

## Stainless Inserts for Masonry Island Kitchens

Design and build a totally functional kitchen with a complete line of high quality door, drawer/door, drawer combinations and pullout cabinetry. The line features the optional Clean-Stor® box that attaches to door fronts to create useful storage and organization.

The Clean-Stor® box eliminates the infamous “masonry black hole” that lurks behind access doors. The steel construction is superior to presently used insert materials that are subject to warping, rotting and mildew. The Clean-Stor® box comes with a shelf and provides clean dry storage.

Doors exhibit the same stainless quality, “heft & weight” and solid close as the modular cabinetry line allowing additional design flexibility by using both lines to create the ideal kitchen while retaining a consistent “look”.

Access Door Inserts may be purchased with just the frame and doors or combined with the “Clean-Stor®” box as a complete unit.



IDR4221-2

IDR1725 & IDR2121 open with Clean-Stor® storage box.

### ACCESS DOORS

ITEM#	DESCRIPTION	CUT OUT SIZE
IDR1725-1	17"W x 25"H Frame, One Flush Access Door	14 <sup>5</sup> / <sub>8</sub> "W x 23 <sup>1</sup> / <sub>2</sub> "H
IDR1621-1	16"W x 21"H Frame, One Flush Access Door	13 <sup>5</sup> / <sub>8</sub> "W x 19 <sup>1</sup> / <sub>2</sub> "H
IDR2121-1	21"W x 21"H Frame, One Flush Access Door	18 <sup>5</sup> / <sub>8</sub> "W x 19 <sup>1</sup> / <sub>2</sub> "H
IDR2721-2	27"W x 21"H Frame, Two Flush Access Doors	24 <sup>5</sup> / <sub>8</sub> "W x 19 <sup>1</sup> / <sub>2</sub> "H
IDR3021-2	30"W x 21"H Frame, Two Flush Access Doors	27 <sup>5</sup> / <sub>8</sub> "W x 19 <sup>1</sup> / <sub>2</sub> "H
IDR3025-2	30"W x 25"H Frame, Two Flush Access Doors	27 <sup>5</sup> / <sub>8</sub> "W x 23 <sup>1</sup> / <sub>2</sub> "H
IDR3621-2	36"W x 21"H Frame, Two Flush Access Doors	33 <sup>5</sup> / <sub>8</sub> "W x 19 <sup>1</sup> / <sub>2</sub> "H
IDR4221-2	42"W x 21"H Frame, Two Flush Access Doors	39 <sup>5</sup> / <sub>8</sub> "W x 19 <sup>1</sup> / <sub>2</sub> "H

### “CLEAN-STOR®” BOX WITH SHELF

Galvanized Storage Box to install behind frame (order at the same time as Access Doors), all Clean-Stor® boxes are 22<sup>1</sup>/<sub>4</sub>" Deep

IDR1725-B	Clean-Stor® storage box for IDR1725
IDR1621-B	Clean-Stor® storage box for IDR1621
IDR2121-B	Clean-Stor® storage box for IDR2121
IDR2721-B	Clean-Stor® storage box for IDR2721
IDR3021-B	Clean-Stor® storage box for IDR3021
IDR3025-B	Clean-Stor® storage box for IDR3025
IDR3621-B	Clean-Stor® storage box for IDR3621
IDR4221-B	Clean-Stor® storage box for IDR4221



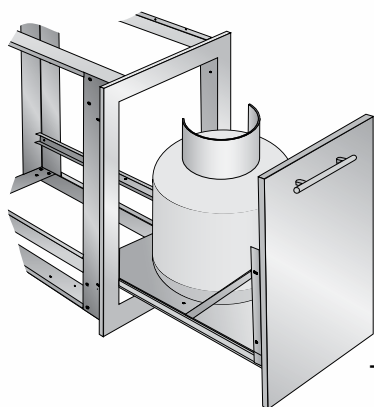
## DRAWER SETS

ITEM#	DESCRIPTION	CUT OUT SIZE
IDW1621-2	16"W x 21"H Frame, 2 drawers w/box	13 <sup>5</sup> / <sub>8</sub> "W x 19 <sup>1</sup> / <sub>2</sub> "H
IDW1630-2	16"W x 30"H Frame, 2 drawers w/box	13 <sup>5</sup> / <sub>8</sub> "W x 28 <sup>1</sup> / <sub>2</sub> "H



## DOOR & DRAWER SETS

ITEM#	DESCRIPTION	CUT OUT SIZE
IC3021-21	30"W x 21"H Frame, 2 drawers, 1 door, 2 separate boxes. Specify drawers on left or right of door.	27 <sup>5</sup> / <sub>8</sub> "W x 19 <sup>1</sup> / <sub>2</sub> "H



Trash and Propane Pullouts

Paper Towel Dispenser

## ACCESSORY INSERTS

ITEM#	DESCRIPTION	CUT OUT SIZE
ITR1725	IDR1725 Frame with Trash Pull Out	14 <sup>5</sup> / <sub>8</sub> "W x 23 <sup>1</sup> / <sub>2</sub> "H
IPR1725	IDR1725 Frame with Propane Pull Out	14 <sup>5</sup> / <sub>8</sub> "W x 23 <sup>1</sup> / <sub>2</sub> "H
IPT1711	17"W x 11"H Paper Towel Dispenser	15 <sup>1</sup> / <sub>2</sub> "W x 8 <sup>5</sup> / <sub>8</sub> "H

# DANVER

STAINLESS OUTDOOR KITCHENS