

DOHC Series Range Hood: 1300 CFM DOHC Series  
Models: 36,48,60

**INSTALLATION INSTRUCTIONS  
USE & CARE GUIDE**



Before beginning installation, please thoroughly read and become familiar with these instructions.

Installation and service must be completed by a qualified installer.

Failure to properly install this product may void the warranty.

Please be advised that the DANVER® DOHC Series Range Hood MAY NOT be installed on a Patio or Lanai area that does not have a roof over the Range Hood to protect it from direct rain or potential water ingress.

---




**Installer: Please leave Installation Instructions with the range hood.**

**Owner: Please keep Installation Instructions for local electrical inspector's use and for future reference.**

---

## Contents




|   |    |
|---|----|
| READ AND SAVE THESE INSTRUCTIONS.....                             | 3  |
| INSTALLATION INSTRUCTIONS .....                                   | 6  |
| PART 1: Planning the Installation .....                           | 6  |
| Hood Dimensions: .....  | 7  |
| PART 2: Electrical Connection.....                                | 8  |
| PART 3: Determining Direction of Vent and Securing the Hood ..... | 9  |
| Mounting Holes: .....   | 9  |
| Duct Cover: .....   | 9  |
| CARE & CLEANING: .....  | 10 |
| Operating Controls: .....   | 10 |
| Removal of Filters: .....   | 10 |
| Cleaning of Filters: .....  | 10 |
| Reinstallation of Filters: .....                                  | 11 |
| Halogen Light Bulbs: .....  | 11 |
| WARRANTY: .....   | 12 |
| What is Covered: .....  | 12 |
| What is Not Covered: .....  | 12 |
| For Service: .....  | 12 |


|   |   |
|---|---|
|  | <b>WARNING:</b> Must be followed carefully to avoid personal injury.                    |
|  | <b>IMPORTANT:</b> Must be followed carefully to avoid damage or incorrect installation. |
|  | <b>TIPS:</b> Contains helpful information to facilitate installation.                   |




## READ AND SAVE THESE INSTRUCTIONS

### Disclaimer

We endeavor to incorporate the best technology provided to our industry, in manufacturing the DANVER<sup>®</sup> products, therefore we reserve the right to change models, mode of operation, and specification without prior notice.

|   |  |
|---|--|
|  | <b>WARNING! TO REDUCE THE RISK OF FIRE, ELECTRICAL SHOCK, OR INJURY TO PERSONS OBSERVE THE FOLLOWING:</b>  |
|   | <ul style="list-style-type: none"> <li>A. Use this unit only in the manner intended by the manufacturer. If you have any questions, please contact the manufacturer at the address or telephone number listed in the warranty.</li> <li>B. Before servicing or cleaning unit, switch power off at service panel and lock service panel and lock the service disconnection means to prevent power from being switch on accidentally. When the service disconnecting means cannot be locked, securely fasten a prominent warning device, such as a tag to the service panel.</li> </ul>                  |
|  | <b>CAUTION</b> For general ventilating use only. Do not use to exhaust hazardous or explosive materials and vapors.  |
|  | <p><b>WARNING! TO REDUCE THE RISK OF A GREASE FIRE:</b></p> <ul style="list-style-type: none"> <li>A. Never leave Grill unattended.</li> <li>B. Grilling greasy or fatty foods can cause flare-ups during cooking. This causes excessive smoke and flare-ups. Please refer to your Barbeque Owner's Manual for safety instructions regarding reducing flare-ups while using your BBQ. Damaged caused by grease fires is NOT covered by the warranty.</li> <li>C. Clean ventilating fans frequently. Grease should not be allowed to accumulate on fan or filter. See cleaning instructions.</li> </ul> |

|   |  |
|---|--|
|   | <p><b>WARNING! TO REDUCE THE RISK OF INJURY TO PERSONS IN THE EVENT OF A GREASE FIRE, OBSERVE THE FOLLOWING:</b></p> <ul style="list-style-type: none"> <li>A. Follow the barbeque grill manufacturer’s instruction when using gas grills, cookers or any propane appliances.</li> <li>B. BE CAREFUL TO PREVENT BURNS. If the flames do not go out immediately, EVACUATE AND CALL THE FIRE DEPARTMENT.</li> <li>C. NEVER PICK UP A FLAMING PAN—YOU MAY BE BURNED.</li> <li>D. DO NOT USE WATER, including wet dish clothes or towels. A violent steam explosion will result.</li> <li>E. Use an extinguisher ONLY if:             <ul style="list-style-type: none"> <li>1. You know you have a Class ABC extinguisher and you already know how to operate it.</li> <li>2. The fire is small and contained in the area where it started.</li> <li>3. The fire department is being called.</li> <li>4. You can fight the fire with your back to an exit.</li> </ul> </li> </ul> |
|  | <p><b>RECOMMENDATIONS:</b></p> <ul style="list-style-type: none"> <li>1. Consult a licensed ventilation contractor or qualified technician for proper installation of exhaust ducting. Locate the cooking area for minimum cross drafts, when possible.</li> <li>2. Ducts must be of adequate size and duct runs should be as short as possible. Where turns are necessary,</li> <li>3. keep turning radius as large and as smooth as possible.</li> <li>4. The ducting must be air tight. Use a minimum of 2 sheet metal screws at every duct joint. Then, seal the duct joints with high quality duct tape.</li> <li>5. Do not use this unit with any solid-state speed control device.</li> <li>6. This unit must be grounded.</li> </ul>   |

|   |  |
|---|--|
|    | <p><b>WARNING! TO REDUCE THE RISK OF FIRE, ELECTRIC SHOCK, OR INJURY TO PERSONS, OBSERVE THE FOLLOWING:</b></p> <ul style="list-style-type: none"> <li>A. Installation work and electrical wiring must be done by qualified person(s) in accordance with all applicable codes and standards, including fire-rated construction codes and standards.</li> <li>B. Please refer to your BBQ owner’s manual for safety instruction regarding the proper use of propane. Follow the equipment manufacturer's guidelines and safety standards such as those published by the National Fire Protection Association (NFPA) and the American Society for Heating, Refrigeration and Air Conditioning Engineers (ASHRAE) and the local code authorities.</li> <li>C. When cutting or drilling into wall or ceiling, do not damage electrical wiring and other hidden utilities.</li> <li>D. Some DANVER® DOHC Series Range Hoods are for wall mounting only. For safe and secure wall mounting, the DANVER® Hood should be mounted to a solid vertical surface of sufficient width to allow for mounting of the Hood. The horizontal surface should extend from a vertical plane to the point directly in front of the exhaust roof cap (or wall cap).</li> <li>E. The Hood should be installed with a MINIMUM of three (3) feet of weather proof roof coverage on all sides that are not protected from direct rain by an adjacent wall.</li> </ul> |
|  | <p><b>WARNING! TO REDUCE THE RISK OF FIRE, USE ONLY METAL DUCTWORK.</b></p>  |
|  | <p><b>CAUTION</b> To reduce the risk of fire and to properly exhaust air, be sure to duct air outside – Do not vent exhaust air into spaces with in walls or ceilings or into attics, crawl spaces, or garages.</p>  |

## INSTALLATION INSTRUCTIONS

### PART 1: Planning the Installation

**CAUTION:**

1. For general ventilating use only. Do not use to exhaust hazardous or explosive materials and vapors.
2. To reduce the risk of fire and to properly exhaust air, the hood must be exhausted to outside air. Never exhaust into a wall, an attic or a concealed area in the building. This can create a potential hazard.
3. Consult a licensed ventilation contractor or qualified technician for proper installation of exhaust ducting.



Code requirements must be observed whenever outdoor built-in gas appliances are installed. Consult with local codes and ordinances regarding the application of your covered, outdoor ventilation hood.

4. Locate the cooking area for minimum cross drafts, when possible.
5. Ducts must be of adequate size and duct runs should be as short as possible. Where turns are necessary, keep turning radius as large and as smooth as possible.
6. The ducting must be air tight. Use a minimum of 2 sheet metal screws at every duct joint. Then, seal the duct joints with high quality duct tape.
7. Only use ductwork constructed of materials deemed acceptable by state, municipal and local codes.
8. Plan the installation so that all minimum clearances are met or exceeded. Dimensions shown provide minimum clearances, unless otherwise specified.



**IMPORTANT:** If the DANVER® DOHC Series Range Hood is installed as a liner for a wood hood, proper installation of the hood as a liner is directly related to the material from which the custom canopy is constructed. You must provide structural framing and tight backing in the areas in which you are securing the hood inside your custom canopy. Failure to do so could distort and damage the hood and void the warranty.

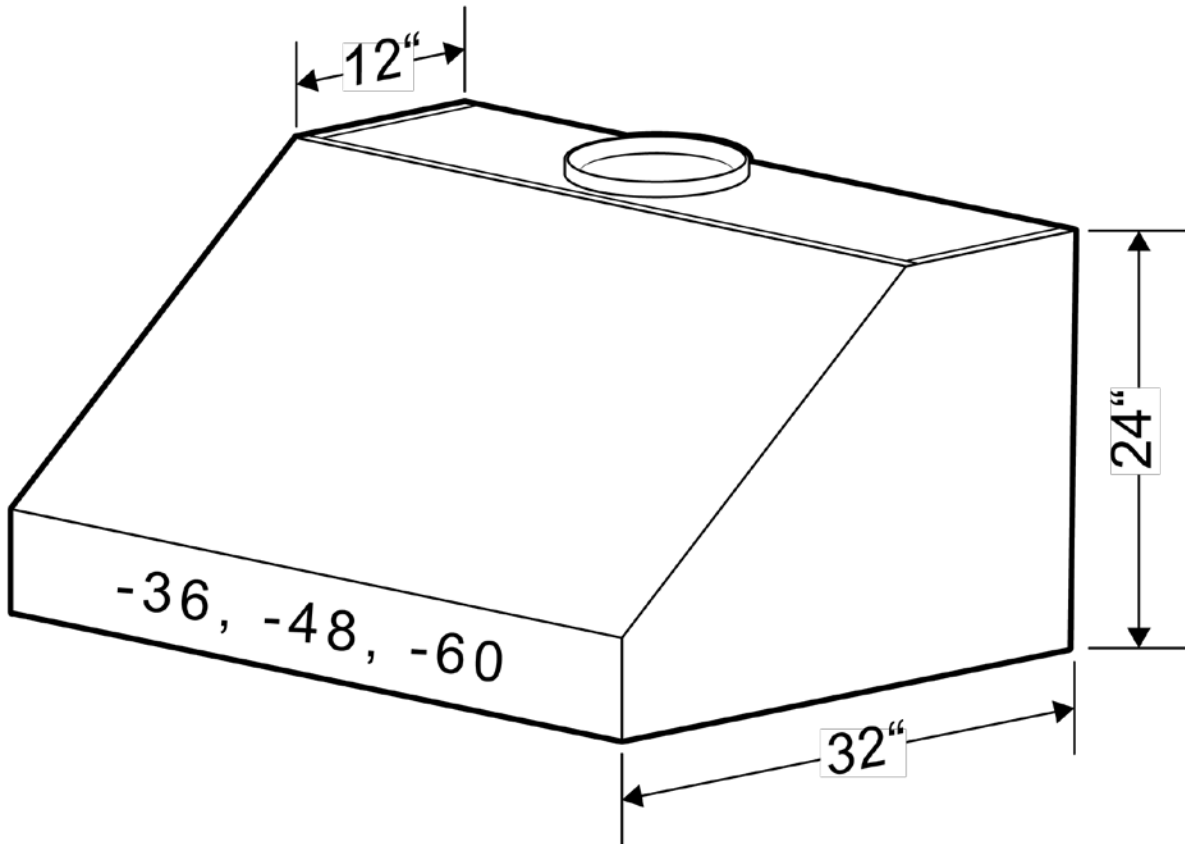


**WARNING!** Following Are Manufacturer's Suggestions. Always Observe Local Building Codes. Hoods installed in custom canopies constructed of combustible materials should be installed with the combustible material structure a minimum of 36" above the cooking surface. Hoods installed in custom canopies constructed of non-combustible materials, should be installed with the non-combustible material structure a minimum of 30" above the cooking surface. Follow all instructions regarding minimum safe clearances and installation location. Failure to do so may result in a safety hazard or fire. To reduce the risk of fire use only metal ductwork.

Hood Dimensions:



IMPORTANT: Hood is 1/8" narrower than widths shown below.



**WARNING! The Following Are Manufacturer's Suggestions. Always Observe Local Building Codes.** Hoods installed in custom canopies constructed of combustible materials should be installed with the combustible material structure a minimum of 36" above the cooking surface. Hoods installed in custom canopies constructed of non-combustible materials, should be installed with the non-combustible material structure a minimum of 30" above the cooking surface. Follow all instructions regarding minimum safe clearances and installation location. Failure to do so may result in a safety hazard or fire. To reduce the risk of fire use only metal ductwork.

## PART 2: Electrical Connection

**WARNING!** Ensure that the power supply is disconnected before proceeding. Verify that the power supply matches the ratings found on the appliance data label before proceeding. The complete appliance must be properly grounded at all times when electrical power is applied. Do not ground the appliance with the neutral (white) house supply wire. A separate ground wire must be utilized. Failure to complete electrical connections properly may result in damaged or non-functional systems. Follow instructions carefully to ensure proper installation.



**It is the owner's responsibility to ensure that a qualified person performs the electrical connection of this appliance. The electrical installation, including minimum supply wire size, must comply with the National Electric Code ANSI/NFPA 70-1990 (or latest revision) and local codes and ordinances. A copy of this standard may be obtained from:**

National Fire Protection Association, 1 Batterymarch Park, Quincy, Massachusetts 02169-7471

**Important Electrical Requirements:** Observe all National and local governing codes and ordinances. Have all electrical installation done by a qualified electrical installer. This Hood requires a 120 Volt, 60 Hertz electrical supply of an individual properly grounded branch circuit protected by a 15 or 20 Amp circuit breaker. The

DANVER® DOHC Series Range Hood is supplied with a 6.0 Amp three speed fan control.

**Suitable for damp location when installed in a GFCI protected branch circuit.**

### Wiring Instructions:

There are 3 wires on the front panel that require connection. (See Diagram Below)

|              |   |  |
|--------------|---|--|
| <b>BLACK</b> | 120 VAC from electrical panel (usually black)   |  |
| <b>WHITE</b> | Neutral from electrical panel (white)   |  |
| <b>GREEN</b> | Ground from electrical panel (usually green)  |  |
|              | <p><b>CAUTION:</b> The neutral wire (white) must only be connected to the white neutral wire coming in from the electrical panel.</p> |  |



## PART 3: Determining Direction of Vent and Securing the Hood

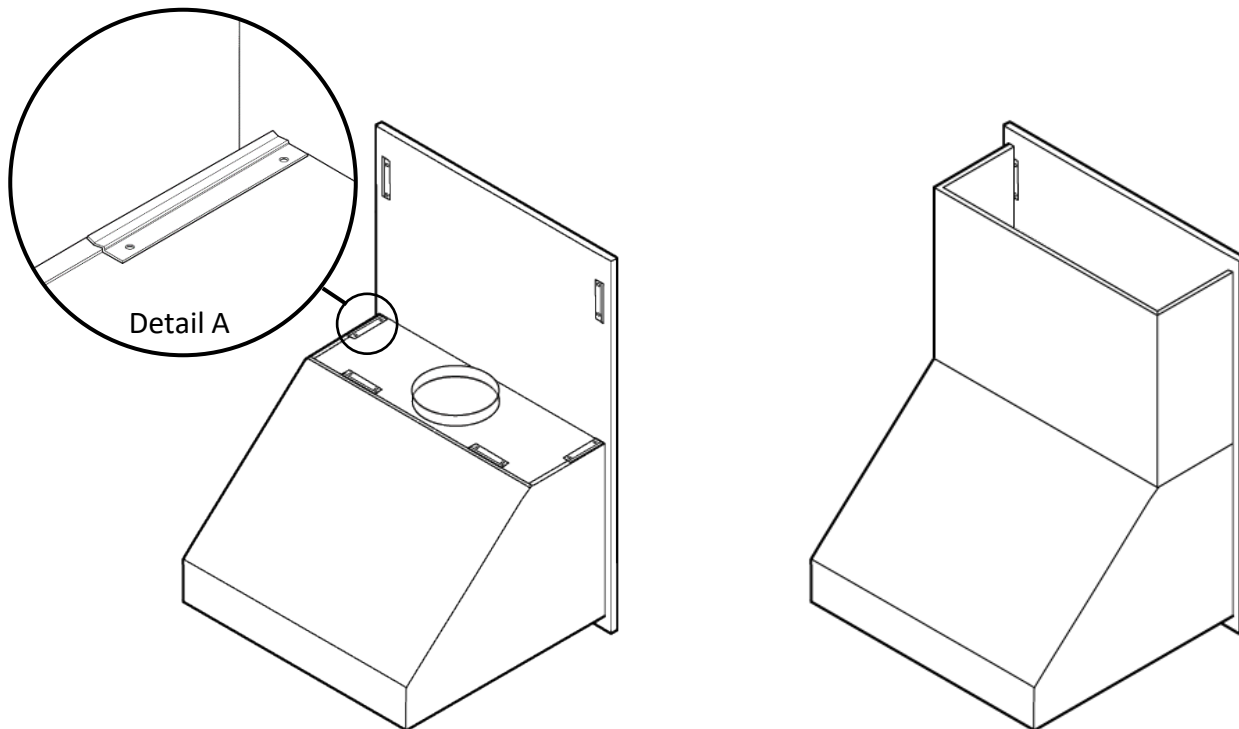
### Mounting Holes:

Because the DANVER® DOHC Series Range Hood was designed for all applications, no mounting holes have been pre-drilled. This allows for custom applications for mounting. The hood should be attached to the framing through the top and back, whenever possible. Remove the filters. Mark and drill screw holes through the hood as required. Secure the hood by driving screws (provided by others) through the screw holes.



**NOTE: DRILLING THROUGH STAINLESS STEEL REQUIRES TITANIUM DRILL BITS. BE CAREFUL NOT TO DRILL THROUGH THE UL LABEL OR INTO THE HOOD'S ELECTRICAL COMPONENTS.**

### Duct Cover:



- Drill 5/32" holes and install 4 brackets on hood with screws supplied.
- Mount 2 brackets to wall using customer supplied hardware. Centerline of holes is 2" less than width of hood, so a 36" hood has a 34" hole spacing.
- Install Duct Cover over brackets.



**Important.** Make sure hood is square to wall.

## CARE & CLEANING:

### Operating Controls:

- Always activate the ventilator when using cooking appliances. Activate the ventilator a few minutes before starting to cook to establish an airflow pattern within the area.
- Adjust the fan speed as needed.
- Adjust the dimmable halogen lights as desired.



**WARNING!** Do NOT operate the blower / ventilator system without the filters in place, or with dirty, grease laden filters.



**ENERGY SAVING TIPS:** Do not operate the blower at a speed higher than necessary to remove the cooking exhaust. Turn off the unit once the smoke and cooking odors have been eliminated. Clean filters and grease laden surfaces often to improve efficiency.

Proper cleaning is necessary to maintain performance and appearance, while also ensuring safe operation.

The frequency of cleaning should be adjusted according to the type and amount of use. Best results will be achieved by cleaning soiled components as soon as possible. Filters must be cleaned regularly.

- Stainless steel surfaces should be cleaned with a solution of mild detergent and warm water. Rinse and dry with a soft lint-free cloth.

### Removal of Filters:

- Remove one filter at a time by firmly pressing the filter up, then slide toward the front.
- Slowly release the upward pressure and grasp the rear of the filter to remove it.

### Cleaning of Filters:

- The filters may be cleaned by hand washing in hot water using a mild detergent solution, or by placing them in a dishwasher. Dry the filters completely before using again.

## Reinstallation of Filters:

- To reinstall the filter, place the front edge of the filter into the front filter bracket, press upward, and then slide filter into the back-filter bracket. The commercial-style baffle filters should have the long slots running front to back.

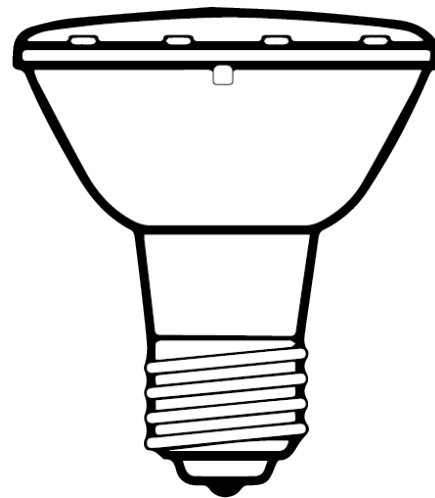


**CAUTION:** If a commercially available stainless-steel cleaner is used, it is important to read the labels for chlorine compounds. Chlorine is a corrosive substance. If these compounds are present, rinse thoroughly and dry with a soft lint-free cloth. Follow polish manufacturer's instructions. Always wipe stainless steel surfaces with the grain.

Never wipe across the grain. After cleaning, reinstall the filters carefully. Most common scrubber type pads will scratch the hood.

## Halogen Light Bulbs:

Hoods are designed for PAR 20 halogen lamps.  
Lamps can be purchased at most home supply and/or grocery stores.



WARRANTY:

**DANVER® DOHC Series Range Hood Ventilation Products**

What is Covered:

Danver, Inc. warrants its DANVER® DOHC Series Range Hood ventilation products to the original user, to be free of defects in materials and workmanship for one (1) year from the date of purchase.

Danver, Inc., at its option, will repair or replace the complete unit or any defective component without charge. This warranty may be voided if any unauthorized service, alterations or repairs are made to the product.

What is Not Covered:

- Normal maintenance and service of any product that has been subject to misuse, negligence, accident or installation inconsistent with the recommended installation instructions.
- Product used other than for normal in-home, covered patio use or products used outside of the United States.
- Damage to the product caused by accident, fire, flood or other acts of God.
- Service calls to educate the customer in the proper use and care of the product, correct faulty installation, change fuses or reset breakers.

Danver, Inc. disclaims and excludes any liability for implied warranties or for incidental or consequential damages wherever permitted by law. There are no implied warranties of merchantability or fitness for a particular use or purpose. This warranty gives you specific legal rights and you may also have other rights, which vary from state to state.

For Service:

If you need service, contact Customer Service at the address or phone number below. Provide the model number, part identification and details of the problem. Proof of purchase must be provided.

Warranty Revised 07/24/09

Danver, Inc. has a policy of continuous improvements and reserves the right to modify (at any time and without notice) any or all of its products, features, designs, components and specifications. Some features may be slightly different than shown on product literature.

For more information, please contact your Danver® Representative

One Grand Street, Wallingford, CT 06492  
888-441-0537 Toll Free: ext. 100 or 141  
203-269-2300 (CT)  
203-625-6190 FAX  
[Sales@danver.com](mailto:Sales@danver.com)  
[www.danver.com](http://www.danver.com)