

DANVER

STAINLESS
OUTDOOR
KITCHENS

Trex® Outdoor Kitchens™

BROWN JORDAN
OUTDOOR
KITCHENS™



Specification Guide: Outdoor Kitchen Cabinets

Table of Contents

Style and Construction	8
Corner Base Cabinets - Angle End: AEB	10
Corner Base Cabinets - Blind Corner Base: BCBxxxx	11
Corner Base Cabinets - Diagonal Corner: DCBxx, DCBSxx	12
Storage Base Cabinets	13
Storage Base Cabinets - Drawer/Door Base: OBDxxxx	14
Storage Base Cabinets - Full Height Doors: OBFxxxx	15
Storage Base Cabinets - Open Base Cabinet: OBFxx00	16
Storage Base Cabinets - Multi-Drawer: OBMxx10 and OBMxx20	17
Storage Base Cabinets - Multi-Drawer: OBMxx30 and OBMxx40	18
Storage Base Cabinets - Multi-Drawer Tecno, Nested	19
Sink Base Cabinets - OBSxxxx	20
Sink Base Cabinets - False Front: OBSxx01, OBSxx02	21
Sink Base Cabinets - Full Height Door: OBSxxxx-FHD	22
Sink Base Cabinets - Farm and Galley Bases	23
Sink Base Cabinets - ADA	24
Sink Base Cabinets - ADA Sink Space	25
Trash Base Cabinets - OBTxxxx	26
Trash Base Cabinets - Large: OBTxxxxL	27
Post and Panel System - PPS SUPPORT MID, END	28
Post and Panel System - PPS SPACER	29
Post and Panel System - PPS SPACER	30

Table of Contents

Side Burner Base Cabinets	31
Side Burner Base - OBBxxxx: 1 Door, 2 Door, 2 Drawer	32
Side Burner Base - 11"H Shelf: OBBxxxxD	33
Side Burner Base - 12.5"H Shelf: OBBxxxxW	34
Side Burner Base - 15.5"H Shelf: OBBxxxx LOW	35
Bartending Center Cabinets - OBCxx01 and OBCxx02	36
Bartending Center Cabinets - 11"H Shelf: OBCxx01D, OBCxx02D	37
Warming Drawer Base Cabinets - OBWxx02, OBWxx10	38
Warming Drawer Base - OBWxx02D, OBWxx10D	39
Egg Base Cabinets - OEBxx02 H18, OEBxx02 H22	40
Egg Base Cabinets - Extra Large, Diagonal Corner: DCBxx	41
Grill Cabinets - OGBxxxx	42
Grill Cabinets - Doors: OGBxx02, OGBxx03	43
Grill Cabinets - Drawers/Doors	44
Grill Cabinets - Full-Height Drawers: OGBxx20, OGBxx30	45
Grill Cabinets - Drawers: OGBxx40, OGBxx60	46
Grill Cabinets - EVO: OGBxxxx-EVO	47
Grill Cabinets - 11"H Shelf: OGBxx02D, OGBxx03D	48
Grill Cabinets - 11"H Shelf: OGBxx40D, OGBxx60D	49
Grill Cabinets - 11"H Shelf: Drawers/Doors	50
Grill Cabinets - 11"H Shelf: OGBxx20D, OGBxx30D	51
Grill Cabinets - 12.5"H Shelf: OGBxx02W, OGBxx03W	52

Table of Contents

Grill Storage Cabinets - 12.5"H Shelf: OGBxxxxW	55
Grill Cabinets - 18.5"H Shelf: OGBxx20HB, OGBxx30HB	56
Grill Cabinets - OGBxx20-CALIBER ROCKWELL	57
Grill Cabinets - Gas Stop Timer	58
Grill Cabinets - Tecno Style	59
Grill/Large Insert Cabinets - OGFxx00	60
Grill/Warming Drawer Cabinets - OGWxx00, OGWxx10	61
Grill/Warming Drawer Cabinets - OGxx20, OGWxx30	62
Grill/Warming Drawer Cabinets - OGWxx01, OGWxx11	63
Grill/Warming Drawer Cabinets - 11"H Shelf: OGWxxxxD	64
Grill/Warming Drawer Cabinets - 11"H Shelf: Door, Drawers/Door	65
Grill/Warming Drawer Cabinets - 11"H Shelf: 3 Drawers	66
Viking Grill Cabinets - VGBxxxx	67
Viking Grill Cabinets - VGBxx02, VGBxx03	68
Viking Side Burner Base Cabinets - VBBxx01, VBBxx02	69
Tall Storage Cabinets - TBxxxx	70
Tall Storage Cabinets - Full-Height Doors: TBxxxx-FHD	71
Tall Storage Cabinets - TBxxxx 2 doors	72
Tall Storage Cabinets - TBxxxx 4 doors	73
Tall Oven Cabinets: TTxxxx - 2 Doors, 2 Drawers	74
Tall Cabinet Accessories - Fillers: TFLF	75
Tall Cabinet Accessories - Side Panels: OSPT xxxxL/R	76

Table of Contents

Cabinet Accessories - Half and Full-Depth Shelves: OSH	77
Cabinet Accessories - Pullout Shelving	78
Cabinet Accessories - Pullout Shelving	79
Cabinet Accessories - Trash Pullout: OTP	80
Cabinet Accessories - Propane Pullout: OPP	81
Cabinet Accessories - Undercounter Appliance Parts	82
Cabinet Accessories - Undercounter Appliance Spacers: ORS	83
Cabinet Accessories - Countertop Support Columns: ORP/OBX	84
Cabinet Accessories - ORP/OBX with electrical cutout	85
Cabinet Accessories - ORP/OBX for OCS Countertop Support	86
Cabinet Accessories - ORP Decorative Side Panels	87
Cabinet Accessories - ORP Depth Skin: ORPS, OBX Width Skin: OBXF	88
Cabinet Accessories - Corner Void Support System: OAR90xx	89
Cabinet Accessories - OAR90XX Access	90
Cabinet Accessories - Front Corner Fillers: OAF90/45xx	91
Cabinet Accessories - Front Fillers: OFLxx, Rear Fillers: OFL xx	92
Cabinet Accessories - Front/Rear Fillers with GFCI cutout	93
Cabinet Accessories - Undercounter Appliance Filler, Access Door Fillers	94
Cabinet Accessories - Countertop Span Support: OCS	95
Cabinet Accessories - Countertop Support Piers: OCPxx	96
Cabinet Accessories - Countertop Support Piers: OCPSxx	97
Cabinet Accessories - Side Panels: OSP	98

Table of Contents

Cabinet Accessories - OSP Extended	99
Cabinet Accessories - Flush End Panels: OFE xxL/R, OFEGFxx	100
Cabinet Accessories - Back Panels: OBP	101
Cabinet Accessories - Vented Back Panels: OBPV	102
Cabinet Accessories - Galvanized Vented Back Panels: OBPVGF	103
Cabinet Accessories - Equal Back Panels	104
Cabinet Accessories - Extended Back Panels: OBP EXT	105
Cabinet Accessories - Appliance Overlay Panels, Locks	106
Cabinet Accessories - Sink Covers: SCxxxx	107
Cabinet Accessories - Handles	108
Cabinet Accessories - Pull Tab Handles	109
Cabinet Accessories - Legs	110
Cabinet Accessories - Stainless Legs: SSLEGS, Wall Leg Kit	111
Cabinet Accessories - Toe Kick: OTK	112
Elements by Tecno™	113
Elements by Tecno™ - Powder Coat Guide	114
Elements by Tecno™ - Side Burner Base	116
Elements by Tecno™ - Full-Height Door, Garage	117
Elements by Tecno™ - Multi-Drawer, Pass-Through	118
Elements by Tecno™ - Sink Base, Trash Cabinet	119
Elements by Tecno™ - Grill Cabinets	120
Elements by Tecno™ - Side Panels: ELEM OSP L-R	121

Table of Contents

Elements by Tecno™ - Transition	122
Wall Cabinets - WSxxxx	123
Wall Cabinets - Single door	125
Wall Cabinets - Double door	126
Wall Cabinets - 24" Deep: WSxxxx-24	127
Wall Cabinets - Microwave: MWCxxxx	128
Wall Cabinets - Diagonal: DCWxx, Blind Corner: WBxxxx	129
Wall Cabinets - Side Panels, Flush End Panels: WSP/WFE	130
Wall Accessories - Front Fillers, Corner Fillers: WFL/WFC	131
Wall Accessories - Light Rail, PVC Cleat	132
Island Insert Cabinets - IDRxxxx-x	133
Island Insert Cabinets - Access Door	134
Island Insert Cabinets - Clean-Stor® Box with Shelf	135
Island Insert Cabinets - Clean-Stor® Box Drawer Sets: IDW	136
Island Insert Cabinets - Accessories	137
Cabinet Door Styles - Danver	138
Cabinet Door Styles - Brown Jordan Outdoor Kitchens	139
Cabinet Door Styles - Trex Outdoor Kitchens	141



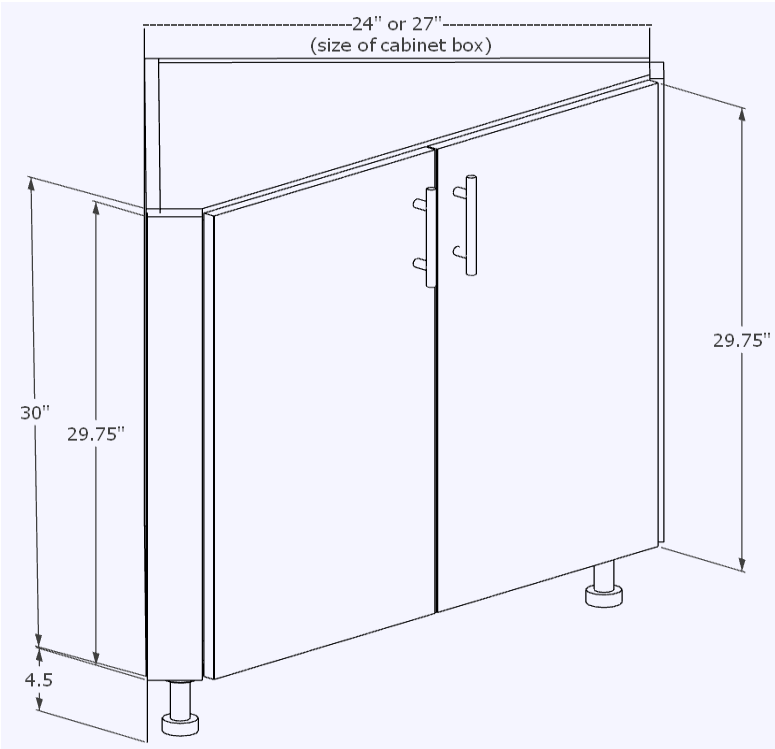
Style and Construction

- All standard doors, drawers and cabinet boxes are manufactured from 20g 304 stainless steel or choose to upgrade to 316 marine grade.
- European frameless, solid top construction with full overlay doors.
- Standard 30" high cabinet boxes plus 4.5" leveling legs (adjustable from 3.75" to 5.75") or 2-2.75" (ADA) leg heights.
- Cabinet depths are standard 27.88" or optional 24.88", which includes the door.
- Concealed door hinges, full extension, soft-close drawer glides on residential projects.
- Magnetic door closures and rain gaskets are standard on cabinetry.
- #2 matte finish interior standard on Denver Stainless Outdoor Kitchen cabinets.
- #4 brushed finish interior standard on Brown Jordan Outdoor Kitchen cabinets.

Cabinet Options

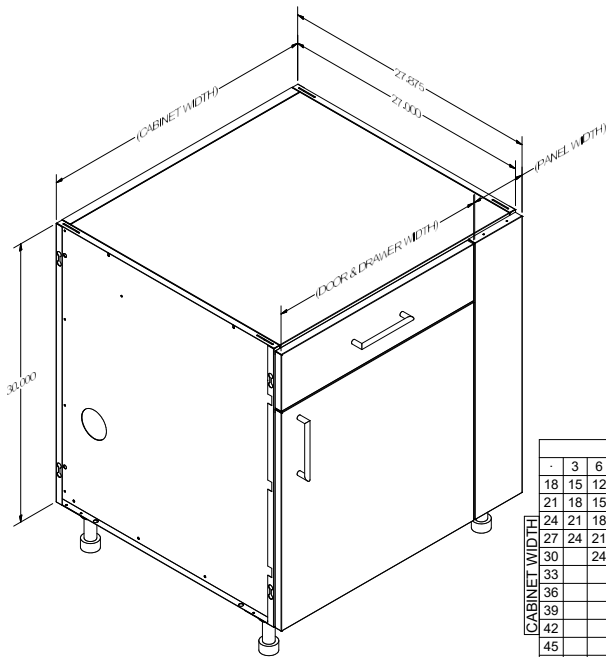
- Shelving options: half depth standard, full depth, roll out or heavy duty available.
- Incremental 3" widths starting at 9" and heights starting at 12".
- Available in a variety of door style options.
- Powder coated finishes in solid colors along with woodgrain and stone looks.
- Finished backs and sides are available for stand alone island installations.
- Pre-cut access holes to accommodate plumbing, electrical and required ventilation.

Corner Base Cabinets - Angle End: AEB



Product Description	
AEBxx02: Angle End Corner Base, 2 Doors. Includes shelf.	
NOTE: 27" cabinets door width 16.81"	
24" cabinet door width 14.69"	
27" Depth SKU	24" Depth SKU
AEB2702	AEB2402

Corner Base Cabinets - Blind Corner Base: BCBxxxx



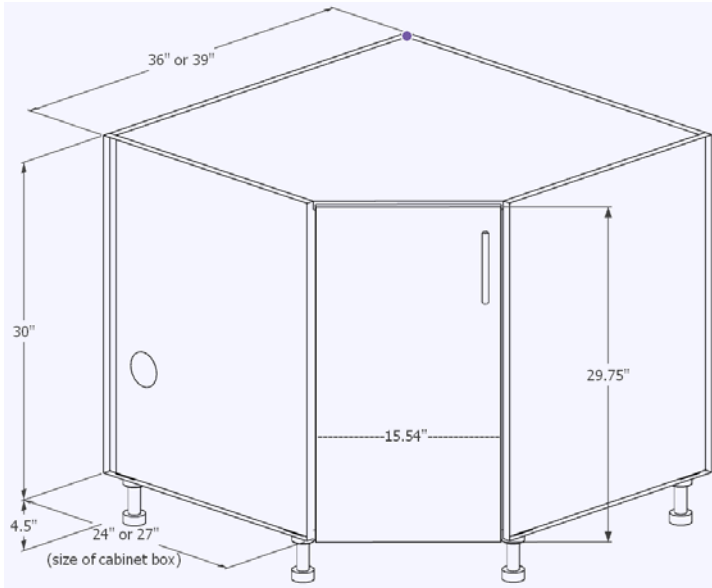
BCBxx01
&
BCBxx11

		PANEL WIDTH												
		3	6	9	12	15	18	21	24	27	30	33	36	39
CABINET WIDTH	18	15	12	9										
	21	18	15	12	9									
	24	21 <td>18</td> <td>15</td> <td>12</td> <td>9</td> <td></td> <td></td> <td></td> <td></td> <td></td> <td></td> <td></td> <td></td>	18	15	12	9								
	27	24	21	18	15	12	9							
	30		24	21	18	15	12	9						
	33			24	21	18	15	12	9					
	36				24	21	18	15	12	9				
	39					24	21	18	15	12	9			
	42						24	21	18	15	12	9		
	45							24	21	18	15	12	9	
48								24	21	18	15	12	9	

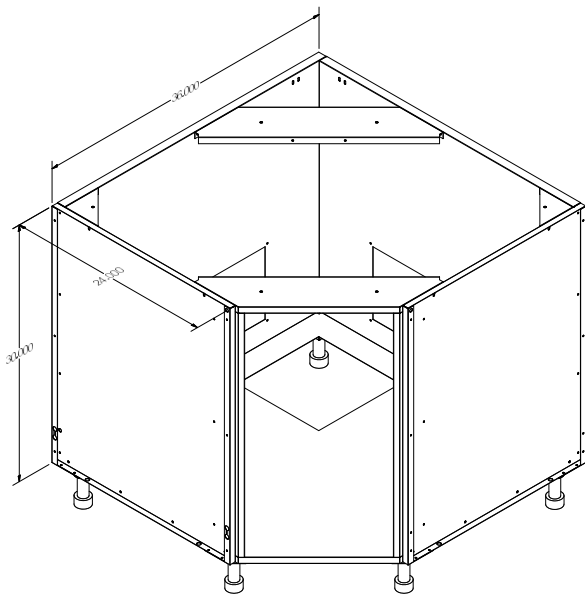
Product Description	
BCBxx01: Blind Corner Base, 1 door, includes half-depth shelf.	
27" Depth SKU	24" Depth SKU
BCB3001-LH	BCB3001-24-LH
BCB3001-RH	BCB3001-24-RH
BCB3601-LH	BCB3601-24-LH
BCB3601-RH	BCB3601-24-RH
BCB4201-LH	BCB4201-24-LH
BCB4201-RH	BCB4201-24-RH
BCB4501-LH	BCB4501-24-LH
BCB4501-RH	BCB4501-24-RH
BCB4801-LH	BCB4801-24-LH
BCB4801-RH	BCB4801-24-RH

Product Description	
BCBxx11: Blind Corner Base, 1 drawer, 1 door, includes half-depth shelf.	
27" Depth SKU	24" Depth SKU
BCB3011-LH	BCB3011-24-LH
BCB3011-RH	BCB3011-24-RH
BCB3611-LH	BCB3611-24-LH
BCB3611-RH	BCB3611-24-RH
BCB4211-LH	BCB4211-24-LH
BCB4211-RH	BCB4211-24-RH
BCB4511-LH	BCB4511-24-LH
BCB4511-RH	BCB4511-24-RH
BCB4811-LH	BCB4811-24-LH
BCB4811-RH	BCB4811-24-RH

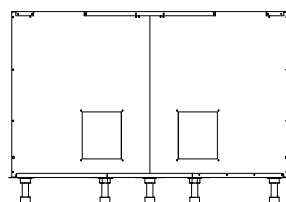
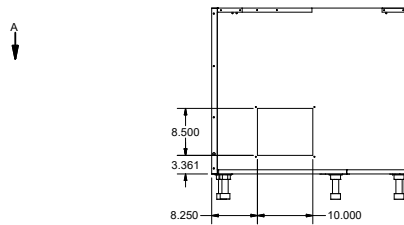
Corner Base Cabinets - Diagonal Corner: DCBxx, DCBSxx



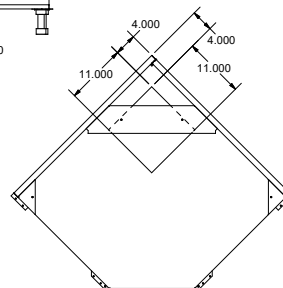
Product Description	
DCBxx: Diagonal Corner Base, 1 Door. DCB39 matches cabinets of 27" depth, DCB36 matches cabinets of 24" depth.	
27" Depth SKU	24" Depth SKU
DCB39-LH	DCB36-LH
DCB39-RH	DCB36-RH



Product Description	
DCBxx: Diagonal Corner Sink Base, 1 Door. DCBS39 matches cabinets of 27" depth, DCBS36 matches cabinets of 24" depth.	
27" Depth SKU	24" Depth SKU
DCBS39-LH	DCBS36-LH
DCBS39-RH	DCBS36-RH



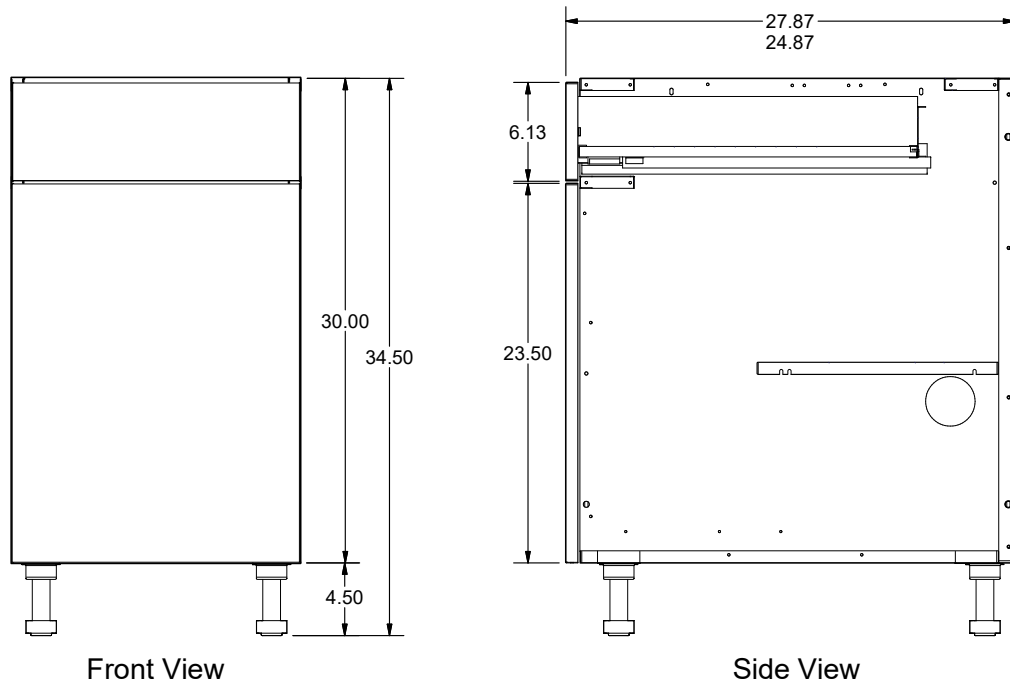
FRONT VIEW



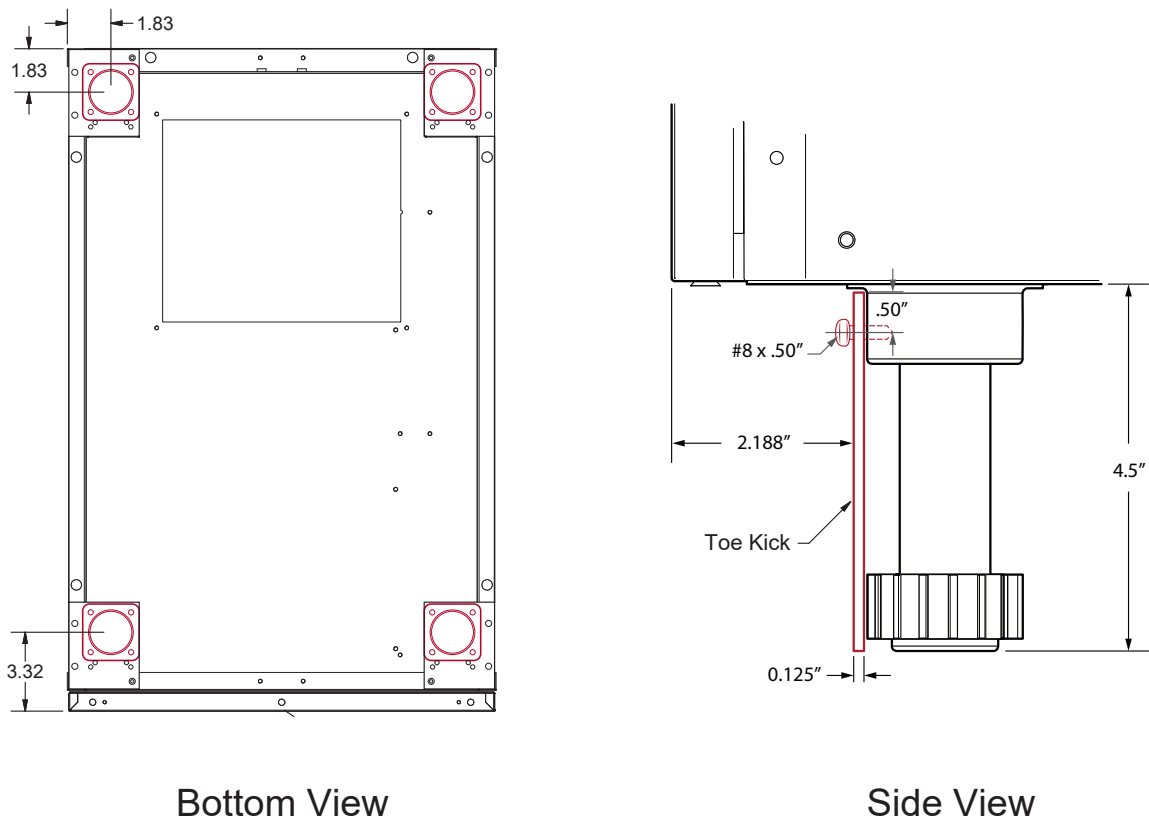
TOP VIEW

Storage Base Cabinets

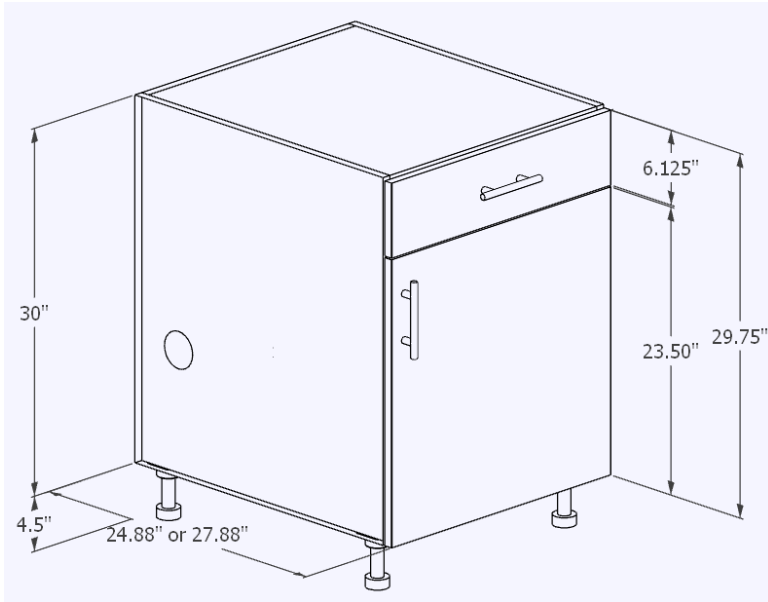
Typical measurements for base storage cabinets.



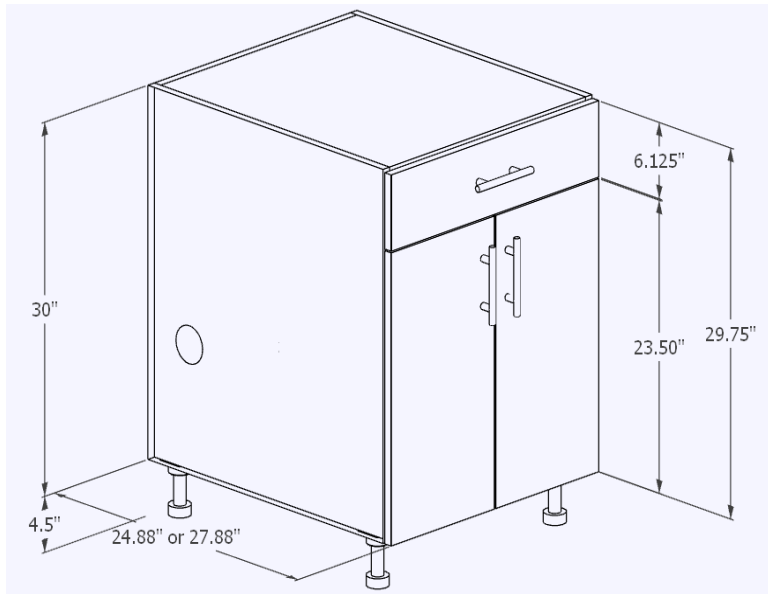
Typical cabinet foot location.



Storage Base Cabinets - Drawer/Door Base: OBDxxxx

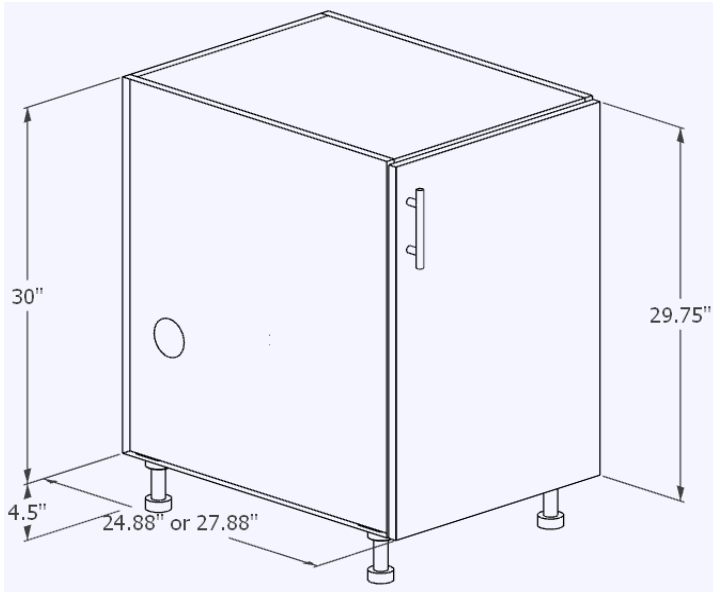


Product Description	
OBD: Drawer/door base, 1 door, 1 upper drawer, includes half-depth shelf.	
27" Depth SKU	24" Depth SKU
OBD0911-LH	OBD0911-24-LH
OBD0911-RH	OBD0911-24-RH
OBD1211-LH	OBD1211-24-LH
OBD1211-RH	OBD1211-24-RH
OBD1511-LH	OBD1511-24-LH
OBD1511-RH	OBD1511-24-RH
OBD1811-LH	OBD1811-24-LH
OBD1811-RH	OBD1811-24-RH
OBD2111-LH	OBD2111-24-LH
OBD2111-RH	OBD2111-24-RH
OBD2411-LH	OBD2411-24-LH
OBD2411-RH	OBD2411-24-RH

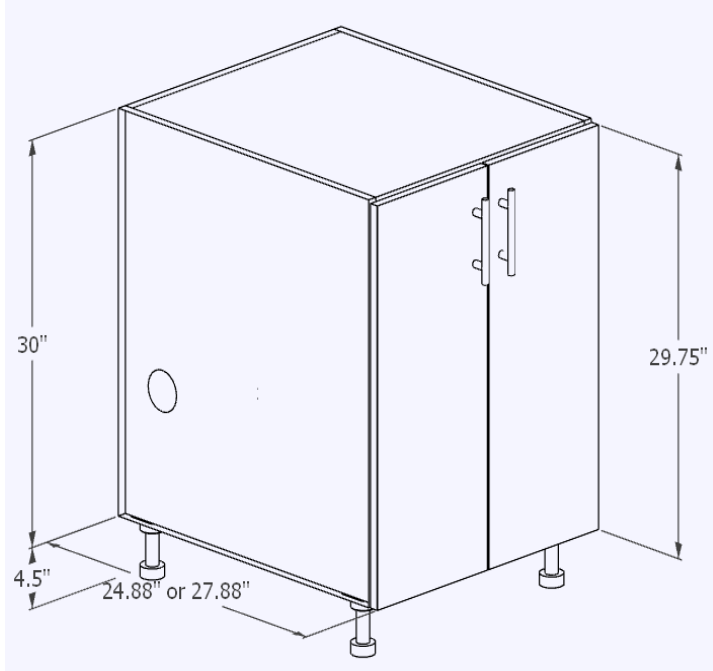


Product Description	
OBD: Drawer/doors base, 1 upper drawer, 2 doors, includes half-depth shelf.	
27" Depth SKU	24" Depth SKU
OBD2412	OBD2412-24
OBD2712	OBD2712-24
OBD3012	OBD3012-24
OBD3312	OBD3312-24
OBD3612	OBD3612-24
OBD3912	OBD3912-24

Storage Base Cabinets - Full Height Doors: OBFxxxx



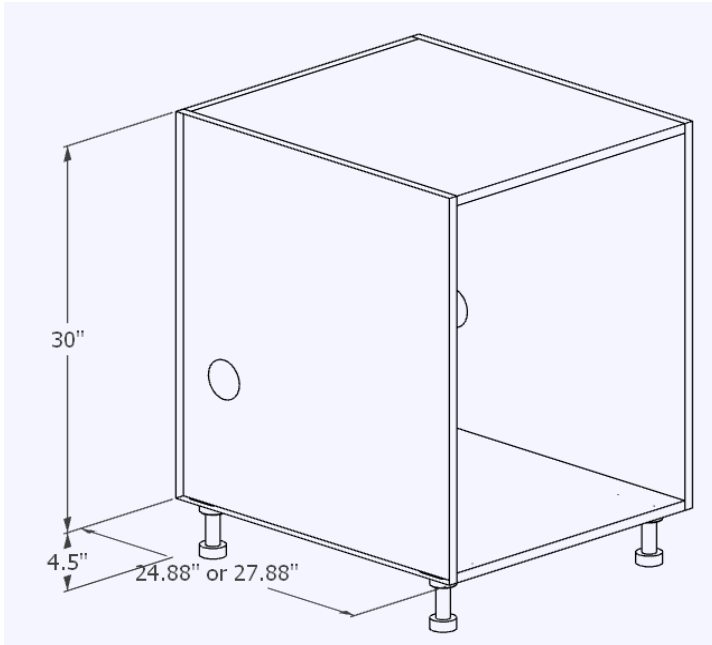
Product Description	
OBF: Full height door base, 1 door, includes half-depth shelf.	
27" Depth SKU	24" Depth SKU
OBF0901-LH	OBF0901-24-LH
OBF0901-RH	OBF0901-24-RH
OBF1201-LH	OBF1201-24-LH
OBF1201-RH	OBF1201-24-RH
OBF1501-LH	OBF1501-24-LH
OBF1501-RH	OBF1501-24-RH
OBF1801-LH	OBF1801-24-LH
OBF1801-RH	OBF1801-24-RH
OBF2101-LH	OBF2101-24-LH
OBF2101-RH	OBF2101-24-RH
OBF2401-LH	OBF2401-24-LH
OBF2401-RH	OBF2401-24-RH



Product Description	
OBF: Full height door base, 2 doors, includes half-depth shelf.	
27" Depth SKU	24" Depth SKU
OBF2402	OBF2402-24
OBF2702	OBF2702-24
OBF3002	OBF3002-24
OBF3302	OBF3302-24
OBF3602	OBF3602-24
OBF3902	OBF3902-24
OBF4202	OBF4202-24
OBF4502	OBF4502-24
OBF4802	OBF4802-24
OBF5202	OBF5202-24

NOTE: Cabinet boxes are 30" high plus 4.5" leveling legs or 2" (ADA) leg heights.

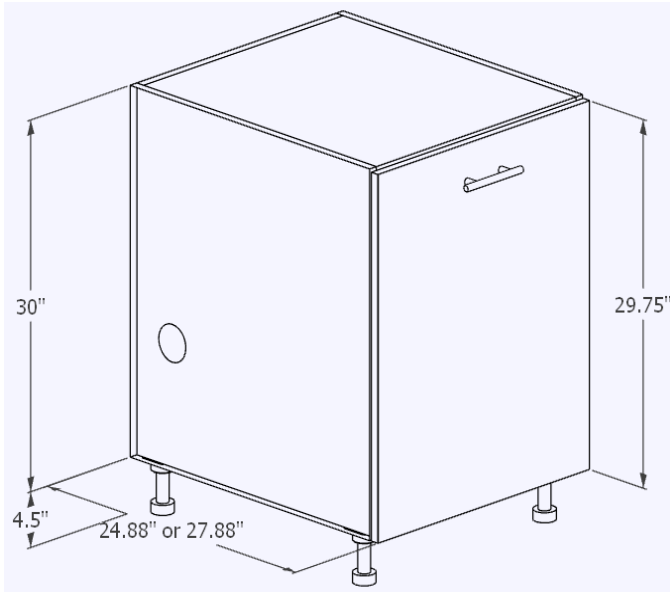
Storage Base Cabinets - Open Base Cabinet: OBFxx00



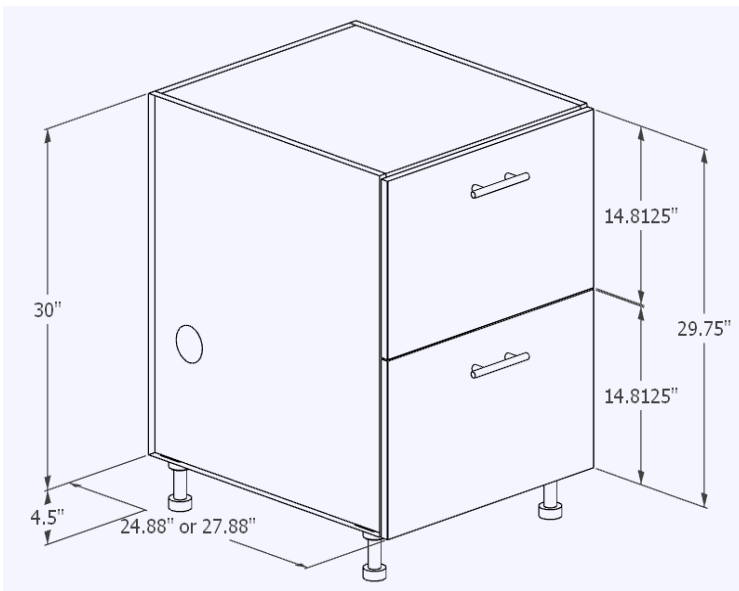
OBFxx00 cabinet box depth is 24.88"D or 27.88"D to match total depth of standard cabinets with fronts. Flush end panels (OFE) are available to finish the exposed side portion that is seen for when these OBFxx00 bases are placed next to standard bases.

Product Description	
OBFxx00: Open base cabinet, #4 brushed finish, No drawers/doors, no holes on interior,. Includes full-depth shelf.	
27" Depth SKU	24" Depth SKU
OBF0900	OBF0900-24
OBF1200	OBF1200-24
OBF1500	OBF1500-24
OBF1800	OBF1800-24
OBF2100	OBF2100-24
OBF2400	OBF2400-24
OBF2700	OBF2700-24
OBF3300	OBF3300-24
OBF3600	OBF3600-24
OBF3900	OBF3900-24
OBF4200	OBF4200-24
OBF4500	OBF4500-24
OBF4800	OBF4800-24
OBF5200	OBF5200-24

Storage Base Cabinets - Multi-Drawer: OBMxx10 and OBMxx20

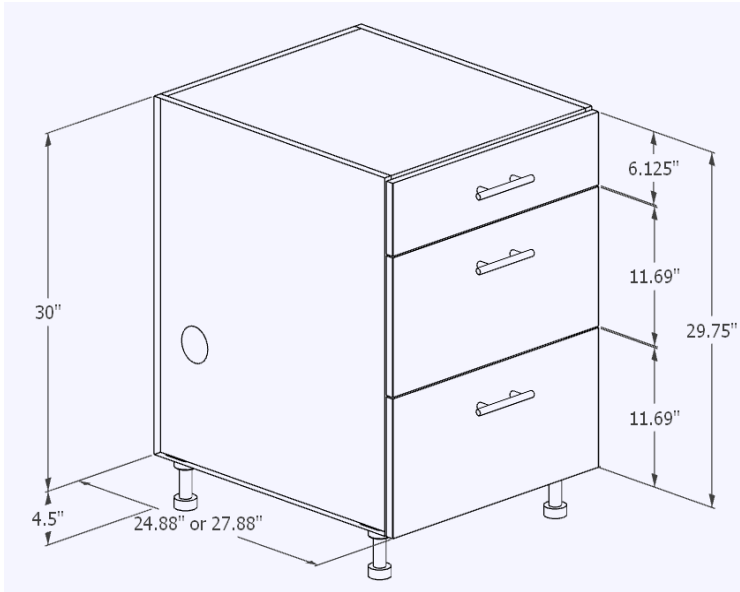


Product Description	
OBMxx10: 1 Full-Height drawer front attached to a large drawer.	
27" Depth SKU	24" Depth SKU
OBM0910	OBM0910-24
OBM1210	OBM1210-24
OBM1510	OBM1510-24
OBM1810	OBM1810-24
OBM2110	OBM2110-24
OBM2410	OBM2410-24
OBM2710	OBM2710-24
OBM3010	OBM3010-24

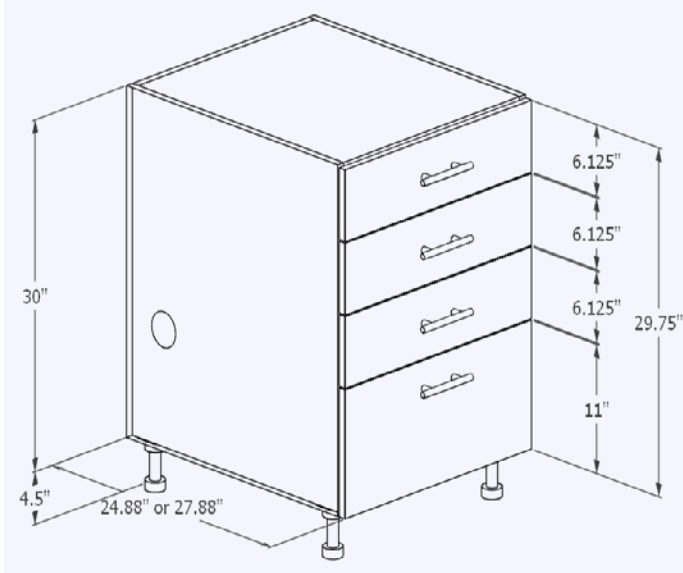


Product Description	
OBMxx20: Multi-Drawer Base, 2 Drawers	
27" Depth SKU	24" Depth SKU
OBM0920	OBM0920-24
OBM1220	OBM1220-24
OBM1520	OBM1520-24
OBM1820	OBM1820-24
OBM2120	OBM2120-24
OBM2420	OBM2420-24
OBM2720	OBM2720-24
OBM3020	OBM3020-24
OBM3320	OBM3320-24
OBM3620	OBM3620-24

Storage Base Cabinets - Multi-Drawer: OBMxx30 and OBMxx40

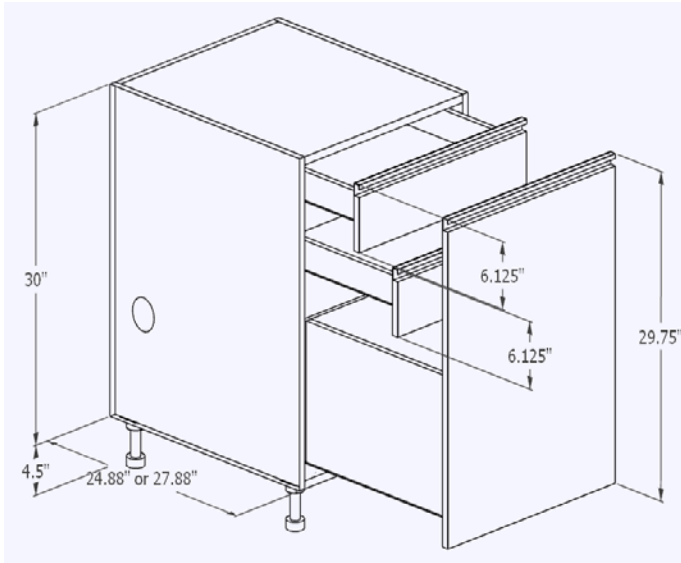


Product Description	
OBMxx30: Multi-Drawer Base, 3 Drawers	
27" Depth SKU	24" Depth SKU
OBM0930	OBM0930-24
OBM1230	OBM1230-24
OBM1530	OBM1530-24
OBM1830	OBM1830-24
OBM2130	OBM2130-24
OBM2430	OBM2130-24
OBM2730	OBM2730-24
OBM3030	OBM3030-24
OBM3330	OBM3330-24
OBM3630	OBM3630-24

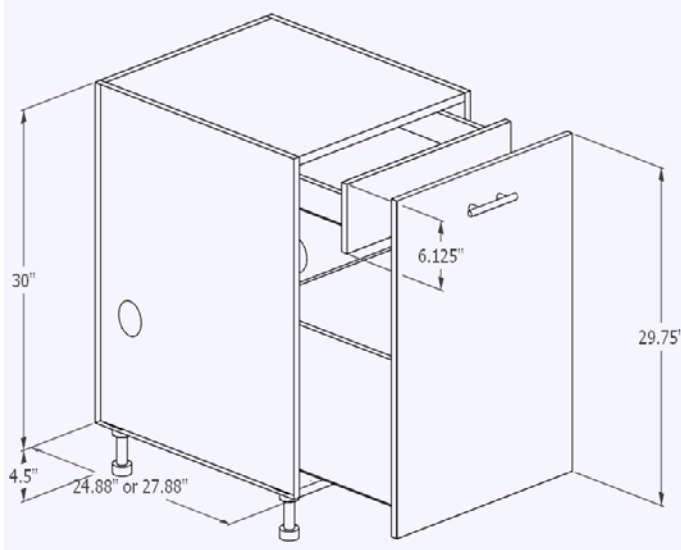


Product Description	
OBMxx40: Multi-Drawer Base, 4 Drawers	
27" Depth SKU	24" Depth SKU
OBM0940	OBM0940-24
OBM1240	OBM1240-24
OBM1540	OBM1540-24
OBM1840	OBM1840-24
OBM2140	OBM2140-24
OBM2440	OBM2440-24
OBM2740	OBM2740-24
OBM3040	OBM3040-24
OBM3340	OBM3340-24
OBM3640	OBM3640-24

Storage Base Cabinets - Multi-Drawer Tecno, Nested



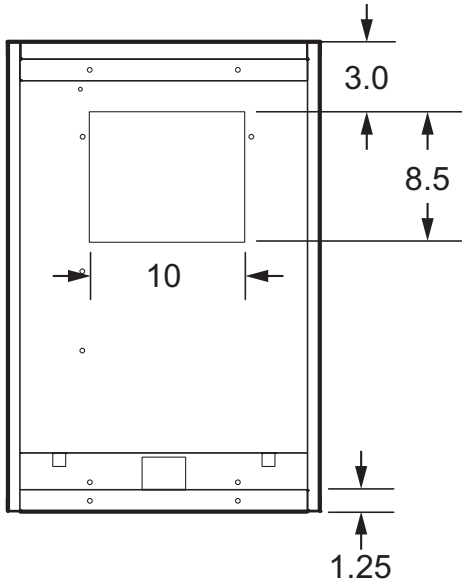
Product Description	
OBMxx30 TECNO: Outdoor Base Multi-Drawer TECNO, Full-height drawer front with 2 nested drawers with Tecno handles. NOTE: TECNO is available only in Brown Jordan Outdoor Kitchens line.	
27" Depth SKU	24" Depth SKU
OBM1530 TECNO	OBM1530-24 TECNO
OBM1830 TECNO	OBM1830-24 TECNO
OBM2130 TECNO	OBM2130-24 TECNO
OBM2430 TECNO	OBM2430-24 TECNO
OBM2730 TECNO	OBM2730-24 TECNO
OBM3030 TECNO	OBM3030-24 TECNO



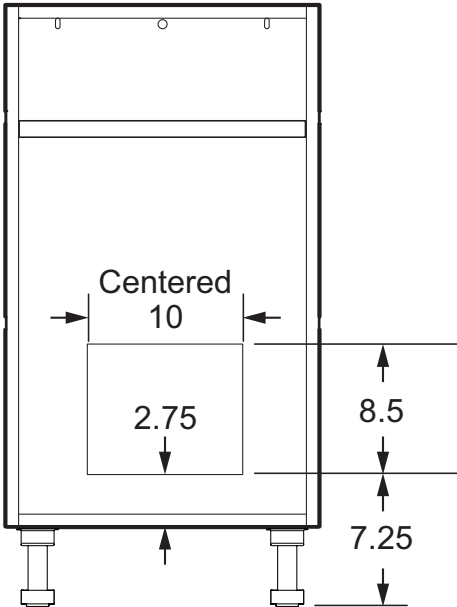
Product Description	
OBMxx20N: 1 Full-Height drawer front attached to a large drawer, 1 nested drawer inside at top with Hampton front (no handle, pull to open).	
27" Depth SKU	24" Depth SKU
OBM0920N	OBM0920N-24
OBM1220N	OBM1220N-24
OBM1520N	OBM1520N-24
OBM1820N	OBM1820N-24
OBM2120N	OBM2120N-24
OBM2420N	OBM2420N-24
OBM2720N	OBM2720N-24
OBM3020N	OBM3020N-24

Sink Base Cabinets - OBSxxxx

All OBS (Base Sink Cabinets) have precut openings in the rear and bottom panels as well as standard side openings for plumbing and electrical conduit.

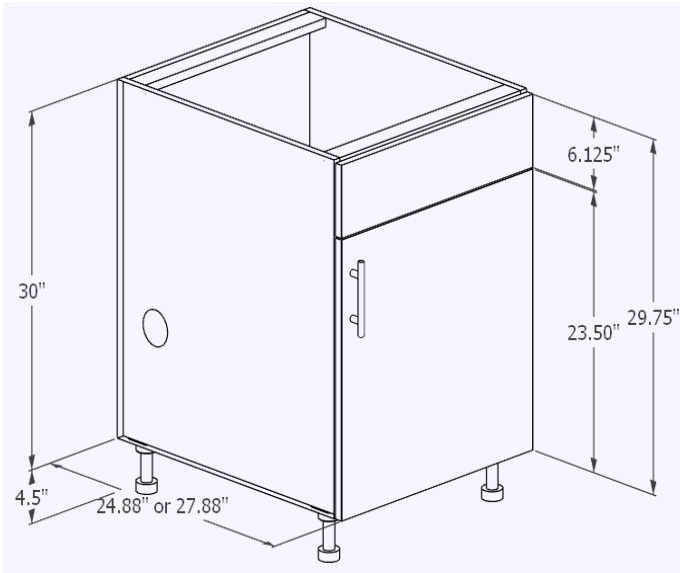


Top View

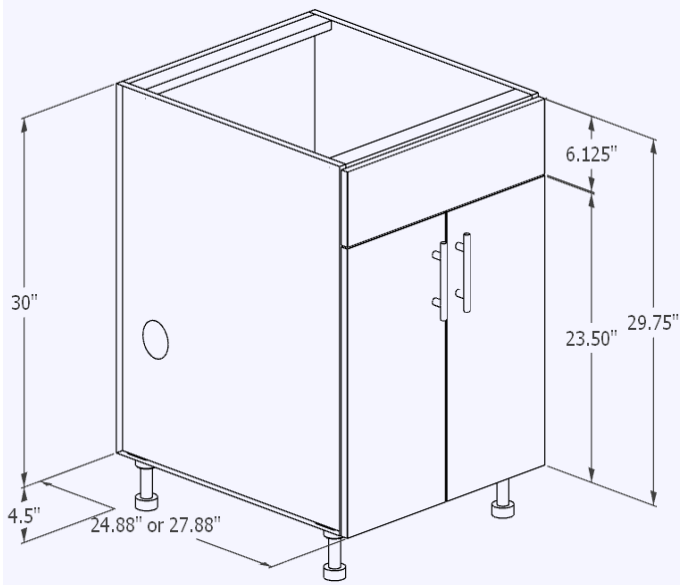


Front View

Sink Base Cabinets - False Front: OBSxx01, OBSxx02

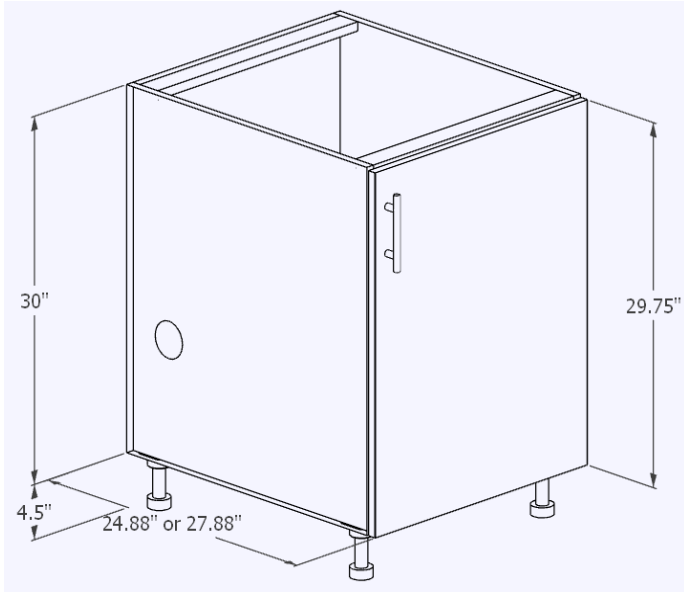


Product Description	
OBSxx01: Outdoor Sink Base, false Drawer front, 1 Door.	
27" Depth SKU	24" Depth SKU
OBS1201-LH	OBS1201-24-LH
OBS1201-RH	OBS1201-24-RH
OBS1501-LH	OBS1501-24-LH
OBS1501-RH	OBS1501-24-RH
OBS1801-LH	OBS1801-24-LH
OBS1801-RH	OBS1801-24-RH
OBS2101-LH	OBS2101-24-LH
OBS2101-RH	OBS2101-24-RH
OBS2401-LH	OBS2401-24-LH
OBS2401-RH	OBS2401-24-RH

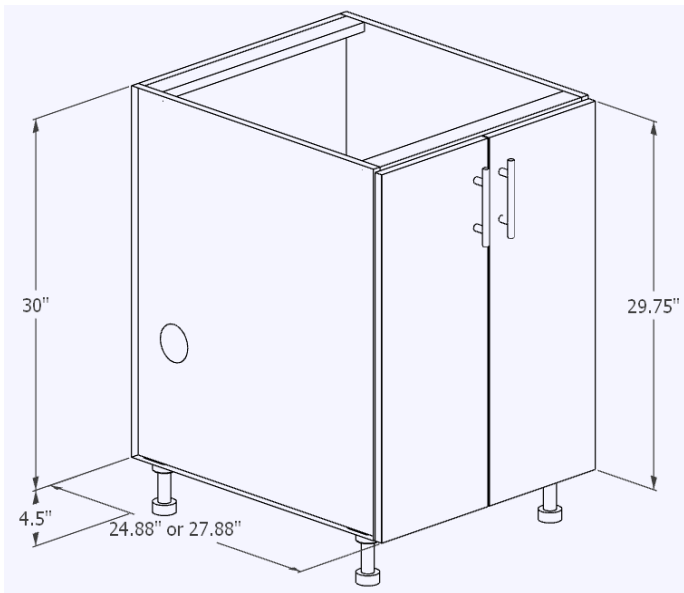


Product Description	
OBSxx02: Outdoor Sink Base, false Drawer front, 2 Doors.	
27" Depth SKU	24" Depth SKU
OBS2402	OBS2402-24
OBS2702	OBS2702-24
OBS3002	OBS3002-24
OBS3302	OBS3302-24
OBS3602	OBS3602-24
OBS3902	OBS3902-24
OBS4202	OBS4202-24
OBS4502	OBS4502-24
OBS4802	OBS4802-24

Sink Base Cabinets - Full Height Door: OBSxxxx-FHD

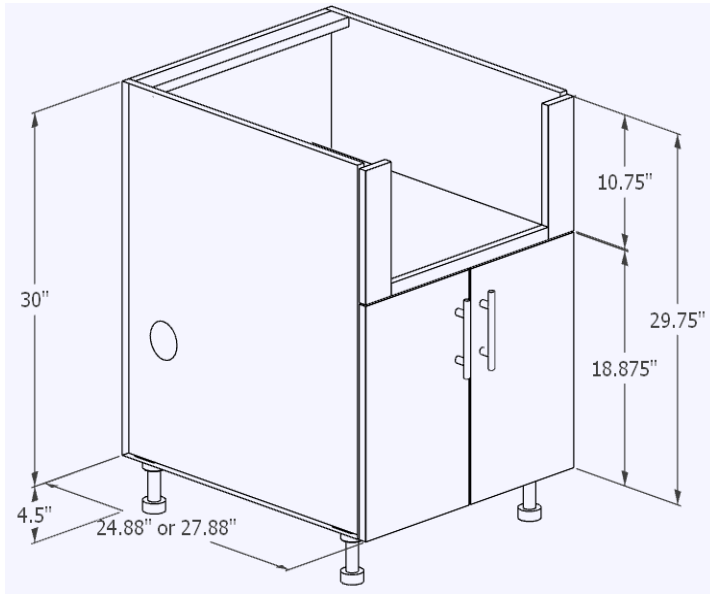


Product Description	
OBSxx01-FHD: Outdoor Sink Base, 1 Full-Height Door	
27" Depth SKU	24" Depth SKU
OBS1201-FHD-LH	OBS1201-24-FHD-LH
OBS1201-FHD-RH	OBS1201-24-FHD-RH
OBS1501-FHD-LH	OBS1501-24-FHD-LH
OBS1501-FHD-RH	OBS1501-24-FHD-RH
OBS1801-FHD-LH	OBS1801-24-FHD-LH
OBS1801-FHD-RH	OBS1801-24-FHD-RH
OBS2101-FHD-LH	OBS2101-24-FHD-LH
OBS2101-FHD-RH	OBS2101-24-FHD-RH
OBS2401-FHD-LH	OBS2401-24-FHD-LH
OBS2401-FHD-RH	OBS2401-24-FHD-RH

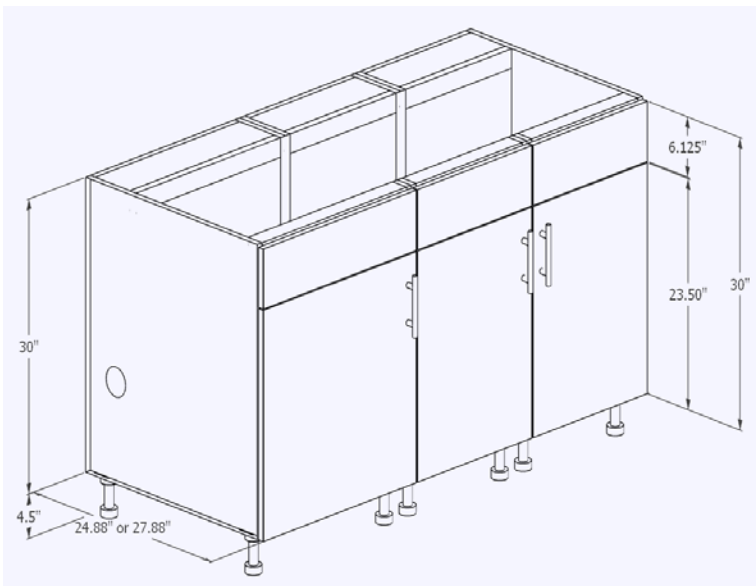


Product Description	
OBSxx02-FHD: Outdoor Sink Base, 2 Full-Height Doors	
27" Depth SKU	24" Depth SKU
OBS2402-FHD	OBS2402-24-FHD
OBS2702-FHD	OBS2702-24-FHD
OBS3002-FHD	OBS3002-24-FHD
OBS3302-FHD	OBS3302-24-FHD
OBS3602-FHD	OBS3602-24-FHD
OBS3902-FHD	OBS3902-24-FHD
OBS4202-FHD	OBS4202-24-FHD
OBS4502-FHD	OBS4502-24-FHD
OBS4802-FHD	OBS4802-24-FHD

Sink Base Cabinets - Farm and Galley Bases

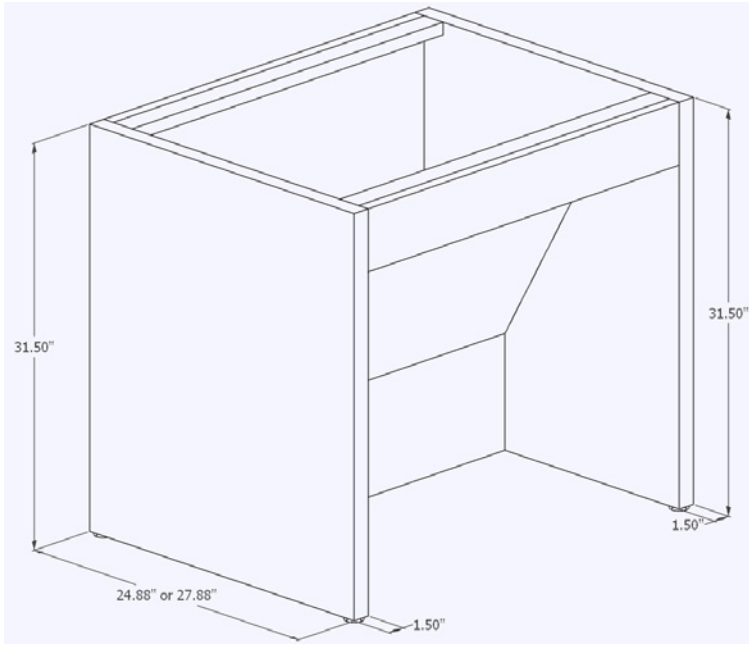


Product Description	
OBSxx02D-FARM: Outdoor Sink Base for Farm/Apron sinks, 2 Full height doors (1 door available for 24"W), specify sink for trim kit.	
27" Depth SKU	24" Depth SKU
OBS2401D-FARM-LH	OBS2401D-24-FARM-LH
OBS2401D-FARM-RH	OBS2401D-24-FARM-RH
OBS2402D-FARM	OBS2402D-24-FARM
OBS2702D-FARM	OBS2702D-24-FARM
OBS3002D-FARM	OBS3002D-24-FARM
OBS3302D-FARM	OBS3302D-24-FARM
OBS3602D-FARM	OBS3602D-24-FARM
OBS3902D-FARM	OBS3902D-24-FARM
OBS4202D-FARM	OBS4202D-24-FARM
OBS4502D-FARM	OBS4502D-24-FARM
OBS4802D-FARM	OBS4802D-24-FARM

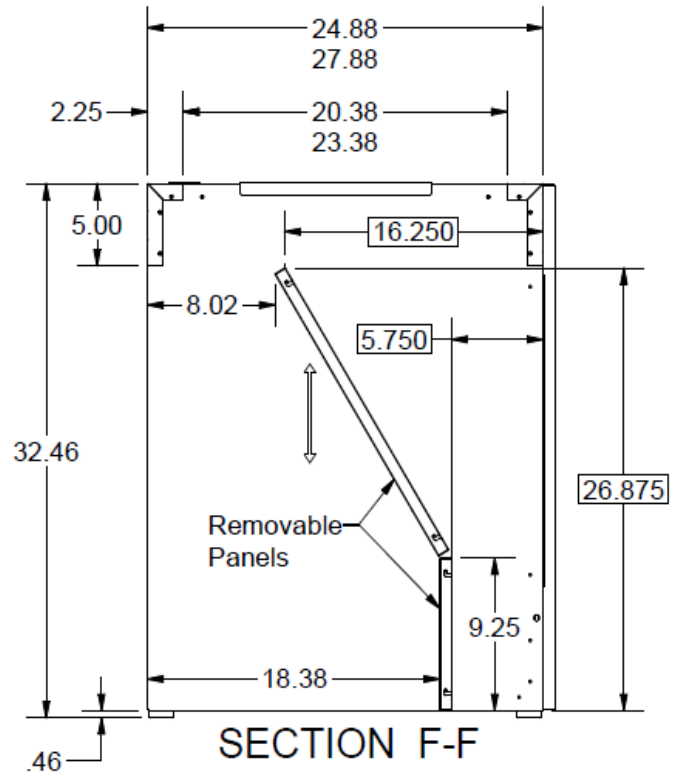
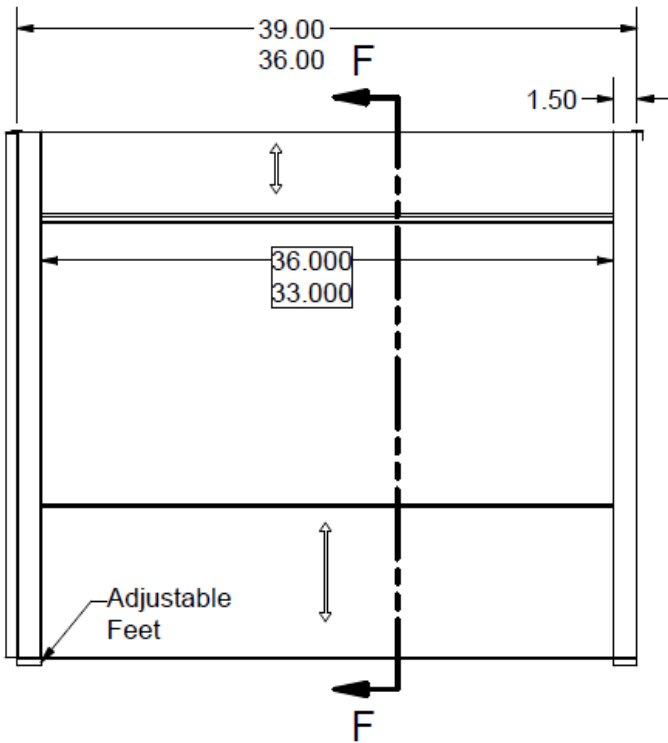


Product Description	
OBSxx0y Galley: Outdoor Sink Base for Galley Sinks only. Consists of multiple smaller sink bases with cutouts to support Galley Sinks.	
27" Depth SKU	24" Depth SKU
OBS3002 GALLEY	OBS3002-24 GALLEY
OBS3602 GALLEY	OBS3602-24 GALLEY
OBS4802 GALLEY	OBS4802-24 GALLEY
OBS6003 GALLEY	OBS6003-24 GALLEY
OBS7203 GALLEY	OBS7203-24 GALLEY
OBS8404 GALLEY	OBS8404-24 GALLEY

Sink Base Cabinets - ADA

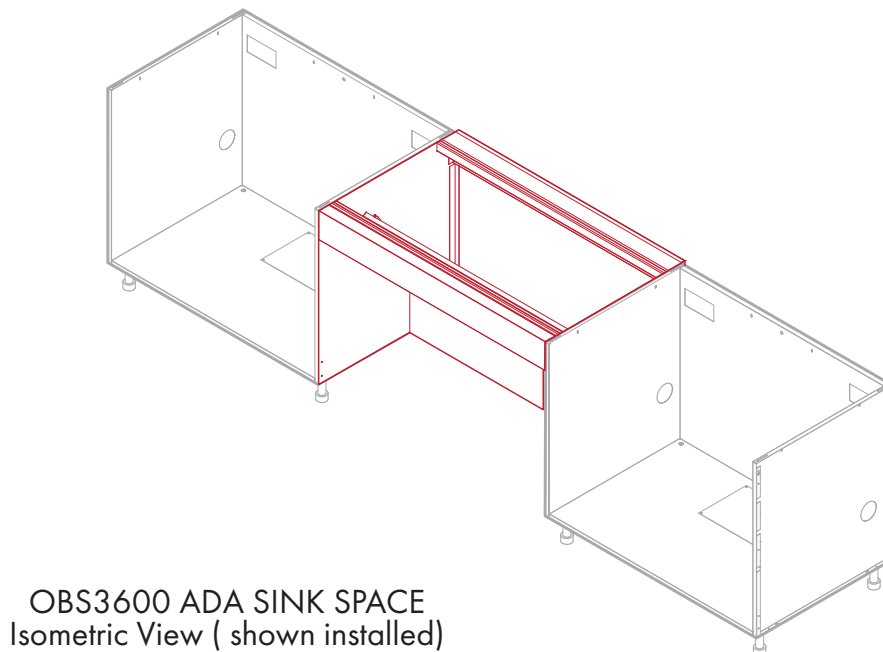
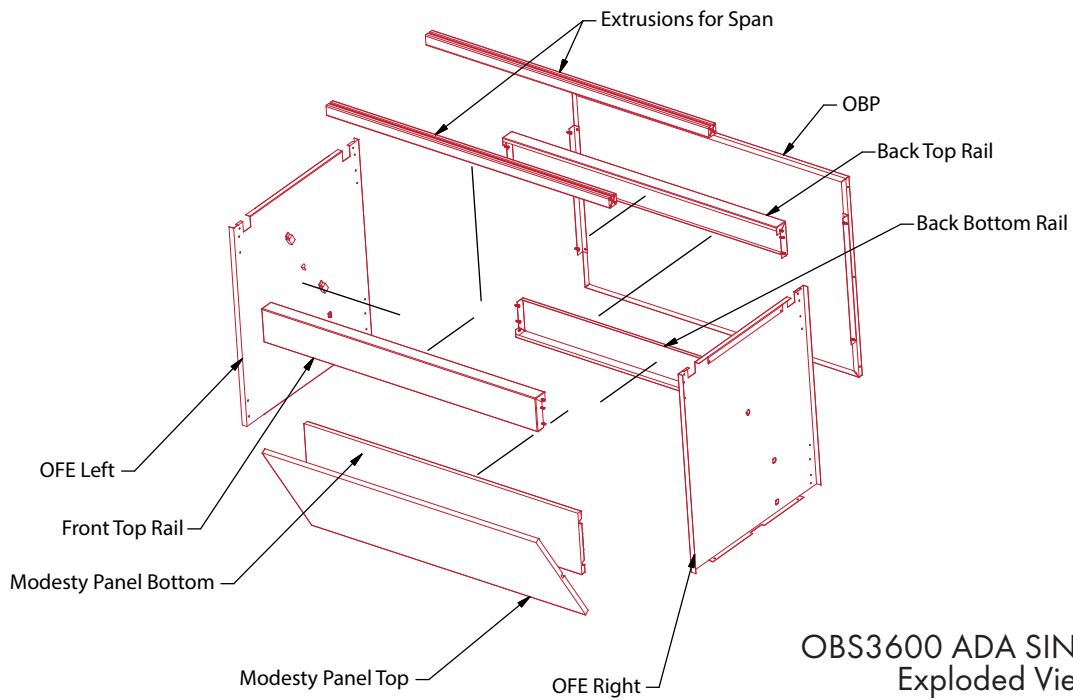


Product Description	
OBSxx00 ADA: Outdoor ADA Sink Base, no doors, removeable panel inside, 32.25" total height for ADA compliance. Glides on bottom adjustable up to 1"H.	
27" Depth SKU	24" Depth SKU
OBS3600 ADA	OBS3600-24 ADA
OBS3900 ADA	OBS3900-24 ADA
OBS4200 ADA	OBS4200-24 ADA
OBS4500 ADA	OBS4500-24 ADA
OBS4800 ADA	OBS4800-24 ADA

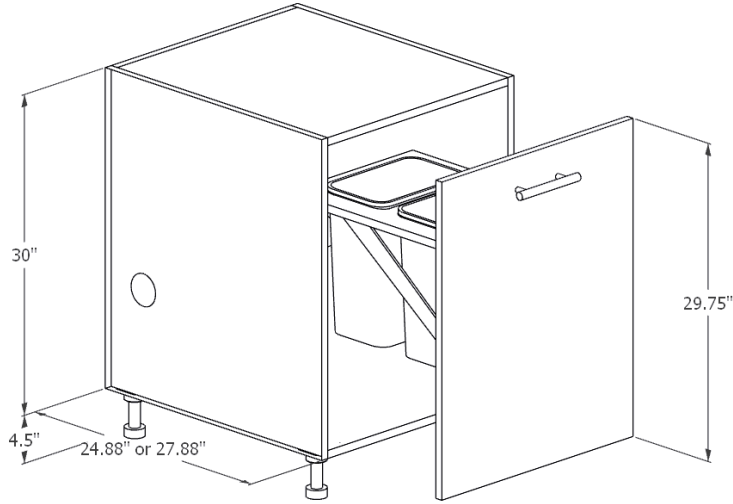


Sink Base Cabinets - ADA Sink Space

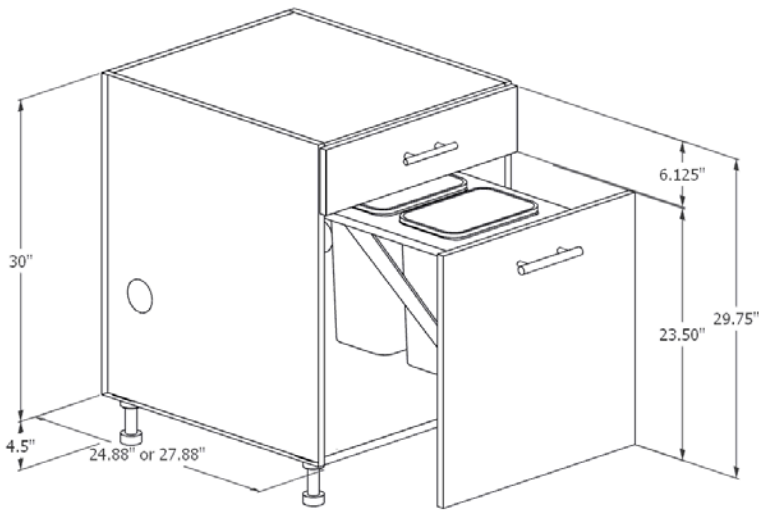
Product Description	
OBSxx00 ADA SINK SPACE: ADA compliant Sink Base/Workstation, no doors. Consists of side panels, extrusions, and front/back rails with modesty panel. Attaches directly to adjacent cabinets, no leveling legs needed.	
27" Depth SKU	24" Depth SKU
OBS3600 ADA SINK SPACE	OBS3600-24 ADA SINK SPACE
OBS3900 ADA SINK SPACE	OBS3900-24 ADA SINK SPACE
OBS4200 ADA SINK SPACE	OBS4200-24 ADA SINK SPACE
OBS4500 ADA SINK SPACE	OBS4500-24 ADA SINK SPACE
OBS4800 ADA SINK SPACE	OBS4800-24 ADA SINK SPACE



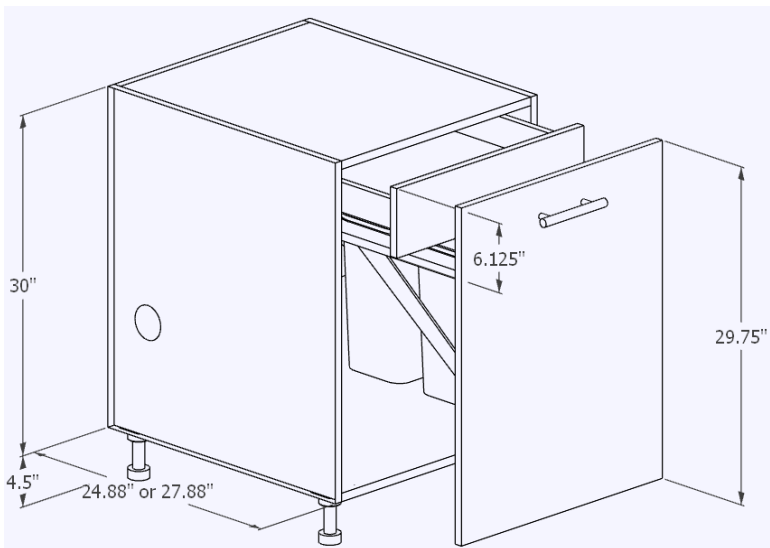
Trash Base Cabinets - OBTxxxx



Product Description	
OBTxx00: Outdoor Trash Base, 1 Full Height Door	
NOTE: 15" cabinets have 1 trash bin. Cabinets 18" and above have 2 trash bins.	
27" Depth SKU	24" Depth SKU
OBT1500	OBT1500-24
OBT1800	OBT1800-24
OBT2100	OBT2100-24
OBT2400	OBT2400-24
OBT2700	OBT2700-24

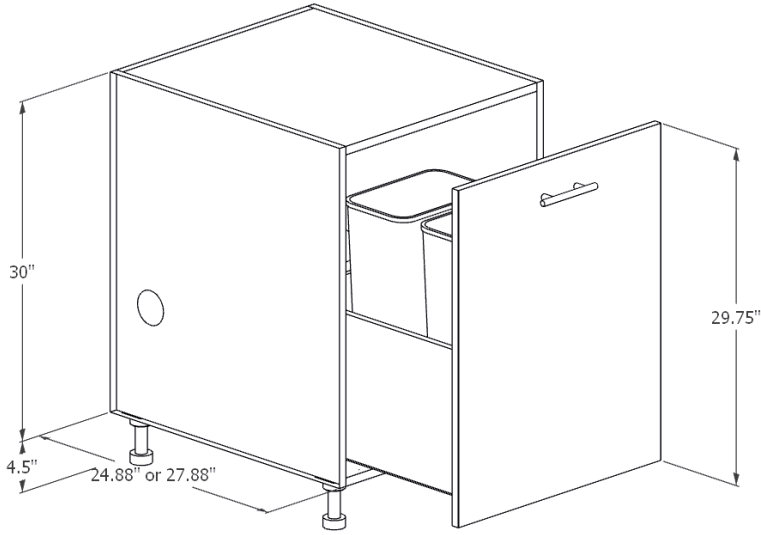


Product Description	
OBTxx10: Outdoor Trash Base, 1 Full Height Door, 1 drawer above.	
NOTE: 15" cabinets have 1 trash bin. Cabinets 18" and above have 2 trash bins.	
27" Depth SKU	24" Depth SKU
OBT1510	OBT1510-24
OBT1810	OBT1810-24
OBT2110	OBT2110-24
OBT2410	OBT2410-24
OBT2710	OBT2710-24

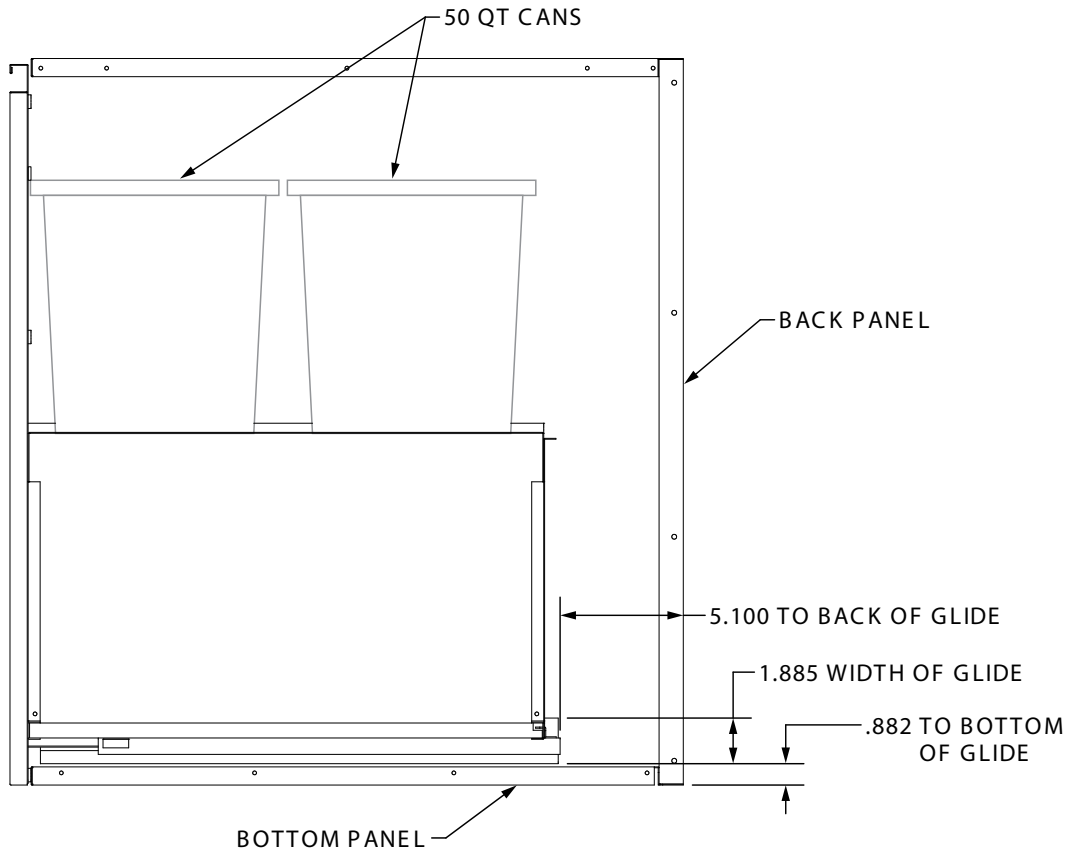


Product Description	
OBTxx00N: Outdoor Trash Base Nested Top Drawer, 1 Full Height Door, 1 Hidden Drawer (Hampton front, no handle, pull underneath to open); Pull-out Trash attached to Door	
27" Depth SKU	24" Depth SKU
OBT1510N	OBT1510N-24
OBT1810N	OBT1810N-24
OBT2110N	OBT2110N-24
OBT2410N	OBT2410N-24
OBT2710N	OBT2710N-24

Trash Base Cabinets - Large: OBTxxxxL

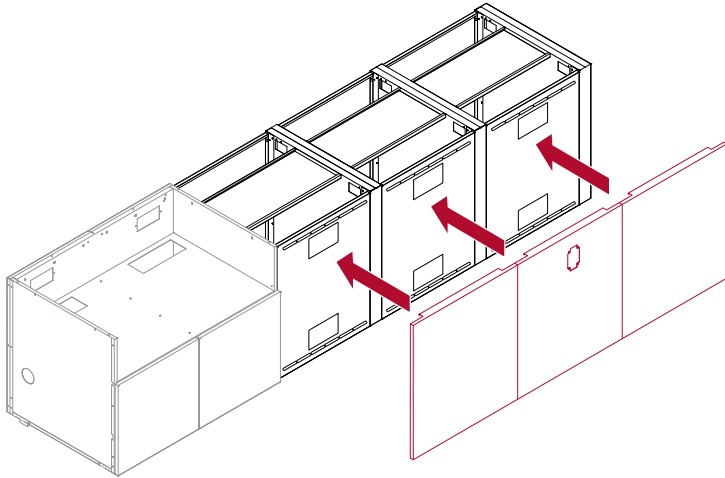


Product Description	
OBTxx00L: Outdoor Trash Base for Large 51 quart cans.	
27" Depth SKU	24" Depth SKU
OBT2100L	OBT2100L-24
OBT2400L	OBT2400L-24
OBT2700L	OBT2700L-24



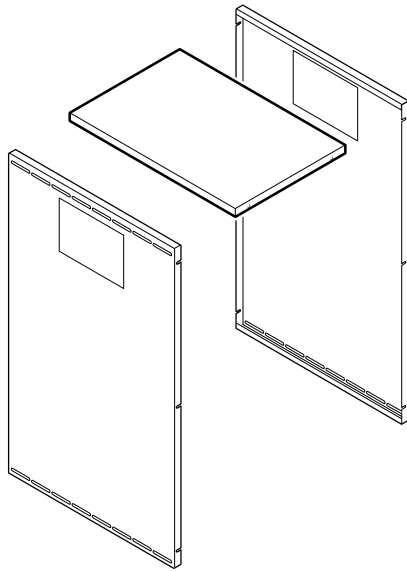
OBT2100L Cross Section Dimensions

Post and Panel System - PPS SUPPORT MID, END



Product Description	
<p>PPS – Post and Panel System: Using a combination of supports, spacers, and panels you can create countertop space without the additional cost of doors or drawers. These parts assemble to be stand-alone units or connect with base cabinets. Ideal for multi-family spaces, the supports can also be brought down to ADA compliant height with our available ADA legs. Panels can be made to match any door style.</p> <p>36”H versions of all PPS parts are available as well, with an extra option of 18”D. 36”H PPS parts are designated with a -TALL at the end of the SKU.</p>	
18” Depth SKU	Description
PPS SUPPORT MID 18-TALL	3”W x 18”D x 36”H Middle supports (unfinished, hidden from view)
PPS SUPPORT END 18-TALL	3”W x 18”D x 36”H End supports (one finished side for ending a run)
24” Depth SKU	Description
PPS SUPPORT MID 24	3”W x 24”D x 30”H Middle supports (unfinished, hidden from view)
PPS SUPPORT END 24	3”W x 24”D x 30”H End supports (one finished side for ending a run)
PPS SUPPORT MID 24-TALL	3”W x 24”D x 36”H Middle supports (unfinished, hidden from view)
PPS SUPPORT END 24-TALL	3”W x 24”D x 36”H End supports (one finished side for ending a run)
27” Depth SKU	Description
PPS SUPPORT MID 27	3”W x 27”D x 30”H Middle supports (unfinished, hidden from view)
PPS SUPPORT END 27	3”W x 27”D x 30”H End supports (one finished side for ending a run)

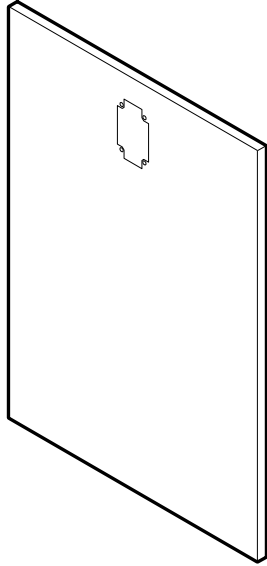
Post and Panel System - PPS SPACER



PPS SUPPORT MID 27-TALL	3"W x 27"D x 36"H Middle supports (unfinished, hidden from view)
PPS SUPPORT END 27-TALL	3"W x 27"D x 36"H End supports (one finished side for ending a run)

Product Description		
<p>Spacers consist of 3 panels that connect supports to each other, support to cabinet, or cabinets together. Finished panels hang over the spacers and supports for an even look, so specify panels based on total width of span. The finished panels are 3/4" thick and sit flush with door/drawer fronts on cabinets as well as back panels if they are used.</p>		
Width	Spacer SKU	Panel SKU
9"W	PPS SPACER 9	PPS PANEL 9
	PPS SPACER 9-TALL	PPS PANEL 9-TALL
		PPS PANEL 9 KW
		PPS PANEL 9 KW-TALL
12"W	PPS SPACER 12	PPS PANEL 12
	PPS SPACER 12-TALL	PPS PANEL 12-TALL
		PPS PANEL 12 KW
		PPS PANEL 12 KW-TALL
15"W	PPS SPACER 15	PPS PANEL 15

Post and Panel System - PPS SPACER

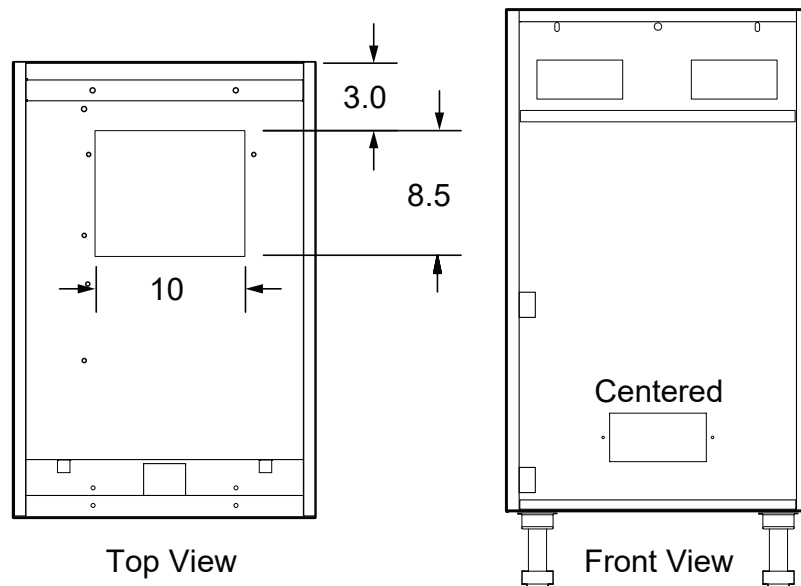


	PPS SPACER 15-TALL	PPS PANEL 15-TALL
		PPS PANEL 15 KW
		PPS PANEL 15 KW-TALL
18"W	PPS SPACER 18	PPS PANEL 18
	PPS SPACER 18-TALL	PPS PANEL 18-TALL
		PPS PANEL 18 KW
		PPS PANEL 18 KW-TALL
21"W	PPS SPACER 21	PPS PANEL 21
	PPS SPACER 21-TALL	PPS PANEL 21-TALL
		PPS PANEL 21 KW
		PPS PANEL 21 KW-TALL
24"W	PPS SPACER 24	PPS PANEL 24
	PPS SPACER 24-TALL	PPS PANEL 24-TALL
		PPS PANEL 24 KW
		PPS PANEL 24 KW-TALL
27"W	PPS SPACER 27	PPS PANEL 27
	PPS SPACER 27-TALL	PPS PANEL 27-TALL
		PPS PANEL 27 KW
		PPS PANEL 27 KW-TALL
30"W	PPS SPACER 30	PPS PANEL 30
	PPS SPACER 30-TALL	PPS PANEL 30-TALL
		PPS PANEL 30 KW
		PPS PANEL 30 KW-TALL
33"W	PPS SPACER 33	PPS PANEL 33
	PPS SPACER 33-TALL	PPS PANEL 33-TALL
		PPS PANEL 33 KW
36"W	N/A	PPS PANEL 36
		PPS PANEL 36-TALL
		PPS PANEL 36 KW
		PPS PANEL 36 KW-TALL
XX" W	N/A	PPS PANEL XX (specify)

Side Burner Base Cabinets

- Side Burner bases available in widths from 12" to 30".
- Recommended to specify cabinet 6" wider than the appliance being used.
- Factory installed trim kits individually designed to accommodate all manufacturers.
- OBB appliance cabinetry accommodate all electrical, plumbing and gas necessities.

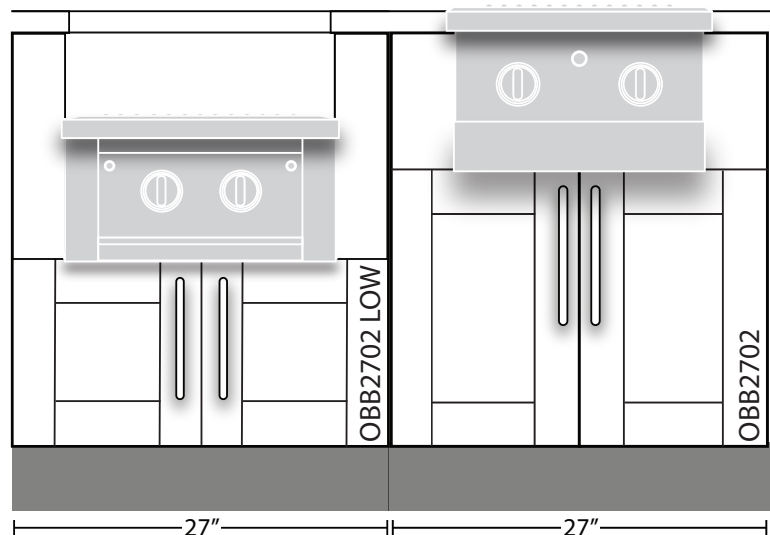
*NOTE: Extra depth cabinets are not available in all sizes. Please contact: Sales@danver.com for specific needs.



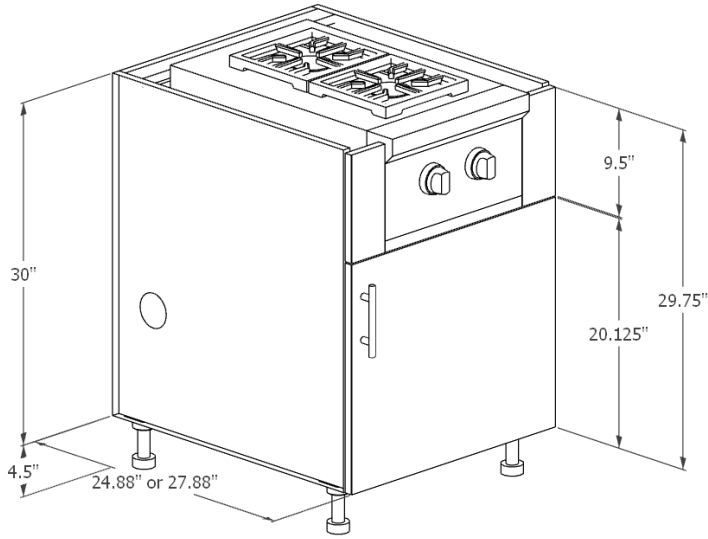
There are two side burner (OBB) cabinet styles - one placing the burner at countertop level and the recessed cabinet (LOW) placing the burner 7" below the countertop.

The recessed cabinet offers more convenience for stock pot cooking.

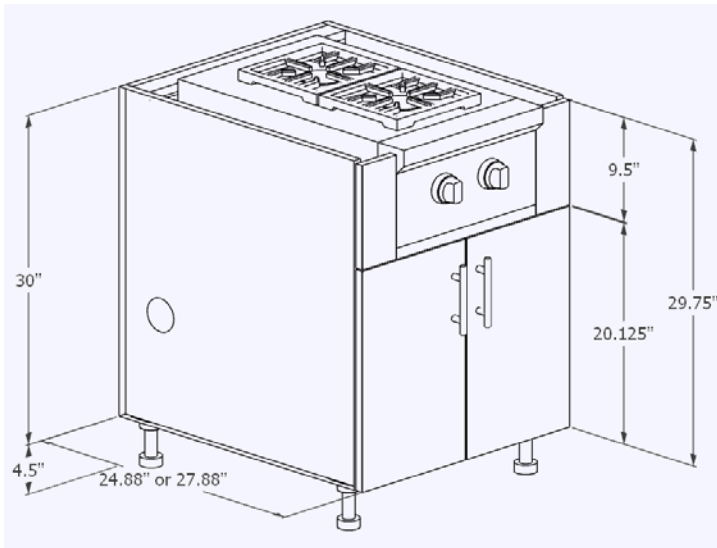
The LOW cabinets have a larger trim kit than normal. The appliance cutout **MUST** be 7.5" less than the cabinet width. Ex. for an OBB2702 LOW the appliance cutout must be 19.5"W or less.



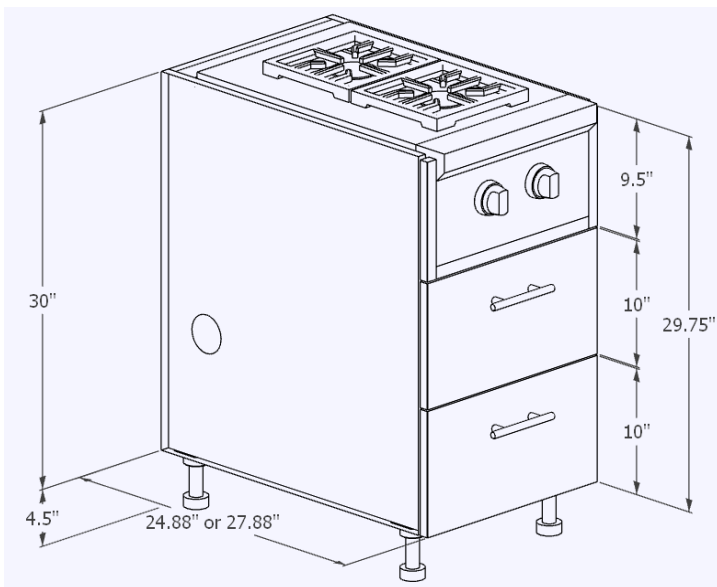
Side Burner Base - OBBxxxx: 1 Door, 2 Door, 2 Drawer



Product Description	
OBBxx01:Outdoor Side Burner Base, 1 Door. 9.75"H burner shelf (9.5"H trim kit sides)	
27" Depth SKU	24" Depth SKU
OBB1201-LH	OBB1201-24-LH
OBB1201-RH	OBB1201-24-RH
OBB1501-LH	OBB1501-24-LH
OBB1501-RH	OBB1501-24-RH
OBB1801-LH	OBB1801-24-LH
OBB1801-RH	OBB1801-24-RH
OBB2101-LH	OBB2101-24-LH
OBB2101-RH	OBB2101-24-RH
OBB2401-LH	OBB2401-24-LH
OBB2401-RH	OBB2401-24-RH

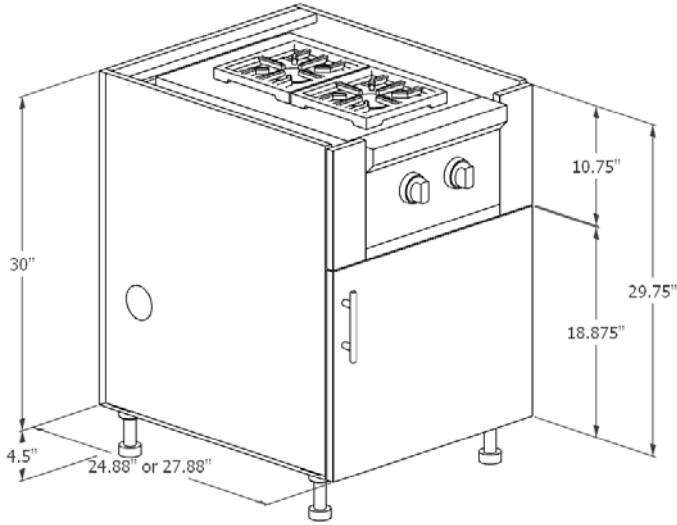


Product Description	
OBBxx02:Outdoor Side Burner Base, 2 Doors. 9.75"H burner shelf (9.5"H trim kit sides)	
27" Depth SKU	24" Depth SKU
OBB2402	OBB2402-24
OBB2702	OBB2702-24
OBB3002	OBB3002-24

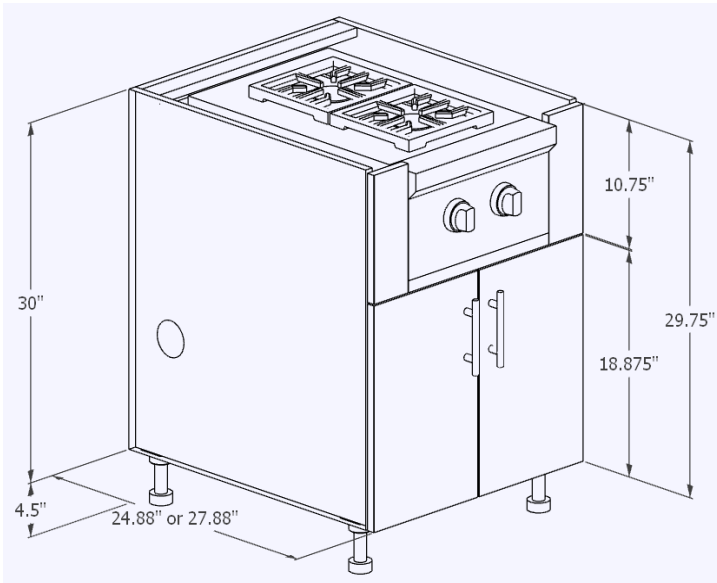


Product Description	
OBBxx20:Outdoor Side Burner Base, 2 Drawers. 9.75"H burner shelf (9.5"H trim kit sides)	
27" Depth SKU	24" Depth SKU
OBB1220	OBB1220-24
OBB1520	OBB1520-24
OBB1820	OBB1820-24
OBB2120	OBB2120-24
OBB2420	OBB2420-24
OBB2720	OBB2720-24
OBB3020	OBB3020-24

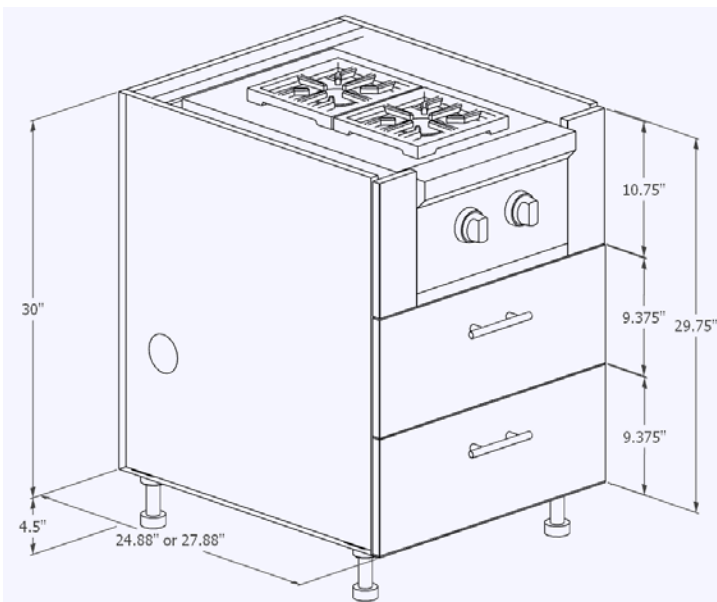
Side Burner Base - 11"H Shelf: OBBxxxxD



Product Description	
OBBx01D: Outdoor Side Burner Base, Deep, 1 Door. 11"H burner shelf (10.75"H trim kit sides)	
27" Depth SKU	24" Depth SKU
OBB1201D-LH	OBB1201D-24-LH
OBB1201D-RH	OBB1201D-24-RH
OBB1501D-LH	OBB1501D-24-LH
OBB1501D-RH	OBB1501D-24-RH
OBB1801D-LH	OBB1801D-24-LH
OBB1801D-RH	OBB1801D-24-RH
OBB2401D-LH	OBB2401D-24-LH
OBB2401D-RH	OBB2401D-24-RH

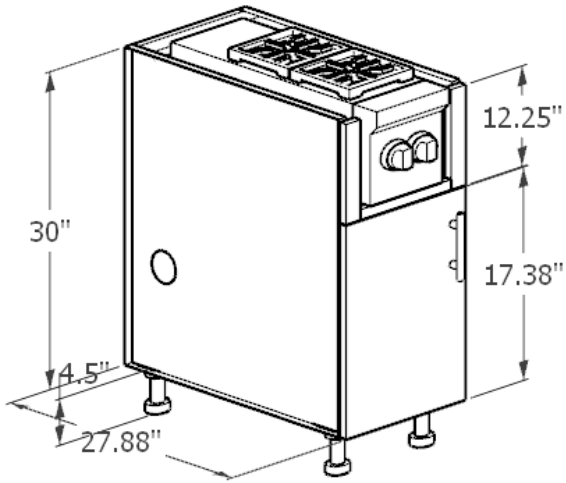


Product Description	
OBBx02D: Outdoor Side Burner Base, Deep, 2 Doors. 11"H burner shelf (10.75"H trim kit sides)	
27" Depth SKU	24" Depth SKU
OBB2402D	OBB2402D-24
OBB2702D	OBB2702D-24
OBB3002D	OBB3002D-24

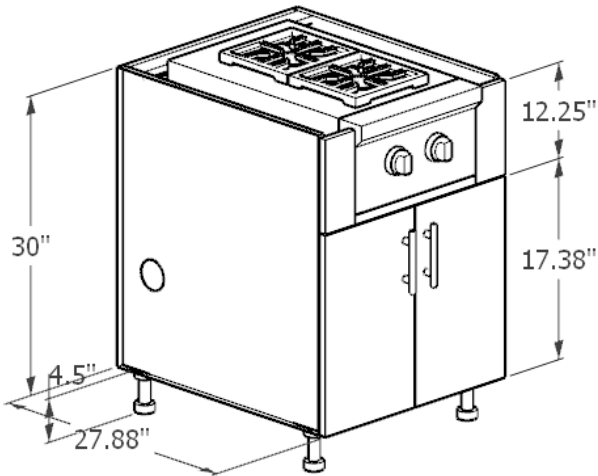


Product Description	
OBBx20D: Outdoor Side Burner Base, Deep, 2 Drawers. 11"H burner shelf (10.75"H trim kit sides)	
27" Depth SKU	24" Depth SKU
OBB1220D	N/A
OBB1520D	N/A
OBB1820D	N/A
OBB2120D	N/A
OBB2420D	N/A
OBB2720D	N/A
OBB3020D	N/A

Side Burner Base - 12.5"H Shelf: OBBxxxxW

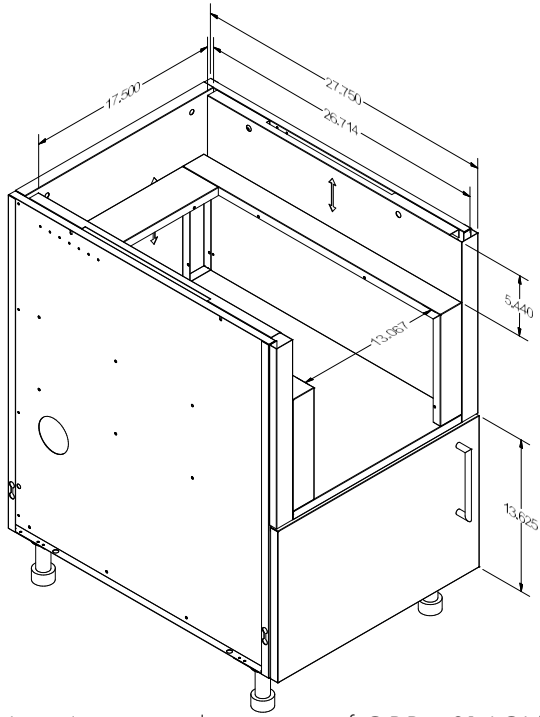


Product Description	
OBBxx01W: Outdoor Side Burner Base, 1 Door. 12.5"H burner shelf (12.25"H trim kit sides)	
27" Depth SKU	24" Depth SKU
OBB1201W-LH	N/A
OBB1201W-RH	N/A
OBB1501W-LH	N/A
OBB1501W-RH	N/A
OBB1801W-LH	N/A
OBB1801W-RH	N/A
OBB2101W-LH	N/A
OBB2101W-RH	N/A
OBB2401W-LH	N/A
OBB2401W-RH	N/A



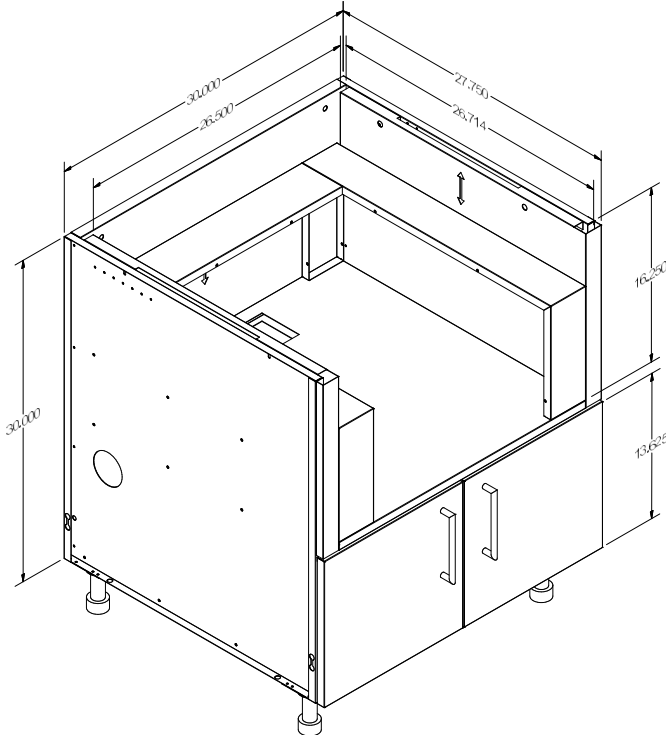
Product Description	
OBBxx02W: Outdoor Side Burner Base, 2 Doors. 12.5"H burner shelf (12.25"H trim kit sides)	
27" Depth SKU	24" Depth SKU
OBB2402W	N/A
OBB2702W	N/A
OBB3002W	N/A

Side Burner Base - 15.5”H Shelf: OBBxxxx LOW



Note: Inner trim dimensions of OBBxx01 LOW adjust based on the power burner selected.

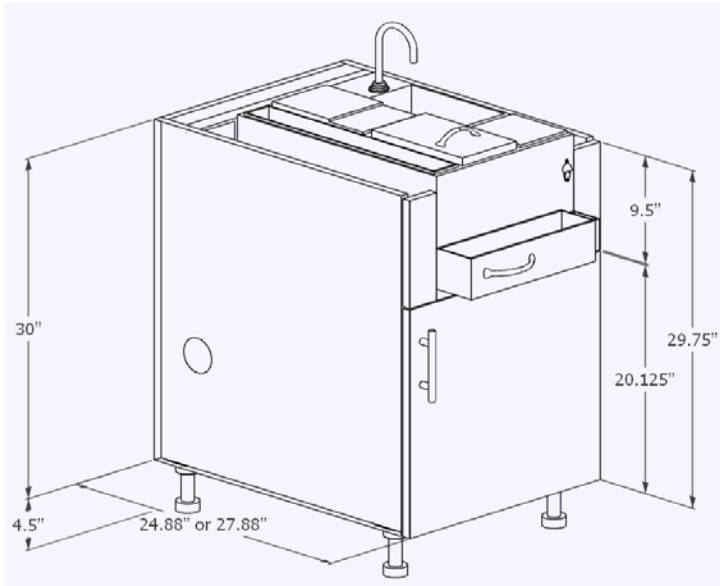
Product Description	
OBBxx01 LOW: Outdoor Side Burner Base, Low shelf design, 1 Door. 15.50" high burner shelf (16"H trim kit sides)	
27" Depth SKU	24" Depth SKU
OBB1801-RH LOW	OBB1801-24-RH LOW
OBB1801-LH LOW	OBB1801-24-LH LOW
OBB2101-RH LOW	OBB2101-24-RH LOW
OBB2101-LH LOW	OBB2101-24-LH LOW
OBB2401-RH LOW	OBB2401-24-RH LOW
OBB2401-LH LOW	OBB2401-24-LH LOW



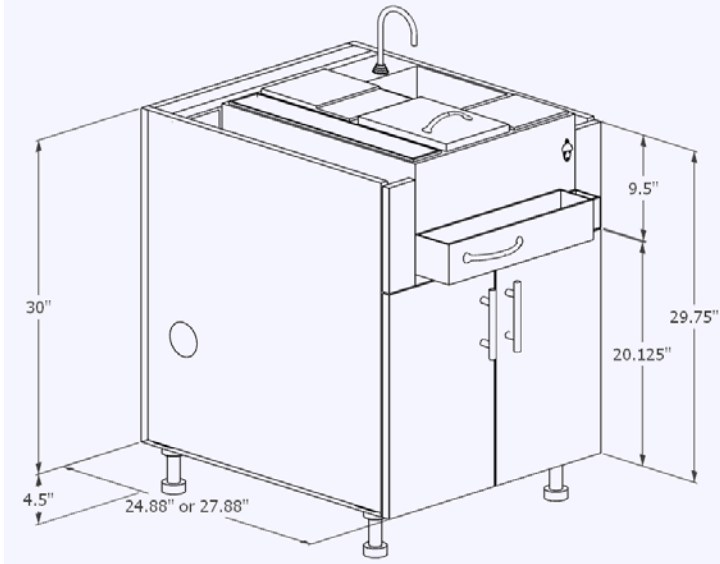
Note: Inner trim dimensions of OBBxx02 LOW adjust based on power burner selected.

Product Description	
OBBxx02 LOW: Outdoor Side Burner Base, Low shelf design, 2 Doors. 15.50" high burner shelf (16"H trim kit sides)	
27" Depth SKU	24" Depth SKU
OBB2402 LOW	OBB2402-24 LOW
OBB2702 LOW	N/A
OBB3002 LOW	OBB3002-24 LOW

Bartending Center Cabinets - OBCxx01 and OBCxx02

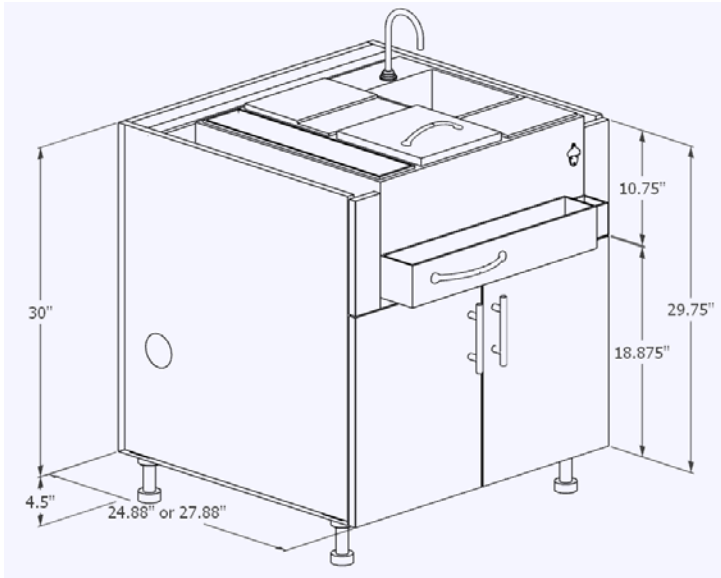


Product Description	
OBCxx01:Outdoor Bartending Center Base, 1 Door. 9.75"H appliance shelf (9.5"H trim kit sides)	
27" Depth SKU	24" Depth SKU
OBC1501-LH	OBC1501-24-LH
OBC1501-RH	OBC1501-24-RH
OBC1801-LH	OBC1801-24-LH
OBC1801-RH	OBC1801-24-RH
OBC2101-LH	OBC2101-24-LH
OBC2101-RH	OBC2101-24-RH
OBC2401-LH	OBC2401-24-LH
OBC2401-RH	OBC2401-24-RH

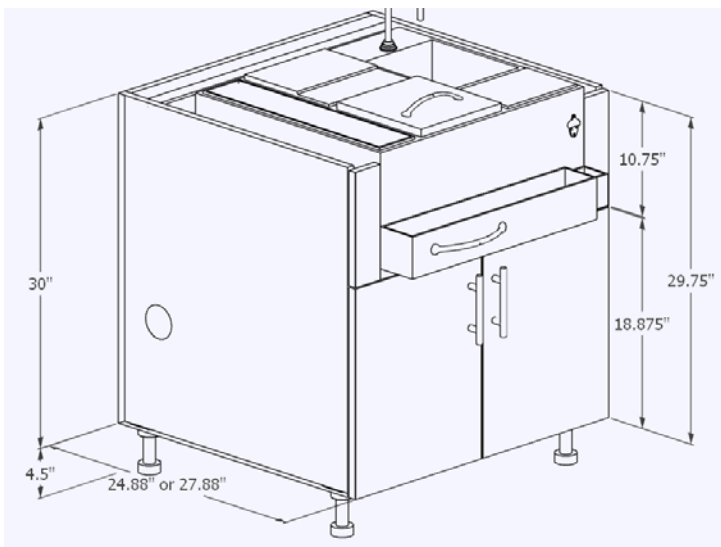


Product Description	
OBCxx02:Outdoor Bartending Center Base, Deep, 2 Doors. 9.75"H appliance shelf (9.5"H trim kit sides)	
27" Depth SKU	24" Depth SKU
OBC2402	OBC2402-24
OBC2702	OBC2702-24
OBC3002	OBC3002-24
OBC3302	OBC3302-24
OBC3602	OBC3602-24
OBC3902	OBC3902-24

Bartending Center Cabinets - 11"H Shelf: OBCxx01D, OBCxx02D

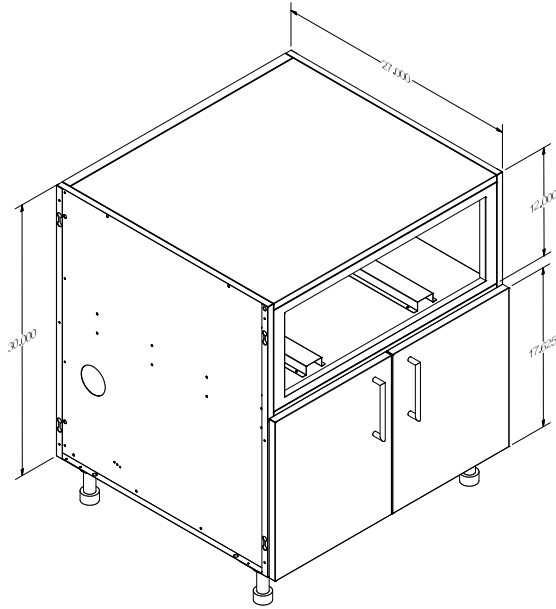


Product Description	
OBCxx01D:Outdoor Bartending Center Base, Deep, 1 Door. 11"H appliance shelf (10.75"H trim kit sides)	
27" Depth SKU	24" Depth SKU
OBC1501D-LH	OBC1501D-24-LH
OBC1501D-RH	OBC1501D-24-RH
OBC1801D-LH	OBC1801D-24-LH
OBC1801D-RH	OBC1801D-24-RH
OBC2101D-LH	OBC2101D-24-LH
OBC2101D-RH	OBC2101D-24-RH
OBC2401D-LH	OBC2401D-24-LH
OBC2401D-RH	OBC2401D-24-RH



Product Description	
OBCxx02D:Outdoor Bartending Center Base, Deep, 2 Doors. 11"H appliance shelf (10.75"H trim kit sides)	
27" Depth SKU	24" Depth SKU
OBC2402D	OBC2402D-24
OBC2702D	OBC2702D-24
OBC3002D	OBC3002D-24
OBC3302D	OBC3302D-24
OBC3602D	OBC3602D-24
OBC3902D	OBC3902D-24

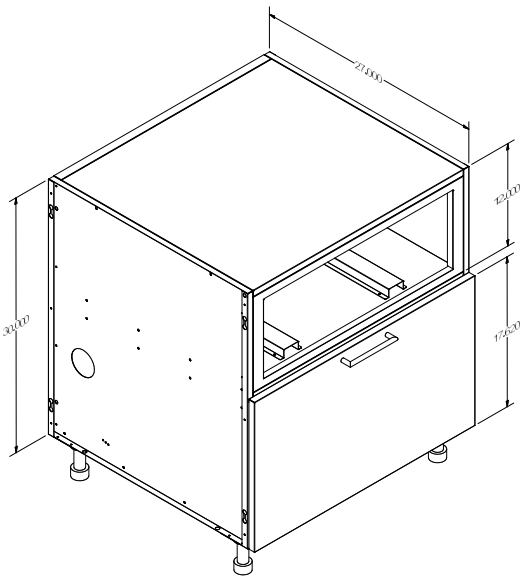
Warming Drawer Base Cabinets - OBWxx02, OBWxx10



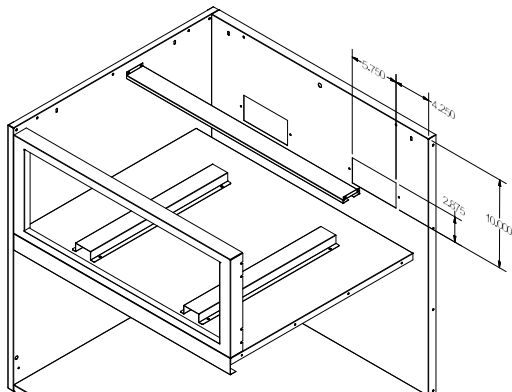
Product Description	
OBWxx02: Outdoor Warming Drawer Base, 2 Doors.	
27" Depth SKU	24" Depth SKU
OBW3002	OBW3002-24
OBW3302	OBW3302-24
OBW3602	OBW3602-24

Note: OBW30xx's are made for 27" wide warming drawers.

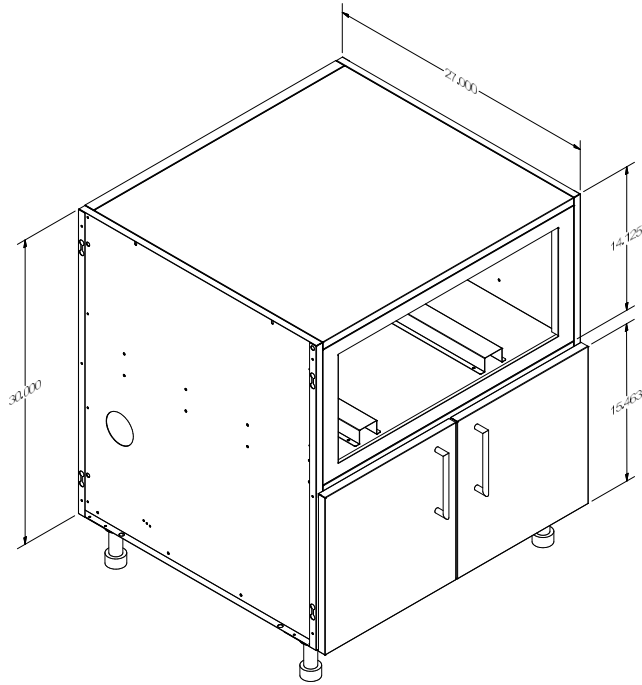
OBW36xx's accomodate 33" wide warming drawers.



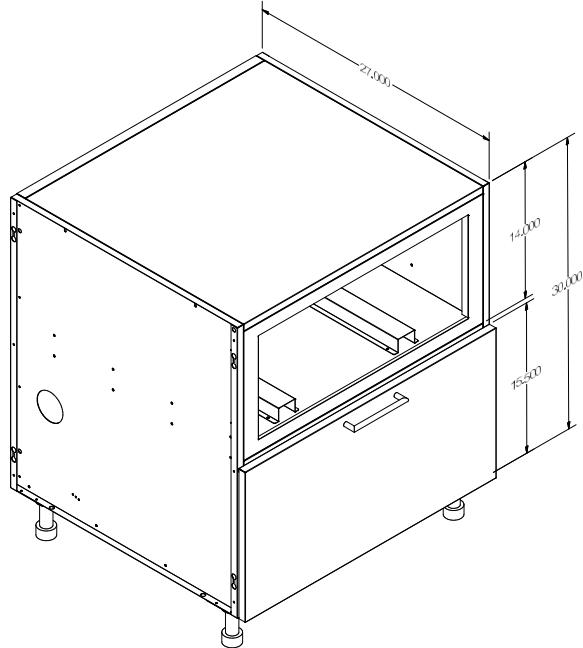
Product Description	
OBWxx10: Outdoor Warming Drawer Base, 1 Drawer.	
27" Depth SKU	24" Depth SKU
OBW3010	OBW3010-24
OBW3310	OBW3310-24
OBW3610	OBW3610-24



Warming Drawer Base - OBWxx02D, OBWxx10D

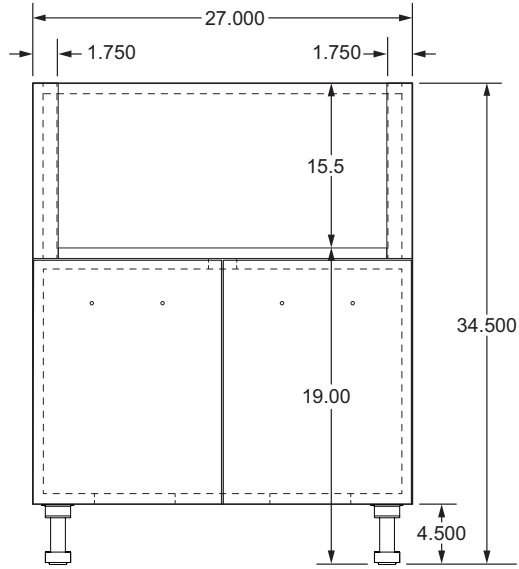


Product Description	
OBWxx02D: Outdoor Warming Drawer Base, Deep, 2 Doors.	
27" Depth SKU	24" Depth SKU
OBW3002D	OBW3002D-24
OBW3302D	OBW3302D-24
OBW3602D	OBW3602D-24



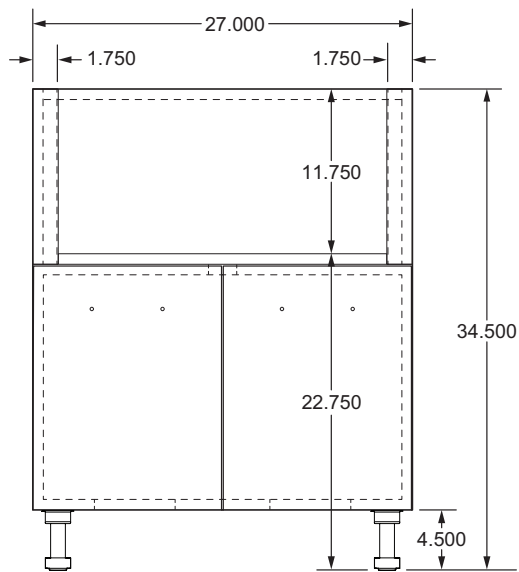
Product Description	
OBWxx10D: Outdoor Warming Drawer Base, Deep, 1 Drawer.	
27" Depth SKU	24" Depth SKU
OBW3010D	OBW3010D-24
OBW3310D	OBW3310D-24
OBW3610D	OBW3610D-24

Egg Base Cabinets - OEBxx02 H18, OEBxx02 H22



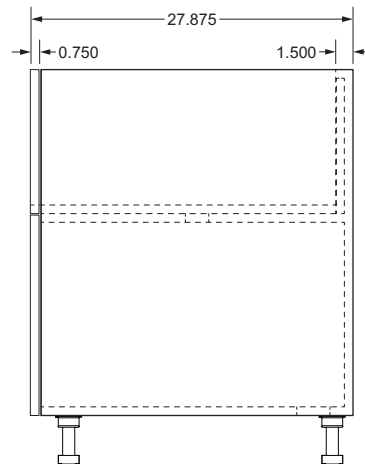
Product Description	
OEBxx02 H18: Outdoor Egg Smoker Base, 2 Doors. 15.50"H shelf	
27" Depth SKU	24" Depth SKU
OEB2702 H18	OEB2702-24 H18
OEB3302 H18	OEB3302-24 H18

Note: OEB Cabinets have additional support for the weight of the smoker grill eggs (over 200lbs.).



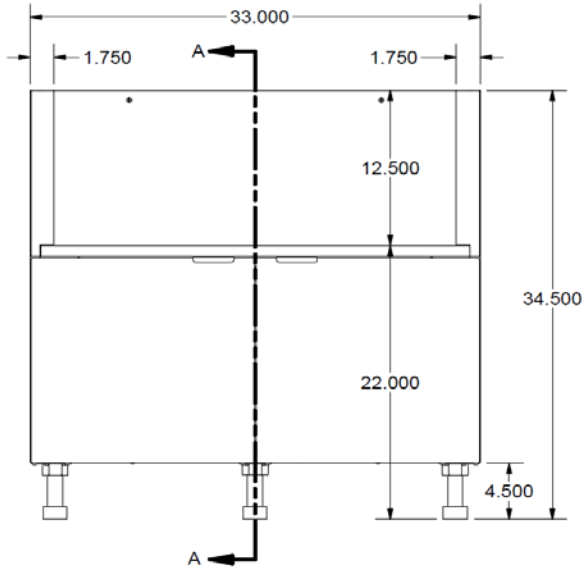
Product Description	
OEBxx02 H22: Outdoor Egg Smoker Base, 2 Doors. 11.75"H shelf	
27" Depth SKU	24" Depth SKU
OEB2702 H22	OEB2702-24 H22
OEB3302 H22	OEB3302-24 H22

Note: OEB Cabinets have additional support for the weight of the smoker grill eggs (over 200lbs.).

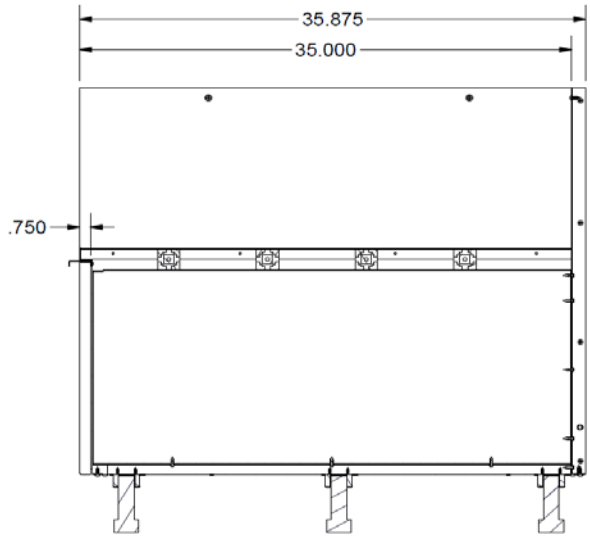


EXAMPLE:
OEB 2702 and 3302 side elevation measurements.

Egg Base Cabinets - Extra Large, Diagonal Corner: DCBxx

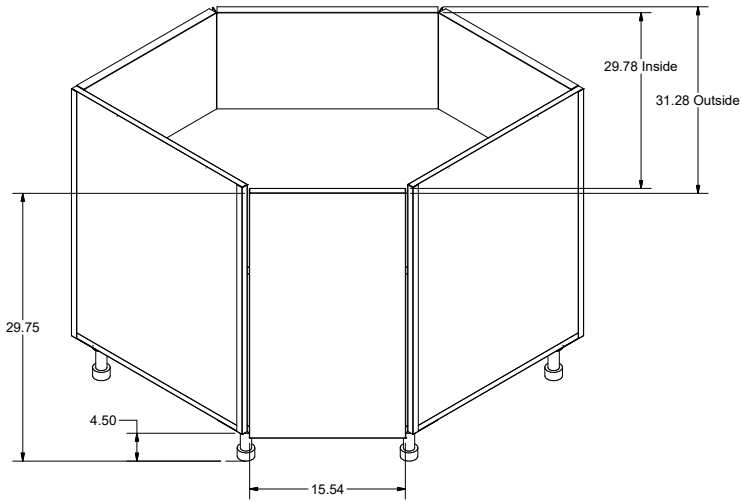


Product Description	
OEB3302-35 H22: Outdoor Egg Smoker Base, 2 Doors. *35"D TO FIT BIG GREEN EGG XL, 2XL WILL NOT FIT!* SHELF HEIGHT IS 22.75" FROM FLOOR* This base comes with OFE APPLIANCE finished sides due to the cabinet most likely sitting forward from the rest of the run. 11.75"H shelf	
27" Depth SKU	24" Depth SKU
OEB3302-35 H22	N/A



SECTION A-A

Product Description	
DCBxx01 H18: Diagonal Corner Egg Smoker Base, 1 Door. 15.50"H shelf	
27" Depth SKU	24" Depth SKU
DCB39 H18-LH	DCB36 H18-LH
DCB39 H18-RH	DCB36 H18-RH



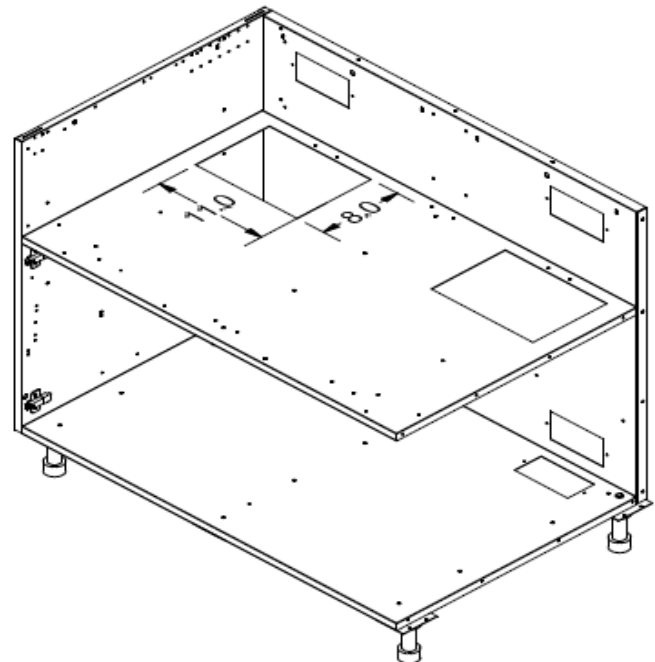
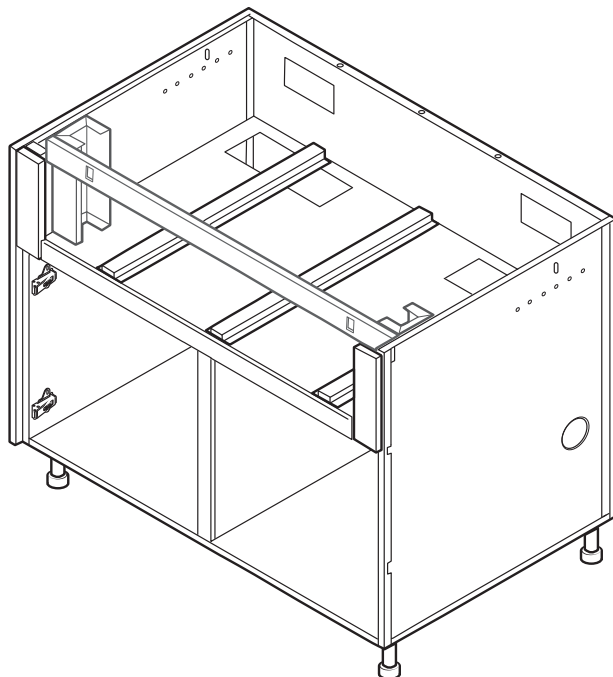
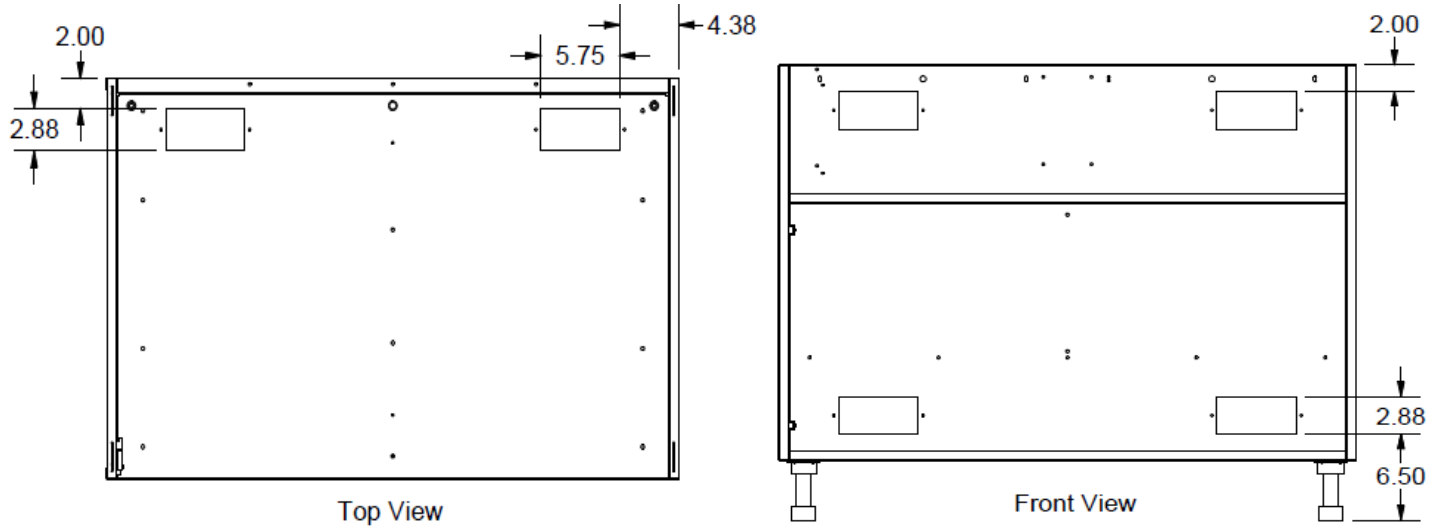
DCB36

Product Description	
DCBxx01 H22: Diagonal Corner Egg Smoker Base, 1 Door. 11.75"H shelf	
27" Depth SKU	24" Depth SKU
DCB39 H22-LH	DCB36 H22-LH
DCB39 H22-RH	DCB36 H22-RH

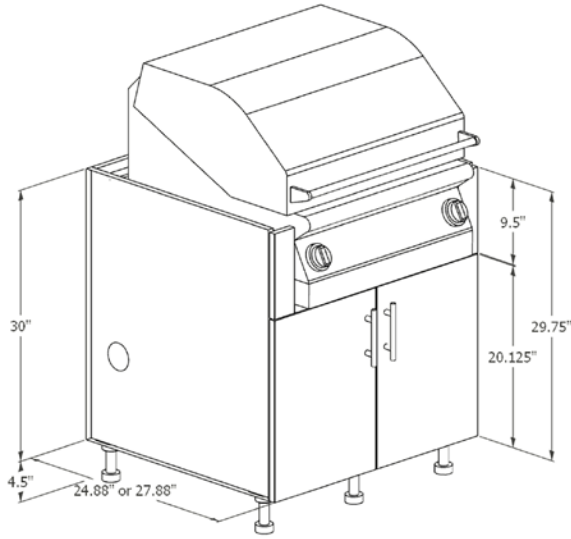
Grill Cabinets - OGBxxxx

- Available in widths from 30" - 62".
- Factory installed trim kits individually designed to accommodate all grill manufacturers.
- Cabinets available for additional cooking appliances such as cooktops, EVO grills, and pizza ovens.
- Specify cabinet 6" larger than the grill being used.
- Wolf, Twin Eagles, and Fire Magic grills require a deeper cutout and shelf (11"H). This is denoted with a "D" suffix. Example: OGB4802D.
- Wilmington grills require a deeper cutout and shelf (12.5"H). This is denoted with a "W" suffix. Example: OGB4802W. This shelf height is needed with a .75" countertop and a deep grill listed above.
- Hasty Bake grills require a deeper cutout and shelf (18.5"H) This is denoted with a "HB" suffix.

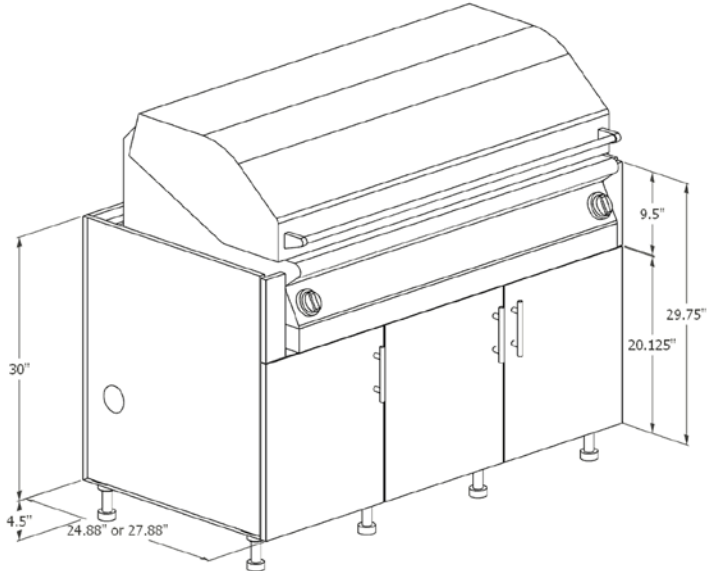
*NOTE: Extra depth cabinets are not available in all sizes. Please contact: Sales@danver.com for specific needs.



Grill Cabinets - Doors: OGBxx02, OGBxx03

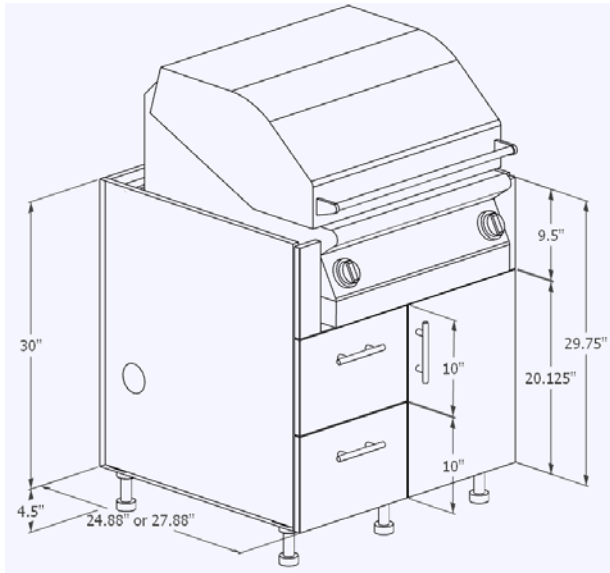


Product Description	
OGBxx02: Outdoor Grill Base, 2 Doors. 9.75"H grill shelf (9.5"H trim kit sides)	
27" Depth SKU	24" Depth SKU
OGB3002	OGB3002-24
OGB3302	OGB3302-24
OGB3602	OGB3602-24
OGB4202	OGB4202-24
OGB4802	OGB4802-24

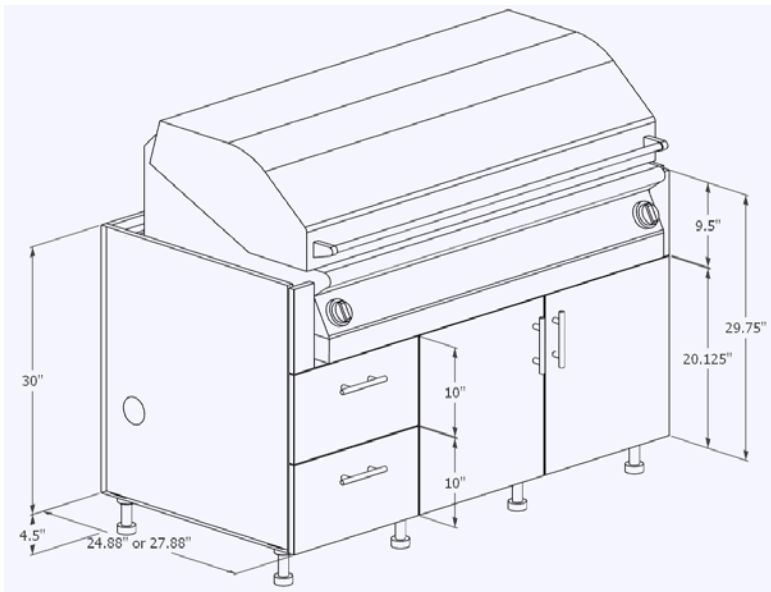


Product Description	
OGBxx03: Outdoor Grill Base, 3 Doors. 9.75"H grill shelf (9.5"H trim kit sides)	
27" Depth SKU	24" Depth SKU
OGB5403	OGB5403-24
OGB5803	OGB5803-24
OGB6203	OGB6203-24

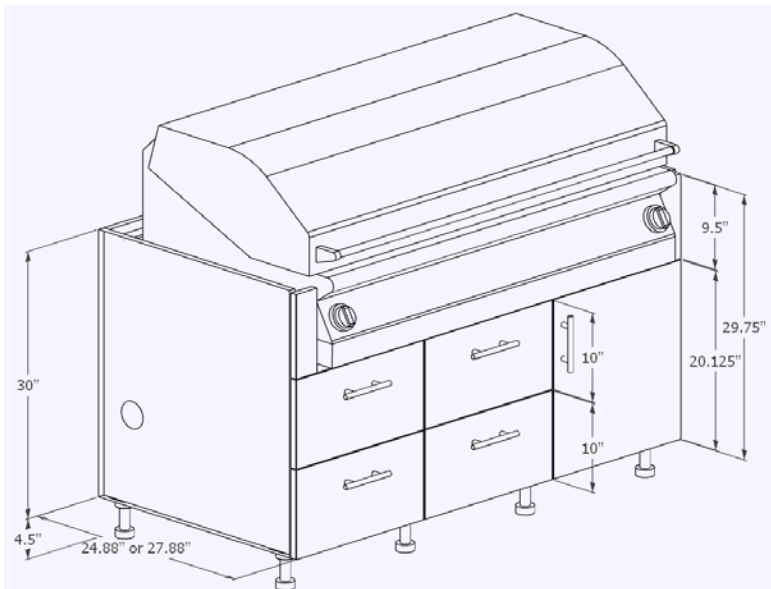
Grill Cabinets - Drawers/Doors



Product Description	
OGBxx21: Outdoor Grill Base, 2 Drawers, 1 Door. 9.75"H grill shelf (9.5"H trim kit sides)	
27" Depth SKU	24" Depth SKU
OGB3021	OGB3021-24
OGB3321	OGB3321-24
OGB3621	OGB3621-24
OGB4221	OGB4221-24
OGB4821	OGB4821-24

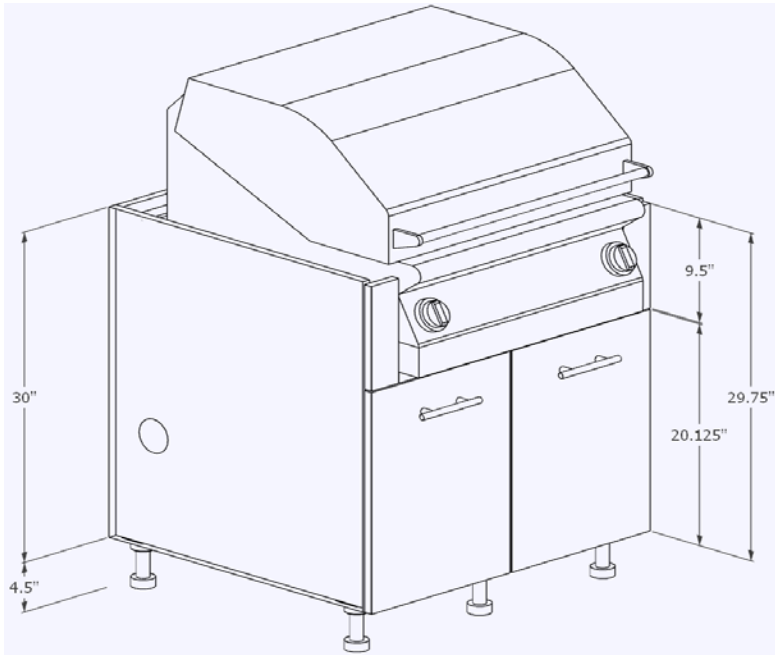


Product Description	
OGBxx22: Outdoor Grill Base 2 Drawers, 2 Doors. 9.75"H grill shelf (9.5"H trim kit sides)	
27" Depth SKU	24" Depth SKU
OGB5422	OGB5422-24
OGB5822	OGB5822-24
OGB6222	OGB6222-24

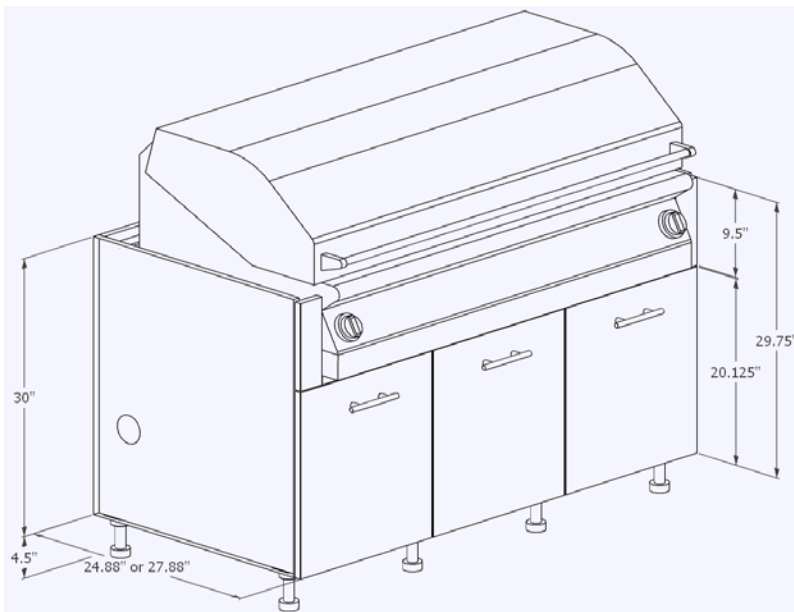


Product Description	
OGBxx41: Outdoor Grill Base, 4 Drawers, 1 Door. 9.75"H grill shelf (9.5"H trim kit sides)	
27" Depth SKU	24" Depth SKU
OGB5441	OGB5441-24
OGB5841	OGB5841-24
OGB6241	OGB6241-24

Grill Cabinets - Full-Height Drawers: OGBxx20, OGBxx30

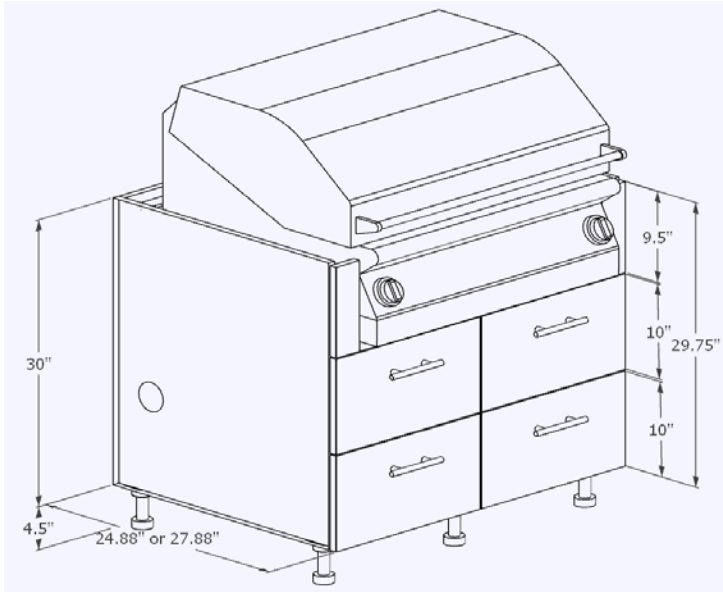


Product Description	
OGBxx20: Outdoor Grill Base, 2 Full-Height Drawers. 9.75"H grill shelf (9.5"H trim kit sides)	
27" Depth SKU	24" Depth SKU
OGB3020	OGB3020-24
OGB3320	OGB3320-24
OGB3620	OGB3620-24
OGB3920	OGB3920-24
OGB4220	OGB4220-24
OGB4520	OGB4520-24
OGB4820	OGB4820-24

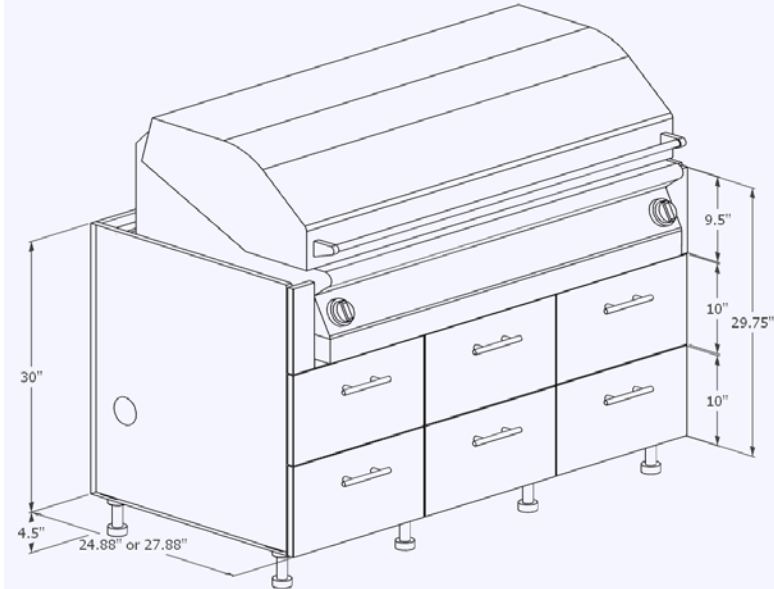


Product Description	
OGBxx30: Outdoor Grill Base, 3 Full-Height Drawers. 9.75"H grill shelf (9.5"H trim kit sides)	
27" Depth SKU	24" Depth SKU
OGB5430	OGB5430-24
OGB5830	OGB5830-24
OGB6230	OGB6230-24

Grill Cabinets - Drawers: OGBxx40, OGBxx60

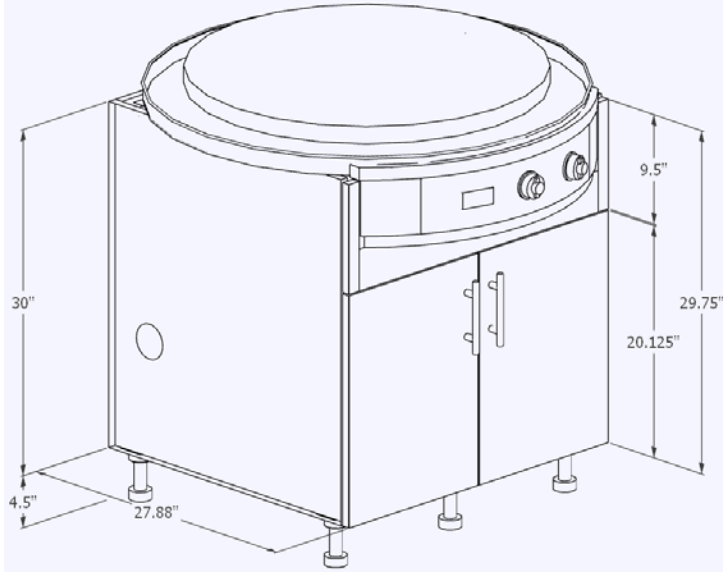


Product Description	
OGBxx40: Outdoor Grill Base, 4 Drawers. 9.75"H grill shelf (9.5"H trim kit sides)	
27" Depth SKU	24" Depth SKU
OGB3640	OGB3640-24
OGB4940	OGB3940-24
OGB4240	OGB4240-24
OGB4540	OGB4540-24
OGB4840	OGB4840-24

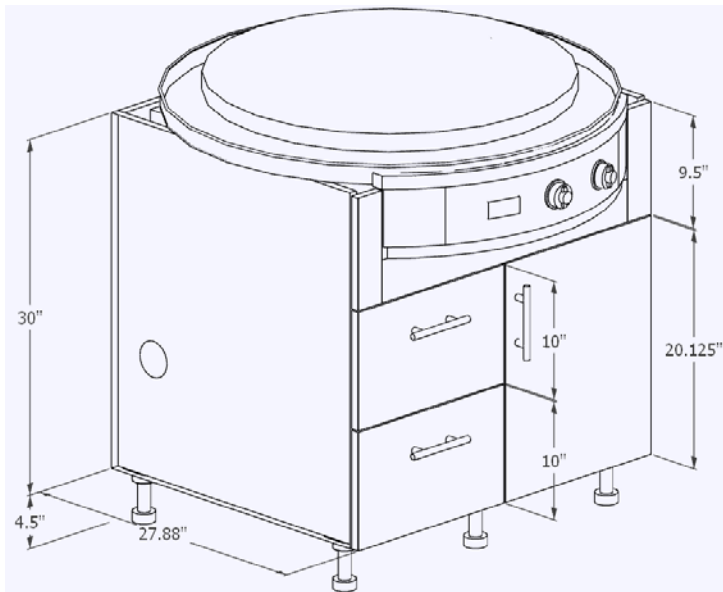


Product Description	
OGBxx60: Outdoor Grill Base, 6 Drawers. 9.75"H grill shelf (9.5"H trim kit sides)	
27" Depth SKU	24" Depth SKU
OGB5460	OGB5460-24
OGB5860	OGB5860-24
OGB6260	OGB6260-24

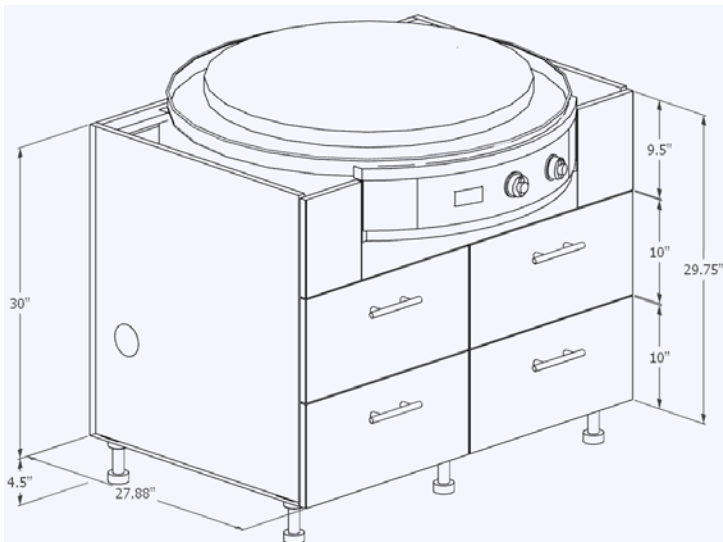
Grill Cabinets - EVO: OGBxxxx-EVO



Product Description	
OGBxx02-EVO: Outdoor Grill Base, 2 Doors. 9.75"H grill shelf (9.5"H trim kit sides), *countertop thickness must be 1.25"H*	
27" Depth SKU	24" Depth SKU
OGB3302-EVO	N/A
OGB3602-EVO	N/A
OGB3902-EVO	N/A
OGB4202-EVO	N/A

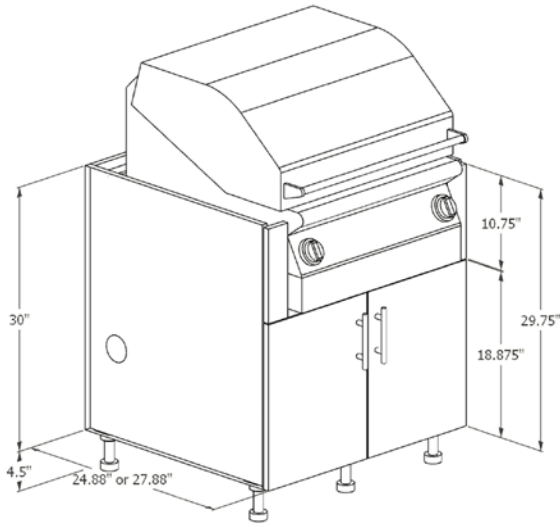


Product Description	
OGBxx21-EVO: Outdoor Grill Base, 2 Drawers, 1 Door. 9.75"H grill shelf (9.5"H trim kit sides), *countertop thickness must be 1.25"H*	
27" Depth SKU	24" Depth SKU
OGB3321-EVO	N/A
OGB3621-EVO	N/A
OGB3921-EVO	N/A
OGB4221-EVO	N/A

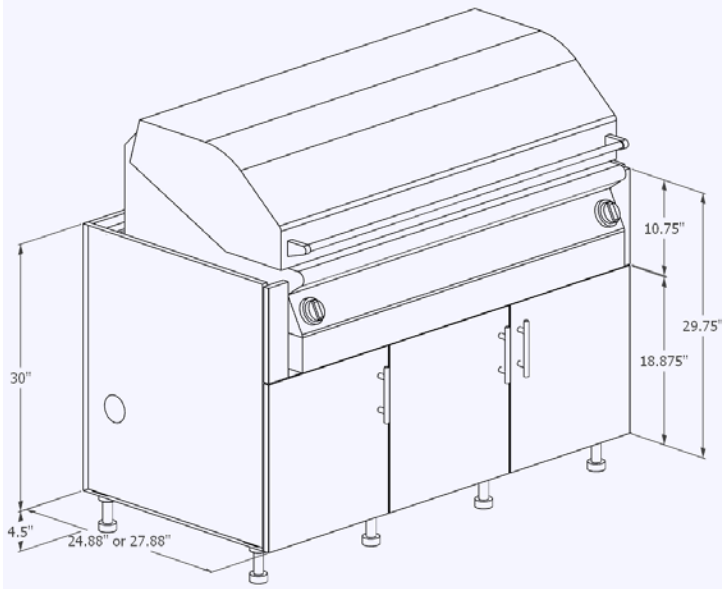


Product Description	
OGBxx40-EVO: Outdoor Grill Base, 4 Drawers. 9.75"H grill shelf (9.5"H trim kit sides), *countertop thickness must be 1.25"H*	
27" Depth SKU	24" Depth SKU
OGB3340-EVO	N/A
OGB3640-EVO	N/A
OGB3940-EVO	N/A
OGB4240-EVO	N/A

Grill Cabinets - 11"H Shelf: OGBxx02D, OGBxx03D

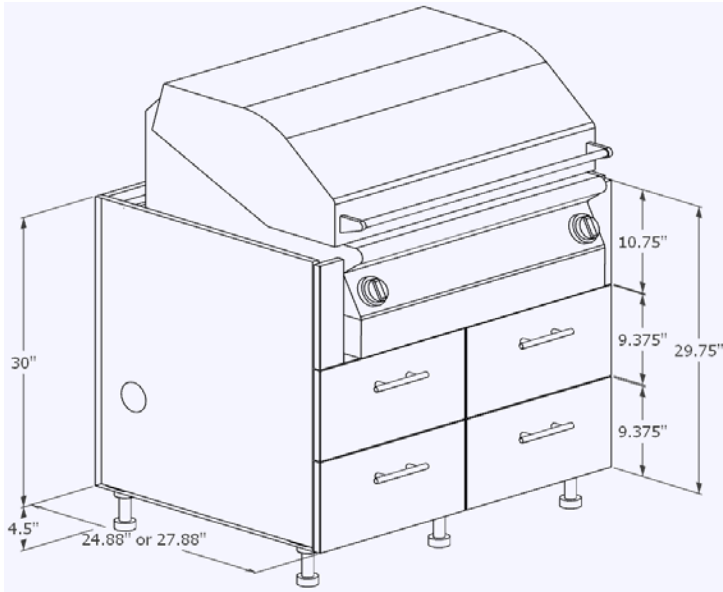


Product Description	
OGBxx02D: Outdoor Grill Base, 2 Doors, Deep. 11"H grill shelf (10.75"H trim kit sides)	
27" Depth SKU	24" Depth SKU
OGB3002D	OGB3002D-24
OGB3302D	OGB3302D-24
OGB3602D	OGB3602D-24
OGB4202D	OGB4202D-24
OGB4802D	OGB4802D-24

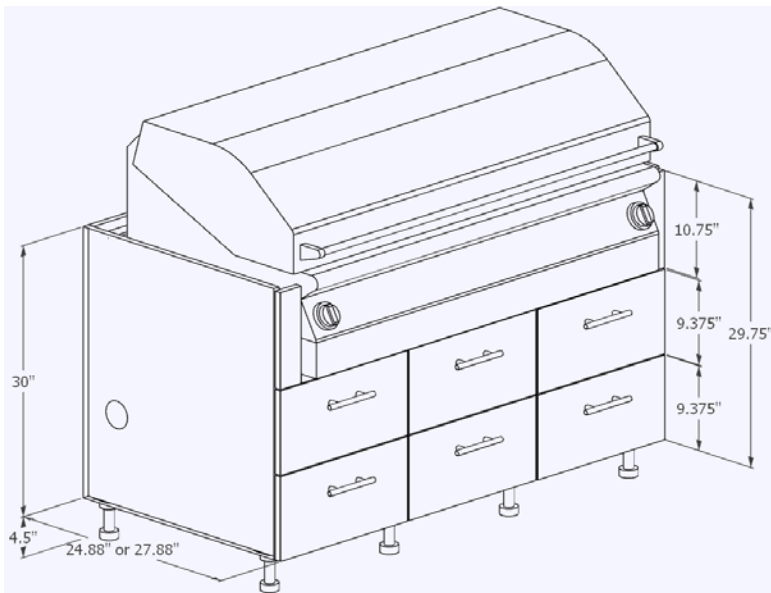


Product Description	
OGBxx03D: Outdoor Grill Base, 3 Doors, Deep. 11"H grill shelf (10.75"H trim kit sides)	
27" Depth SKU	24" Depth SKU
OGB5403D	OGB5403D-24
OGB5803D	OGB5803D-24
OGB6203D	OGB6203D-24

Grill Cabinets - 11"H Shelf: OGBxx40D, OGBxx60D

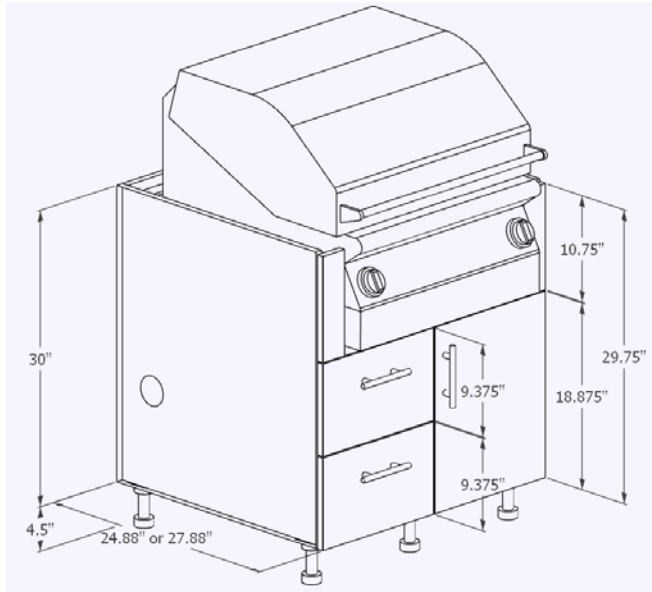


Product Description	
OGBxx40D: Outdoor Grill Base, 4 Drawers, Deep. 11"H grill shelf (10.75"H trim kit sides)	
27" Depth SKU	24" Depth SKU
OGB3640D	OGB3640D-24
OGB4940D	OGB3940D-24
OGB4240D	OGB4240D-24
OGB4540D	OGB4540D-24
OGB4840D	OGB4840D-24

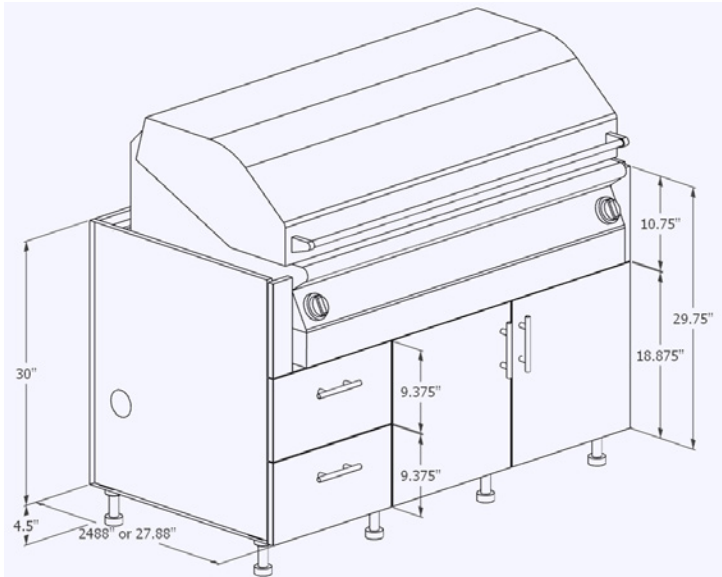


Product Description	
OGBxx60D: Outdoor Grill Base, Deep, 6 Drawers. 11"H grill shelf (10.75"H trim kit sides)	
27" Depth SKU	24" Depth SKU
OGB5460D	OGB5460D-24
OGB5860D	OGB5860D-24
OGB6260D	OGB6260D-24

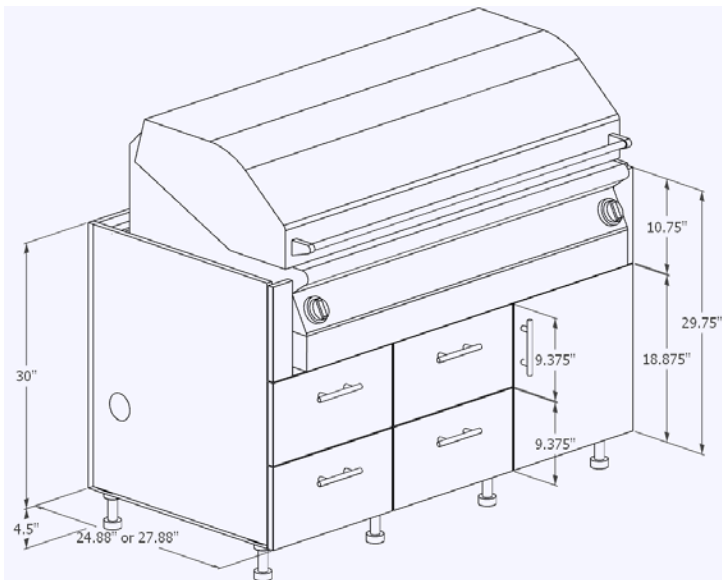
Grill Cabinets - 11"H Shelf: Drawers/Doors



Product Description	
OGBxx21D: Outdoor Grill Base, 2 Drawers, 1 Door, Deep. 11"H grill shelf (10.75"H trim kit sides)	
27" Depth SKU	24" Depth SKU
OGB3021D	OGB3021D-24
OGB3321D	OGB3321D-24
OGB3621D	OGB3621D-24
OGB4221D	OGB4221D-24
OGB4821D	OGB4821D-24

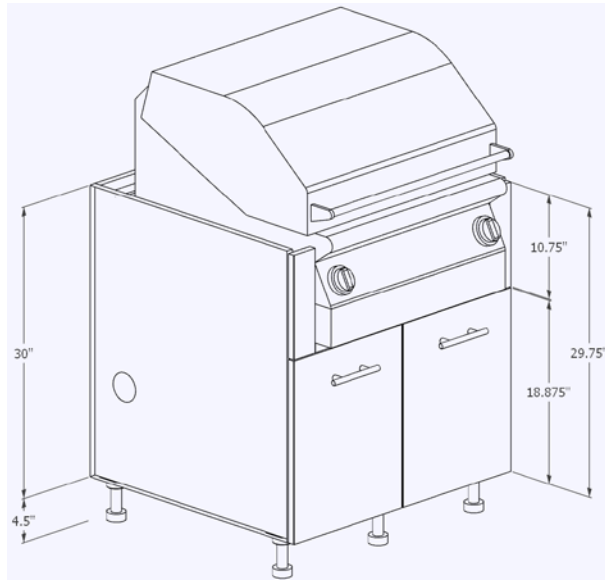


Product Description	
OGBxx22D: Outdoor Grill Base, Deep, 2 Drawers, 2 Doors. 11"H grill shelf (10.75"H trim kit sides)	
27" Depth SKU	24" Depth SKU
OGB5422D	OGB5422D-24
OGB5822D	OGB5822D-24
OGB6222D	OGB6222D-24

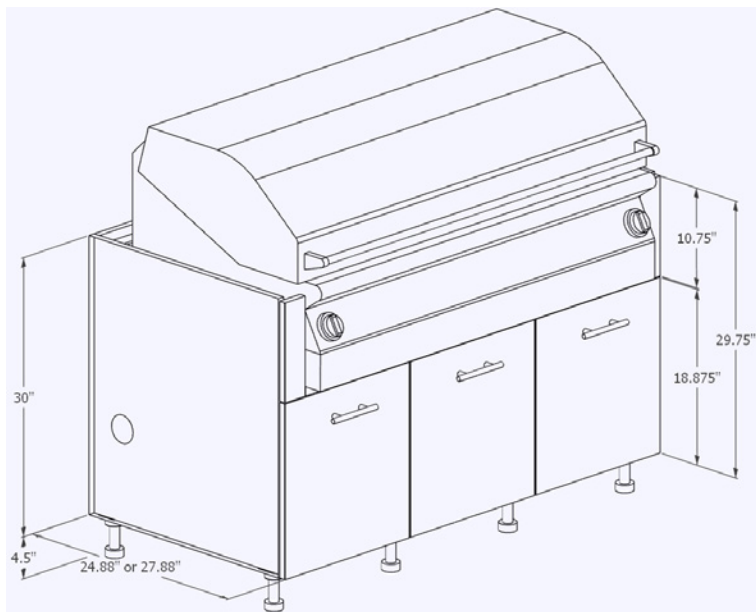


Product Description	
OGBxx41D: Outdoor Grill Base, Deep, 4 Drawers, 1 Door. 11"H grill shelf (10.75"H trim kit sides)	
27" Depth SKU	24" Depth SKU
OGB5441D	OGB5441D-24
OGB5841D	OGB5841D-24
OGB6241D	OGB6241D-24

Grill Cabinets - 11"H Shelf: OGBxx20D, OGBxx30D

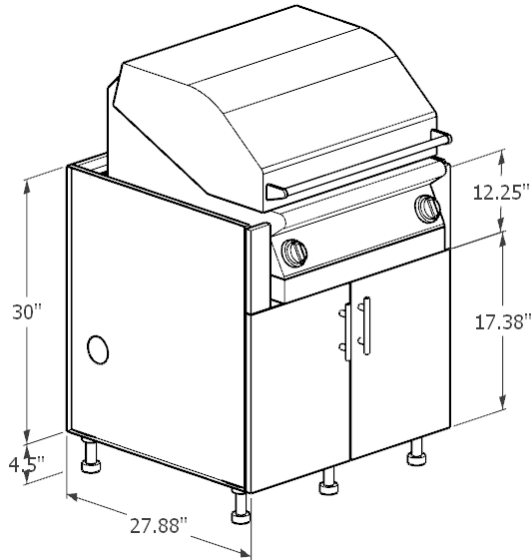


Product Description	
OGBxx20D: Outdoor Grill Base, Deep, 2 Full-Height Drawers. 11"H grill shelf (10.75"H trim kit sides)	
27" Depth SKU	24" Depth SKU
OGB3020D	OGB3020D-24
OGB3320D	OGB3320D-24
OGB3620D	OGB3620D-24
OGB3920D	OGB3920D-24
OGB4220D	OGB4220D-24
OGB4520D	OGB4520D-24
OGB4820D	OGB4820D-24

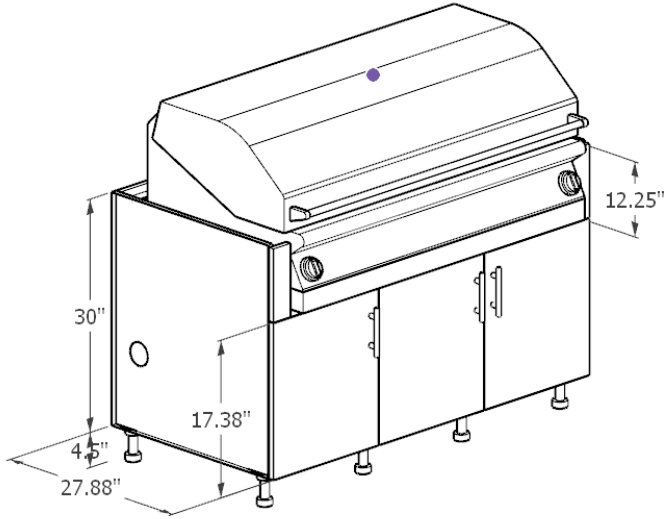


Product Description	
OGBxx30D: Outdoor Grill Base, Deep, 3 Full-Height Drawers. 11"H grill shelf (10.75"H trim kit sides)	
27" Depth SKU	24" Depth SKU
OGB5430D	OGB5430D-24
OGB5830D	OGB5830D-24
OGB6230D	OGB6230D-24

Grill Cabinets - 12.5"H Shelf: OGBxx02W, OGBxx03W

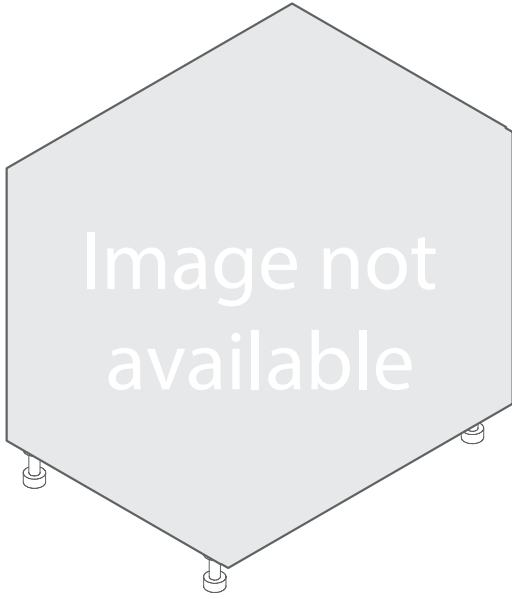


Product Description	
OGBxx02W: Outdoor Grill Base, 2 Doors 12.5"H grill shelf (12.25"H trim kit sides)	
27" Depth SKU	24" Depth SKU
OGB3602W	N/A
OGB3902W	N/A
OGB4202W	N/A
OGB4502W	N/A
OGB4802W	N/A

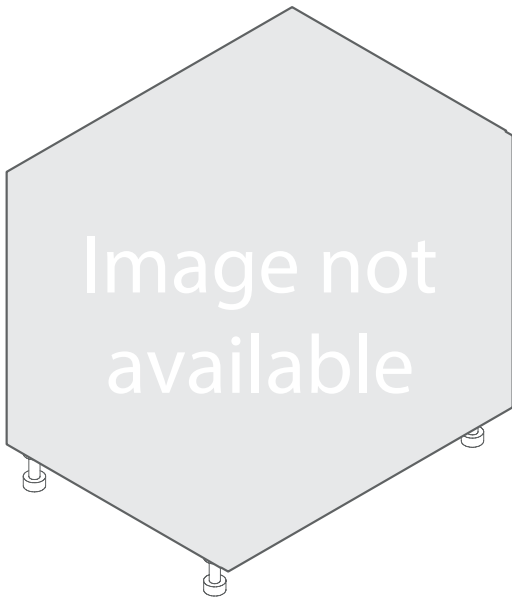


Product Description	
OGBxx03D: Outdoor Grill Base, 3 Doors 12.5"H grill shelf (12.25"H trim kit sides)	
27" Depth SKU	24" Depth SKU
OGB5403W	N/A
OGB5803W	N/A
OGB6203W	N/A

Grill Cabinets - 12.5"H Shelf: OGBxx20W, OGBxx30W

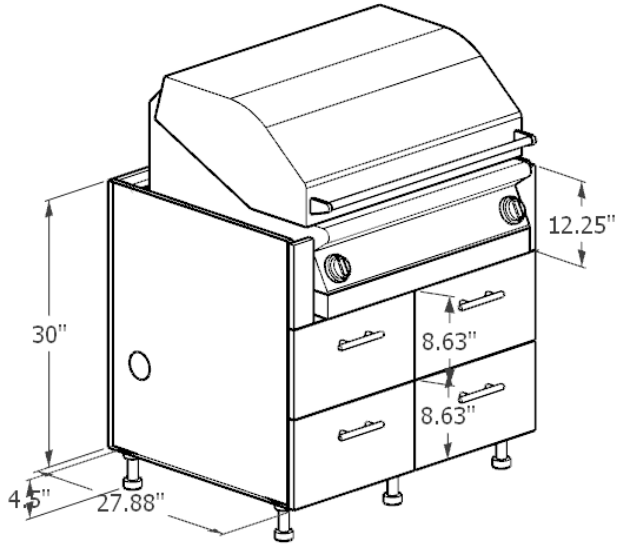


Product Description	
OGBxx20W: Outdoor Grill Base, 2 Drawers 12.5"H grill shelf (12.25"H trim kit sides)	
27" Depth SKU	24" Depth SKU
OGB3020W	N/A
OGB3320W	N/A
OGB3620W	N/A
OGB3920W	N/A
OGB4220W	N/A
OGB4520W	N/A
OGB4820W	N/A

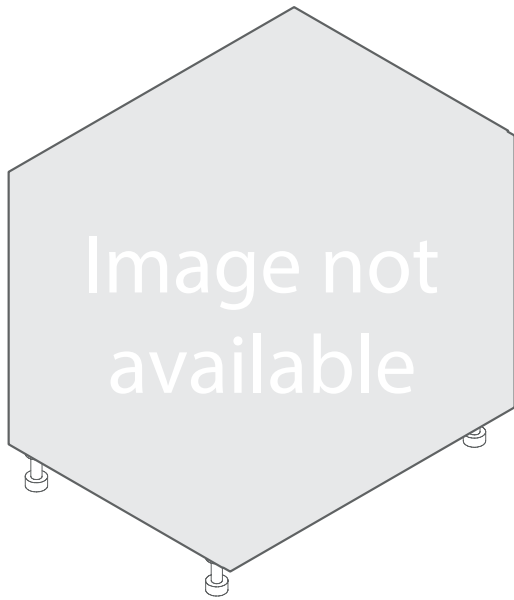


Product Description	
OGBxx30W: Outdoor Grill Base, 3 Drawers. 12.5"H grill shelf (12.25"H trim kit sides)	
27" Depth SKU	24" Depth SKU
OGB5430W	N/A
OGB5830W	N/A
OGB6230W	N/A

Grill Cabinets - 12.5"H Shelf: OGBxx40W, OGBxx60W

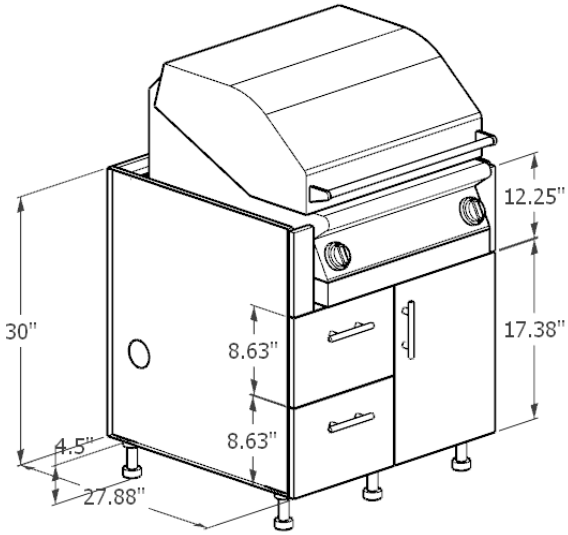


Product Description	
OGBxx40W: Outdoor Grill Base, 4 Drawers 12.5"H grill shelf (12.25"H trim kit sides)	
27" Depth SKU	24" Depth SKU
OGB3640W	N/A
OGB3940W	N/A
OGB4240W	N/A
OGB4540W	N/A
OGB4840W	N/A

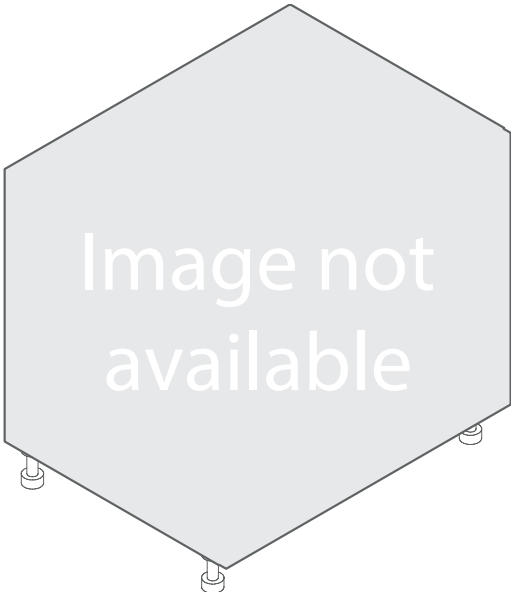


Product Description	
OGBxx60W: Outdoor Grill Base, 6 Drawers 12.5"H grill shelf (12.25"H trim kit sides)	
27" Depth SKU	24" Depth SKU
OGB5460W	N/A
OGB5860W	N/A
OGB6260W	N/A

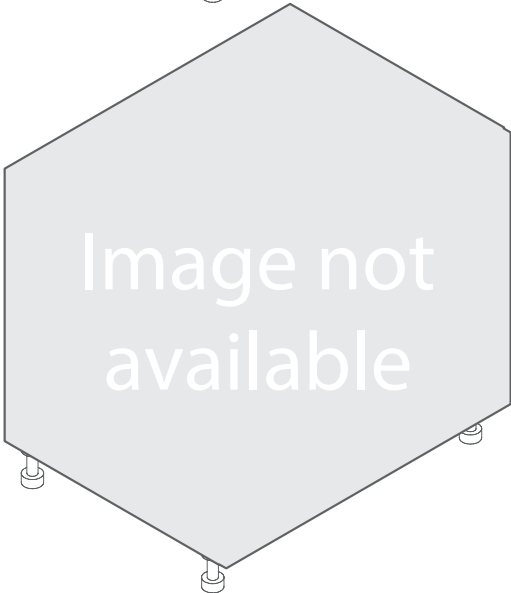
Grill Storage Cabinets - 12.5"H Shelf: OGBxxxxW



Product Description	
OGBxx21W: Outdoor Grill Base, 2 Drawers, 1 Door 12.5"H grill shelf (12.25"H trim kit sides)	
27" Depth SKU	24" Depth SKU
OGB3621W	N/A
OGB3921W	N/A
OGB4221W	N/A
OGB4521W	N/A
OGB4821W	N/A

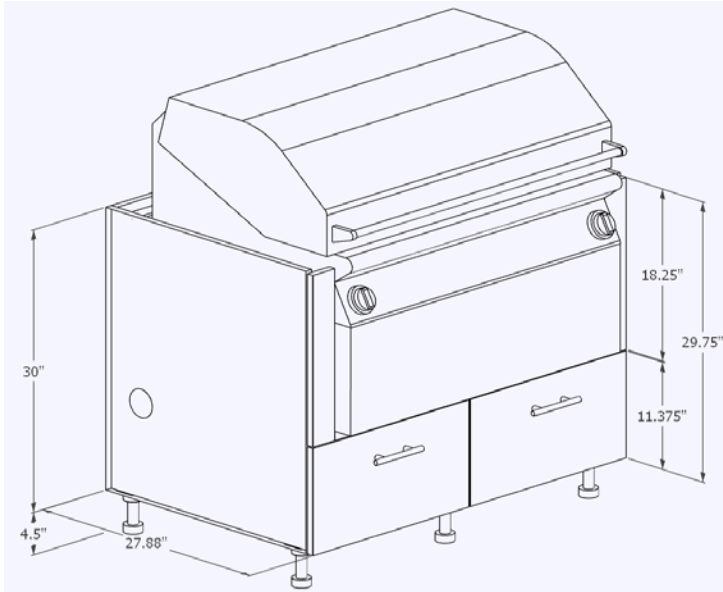


Product Description	
OGBxx22W: Outdoor Grill Base, 2 Drawers, 2 Doors. 12.5"H grill shelf (12.25"H trim kit sides)	
27" Depth SKU	24" Depth SKU
OGB5422W	N/A
OGB5822W	N/A
OGB6222W	N/A

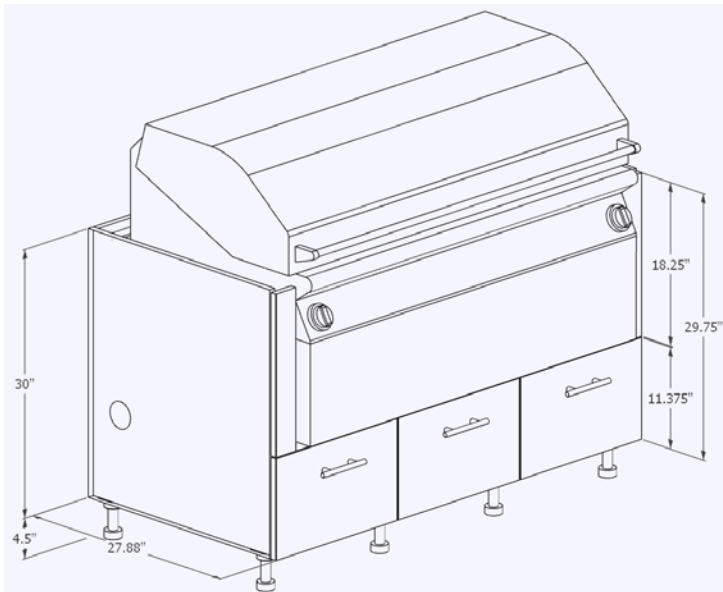


Product Description	
OGBxx41W: Outdoor Grill Base, 4 Drawers, 1 Door. 12.5"H grill shelf (12.25"H trim kit sides)	
27" Depth SKU	24" Depth SKU
OGB5441W	N/A
OGB5841W	N/A
OGB6241W	N/A

Grill Cabinets - 18.5"H Shelf: OGBxx20HB, OGBxx30HB

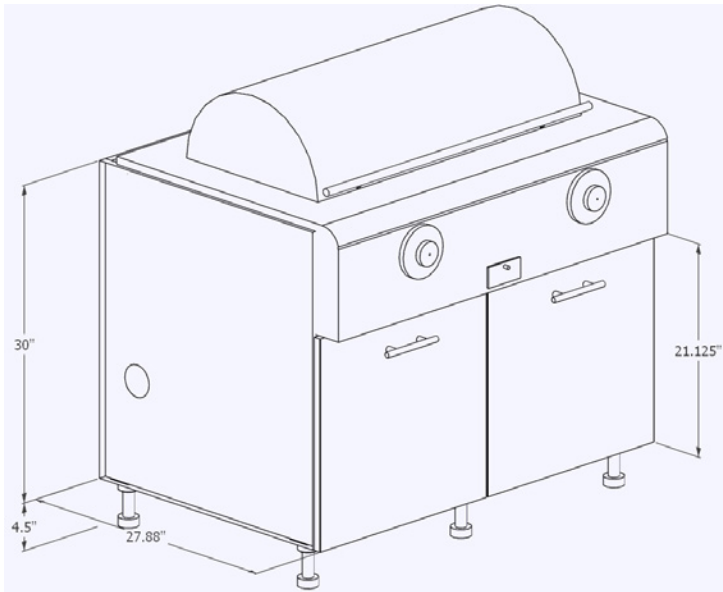


Product Description	
OGBxx20HB: Outdoor Grill Base 2 Drawers, extra deep shelf, for Hasty Bake grills and other extra deep cooking appliances. 18.50"H grill shelf (18.25"H trim kit sides)	
27" Depth SKU	24" Depth SKU
OGB3620HB	N/A
OGB3920HB	N/A
OGB4220HB	N/A
OGB4520HB	N/A
OGB4820HB	N/A



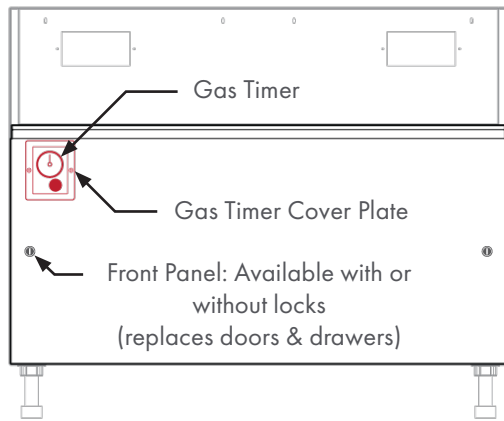
Product Description	
OGBxx30HB: Outdoor Grill Base, 3 Drawers, for Hasty Bake grills and other extra deep cooking appliances. 18.50"H grill shelf (18.25"H trim kit sides)	
27" Depth SKU	24" Depth SKU
OGB5430HB	N/A
OGB5830HB	N/A

Grill Cabinets - OGBxx20-CALIBER ROCKWELL



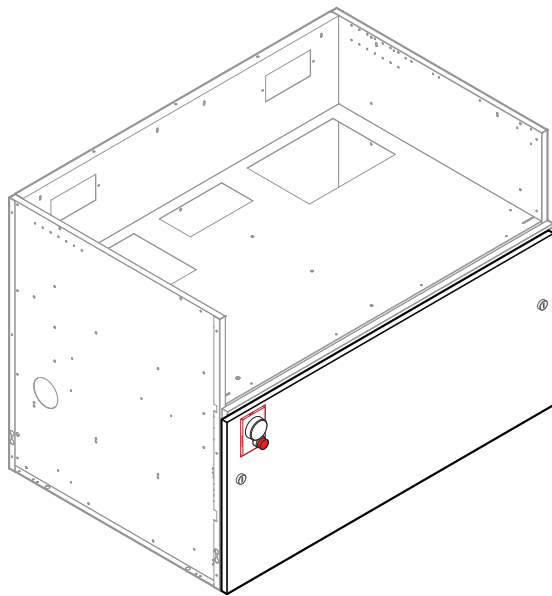
Product Description	
<p>OGBxx20-CALIBER ROCKWELL: Outdoor Grill Base, 2 Drawers, used ONLY for Caliber Rockwell grills of the same size, *NO TRIM KIT NEEDED! *this cabinet cannot be used on the end of a run, please call sales rep to discuss*</p>	
27" Depth SKU	24" Depth SKU
OGB4220-CALIBER ROCKWELL	N/A
OGB4820-CALIBER ROCKWELL	N/A

Grill Cabinets - Gas Stop Timer



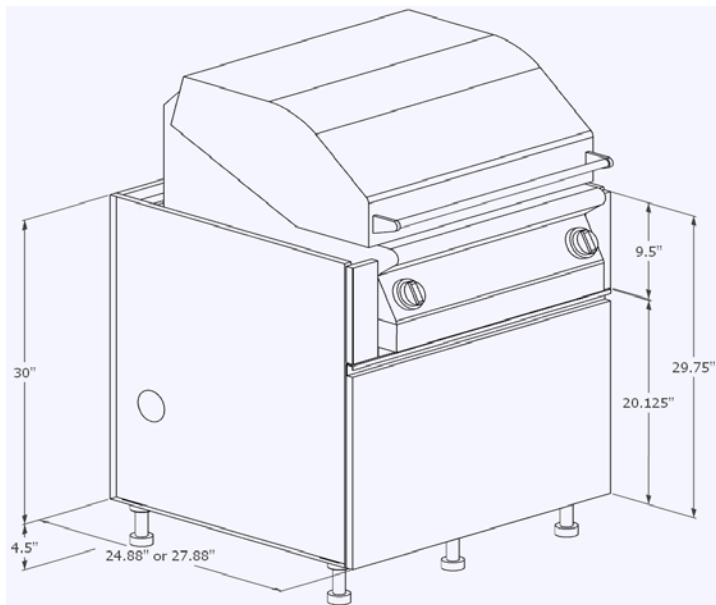
OGBxx00GS

Product Description	
OGBxx00P: Outdoor Grill Base, No Doors/Drawers, Full bottom Tecno-style Panel with 1-hour Gas Shutoff Timer included. 9.75"H grill shelf (9.5"H trim kit sides)	
27" Depth SKU	24" Depth SKU
OGB3600 GS	OGB3600-24 GS
OGB3900 GS	OGB3900-24 GS
OGB4200 GS	OGB4200-24 GS
OGB4500 GS	OGB4500-24 GS
OGB4800 GS	OGB4800-24 GS

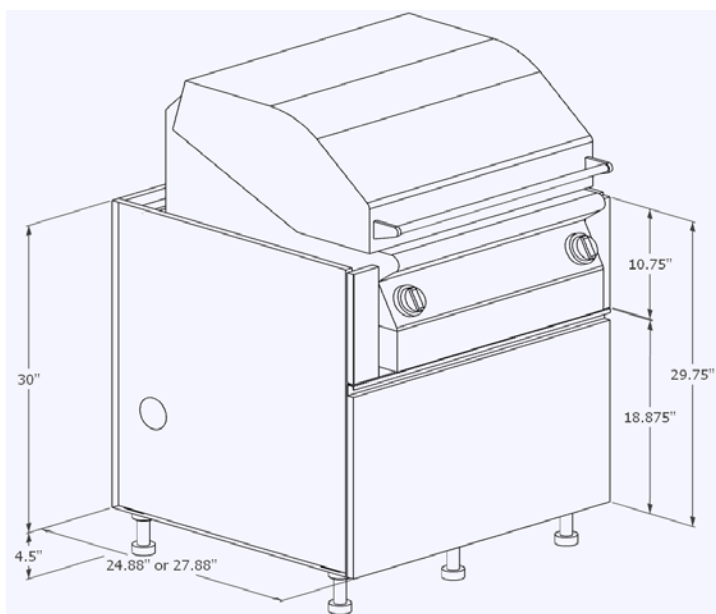


Product Description	
OGBxx00P: Outdoor Grill Base Deep, No Doors/Drawers, Full bottom Tecno-style Panel with 1-hour Gas Shutoff Timer included. 11"H grill shelf (10.75"H trim kit sides)	
27" Depth SKU	24" Depth SKU
OGB3600D GS	OGB3600D-24 GS
OGB3900D GS	OGB3900D-24 GS
OGB4200D GS	OGB4200D-24 GS
OGB4500D GS	OGB4500D-24 GS
OGB4800D GS	OGB4800D-24 GS

Grill Cabinets - Tecno Style

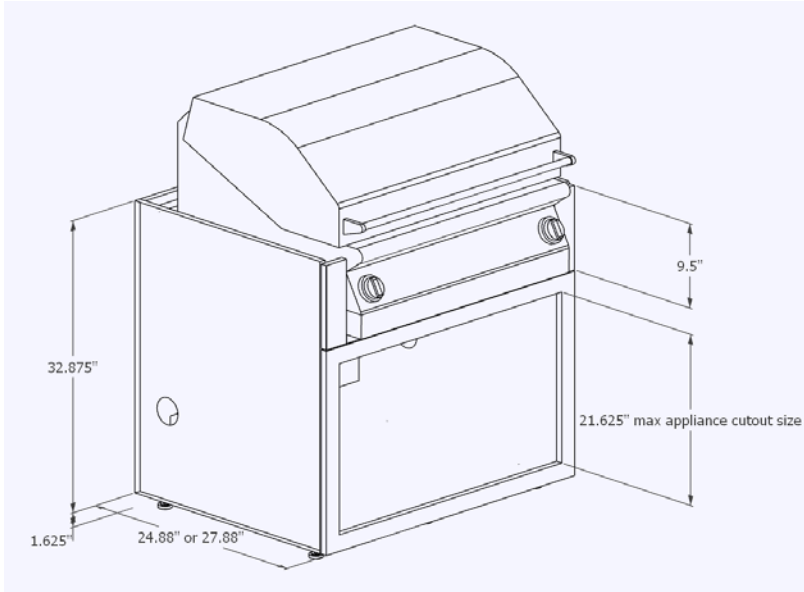


Product Description	
OGBxx00P: Outdoor Grill Base, No Doors/Drawers, Full-Face Tecno-style Panel, installed on magnets with no hinges. 9.75"H grill shelf (9.5"H trim kit sides)	
27" Depth SKU	24" Depth SKU
OGB3000P	OGB3000P-24
OGB3300P	OGB3300P-24
OGB3600P	OGB3600P-24
OGB3900P	OGB3900P-24
OGB4200P	OGB4200P-24
OGB4500P	OGB4500P-24
OGB4800P	OGB4800P-24

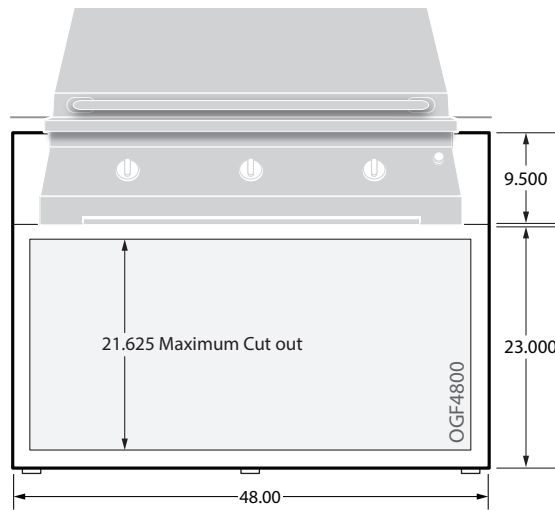


Product Description	
OGBxx00DP: Outdoor Grill Base, Deep, No Doors/Drawers, Full-Face Tecno-style Panel, installed on magnets with no hinges. 11"H grill shelf (10.75"H trim kit sides)	
27" Depth SKU	24" Depth SKU
OGB3000DP	OGB3000DP-24
OGB3300DP	OGB3300DP-24
OGB3600DP	OGB3600DP-24
OGB3900DP	OGB3900DP-24
OGB4200DP	OGB4200DP-24
OGB4500DP	OGB4500DP-24
OGB4800DP	OGB4800DP-24

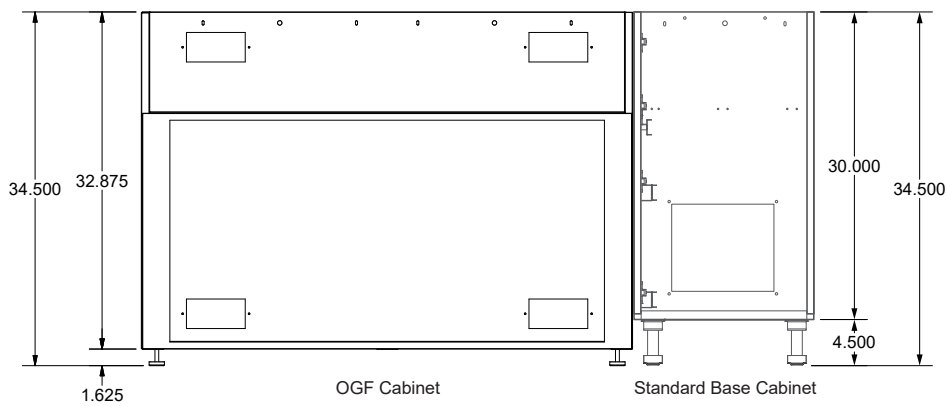
Grill/Large Insert Cabinets - OGFxx00



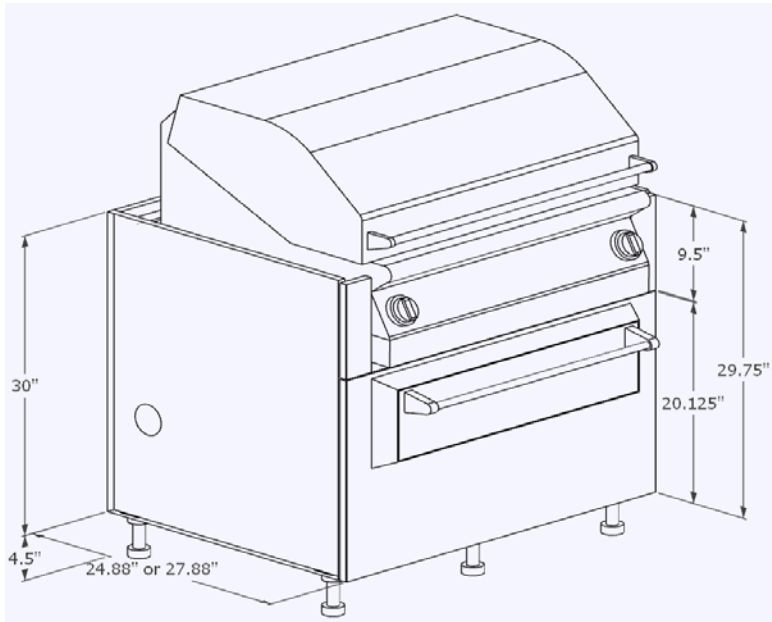
Product Description	
OGFxx00: Outdoor Grill Base for grill and large insert such as refrigerator or dry pantry. 9.75"H grill shelf (9.5"H trim kit sides)	
27" Depth SKU	24" Depth SKU
OGF3600	OGF3600-24
OGF4200	OGF4200-24
OGF4800	OGF4800-24
OGF5400	OGF5400-24
OGF6200	OGF6200-24



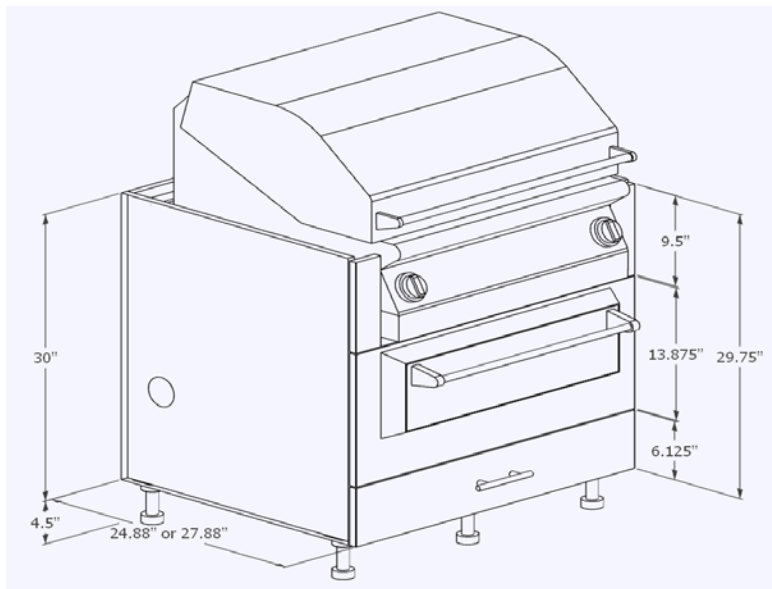
NOTE: OGF bases have a larger cabinet box than standard cabinets.



Grill/Warming Drawer Cabinets - OGWxx00, OGWxx10

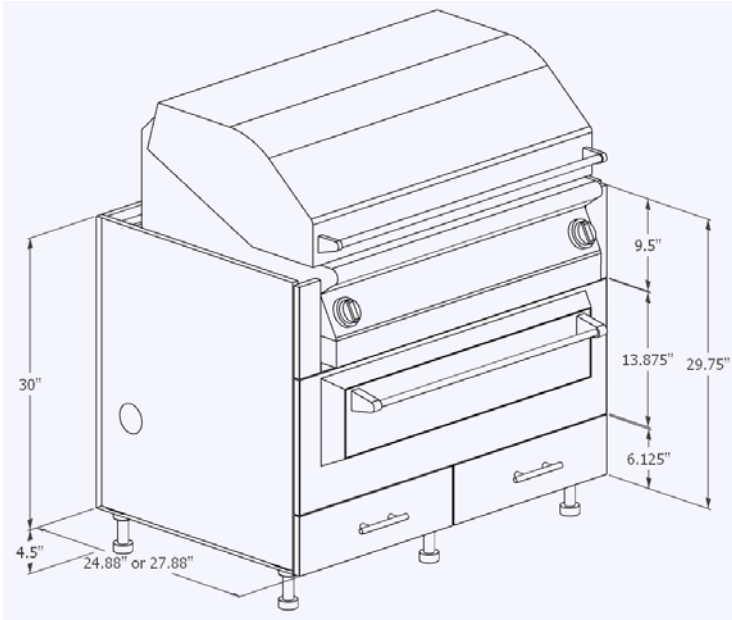


Product Description	
OGWxx00: Outdoor Grill Base for Warming Drawer Insert, No Doors or Drawers. 9.75"H grill shelf (9.5"H trim kit sides)	
27" Depth SKU	24" Depth SKU
OGW3600	N/A
OGW4200	N/A
OGW4800	N/A

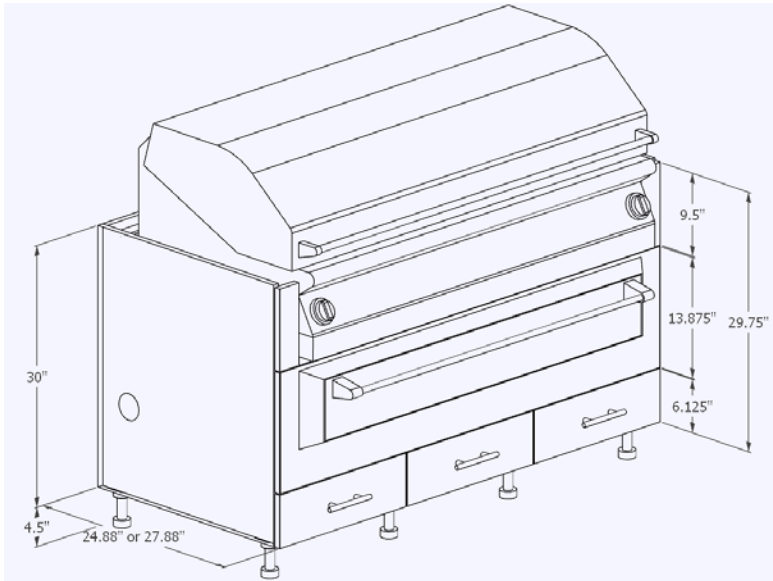


Product Description	
OGWxx10: Outdoor Grill Base for Warming Drawer Insert, 1 Drawer. 9.75"H grill shelf (9.5"H trim kit sides)	
27" Depth SKU	24" Depth SKU
OGW3310	OGW3310-24
OGW3610	OGW3610-24

Grill/Warming Drawer Cabinets - OGxx20, OGWxx30

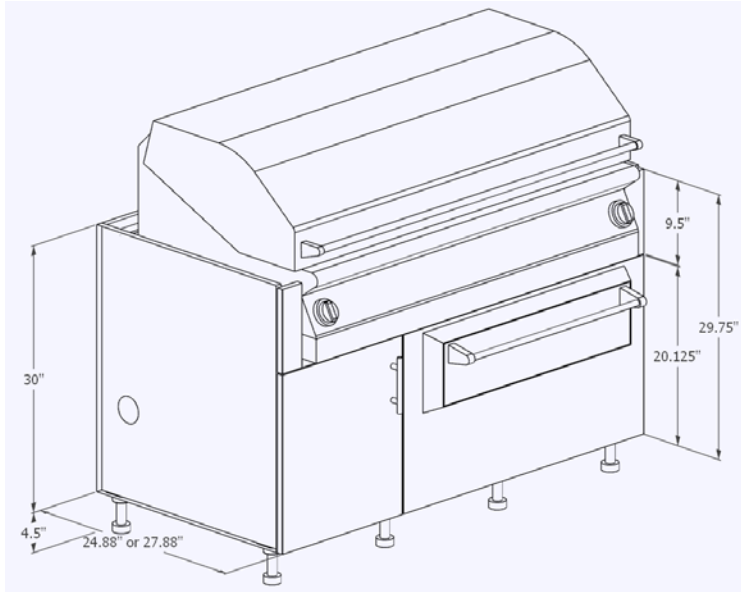


Product Description	
OGWxx20: Outdoor Grill Base for Warming Drawer Insert, 2 Drawers. 9.75"H grill shelf (9.5"H trim kit sides)	
27" Depth SKU	24" Depth SKU
OGW4220	OGW4220-24
OGW4820	OGW4820-24
OGW5420	OGW5420-24

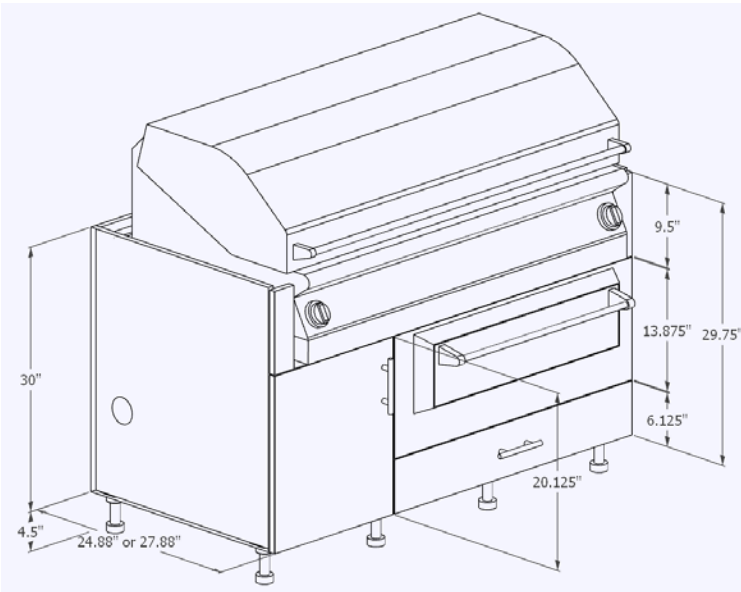


Product Description	
OGWxx30: Outdoor Grill Base for Warming Drawer Insert, 3 Drawers. 9.75"H grill shelf (9.5"H trim kit sides)	
27" Depth SKU	24" Depth SKU
OGW5830	OGW5830-24
OGW6230	OGW6230-24

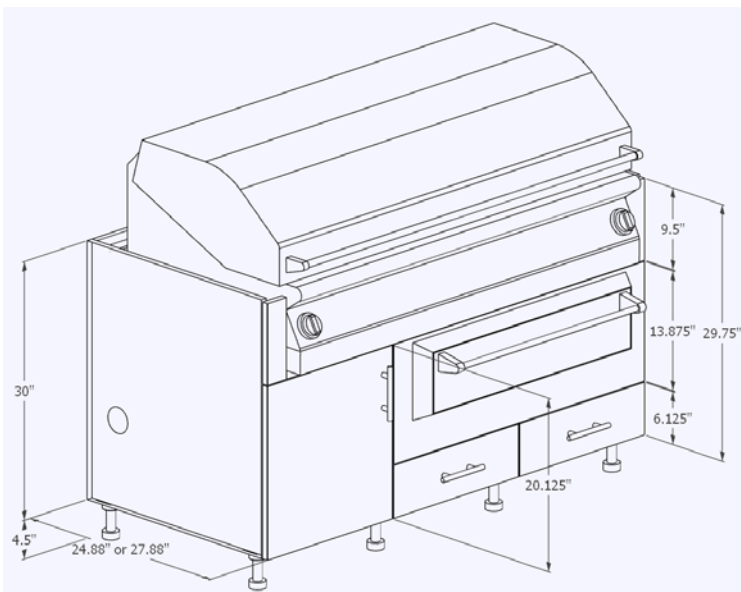
Grill/Warming Drawer Cabinets - OGWxx01, OGWxx11



Product Description	
OGWxx01: Outdoor Grill Base for Warming Drawer Insert, 1 Door.. 9.75"H grill shelf (9.5"H trim kit sides)	
27" Depth SKU	24" Depth SKU
OGW5401	OGW5401-24
OGW5801	OGW5801-24
OGW6201	OGW6201-24

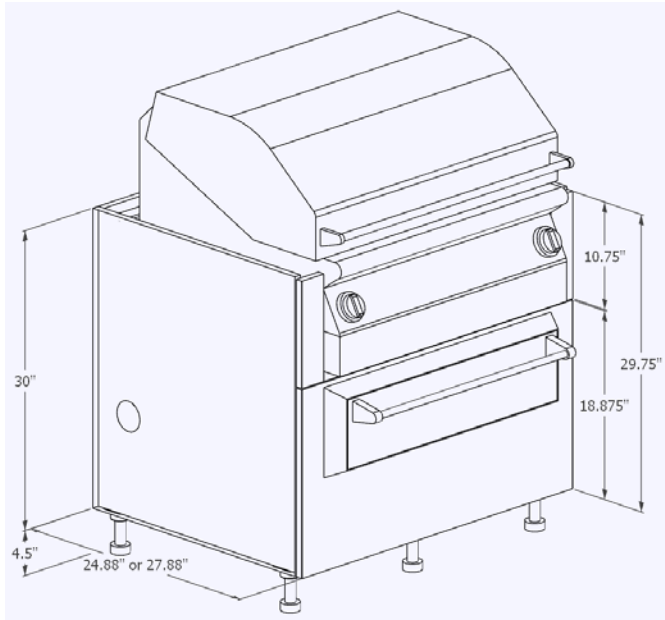


Product Description	
OGWxx11: Outdoor Grill Base for Warming Drawer Insert, 1 Door, 1 Drawer. 9.75"H grill shelf (9.5"H trim kit sides)	
27" Depth SKU	24" Depth SKU
OGW5411	OGW5411-24
OGW5811	OGW5811-24
OGW6211	OGW6211-24

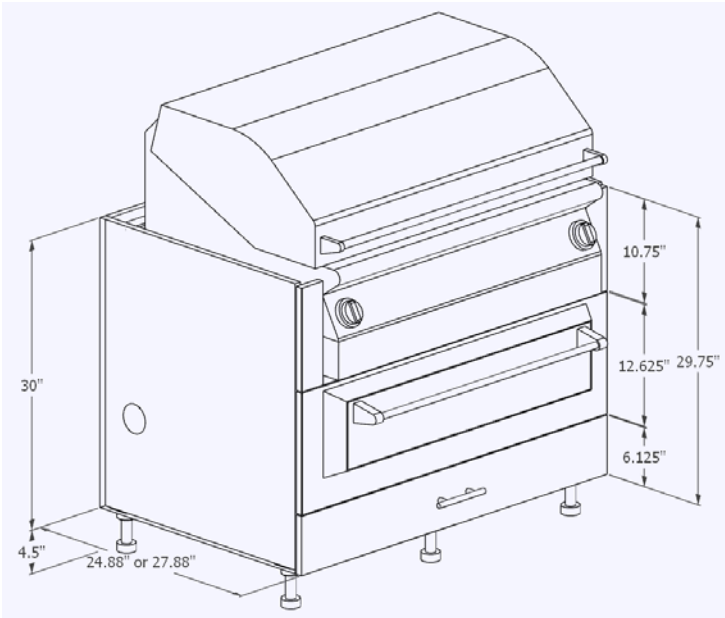


Product Description	
OGWxx21: Outdoor Grill Base, for Warming Drawer Insert, 1 Door, 2 Dawers. 9.75"H grill shelf (9.5"H trim kit sides)	
27" Depth SKU	24" Depth SKU
OGW5421	OGW5421-24
OGW5821	OGW5821-24
OGW6221	OGW6221-24

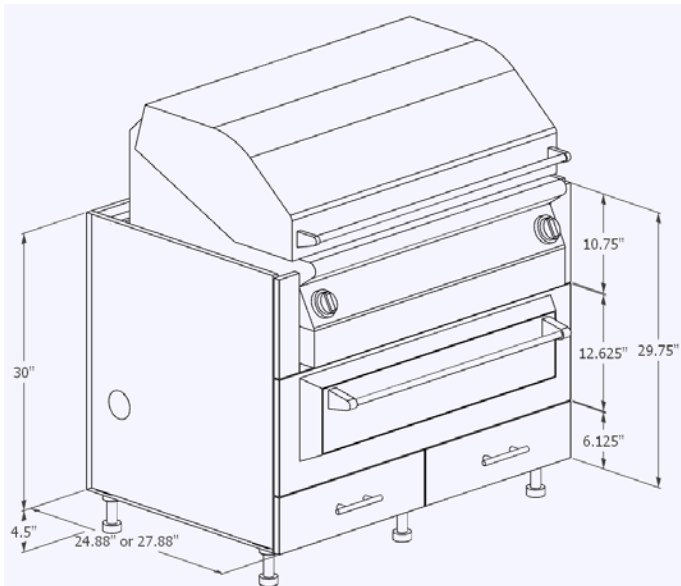
Grill/Warming Drawer Cabinets - 11"H Shelf: OGWxxxxD



Product Description	
OGWxx00D: Outdoor Grill Base, Deep, for Warming Drawer Insert, No Doors or Drawers. 11"H grill shelf (10.75"H trim kit sides)	
27" Depth SKU	24" Depth SKU
OGW3600D	OGW3600D-24
OGW4200D	OGW4200D-24
OGW4800D	OGW4800D-24

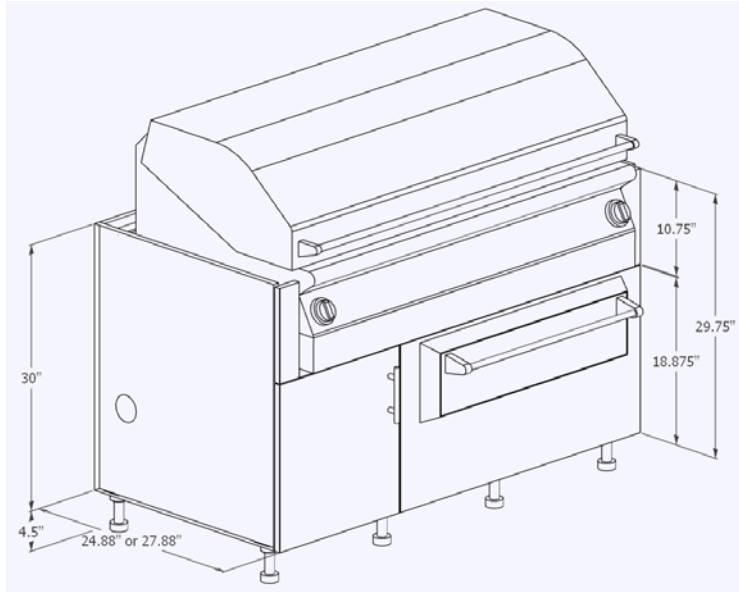


Product Description	
OGWxx10D: Outdoor Grill Base, Deep, for Warming Drawer Insert, 1 Drawer. 11"H grill shelf (10.75"H trim kit sides)	
27" Depth SKU	24" Depth SKU
OGW3310D	OGW3310D-24
OGW3610D	OGW3610D-24

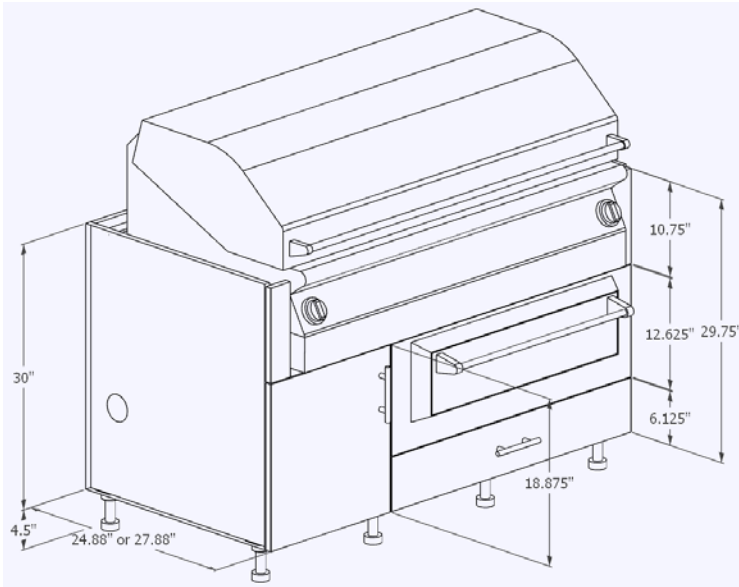


Product Description	
OGWxx20D: Outdoor Grill Base, Deep, for Warming Drawer Insert, 2 Drawers. 11"H grill shelf (10.75"H trim kit sides)	
27" Depth SKU	24" Depth SKU
OGW4220D	OGW4220D-24
OGW4820D	OGW4820D-24
OGW5420D	OGW5420D-24

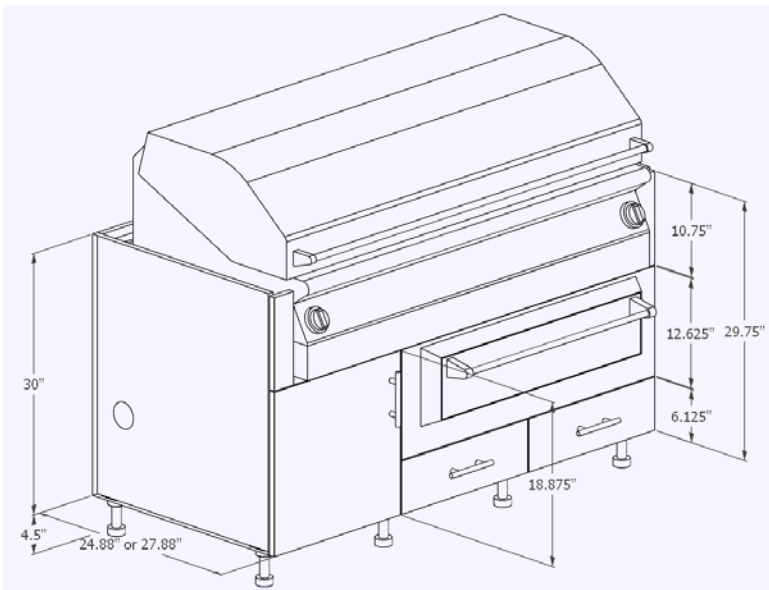
Grill/Warming Drawer Cabinets - 11”H Shelf: Door, Drawers/Door



Product Description	
OGWxx01D: Outdoor Grill Base, Deep, for Warming Drawer Insert, 1 Door. 11”H grill shelf (10.75”H trim kit sides)	
27” Depth SKU	24” Depth SKU
OGW5401D	OGW5401D-24
OGW5801D	OGW5801D-24
OGW6201D	OGW6201D-24

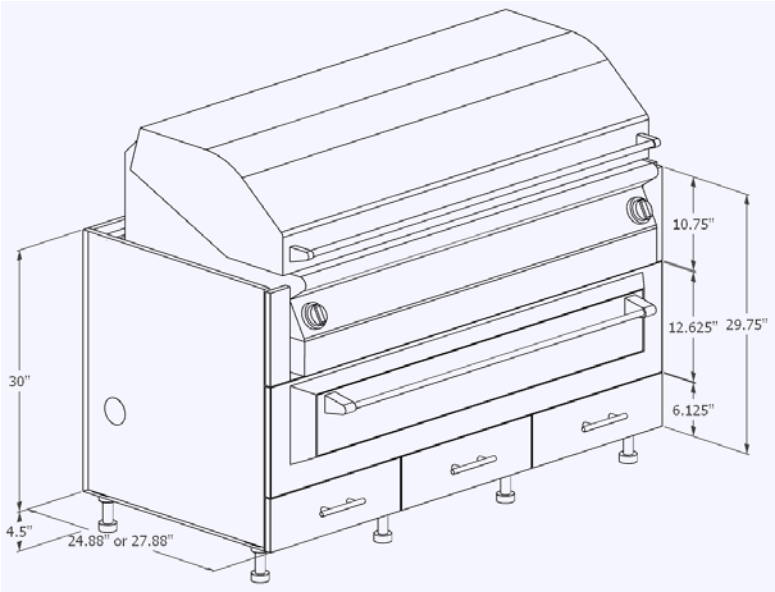


Product Description	
OGWxx11D: Outdoor Grill Base, Deep, for Warming Drawer Insert, 1 Door, 1 Drawer. 11”H grill shelf (10.75”H trim kit sides)	
27” Depth SKU	24” Depth SKU
OGW5411D	OGW5411D-24
OGW5811D	OGW5811D-24
OGW6211D	OGW6211D-24



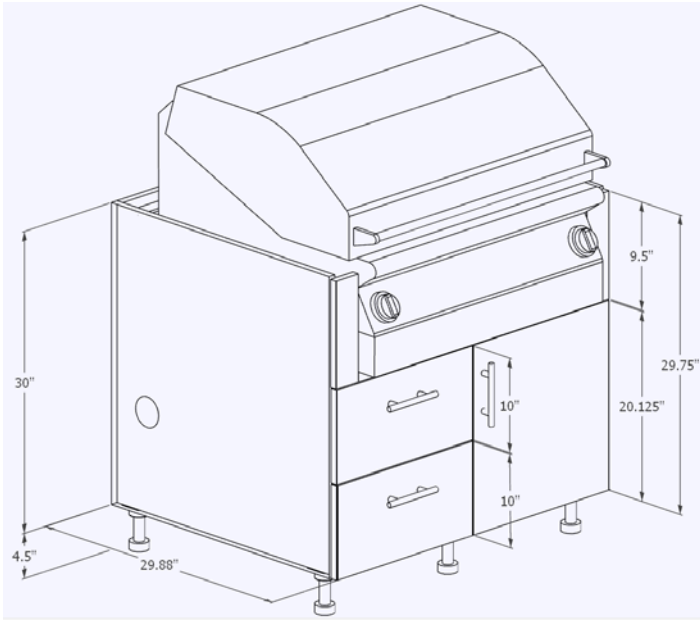
Product Description	
OGWxx21D: Outdoor Grill Base, Deep, for Warming Drawer Insert, 1 Door, 2 Dawers. 11”H grill shelf (10.75”H trim kit sides)	
27” Depth SKU	24” Depth SKU
OGW5421D	OGW5421D-24
OGW5821D	OGW5821D-24
OGW6221D	OGW6221D-24

Grill/Warming Drawer Cabinets - 11”H Shelf: 3 Drawers



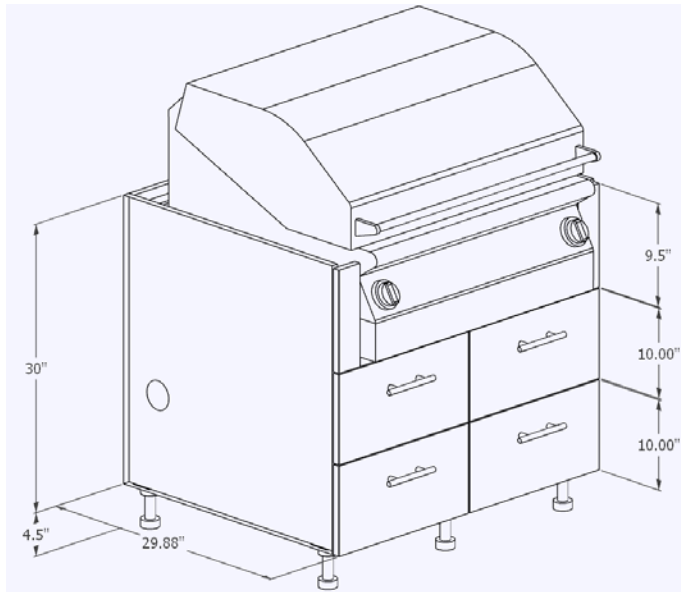
Product Description	
OGWxx30D: Outdoor Grill Base, Deep, for Warming Drawer Insert, 3 Drawers. 11”H grill shelf (10.75”H trim kit sides)	
27” Depth SKU	24” Depth SKU
OGW5830D	OGW5830D-24
OGW6230D	OGW6230D-24

Viking Grill Cabinets - VGBxxxx

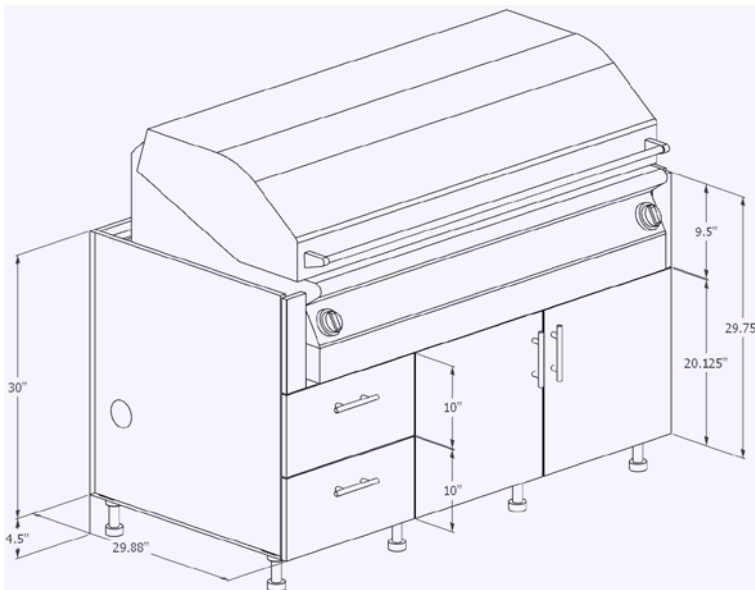


Note: Viking Appliance Bases are for old, pre-existing Viking grills and side burners. New models are able to fit in standard 27.88" D appliance cabinets. Please verify the model year and cutout dimensions of any Viking appliance used to choose the correct base.

Product Description
VGBxx21: Outdoor Viking Grill base, 2 Drawers, 1 Door. 9.75"H appliance shelf (9.5"H trim kit sides)
29.88" Depth SKU
VGB3321
VGB3621
VGB4821

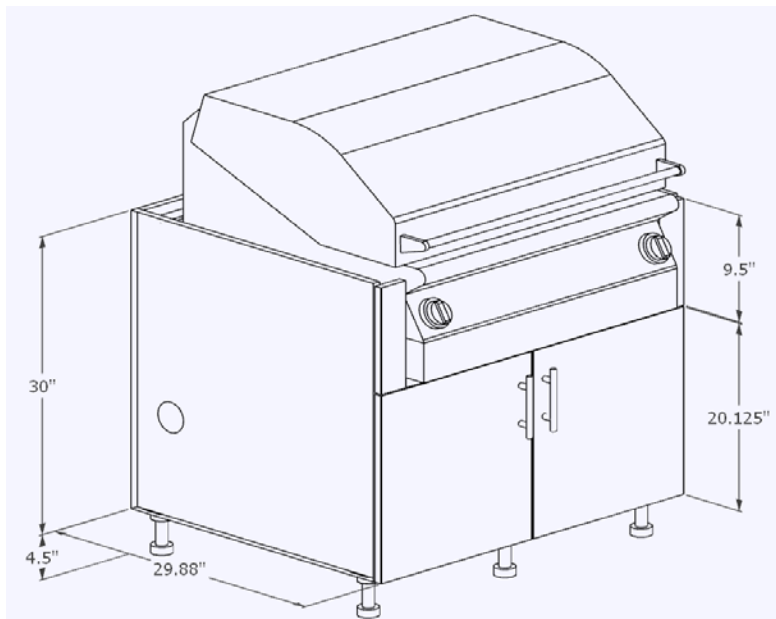


Product Description
VGBxx40: Outdoor Viking Grill base, 4 Drawers. 9.75"H appliance shelf (9.5"H trim kit sides)
29.88" Depth SKU
VGB3640
VGB4840

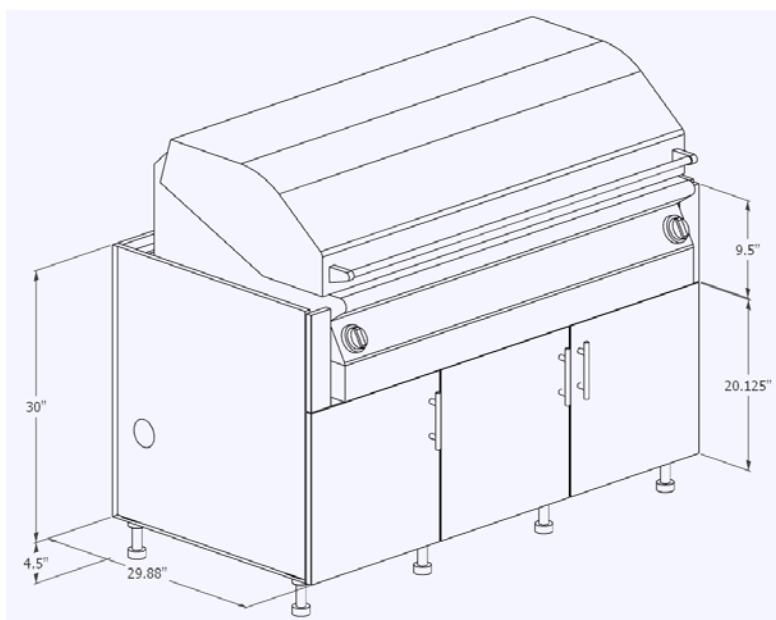


Product Description
VGB5822: Outdoor Viking Grill base, 2 Doors, 2 drawers. 9.75"H appliance shelf (9.5"H trim kit sides)
29.88" Depth SKU
VGB5822

Viking Grill Cabinets - VGBxx02, VGBxx03

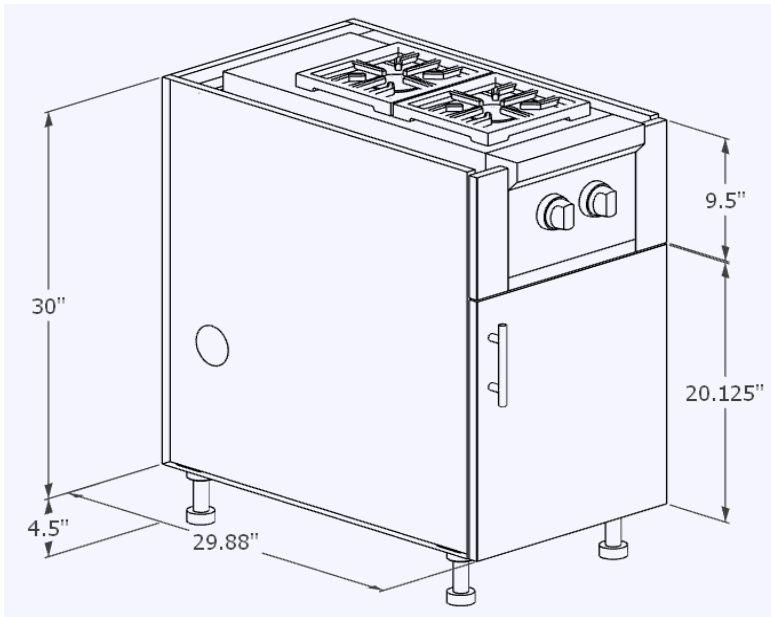


Product Description
VGBxx02: Outdoor Viking Grill base, 2 Doors. 9.75"H appliance shelf (9.5"H trim kit sides)
29.88" Depth SKU
VGB3602
VGB4802

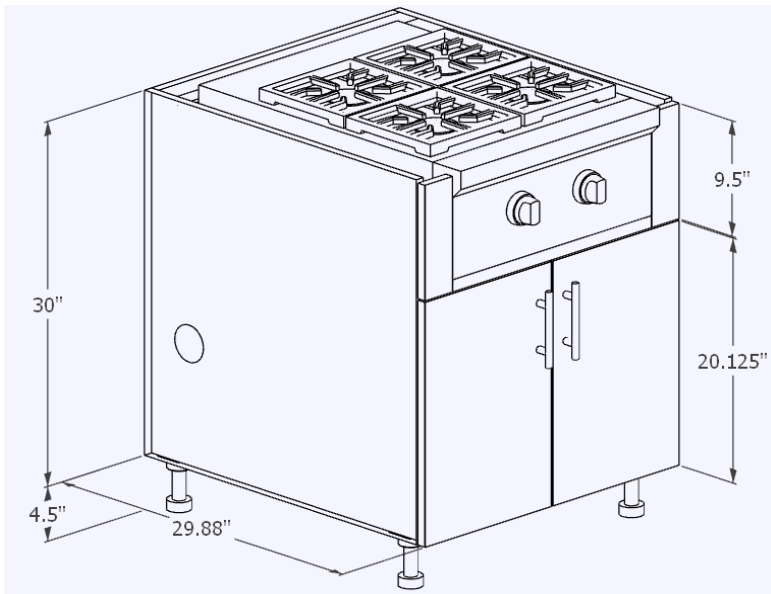


Product Description
VGB5803: Outdoor Viking Grill base, 3 Doors. 9.75"H appliance shelf (9.5"H trim kit sides)
29.88" Depth SKU
VGB5803

Viking Side Burner Base Cabinets - VBBxx01, VBBxx02



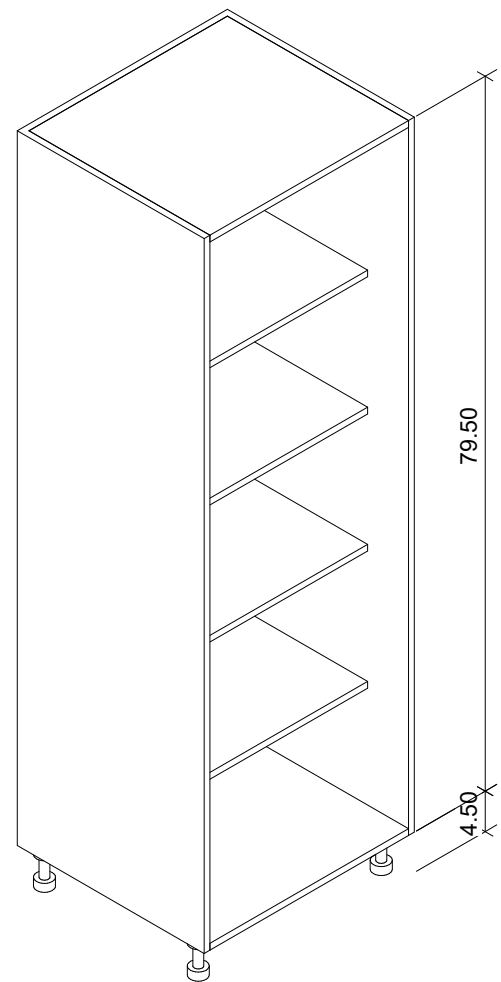
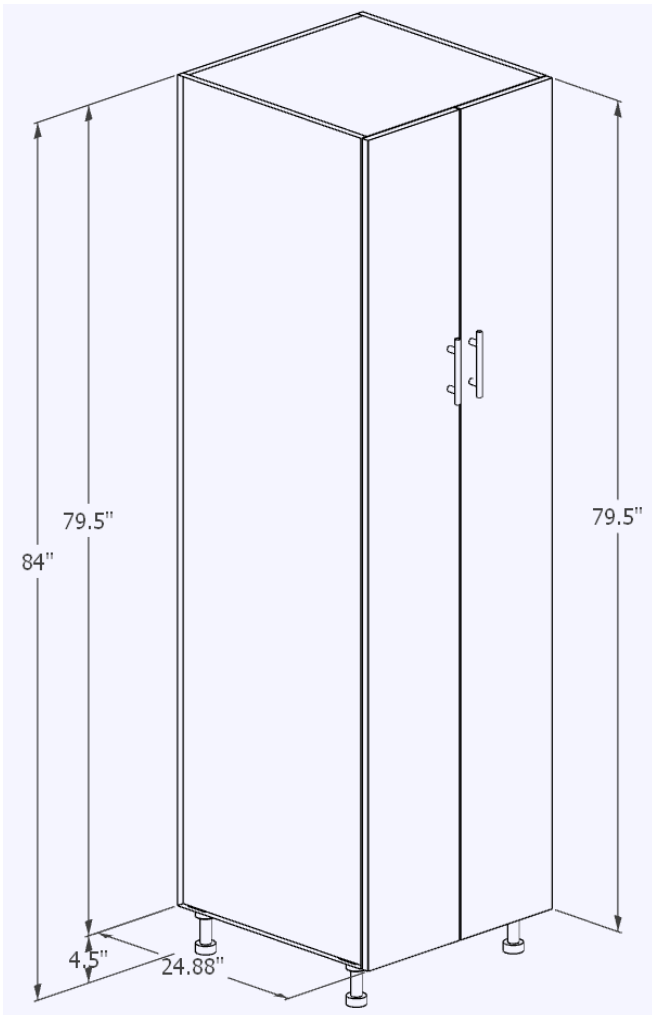
Product Description
VBBxx01: Outdoor Viking Grill base, 1 Door. 9.75"H appliance shelf (9.5"H trim kit sides)
29.88" Depth SKU
VBB1801-LH
VBB1801-RH
VBB2101-LH
VBB2101-RH



Product Description
VBBxx02: Outdoor Viking Grill base, 2 Doors. 9.75"H appliance shelf (9.5"H trim kit sides)
29.88" Depth SKU
VBB2702
VBB3002

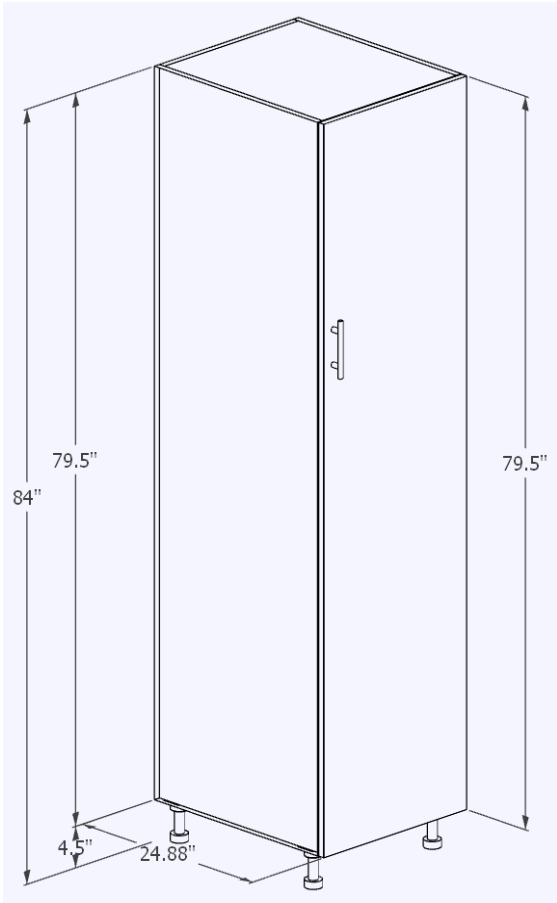
Tall Storage Cabinets - TBxxxx

- Available in heights of 84", 90" and 96". The height includes the cabinet box and 4.5"H adjustable leg.
- 24"D cabinet boxes only, 24.88"D with fronts
- 84"H tall bases 18" or 21"W are available with a single Full-Height Door. 84"H tall bases 24"W and wider are available with 2 Full-Height Doors.
- 18"W and 21"W tall bases have 2 Doors (1 upper and 1 lower) at 90"H and 96"H, and there is an option for 2 doors at 84"H as well. 24"W and wider have 4 doors.
- Oven cabinets (TT) start at 27" in width.
- Cabinets come standard with 4.50" adjustable legs.
- A square-tapered stainless steel leg with adjustable foot is also available for an open contemporary look.
- Black anodized toe kick may be ordered and cut on-site.
- Available with optional pull-out and stationary shelves.
- Flush and 3/4" thick finished side panels available.

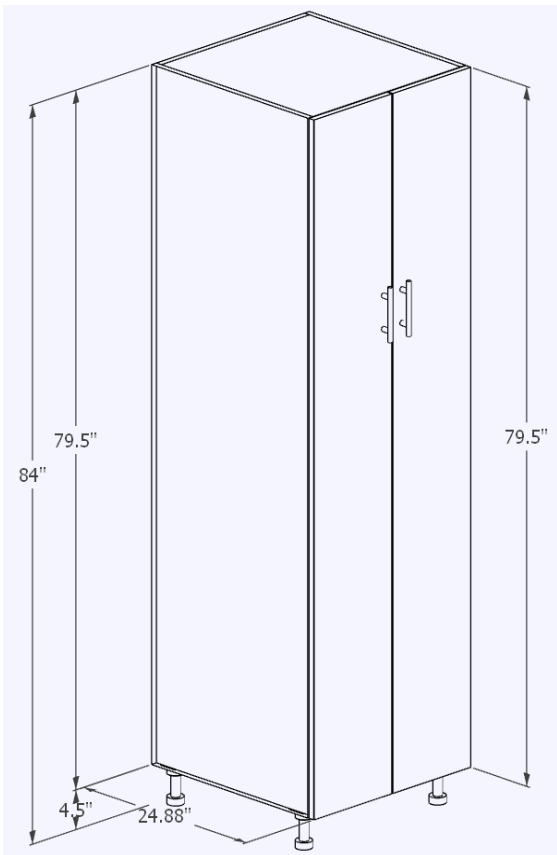


Door removed to show shelving

Tall Storage Cabinets - Full-Height Doors: TBxxxx-FHD

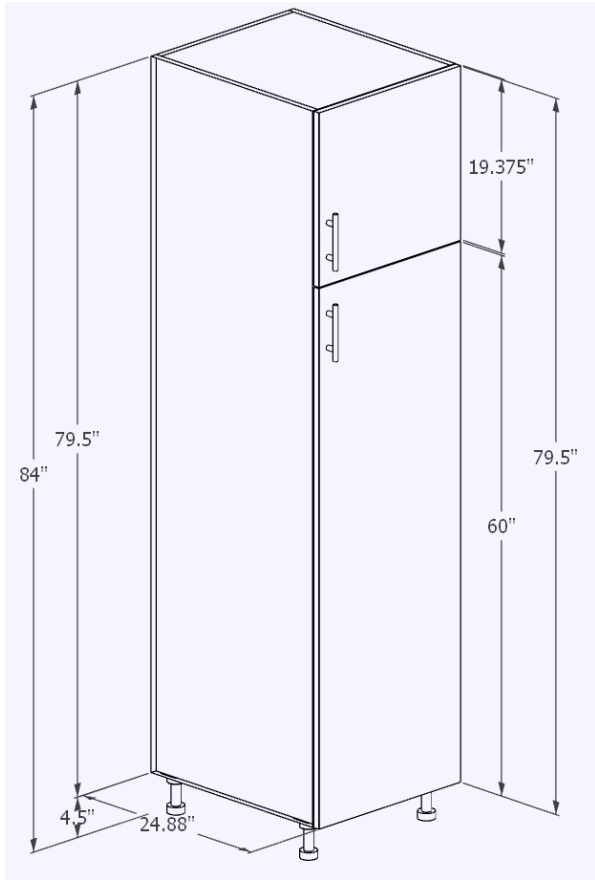


Product Description	
TBxx84-FHD: Tall base, 1 Full-Height Door.	
24" Depth SKU	
TB1884-FHD-LH	TB1884-FHD-RH
TB2184-FHD-LH	TB2184-FHD-RH

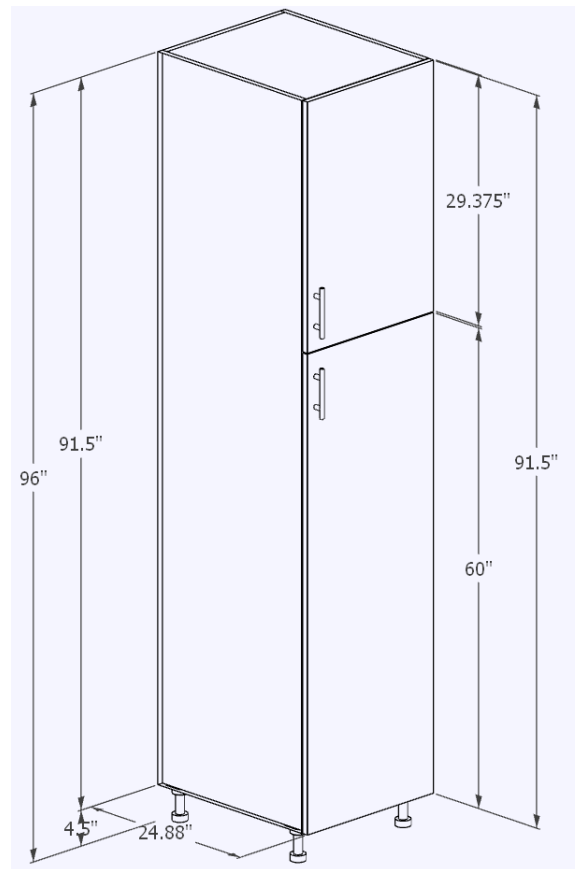
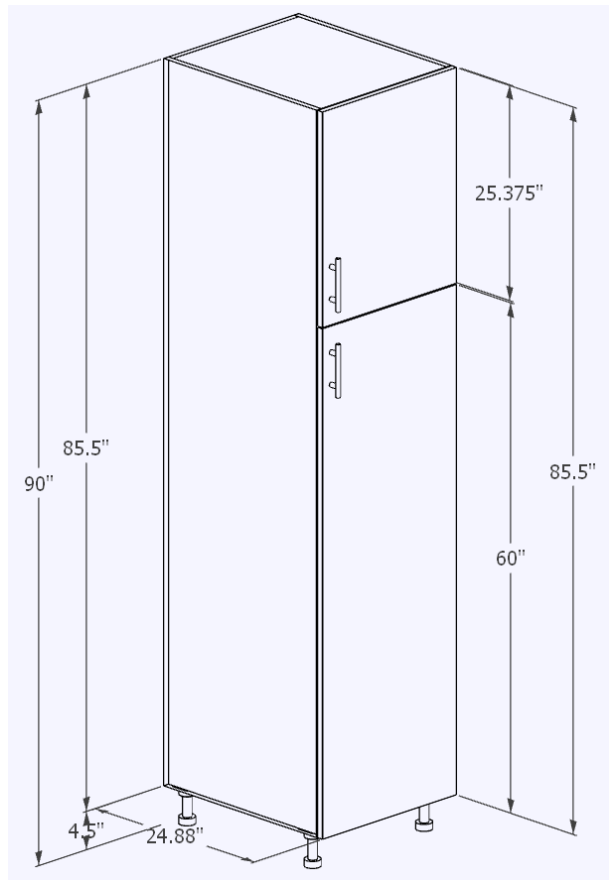


Product Description	
TBxx84-FHD: Tall base, 2 Full-Height Doors.	
24" Depth SKU	
TB2484-FHD	
TB2784-FHD	
TB3084-FHD	
TB3384-FHD	
TB3684-FHD	

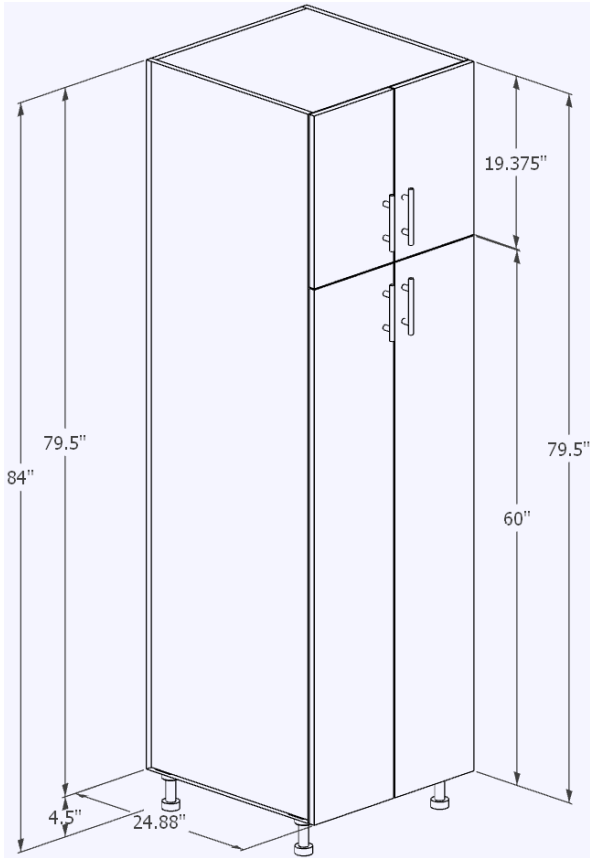
Tall Storage Cabinets - TBxxxx 2 doors



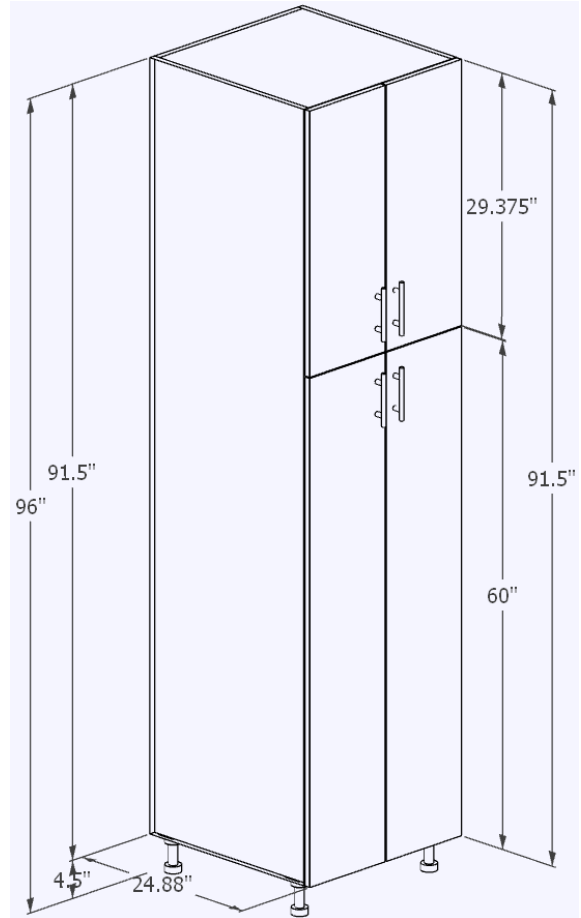
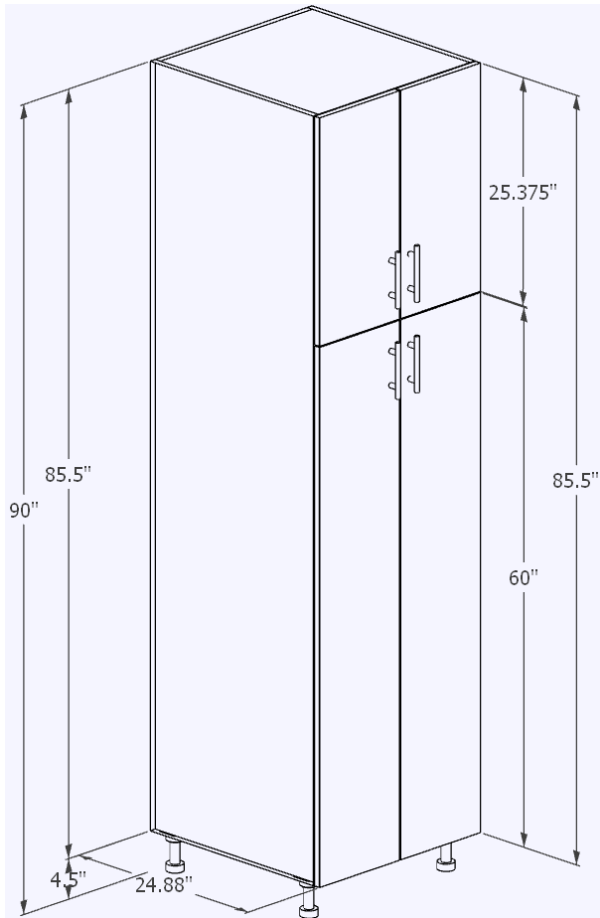
Product Description	
TB18xx, TB21xx: Tall base, 2 Doors, 1 Upper Door, 1 Lower Door.	
24" Depth SKU	
TB1884-LH	TB1884-RH
TB1890-LH	TB1890-RH
TB1896-LH	TB1896-RH
TB2184-LH	TB2184-RH
TB2190-LH	TB2190-RH
TB2196-LH	TB2196-RH



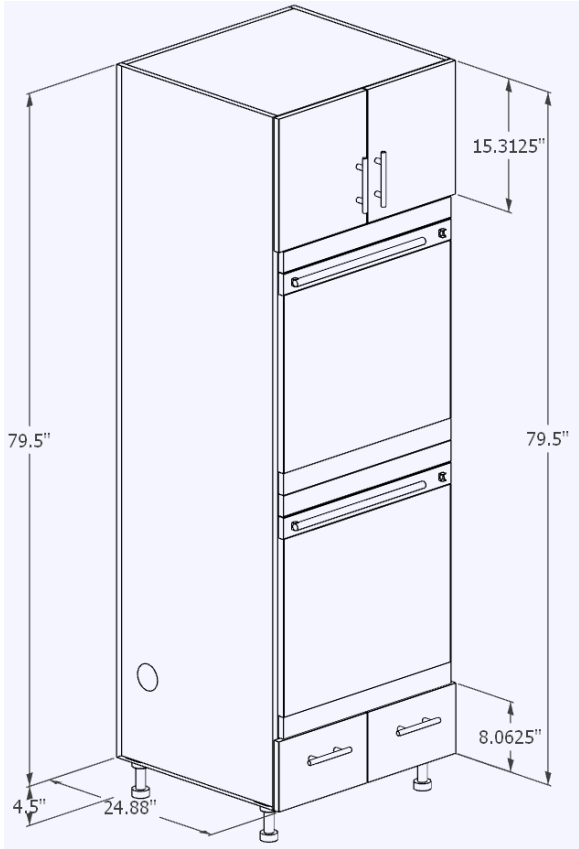
Tall Storage Cabinets - TBxxxx 4 doors



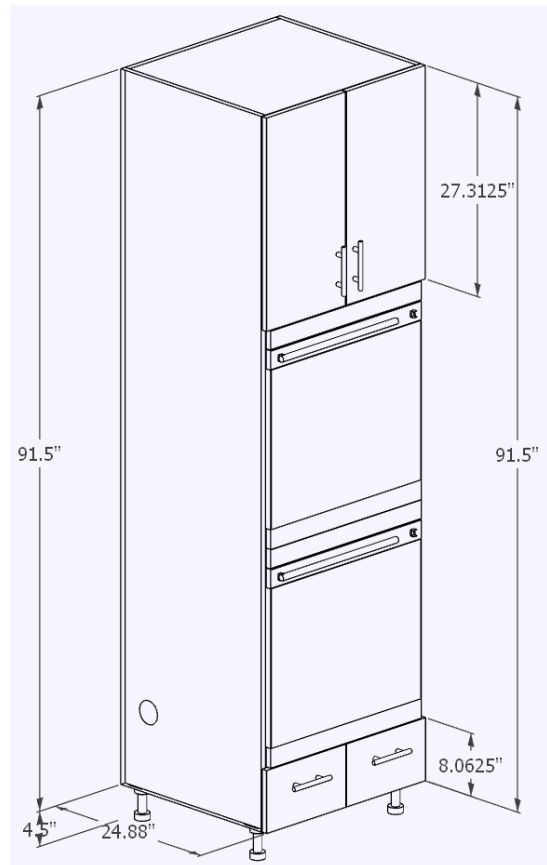
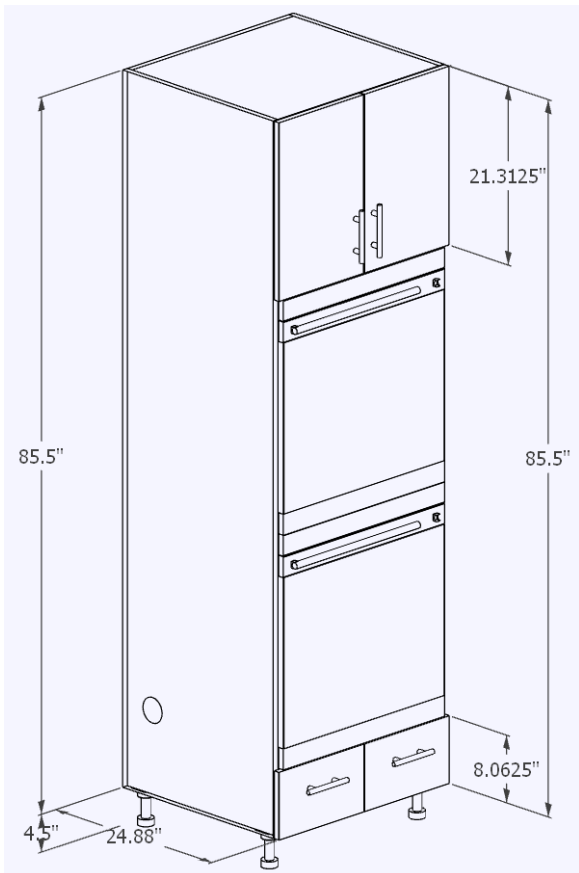
Product Description		
TBxxyy: Tall base, 4 Doors, 2 Upper Doors, 2 Lower Doors.		
84" Tall	90" Tall	96" Tall
TB2484	TB2490	TB2496
TB2784	TB2790	TB2796
TB3084	TB3090	TB3096
TB3384	TB3390	TB3396
TB3684	TB3690	TB3696



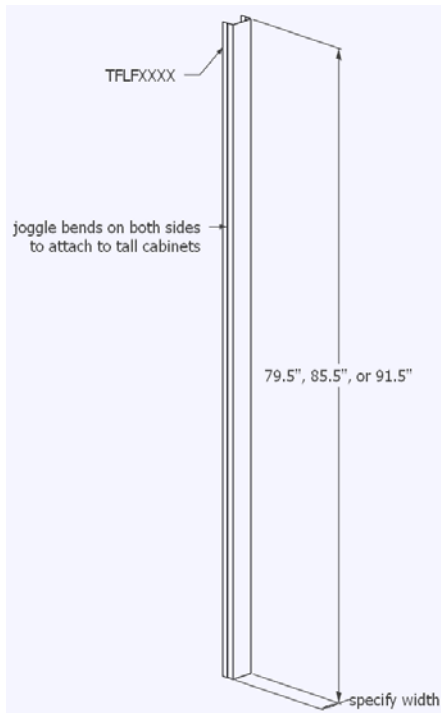
Tall Oven Cabinets: TTxxxx - 2 Doors, 2 Drawers



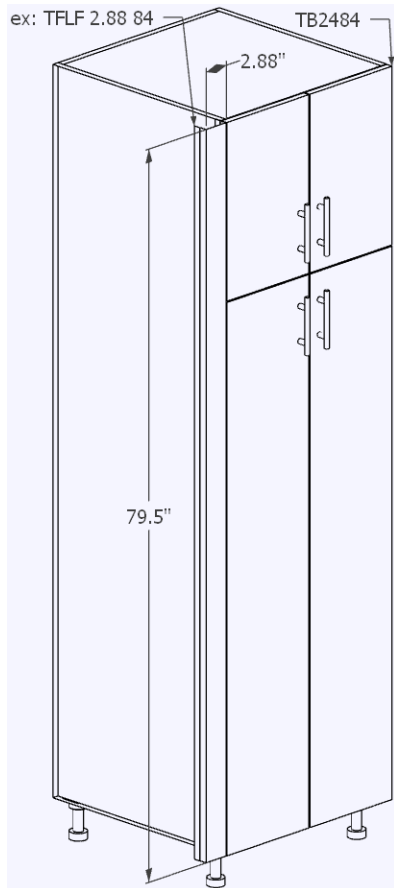
Product Description		
TTxxyy: Tall Oven Cabinet, 2 Upper Doors, 2 Lower Drawers. Specify ovens being used.		
84" Tall	90" Tall	96" Tall
TT2784	TT2790	TT2796
TT3084	TT3090	TT3096
TT3384	TT3390	TT3396
TT3684	TT3690	TT3696



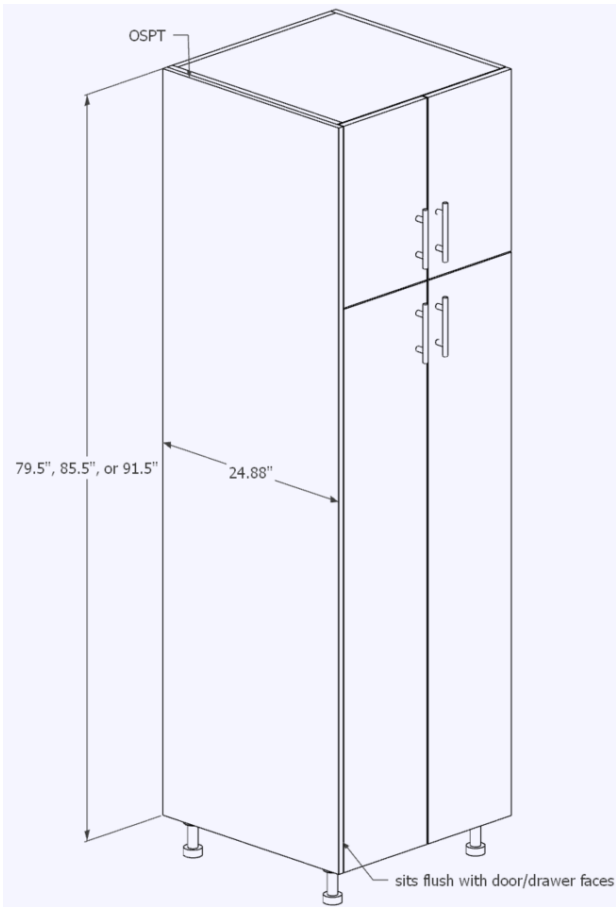
Tall Cabinet Accessories - Fillers: TFLF



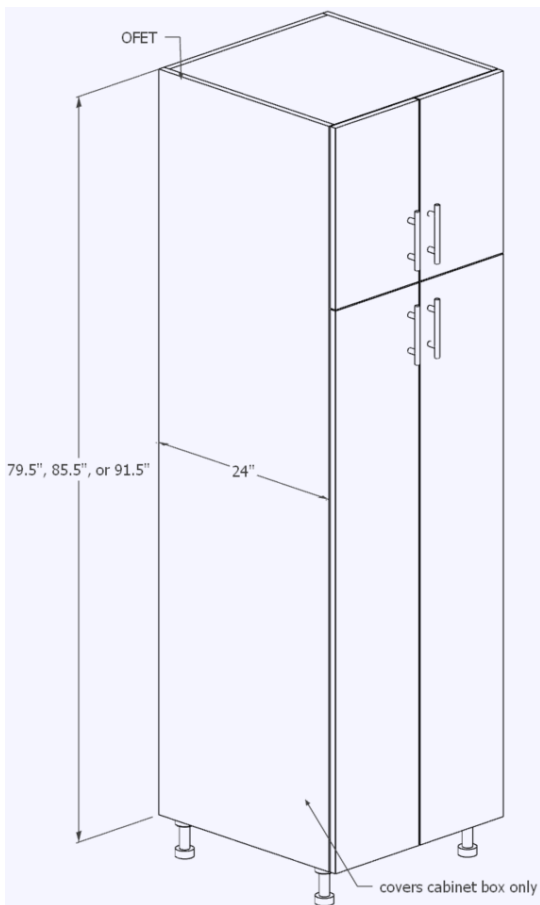
Product Description	
<p>TFLF: Tall base cabinet front filler for use with tall storage bases and tall oven bases. Sits flush with door/drawer faces. 1"W minimum, available in 1/8" increments as needed. Specify width and tall base height.</p> <p>Example SKUs:</p> <p>TFLF 2.88 84</p> <p>TFLF 4.50 96</p>	
27" Depth SKU	Description
TFLF03XX	3"W Tall Front Filler. Specify 84", 90", or 96" height.
TFLF04XX	4"W Tall Front Filler. Specify 84", 90", or 96" height.
TFLFXXXX	Custom width Tall Front Filler. Engineering charges may apply. Contact Sales for more information. XX" Wide x XX" High



Tall Cabinet Accessories - Side Panels: OSPT xxxxL/R



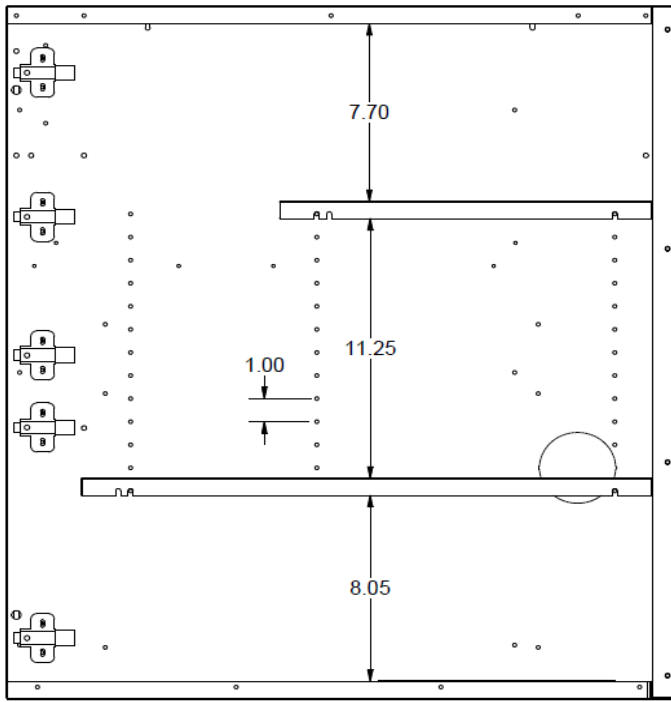
Product Description		
OSPT: 3/4" Thick tall base side panel for tall storage bases and tall oven bases, 24.88"W x XX"H, sits flush with door/drawer faces, specify tall base height and side.		
SKU		
84"H Cabinet	90"H Cabinet	96"H Cabinet
OSPT 2484L	OSPT 2490L	OSPT 2496L
OSPT 2484R	OSPT 2490R	OSPT 2496R



Product Description		
OFET: Tall base flush side panel for tall storage bases and tall oven bases, 24"W x XX"H, sits flush to cabinet side, specify tall base height and side.		
SKU		
84"H Cabinet	90"H Cabinet	96"H Cabinet
OFET 2484L	OFET 2490L	OFET 2496L
OFET 2484R	OFET 2490R	OFET 2496R

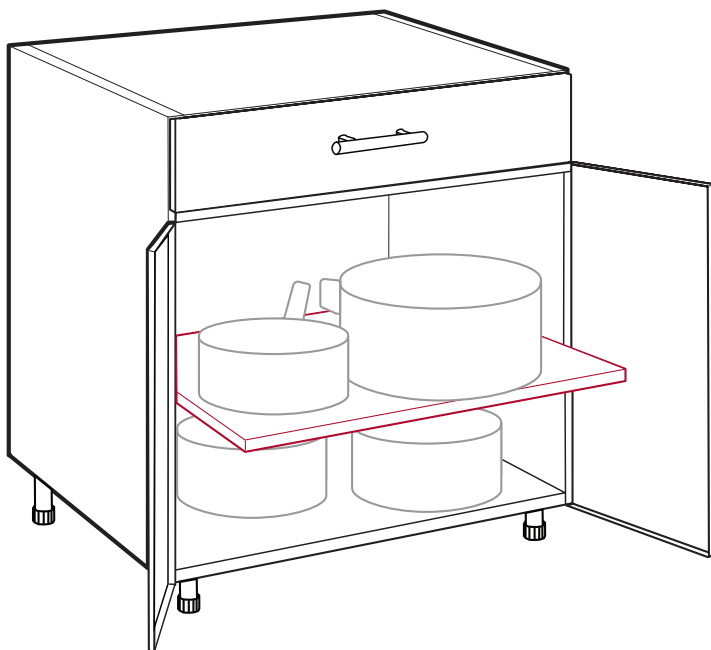
Cabinet Accessories - Half and Full-Depth Shelves: OSH

We offer a variety of different shelving options including half-depth, full-depth, pullout, and heavy duty pullout shelves for ice chests.



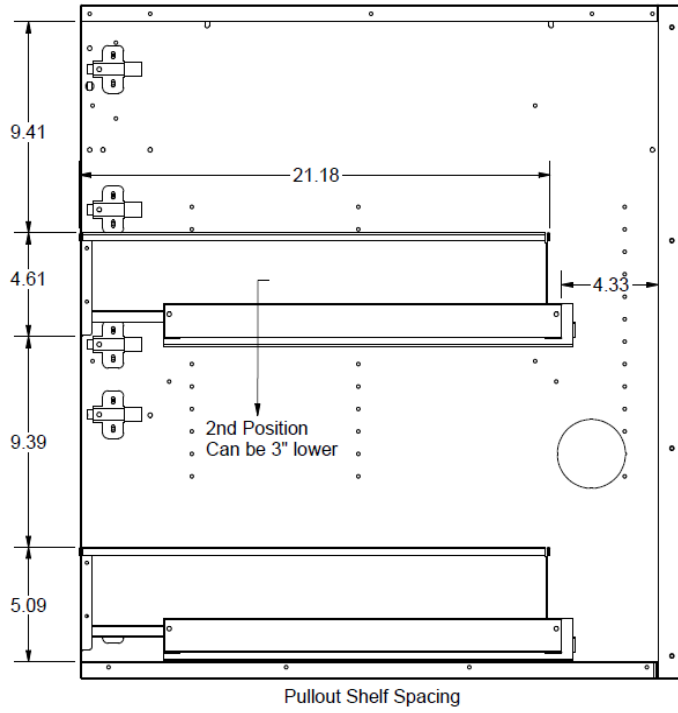
Stationary Shelf Spacing

Product Description	
OSHxx: Half-Depth Shelves	
27" Depth SKU	
OSH12	
OSH15	
OSH16.5 (for 33"W grill bases)	
OSH18	
OSH19.3 (for 58"W grill bases)	
OSH20.7 (for 62"W grill bases)	
OSH21	
OSH24	
OSH27	
OSH30	
OSH33	
OSH36	
OSH39	
OSH42	
OSH45	
OSH48	

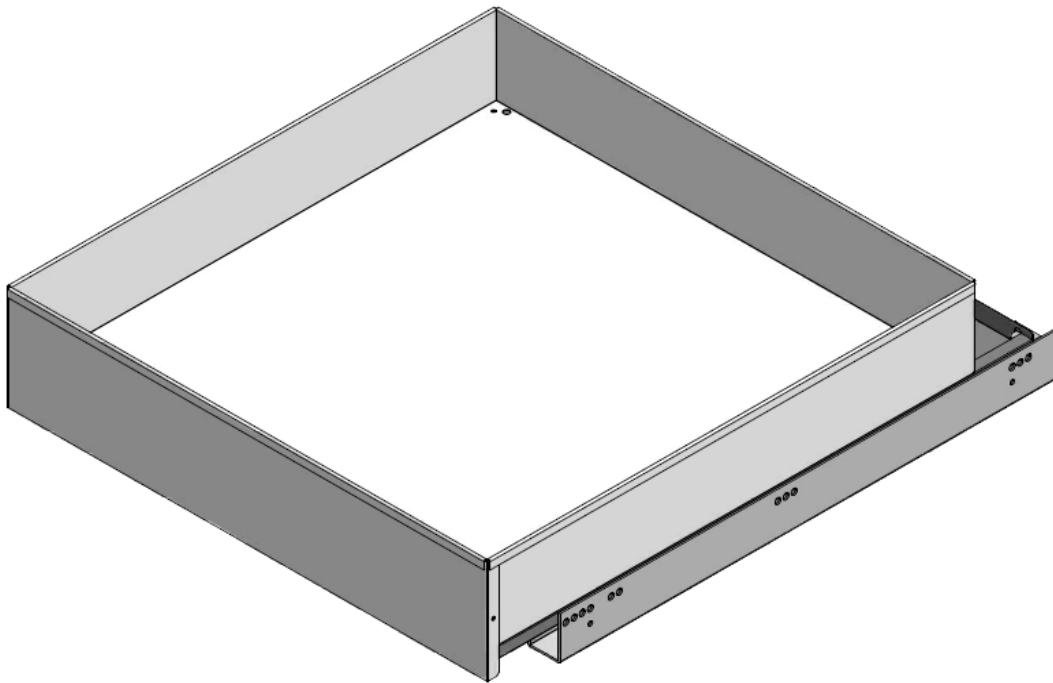


Product Description	
OSHxxyy: Full-Depth shelves	
27" Depth SKU	24" Depth SKU
OSH1227	OSH1224
OSH1527	OSH1524
OSH1827	OSH1824
OSH2127	OSH2124
OSH2427	OSH2424
OSH2727	OSH2724
OSH3027	OSH3024
OSH3327	OSH3324
OSH3627	OSH3624
OSH3927	OSH3924
OSH4227	OSH4224
OSH4527	OSH4524
OSH4827	OSH4824

Cabinet Accessories - Pullout Shelving



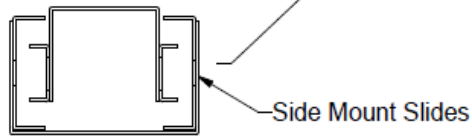
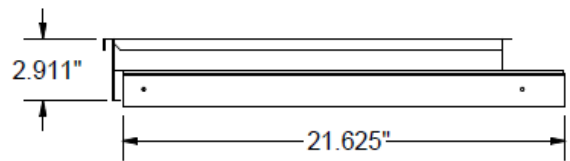
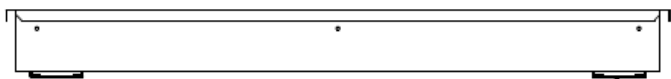
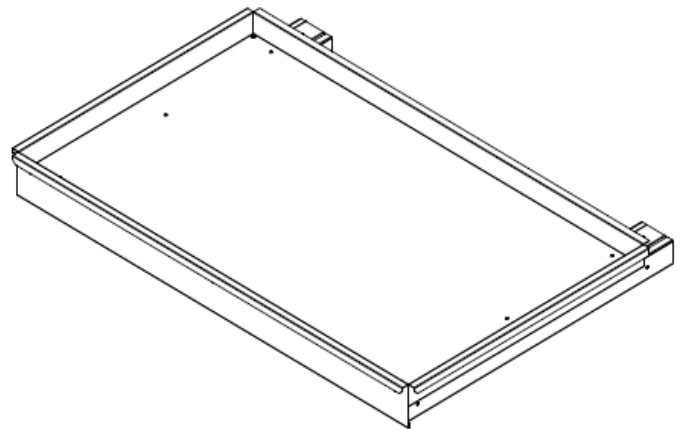
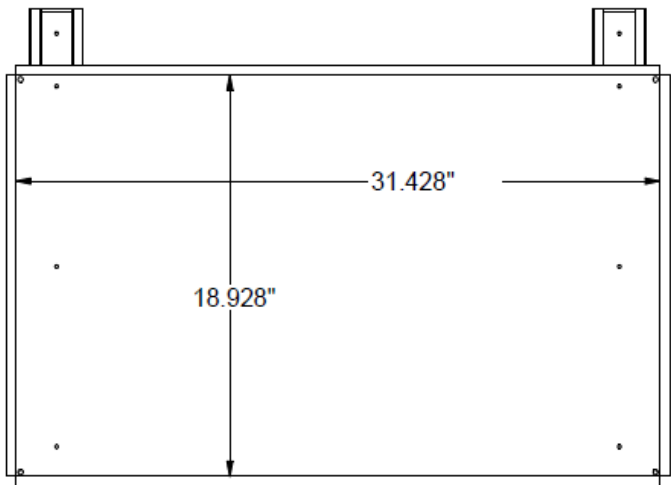
Product Description
OSHxxP: Pullout Shelf
Pullout SKU
OSH12P
OSH15P
OSH16.5P (for 33"W grill bases)
OSH18P
OSH19.3P (for 58"W grill bases)
OSH20.7P (for 62"W grill bases)
OSH21P
OSH24P
OSH27P
OSH30P
OSH33P
OSH36P
OSH39P
OSH42P
OSH45P
OSH48P



Cabinet Accessories - Pullout Shelving

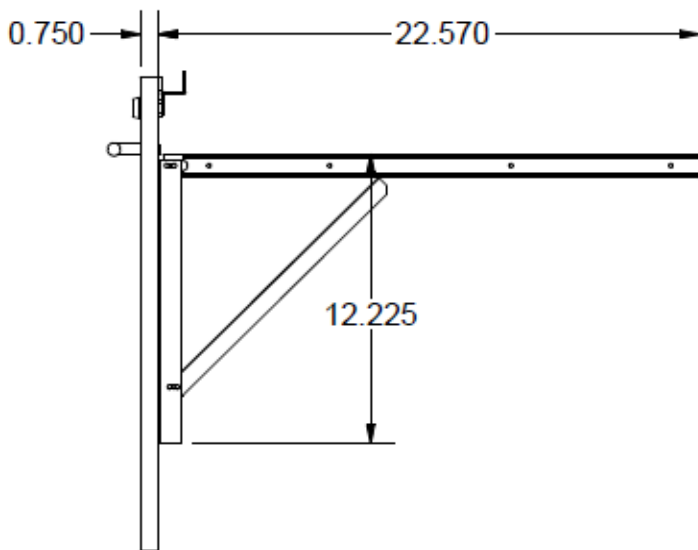
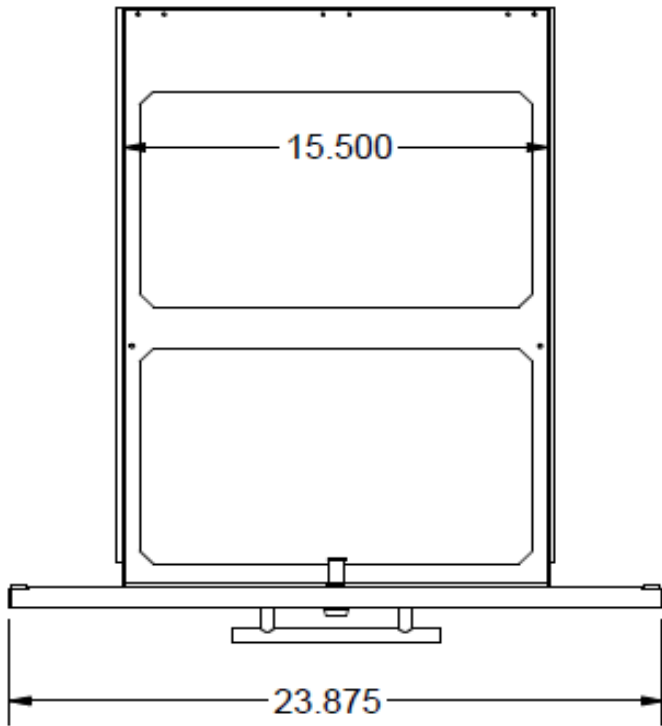
Product Description
OSHxxPCHEST: Pullout Shelf with heavy duty glides, designed for ice chests, can hold up to 132 lbs.
27" and 24" Depth SKU
OSH21PCHEST
OSH24PCHEST
OSH27PCHEST
OSH30PCHEST
OSH33PCHEST
OSH36PCHEST
OSH39PCHEST
OSH42PCHEST
OSH45PCHEST
OSH48PCHEST

Ex. OSH36PCHEST, installs in 36"W cabinet



Cabinet Accessories - Trash Pullout: OTP

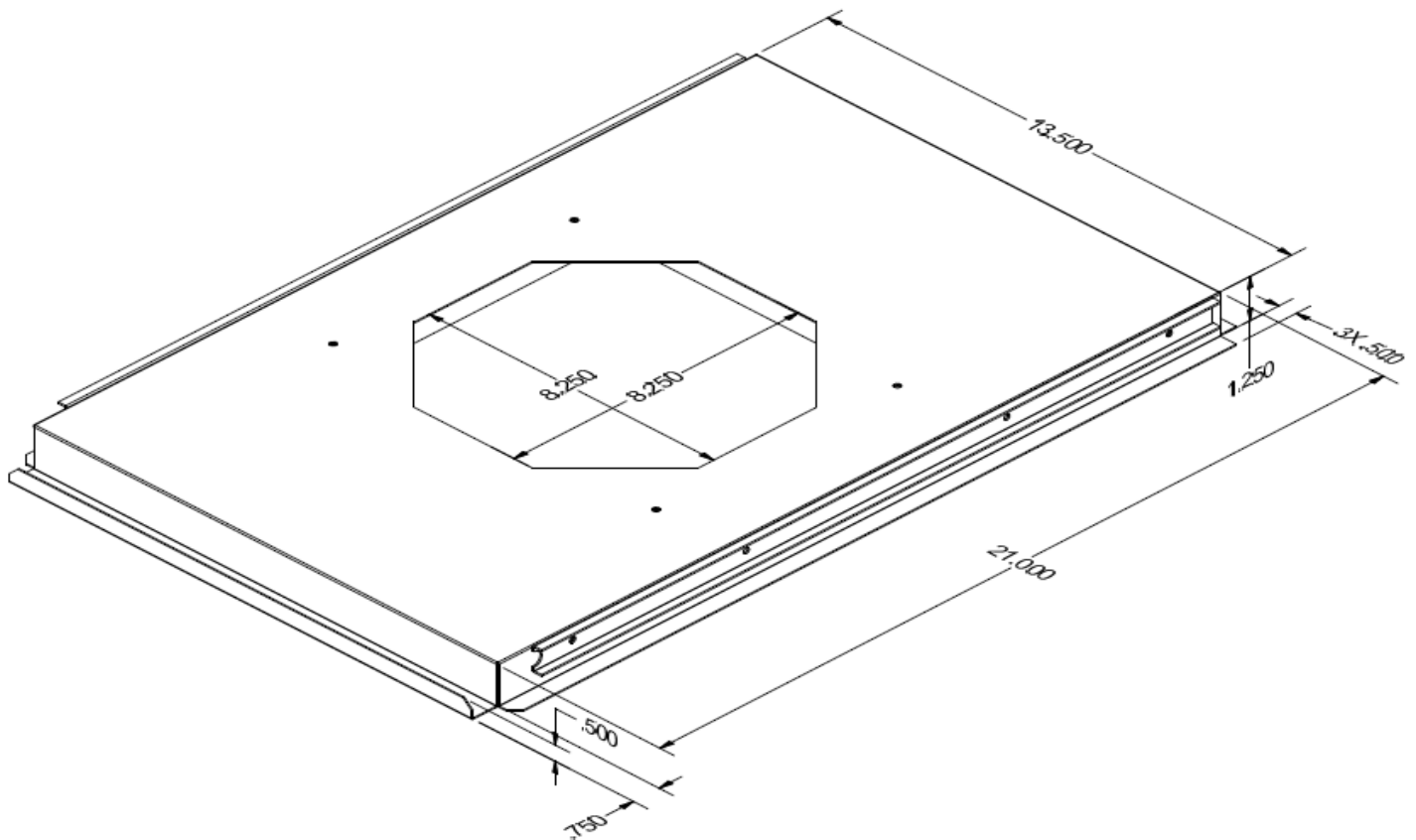
Ex. OTP24, installs in 24"W cabinet



Product Description	
OTPx and OTPxD: Trash pullout accessory Designed to fit 15 - 24" wide OBF, OBD, OBB Side Burner cabinets and 33"W, 36"W, 42"W and 48"W Grill Cabinets.	
SKU	Description
OTP15	Single Trash for 15" cabinet or 1 side of 30" Grill cabinet
OTP15D	Single Trash for 15" cabinet or 1 side of 30" Grill cabinet, Deep
OTP16.5	Single Trash for 1 side of 33" Grill cabinet
OTP16.5D	Single Trash for 1 side of 33" Grill cabinet, Deep
OTP18	Double Trash for 18" cabinet or 36" Grill - side burner
OTP18D	Double Trash for 18" cabinet or 36" Grill - side burner, Deep
OTP19.33	Double Trash for 58" Grill cabinet
OTP19.33D	Double Trash for 58" Grill cabinet, Deep
OTP20.67	Double Trash for 62" Grill cabinet
OTP20.67D	Double Trash for 62" Grill cabinet, Deep
OTP21	Double Trash for 21" cabinet or 1 side of 42" Grill cabinet
OTP21D	Double Trash for 21" cabinet or 1 side of 42" Grill cabinet, Deep
OTP24	Double Trash
OTP24D	Double Trash Deep
OTP27	Double Trash
OTP27D	Double Trash, Deep
OTP30	Double Trash
OTP30D	Double Trash, Deep
OTP33	Double Trash
OTP33D	Double Trash, Deep

Cabinet Accessories - Propane Pullout: OPP

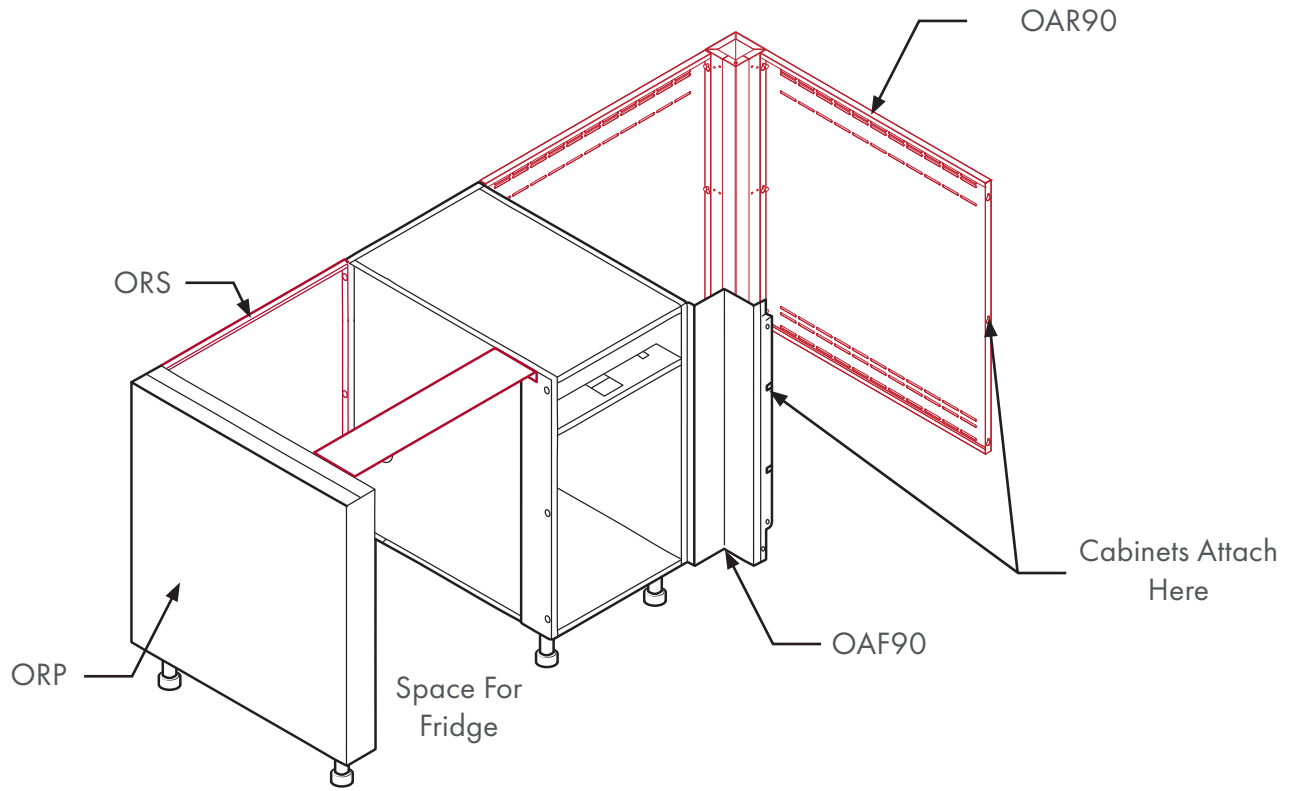
Product Description	
OPPxx: Propane pullout accessory Designed to fit 18 - 24" wide OBF, OBD, OBB Side Burner cabinets and 33"W, 36"W, 42"W and 48"W Grill Cabinets. **CANNOT BE USED FOR LOW AND DEEP CABINETS!**	
SKU	Description
OPP16.5	Propane Pullout for 1 side of 33" Grill cabinet
OPP18	Propane Pullout for 18" cabinet or 36" Grill - side burner
OPP19.33	Propane Pullout for 58" Grill cabinet
OPP20.67	Propane Pullout for 62" Grill cabinet
OPP21	Propane Pullout for 21" cabinet or 1 side of 42" Grill cabinet
OPP27	Propane Pullout
OPP30	Propane Pullout
OPP33	Propane Pullout
OPP30	Propane Pullout



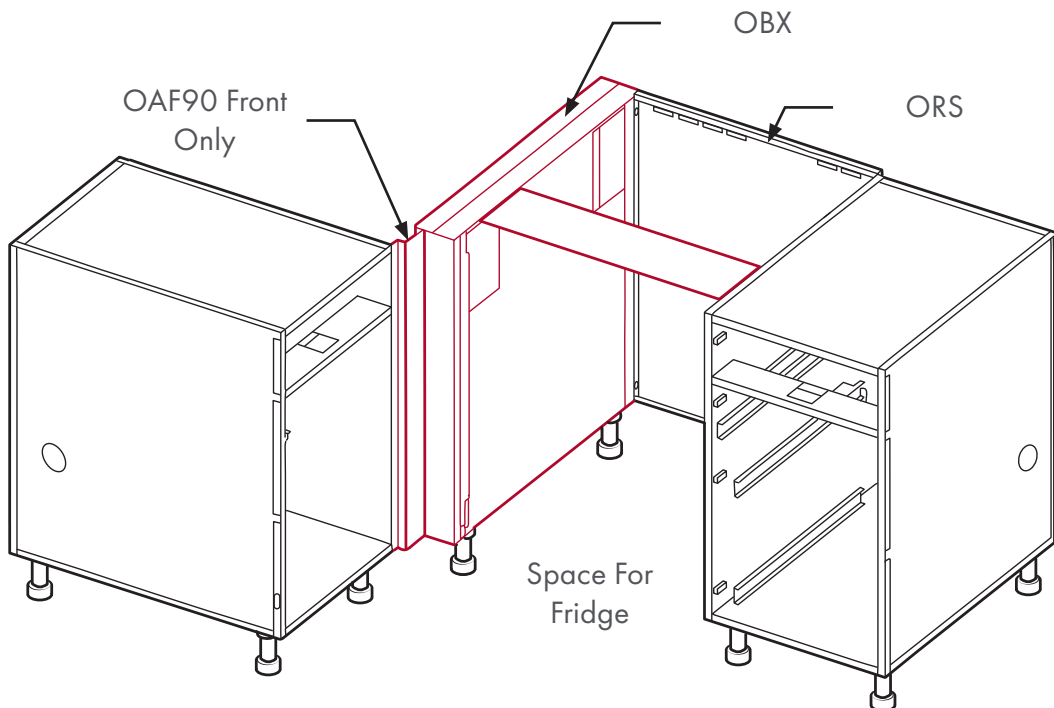
Cabinet Accessories - Undercounter Appliance Parts

We offer a variety of different options for designing corners, void spaces, and undercounter appliance areas.

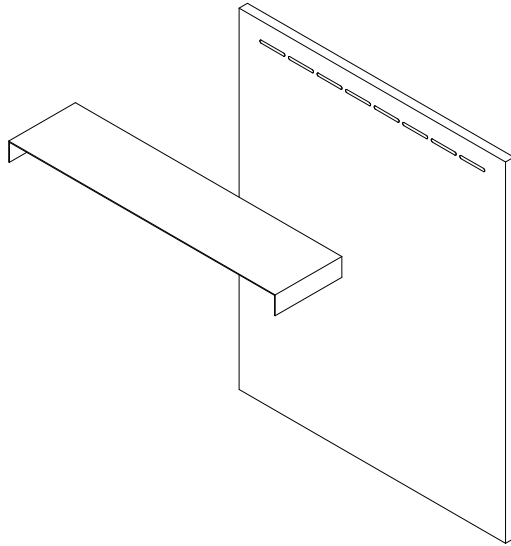
See example below for how to fill a corner void to place refrigerator at end of run.



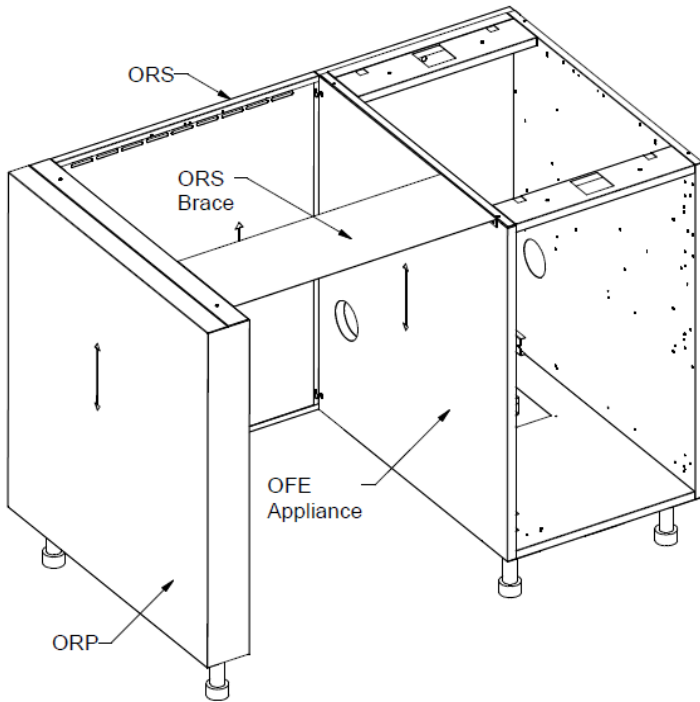
Example of how to place refrigerator next to corner.



Cabinet Accessories - Undercounter Appliance Spacers: ORS



EXAMPLE:
ORS24.25 used as a spacer,
creating an opening for an
appliance, attached between a
cabinet and an ORP column.

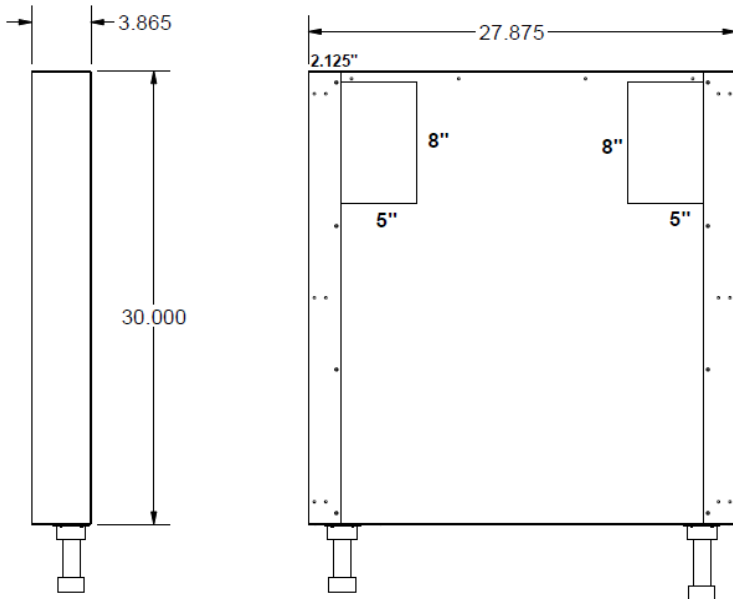


ORS Brace ships with the ORS. OFE Appliance panel(s) must be ordered to install the brace. If OFE Appliance panel(s) is not ordered the brace can be discarded, but the customer must secure the ORP.

Product Description	
ORSxx: Rear vented spacer panel used to “lock-in” exact size opening for undercounter appliances. Used as a back panel for undercounter appliance space when needed.	
Available in 1/8” increments, custom widths available, contact Sales for information.	
Non-Vented versions of all sizes are available.	
Attaches between two cabinets, two ORP or OBX columns, or a cabinet and ORP or OBX.	
Vented SKU	Non-Vented SKU
ORS15	ORS15 NV
ORS15.25	ORS15.25 NV
ORS15.50	ORS15.50 NV
ORS18	ORS18 NV
ORS18.25	ORS18.25 NV
ORS20.25	ORS20.25 NV
ORS20.50	ORS20.50 NV
ORS20.75	ORS20.75 NV
ORS21	ORS21 NV
ORS21.25	ORS21.25 NV
ORS21.75	ORS21.75 NV
ORS22	ORS22 NV
ORS22.25	ORS22.25 NV
ORS23	ORS23 NV
ORS23.75	ORS23.75 NV
ORS24	ORS24 NV
ORS24.25	ORS24.25 NV
ORS24.50	ORS24.50 NV
ORS24.75	ORS24.75 NV
ORS26.25	ORS26.25 NV
ORS27.25	ORS27.25 NV
ORS28.25	ORS28.25 NV
ORS28.50	ORS28.50 NV
ORS29	ORS29 NV
ORS30	ORS30 NV
ORS30.25	ORS30.25 NV
ORS30.75	ORS30.75 NV
ORS31.50	ORS31.50 NV
ORS33	ORS33 NV
ORS36	ORS36 NV
ORS36.38	ORS36.38 NV
ORS38	ORS38 NV
ORS39	ORS39 NV
ORS39.38	ORS39.38 NV
ORS48	ORS48 NV

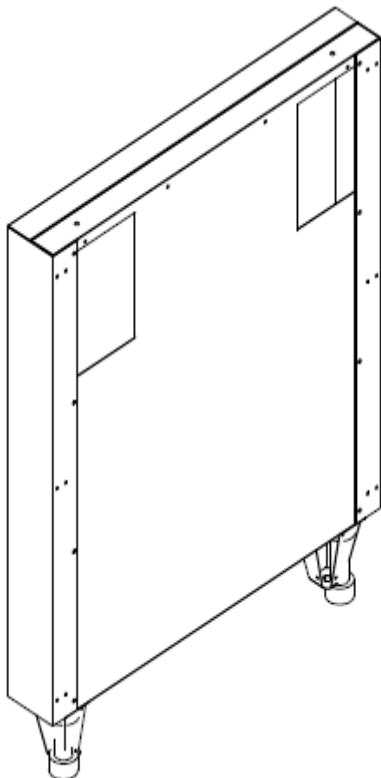
Cabinet Accessories - Countertop Support Columns: ORP/OBX

ORP has cutouts on one side and is finished on front, back, and one side.
Reversible for application on either end of a run.



OBX has cutouts on both sides, finished on front and back only.

If a custom width is required for an ORP or an OBX, please contact sales to discuss.

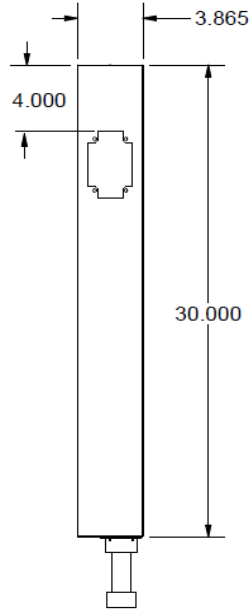


Iso view, shown with SSLEG

Product Description		
ORPxx.xx y.yy: Column for countertop support with one finished side for ending a run with an undercounter appliance. Attaches to a cabinet or another column via an ORS panel. Comes in two standard widths and four standard depths to match cabinets with or without back panels. Can be upgraded to match door styles on finished side. Comes with two adjustable legs to match those on cabinetry. Example SKU: ORP27.88 2.88 A tapered SSLEG can only be used with 3.88" widths.		
SKU		
Prefix	Depth	Width
ORP	24.88	2.88
ORP	24.88	3.88
ORP	25.63	2.88
ORP	25.63	3.88
ORP	27.88	2.88
ORP	27.88	3.88
ORP	28.63	2.88
ORP	28.63	3.88
ORP	29.88	2.88
ORP	29.88	3.88
ORP	30.63	2.88
ORP	30.63	3.88

Product Description		
OBXxx.xx y.yy: Column for countertop support for the middle of a run with an undercounter appliance. Attaches to a cabinet or another column via an ORS panel. Comes in two standard widths and four standard depths to match cabinets with or without back panels. Comes with two adjustable legs to match those on cabinetry. Example SKU: OBX27.88 2.88 A tapered SSLEG can only be used with 3.88" widths.		
SKU		
Prefix	Depth	Width
OBX	24.88	2.88
OBX	24.88	3.88
OBX	25.63	2.88
OBX	25.63	3.88
OBX	27.88	2.88
OBX	27.88	3.88
OBX	28.63	2.88
OBX	28.63	3.88
OBX	29.88	2.88
OBX	29.88	3.88
OBX	30.63	2.88
OBX	30.63	3.88

Cabinet Accessories - ORP/OBX with electrical cutout



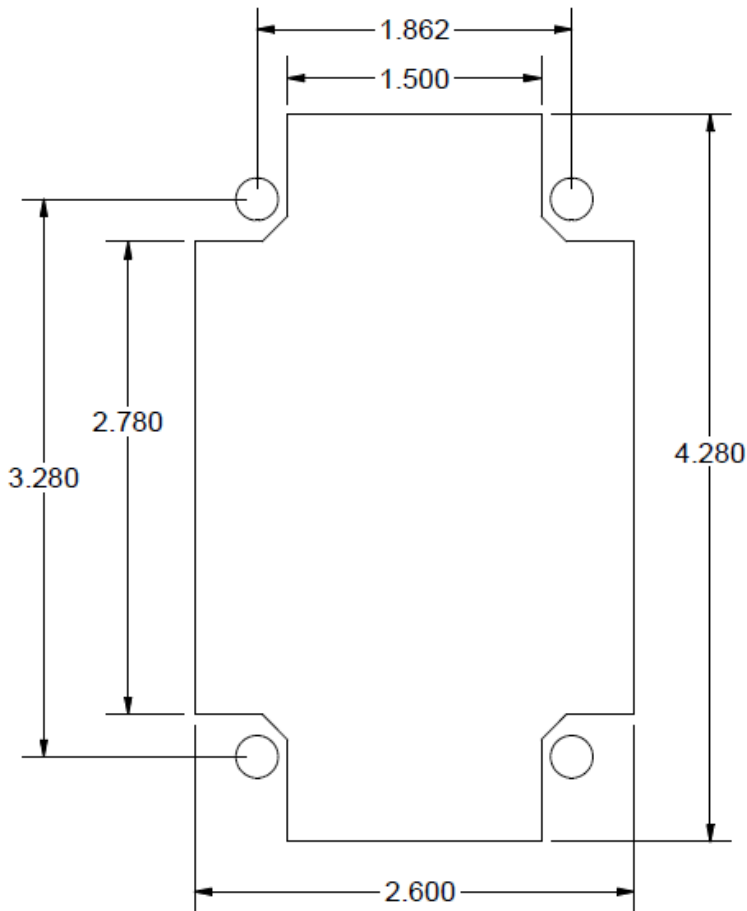
Product Description

ORPxx.xx y.yy(L or R) ELEC:
 Same as standard ORP, but with a standard GFCI electrical cutout located 4" down from the top of the column and centered on front. Left and Right SKUs as cutout negates reversibility.

Example SKU: ORP27.88 3.88 ELEC

SKU

Prefix	Depth	Width/Side
ORP	24.88	3.88L ELEC
ORP	24.88	3.88R ELEC
ORP	25.63	3.88L ELEC
ORP	25.63	3.88R ELEC
ORP	27.88	3.88L ELEC
ORP	27.88	3.88R ELEC
ORP	28.63	3.88L ELEC
ORP	28.63	3.88R ELEC
ORP	29.88	3.88L ELEC
ORP	29.88	3.88R ELEC
ORP	30.63	3.88L ELEC
ORP	30.63	3.88R ELEC



Product Description

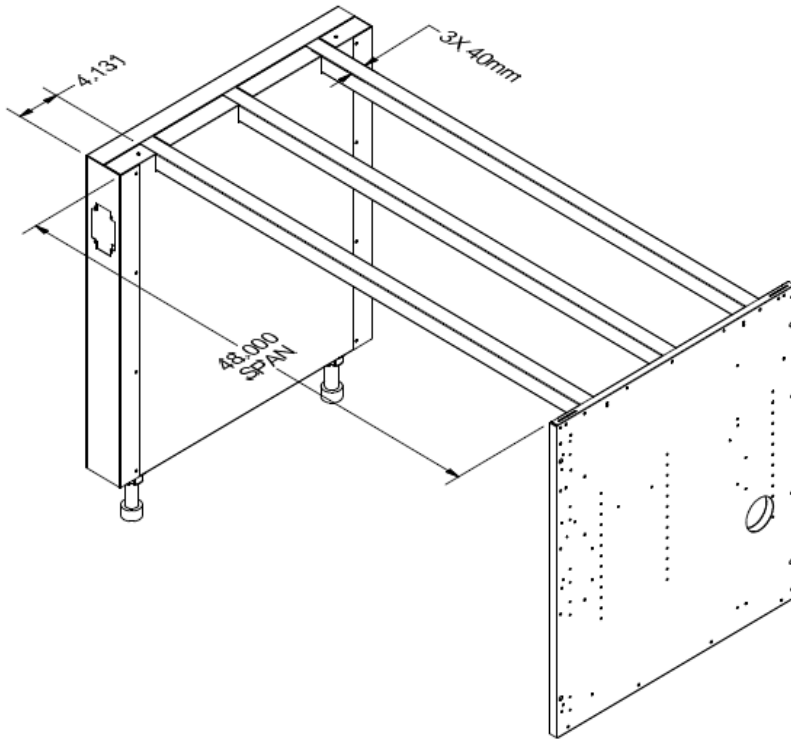
OBXxx.xx y.yy ELEC:
 Same as standard OBX, but with a standard GFCI electrical cutout located 4" down from the top of the column and centered on front.

Example SKU: OBX27.88 3.88 ELEC

SKU

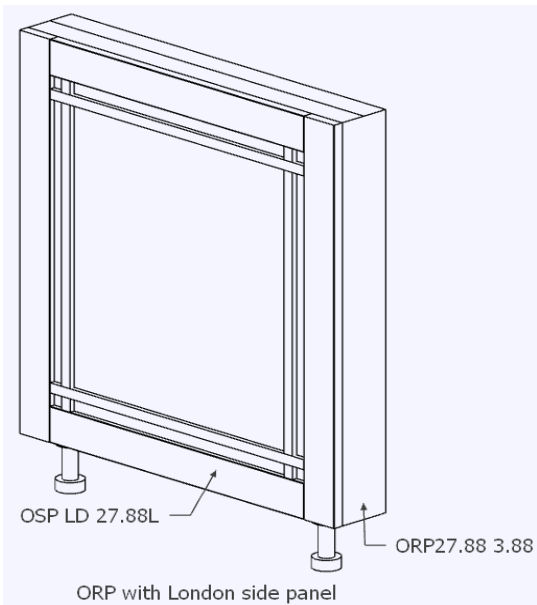
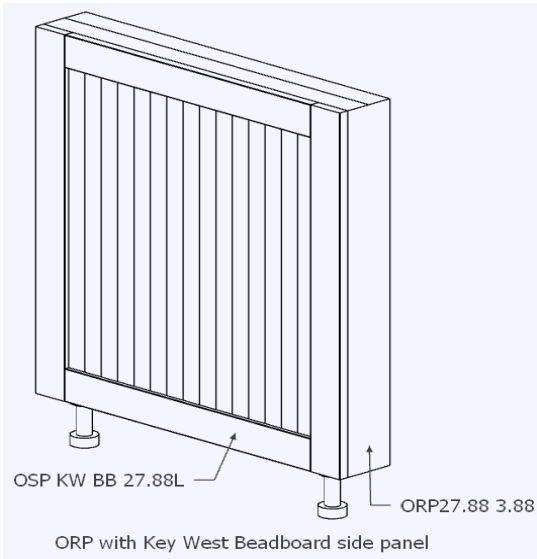
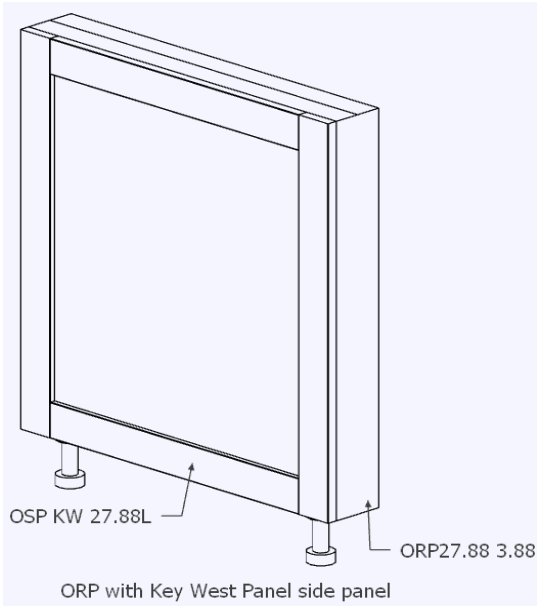
Prefix	Depth	Width
OBX	24.88	3.88 ELEC
OBX	25.63	3.88 ELEC
OBX	27.88	3.88 ELEC
OBX	28.63	3.88 ELEC
OBX	29.88	3.88 ELEC
OBX	30.63	3.88 ELEC

Cabinet Accessories - ORP/OBX for OCS Countertop Support



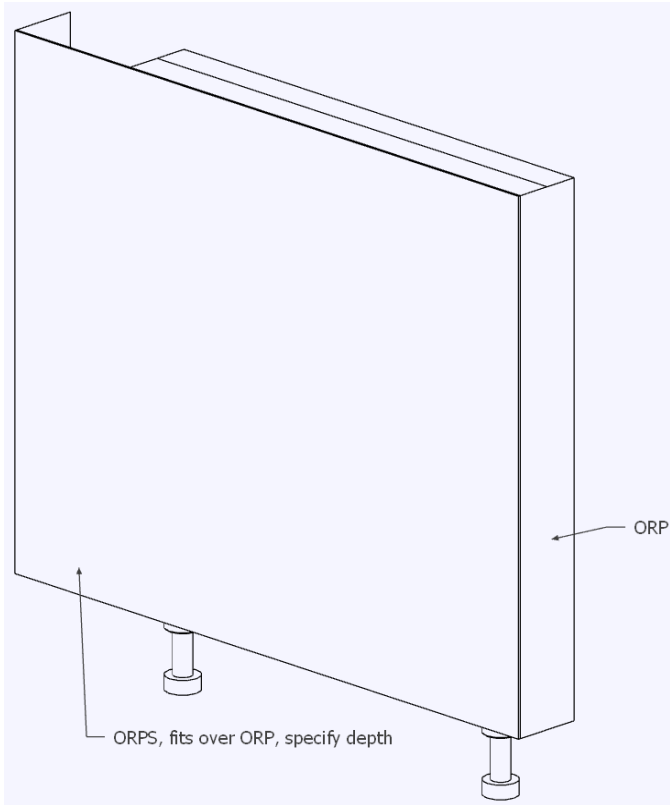
Product Description		
ORPxx.xx y.yy OCS,		
ORPxx.xx y.yy(L or R) OCS ELEC:		
Same as standard ORP, but with notches for OCS extrusions. Left and Right SKUs as cutout negates reversibility. Also available with electrical cutout.		
Example SKU: ORP27.88 2.88 OCS		
Example SKU: ORP28.63 3.88R OCS ELEC		
SKU		
Prefix	Depth	Width
ORP	24.88	2.88 OCS
ORP	24.88	3.88 OCS
ORP	24.88	3.88L OCS ELEC
ORP	24.88	3.88R OCS ELEC
ORP	25.63	2.88 OCS
ORP	25.63	3.88 OCS
ORP	25.63	3.88L OCS ELEC
ORP	25.63	3.88R OCS ELEC
ORP	27.88	2.88 OCS
ORP	27.88	3.88 OCS
ORP	27.88	3.88L OCS ELEC
ORP	27.88	3.88R OCS ELEC
ORP	28.63	2.88 OCS
ORP	28.63	3.88 OCS
ORP	28.63	3.88L OCS ELEC
ORP	28.63	3.88R OCS ELEC
ORP	29.88	2.88 OCS
ORP	29.88	3.88 OCS
ORP	29.88	3.88L OCS ELEC
ORP	29.88	3.88R OCS ELEC
ORP	30.63	2.88 OCS
ORP	30.63	3.88 OCS
ORP	30.63	3.88L OCS ELEC
ORP	30.63	3.88R OCS ELEC

Cabinet Accessories - ORP Decorative Side Panels

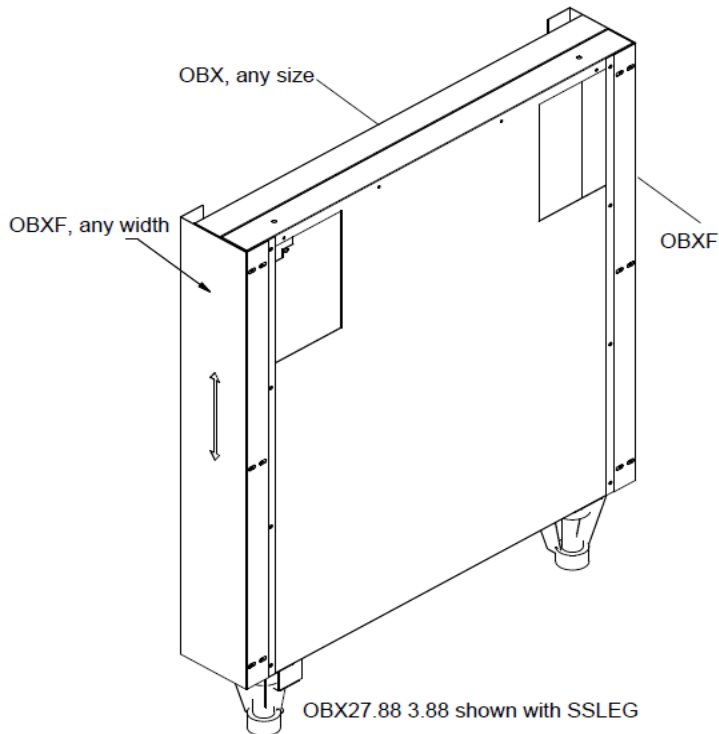
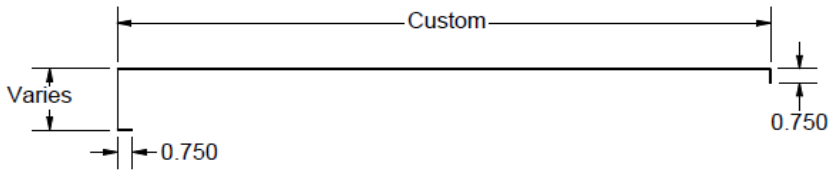


Product Description		
OSP: Decorative side panels to match door styles are available for installation on ORP columns. These are also able to installed on the side of cabinets to finish them.		
KW: Key West Panel		
KW SG: Key West Seaglass Center		
KW BB: Key West Beadboard		
KW LV: Key West Louverd		
KW TX: Key West Textured Center		
LD: London		
NP: Newport		
PB: Palm Beach Panel		
PB SG: Palm Beach Seaglass Center		
PB TX: Palm Beach Textured Center		
Example SKU: OSP KW BB 27.88		
SKU		
Prefix	Style	Widths
OSP	KW	24.88, 25.63, 27.88, 28.63, 29.88, 30.88
OSP	KW SG	24.88, 25.63, 27.88, 28.63, 29.88, 30.88
OSP	KW BB	24.88, 25.63, 27.88, 28.63, 29.88, 30.88
OSP	KW LV	24.88, 25.63, 27.88, 28.63, 29.88, 30.88
OSP	KW TX	24.88, 25.63, 27.88, 28.63, 29.88, 30.88
OSP	LD	24.88, 25.63, 27.88, 28.63, 29.88, 30.88
OSP	NP	24.88, 25.63, 27.88, 28.63, 29.88, 30.88
OSP	PB	24.88, 25.63, 27.88, 28.63, 29.88, 30.88
OSP	PB SG	24.88, 25.63, 27.88, 28.63, 29.88, 30.88
OSP	PB TX	24.88, 25.63, 27.88, 28.63, 29.88, 30.88

Cabinet Accessories - ORP Depth Skin: ORPS, OBX Width Skin: OBXF

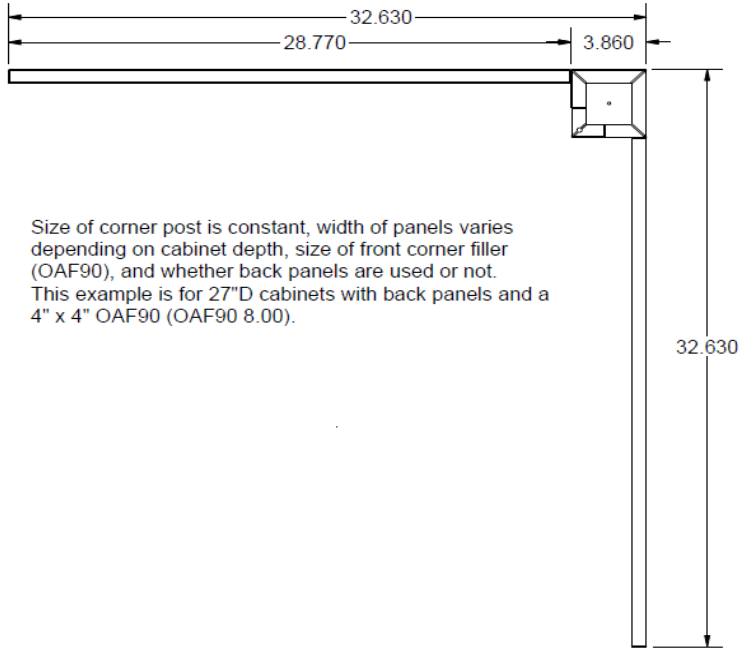


Product Description	
<p>ORPS: Left/Right skin that connects over an ORP to increase depth.</p> <p>NOTE: Custom sizes created as needed. List size of ORP skin is attaching to followed by depth increase.</p> <p>Example: ORPS27.88 2.88 3.00</p>	
27" Depth SKU	Description
ORPSXX XX XXL	Custom Left skin to connect to increase depth of ORP (first two dimensions are ORP depth and width).
ORPSXX XX XXR	CUSTOM Right skin to connect to increase depth of ORP (first two dimensions are ORP depth and width).



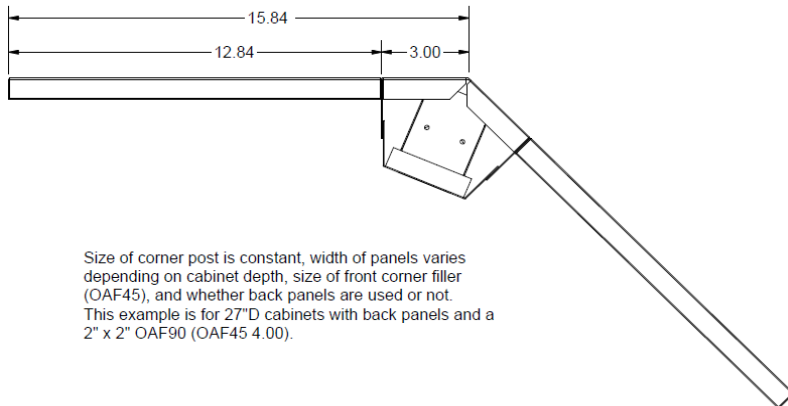
Product Description	
<p>OBXF: Skins that connect over the front and back of an OBX to increase width.</p> <p>NOTE: Available in any width in 1/8" increments. Some SKUs already programmed, see table below. Custom sizes created as needed, use OBXF XX part.</p>	
27" Depth SKU	Description
OBXF 3.00	3.00"W Skin
OBXF 3.50	3.50"W Skin
OBXF 3.88	3.88"W Skin
OBXF 4.75	4.75"W Skin
OBXF 5.25	5.25"W Skin
OBXF 5.38	5.38"W Skin
OBXF 5.63	5.63"W Skin
OBXF 5.88	5.88"W Skin
OBXF 6.00	6.00"W Skin
OBXF 6.25	6.25"W Skin
OBXF 7.25	7.25"W Skin
OBXF 8.00	8.00"W Skin
OBXF XX	Custom Width Skin

Cabinet Accessories - Corner Void Support System: OAR90xx



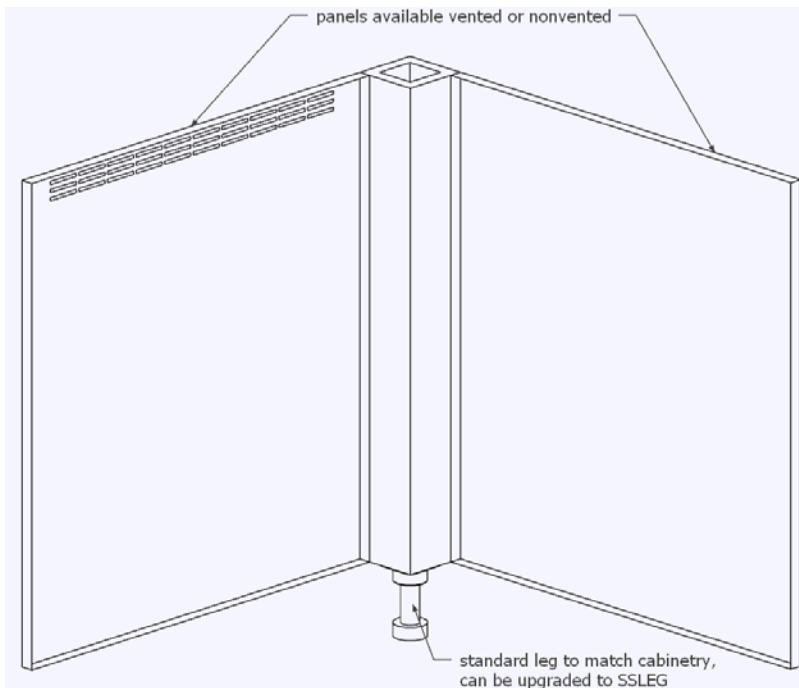
Size of corner post is constant, width of panels varies depending on cabinet depth, size of front corner filler (OAF90), and whether back panels are used or not. This example is for 27"D cabinets with back panels and a 4" x 4" OAF90 (OAF90 8.00).

Product Description	
OAR90: Rear corner support column with two back panels to attach in void where OAF90 front base corner filler is used. Post size is constant, panel sizes are based on front base corner filler size (OAF90). Single adjustable leg on column to match those on cabinetry, can be upgraded to SSLEG.	
27" Depth SKU	Description
OAR90XX NO VENT	Solid Panels
OAR90XX VENT	Vented Panels
OAR90XX EQUAL BP VENT	galvanized and vented panels, for use with Equal Back Panels and Extended Back Panels



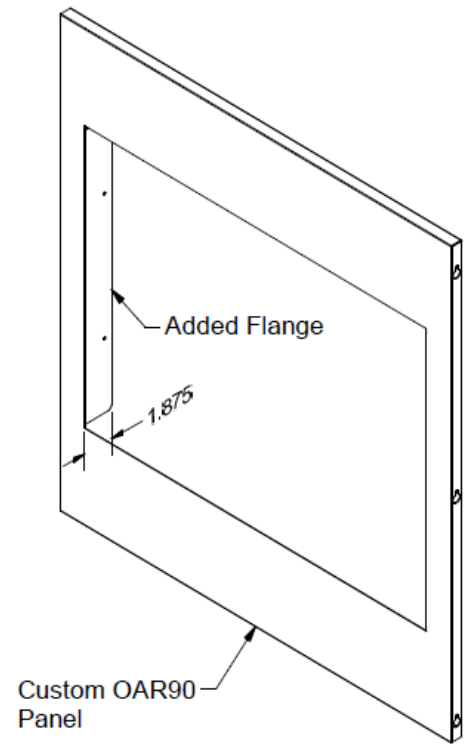
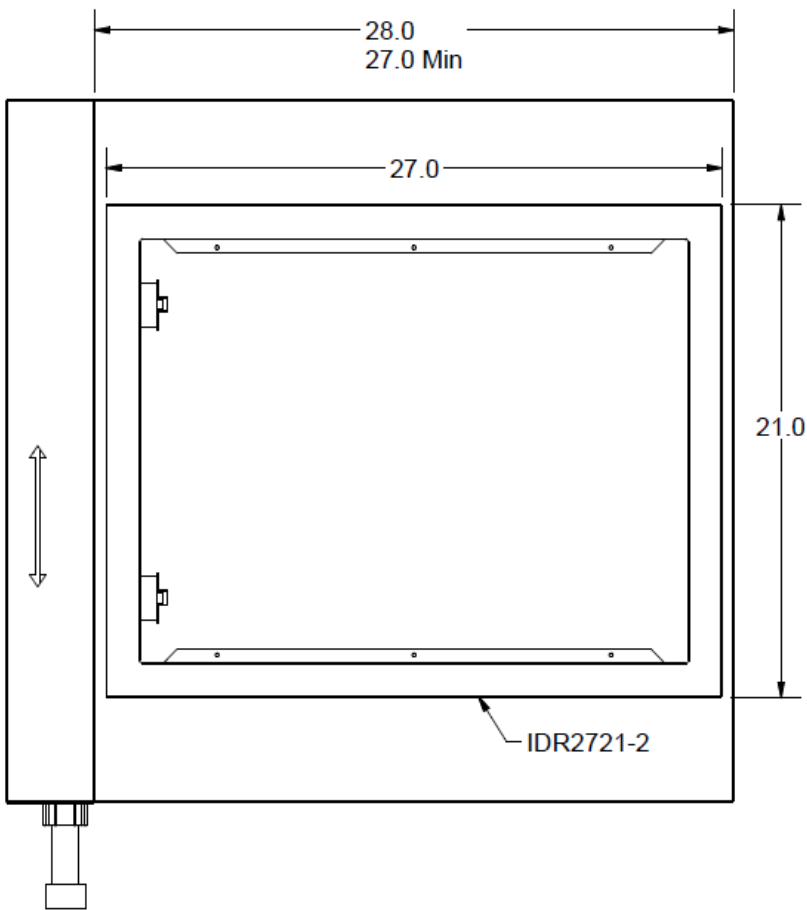
Size of corner post is constant, width of panels varies depending on cabinet depth, size of front corner filler (OAF45), and whether back panels are used or not. This example is for 27"D cabinets with back panels and a 2" x 2" OAF90 (OAF45 4.00).

Product Description	
OAR45: Rear corner support column with two back panels to attach in void where OAF45 front base corner filler is used. Post size is constant, panel sizes are based on front base corner filler size (OAF45). Single adjustable leg on column to match those on cabinetry, can be upgraded to SSLEG.	
27" Depth SKU	Description
OAR45XX NO VENT	Solid Panels
OAR45XX VENT	Vented Panels
OAR45XX EQUAL BP VENT	Galvanized and vented panels, for use with Equal Back Panels and Extended Back Panels

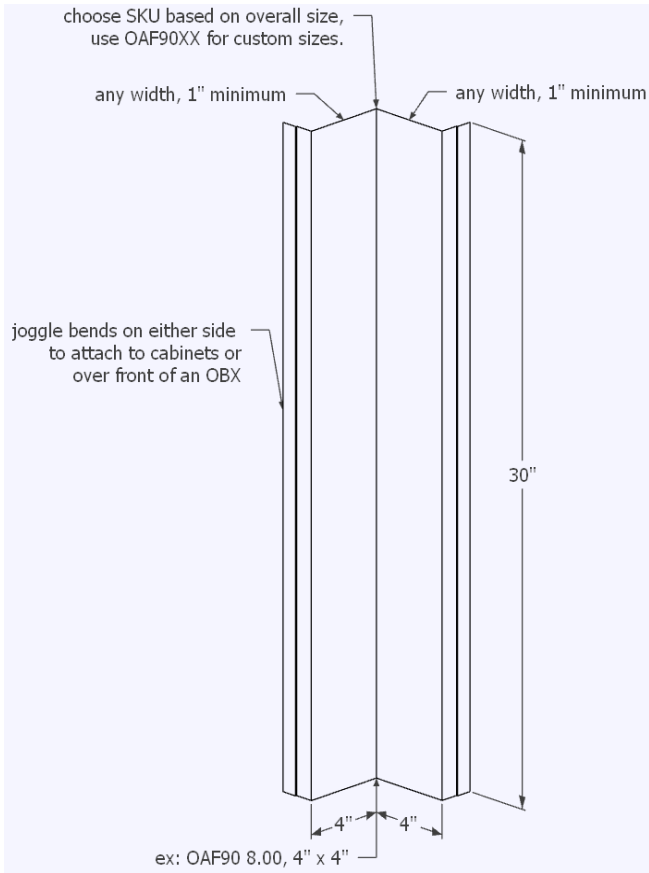


Cabinet Accessories - OAR90XX Access

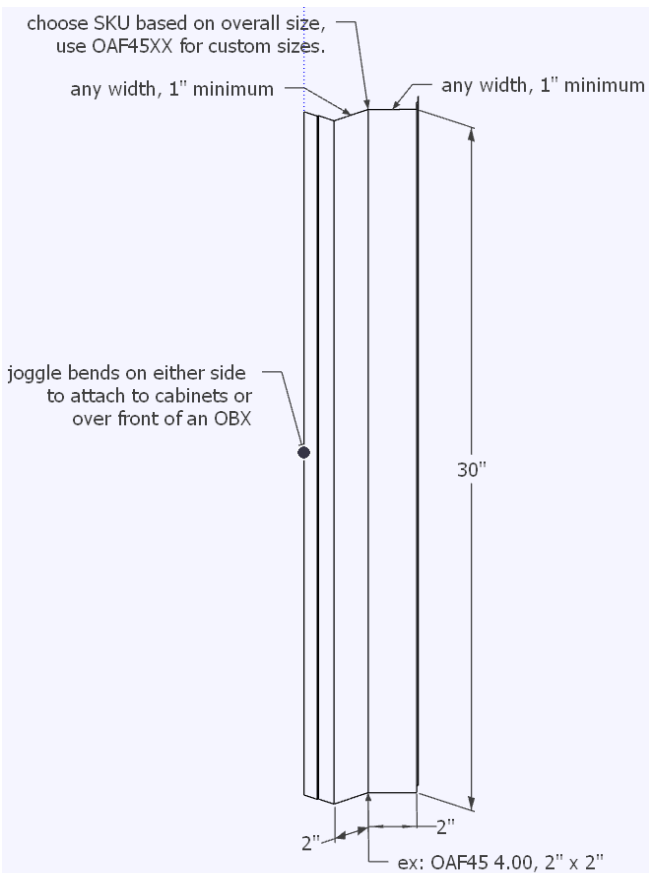
Product Description	
<p>OAR90 Access: Rear corner support column with two back panels to attach in void where OAF90 front base corner filler is used. Post size is constant, panel sizes are based on front base corner filler size (OAF90). Single adjustable leg on column to match those on cabinetry, can be upgraded to SSLEG.</p> <p>One of the back panels (specify which side in notes and on drawing) comes with an insert (IDR2721-2, 27"W x 21"H Frame, Two Flush Access Doors) installed into it for access into corner void. If panel size is too small for that insert, the next largest insert that can fit will be used.</p>	
27" Depth SKU	Description
OAR90XX NO VENT ACCESS	Solid Panels, Insert in one panel
OAR90XX VENT ACCESS	Vented Panels, insert in one panel



Cabinet Accessories - Front Corner Fillers: OAF90/45xx

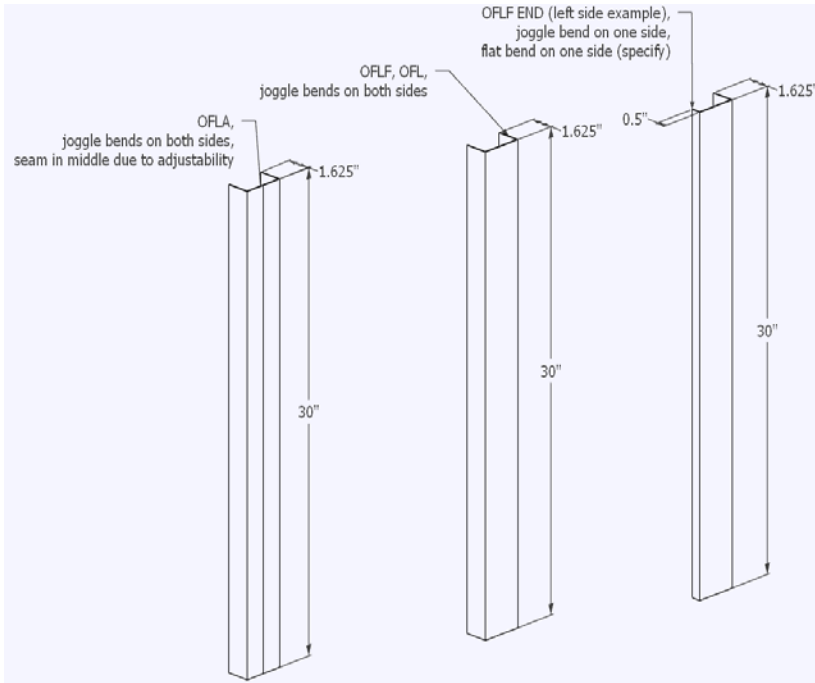


Product Description
<p>OAF90: 90 degree front base corner filler, sits flush with door/drawer faces, attaches to two base cabinets, OBX columns, or a combination of the two depending on your design. SKUs are designated by overall filler width, specify each side of bend. 2"W overall minimum (1" minimum on either side of bend), available in 1/8" increments as needed.</p> <p>Note: If an OBX is used at corner for creating an undercounter appliance space, the OAF90 will attach over the OBX (see Sample Layouts sheet at the beginning of this section).</p> <p>Example: OAF90 8.00, 4" x 4"</p> <p>Example: OAF90 9.50, 3.5" x 6"</p>
SKU
OAF90XX



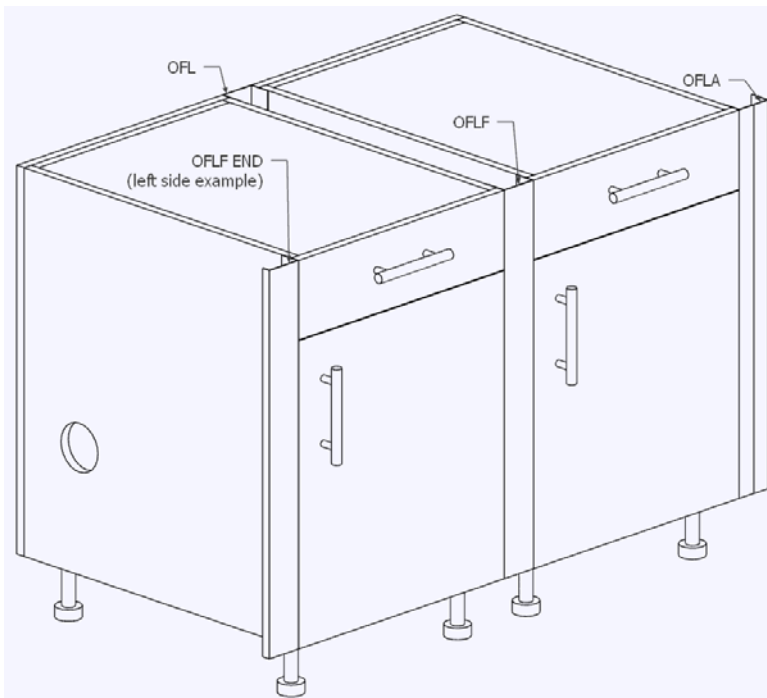
Product Description
<p>OAF45: 45 degree front base corner filler, sits flush with door/drawer faces, attaches to two base cabinets, OBX columns, or a combination of the two depending on your design. SKUs are designated by overall filler width, specify each side of bend. 2"W overall minimum (1" minimum on either side of bend), available in 1/8" increments as needed.</p> <p>Note: If an OBX is used at corner for creating an undercounter appliance space, the OAF45 will attach over the OBX (see Sample Layouts sheet at the beginning of this section).</p> <p>Example: OAF45 4.00, 2" x 2"</p> <p>Example: OAF45 7.25, 4.125" x 3.125"</p>
SKU
OAF45XX

Cabinet Accessories - Front Fillers: OFLFxx, Rear Fillers: OFL xx



Product Description
OFLF: Front base cabinet filler, sits flush with door/drawer faces, joggle bends on both sides to attach between two base cabinets. 1"W minimum, available in 1/8" increments as needed. Example: OFLF 1.25
SKU
OFLFXX

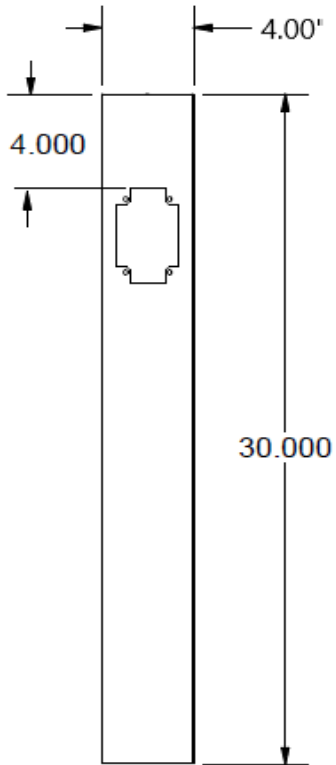
Product Description
OFL: Rear base cabinet filler, installs flush with cabinet back or back panels if present, attaches between two base cabinets. 1"W minimum, available in 1/8" increments as needed. Example: OFL 1.25
SKU
OFL XX



Product Description
OFLF END: Front base cabinet end filler, sits flush with door/drawer faces, attaches between a base cabinet and a wall. 0.5"W minimum, available in 1/8" increments as needed. Joggle bend on one side to attach to cabinet, flat bend on other side for easy installation to wall, specify side. Example: OFLF END 2.00
SKU
OFLF END XX

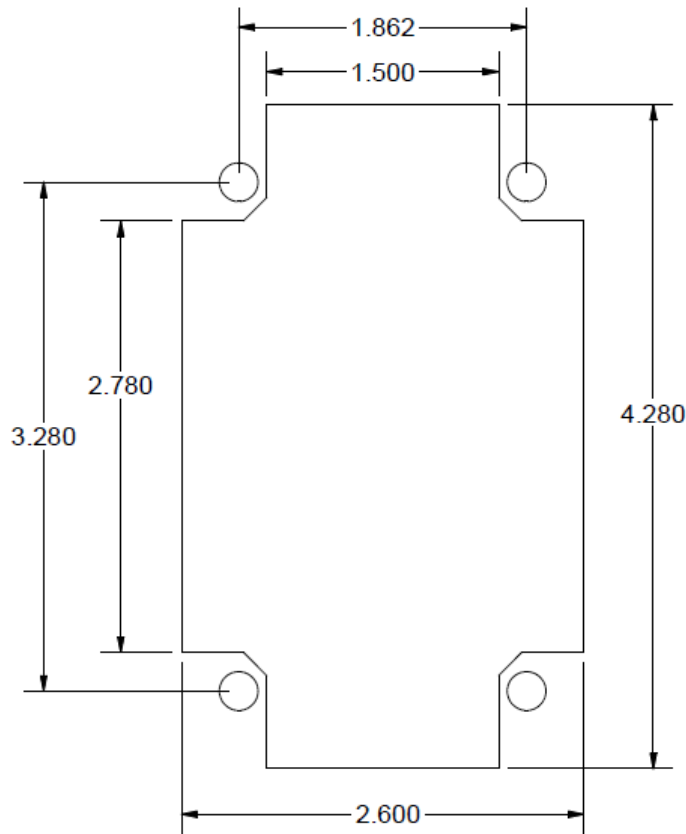
Product Description
OFLA: Adjustable front base cabinet filler, sits flush with door/drawer faces, joggle bends on both sides to attach between two base cabinets.
SKU
OFLA 1.0-1.50
OFLA 1.5-2.38
OFLA 2.0-3.5

Cabinet Accessories - Front/Rear Fillers with GFCI cutout

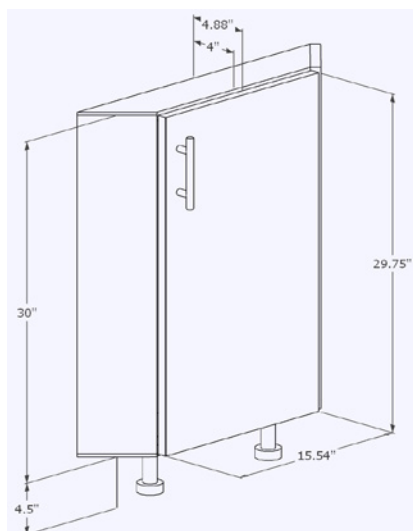
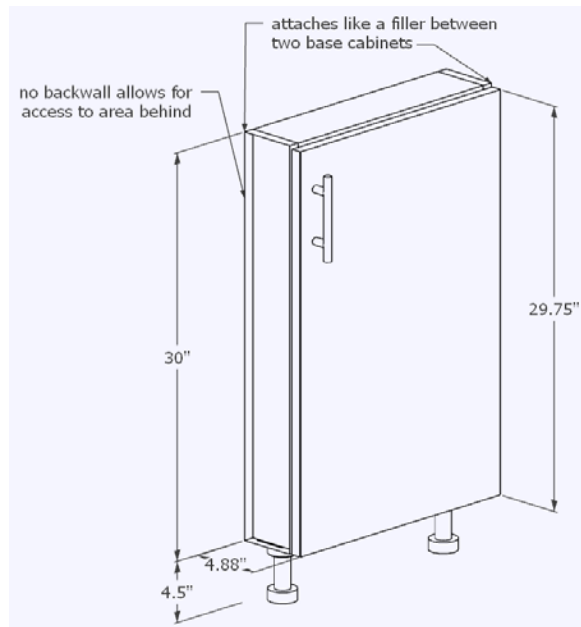
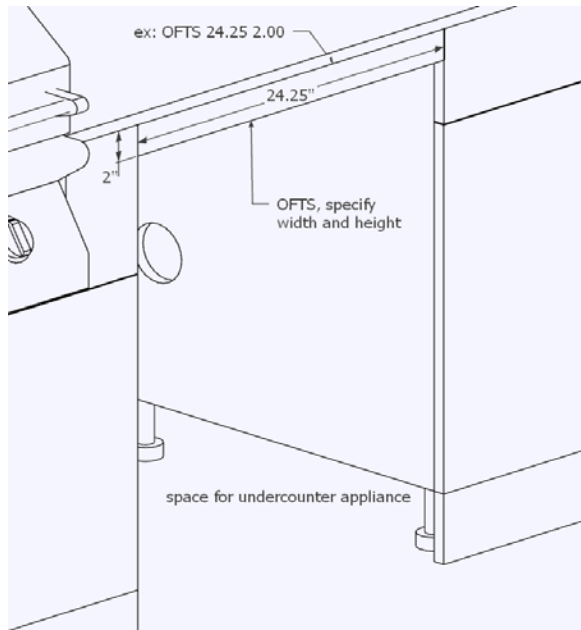


Product Description
OFLF ELEC: Front base cabinet filler, sits flush with door/drawer faces, joggle bends on both sides to attach between two base cabinets. 1"W minimum, available in 1/8" increments as needed. Standard GFCI electrical cutout located 4" down from the top of the filler and centered.
SKU
OFLF 4.00 ELEC

Product Description
OFL ELEC: Rear base cabinet filler, installs flush with cabinet back or back panels if present, attaches between two base cabinets. 1"W minimum, available in 1/8" increments as needed. Standard GFCI electrical cutout located 4" down from the top of the filler and centered.
SKU
OFL 4.00 ELEC



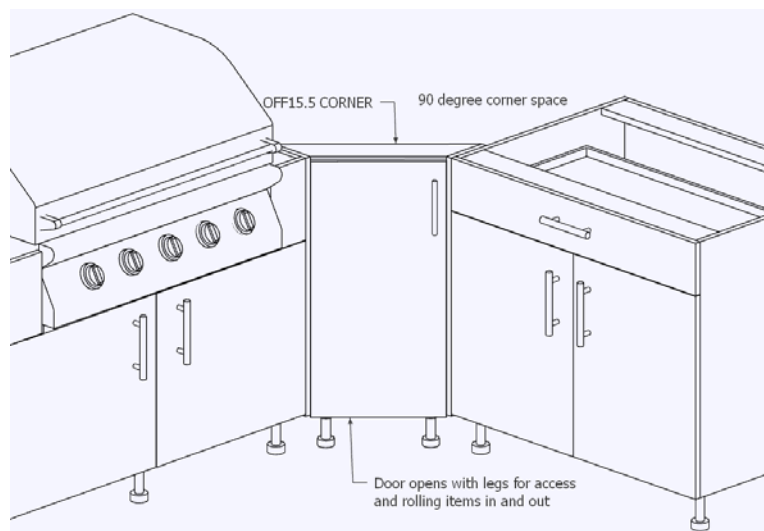
Cabinet Accessories - Undercounter Appliance Filler, Access Door Fillers



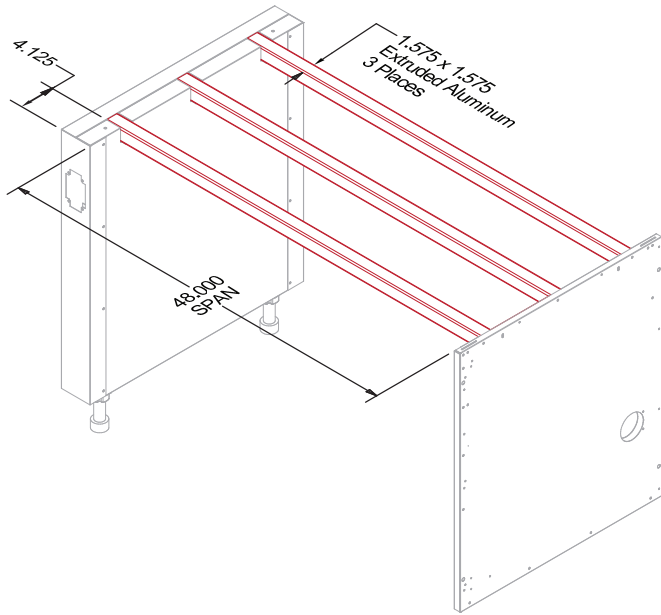
Product Description	
OFTS: Horizontal top spacer to fill gap between undercounter appliance top and countertop. Example SKU: OFTS 24.25 2.00	
SKU	Description
OFTS XX XX	XX" Wide x XX" High

Product Description	
OFF: Full-Height door filler cabinet, 4"D with no back wall for easy access to area behind. 1 Door at 24"W and smaller, 2 doors at 33"W and 36"W. Attaches between two base cabinets. Note: Legs open with door, they do not support the filler, allows for rolling items in and out.	
SKU	
OFF09-LH	
OFF09-RH	
OFF12-LH	
OFF12-RH	
OFF14-LH	
OFF14-RH	
OFF21-LH	
OFF21-RH	
OFF24-LH	
OFF24-RH	
OFF33	
OFF36	

Product Description	
OFF CORNER: Full-Height door filler cabinet, 4"D with no back wall for easy access to area behind. Installs in between two cabinets at a corner. 1 Door, specify hinge direction. Note: Legs open with door, they do not support the filler, allows for rolling items in and out.	
SKU	
OFF15.5 CORNER	



Cabinet Accessories - Countertop Span Support: OCS



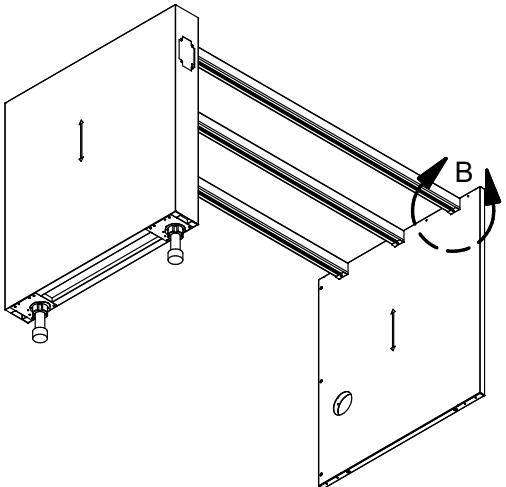
Product Description

OCS: Countertop support spacer. Consists of 3 aluminum extrusions with considerable stiffness. **While the span extrusions are extremely strong, our company does not warrant the spans to keep countertops from cracking, especially if mistreated during use. Your fabricator/installer must make the final call if there are any questions on stability across the span.**

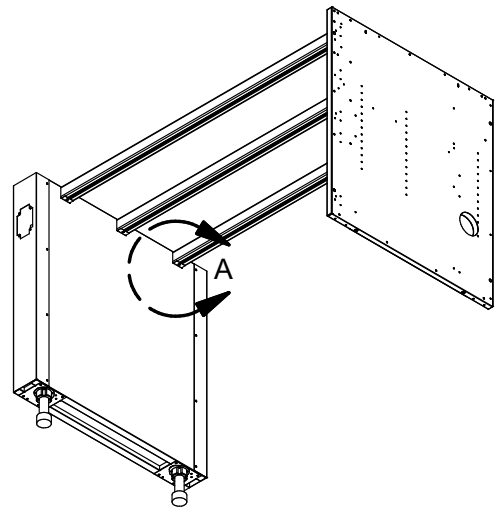
When using an OCS with an ORP at the end of a run, be sure to select an ORP OCS part. When using an OCS with a cabine, finish the cabinet side using an OFE OCS part.

SKU

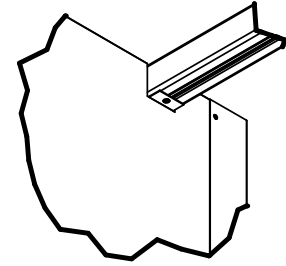
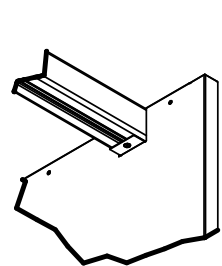
OCS30
OCS33
OCS36
OCS39
OCS42
OCS45
OCS48



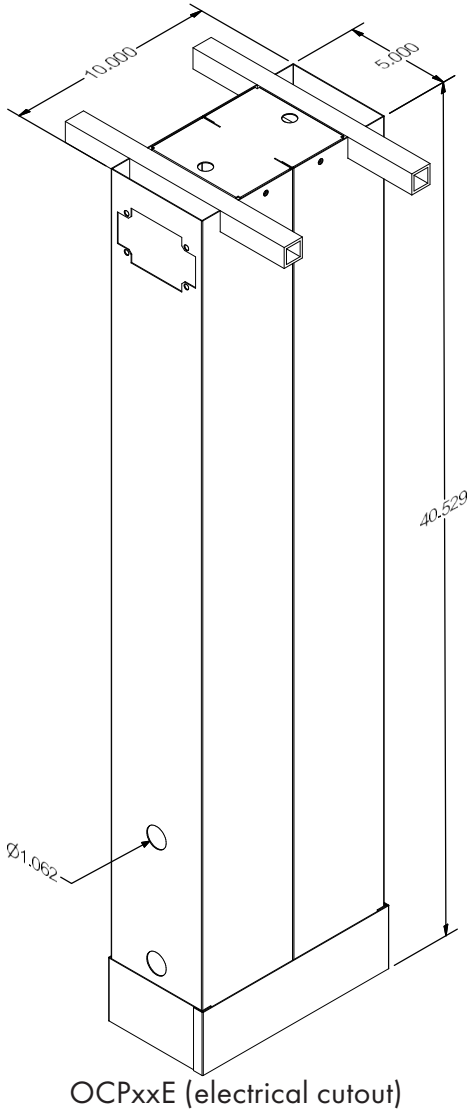
DETAIL B
SHOWING TAB



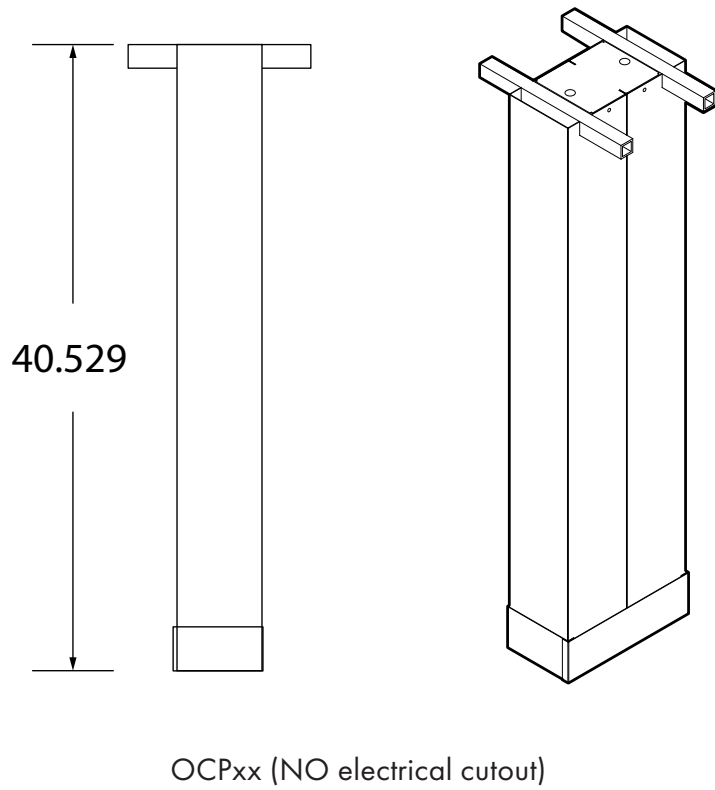
DETAIL A
SHOWING TAB



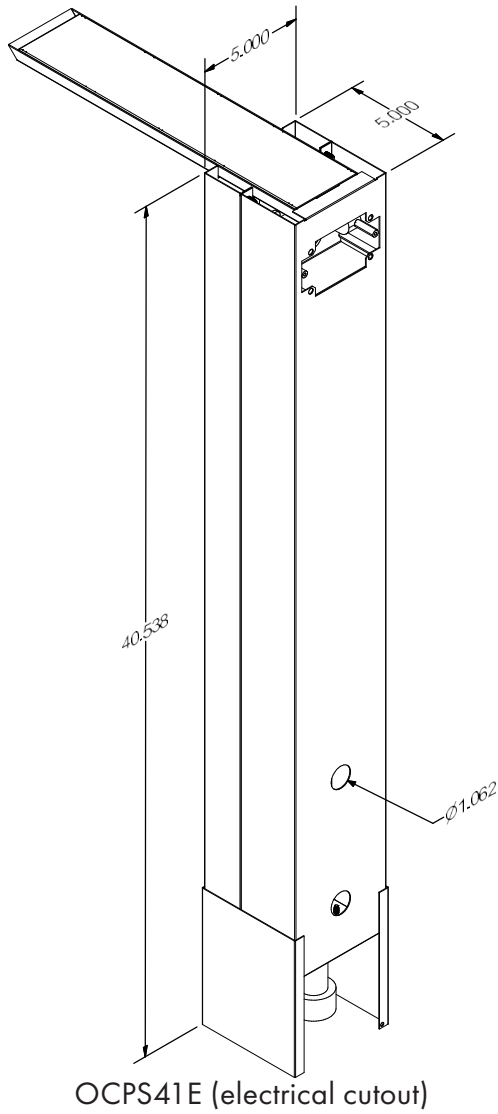
Cabinet Accessories - Countertop Support Piers: OCPxx



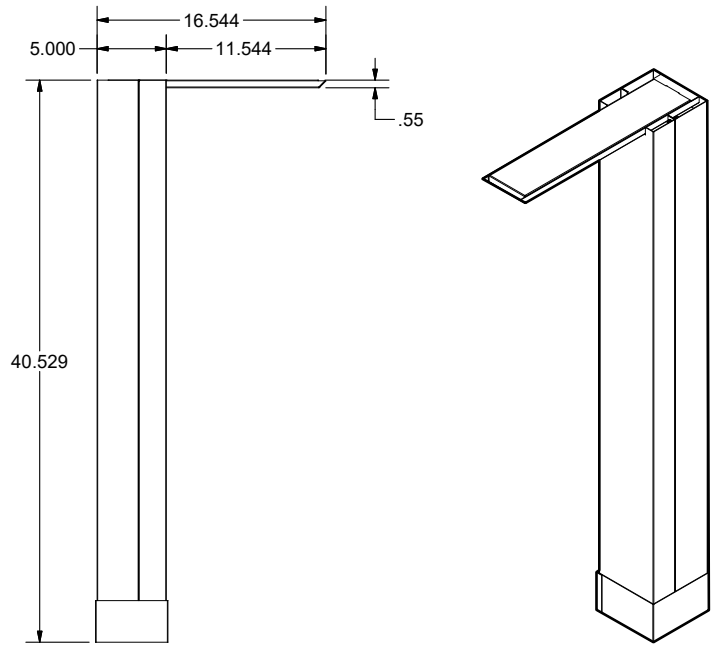
Product Description
OCP: Raised countertop support piers for creating a bar behind cabinets, 5"W x 10"D, 31.75", 34.5", and 41" heights available. Comes with adjustable feet and sliding bracket to cover them. Optional electrical cutout version available. Must order with 1" x 1" support span (comes in 84" lengths, cut onsite as needed).
Standard SKU
OCP31.75
OCP34.5
OCP41
With Electrical Cutout SKU
OCP41E
Tubular Support Span SKU
OCP SPAN



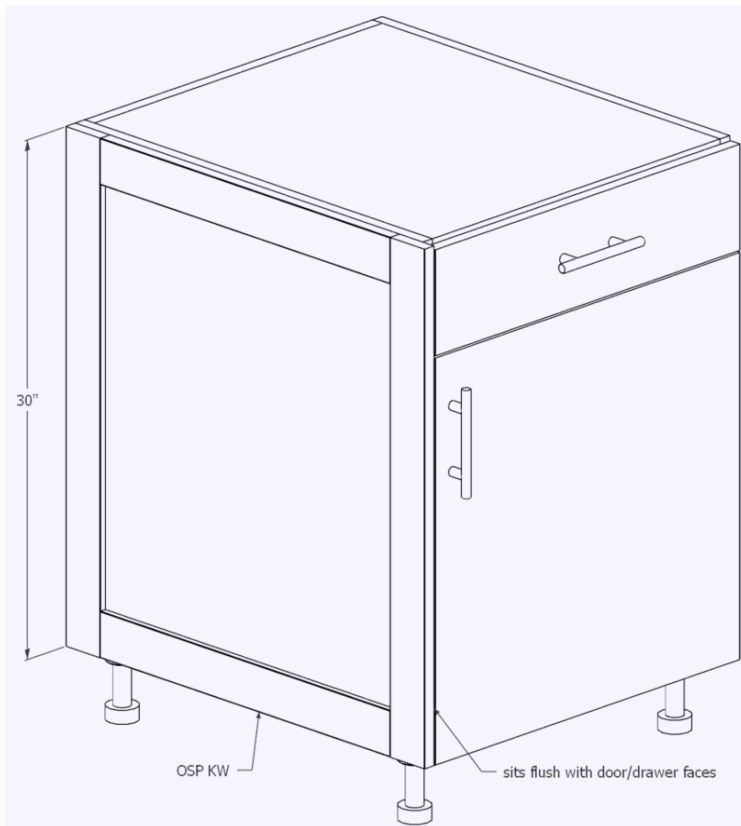
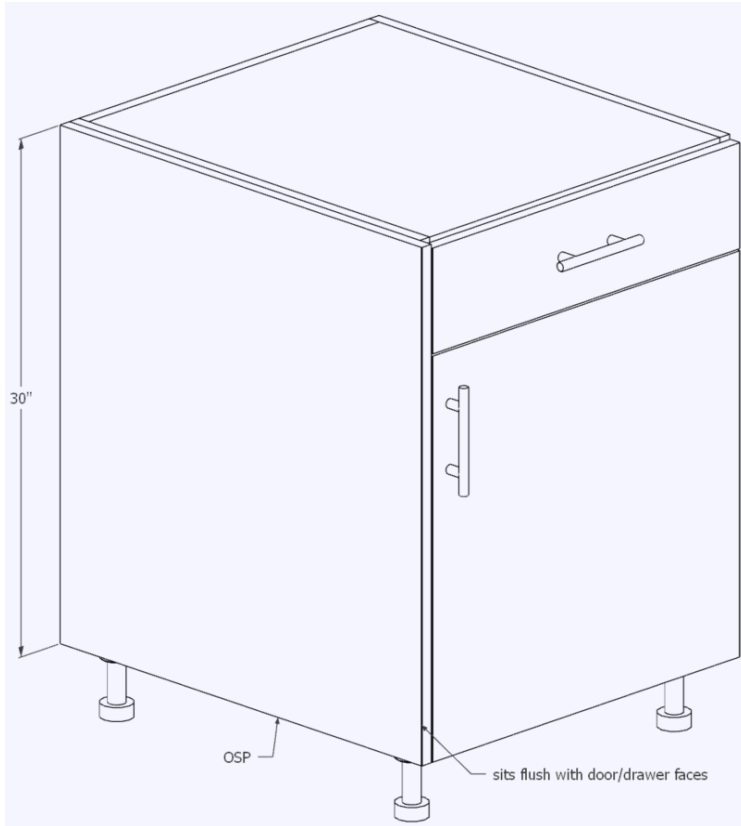
Cabinet Accessories - Countertop Support Piers: OCPSxx



Product Description
OCPS: Raised countertop support piers for creating a bar behind cabinets, 5"W x 5"D, 31.75", 34.5", and 41" heights available. Comes with adjustable feet and sliding bracket to cover them. Uses arm to support countertop. Does not require OCP SPAN.
Standard SKU
OCPS31.75
OCPS34.5
OCPS41
With Electrical Cutout SKU
OCPS41E



Cabinet Accessories - Side Panels: OSP



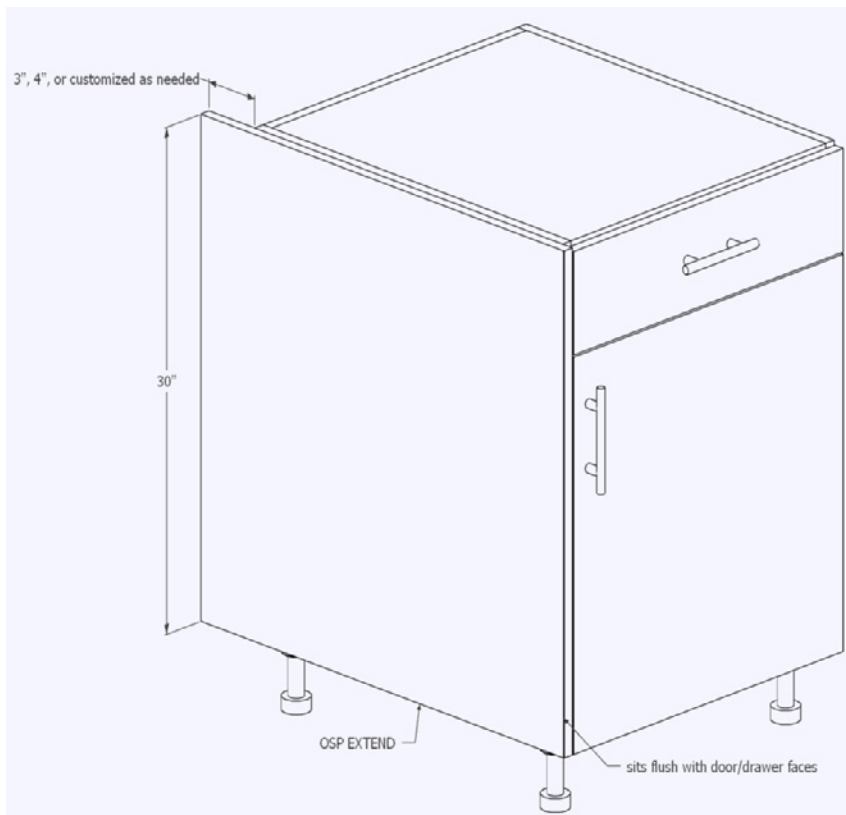
Product Description	
OSP: 3/4" Thick side panels for base cabinets. Panels sit flush with door/drawer faces and back panels if used. Specify based on cabinet side and depth (select .75" deeper for use with back panels).	
24" Depth SKU	
OSP 24.88L	
OSP 24.88R	
OSP 25.63L	24"D Cabinet with back panel
OSP 25.63R	24"D Cabinet with back panel
27" Depth SKU	
OSP 27.88L	
OSP 27.88R	
OSP 28.63L	27"D Cabinet with back panel
OSP 28.63R	27"D Cabinet with back panel

OSP panels can be made to match any door style.

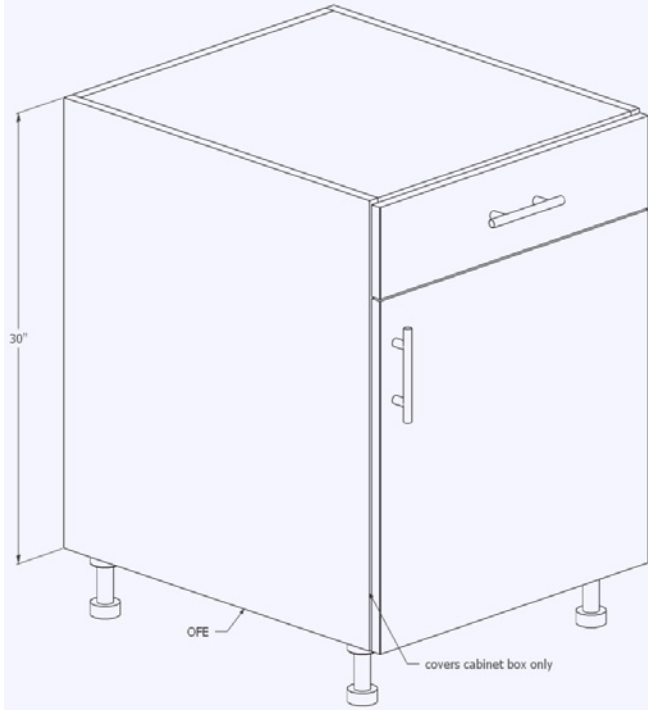
SKU Prefix	Door Style
OSP KW	Key West Panel
OSP KW BB	Key West Bead Board Center
OSP KW LV	Key West Louvered Center
OSP KW SG	Key West Seaglass Center (Sky Blue, Seafoam Green, or Cloud White)
OSP KW TX	Key West Textured Center (Bark or Weave)
OSP PB	Palm Beach Panel
OSP PB SG	Palm Beach Seaglass Center (Sky Blue, Seafoam Green, or Cloud White)
OSP PB TX	Palm Beach Textured Center (Bark or Weave)
OSP LD	London Style Panel
OSP NP	Newport Style Panel

Cabinet Accessories - OSP Extended

Product Description	
<p>OSP EXTEND: 3/4" Thick side panels for base cabinetry, extends past the back of cabinet to cover gaps in back when cabinets are pulled forward from walls. Panels sit flush with door/drawer faces in front.</p> <p>3" and 4" extended panels standard.</p> <p>Custom sizes also available, use "XX" SKU. Specify based on cabinet size and depth.</p>	
27" Depth SKU	24" Depth SKU
OSP 27.88L EXTEND 3.0	OSP 24.88L EXTEND 3.0
OSP 27.88R EXTEND 4.0	OSP 24.88R EXTEND 4.0
OSP EXTEND XX XX	XX" Wide x XX" Extended width

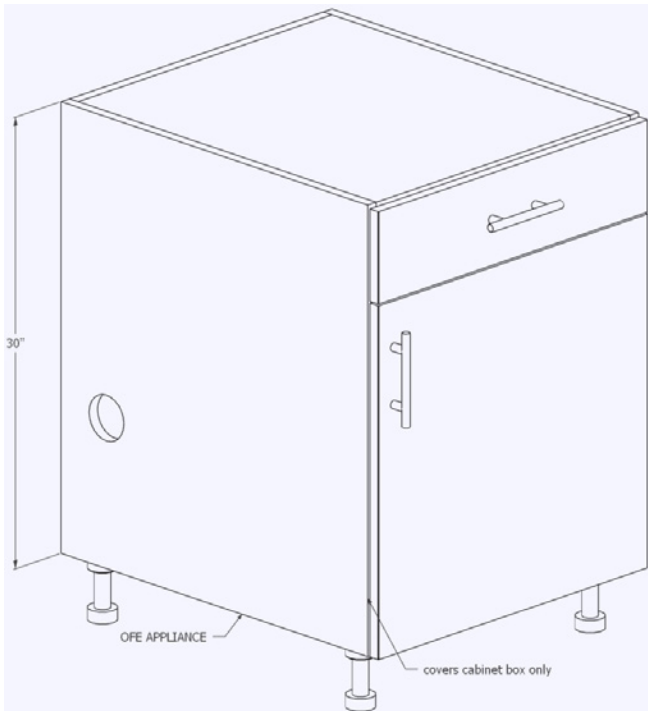


Cabinet Accessories - Flush End Panels: OFE xxL/R, OFEGFxx

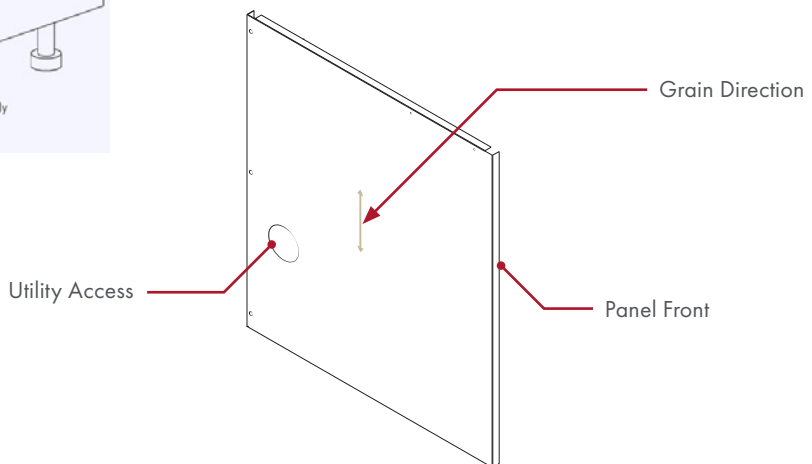


Product Description	
OFE: Base cabinet flush side panel. Sits flush to cabinet side, specify based on cabinet side and depth.	
27" Depth SKU	24" Depth SKU
OFE 27L	OFE 24L
OFE 27R	OFE 24R

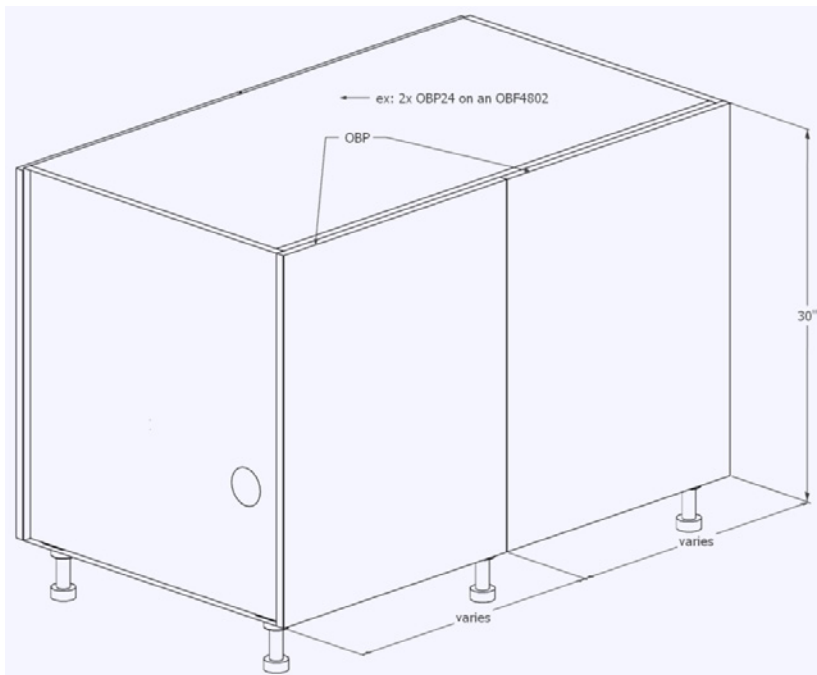
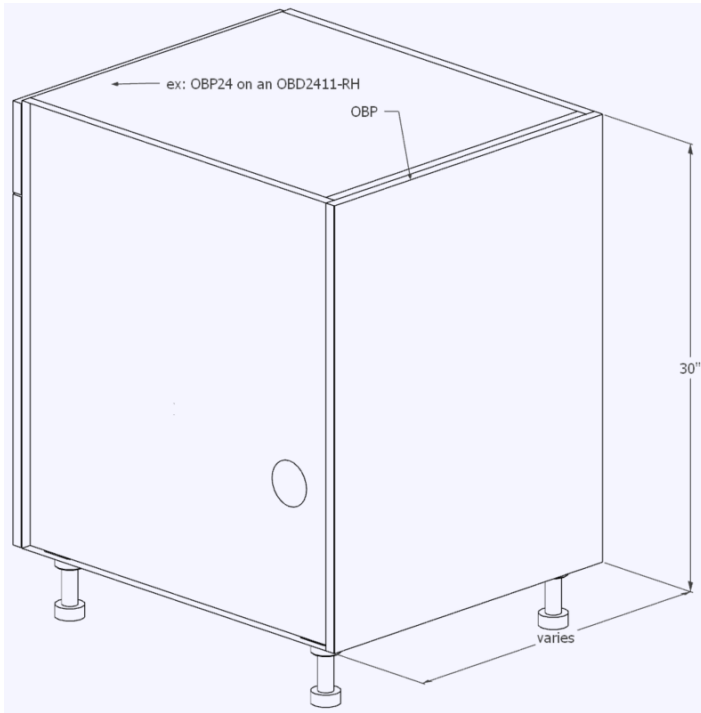
Product Description	
OFE APPLIANCE: Base cabinet flush side panel. Sits flush to cabinet side, has round knockout access hole for plumbing/electrical in rear of panel, used to finish a cabinet side adjacent to an undercounter appliance, specify based on cabinet side and depth.	
27" Depth SKU	24" Depth SKU
OFE 27L APPLIANCE	OFE 24L APPLIANCE
OFE 27R APPLIANCE	OFE 24R APPLIANCE



Product Description	
OFEGF: Base cabinet galvanized flush side panel. Sits flush in cabinet side, used to fill in cabinet side for adhering waterfall countertops and other materials, specify based on cabinet depth.	
24" Depth SKU	
OFEGF24	
27" Depth SKU	
OFEGF27	

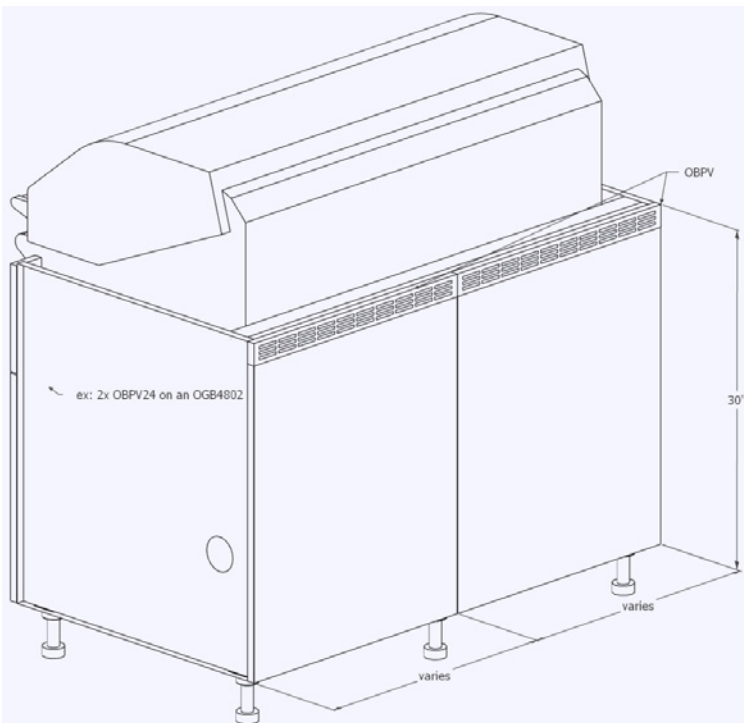
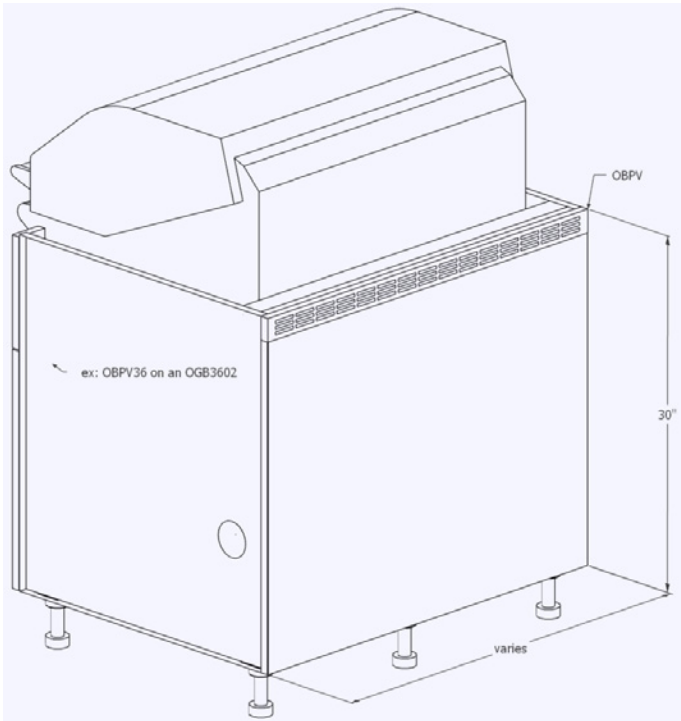


Cabinet Accessories - Back Panels: OBP



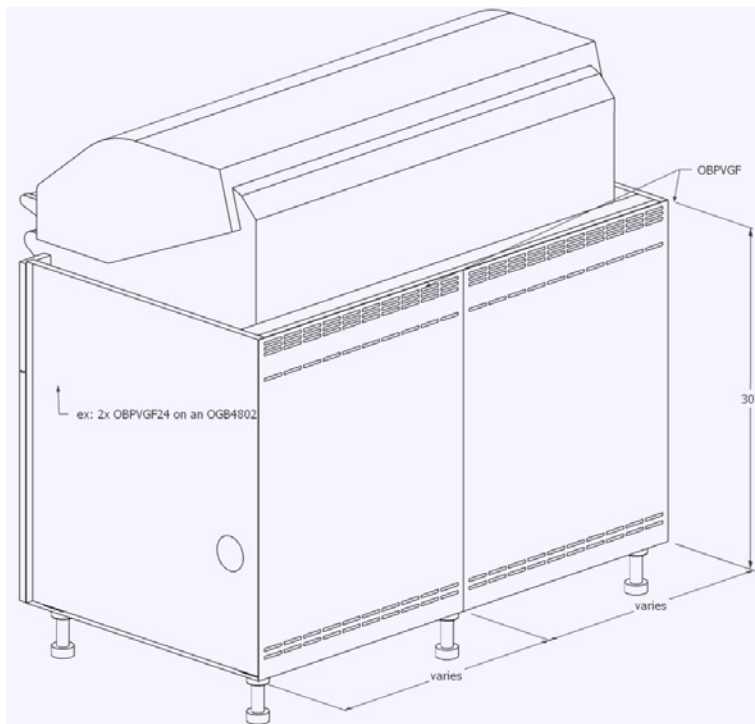
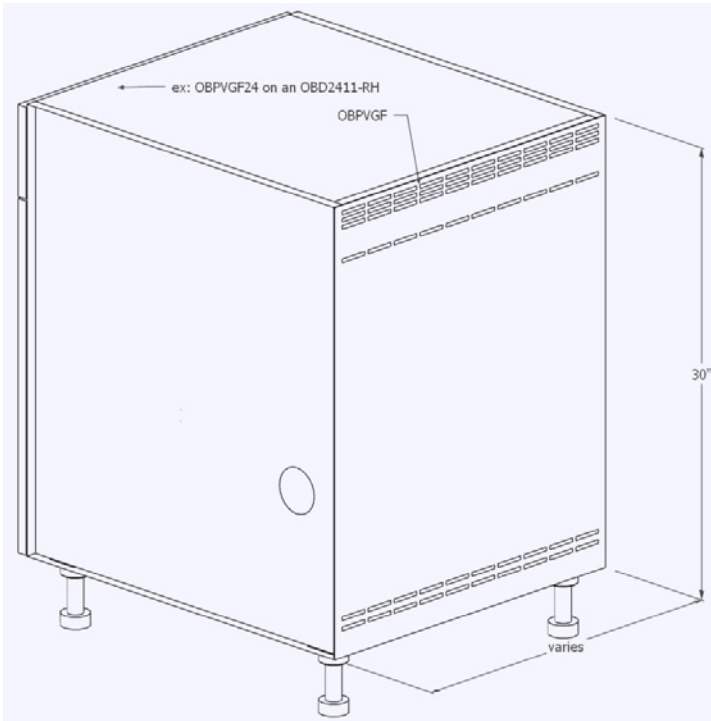
Product Description	
<p>OBP: 3/4" Thick back panel for base cabinets. Fits exact width of cabinet up to 39"W, wider cabinets use two smaller back panels (ex. <i>OBF4202 uses two 21"W back panels</i>).</p> <p>Note: Use standard OBP for ADA SINK SPACE.</p>	
SKU	Description
OBP09	9" back panel
OBP12	12" back panel
OBP15	15" back panel
OBP18	18" back panel. Order 1 for an 18" or 2 for a 36" non-appliance cabinet.
OBP19.5	19 1/2" back panel. Order 2 for a 39" non-appliance cabinet.
OBP21	21" back panel. Order 1 for a 21" cabinet or 2 for a 42" cabinet.
OBP22	22" back panel. Order 3 for Galley sink - OBS6603.
OBP22.5	22 1/2" back panel. Order 2 for a 45" non-appliance cabinet.
OBP24	24" back panel. Order 1 for a 24" cabinet or 2 for a 48" cabinet.
OBP26	26" back panel. Order 2 for a 52" non-appliance cabinet.
OBP27	27" back panel
OBP30	30" back panel
OBP33	33" back panel
OBP36	36" back panel
OBP39	39" back panel
OBP36 ADA	36" back panel for OBS3600 ADA
OBP39 ADA	39" back panel for OBS3900 ADA
OBP42 ADA	42" back panel for OBS4200 ADA
OBP48 ADA	48" back panel for OBS4800 ADA

Cabinet Accessories - Vented Back Panels: OBPV



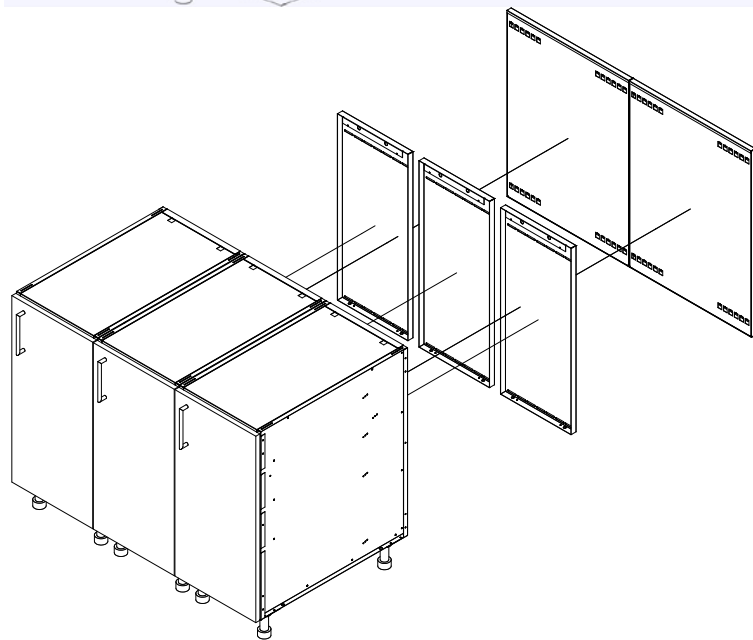
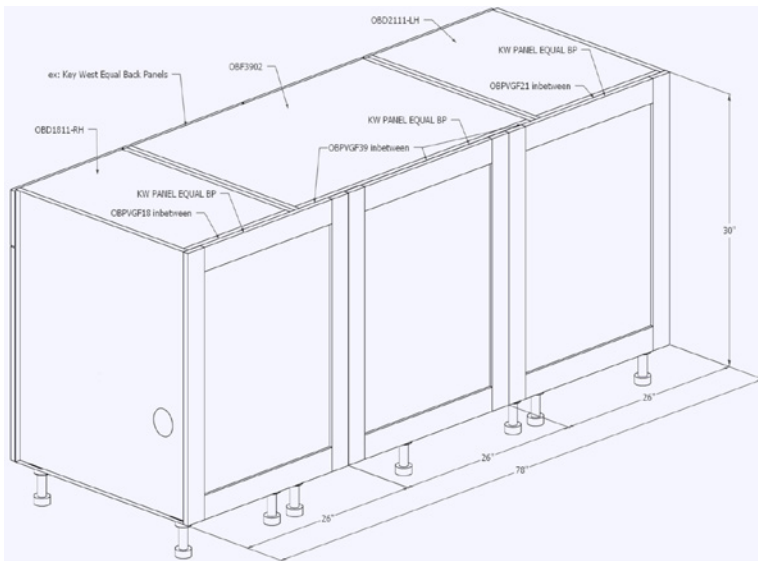
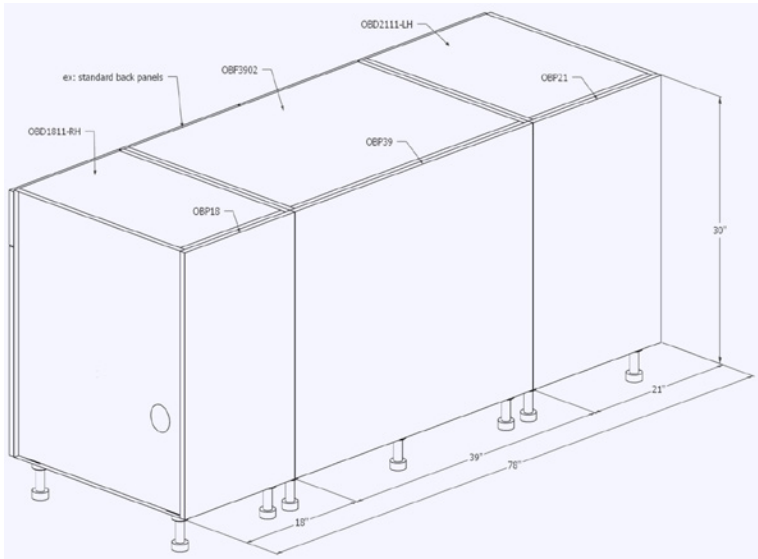
Product Description	
<p>OBPV: 3/4" Thick vented back panel for base cabinets. Use with cooking appliance cabinets (OGB, OBB, etc.), fits exact width of cabinet up to 36"W, wider cabinets use two smaller back panels (ex. OGB5841 uses two 29"W back panels).</p>	
SKU	Description
OBPV15	15" vented back panel
OBPV18	18" vented back panel. Order 1 for a side burner or 2 for a 36" grill cabinet.
OBPV21	21" vented back panel. Order 2 for a 42" grill cabinet.
OBPV24	24" vented back panel. Order 2 for a 48" grill cabinet.
OBPV24 OGF	24" vented back panel. Order 2 for a 48" OGF cabinet.
OBPV27	27" vented back panel. Order 2 for a 54" grill cabinet.
OBPV29	29" vented back panel. Order 2 for a 58" grill cabinet.
OBPV30	30" vented back panel
OBPV31	31" vented back panel. Order 2 for a 62" grill cabinet.
OBPV31 OGF	36" vented back panel. Order 2 for 62" OGF cabinet.
OBPV33	33" vented back panel
OBPV36	36" vented back panel
OBPV39	39" vented back panel.

Cabinet Accessories - Galvanized Vented Back Panels: OBPVGF



Product Description	
<p>OBPVGF: Base cabinet galvanized flush back panel. Sits flush in cabinet back, used to fill in cabinet back for adhering waterfall countertops and other materials. used in conjunction with Equal Back Panels and Extended Back Panels. Fits exact width of cabinet up to 39"W, wider cabinets use two smaller back panels.</p>	
SKU	Description
OBPVGF09	Galvanized 9" filler back panel
OBPVGF12	Galvanized 12" filler back panel
OBPVGF15	Galvanized 15" filler back panel
OBPVGF18	Galvanized 18" filler back panel. Order 1 for an 18" side burner or 2 for a 36" grill cabinet.
OBPVGF21	Galvanized 21" filler back panel. Order 1 for an 21" side burner or 2 for a 42" grill cabinet.
OBPVGF22.5	Galvanized 22.5" filler back panel. Order 2 for a 45" cabinet.
OBPVGF24	Galvanized 24" filler back panel. Order 2 for a 48" grill cabinet.
OBPVGF27	Galvanized 27" back panel. Order 2 for a 54" grill cabinet.
OBPVGF29	Galvanized 29" filler back panel. Order 2 for a 58" grill cabinet.
OBPVGF30	Galvanized 30" filler back panel.
OBPVGF31	Galvanized 31" filler back panel. Order 2 for 62" OGF cabinet.
OBPVGF33	Galvanized 33" filler back panel
OBPVGF36	Galvanized 36" filler back panel
OBPVGF39	Galvanized 39" filler back panel

Cabinet Accessories - Equal Back Panels



Product Description

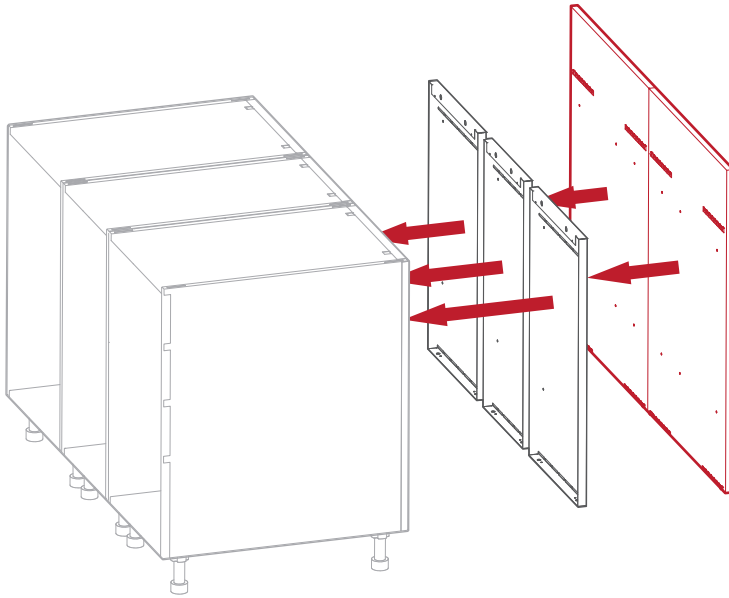
Equal Back Panels: 3/4" Thick back panels for base cabinets made to match any door style. Widths 24"W – 36"W, custom made to equally span across a run. Must be ordered with OBPVGF galvanized filler back panels on corresponding cabinets for proper installation. Vented or non-vented depending on what cabinets they are being installed on.

Notes: When used with OSP finished side panels, choose the depth of the cabinet with back panels (ex: OSP 28.63 for 27.88"D cabinets). When using Equal Back Panels with an OAR corner setup, one side will overhang by .75" to meet up with the equal panels on the other side.

SKU

Door Style	Non-vented	Vented
Hampton	HM PANEL EQUAL BP	HM PANEL EQUAL BP VENTED
Key West	KW PANEL EQUAL BP	KW PANEL EQUAL BP VENTED
Key West Beadboard Center	KW BB CENTER EQUAL BP	KW BB CENTER EQUAL BP VENTED
Key West Louvered Center	KW LV CENTER EQUAL BP	KW LV CENTER EQUAL BP VENTED
Key West Seaglass Center (Sky Blue, Seafoam Green or Cloud White)	KW SG CENTER EQUAL BP	KW SG CENTER EQUAL BP VENTED
Palm Beach	PB PANEL EQUAL BP	PB PANEL EQUAL BP VENTED
Palm Beach Seaglass Center (Sky Blue, Seafoam Green or Cloud White)	PB SG CENTER EQUAL BP	PB SG CENTER EQUAL BP VENTED
Palm Beach Textured Center (Bark or Weave)	PB TX CENTER EQUAL BP	PB TX CENTER EQUAL BP VENTED
Trex LONDON	LD EQUAL BP	LD EQUAL BP VENTED
Trex NEWPORT	NP EQUAL BP	NP EQUAL BP VENTED

Cabinet Accessories - Extended Back Panels: OBP EXT

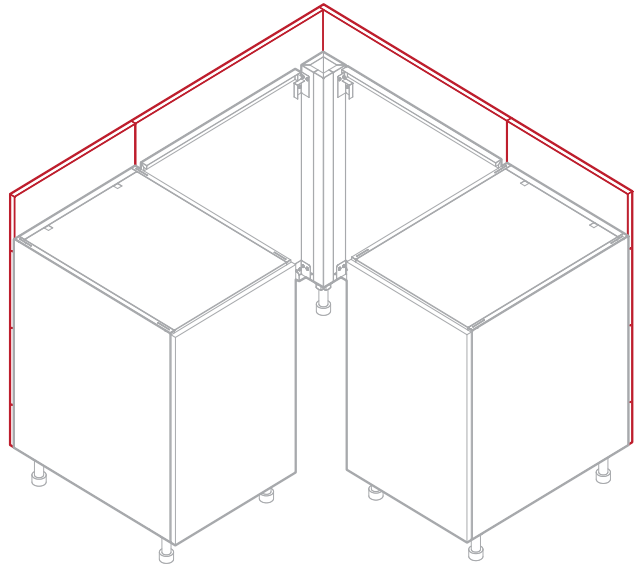
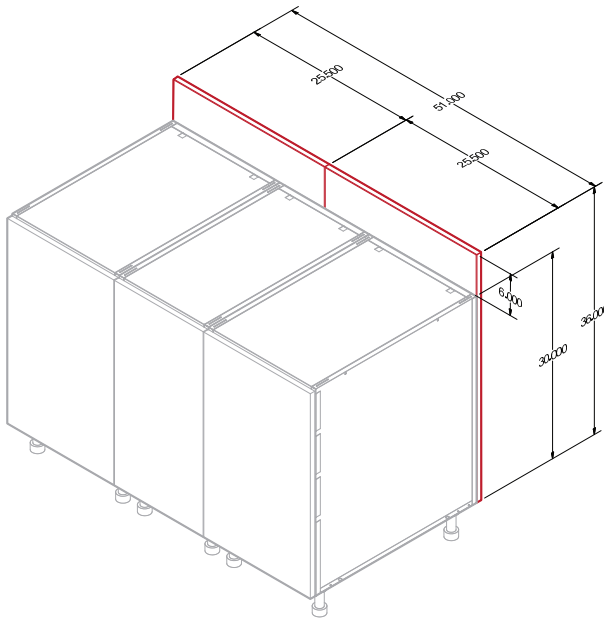


Product Description

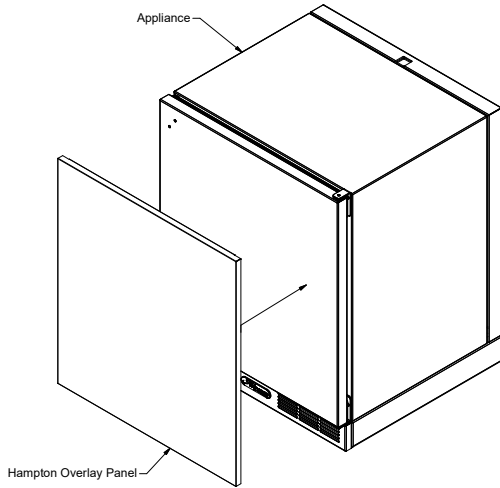
OBP Extended: 3/4" thick back panels for base cabinets that extend 6" above cabinet tops. Height does not scale with countertop height, panels end 6" above the cabinet tops without any countertop. Widths 24"W - 36"W, custom made to span equally across a run. Must be ordered with OBPVGF galvanized filler back panels on corresponding cabinets to install. Vented or non-vented depending on cabinets installed on.

Notes: When used with OSP finished side panels, choose the depth of the cabinet with back panels. (Ex: OSP 28.63 for 27.88"D cabinets). When using Extended Back Panels with an OAR corner setup, one side will overhang by .75" to meet with equal panels on other side

SKU	Description
OBP EXT	Finished equal back panels that extend 6" above cabinet tops.
OBP EXT VENTS	Finished vented equal back panels that extend 6" above cabinet tops.



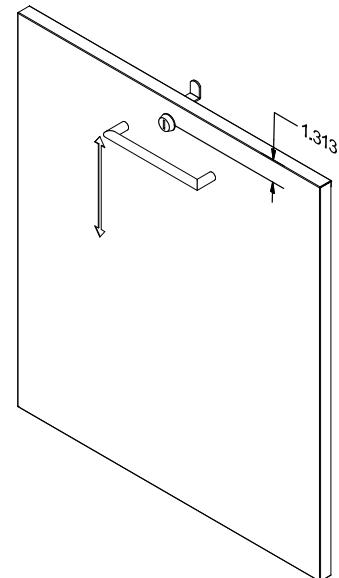
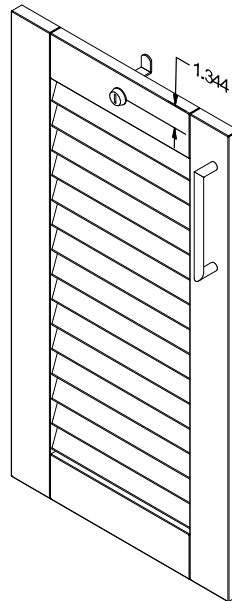
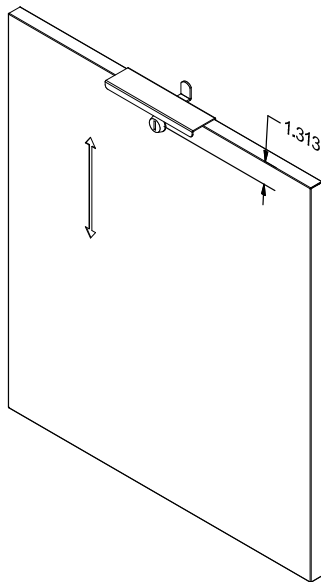
Cabinet Accessories - Appliance Overlay Panels, Locks



HAMPTON OVERLAY PANEL

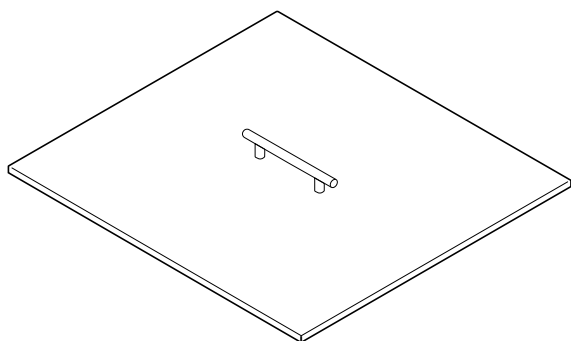
Product Description
<p>Panels made to match any door/drawer style for most outdoor rated panel ready appliances such as refrigerators, ice makers, beverage centers, etc. Glass door frames in the Key West or Rio style are also possible. Please submit manufacturer specifications for panel(s) when requesting a kitchen quote.</p> <p>Example SKU: True 15 HM-LH. This panel is used for a True 15" refrigerator, Hampton (slab) door style, left-hinged.</p>

Product Description
<p>LOCK: Add keyed lock to Hampton, Key West, Palm Beach, or Pull Tab doors. Can be applied to Key West doors but not drawers.</p>



LOCK POSITIONS

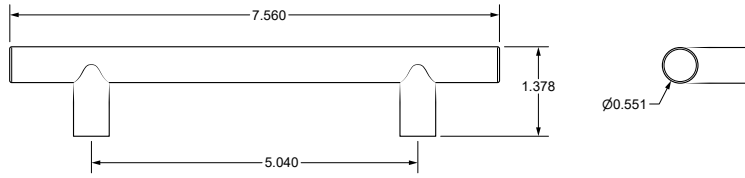
Cabinet Accessories - Sink Covers: SCxxxx



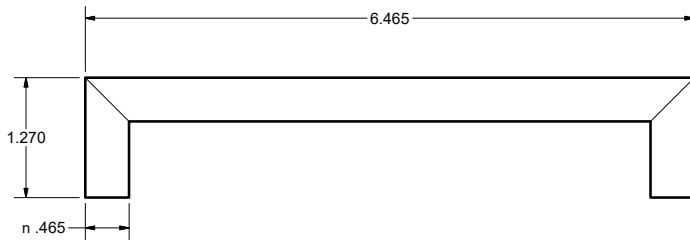
Product Description
SC: Stainless 304 sink covers with handles to match cabinets. Can be powder coated to match cabinets. Custom sizes available, please contact sales. *Size listed is inside dimension* Ex: 21"W x 16"H
SKU
SC2116
SC2121
SC2422
SC3222
SC3422
SC3822
SC4322

Cabinet Accessories - Handles

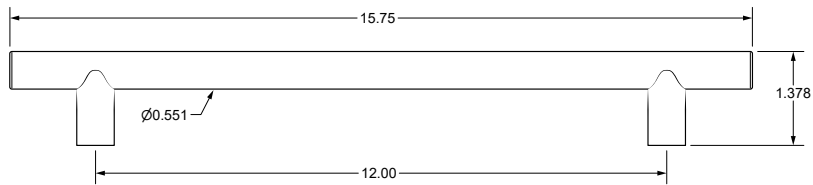
Standard Bar Pull Handles



NOTE: Current T-bar pull.



NOTE: New 6" center to center handle to replace 128mm T-Bar handle on all doors and drawers starting **6/14/2021**.

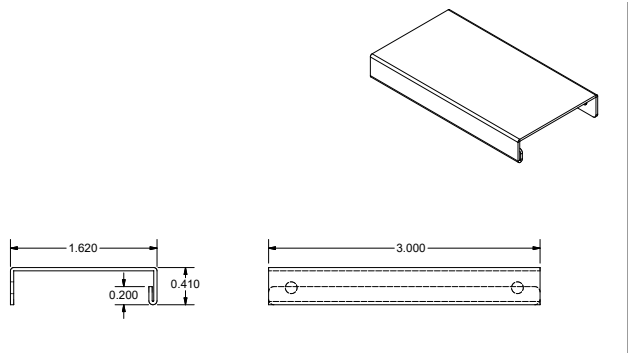


NOTE: For use on appliance overlay panels only

Product Description

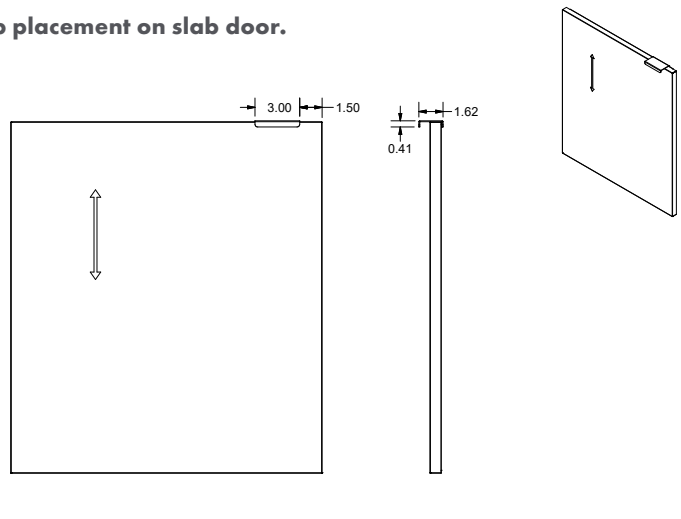
All Denver/Brown Jordan Outdoor Kitchens cabinets come drilled and assembled with our standard stainless steel bar pull unless otherwise noted at the time of order.

Cabinet Accessories - Pull Tab Handles

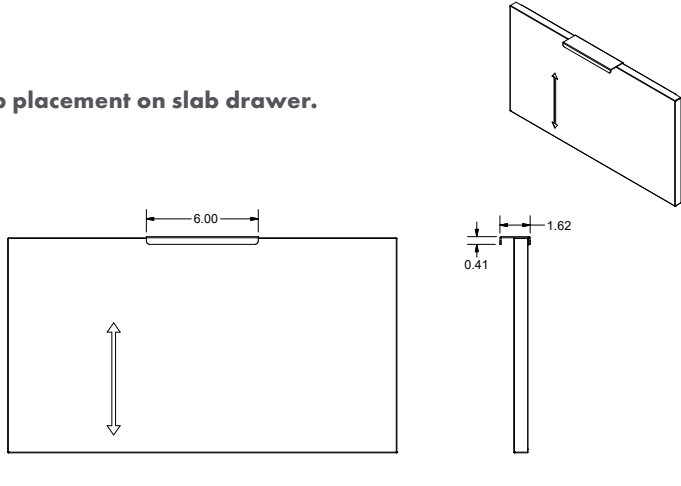


Product Description
PULL TAB: Stainless steel tab pull, can be powder coated. Top Center install on drawers. Top Edge install on doors.
Notes
Door pulls: 3" wide, 1 5/8" deep, 3/8" tab
Drawer pulls: 6" wide, 1 5/8" deep, 3/8" tab

Pull tab placement on slab door.

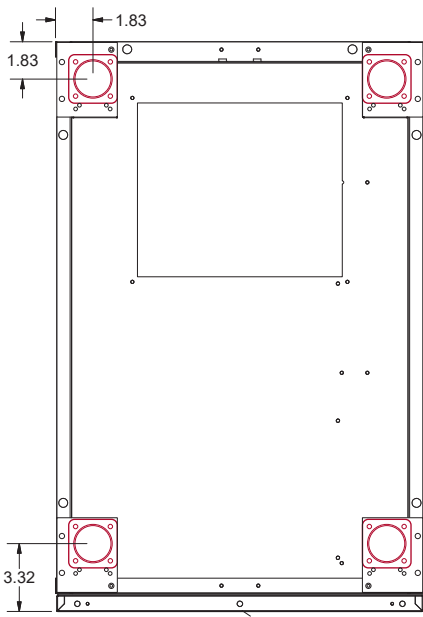


Pull tab placement on slab drawer.

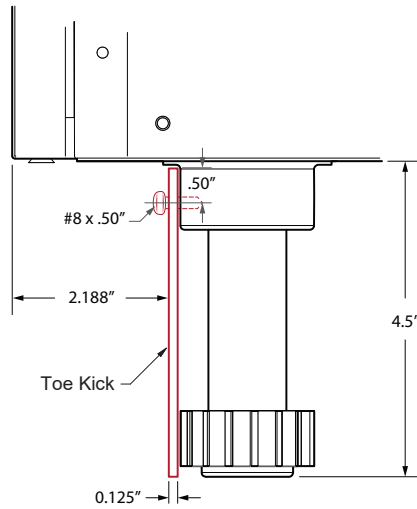


Cabinet Accessories - Legs

Typical cabinet leg location.



Bottom View



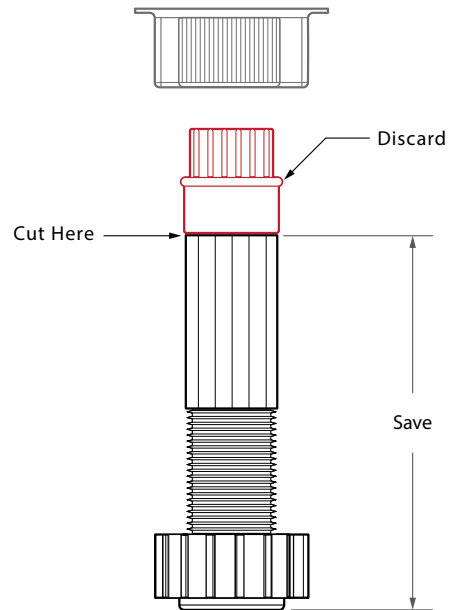
Side View

Our standard cabinetry leg is adjustable from 3.625" to 6.00".

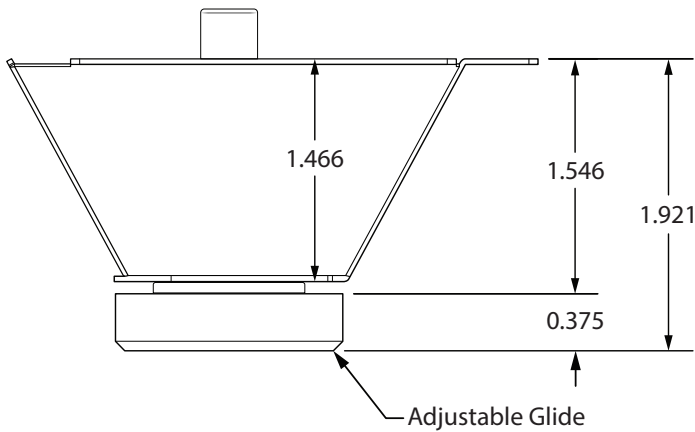
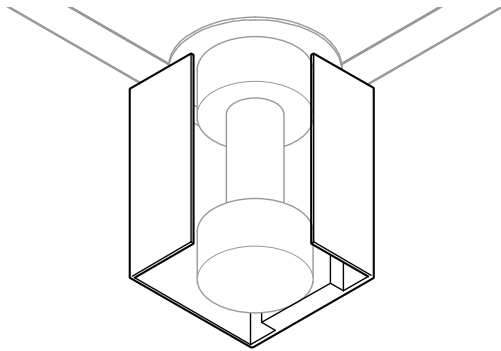
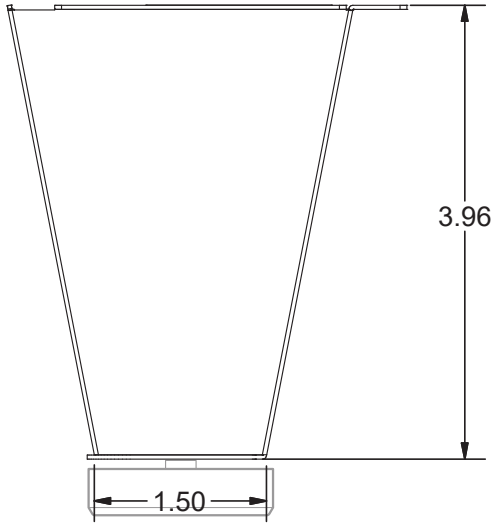
Modification of Standard Legs

In the event that the cabinet needs to sit below our standard minimum leg height, the standard legs can be modified. This modification will allow the legs to be at a reduced height, but still afford the ability for adjustment, ensuring correct leveling of cabinets.

Refer to the Cabinet Installation Instructions for complete information.

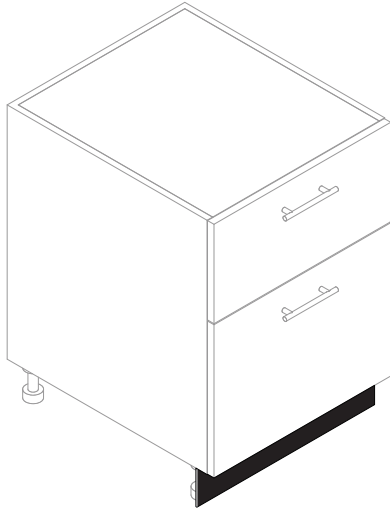


Cabinet Accessories - Stainless Legs: SSLEGS, Wall Leg Kit

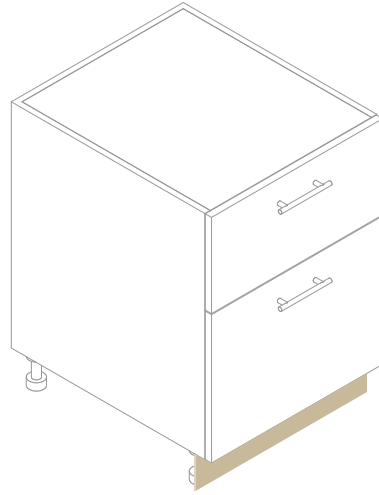


Product Description	
<p>SSLEG options: A wide range of Stainless Steel leg covers are available. ADA compliant leg and wall cabinet leg modifier kits are also available. Stainless legs can be powder coated to match cabinetry.</p>	
SKU	Description
SSLEG	<p>Exposed 4.5" high stainless steel tapered leg. Number required based on cabinet sizes, either 4, 6, or 8 (54" and above). REPLACES LEGS. NOTE: Cannot be used for ORP/OBX units smaller than 3.88"W</p>
SSLEG COVER	<p>Square stainless cover for standard legs where no toe kick preferred. NOTE: Cannot be used for ORP/OBX units smaller than 3.88"W</p>
SSLEG COVER ADJ	<p>Adjustable square stainless steel leg cover: 3" minimum - 5.62" maximum height. NOTE: Cannot be used for ORP/OBX units smaller than 3.88"W</p>
SSLEG COVER DOUBLE	<p>Square stainless cover to cover 2 standard legs</p>
ADA SSLEG	<p>Exposed 2" high stainless steel tapered leg for ADA compliant cabinet. Number required based on cabinet sizes, either 4, 6, or 8 (54" and above). REPLACES STANDARD LEGS. NOTE: Cannot be used for ORP or OBX units smaller than 3.88"W</p>
WALL LEG KIT	<p>Set of 4 legs and receivers to allow wall cabinet to act as base.</p>
WALL LEG KIT ADA	<p>Set of 4 stainless steel ADA height legs to allow wall cabinet to act as base.</p>

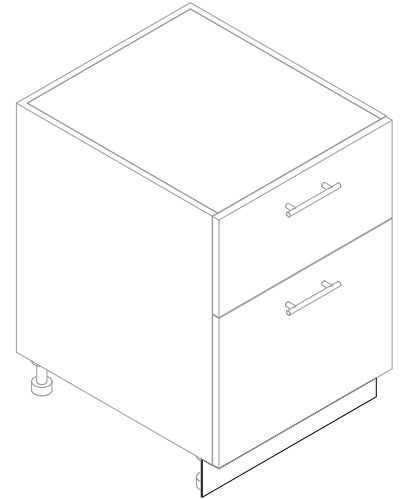
Cabinet Accessories - Toe Kick: OTK



Black Toe Kick



Stainless Steel Toe Kick



Painted Aluminum Toe Kick

Product Description				
Toe Kick: .090" thick Aluminum toe kick is available plain to match stainless or can be powder coated to match cabinetry.				
NOTE: SHIPPED SEPARATELY VIA FEDEX/UPS GROUND, NOT WITH FREIGHT SHIPMENT!				
Finish	84" Length of Toe Kick	Splice for Connecting Straight Run	45 degree Corner Splice	90 Degree Corner Splice
2" H Black Finish	OTK2	OTK2 SPLICE	OTK2 CORNER 45	OTK2 CORNER 90
2: H Aluminum Finish	OTK2-AL	OTK2-AL SPLICE	OTK2-AL CORNER 45	OTK2-AL CORNER 90
2" H Powder Coated Finish	OTK2-AL PAINTED	OTK2-AL SPLICE PAINTED	OTK2-AL CORNER 45 PAINTED	OTK2-AL CORNER 90 PAINTED
4.38" H Black Finish	OTK4	OTK4 SPLICE	OTK4 CORNER 45	OTK4 CORNER 90
4.38" H Aluminum Finish	OTK4-AL	OTK4-AL SPLICE	OTK4-AL CORNER 45	OTK4-AL CORNER 90
4.38" H Powder Coated Finish	OTK4-AL PAINTED	OTK4-AL SPLICE PAINTED	OTK4-AL CORNER 45 PAINTED	OTK4-AL CORNER 90 PAINTED
6" H Black Finish	OTK6	OTK6 SPLICE	OTK6 CORNER 45	OTK6 CORNER 90
6" H Aluminum Finish	OTK6-AL	OTK6-AL SPLICE	OTK6-AL CORNER 45	OTK6-AL CORNER 90
6" H Powder Coated Finish	OTK6-AL PAINTED	OTK6-AL SPLICE PAINTED	OTK6-AL CORNER 45 PAINTED	OTK6-AL CORNER 90 PAINTED

Elements by Tecno™

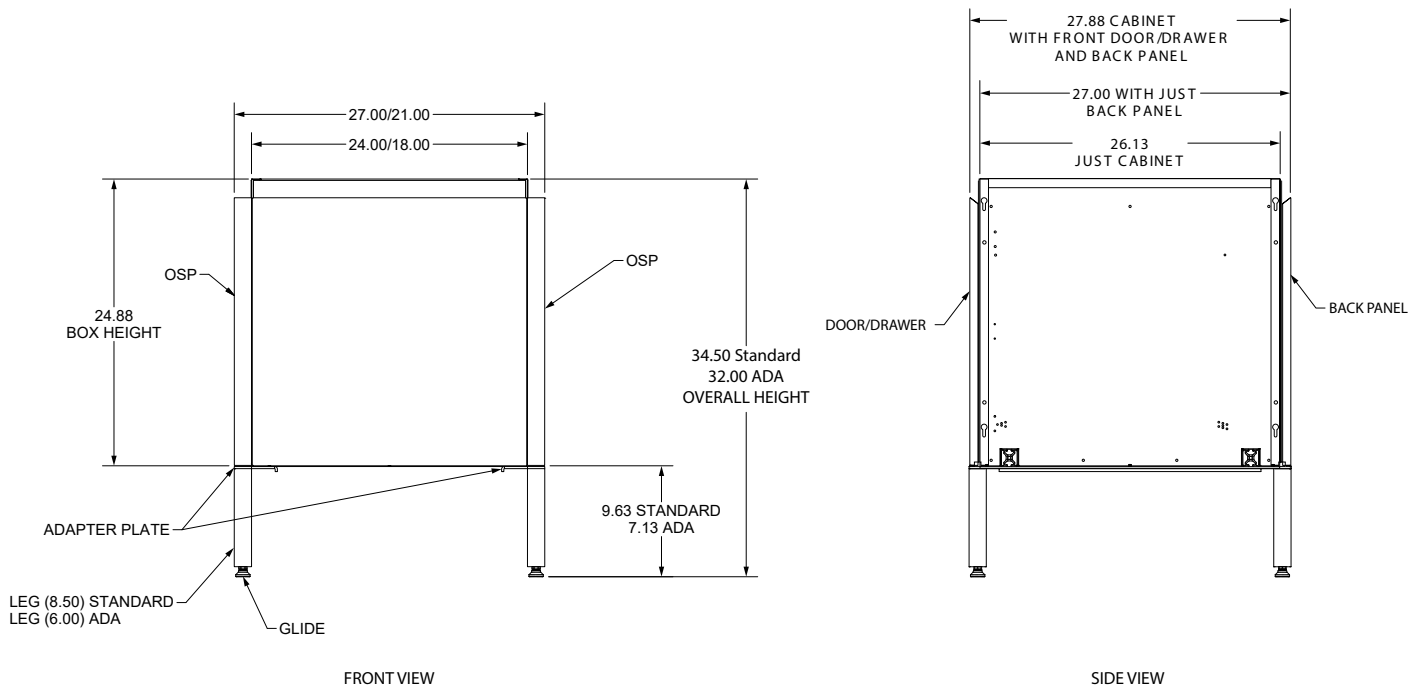
All Elements by Tecno Base cabinets and accessories use specific nomenclature designed to help you find the specific type needed.

All Elements cabinet and accessories are designated with the prefix ELEM.

Specify right or left hinge on doors where needed.

Base Cabinet part number nomenclature; example:						
ELEM OBF1801-RH: 18" Full Height Door Cabinet						
ELEM	OB	F	18	0	1	RH
Prefix	Base	Style	Width	Drawers	Doors	Hinge

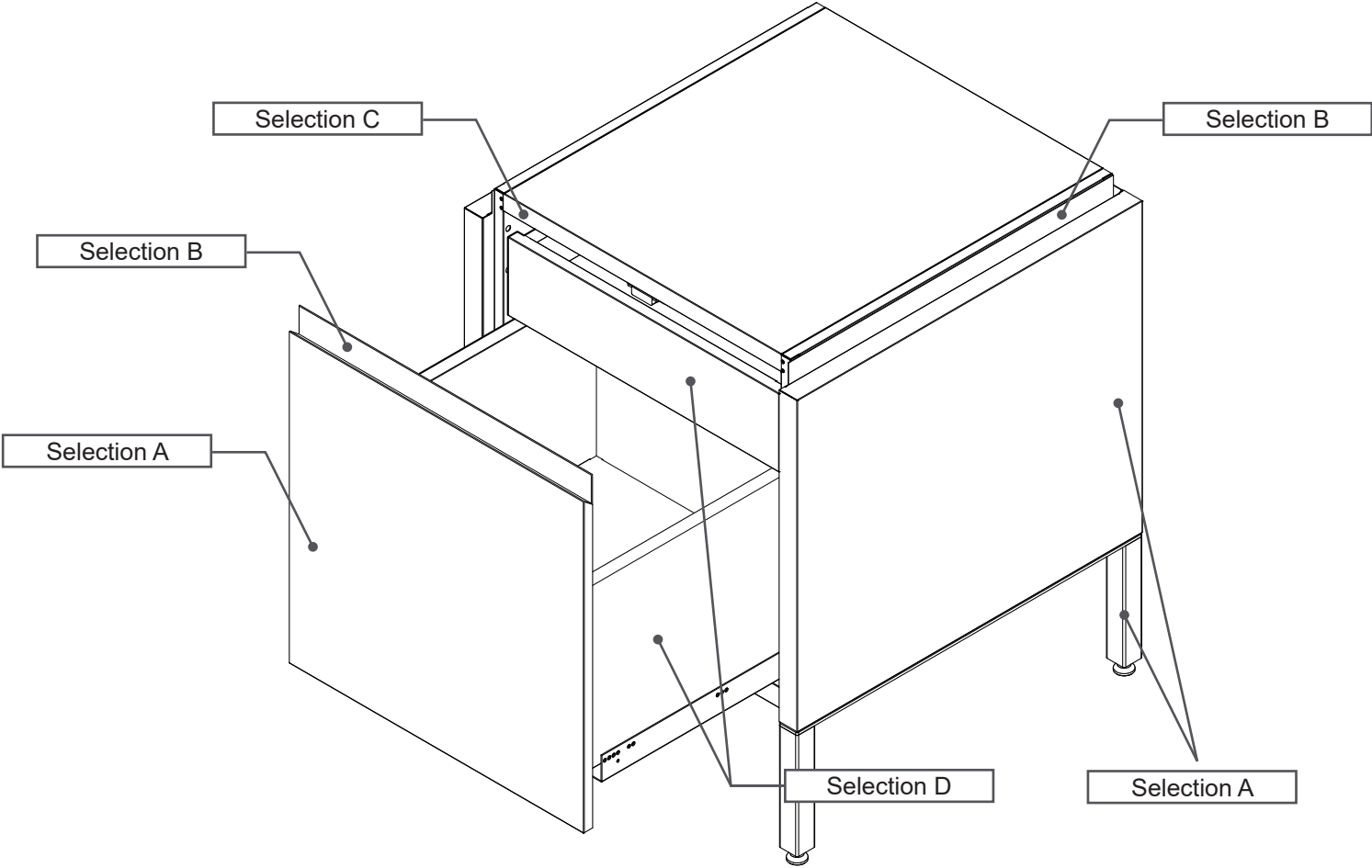
Designates Elements products	Category *	Base Style **	Base Width in inches	Number of Drawers	Number of Doors	Left or Right Hand



Elements by Tecno™ - Powder Coat Guide

BROWN JORDAN®
OUTDOOR
KITCHENS™

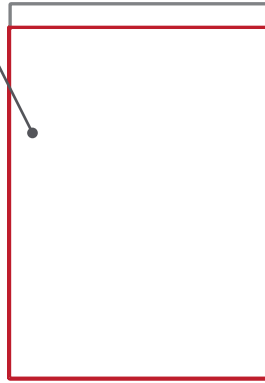
Use this helpful guide for picking the powder coat color options when ordering Elements cabinets.



BROWN JORDAN is a registered trademark of Brown Jordan International, Inc. and is used under license to CT Acquisitions, LLC.

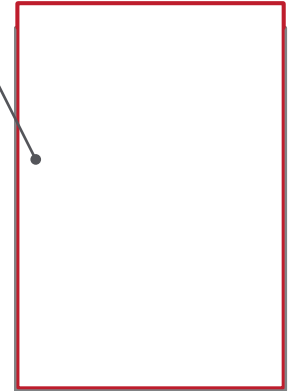
Elements by Tecno™ - Powder Coat Guide

POWDER COAT -
Determines the Powder Coat Finish on Elements Door Panels, Side Panels and Back Panels



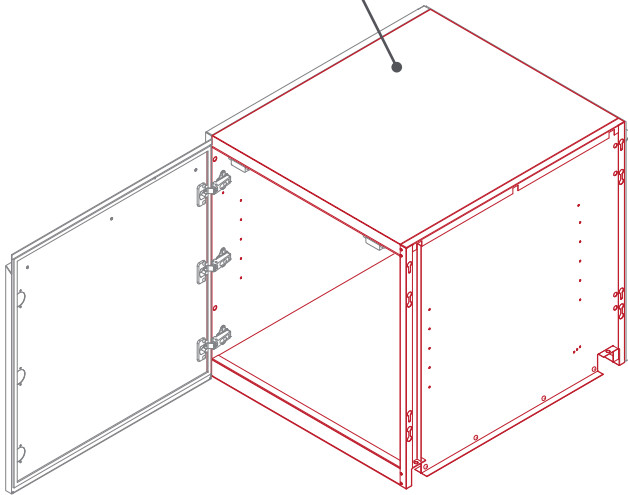
Selection A
Elements Door Front Powder Coat

DOOR BACK -
Determines the Powder Coat Finish on Elements Rear Door Panels/Top Front Reveal of doors, cabinet Side Panels and Back Panels



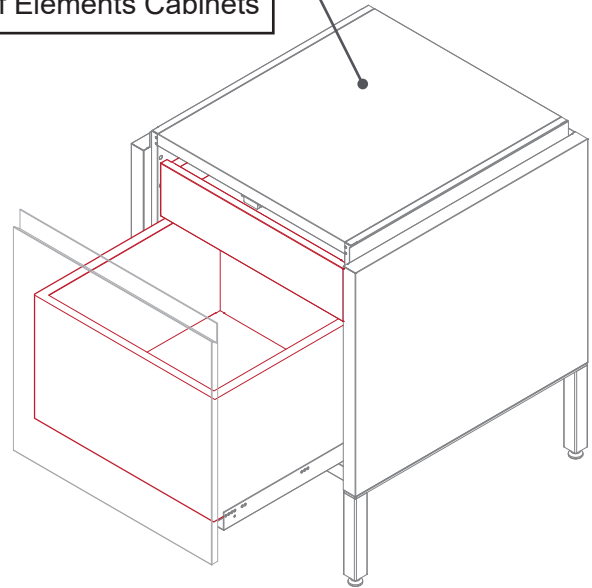
Selection B
Elements Door Rear Powder Coat

CABINET INTERIOR -
Determines the Powder Coat Finish for The Interior and Frame of Elements Cabinets



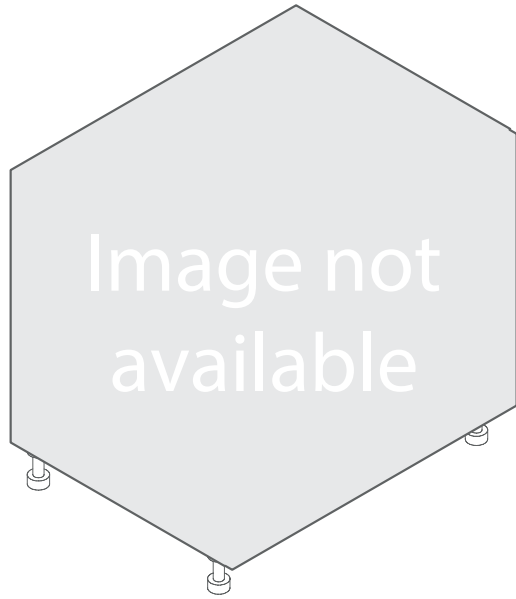
Selection C
Elements Cabinet Interior

DRAWER INTERIOR -
Determines the Powder Coat Finish for the Interior drawer face and box of Elements Cabinets

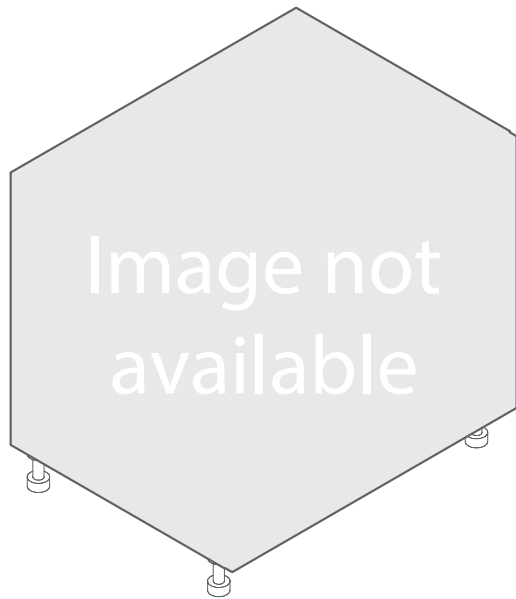


Selection D
Elements Drawer Interior

Elements by Tecno™ - Side Burner Base

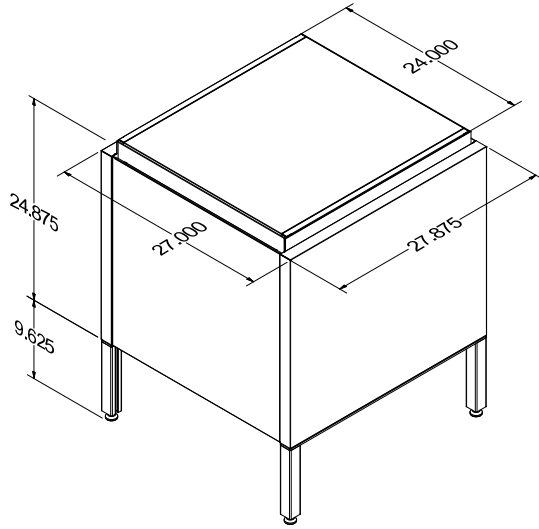


Product Description
ELEM OBB: ELEMENTS - Side Burner Base, 27.88"D consisting of front, cabinet box, and included back panel. 1 Drawer. 24.88"H cabinet box, 34.5"H standard total height, 32.00"H ADA height.
SKU
ELEM OBB1510
ELEM OBB1810
ELEM OBB2410



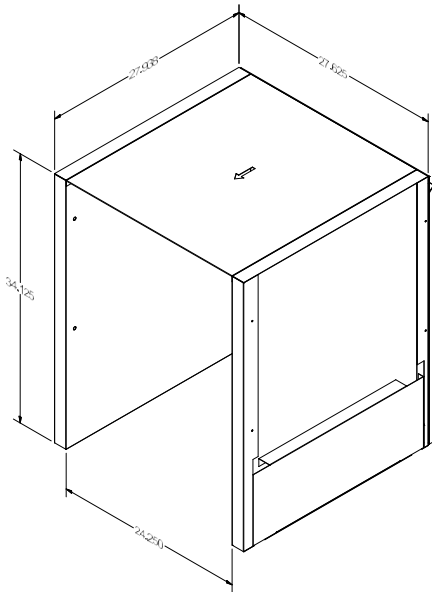
Product Description
ELEM OBB: ELEMENTS - 30"W Base, 27.88"D consisting of front, cabinet box, and included back panel. 2 Drawers. 24.88"H cabinet box, 34.5"H standard total height, 32.00"H ADA height.
SKU
ELEM OBB3020

Elements by Tecno™ - Full-Height Door, Garage



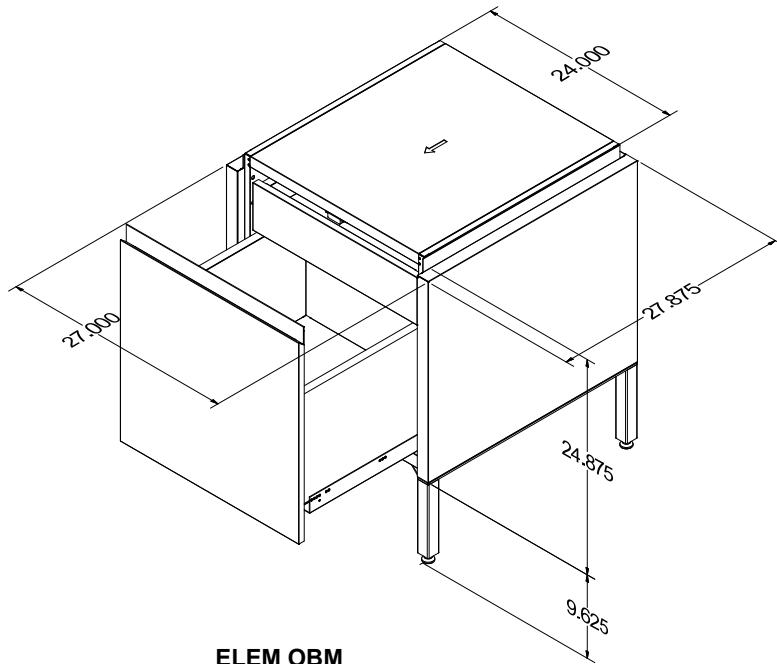
ELEM OBF

Product Description
ELEM OBF: ELEMENTS - Full-Height Door Base, 27.88"D consisting of front, cabinet box, and included back panel. 1 Full-Height Door. Includes adjustable half depth shelf. 24.88"H cabinet box, 34.5"H standard total height, 32.00"H ADA height.
SKU
ELEM OBF1501-LH
ELEM OBF1501-RH
ELEM OBF1801-LH
ELEM OBF1801-RH
ELEM OBF2401-LH
ELEM OBF2401-RH
ELEM OBF3002
ELEM OBF3602



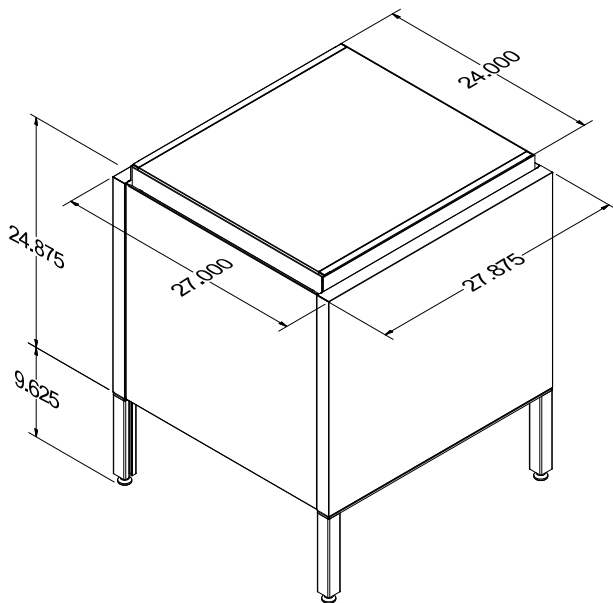
Product Description
ELEM OBG: ELEMENTS – 18.375"W **with 15"W opening**, 27.88"D. Undercounter Refrigeration Garage/Storage Area for placement in the middle of a run: Consists of three 34.5"H panels with small leveling feet: left side panel with cutouts for frame, right side panel with cutouts for frame, and a back panel that matches other Elements cabinets.
SKU
ELEM OBG1500
ELEM OBG1500 ADA
ELEM OBG2400
ELEM OBG2400 ADA

Elements by Tecno™ - Multi-Drawer, Pass-Through



ELEM OBM

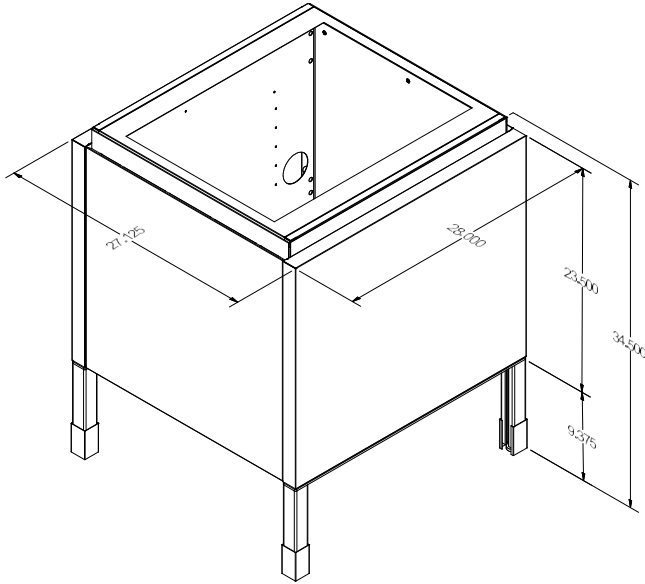
Product Description
ELEM OBM: Multi-Drawer Cabinet Base, 27.88"D consisting of fronts, cabinet box, and included back panel. 2 Drawers: 1 Full-Height Drawer Front attached to bottom drawer, 1 Nested Drawer inside located at top. 24.88"H cabinet box, 34.5"H standard total height.
SKU
ELEM OBM1520
ELEM OBM1820
ELEM OBM2420
ELEM OBM3020
ELEM OBM3620



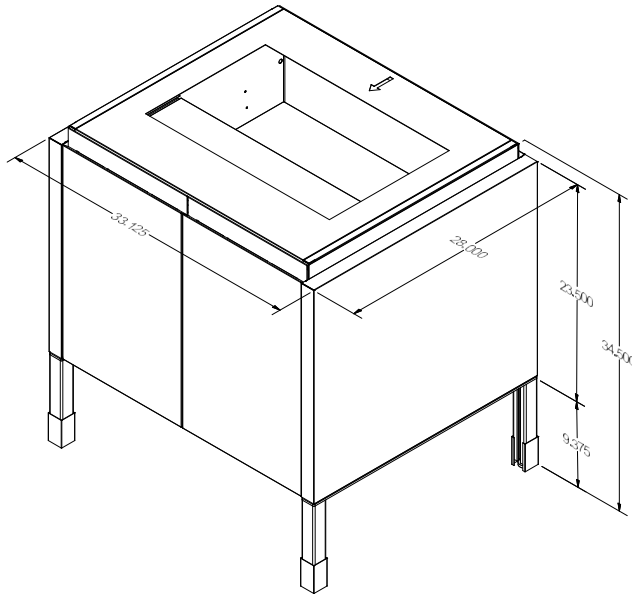
ELEM OBPT

Product Description
ELEM OBPT: ELEMENTSPass-Through Base, 27.88"D consisting of fronts and cabinet box. 2 Full Height Doors (one in front, one in back), Front Door Left-Hinged, Back Door Left-Hinged. Includes fixed half-depth shelf. 24.88"H cabinet box, 34.5"H standard total height, 32.00"H ADA height.
SKU
ELEM OBPT1802-LH-LH
ELEM OBPT1802-LH-RH
ELEM OBPT1802-RH-RH
ELEM OBPT1802-RH-LH
ELEM OBPT2402-LH-LH
ELEM OBPT2402-LH-RH
ELEM OBPT2402-RH-RH
ELEM OBPT2402-RH-LH

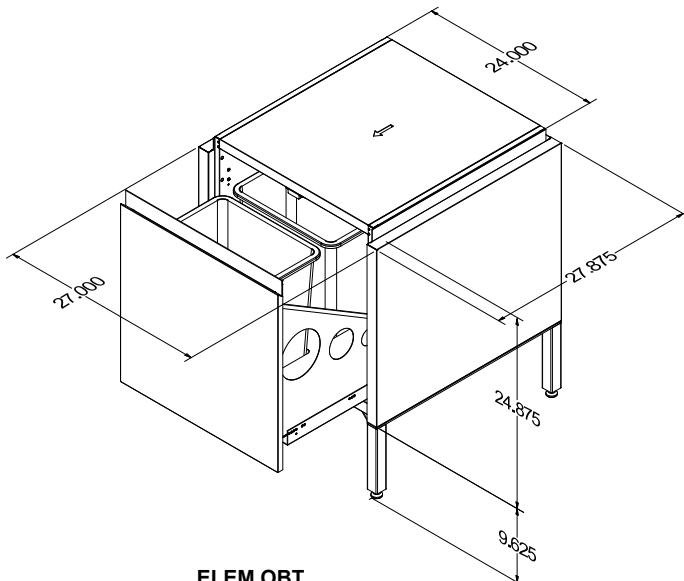
Elements by Tecno™ - Sink Base, Trash Cabinet



Product Description
ELEM OBS: ELEMENTS - Sink Base, 27.88"D consisting of front, cabinet box, and included back panel. 1 Full-Height Door. 24.88"H cabinet box, 34.5"H standard total height, 32.00"H ADA height.
SKU
ELEM OBS1501-FHD-LH
ELEM OBS1501-FHD-RH
ELEM OBS1801-FHD-LH
ELEM OBS1801-FHD-RH
ELEM OBS2401-FHD-LH
ELEM OBS2401-FHD-RH
ELEM OBS3002-FHD



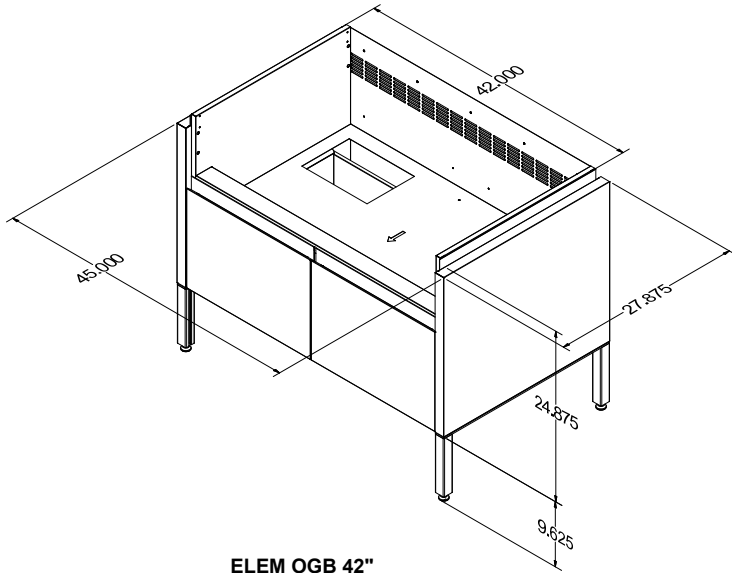
Product Description
ELEM OBS: ELEMENTS - Sink Base, 27.88"D consisting of front, cabinet box, and included back panel. 2 Full-Height Doors. 24.88"H cabinet box, 34.5"H standard total height, 32.00"H ADA height.
SKU
ELEM OBS3602-FHD



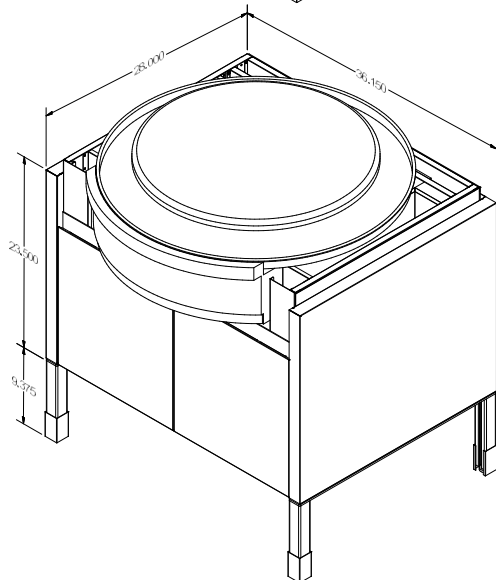
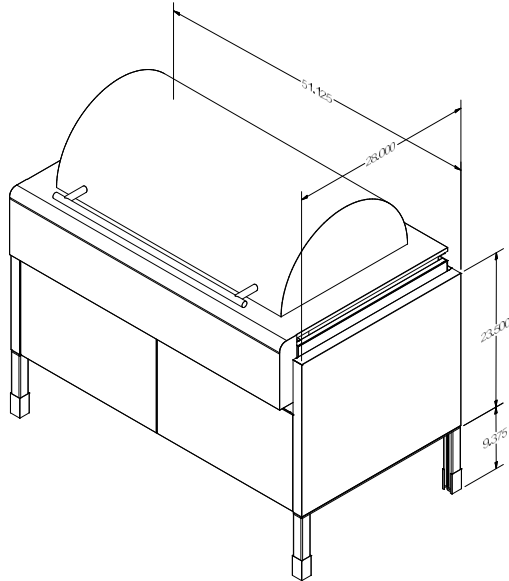
ELEM OBT

Product Description
ELEM OBT: ELEMENTS - 15"W Base, 27.88"D consisting of front, cabinet box, and included back panel. Trash Cabinet, 1 Full-Height Door attached to Trash Pull mechanism. 24.88"H cabinet box, 34.5"H standard total height, 32.00"H ADA height.
SKU
ELEM OBT1500
ELEM OBT1800
ELEM OBT2400

Elements by Tecno™ - Grill Cabinets



ELEM OGB 42"

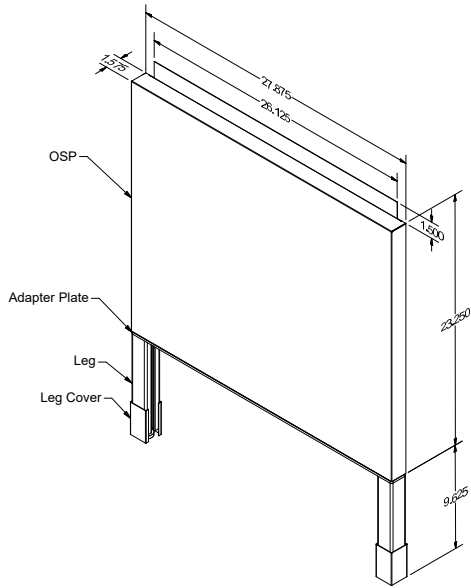


Product Description
ELEM OGB: ELEMENTS - Grill Base, 27.88"D consisting of front, cabinet box, and included back panel. 2 Drawers, 11.50" from top of cabinet to Grill Shelf. 24.88"H cabinet box, 34.5"H standard total height, 32.00"H ADA height.
SKU
ELEM OGB4220
ELEM OGB4820

Product Description
ELEM OGB: ELEMENTS - 42"W Grill Base, 27.88"D consisting of front, cabinet box, and included back panel. 2 Drawers, *FOR 42"W CALIBER ROCKWELL GRILL ONLY* *this cabinet cannot be used on the end of a run, please call sales rep to discuss* 24.88"H cabinet box, 34.5"H standard total height, 32.00"H ADA height.
SKU
ELEM OGB4220-CALIBER ROCKWELL
ELEM OGB4820-CALIBER ROCKWELL

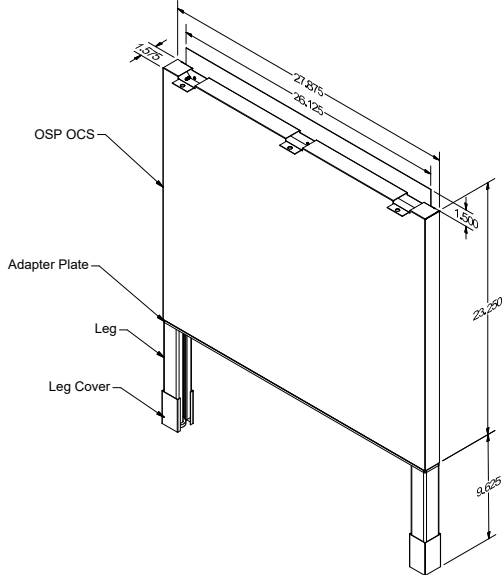
Product Description
ELEM OGB3320 - 33"W Grill Base **FOR EVO GRILL ONLY**, 27.88"D consisting of front, cabinet box, and included back panel. 2 Drawers, 11.50" from top of cabinet to Grill Shelf. 24.88"H cabinet box, 34.5"H standard total height, 32.00"H ADA height. ***Countertop height MUST be 1.25"/3 cm+!***
SKU
ELEM OGB3320

Elements by Tecno™ - Side Panels: ELEM OSP L-R



ELEM OSP L-R

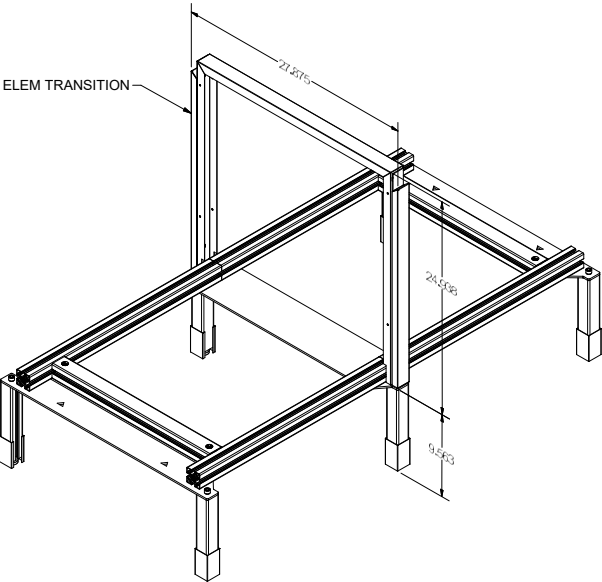
Product Description
ELEM OSP: installs on Elements OBF, OBM, OGB, OBT, OBS, and OBR cabinets*, includes set of 2 legs and adapter plate, 3" leg covers included to cover glides if desired, **legs/leg covers will be same color as cabinet fronts unless otherwise specified**. Interchangeable on either end of run.
SKU
ELEM OSP L-R



ELEM OSP L-R OCS

Product Description
ELEM OSP OCS: installs on Elements OBF, OBM, OGB, OBT, OBS, and OBR cabinets WITH CUTOUTS FOR EXTRUSIONS. Includes set of 2 legs and adapter plate, 3" leg covers included to cover glides if desired, **legs/leg covers will be same color as cabinet fronts unless otherwise specified**. Interchangeable on either end of run.
SKU
ELEM OSP L-R OCS

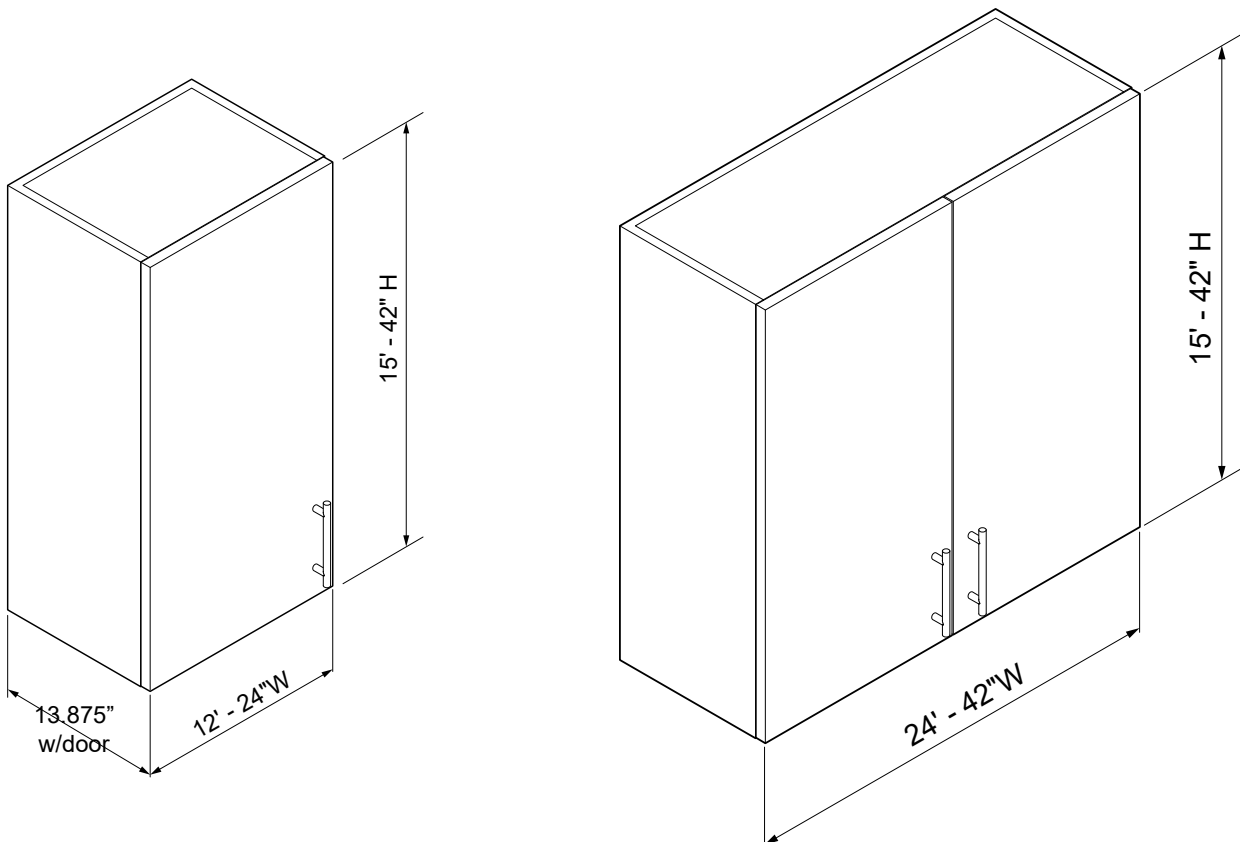
Elements by Tecno™ - Transition



SKU	Description
ELEM TRANSITION	1.5625" Thick with matching reveal, includes 2 legs and adapter plate, used for connecting two runs of Elements cabinets (segments of cabinet runs cannot be more than 72"W), *legs/leg covers will be same color as cabinets unless otherwise specified*, 3" leg covers included to cover glides if desired

Wall Cabinets - WSxxxx

- Available in 3" increments from 12" to 48" wide.
- Standard heights range from 15" to 42".
- Cabinet depth is 13" (13.88" including door).
- Two doors are furnished with cabinets from 24" to 48" in width.
- Includes 1-3 shelves depending on the height of the cabinets.
- Every wall cabinet comes with:
 - top and bottom finished panels
 - standard stainless bar pulls
- The wall cabinet line includes diagonal corner and blind corner wall cabinet options.
- Finished side panels are optional and are available in two configurations:
 - Flush to the cabinet side (WFE) or .75" thick panel flush to the face of the door (WSP). Doors may be ordered in different styles or open for glass (OFG).
 - Wall cabinetry may also be fitted with standard or stainless legs and used as shallow depth base cabinets (accessory part name: WALL LEG KIT).



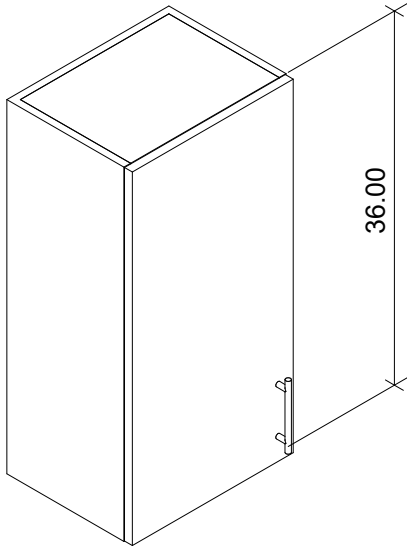
Wall Cabinet Nomenclature

- All Danver Base cabinets use specific nomenclature designed to help you find the specific type needed.
- Standard wall cabinet depth is 13".
- Specify "-24" after the part number for 24" depth cabinets. Example: **WS2421-24**.

Single Door Wall Cabinet part number nomenclature; example:			
WS1821-RH: 18" Single Door Cabinet			
WS	18	21	RH
Style	Width	Height	Hinge
 Style	 Cabinet Width in inches	 Cabinet Height in inches	 Left or Right Hand

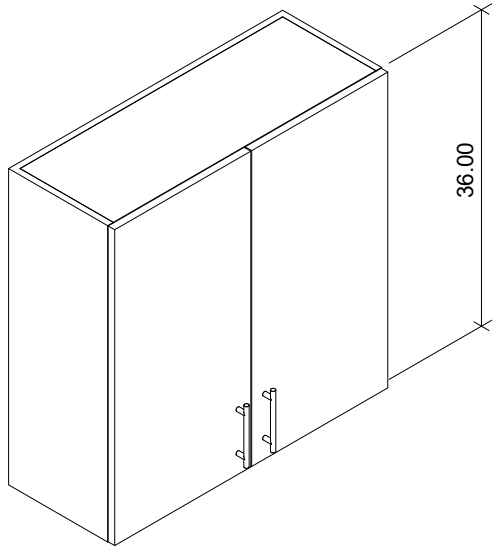
Double Door Wall Cabinet part number nomenclature; example:		
WS3636: 36" Double Door Cabinet		
WS	36	36
Style	Width	Height
 Style	 Cabinet Width in inches	 Cabinet Height in inches

Wall Cabinets - Single door



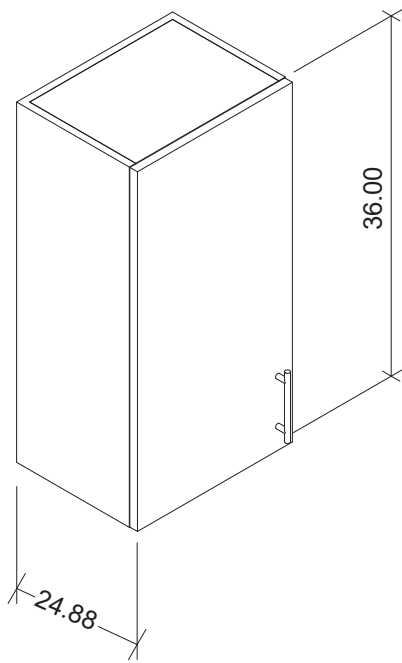
Product Description	
WS: Single Door Wall Cabinets	
15" Height SKU	18" Height SKU
WS1215-LH	WS1218-LH
WS1215-RH	WS1218-RH
WS1515-LH	WS1518-LH
WS1515-RH	WS1518-RH
WS1815-LH	WS1818-LH
WS1815-RH	WS1818-RH
WS2115-LH	WS2118-LH
WS2115-RH	WS2118-RH
21" Height SKU	24" Height SKU
WS1221-LH	WS1224-LH
WS1221-RH	WS1224-RH
WS1521-LH	WS1524-LH
WS1521-RH	WS1524-RH
WS1821-LH	WS1824-LH
WS1821-RH	WS1824-RH
WS2121-LH	WS2124-LH
WS2121-RH	WS2124-RH
30" Height SKU	36" Height SKU
WS1230-LH	WS1236-LH
WS1230-RH	WS1236-RH
WS1530-LH	WS1536-LH
WS1530-RH	WS1536-RH
WS1830-LH	WS1830-LH
WS1830-RH	WS1830-RH
WS2130-LH	WS2136-LH
WS2130-RH	WS2136-RH
39" Height SKU	42" Height SKU
WS1239-LH	WS1242-LH
WS1239-RH	WS1242-RH
WS1539-LH	WS1542-LH
WS1539-RH	WS1542-RH
WS1839-LH	WS1842-LH
WS1839-RH	WS1842-RH
WS2139-LH	WS2142-LH
WS2139-RH	WS2142-RH
WS2439-LH	WS2442-LH
WS2439-RH	WS2442-RH

Wall Cabinets - Double door



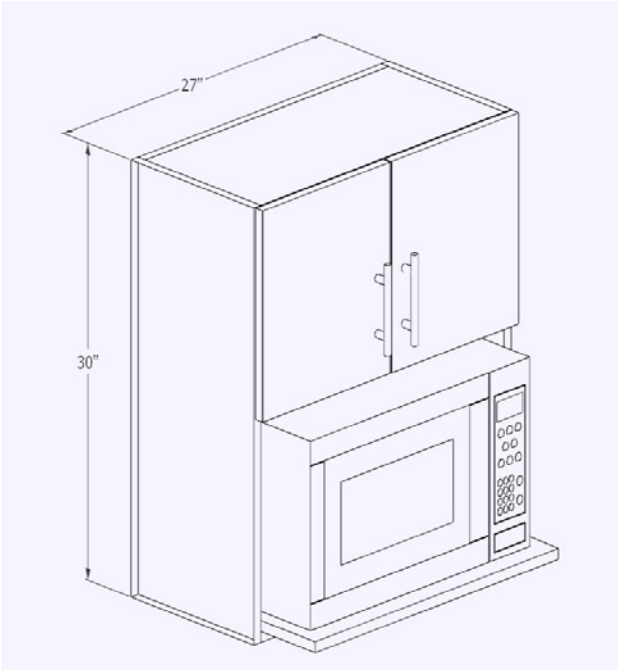
Product Description	
WS: Double Door Wall Cabinets	
12" Height SKU	
WS3612	
15" Height SKU	18" Height SKU
WS2415	WS2418
WS2715	WS2718
WS3015	WS3018
WS3315	WS3318
WS3615	WS3618
WS3915	WS3918
WS4215	WS4218
21" Height SKU	24" Height SKU
WS2421	WS2424
WS2721	WS2724
WS3021	WS3024
WS3321	WS3324
WS3621	WS3624
WS3921	WS3924
WS4221	WS4224
30" Height SKU	36" Height SKU
WS2430	WS2436
WS2730	WS2736
WS3030	WS3036
WS3330	WS3336
WS3630	WS3636
WS3930	WS3936
WS4230	WS4236
39" Height SKU	42" Height SKU
WS2439	WS2442
WS2739	WS2742
WS3039	WS3042
WS3339	WS3342
WS3639	WS3642
WS3939	WS3942
WS4239	WS4242
WS4539	WS4842
WS4839	N/A

Wall Cabinets - 24" Deep: WSxxxx-24



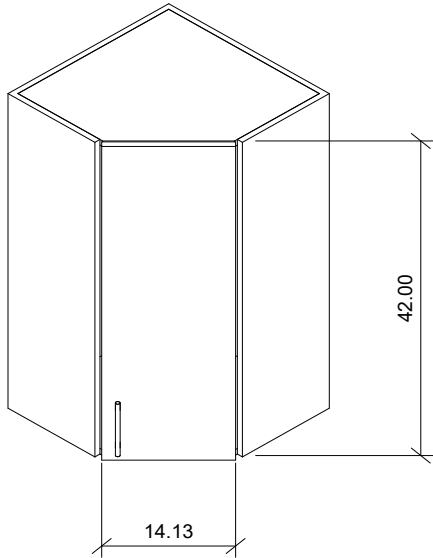
Product Description	
WS: 24" DEEP Double Door Wall Cabinets	
12" Height SKU	
WS2412-24	
WS3012-24	
WS3612-24	
15" Height SKU	18" Height SKU
WS1515-24	WS1518-24
WS3315-24	WS3318-24
WS3615-24	WS3018-24
21" Height SKU	24" Height SKU
WS2421-24	WS1224-24
WS3323-24	WS3324-24
WS3621-24	WS3524-24
30" Height SKU	36" Height SKU
WS2430-24	WS2436-24
39" Height SKU	42" Height SKU
WS3039-24	WS3042-24

Wall Cabinets - Microwave: MWCxxxx

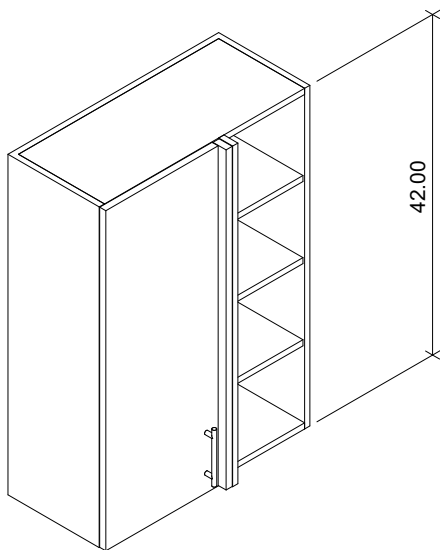


Product Description	
MWC: Microwave Wall Cabinets	
30" Height SKU	
MWC2730	
MWC3030	
MWC3042-24	
36" Height SKU	42" Height SKU
MWC3736	MWC2742
MWC3036	MWC3042

Wall Cabinets - Diagonal: DCWxx, Blind Corner: WBxxxx

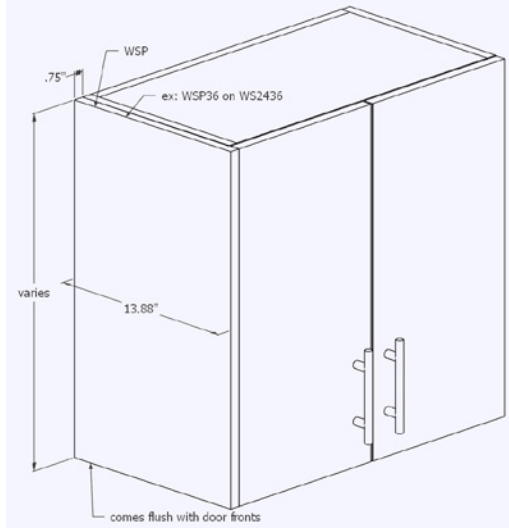


Product Description	
DCW: Diagonal Corner Wall Cabinets	
SKU	
DCW15-LH	
DCW15-RH	
DCW18-LH	
DCW18-RH	
DCW21-LH	
DCW21-RH	
DCW24-LH	
DCW24-RH	
DCW30-LH	
DCW30-RH	
DCW36-LH	
DCW36-RH	
DCW42-LH	
DCW42-RH	

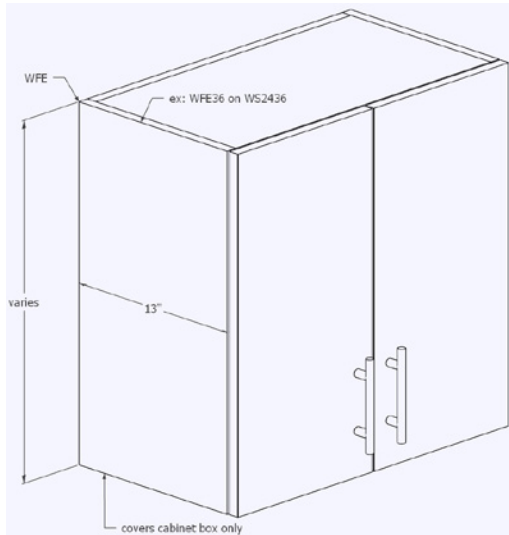


Product Description	
WB: Blind Corner Wall Cabinets	
24" Height SKU	30" Height SKU
WB2724-LH	WB2730-LH
WB2724-RH	WB2730-RH
WB3024-LH	WB3030-LH
WB3024-RH	WB3030-RH
36" Height SKU	42" Height SKU
WB2736-LH	WB2742-LH
WB2736-RH	WB2742-RH
WB3036-LH	WB3042-LH
WB3036-RH	WB3042-RH

Wall Cabinets - Side Panels, Flush End Panels: WSP/WFE

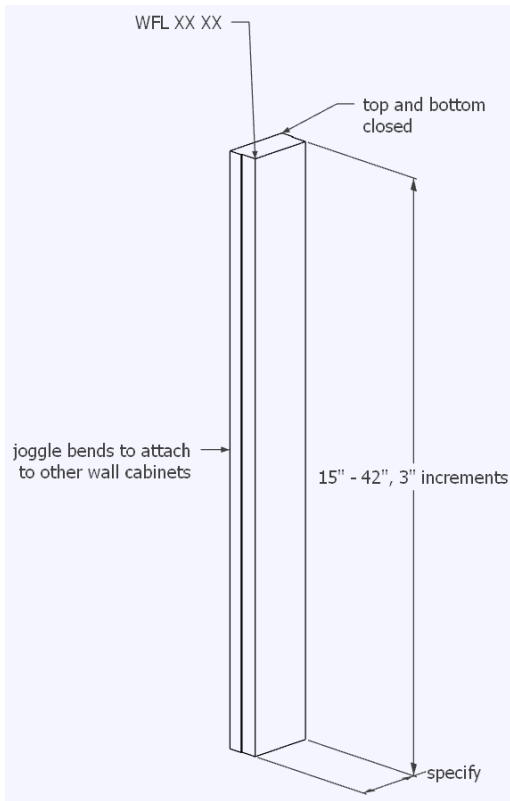


Product Description		
<p>WSP: $\frac{3}{4}$" Thick side panels for wall cabinets. XX"H, panels sit flush with door/drawer faces. Specify based on cabinet side and height.</p> <p>Example SKUs: WSP15L, WSP24R, WSP36L, WSP42R</p>		
Wall Cabinet Side Panel Nomenclature		
Example: WSP15L		
WSP	XX	X
Prefix	Height	Side
Example SKUs: WSP18L, WSP21R, WSP33L, WSP39R		

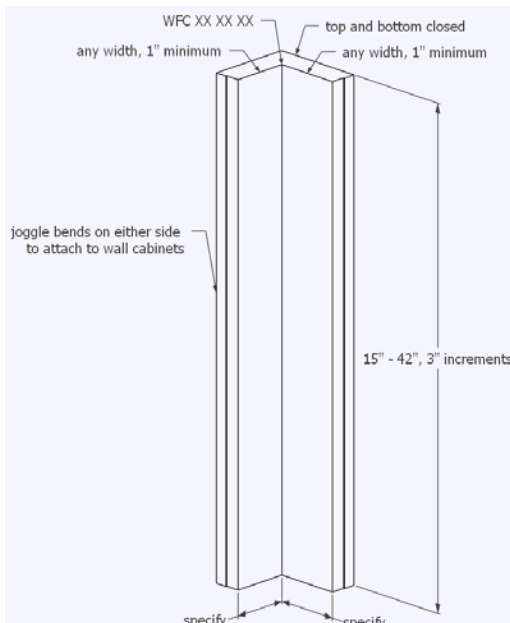


Product Description
<p>WFE: Flush side panels for wall cabinets. 13"W, panels sit flush with cabinet box. Specify based on cabinet side and height.</p> <p>Example SKUs: WFE18L, WFE21R, WFE33L, WFE39R</p>

Wall Accessories - Front Fillers, Corner Fillers: WFL/WFC

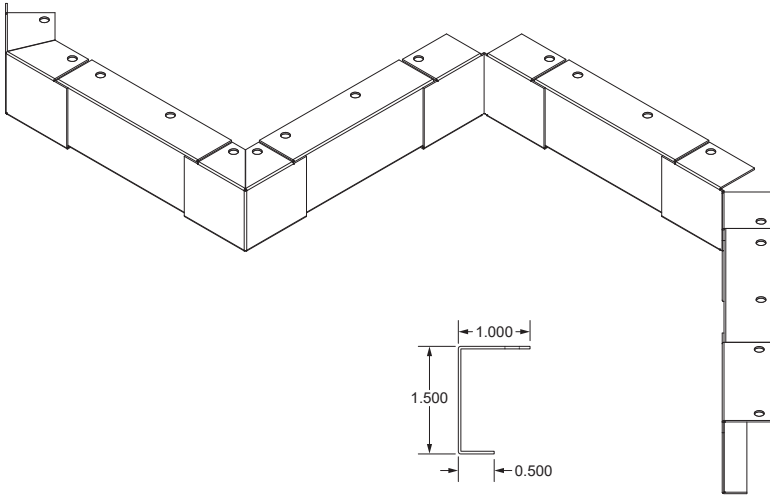


Product Description		
WFL: Wall cabinet front filler, sits flush with door faces, attaches between two wall cabinets. Use this filler when using a wall cabinet as a base cabinet with the addition of a Wall Leg Kit. 1"W minimum, available in 1/8" increments as needed.		
Wall Cabinet Front Filler Nomenclature		
Example: WFL 30 3.75		
WFL	XX	XX
Prefix	Width	Height
Example SKUs: WFE18L, WFE21R, WFE33L, WFE39R		



Product Description			
WFC: Wall cabinet front 90-degree corner filler, sits flush with door faces, attaches between two wall cabinets. 2"W overall, 1"W minimum on each side of bend, available in 1/8" increments as needed.			
Wall Cabinet Front Filler Nomenclature			
Example: WFC 24 3.63 2.00			
WFC	XX	XX	XX
Prefix	Height	Left Dim.	Right Dim.
Example SKUs: WFC 18 4.00 4.00, WFC 36 3.50 3.00			

Wall Accessories - Light Rail, PVC Cleat



Product Description		
Light Rail – Stainless light rail for wall cabinets. Comes in 84" lengths, cut onsite as needed. Can be powder coated to match cabinets.		
SKU		
Light Rail	1.5"H	3.0"H
	LR STRAIGHT 1.5	LR STRAIGHT 3.0
90-degree inside corner	LR 90 IN 1.5	LR 90 in 3.0
90-degree outside corner	LR 90 OUT 1.5	LR 90 OUT 3.0
135-degree inside corner	LR 135 IN 1.5	LR 135 IN 3.0
135-degree outside corner	LR 135 OUT 1.5	LR 135 OUT IN 3.0
Straight Splice	LR SPLICE 1.5	LR SPLICE 3.0

Product Description
PVC Cleat: Required cleat for hanging wall cabinets. Comes in 60" x 3"H lengths, cut onsite as needed.

Island Insert Cabinets - IDRxxxx-x

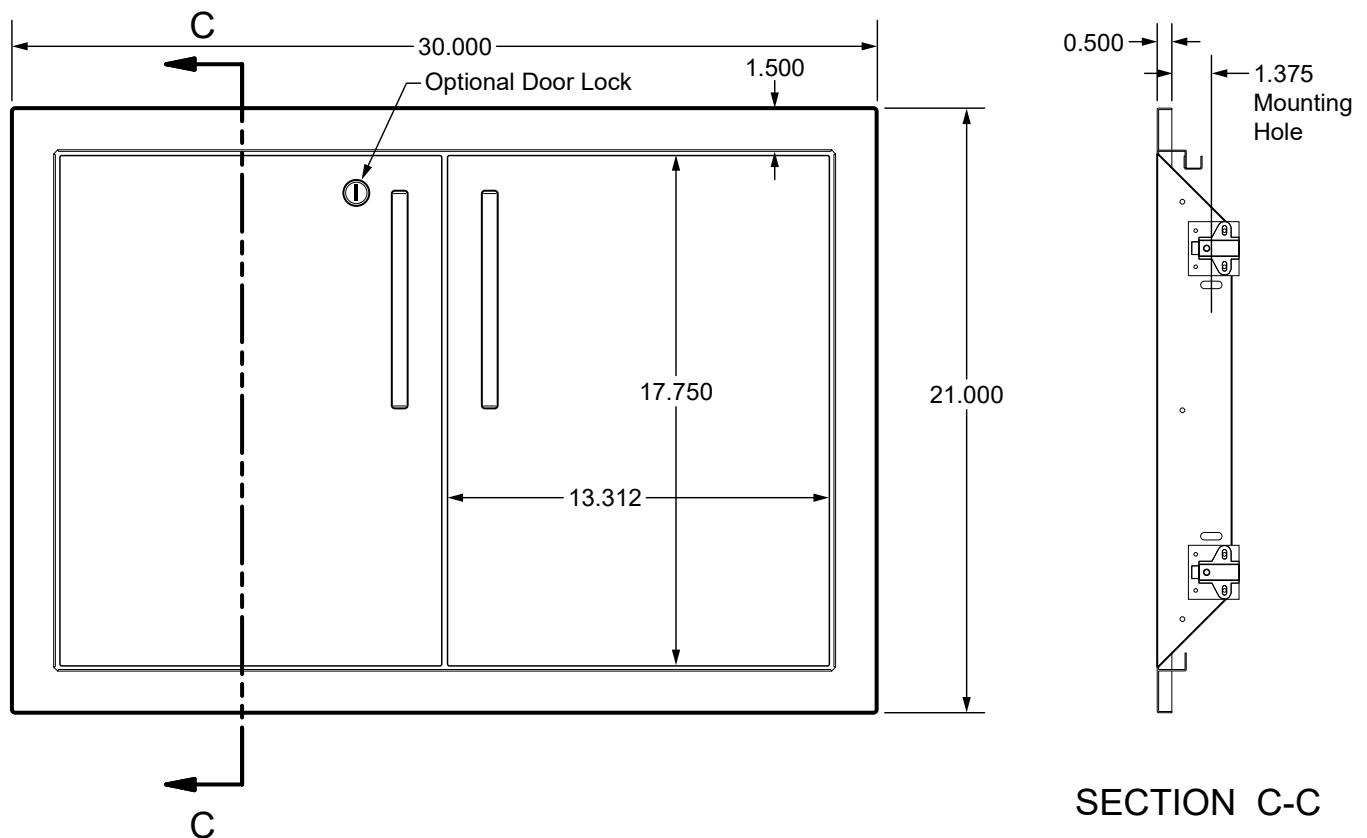
Designers and builders of masonry island kitchens are now offered a complete line of door, drawer/door, drawer combinations and pullout cabinetry to construct a totally functional kitchen. The line features the optional Clean-Stor® box that attaches to door fronts to create useful storage and organization. The Clean-Stor box eliminates the infamous “masonry black hole” that lurks behind access doors. The steel construction is superior to presently used insert materials that are subject to warping, rotting and mildew. The Clean-Stor box comes with a shelf and provides clean dry storage.

Doors exhibit the same stainless quality, “heft & weight” and solid close as the modular cabinetry line allowing additional design flexibility by using both lines to create the ideal kitchen while retaining a consistent “look”. Door and drawer faces can be upgraded to any door style and be powder coated to compliment your outdoor kitchen.

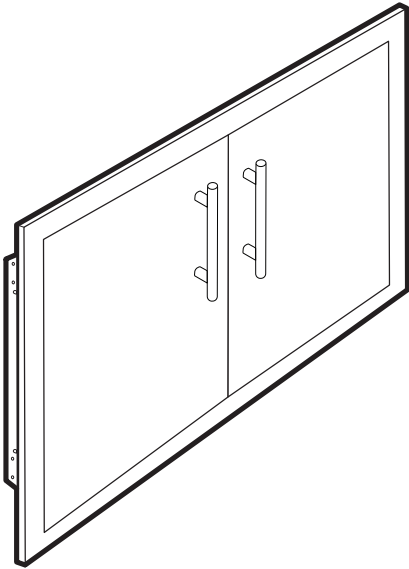
The insert line includes:

- One and Two Drawer Units
- Door and Drawer Combination Units
- One and Two Door (and frame) Units
- Paper Towel Dispenser
- Trash and Propane Pullouts

Access Door Inserts may be purchased with just the frame and doors or combined with the “Clean-Stor” box as a complete unit.

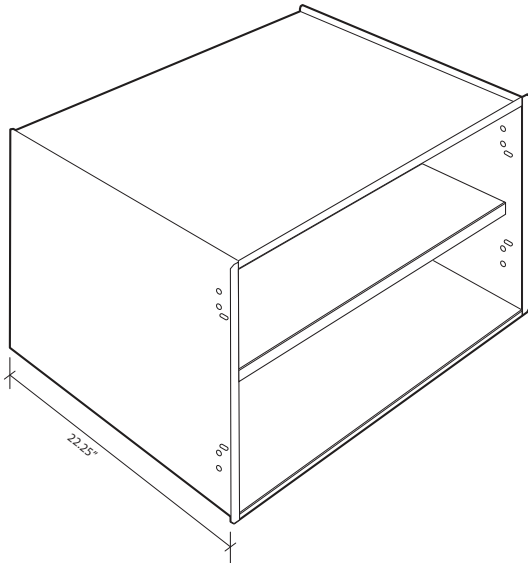


Island Insert Cabinets - Access Door



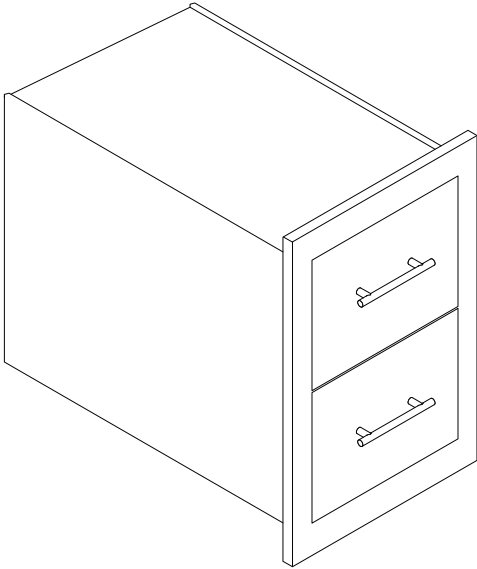
Product Description		
IDR: Access Door		
SKU		
SKU	Description	Cut Out Size
IDR1621-1	16"W x 21"H Frame, One Flush Access Door	13 ⁵ / ₈ "W x 19 ¹ / ₂ "H
IDR1725-1	17"W x 25"H Frame, One Flush Access Door	14 ⁵ / ₈ "W x 23 ¹ / ₂ "H
IDR2121-1	21"W x 21"H Frame, One Flush Access Door	18 ⁵ / ₈ "W x 19 ¹ / ₂ "H
IDR2721-2	27"W x 21"H Frame, Two Flush Access Doors	24 ⁵ / ₈ "W x 19 ¹ / ₂ "H
IDR3021-2	30"W x 21"H Frame, Two Flush Access Doors	27 ⁵ / ₈ "W x 19 ¹ / ₂ "H
IDR3025-2	30"W x 25"H Frame, Two Flush Access Doors	27 ⁵ / ₈ "W x 23 ¹ / ₂ "H
IDR3621-2	36"W x 21"H Frame, Two Flush Access Doors	33 ⁵ / ₈ "W x 19 ¹ / ₂ "H
IDR4221-2	42"W x 21"H Frame, Two Flush Access Doors	39 ⁵ / ₈ "W x 19 ¹ / ₂ "H

Island Insert Cabinets - Clean-Stor® Box with Shelf

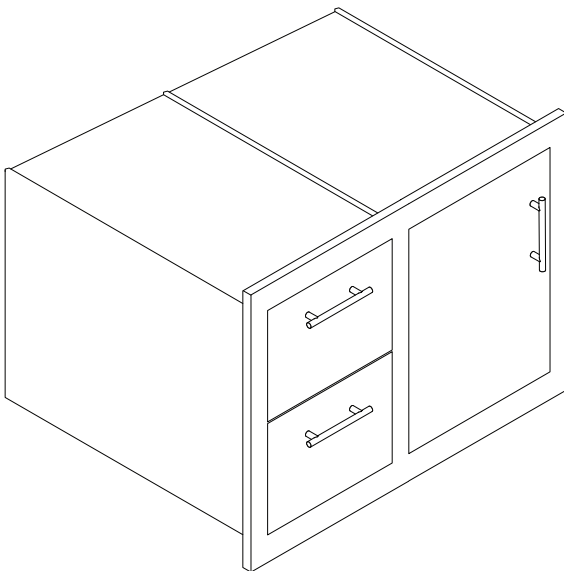


Product Description	
Galvanized Storage Box to install behind frame (order at the same time as Access Doors).	
NOTE: All Clean-Stor® boxes are 22¼" Deep	
24" Depth SKU	Description
IDR1621-B	Clean-Stor® storage box for IDR1621
IDR1725-B	Clean-Stor® storage box for IDR1725
IDR2121-B	Clean-Stor® storage box for IDR2121
IDR2721-B	Clean-Stor® storage box for IDR2721
IDR3021-B	Clean-Stor® storage box for IDR3021
IDR3025-B	Clean-Stor® storage box for IDR3025
IDR3621-B	Clean-Stor® storage box for IDR3621
IDR4221-B	Clean-Stor® storage box for IDR4221

Island Insert Cabinets - Clean-Stor® Box Drawer Sets: IDW

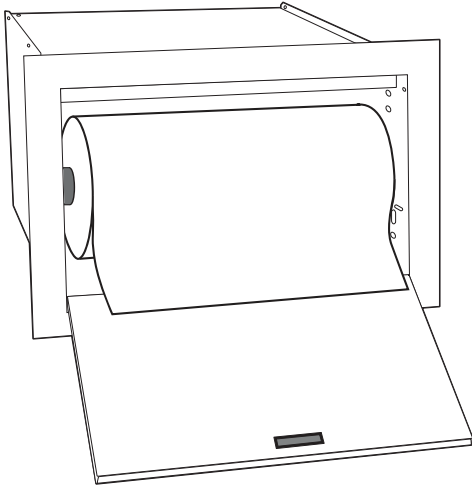


Product Description		
IDW: Drawer Sets		
SKU		
SKU	Description	Cut Out Size
IDW1621-2	16"W x 21"H Frame, Two Drawers w/box	13 ⁵ / ₈ "W x 19 ¹ / ₂ "H
IDW1630-3	16"W x 30"H Frame, Two Drawers w/box	13 ⁵ / ₈ "W x 28 ¹ / ₂ "H



Product Description		
IC: Door and Drawer Sets		
SKU		
SKU	Description	Cut Out Size
IC3021-21	30"W x 21"H Frame, Two Drawers, One door, 2 Separate boxes. Specify drawers on left or right of door.	27 ⁵ / ₈ "W x 19 ¹ / ₂ "H

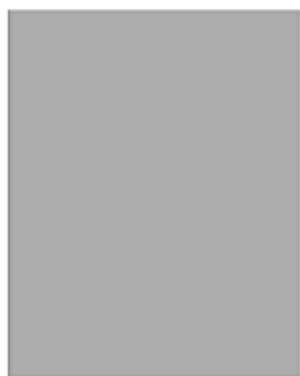
Island Insert Cabinets - Accessories



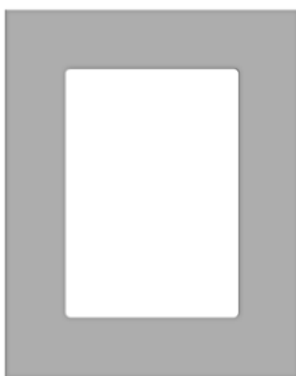
Product Description		
Insert: Accessories		
SKU		
SKU	Description	Cut Out Size
ITR1725	Frame with Trash Pull Out	14 ⁵ / ₈ "W x 23 ¹ / ₂ "H
IPR1725	Frame with Propane Pull Out	14 ⁵ / ₈ "W x 23 ¹ / ₂ "H
IPT1711	Paper Towel Dispenser	15 ¹ / ₂ "W x 8 ⁵ / ₈ "H

Cabinet Door Styles - Danver

Stainless steel cabinetry doors and drawers provide functional strength as well as durability. Extensive color palettes, realistic wood grain powder coat finishes bring style, color, and design to what was once a drab space.



Hampton



Rio



Key West



Key West Frosted Glass



Key West Sea Glass



Venice

Cabinet Door Styles - Brown Jordan Outdoor Kitchens



BeadBoard



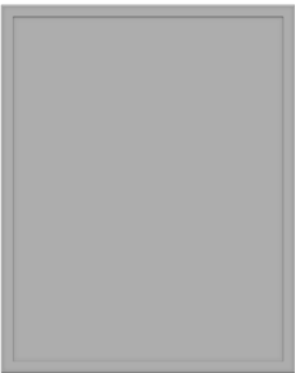
Louver



Palm Beach



Tecno

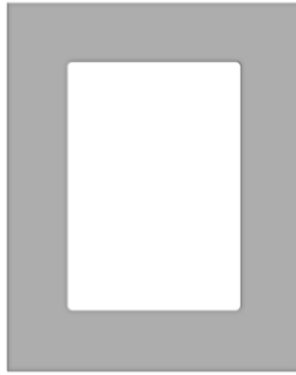


Venice

Cabinet Door Styles - Brown Jordan Outdoor Kitchens



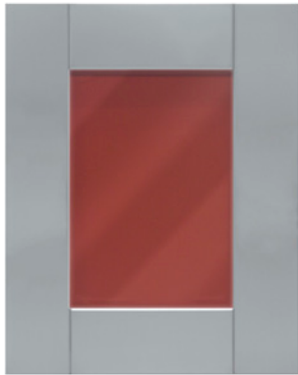
Hampton



Rio



Key West



Key West Frosted Glass



Key West Sea Glass

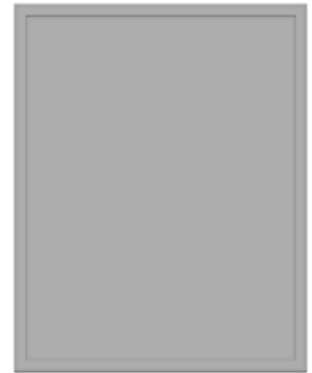
Cabinet Door Styles - Trex Outdoor Kitchens



London



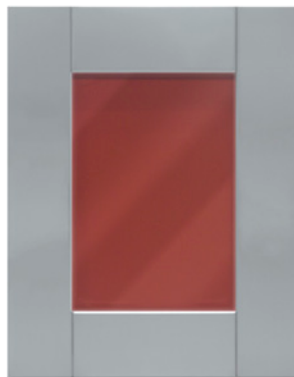
Newport



Venice



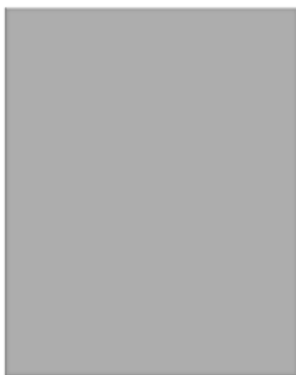
Key West



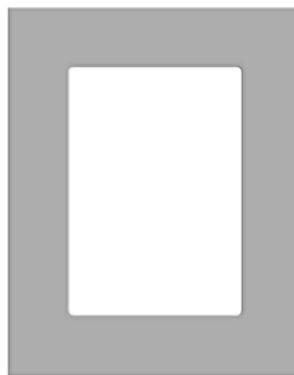
Key West Frost



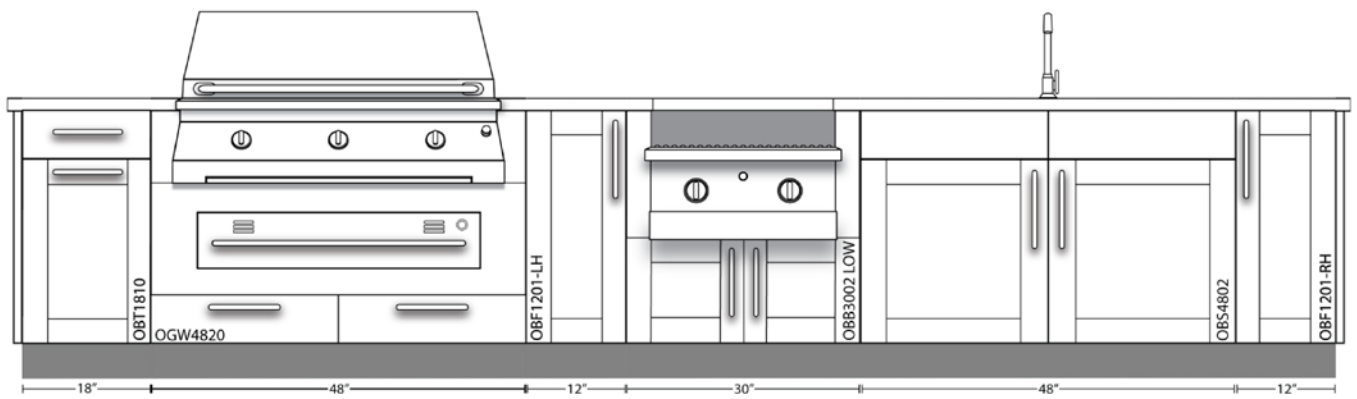
Key West Sea Glass



Hampton



Rio



1 Grand Street, Wallingford, CT 06492

Danver.com • BrownJordanOutdoorKitchens.com • Trex-OutdoorKitchens.com