

DANVER

STAINLESS  
OUTDOOR  
KITCHENS

Trex® Outdoor Kitchens™

BROWN JORDAN  
OUTDOOR  
KITCHENS™



# Specification Guide: Outdoor Cabinetry

Revision: 4-15-2024

## Table of Contents

|   |    |
|---|----|
| <b>Style and Construction</b>           | 11 |
| <b>Outdoor Cabinets: Nomenclature</b>   | 12 |
| <b>Storage Base Cabinets</b>            | 13 |
| Drawer/Door Base: OBDxx11, OBDxx12      | 14 |
| OBDxx11 INVISACOOK                      | 15 |
| Full-Height Doors: OBFxx01, OBFxx02     | 16 |
| OBFxx01-15 & -18, OBFxx02-15 & -18      | 17 |
| Full-Height Doors: OBFxx02H18           | 18 |
| Wall Depth: OBFWDxx30, OBFWDxx36        | 19 |
| Flush End Panels: OFE 13L/R             | 20 |
| Side Panels: OSP 13.88L/R, OSP 14.63L/R | 21 |
| Open Base Cabinet: OBFxx00              | 22 |
| Insert Cabinets: OBlxx10 and OBI4200    | 23 |
| Drawer Specifications and Volume        | 24 |
| Multi-Drawer: OBFxx1xN                  | 25 |
| Multi-Drawer: OBFxx2xN                  | 26 |
| Multi-Drawer: OBFxx3xN                  | 27 |
| Multi-Drawer: OBFxx1xNT                 | 28 |
| Multi-Drawer: OBMxx20                   | 29 |
| Multi-Drawer: OBMxx30 and OBMxx40       | 30 |
| Multi-Drawer Bench: OBMBHxx20 or 30     | 31 |
| Side Panels: OSP xxL/R 12H              | 32 |
| Flush End Panels: OFE xxL/R 12H         | 33 |

## Table of Contents

|                                    |    |
|------------------------------------|----|
| Back Panels: OBPxx 12H             | 34 |
| <b>Corner Base Cabinets</b>        | 35 |
| Angle End: AEBxx02                 | 35 |
| Blind Corner Base: BCBxx01         | 36 |
| Blind Corner Base: BCBxx11         | 37 |
| Diagonal Corner: DCBxx             | 38 |
| Diagonal Corner Sink Base: DCBSxx  | 39 |
| Diagonal Corner Sink Base: DCBSxx  | 40 |
| <b>Sink Base Cabinets</b>          | 41 |
| False Front: OBSxx01, OBSxx02      | 42 |
| Full-Height Door: OBSxxxx-FHD      | 43 |
| Farm Sink Bases: OBSxxxxH11-FARM   | 44 |
| Galley Sink Bases: OBSxxxx GALLEY  | 45 |
| OBSxx00 ADA                        | 46 |
| Sink Space: OBSxx00 ADA SINK SPACE | 47 |
| OBXzz xxL/R ADA SINK SPACE         | 49 |
| OBXzz xxL/R ELEC ADA SINK SPACE    | 50 |
| ORPzz xxL/R ADA SINK SPACE         | 51 |
| ORPzz xxL/R ELEC ADA SINK SPACE    | 52 |
| OFE xxL/R ADA OCS                  | 53 |
| <b>Trash Base Cabinets</b>         | 54 |
| OBTxx00, OBTxx10                   | 54 |
| OBTxx10N (nested)                  | 55 |

## Table of Contents

|  |    |
|--|----|
| Large 51 Quart Can: OBTxx00L           | 56 |
| <b>Side Burner Base Cabinets</b>       | 57 |
| OBBxxxx: 1 Door, 2 Door, 2 Drawer      | 58 |
| OBBxx01H11, OBBxx02H11, OBBxx20H11     | 59 |
| OBBxx01H12.5, OBBxx02H12.5             | 60 |
| 15.5”H Shelf: OBBxx01 LOW, OBBxx02 LOW | 61 |
| <b>Bartending Center Base</b>          | 62 |
| OBCxx01, OBCxx02                       | 63 |
| OBCxx01H11, OBCxx02H11                 | 64 |
| OBCxx01H12.5, OBBxx02H12.5             | 65 |
| <b>Warming Drawer Bases</b>            | 66 |
| OBWxx02 H12, OBWxx10 H12               | 66 |
| OBWxx10 H21: 1 Drawer                  | 67 |
| OBWxx10 H17.38                         | 68 |
| OBWxx02 H14.13, OBWxx10 H14.13         | 69 |
| <b>Double Warming Drawer Bases</b>     | 70 |
| ODWxx00 H14                            | 70 |
| <b>Egg Base Cabinets</b>               | 71 |
| OEBxx02 H16.5, OEBxx02 H12.5           | 71 |
| OEBxx02-35 H16.5 or 12.5 (Extra Large) | 72 |
| Diagonal Corner: DCBExx H16.5 or H12.5 | 73 |
| <b>Grill Cabinets</b>                  | 74 |
| Shelf Height & Cutout calculation      | 75 |

## Table of Contents

|   |     |
|---|-----|
| Doors: OGBxx02, OGBxx03                   | 76  |
| Drawers/Doors: OGBxx21, OGBxx22, OGBxx41  | 77  |
| Full-Height Drawers: OGBxx20, OGBxx30     | 78  |
| Drawers: OGBxx40, OGBxx60                 | 79  |
| EVO: OGBxxxx-EVO                          | 80  |
| OGBxx02H11, OGBxx03H11                    | 83  |
| OGBxx40H11, OGBxx60H11                    | 84  |
| OGBxx21H11, xx22H11, xx41H11              | 85  |
| OGBxx20H11, OGBxx30H11                    | 86  |
| OGBxx02H12.5, OGBxx03H12.5                | 87  |
| OGBxx21H12.5, xx22H12.5, xx41H12.5        | 90  |
| OGBxx02H15.5, OGBxx03H15.5                | 91  |
| OGBxx20H18.5, OGBxx30H18.5                | 92  |
| OGBxx20-CALIBER ROCKWELL                  | 93  |
| Gas Stop Timer: OGBxx00 GS, OGBxx00H11 GS | 94  |
| Tecno Style: OGBxx00, OGBxx00H11          | 95  |
| <b>Grill/Large Insert Cabinets</b>        | 96  |
| OGFxx00                                   | 96  |
| <b>Grill/Warming Drawer Cabinets</b>      | 97  |
| OGWxx00, OGWxx10                          | 97  |
| OGWxx20, OGWxx30                          | 98  |
| OGWxx01, xx11, xx21                       | 99  |
| OGWxx00H11, xx10H11                       | 100 |

## Table of Contents

|  |     |
|--|-----|
| OGWxx01H11, xx11H11, xx21H11             | 101 |
| OGWxx30H11                               | 102 |
| <b>Oven Base Cabinets</b>                | 103 |
| OOCxx00                                  | 103 |
| <b>Post and Panel System</b>             | 104 |
| Mid & End Support                        | 105 |
| PPS SPACERS & PANELS                     | 106 |
| PPS PANELS                               | 107 |
| PPS CABINET CONNECTOR                    | 108 |
| <b>Tall Storage Cabinets</b>             | 109 |
| TBxxzz                                   | 109 |
| Full-Height Doors: TBxx84-24-FHD         | 110 |
| TBxxzz-24: 2 doors                       | 111 |
| TBxxzz-24: 4 doors                       | 112 |
| <b>Tall Oven Cabinets</b>                | 113 |
| TTxxzz-24: 2 Doors, 2 Drawers            | 113 |
| Tall Cabinet Accessories - Fillers: TFLF | 114 |
| Side Panels: OSPT xxzzL/R                | 115 |
| <b>Cabinet Accessories: Nomenclature</b> | 116 |
| <b>Floating Shelves: FSxxB</b>           | 117 |
| <b>Back Panels: OBPxx</b>                | 119 |
| ADA Back Panels                          | 120 |
| Vented Back Panels: OBPV                 | 121 |

## Table of Contents

|   |     |
|---|-----|
| Galvanized Vented Back Panels: OBPVGF       | 122 |
| OBPVGF 36H                                  | 123 |
| Equal Back Panels                           | 124 |
| Extended Equal Back Panels                  | 125 |
| ADA Extended Equal Back Panels              | 126 |
| <b>Flush End Panels: OFE xxL/R, OFEGFxx</b> | 127 |
| Flush End Panels GFCI: OFE xxL/R ELEC       | 128 |
| <b>Side Panels: OSP xxL/R</b>               | 129 |
| Side Panels GFCI: OSP xxL/R ELEC            | 130 |
| Extended Side Panels: OSP EXTEND            | 131 |
| Access Door Fillers: OFFxx                  | 132 |
| <b>Front Fillers: OFLFxx, OFLF ENDxx</b>    | 133 |
| OFLF 24-27L/R, OFLA x-x                     | 134 |
| Rear Filler: OFLxx                          | 135 |
| Front/Rear Fillers with GFCI cutout         | 136 |
| Undercounter Appliance Filler: OFTS xx xx   | 137 |
| <b>Half and Full-Depth Shelving: OSH</b>    | 138 |
| Pullout Shelving                            | 139 |
| Pullout Ice Chest                           | 140 |
| Propane Pullout: OPPxx                      | 141 |
| Trash Pullout: OTP                          | 142 |
| <b>Undercounter Appliance Parts</b>         | 143 |
| Front Corner Fillers: OAF90/45xx            | 144 |

## Table of Contents

|  |     |
|--|-----|
| OADzz .50 Outdoor Appliance Divider        | 146 |
| OAR90XX Insert No Vent/Vent Access         | 147 |
| Middle Box Columns: OBXzz.zz x.xx          | 148 |
| ORP with electrical cutout                 | 149 |
| OBX with electrical cutout                 | 150 |
| End Support Columns: ORPzz.zz x.xx         | 151 |
| ORP Cabinet Connector xx                   | 152 |
| ORP Decorative Side Panels: OSP xx yy      | 153 |
| ORP Depth Skin: ORPS                       | 154 |
| OBX Width Skin: OBXF                       | 154 |
| Undercounter Appliance Spacers: ORS        | 155 |
| <b>Countertop Support Piers: OCPSxx</b>    | 156 |
| Countertop Span Support: OCSxx             | 157 |
| Countertop Flush Ends: OFE xxL/R OCS       | 158 |
| Handles                                    | 159 |
| Standard Handle Placement                  | 160 |
| Pull Tab Handles                           | 161 |
| Appliance Overlay Panels                   | 162 |
| Locks                                      | 163 |
| Horizon Wood Grain Usage                   | 164 |
| <b>Miscellaneous</b>                       | 165 |
| Powder Coat Wood Grain Direction: Slab/Rio | 165 |

## Table of Contents

|  |     |
|--|-----|
| Powder Coat Wood Grain Direction: Key West   | 166 |
| Powder Coat Wood Grain Direction: Beadboard  | 167 |
| Powder Coat Wood Grain Direction: Venice     | 168 |
| Venice Door Powder Coating Options           | 169 |
| Sink Covers: SCxxzz                          | 170 |
| Standard & ADA Legs                          | 171 |
| Stainless Legs: SSLEG                        | 172 |
| Toe Kick: OTKx                               | 173 |
| <b>Wall Cabinets</b>                         | 174 |
| Wall Cabinets & Accessories: Nomenclature    | 175 |
| Single door: WSxxzz-LH/RH                    | 176 |
| Double door: WSxxzz                          | 177 |
| 24" Deep: WSxxzz-24                          | 178 |
| Diagonal Corner: WDCxx, Blind Corner: WBxxzz | 179 |
| Microwave Cabinet: WMCxxzz                   | 180 |
| <b>Wall Accessories</b>                      | 181 |
| Side Panels: WSP, Flush End Panels: WFE      | 181 |
| Front Fillers: WFL, Corner Fillers: WFC      | 182 |
| Light Rail: WLR xx yy zz, PVC Cleat          | 183 |
| <b>Rolling Carts</b>                         | 184 |
| <b>Cosmopolitan Tables</b>                   | 185 |
| Eat & Prep                                   | 185 |
| Eat & Prep with Casters                      | 186 |

# Table of Contents

|   |     |
|---|-----|
| Eat & Prep ADA                          | 187 |
| Eat & Prep ADA with Casters             | 188 |
| Store & Cook                            | 189 |
| Store & Cook with Casters               | 190 |
| Store & Cook ADA                        | 191 |
| Store & Cook ADA with Casters           | 192 |
| ADA Wheelchair Access                   | 193 |
| Cosmopolitan Buffet Cook & Buffet Store | 194 |
| <b>Cosmopolitan Kitchen:</b>            | 195 |
| Frame Parts and Accessory Parts         | 195 |
| Powder Coat Examples                    | 196 |
| Powder Coat Options                     | 197 |
| Section 42 and Section 60               | 198 |
| Tall Section 42 and Tall Section 60     | 199 |
| Transition and End                      | 200 |
| Tall Transition and Tall End            | 201 |
| Invisacook and Trim Kit Shell           | 202 |
| Storage 18 and Storage TM 18            | 203 |
| Tall Storage 18 and Triple Storage 18   | 204 |
| Propane Storage                         | 205 |
| <b>Island Insert Cabinets</b>           | 206 |
| Access Doors: IDRxxzz-1, IDRxxzz-2      | 207 |



## Style and Construction

- All standard doors, drawers and cabinet boxes are manufactured from 20g 304 stainless steel or choose to upgrade to 316 marine grade.
- European frameless, solid top construction with full overlay doors.
- Standard 30" high cabinet boxes plus 4.5" leveling legs adjustable from 3.75" to 5.75" or 2" to 3.25" ADA leg heights.
- Cabinet depths are standard 27.88" or optional 24.88" which includes 7/8" for drawer(s) and door(s).
- Concealed door hinges, full extension, soft-close drawer glides on residential projects.
- Magnetic door closures and rain gaskets are standard on cabinetry.
- #2 matte finish interior standard on Danver Stainless Outdoor Kitchen cabinets.
- #4 brushed finish interior standard on Brown Jordan Outdoor Kitchen cabinets.

## Cabinet Options

- Shelving options: half depth standard, full depth, roll out or heavy duty available. Incremental 3" widths starting at 9" and heights starting at 12".
- Available in a variety of door style options.
- Powder coated finishes in solid colors along with woodgrain and stone looks.
- Finished backs and sides are available for stand alone island installations.
- Pre-cut access holes to accommodate plumbing, electrical and required ventilation.

# Outdoor Cabinets: Nomenclature

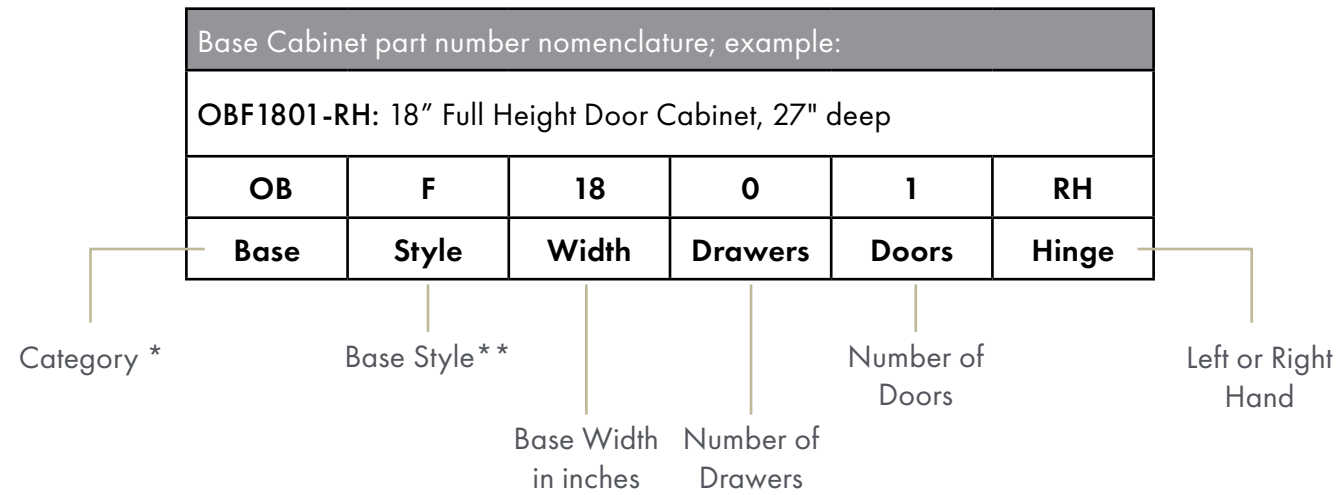
[\\*Return to Table of Contents](#)

All Denver Base cabinets use specific nomenclature designed to help you find the specific type needed.

Standard base cabinet box depth is 27" (drawers/door fronts are 7/8" thick)

For 24" depth cabinets, specify -24 after item #. For example OBF1501-24-LH.

Right hinge or left hinge on single door units is specified as -RH or -LH.



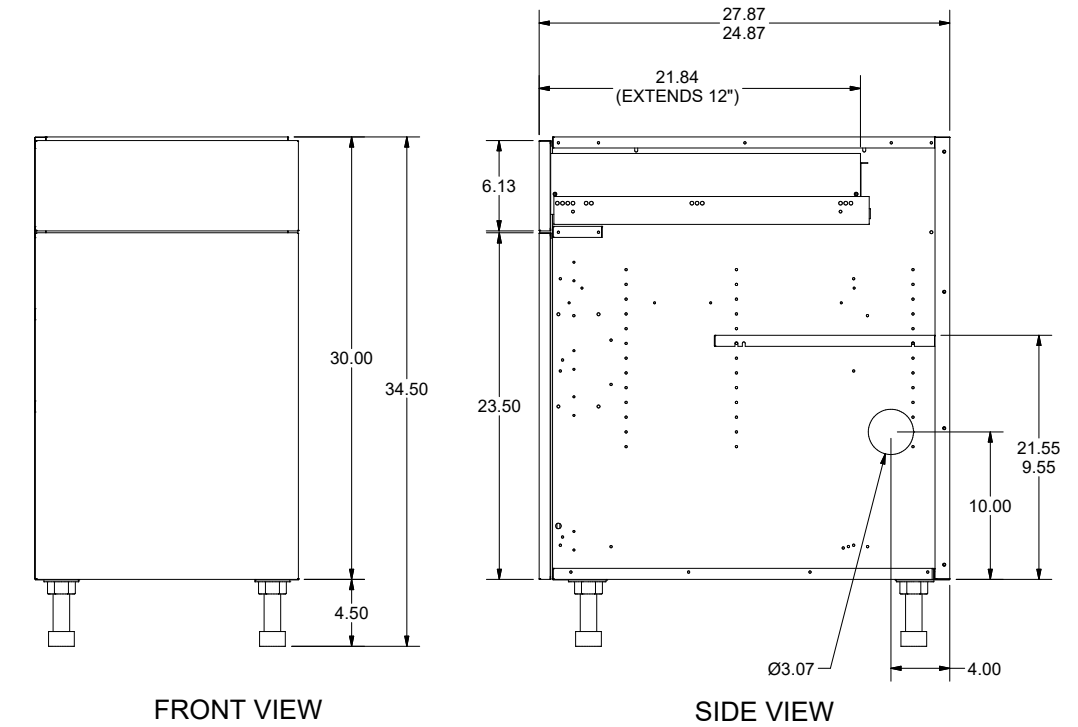
| * Base Category Code Key |                         |
|--------------------------|-------------------------|
| AE                       | Angle End               |
| BC                       | Blind Corner            |
| DC                       | Diagonal Corner         |
| OB                       | Outside Base            |
| OG                       | Outside Grill           |
| OE                       | Outside Egg             |
| OW                       | Outside Warming         |
| WS                       | Wall Cabinet            |
| TB                       | Tall Base               |
| TT                       | Tall Double Oven        |
|                          |                         |
| ID                       | Insert Door             |
| IC                       | Insert Combination      |
| IT                       | Insert Trash Pull-out   |
| IP                       | Insert Propane Pull-out |
| IDW                      | Insert Drawer           |

| ** Base Style Code Key |                                    |
|------------------------|------------------------------------|
| B                      | Base or Burner if "BB"             |
| C                      | Cocktail Base                      |
| F                      | Full-height Door                   |
| FWD                    | Full-height Door Wall Depth (13"D) |
| M                      | Multi-Drawer                       |
| MBH                    | Multi-Drawer Bench Height (12"H)   |
| S                      | Sink                               |
| T                      | Trash                              |
| W                      | Warming Drawer                     |
|                        |                                    |
|                        |                                    |
|                        |                                    |
|                        |                                    |
|                        |                                    |
|                        |                                    |
|                        |                                    |
|                        |                                    |

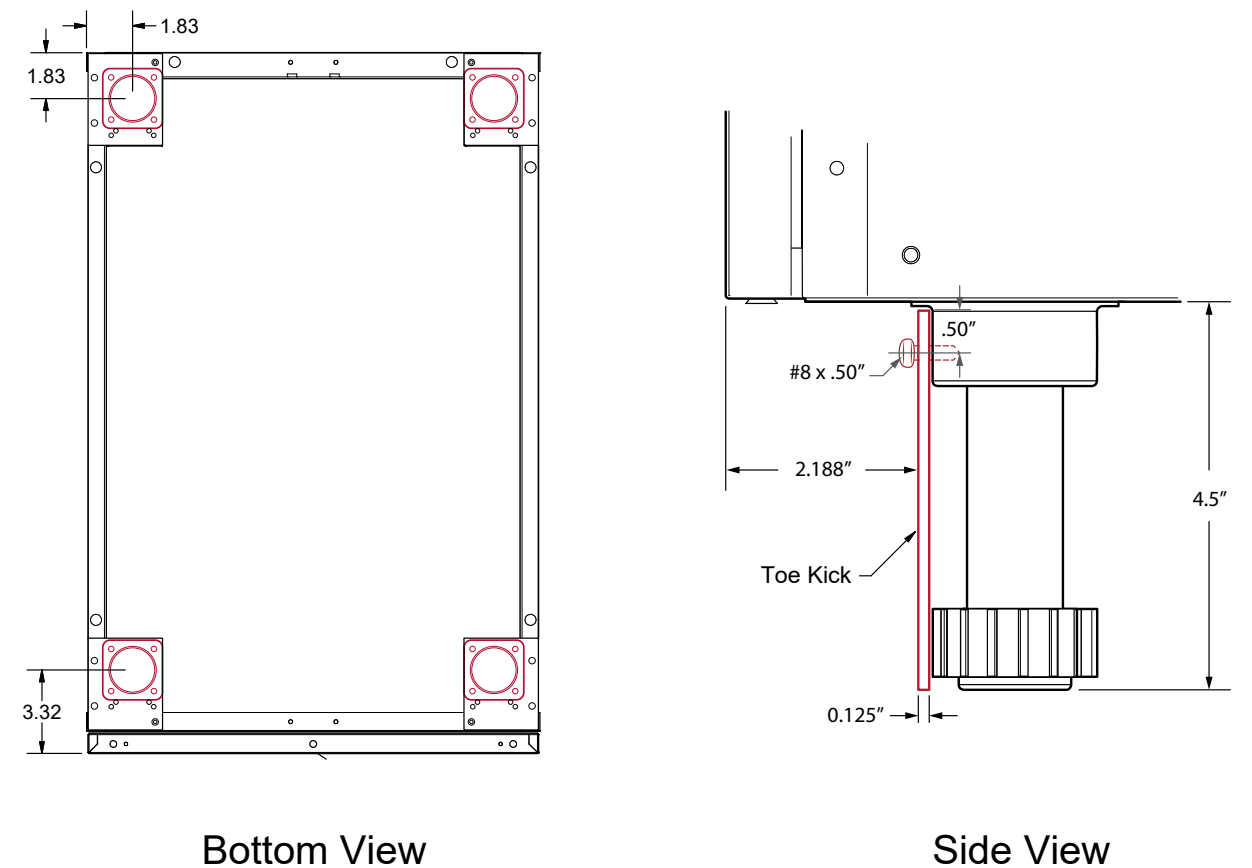
# Storage Base Cabinets - Front, Side, & Bottom View

[\\*Return to Table of Contents](#)

Typical measurements for base storage cabinets. Note that 24" and shorter depth shelves come standard with a full depth shelf.

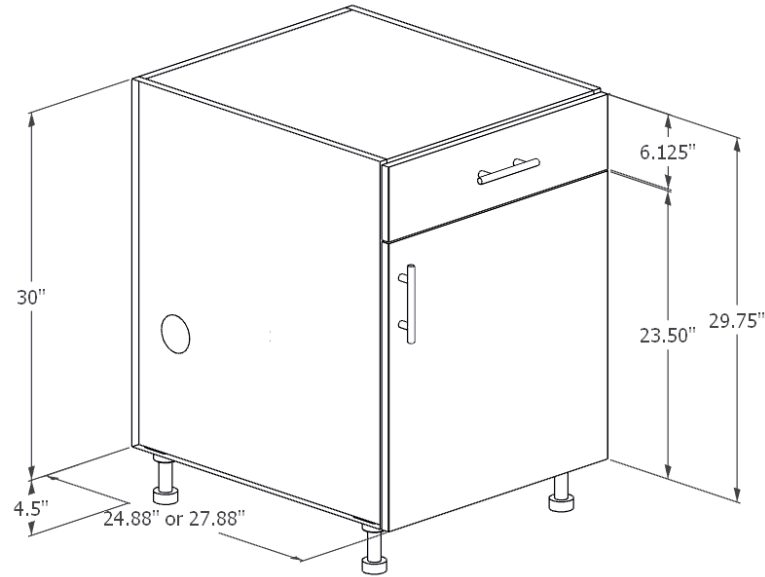


Typical cabinet foot location.



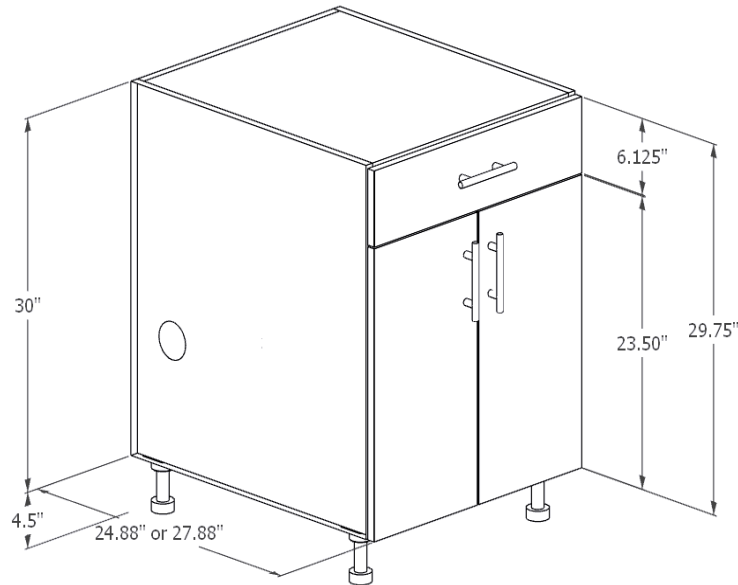
# Storage Base Cabinets - Drawer/Door Base: OBDxx11, OBDxx12

[\\*Return to Table of Contents](#)



Note: Drawer glides are subject to change between 18" and 21" depth without notice based on supplier availability. The Dynapro2.0 glide max load weight is 90 lbs.

| Product Description  |               |
|--|---------------|
| OBD: Drawer/door base, 1 door, 1 upper drawer, 27" D cabinet includes half-depth shelf, 24" D cabinet includes full-depth shelf. |               |
| 27" Depth SKU  | 24" Depth SKU |
| OBD0911-LH   | OBD0911-24-LH |
| OBD0911-RH   | OBD0911-24-RH |
| OBD1211-LH   | OBD1211-24-LH |
| OBD1211-RH   | OBD1211-24-RH |
| OBD1511-LH   | OBD1511-24-LH |
| OBD1511-RH   | OBD1511-24-RH |
| OBD1811-LH   | OBD1811-24-LH |
| OBD1811-RH   | OBD1811-24-RH |
| OBD2111-LH   | OBD2111-24-LH |
| OBD2111-RH   | OBD2111-24-RH |
| OBD2411-LH   | OBD2411-24-LH |
| OBD2411-RH   | OBD2411-24-RH |

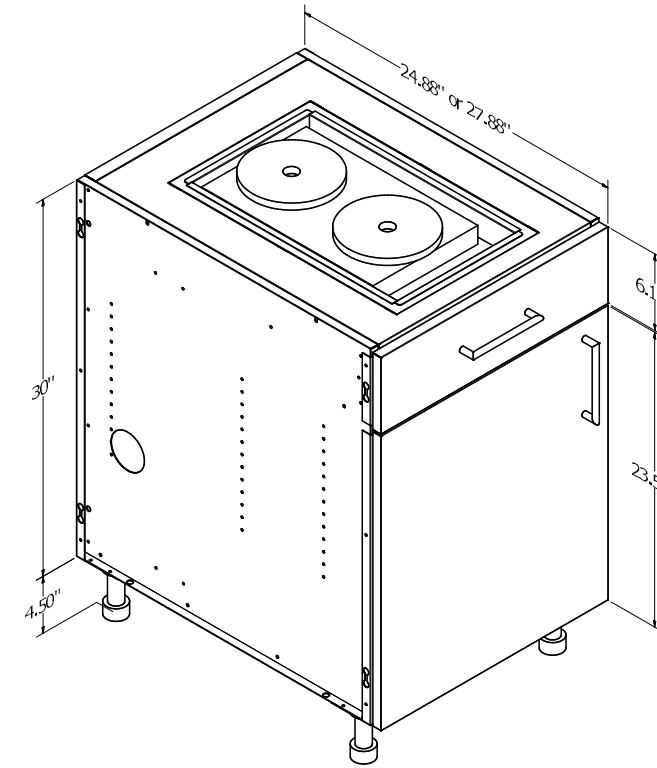


Note: Drawer glides are subject to change between 18" and 21" depth without notice based on supplier availability. The Dynapro2.0 glide max load weight is 90 lbs.

| Product Description  |               |
|--|---------------|
| OBD: Drawer/doors base, 1 upper drawer, 2 doors, 27" D cabinet includes half-depth shelf, 24" D cabinet includes full-depth shelf. |               |
| 27" Depth SKU  | 24" Depth SKU |
| OBD2412  | OBD2412-24    |
| OBD2712  | OBD2712-24    |
| OBD3012  | OBD3012-24    |
| OBD3312  | OBD3312-24    |
| OBD3612  | OBD3612-24    |
| OBD3912  | OBD3912-24    |

# Storage Base Cabinets - OBDxx11 INVISACOOK

[\\*Return to Table of Contents](#)



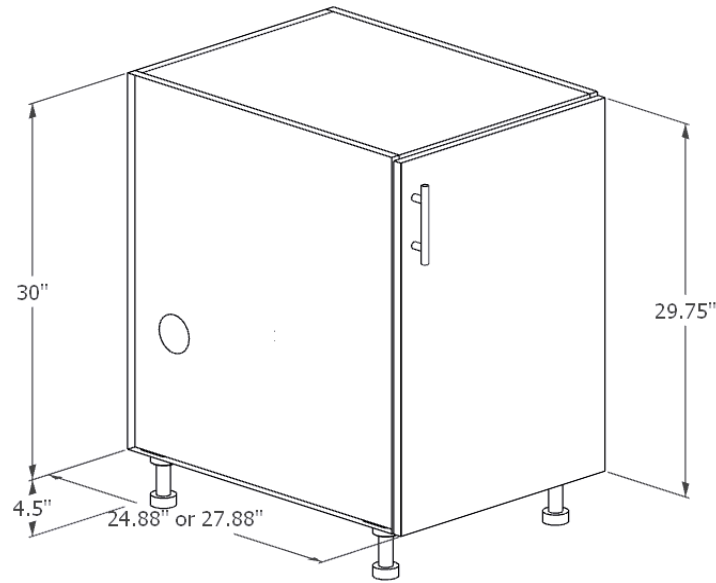
Note: Drawer glides are subject to change between 18" and 21" depth without notice based on supplier availability. The Dynapro2.0 glide max load weight is 90 lbs.

| Product Description  |                          |
|--|--------------------------|
| OBDxx11-INVISACOOK: Drawer/door base for housing INVISACOOK Two-Burner unit, 1 door, 1 upper drawer, 27" D cabinet includes half-depth shelf, 24" D cabinet includes full-depth shelf. |                          |
| 18"W x 27"D/24"D Invisacook Two-Burner Base - 1 Drawer: 17.88" - 23.88" x 6.13", 1 Door: 17.88" - 23.88" x 23.5". Includes half depth shelf.   |                          |
| 27" Depth SKU  | 24" Depth SKU            |
| OBD1811-LH-INVISACOOK  | OBD1811-24-LH-INVISACOOK |
| OBD1811-RH-INVISACOOK  | OBD1811-24-RH-INVISACOOK |
| OBD2111-LH-INVISACOOK  | OBD2111-24-LH-INVISACOOK |
| OBD2111-RH-INVISACOOK  | OBD2111-24-RH-INVISACOOK |
| OBD2411-LH-INVISACOOK  | OBD2411-24-LH-INVISACOOK |
| OBD2411-RH-INVISACOOK  | OBD2411-24-RH-INVISACOOK |
| 24"W x 27"D/24"D Invisacook Two-Burner Base - 1 Drawer: 23.88" x 6.13", 2 Doors: 11.88" x 23.5". Includes half depth shelf.  |                          |
| 27" Depth SKU  | 24" Depth SKU            |
| OBD2412-INVISACOOK   | OBD2412-24-INVISACOOK    |



# Storage Base Cabinets - Full-Height Doors: OBFxx01, OBFxx02

[\\*Return to Table of Contents](#)

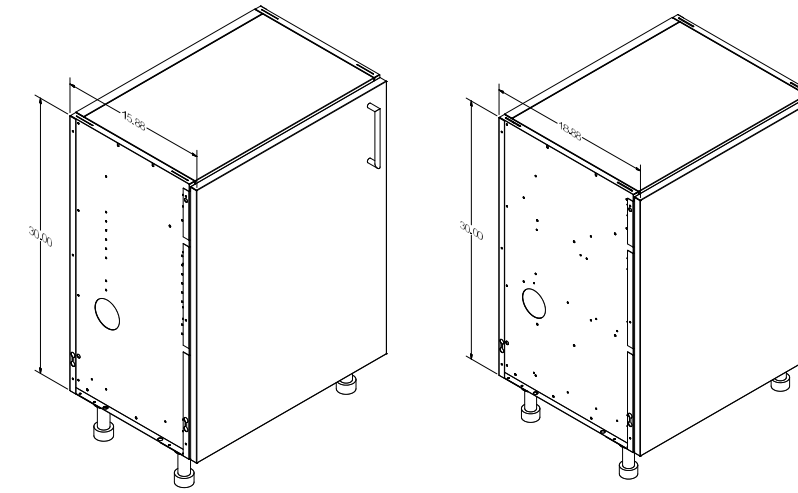


NOTE: Cabinet boxes are 30" high plus 4.5" leveling legs or 2" (ADA) leg heights.

| Product Description   |               |
|---|---------------|
| OBF: Full-height door base, 1 door, 27" D cabinet includes half-depth shelf, 24" D cabinet includes full-depth shelf. |               |
| 27" Depth SKU   | 24" Depth SKU |
| OBF0901-LH  | OBF0901-24-LH |
| OBF0901-RH  | OBF0901-24-RH |
| OBF1201-LH  | OBF1201-24-LH |
| OBF1201-RH  | OBF1201-24-RH |
| OBF1501-LH  | OBF1501-24-LH |
| OBF1501-RH  | OBF1501-24-RH |
| OBF1801-LH  | OBF1801-24-LH |
| OBF1801-RH  | OBF1801-24-RH |
| OBF2101-LH  | OBF2101-24-LH |
| OBF2101-RH  | OBF2101-24-RH |
| OBF2401-LH  | OBF2401-24-LH |
| OBF2401-RH  | OBF2401-24-RH |

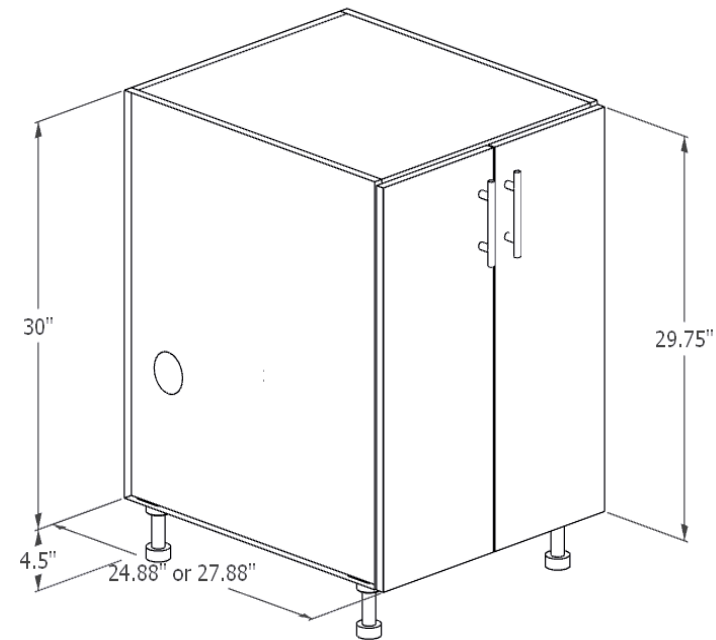
# Storage Base Cabinets - OBFxx01-15 & -18, OBFxx02-15 & -18

[\\*Return to Table of Contents](#)



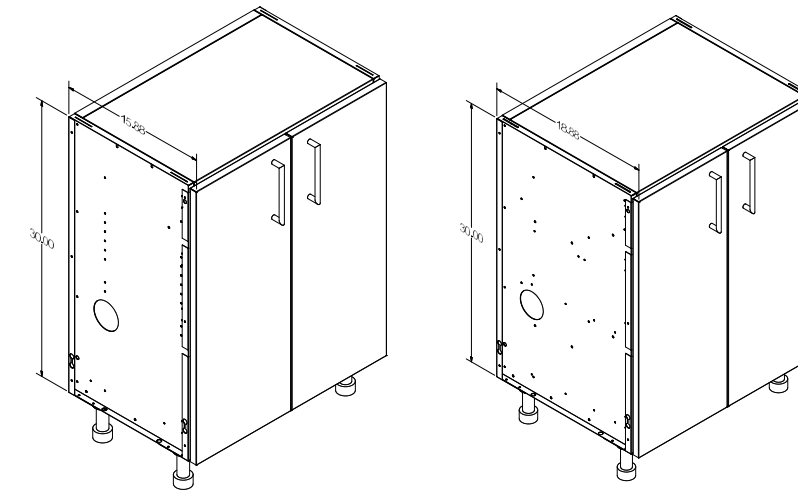
NOTE: Cabinet boxes are 30" high plus 4.5" leveling legs or 2" (ADA) leg heights.

| Product Description  |               |
|--|---------------|
| OBFxx01-15 or -18: Full-height door base, 1 door, includes full-depth shelf. 15" or 18" depth. |               |
| 15" Depth SKU  | 18" Depth SKU |
| OBF0901-15-LH  | OBF0901-18-LH |
| OBF0901-15-RH  | OBF0901-18-RH |
| OBF1201-15-LH  | OBF1201-18-LH |
| OBF1201-15-RH  | OBF1201-18-RH |
| OBF1501-15-LH  | OBF1501-18-LH |
| OBF1501-15-RH  | OBF1501-18-RH |
| OBF1801-15-LH  | OBF1801-18-LH |
| OBF1801-15-RH  | OBF1801-18-RH |
| OBF2101-15-LH  | OBF2101-18-LH |
| OBF2101-15-RH  | OBF2101-18-RH |



NOTE: Cabinet boxes are 30" high plus 4.5" leveling legs or 2" (ADA) leg heights.

| Product Description  |               |
|--|---------------|
| OBF: Full-height door base, 2 doors, 27" D cabinet includes half-depth shelf, 24" D cabinet includes full-depth. |               |
| 27" Depth SKU  | 24" Depth SKU |
| OBF2402  | OBF2402-24    |
| OBF2702  | OBF2702-24    |
| OBF3002  | OBF3002-24    |
| OBF3302  | OBF3302-24    |
| OBF3602  | OBF3602-24    |
| OBF3902  | OBF3902-24    |
| OBF4202  | OBF4202-24    |
| OBF4502  | OBF4502-24    |
| OBF4802  | OBF4802-24    |

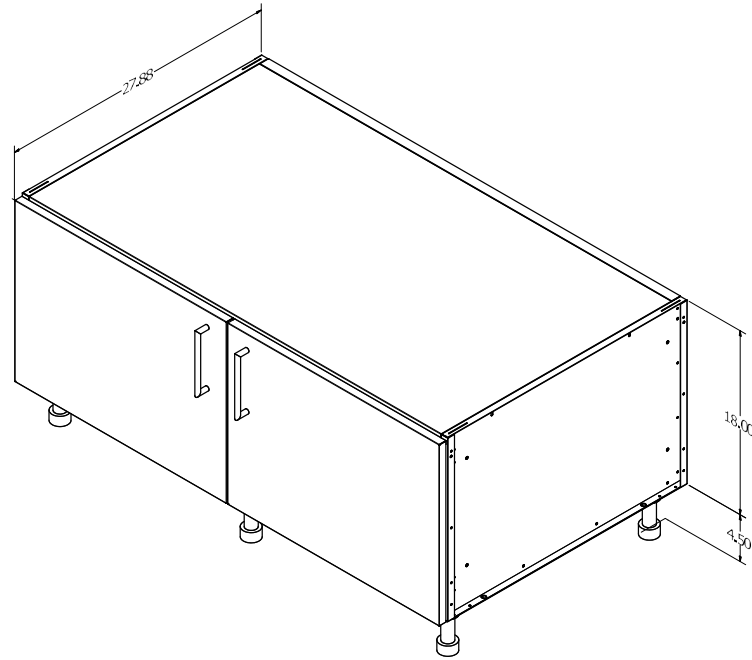


NOTE: Cabinet boxes are 30" high plus 4.5" leveling legs or 2" (ADA) leg heights.

| Product Description   |               |
|---|---------------|
| OBFxx02-15 or -18: Full-height door base, 2 doors, includes full-depth shelf. 15" or 18" depth. |               |
| 15" Depth SKU   | 18" Depth SKU |
| OBF2402-15  | OBF2402-18    |
| OBF2702-15  | OBF2702-18    |
| OBF3002-15  | OBF3002-18    |
| OBF3302-15  | OBF3302-18    |
| OBF3602-15  | OBF3602-18    |
| OBF3902-15  | OBF3902-18    |
| OBF4202-15  | OBF4202-18    |
| OBF4502-15  | OBF4502-18    |
| OBF4802-15  | OBF4802-18    |

## Storage Base Cabinets - Full-Height Doors: OBFxx02H18

[\\*Return to Table of Contents](#)

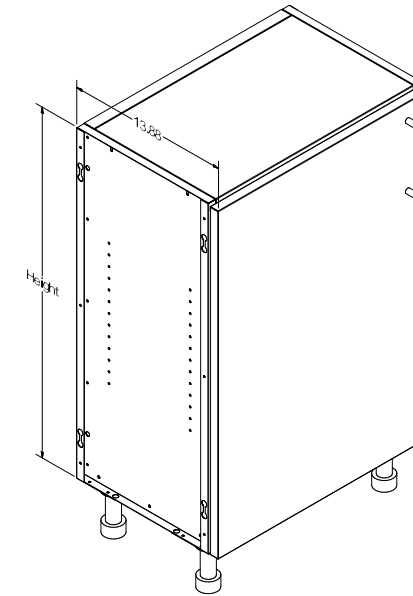


NOTE: Designed for grills that sit on cabinet top.  
(Example: Yoder, Blackstone)

| Product Description  |
|--|
| OBFxx02H18: Full-height door base. 30"-48"W x 18"H x 27"D Base - 2 Full Height Doors: 23.88"W x 17.75"H. NO SHELF OPTIONS FOR THIS CABINET. ***Requires CUSTOM finished back/sides panels if necessary due to 18"H. Do not use standard OBP, OFE, or OSP!*** |
| 27" Depth SKU  |
| OBF3002H18   |
| OBF3602H18   |
| OBF4202H18   |
| OBF4802H18   |
| OBF5403H18   |

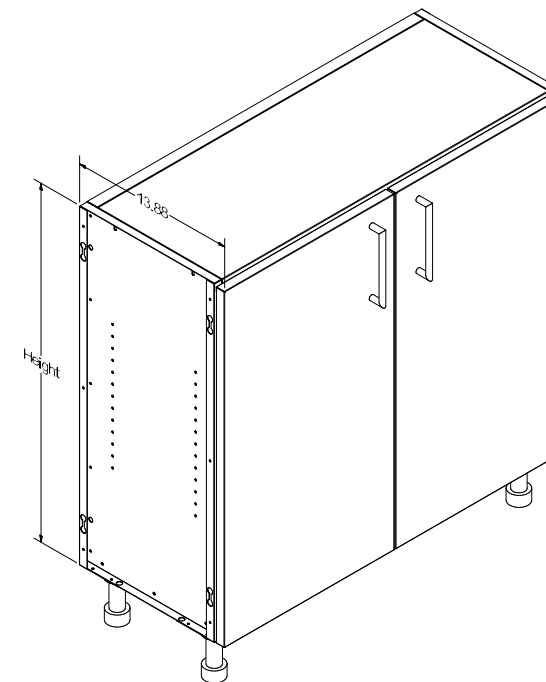
## Storage Base Cabinets - Wall Depth: OBFWDxx30, OBFWDxx36

[\\*Return to Table of Contents](#)



NOTE: Cabinets may tip if not attached to 24" or 30" depth cabinets. Please observe all local building codes when installing. Cabinet boxes are 30" or 36" high plus 4.5" leveling legs or 2" (ADA) leg heights. Decorative side panels are available in every door style.

| Product Description  |                |
|--|----------------|
| OBFWD: Full-height door base, Wall Depth 13", 1 door, includes two full-depth shelves. |                |
| 30" Height SKU   | 36" Height SKU |
| OBFWD1230-LH   | OBFWD1236-LH   |
| OBFWD1230-RH   | OBFWD1236-RH   |
| OBFWD1530-LH   | OBFWD1536-LH   |
| OBFWD1530-RH   | OBFWD1536-RH   |
| OBFWD1830-LH   | OBFWD1836-LH   |
| OBFWD1830-RH   | OBFWD1836-RH   |
| OBFWD2130-LH   | OBFWD2136-LH   |
| OBFWD2130-RH   | OBFWD2136-RH   |

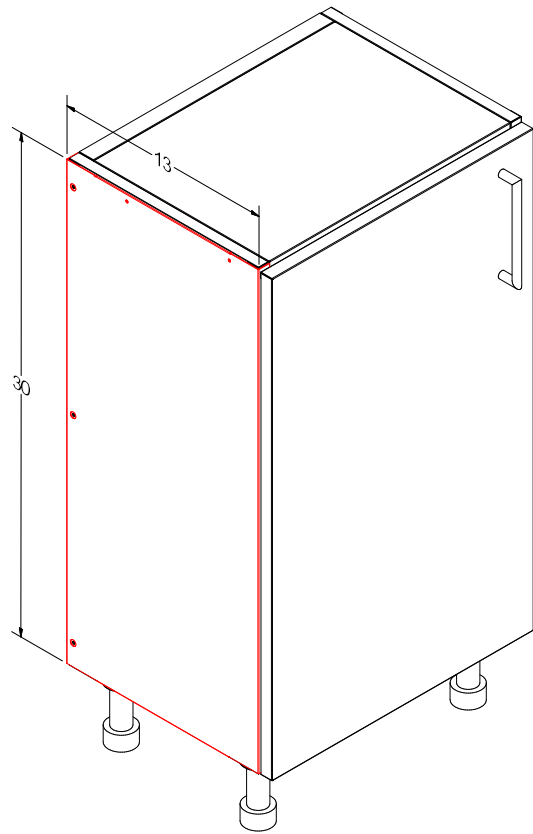
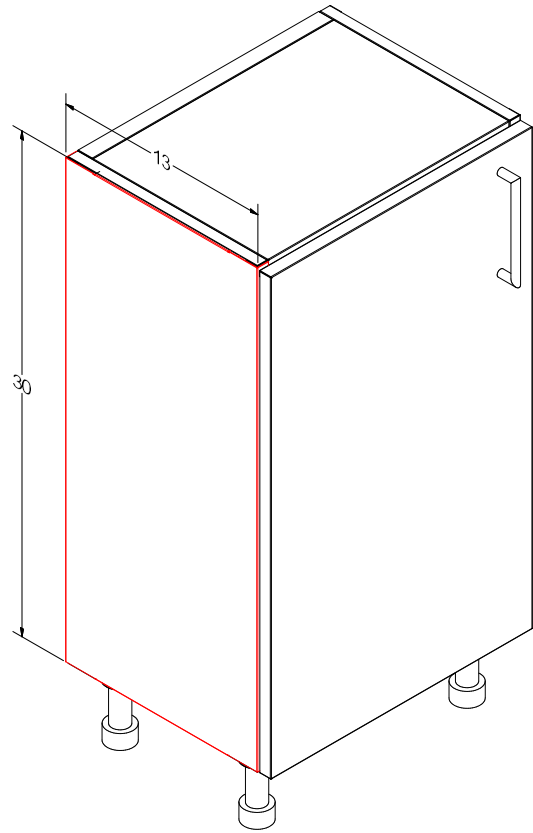


NOTE: Cabinets may tip if not attached to 24" or 30" depth cabinets. Please observe all local building codes when installing. Cabinet boxes are 30" or 36" high plus 4.5" leveling legs or 2" (ADA) leg heights. Decorative side panels are available in every door style.

| Product Description   |                |
|---|----------------|
| OBFWD: Full-height door base, Wall Depth 13", 2 doors, includes two full-depth shelves. |                |
| 30" Height SKU  | 36" Height SKU |
| OBFWD2430   | OBFWD2436      |
| OBFWD2730   | OBFWD2736      |
| OBFWD3030   | OBFWD3036      |
| OBFWD3330   | OBFWD3336      |
| OBFWD3630   | OBFWD3636      |

## Wall Depth Base - Flush End Panels: OFE 13L/R

[\\*Return to Table of Contents](#)



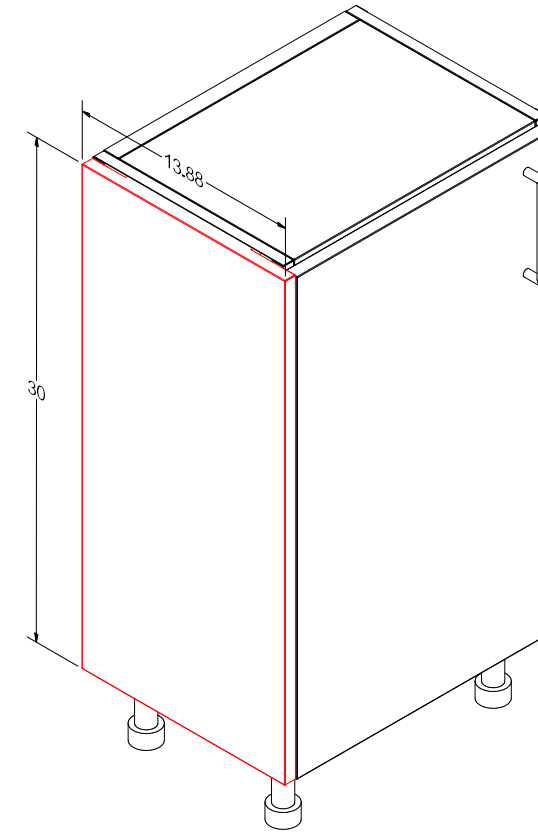
| Product Description   |
|---|
| OFE: Wall depth cabinet flush end panel, 13"D x 30"H. Sits flush to cabinet side, specify based on cabinet side and depth. No round access hole cutout. |
| 13" Depth x 30"H SKU  |
| OFE 13L   |
| OFE 13R   |
| 13" Depth x 36"H SKU  |
| OFE 13L 36H   |
| OFE 13R 36H   |

| Product Description  |
|--|
| OFE: Wall depth cabinet flush end panel, 13"D x 30"H. Sits flush to cabinet side, specify based on cabinet side and depth. Round access hole cutout. |
| 13" Depth x 30"H SKU   |
| OFE 13L APPLIANCE  |
| OFE 13R APPLIANCE  |
| 13" Depth x 36" High SKU   |
| OFE 36H 13L APPLIANCE  |
| OFE 36H 13R APPLIANCE  |

| Product Description   |
|---|
| OFEGF: Base wall height cabinet galvanized flush end panel, 30"H or 36"H. Sits flush in cabinet side, used to fill in cabinet side for adhering waterfall countertops and other materials. Specify based on cabinet depth and height. |
| 13" Depth x 30" Height SKU  |
| OFEGF13   |
| 13" Depth x 36" Height SKU  |
| OFEGF13 36H   |

## Wall Depth Base - Side Panels: OSP 13.88L/R, OSP 14.63L/R

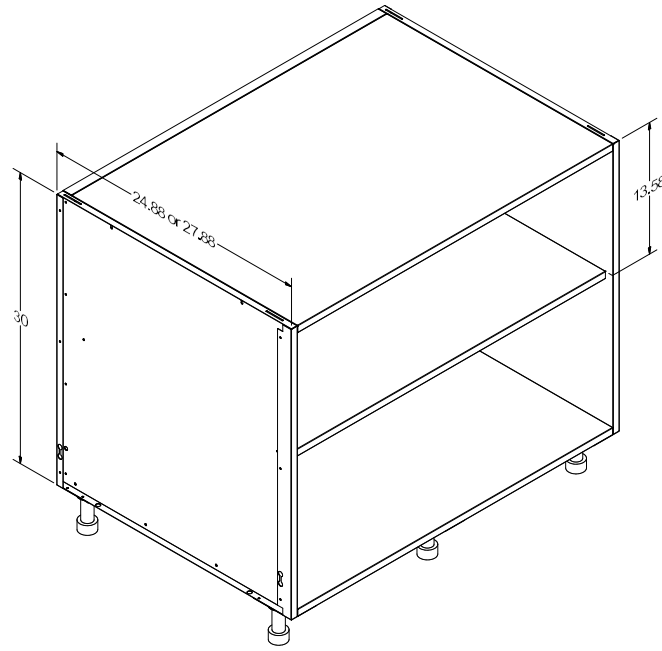
[\\*Return to Table of Contents](#)



| Product Description  |                                     |
|--|-------------------------------------|
| OSP: 3/4" Thick 13"D x 30/36"H side panels for wall depthbase cabinets. Panels sit flush with door/drawer faces and back panels if used. Specify based on cabinet side and depth (select .75" deeper for use with back panels) |                                     |
| 13" Depth x 30" High SKU   |                                     |
| OSP 13.88L   |                                     |
| OSP 13.88R   |                                     |
| OSP 14.63L   | 13"D Cabinet with back panel        |
| OSP 14.63R   | 13"D Cabinet with back panel        |
| 13" Depth x 36" High SKU   |                                     |
| OSP 13.88L 36H   |                                     |
| OSP 13.88R 36H   |                                     |
| OSP 14.63L 36H   | 13"D x 36"H Cabinet with back panel |
| OSP 14.63R 36H   | 13"D x 36"H Cabinet with back panel |

## Storage Base Cabinets - Open Base Cabinet: OBFxx00

[\\*Return to Table of Contents](#)



Note: OBFxx00 cabinet box depth is 24.88"D or 27.88"D to match total depth of standard cabinets with fronts. Flush end panels (OFE) are available to finish the exposed side seen when OBFxx00 bases are placed next to standard bases. The return flange on the OBFxx00 side is 7/8" longer to line up with adjacent sides.

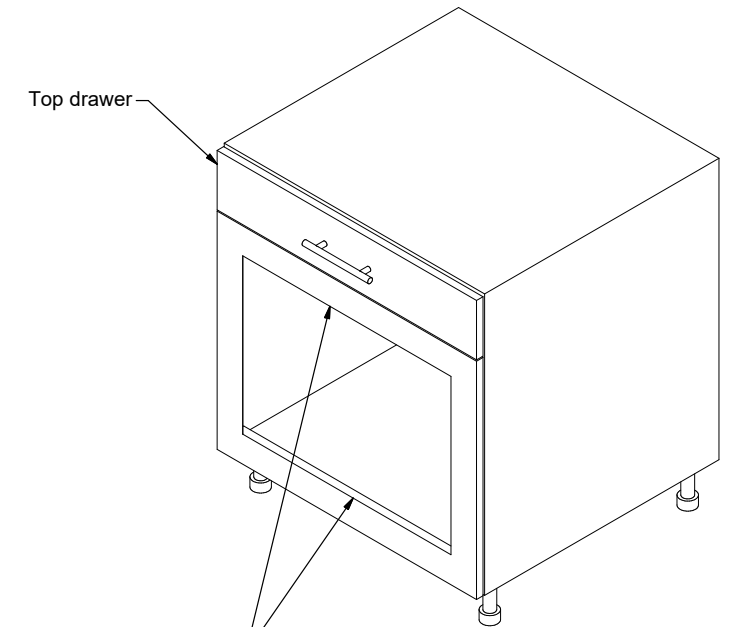
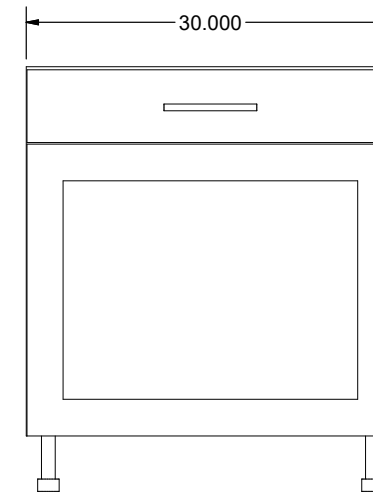
**The interior of OBFxx00 cabinets can be powdercoated but cannot have woodgrain powdercoat applied.**

| Product Description   |               |
|---|---------------|
| OBFxx00: Open base cabinet, #4 brushed finish, no drawers/doors, no holes on interior. Includes one full-depth shelf. |               |
| 27" Depth SKU   | 24" Depth SKU |
| OBF0900   | OBF0900-24    |
| OBF1200   | OBF1200-24    |
| OBF1500   | OBF1500-24    |
| OBF1800   | OBF1800-24    |
| OBF2100   | OBF2100-24    |
| OBF2400   | OBF2400-24    |
| OBF2700   | OBF2700-24    |
| OBF3300   | OBF3300-24    |
| OBF3600   | OBF3600-24    |
| OBF3900   | OBF3900-24    |
| OBF4200   | OBF4200-24    |
| OBF4500   | OBF4500-24    |
| OBF4800   | OBF4800-24    |

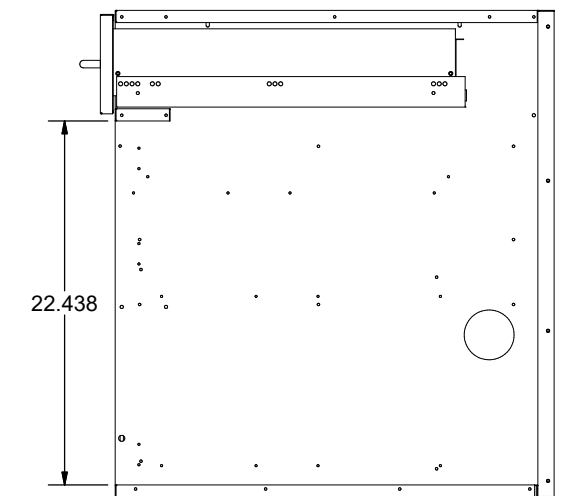
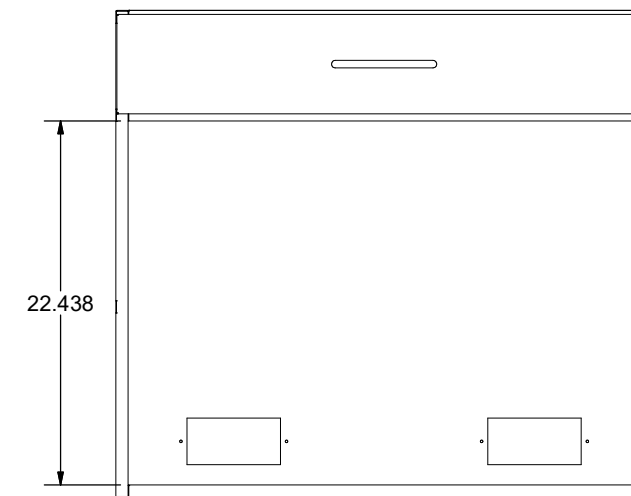
## Storage Base Cabinets - Insert Cabinets: OBIxx10 and OBI4200

[\\*Return to Table of Contents](#)

| Product Description   |               |
|---|---------------|
| OBIxx10: XX"W x 27"D Base - 1 Upper Drawer, no doors. Made to accept Dry Pantry Storage box or other insert. ***this cabinet needs a trim kit (OBIK). |               |
| 27" Depth SKU   | 24" Depth SKU |
| OBI3010   | OBI3010-24    |
| OBI3610   | OBI3610-24    |
| OBI4200   | OBI4200-24    |

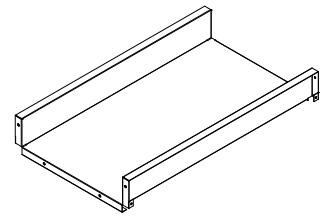


Top and bottom flanges in faceplate for mounting



# Storage Base Cabinets - Drawer Specifications and Volume

[\\*Return to Table of Contents](#)



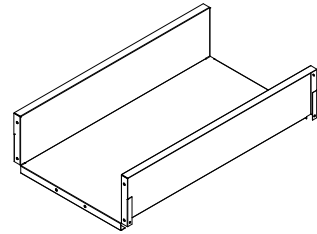
**Small Wrap**

For drawers 6.13h - 8.5h

Height = 2.71

Width = (Cab Width) - 3.82

Depth = 21.05



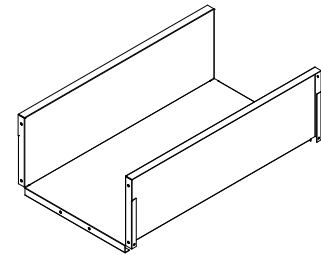
**Medium Wrap**

For drawers 8.63h - 10.5h

Height = 4.71

Width = (Cab Width) - 3.82

Depth = 21.05



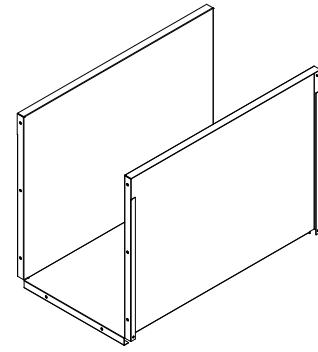
**Large Wrap**

For drawers 11h+

Height = 6.71

Width = (Cab Width) - 3.82

Depth = 21.05



**Full Wrap**

For drawers 29.75h

Height = 11.96

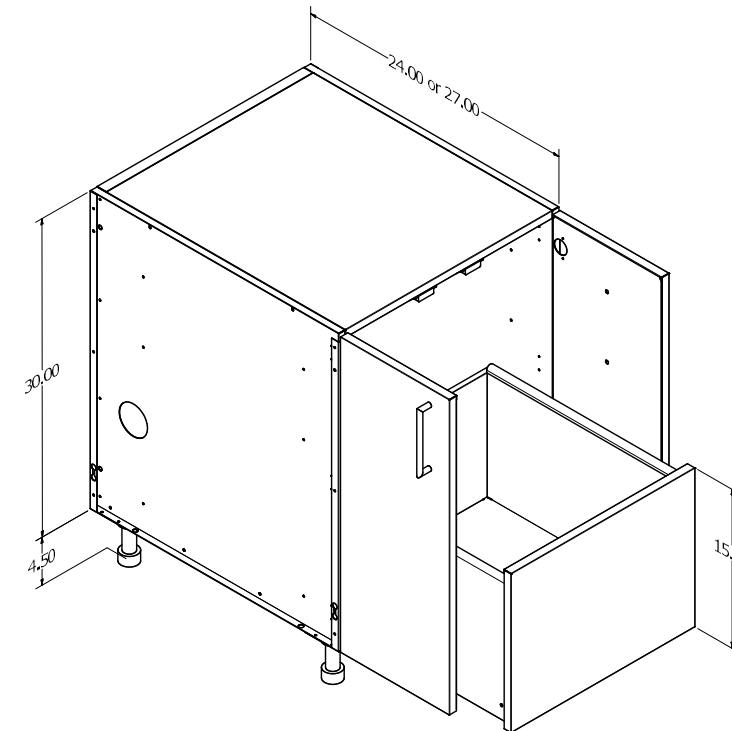
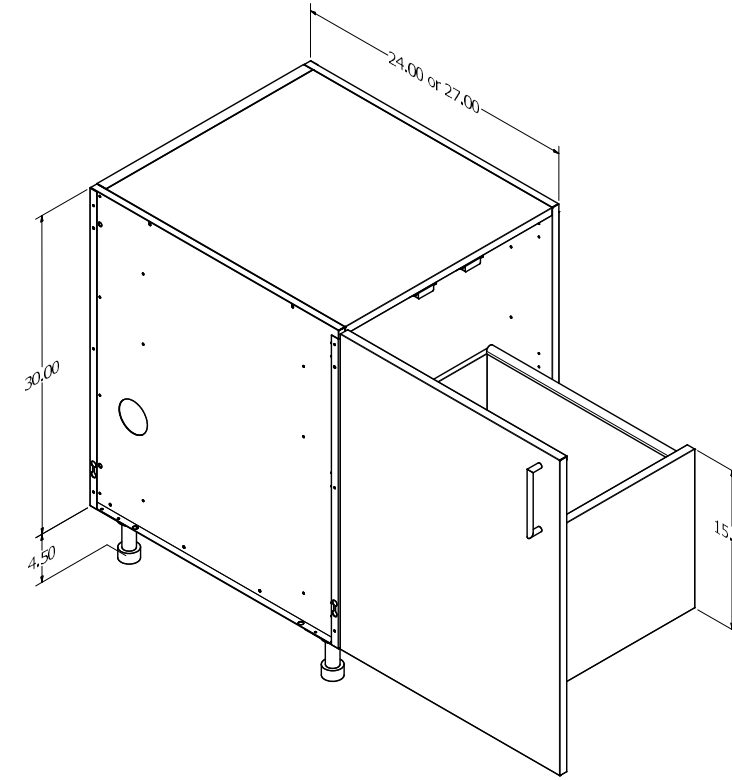
Width = (Cab Width) - 3.82

Depth = 21.05

Note: Subtract 3.82" from cabinet width to determine drawer wrap width. Drawer depth remains the same regardless of cabinet width.

# Storage Base Cabinets - Multi-Drawer: OBFxx1xN

[\\*Return to Table of Contents](#)



## Product Description

OBFxx11 & OBFxx12: 1 Drawer and 1 Full-Height Door (12"-21" wide cabinets) / 1 Drawer and 2 Full-Height Doors (24"-30" wide cabinets). Nested drawer with 18" slides, no handle - pull to open, Hampton slab front ONLY, will match power coat on cabinet door when applicable. Front: 15"H.

| 27" Depth SKU | 24" Depth SKU  |
|---------------|----------------|
| OBF1211N-LH   | OBF1211N-24-LH |
| OBF1211N-RH   | OBF1211N-24-RH |
| OBF1511N-LH   | OBF1511N-24-LH |
| OBF1511N-RH   | OBF1511N-24-RH |
| OBF1811N-LH   | OBF1811N-24-LH |
| OBF1811N-RH   | OBF1811N-24-RH |
| OBF2111N-LH   | OBF2111N-24-LH |
| OBF2111N-RH   | OBF2111N-24-RH |
| OBF2412N      | OBF2412N-24    |
| OBF2712N      | OBF2712N-24    |
| OBF3012N      | OBF3012N-24    |

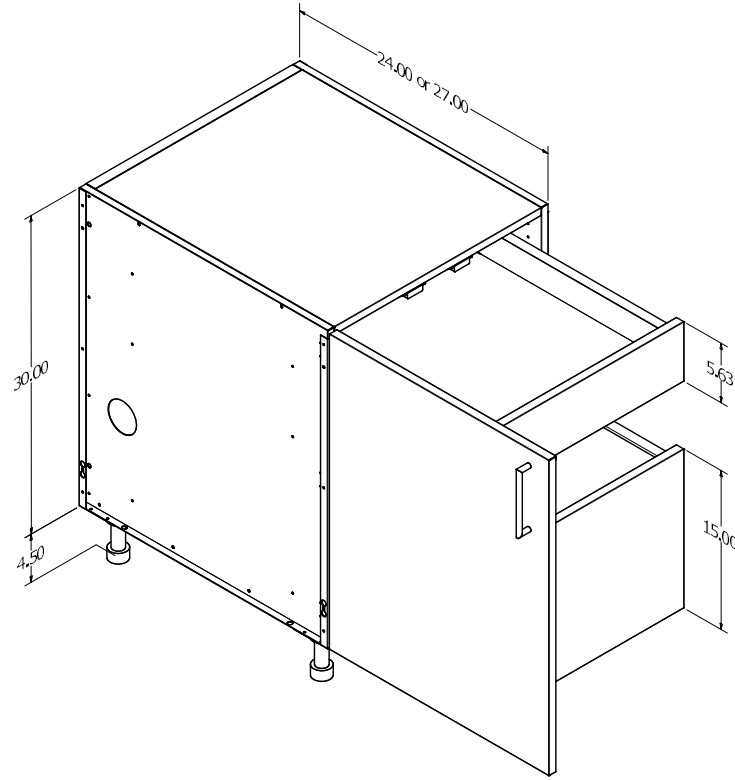
12"-21" width cabinets have one door

24"-30" width cabinets have two doors

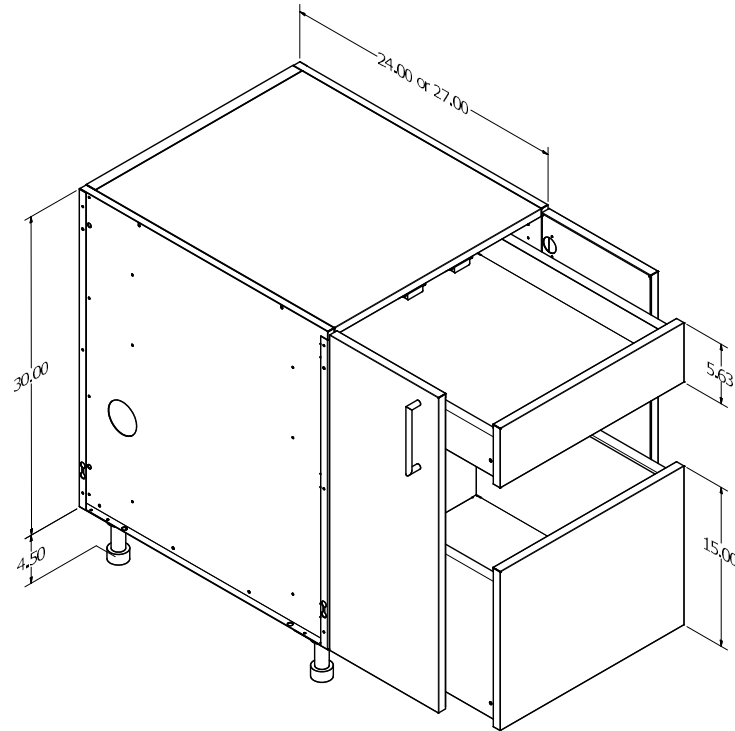
Note: The Dynapro2.0 slide max load weight is 90 lbs.

# Storage Base Cabinets - Multi-Drawer: OBFxx2xN

[\\*Return to Table of Contents](#)



| Product Description   |                |
|---|----------------|
| OBFxx21 & OBFxx22: 2 Drawers and 1 Full-Height Door (12"-21" wide cabinets) / 2 Drawers and 2 Full-Height Doors (24"-30" wide cabinets). Nested drawers with 18" slides, no handle - pull to open, Hampton slab front ONLY, will match power coat on cabinet door when applicable. Top front 5.63"H, bottom front 15"H. |                |
| 27" Depth SKU   | 24" Depth SKU  |
| OBF1221N-LH   | OBF1221N-24-LH |
| OBF1221N-RH   | OBF1221N-24-RH |
| OBF1521N-LH   | OBF1521N-24-LH |
| OBF1521N-RH   | OBF1521N-24-RH |
| OBF1821N-LH   | OBF1821N-24-LH |
| OBF1821N-RH   | OBF1821N-24-RH |
| OBF2121N-LH   | OBF2121N-24-LH |
| OBF2121N-RH   | OBF2121N-24-RH |
| OBF2422N  | OBF2422N-24    |
| OBF2722N  | OBF2722N-24    |
| OBF3022N  | OBF3022N-24    |



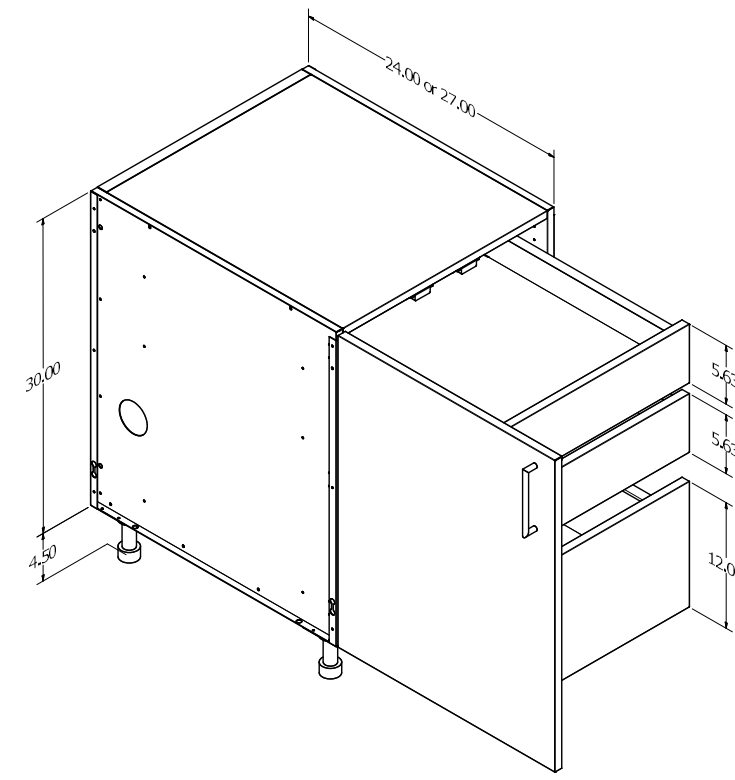
12"-21" width cabinets have one door

24"-30" width cabinets have two doors

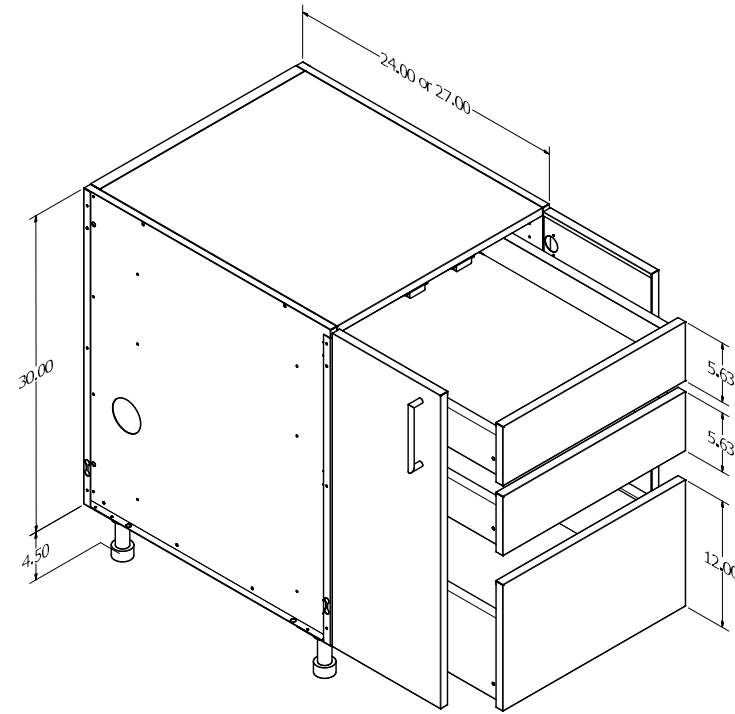
Note: The Dynapro2.0 slide max load weight is 90 lbs.

# Storage Base Cabinets - Multi-Drawer: OBFxx3xN

[\\*Return to Table of Contents](#)



| Product Description  |                |
|--|----------------|
| OBFxx31 & OBFxx32: 3 Drawers and 1 Full-Height Door (12"-21" wide cabinets) / 3 Drawers and 2 Full-Height Doors (24"-30" wide cabinets). Nested drawers with 18" slides, no handle - pull to open, Hampton slab front ONLY, will match power coat on cabinet door when applicable. Top fronts 5.63"H, bottom front 12"H. |                |
| 27" Depth SKU  | 24" Depth SKU  |
| OBF1231N-LH  | OBF1231N-24-LH |
| OBF1231N-RH  | OBF1231N-24-RH |
| OBF1531N-LH  | OBF1531N-24-LH |
| OBF1531N-RH  | OBF1531N-24-RH |
| OBF1831N-LH  | OBF1831N-24-LH |
| OBF1831N-RH  | OBF1831N-24-RH |
| OBF2131N-LH  | OBF2131N-24-LH |
| OBF2131N-RH  | OBF2131N-24-RH |
| OBF2432N   | OBF2432N-24    |
| OBF2732N   | OBF2732N-24    |
| OBF3032N   | OBF3032N-24    |



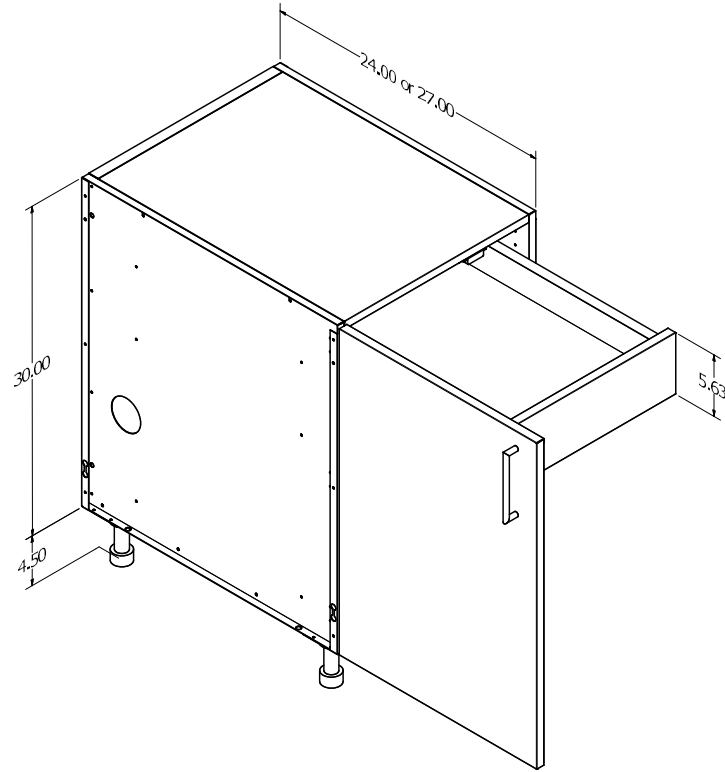
12"-21" width cabinets have one door

24"-30" width cabinets have two doors

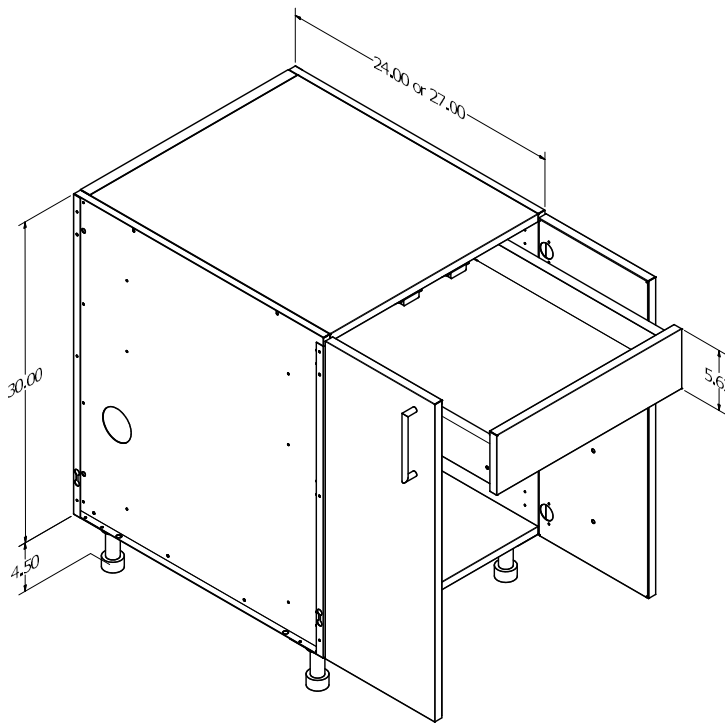
Note: The Dynapro2.0 slide max load weight is 90 lbs.

# Storage Base Cabinets - Multi-Drawer: OBFxx1xNT

[\\*Return to Table of Contents](#)



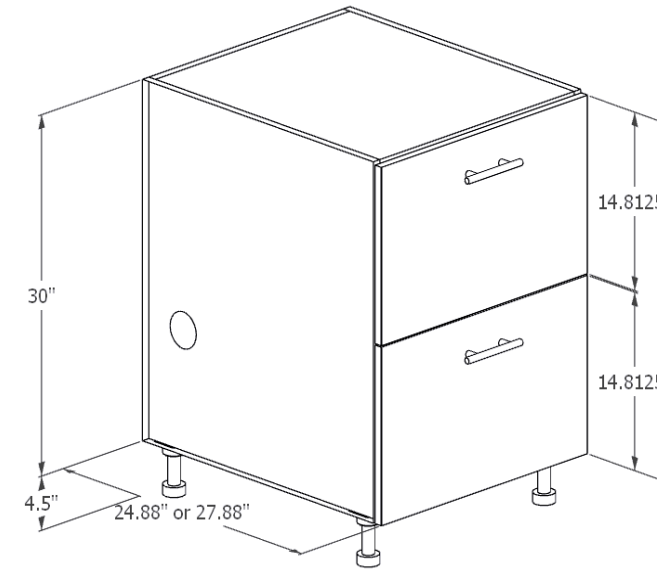
| Product Description   |                 |
|---|-----------------|
| OBFxx11NT & OBFxx12NT: 1 Drawer and 1 Full-Height Door (12"-21" wide cabinets) / 1 Drawer and 2 Full-Height Doors (24"-30" wide cabinets). Nested Top drawer with 18" glides, no handle - pull to open, Hampton slab front ONLY, will match powder coat on cabinet door when applicable. Front: 5.63"H. |                 |
| 27" Depth SKU   | 24" Depth SKU   |
| OBF1211NT-LH  | OBF1211NT-24-LH |
| OBF1211NT-RH  | OBF1211NT-24-RH |
| OBF1511NT-LH  | OBF1511NT-24-LH |
| OBF1511NT-RH  | OBF1511NT-24-RH |
| OBF1811NT-LH  | OBF1811NT-24-LH |
| OBF1811NT-RH  | OBF1811NT-24-RH |
| OBF2111NT-LH  | OBF2111NT-24-LH |
| OBF2111NT-RH  | OBF2111NT-24-RH |
| OBF2412NT   | OBF2412NT-24    |
| OBF2712NT   | OBF2712NT-24    |
| OBF3012NT   | OBF3012NT-24    |



|   |                                       |
|---|---------------------------------------|
| 12"-21" width cabinets have one door                  | 24"-30" width cabinets have two doors |
| Note: The Dynapro2.0 slide max load weight is 90 lbs. |                                       |

# Storage Base Cabinets - Multi-Drawer: OBMxx20

[\\*Return to Table of Contents](#)

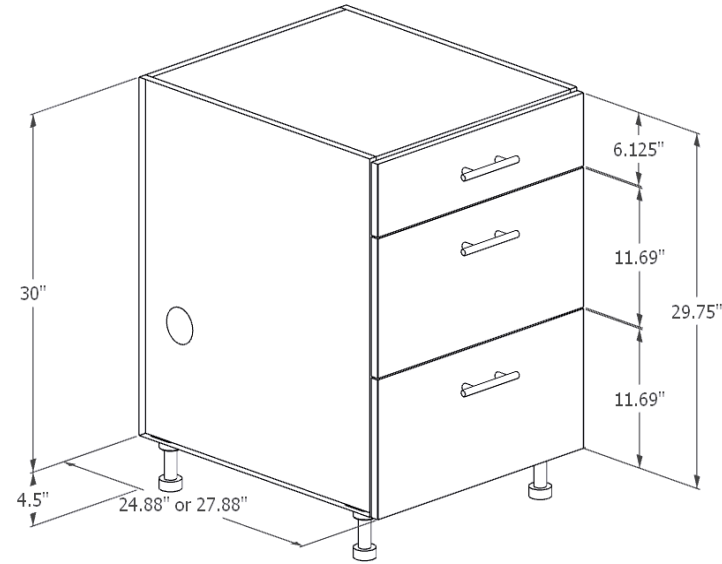


Note: Drawer glides are subject to change between 18" and 21" depth without notice based on supplier availability. The Dynapro2.0 glide max load weight is 90 lbs.

| Product Description                   |               |
|---------------------------------------|---------------|
| OBMxx20: Multi-Drawer Base, 2 Drawers |               |
| 27" Depth SKU                         | 24" Depth SKU |
| OBF0920                               | OBF0920-24    |
| OBF1220                               | OBF1220-24    |
| OBF1520                               | OBF1520-24    |
| OBF1820                               | OBF1820-24    |
| OBF2120                               | OBF2120-24    |
| OBF2420                               | OBF2420-24    |
| OBF2720                               | OBF2720-24    |
| OBF3020                               | OBF3020-24    |
| OBF3320                               | OBF3320-24    |
| OBF3620                               | OBF3620-24    |

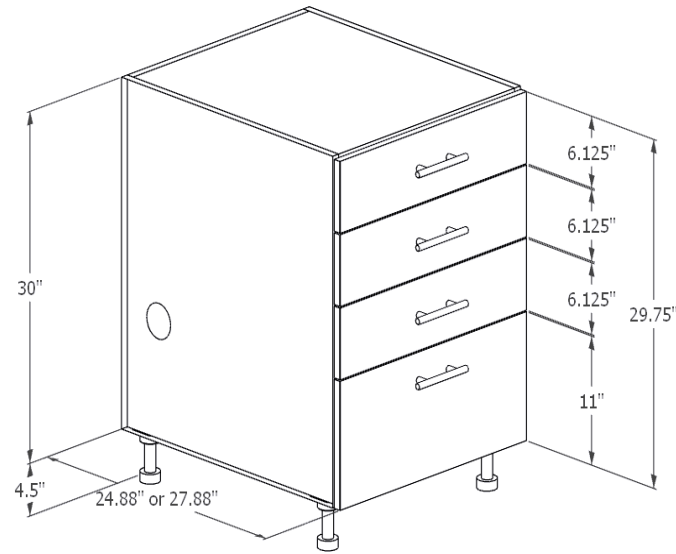
## Storage Base Cabinets - Multi-Drawer: OBMxx30 and OBMxx40

[\\*Return to Table of Contents](#)



| Product Description                   |               |
|---------------------------------------|---------------|
| OBMxx30: Multi-Drawer Base, 3 Drawers |               |
| 27" Depth SKU                         | 24" Depth SKU |
| OBM0930                               | OBM0930-24    |
| OBM1230                               | OBM1230-24    |
| OBM1530                               | OBM1530-24    |
| OBM1830                               | OBM1830-24    |
| OBM2130                               | OBM2130-24    |
| OBM2430                               | OBM2130-24    |
| OBM2730                               | OBM2730-24    |
| OBM3030                               | OBM3030-24    |
| OBM3330                               | OBM3330-24    |
| OBM3630                               | OBM3630-24    |

Note: Drawer glides are subject to change between 18" and 21" depth without notice based on supplier availability. The Dynapro2.0 glide max load weight is 90 lbs.

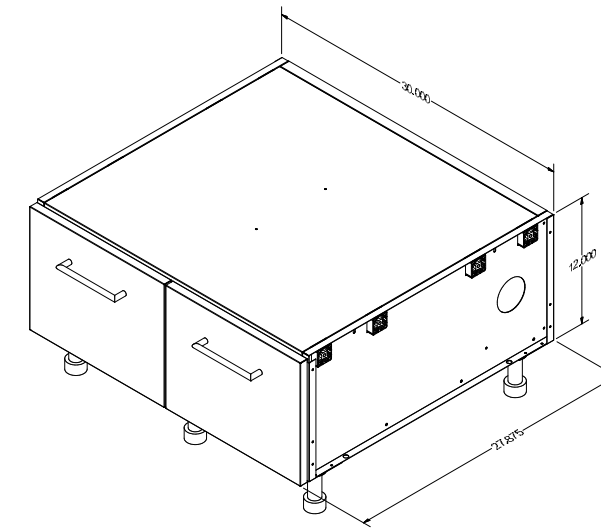


| Product Description                   |               |
|---------------------------------------|---------------|
| OBMxx40: Multi-Drawer Base, 4 Drawers |               |
| 27" Depth SKU                         | 24" Depth SKU |
| OBM0940                               | OBM0940-24    |
| OBM1240                               | OBM1240-24    |
| OBM1540                               | OBM1540-24    |
| OBM1840                               | OBM1840-24    |
| OBM2140                               | OBM2140-24    |
| OBM2440                               | OBM2440-24    |
| OBM2740                               | OBM2740-24    |
| OBM3040                               | OBM3040-24    |
| OBM3340                               | OBM3340-24    |
| OBM3640                               | OBM3640-24    |

Note: Drawer glides are subject to change between 18" and 21" depth without notice based on supplier availability. The Dynapro2.0 glide max load weight is 90 lbs.

## Storage Base Cabinets - Multi-Drawer Bench: OBMBHxx20 or 30

[\\*Return to Table of Contents](#)



OBMBH3020

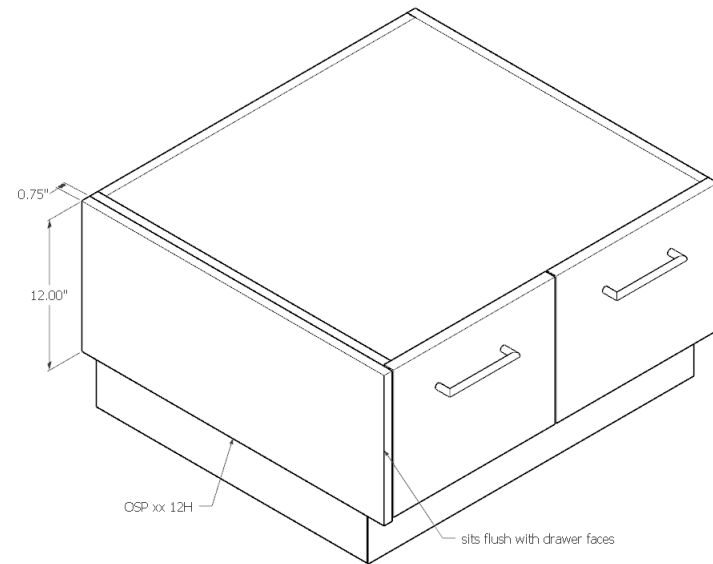
| Product Description  |               |
|--|---------------|
| OBMBHxxxx: Outdoor Base Multi-Drawer Bench Height, 2 Drawers. 12" box height, 16.5"H overall with legs set at 4.5". 4 extrusions on top for extra support. Can use Ceramic Egg on units. |               |
| 27" Depth SKU  | 24" Depth SKU |
| OBMBH3020  | OBMBH3020-24  |
| OBMBH3620  | OBMBH3620-24  |
| OBMBH4220  | OBMBH4220-24  |
| OBMBH4830  | OBMBH4830-24  |

Note: Drawer glides are subject to change between 18" and 21" depth without notice based on supplier availability. The Dynapro2.0 glide max load weight is 90 lbs.



## Multi-Drawer Bench - Side Panels: OSP xxL/R 12H

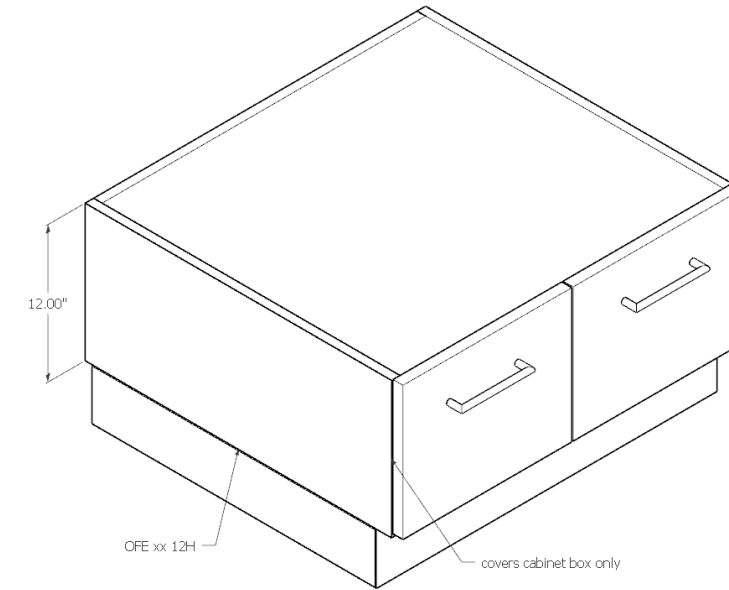
[\\*Return to Table of Contents](#)



| Product Description   |                              |
|---|------------------------------|
| OSP: 3/4" Thick side panels for base cabinets. Panels sit flush with door/drawer faces and back panels if used. Specify based on cabinet side and depth (select .75" deeper for use with back panels). 12"H for Bench Height bases. |                              |
| 24" Depth x 12" High SKU  |                              |
| OSP 24.88L 12H  |                              |
| OSP 24.88R 12H  |                              |
| OSP 25.63L 12H  | 24"D Cabinet with back panel |
| OSP 25.63R  | 24"D Cabinet with back panel |
| 27" Depth x 12" High SKU  |                              |
| OSP 27.88L 12H  |                              |
| OSP 27.88R 12H  |                              |
| OSP 28.63L 12H  | 27"D Cabinet with back panel |
| OSP 28.63R 12H  | 27"D Cabinet with back panel |

## Multi-Drawer Bench - Flush End Panels: OFE xxL/R 12H

[\\*Return to Table of Contents](#)

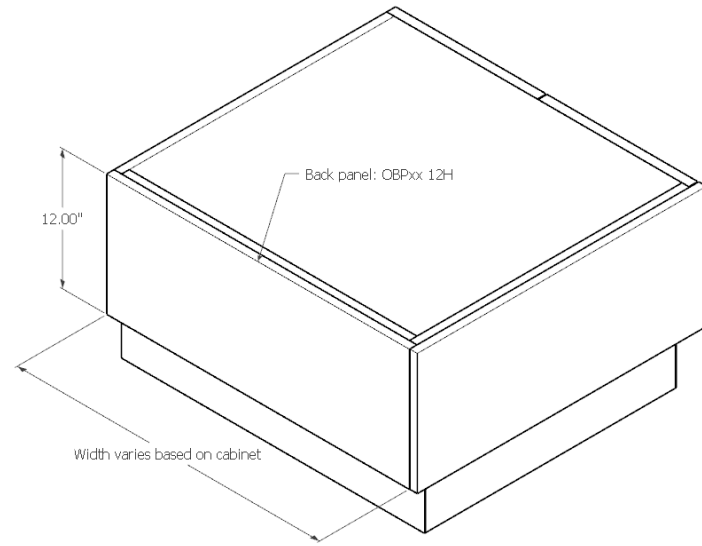


| Product Description  |               |
|--|---------------|
| OFE: Base bench cabinet flush end panel, 12"H. Sits flush to cabinet side, specify based on cabinet side and depth. No round access hole cutout or attachment holes for ORS. |               |
| 27" Depth SKU  | 24" Depth SKU |
| OFE 27L 12H  | OFE 24L 12H   |
| OFE 27R 12H  | OFE 24R 12H   |

| Product Description   |               |
|---|---------------|
| OFEFG: Base bench height cabinet galvanized flush end panel, 12"H. Sits flush in cabinet side, used to fill in cabinet side for adhering waterfall countertops and other materials. Specify based on cabinet depth. |               |
| 27" Depth SKU   | 24" Depth SKU |
| OFEFG27 12H   | OFEFG24 12H   |

## Multi-Drawer Bench - Back Panels: OBPxx 12H

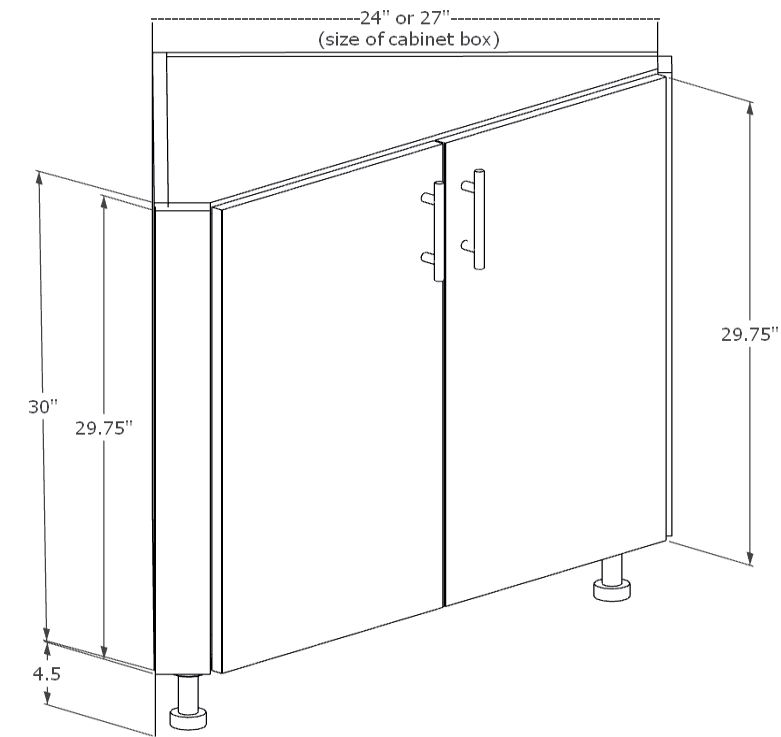
[\\*Return to Table of Contents](#)



| Product Description   |                      |
|---|----------------------|
| OBP: 3/4" Thick back panel 12" high, fits exact width of Bench Height cabinet up to 42"W, wider cabinets use two smaller back panels. (Example: OBMBH4203 uses two 21"W back panels). |                      |
| SKU   | Description          |
| OBP21 12H   | 21" back panel, 12"H |
| OBP24 12H   | 24" back panel, 12"H |
| OBP30 12H   | 30" back panel, 12"H |
| OBP36 12H   | 36" back panel, 12"H |

## Corner Base Cabinets - Angle End: AEBxx02

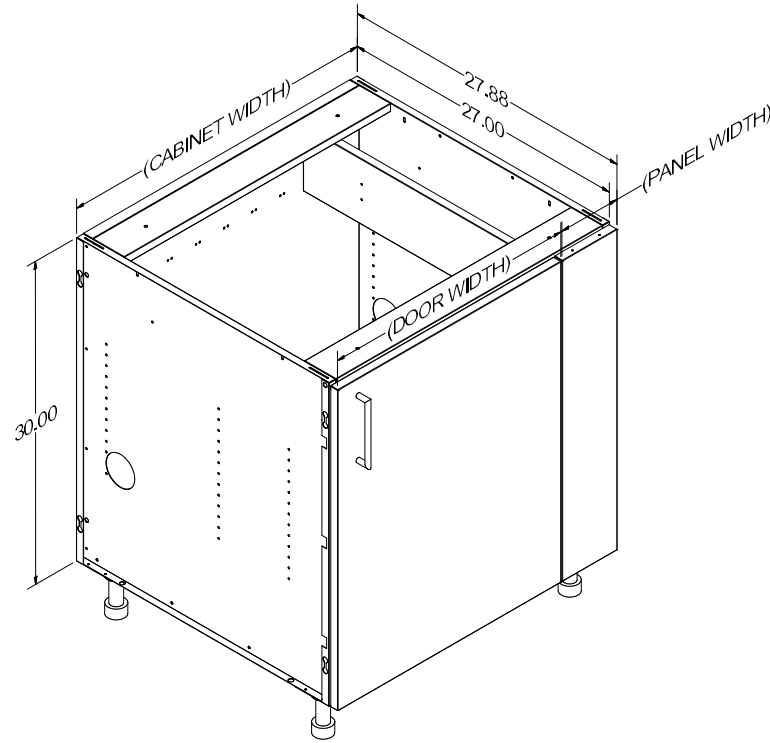
[\\*Return to Table of Contents](#)



| Product Description  |               |
|--|---------------|
| AEBxx02: Angle End Corner Base, 2 Doors. Includes half-depth shelf.<br>NOTE: 27" cabinets door width 16.81"<br>24" cabinet door width 14.69" |               |
| 27" Depth SKU  | 24" Depth SKU |
| AEB2702  | AEB2402       |

# Corner Base Cabinets - Blind Corner Base: BCBxx01

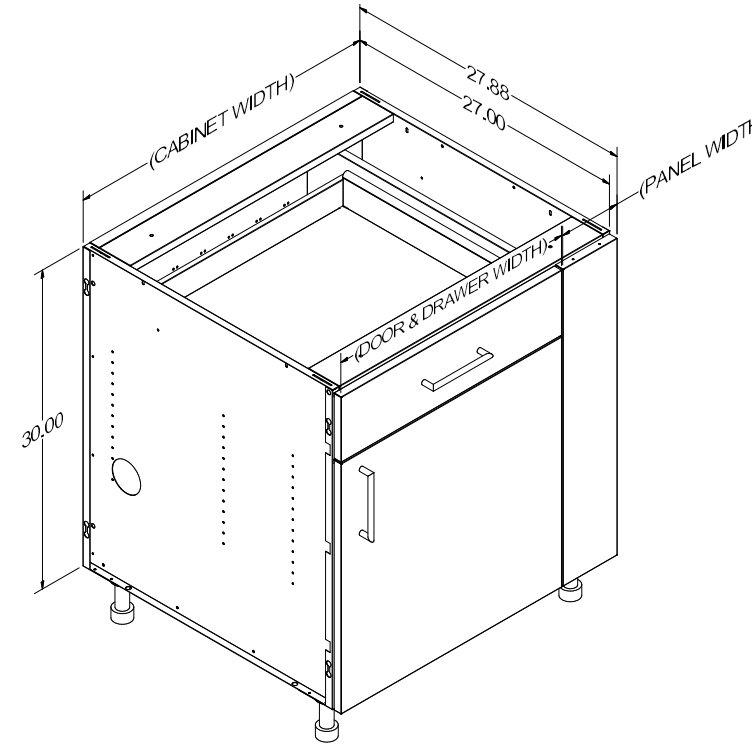
[\\*Return to Table of Contents](#)



| Product Description  |               |
|--|---------------|
| BCBxx01: Blind Corner Base, 1 door. *MUST SPECIFY DOOR PLACEMENT, DOOR WIDTH, & PANEL WIDTH IN PART NOTES, SEE SIZING MATRIX!* Example on left shows a BCB4801-LH with a 18" wide door and 30" wide panel. |               |
| NOTE: 27" cabinets come with half-depth shelf, 24" cabinets come with full-depth shelf.  |               |
| 27" Depth SKU  | 24" Depth SKU |
| BCB3001-LH   | BCB3001-24-LH |
| BCB3001-RH   | BCB3001-24-RH |
| BCB3601-LH   | BCB3601-24-LH |
| BCB3601-RH   | BCB3601-24-RH |
| BCB4201-LH   | BCB4201-24-LH |
| BCB4201-RH   | BCB4201-24-RH |
| BCB4501-LH   | BCB4501-24-LH |
| BCB4501-RH   | BCB4501-24-RH |
| BCB4801-LH   | BCB4801-24-LH |
| BCB4801-RH   | BCB4801-24-RH |

# Corner Base Cabinets - Blind Corner Base: BCBxx11

[\\*Return to Table of Contents](#)



| Product Description   |               |
|---|---------------|
| BCBxx11: Blind Corner Base, 1 drawer, 1 door. *MUST SPECIFY DOOR PLACEMENT, DOOR WIDTH, & PANEL WIDTH IN PART NOTES, SEE SIZING MATRIX!* Example on left shows a BCB4811-LH with a 18" wide drawer/door and 30" wide panel. |               |
| NOTE: 27" cabinets come with half-depth shelf, 24" cabinets come with full-depth shelf.   |               |
| 27" Depth SKU   | 24" Depth SKU |
| BCB3011-LH  | BCB3011-24-LH |
| BCB3011-RH  | BCB3011-24-RH |
| BCB3611-LH  | BCB3611-24-LH |
| BCB3611-RH  | BCB3611-24-RH |
| BCB4211-LH  | BCB4211-24-LH |
| BCB4211-RH  | BCB4211-24-RH |
| BCB4511-LH  | BCB4511-24-LH |
| BCB4511-RH  | BCB4511-24-RH |
| BCB4811-LH  | BCB4811-24-LH |
| BCB4811-RH  | BCB4811-24-RH |

**Blind Corner Base Matrix: Panel Width in bold, Door Width in center**

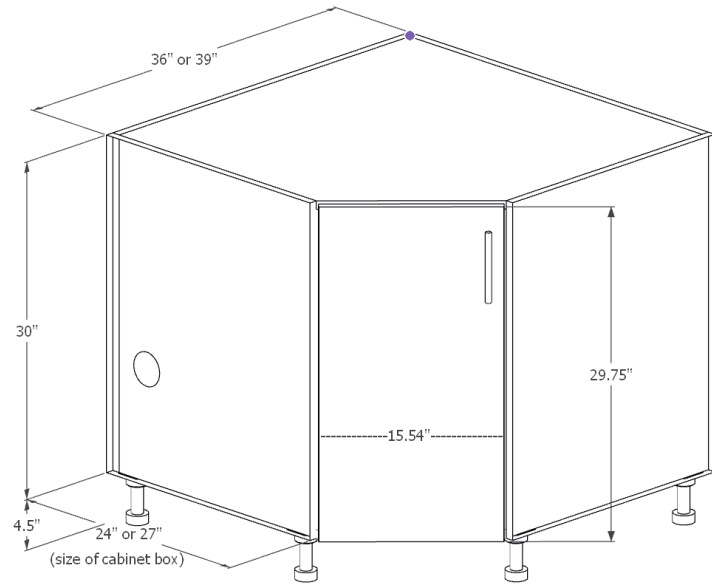
|           |          |          |           |           |           |           |           |           |           |           |           |           |
|-----------|----------|----------|-----------|-----------|-----------|-----------|-----------|-----------|-----------|-----------|-----------|-----------|
|           | <b>6</b> | <b>9</b> | <b>12</b> | <b>15</b> | <b>18</b> | <b>21</b> | <b>24</b> | <b>27</b> | <b>30</b> | <b>33</b> | <b>36</b> | <b>39</b> |
| <b>30</b> | 24       | 21       | 18        | 15        | 12        | 9         |           |           |           |           |           |           |
| <b>33</b> |          | 24       | 21        | 18        | 15        | 12        | 9         |           |           |           |           |           |
| <b>36</b> |          |          | 24        | 21        | 18        | 15        | 12        | 9         |           |           |           |           |
| <b>39</b> |          |          |           | 24        | 21        | 18        | 15        | 12        | 9         |           |           |           |
| <b>42</b> |          |          |           |           | 24        | 21        | 18        | 15        | 12        | 9         |           |           |
| <b>45</b> |          |          |           |           |           | 24        | 21        | 18        | 15        | 12        | 9         |           |
| <b>48</b> |          |          |           |           |           |           | 24        | 21        | 18        | 15        | 12        | 9         |

**Blind Corner Base Matrix: Panel Width in bold, Door Width in center**

|           |          |          |           |           |           |           |           |           |           |           |           |           |
|-----------|----------|----------|-----------|-----------|-----------|-----------|-----------|-----------|-----------|-----------|-----------|-----------|
|           | <b>6</b> | <b>9</b> | <b>12</b> | <b>15</b> | <b>18</b> | <b>21</b> | <b>24</b> | <b>27</b> | <b>30</b> | <b>33</b> | <b>36</b> | <b>39</b> |
| <b>30</b> | 24       | 21       | 18        | 15        | 12        | 9         |           |           |           |           |           |           |
| <b>33</b> |          | 24       | 21        | 18        | 15        | 12        | 9         |           |           |           |           |           |
| <b>36</b> |          |          | 24        | 21        | 18        | 15        | 12        | 9         |           |           |           |           |
| <b>39</b> |          |          |           | 24        | 21        | 18        | 15        | 12        | 9         |           |           |           |
| <b>42</b> |          |          |           |           | 24        | 21        | 18        | 15        | 12        | 9         |           |           |
| <b>45</b> |          |          |           |           |           | 24        | 21        | 18        | 15        | 12        | 9         |           |
| <b>48</b> |          |          |           |           |           |           | 24        | 21        | 18        | 15        | 12        | 9         |

# Corner Base Cabinets - Diagonal Corner: DCBxx

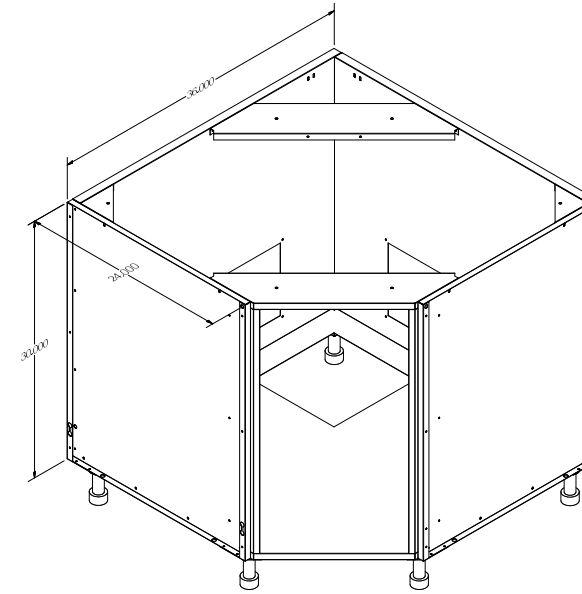
[\\*Return to Table of Contents](#)



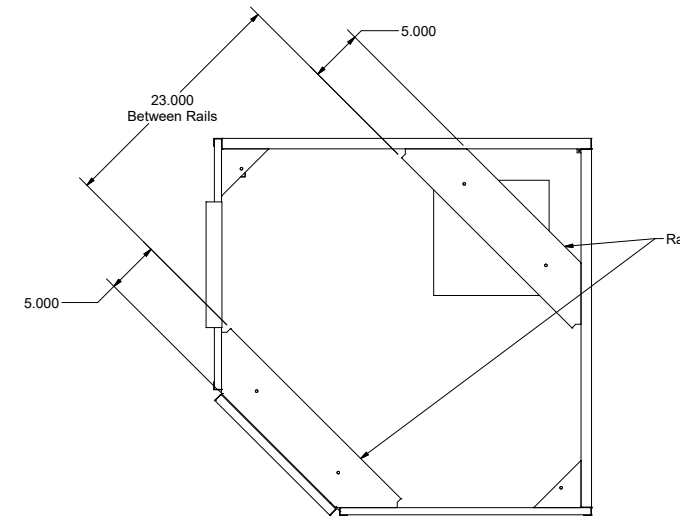
| Product Description   |               |
|---|---------------|
| DCBxx: Diagonal Corner Base, 1 Door. Includes full-depth shelf. DCB39 matches cabinets of 27" depth, DCB36 matches cabinets of 24" depth. Note: 1" wide or greater front fillers are recommended on either side of cabinet for clearance. |               |
| 27" Depth SKU   | 24" Depth SKU |
| DCB39-LH  | DCB36-LH      |
| DCB39-RH  | DCB36-RH      |

# Corner Base Cabinets - Diagonal Corner Sink Base: DCBSxx

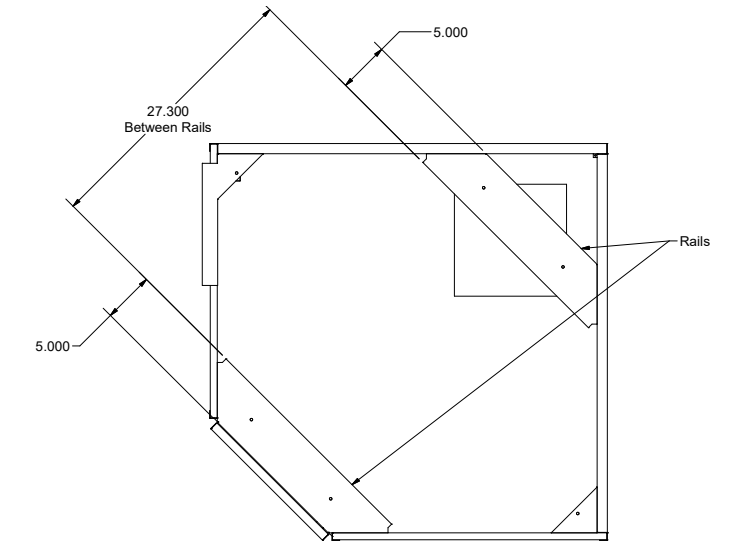
[\\*Return to Table of Contents](#)



| Product Description  |               |
|--|---------------|
| DCBSxx: Diagonal Corner Sink Base, 1 Door. DCBS39 matches cabinets of 27" depth, DCBS36 matches cabinets of 24" depth. Note: 1" wide or greater front fillers are recommended on either side of cabinet for clearance. |               |
| 27" Depth SKU  | 24" Depth SKU |
| DCBS39-LH  | DCBS36-LH     |
| DCBS39-RH  | DCBS36-RH     |



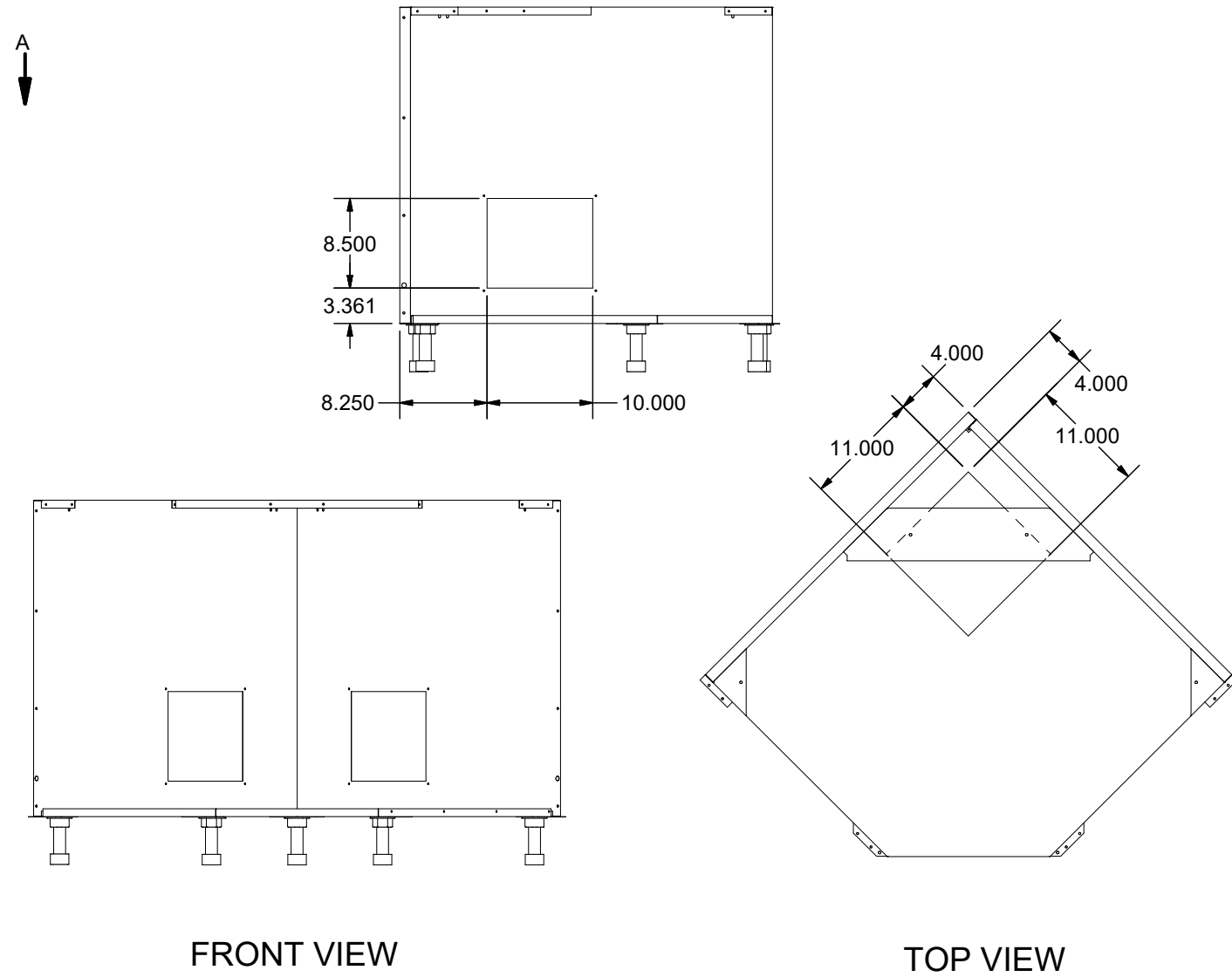
DCBS36 Cabinet Sink Spacing



DCBS39 Cabinet Sink Spacing

# Corner Base Cabinets - Diagonal Corner Sink Base: DCBSxx

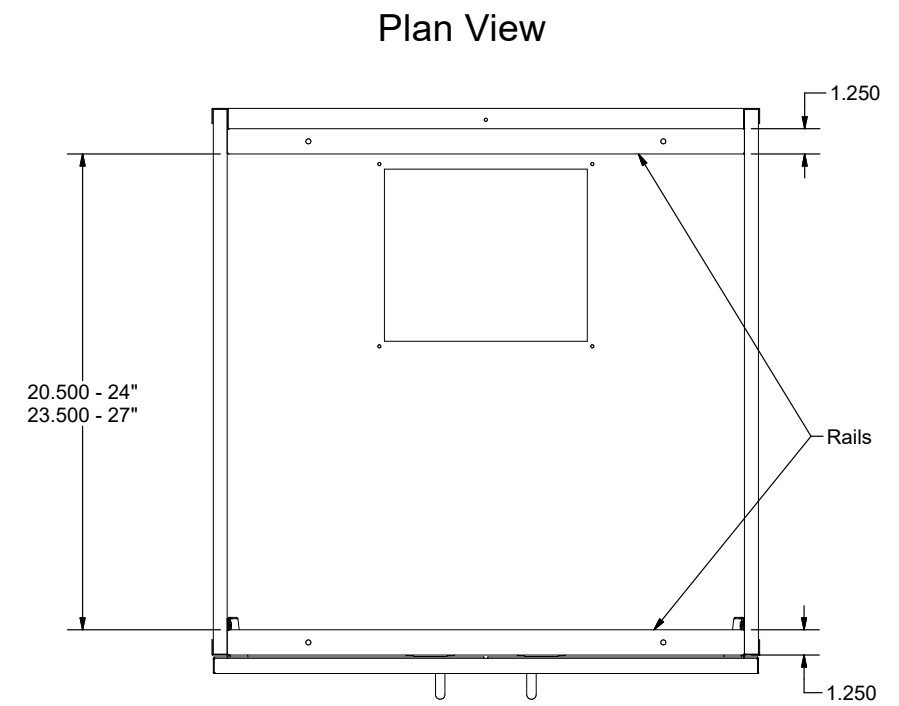
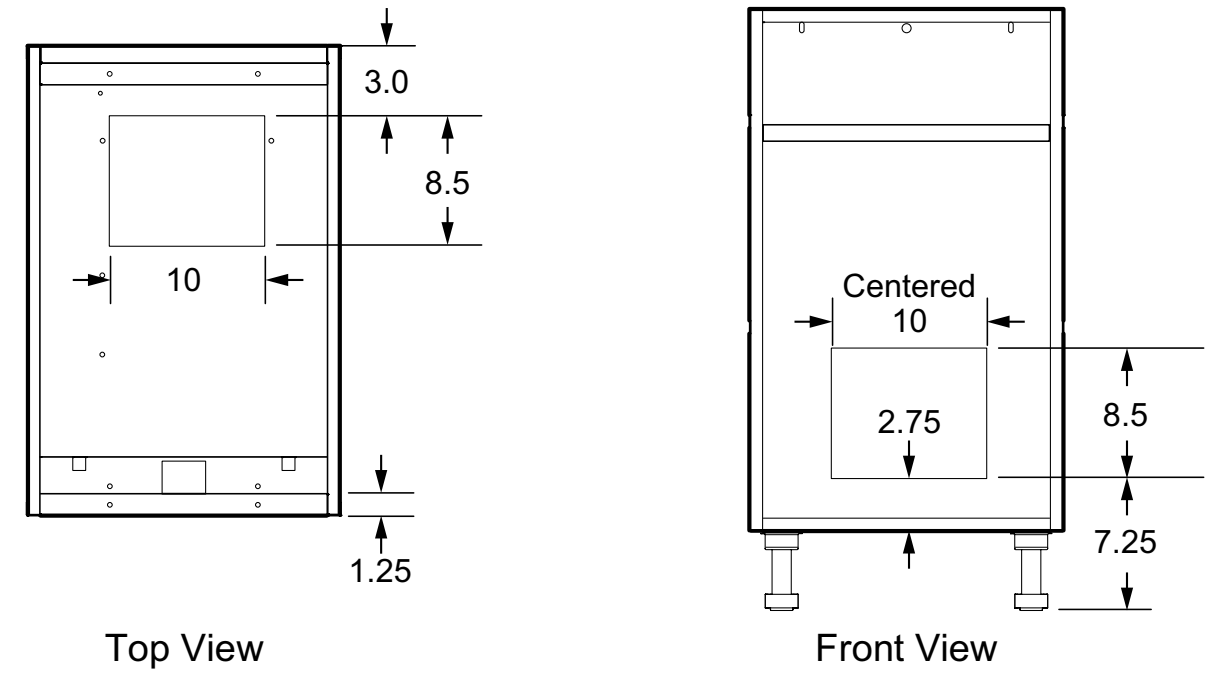
[\\*Return to Table of Contents](#)



# Sink Base Cabinets - OBSxxxx cutouts

[\\*Return to Table of Contents](#)

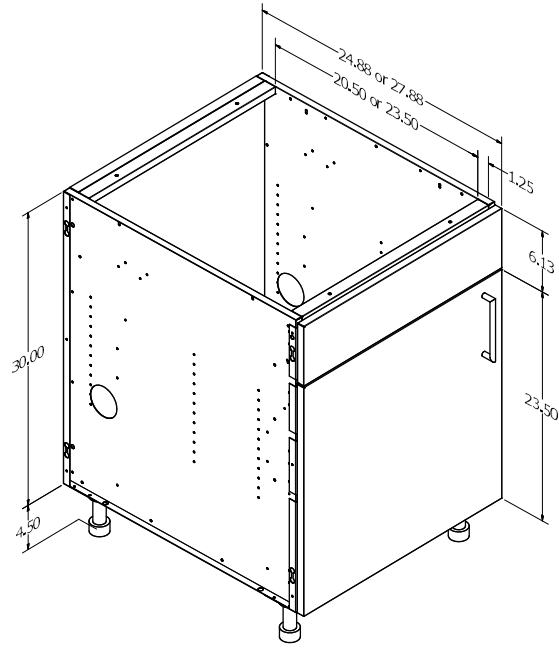
All OBS (Sink Base Cabinets) have pre-cut openings in the rear and bottom panels as well as standard side openings for plumbing and electrical conduit. Cabinet comes with two (2) opening covers.



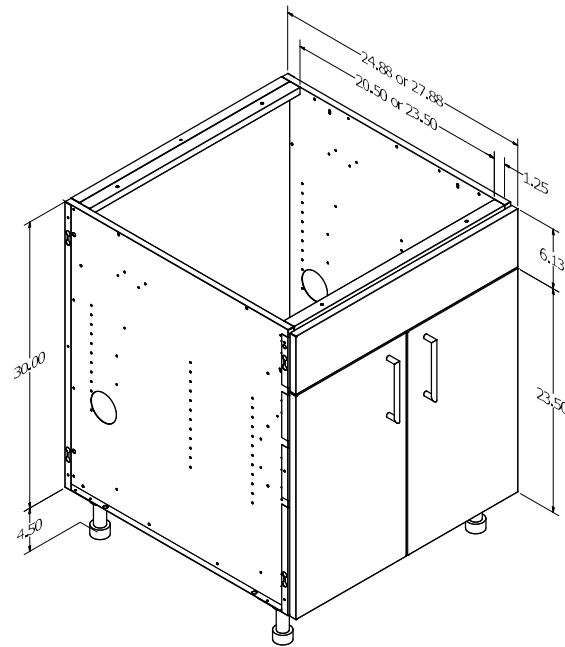
OBS Cabinet 24"/27" Depth  
Sink Spacing

## Sink Base Cabinets - False Front: OBSxx01, OBSxx02

[\\*Return to Table of Contents](#)



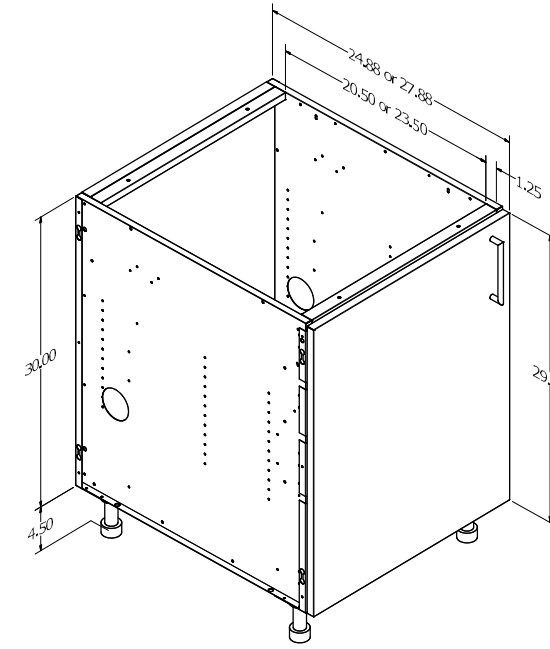
| Product Description                                     |               |
|---|---------------|
| OBSxx01: Outdoor Sink Base, false Drawer front, 1 Door. |               |
| 27" Depth SKU   | 24" Depth SKU |
| OBS1201-LH  | OBS1201-24-LH |
| OBS1201-RH  | OBS1201-24-RH |
| OBS1501-LH  | OBS1501-24-LH |
| OBS1501-RH  | OBS1501-24-RH |
| OBS1801-LH  | OBS1801-24-LH |
| OBS1801-RH  | OBS1801-24-RH |
| OBS2101-LH  | OBS2101-24-LH |
| OBS2101-RH  | OBS2101-24-RH |
| OBS2401-LH  | OBS2401-24-LH |
| OBS2401-RH  | OBS2401-24-RH |



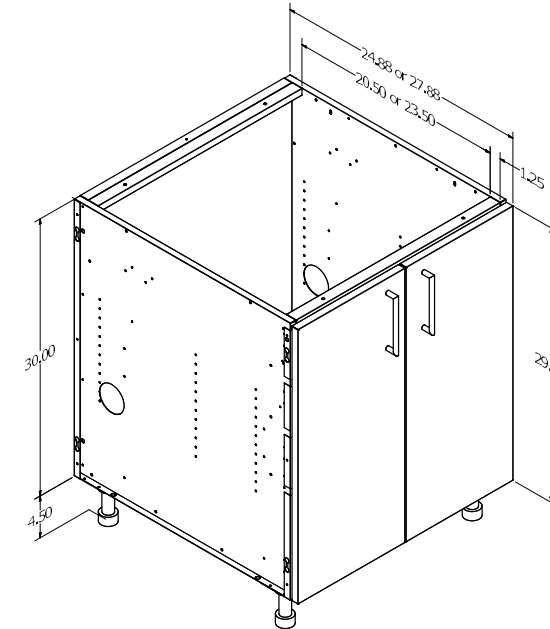
| Product Description                                      |               |
|--|---------------|
| OBSxx02: Outdoor Sink Base, false Drawer front, 2 Doors. |               |
| 27" Depth SKU  | 24" Depth SKU |
| OBS2402  | OBS2402-24    |
| OBS2702  | OBS2702-24    |
| OBS3002  | OBS3002-24    |
| OBS3302  | OBS3302-24    |
| OBS3602  | OBS3602-24    |
| OBS3902  | OBS3902-24    |
| OBS4202  | OBS4202-24    |
| OBS4502  | OBS4502-24    |
| OBS4802  | OBS4802-24    |

## Sink Base Cabinets - Full-Height Door: OBSxxxx-FHD

[\\*Return to Table of Contents](#)



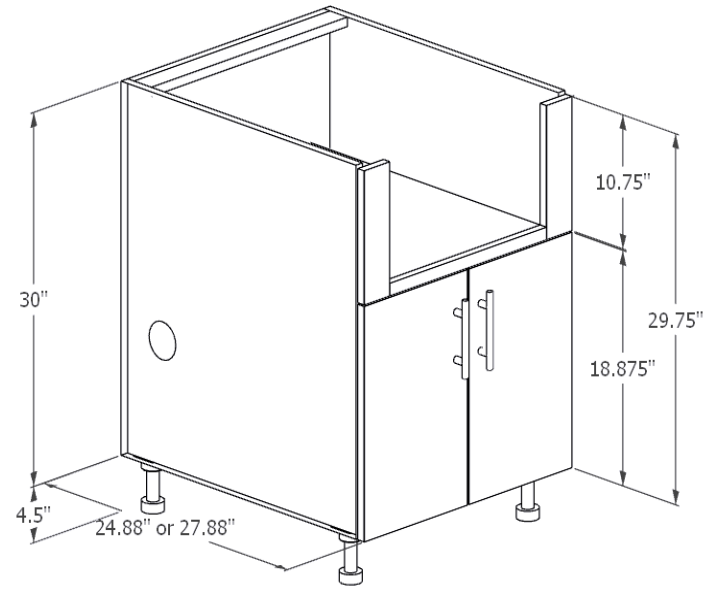
| Product Description                                |                   |
|--|-------------------|
| OBSxx01-FHD: Outdoor Sink Base, 1 Full-Height Door |                   |
| 27" Depth SKU                                      | 24" Depth SKU     |
| OBS1201-FHD-LH                                     | OBS1201-24-FHD-LH |
| OBS1201-FHD-RH                                     | OBS1201-24-FHD-RH |
| OBS1501-FHD-LH                                     | OBS1501-24-FHD-LH |
| OBS1501-FHD-RH                                     | OBS1501-24-FHD-RH |
| OBS1801-FHD-LH                                     | OBS1801-24-FHD-LH |
| OBS1801-FHD-RH                                     | OBS1801-24-FHD-RH |
| OBS2101-FHD-LH                                     | OBS2101-24-FHD-LH |
| OBS2101-FHD-RH                                     | OBS2101-24-FHD-RH |
| OBS2401-FHD-LH                                     | OBS2401-24-FHD-LH |
| OBS2401-FHD-RH                                     | OBS2401-24-FHD-RH |



| Product Description                                 |                |
|---|----------------|
| OBSxx02-FHD: Outdoor Sink Base, 2 Full-Height Doors |                |
| 27" Depth SKU                                       | 24" Depth SKU  |
| OBS2402-FHD   | OBS2402-24-FHD |
| OBS2702-FHD   | OBS2702-24-FHD |
| OBS3002-FHD   | OBS3002-24-FHD |
| OBS3302-FHD   | OBS3302-24-FHD |
| OBS3602-FHD   | OBS3602-24-FHD |
| OBS3902-FHD   | OBS3902-24-FHD |
| OBS4202-FHD   | OBS4202-24-FHD |
| OBS4502-FHD   | OBS4502-24-FHD |
| OBS4802-FHD   | OBS4802-24-FHD |

# Sink Base Cabinets - Farm Sink Bases: OBSxxxxH11-FARM

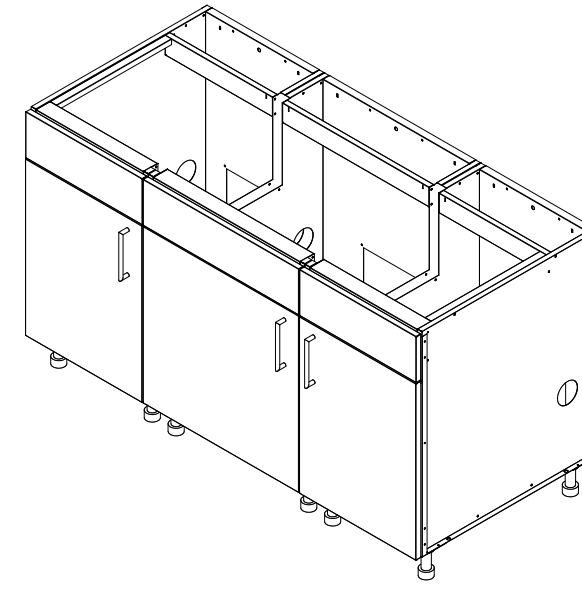
[\\*Return to Table of Contents](#)



| Product Description  |                       |
|--|-----------------------|
| OBSxx02H11-FARM: Outdoor Sink Base for Farm/Apron sinks, 2 Full height doors (1 door available for 24"W), specify sink for trim kit. |                       |
| NOTE: Trim Kit does not include sink support brackets  |                       |
| 27" Depth SKU  | 24" Depth SKU         |
| OBS2401H11-FARM-LH   | OBS2401H11-24-FARM-LH |
| OBS2401H11-FARM-RH   | OBS2401H11-24-FARM-RH |
| OBS2402H11-FARM  | OBS2402H11-24-FARM    |
| OBS2702H11-FARM  | OBS2702H11-24-FARM    |
| OBS3002H11-FARM  | OBS3002H11-24-FARM    |
| OBS3302H11-FARM  | OBS3302H11-24-FARM    |
| OBS3602H11-FARM  | OBS3602H11-24-FARM    |
| OBS3902H11-FARM  | OBS3902H11-24-FARM    |
| OBS4202H11-FARM  | OBS4202H11-24-FARM    |
| OBS4502H11-FARM  | OBS4502H11-24-FARM    |
| OBS4802H11-FARM  | OBS4802H11-24-FARM    |

# Sink Base Cabinets - Galley Sink Bases: OBSxxxx GALLEY

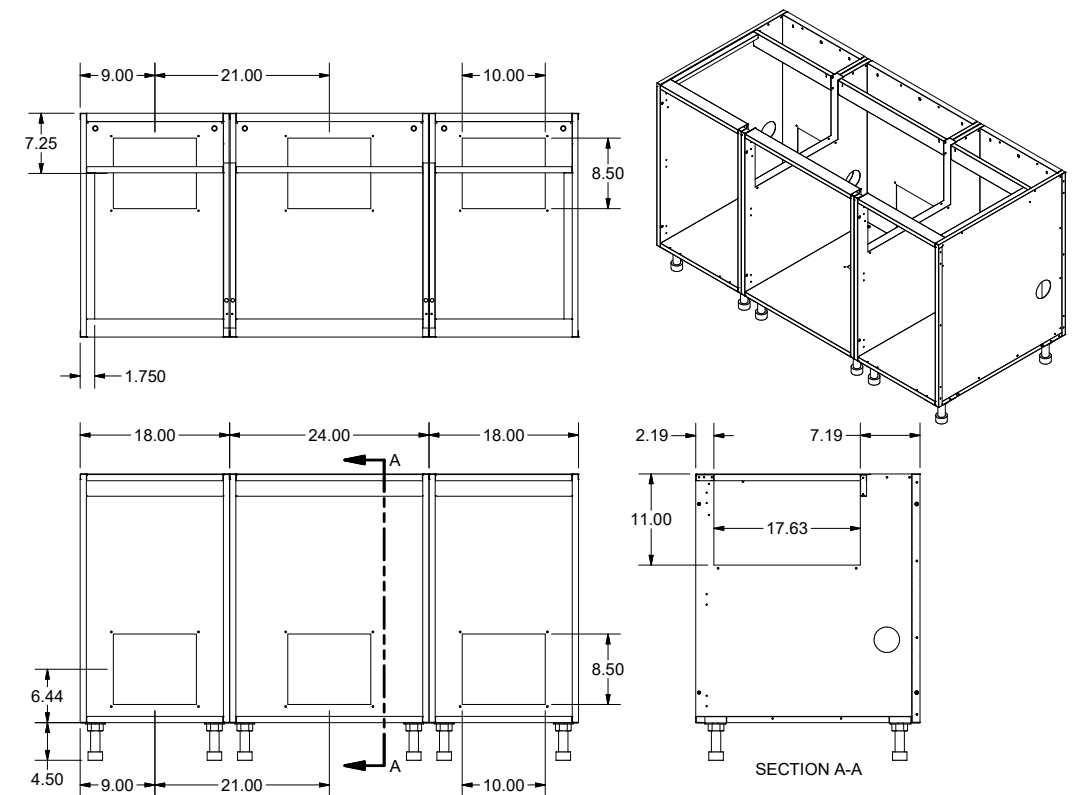
[\\*Return to Table of Contents](#)



Note: 3 doors (not shown) may be hinged in any combination.

| Product Description   |                       |
|---|-----------------------|
| OBSxx0y Galley: Outdoor Sink Base for Galley Sinks only. Consists of multiple smaller sink bases with cutouts to support Galley Sinks. Either made with False Front or Full Height Door (-FHD). *See table below for cabinet and back panel configuration.* |                       |
| 27" Depth SKU   | 24" Depth SKU         |
| OBS3002 GALLEY  | OBS3002-24 GALLEY     |
| OBS3602 GALLEY  | OBS3602-24 GALLEY     |
| OBS4802 GALLEY  | OBS4802-24 GALLEY     |
| OBS6003 GALLEY  | OBS6003-24 GALLEY     |
| OBS3002-FHD GALLEY  | OBS3002-24-FHD GALLEY |
| OBS3602-FHD GALLEY  | OBS3602-24-FHD GALLEY |
| OBS4802-FHD GALLEY  | OBS4802-24-FHD GALLEY |
| OBS6003-FHD GALLEY  | OBS6003-24-FHD GALLEY |
| OBS7203-FHD GALLEY  | OBS7203-24-FHD GALLEY |
| OBS8404-FHD GALLEY  | OBS8404-24-FHD GALLEY |

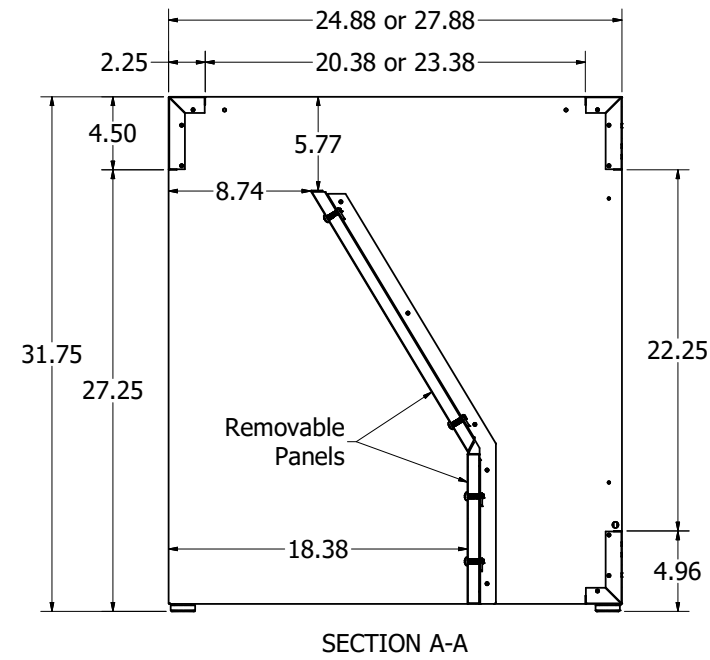
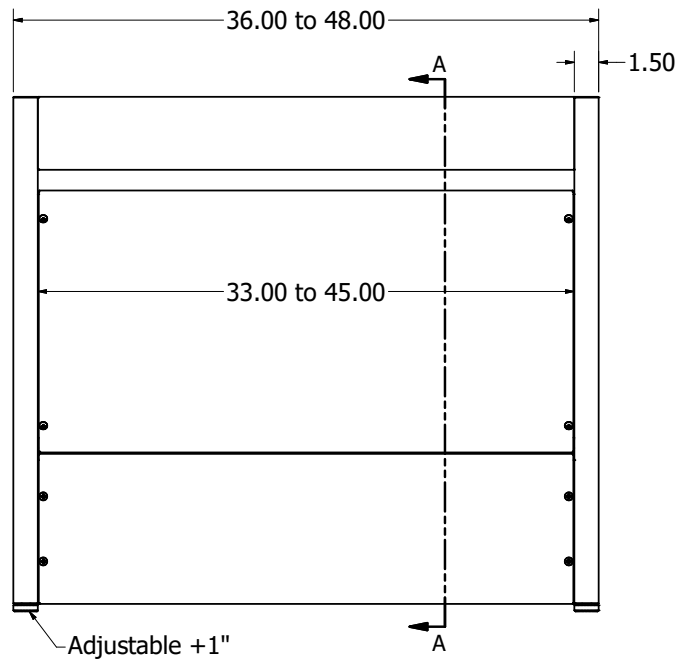
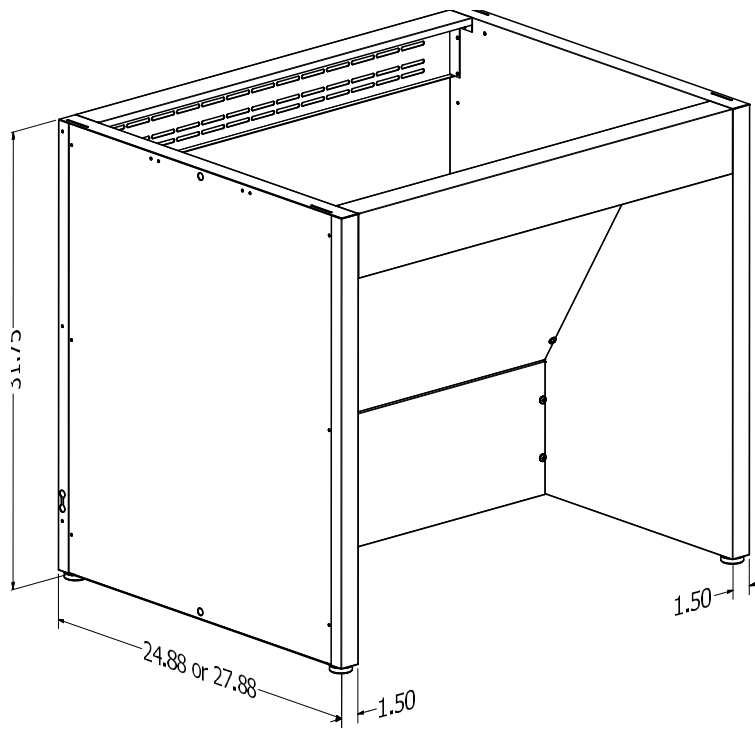
| Galley OBP SKU   | Cabinet/OBP Configuration     |
|------------------|-------------------------------|
| OBS3002 GALLEY   | 1-30" cabinet, OBP30          |
| OBS3602 GALLEY   | 1-36" cabinet, OBP36          |
| OBS4802 GALLEY   | 2-24" cabinets, 2-OBP24       |
| OBS6003 GALLEY   | 2-18" cabinets, 1-24" cabinet |
| OBP60GALLEYBPKIT | 2-OBP18, 1-OBP24              |
| OBP72GALLEYBPKIT | 3-24" cabinets, 3-OBP24       |
| OBP84GALLEYBPKIT | 4-21" cabinets, 4-OBP21       |



# Sink Base Cabinets - OBSxx00 ADA

[\\*Return to Table of Contents](#)

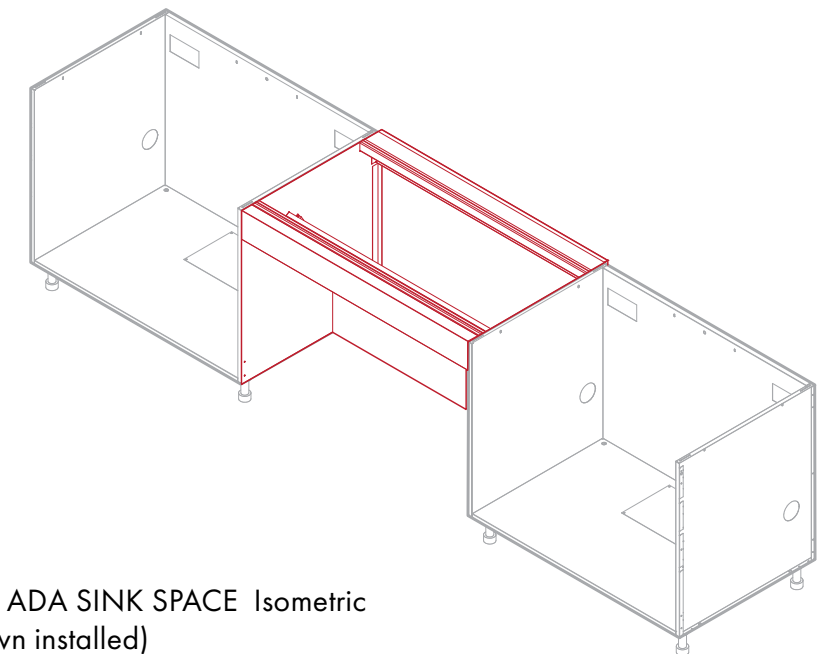
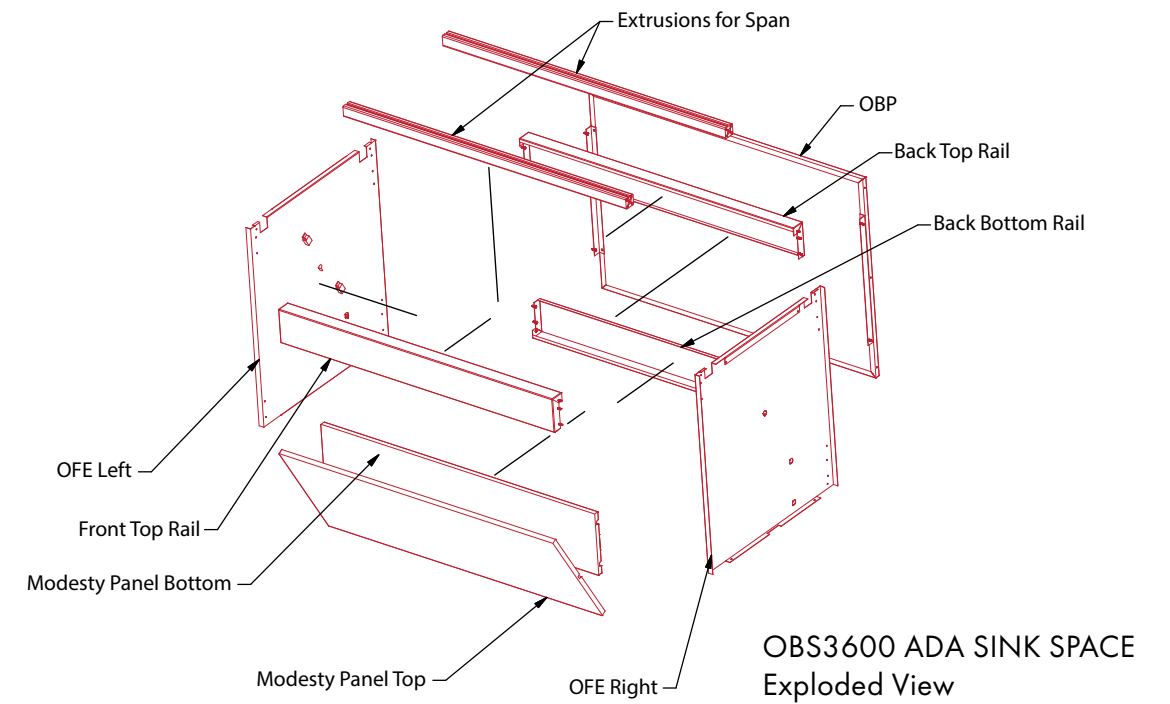
| Product Description   |                |
|---|----------------|
| OBSxx00 ADA: Outdoor ADA Sink Base, no doors, removable modesty panel, 32.25" total height for ADA compliance. Glides on bottom adjustable up to 1"H. |                |
| 27" Depth SKU   | 24" Depth SKU  |
| OBS3600 ADA   | OBS3600-24 ADA |
| OBS3900 ADA   | OBS3900-24 ADA |
| OBS4200 ADA   | OBS4200-24 ADA |
| OBS4500 ADA   | OBS4500-24 ADA |
| OBS4800 ADA   | OBS4800-24 ADA |



# Sink Base Cabinets - Sink Space: OBSxx00 ADA SINK SPACE

[\\*Return to Table of Contents](#)

| Product Description   |                           |
|---|---------------------------|
| OBSxx00 ADA SINK SPACE: ADA compliant Sink Base/Workstation, no doors. Consists of side panels, extrusions, and front/back rails with modesty panel. Attaches directly to adjacent cabinets, no leveling legs needed. |                           |
| 27" Depth SKU   | 24" Depth SKU             |
| OBS3600 ADA SINK SPACE  | OBS3600-24 ADA SINK SPACE |
| OBS3900 ADA SINK SPACE  | OBS3900-24 ADA SINK SPACE |
| OBS4200 ADA SINK SPACE  | OBS4200-24 ADA SINK SPACE |
| OBS4500 ADA SINK SPACE  | OBS4500-24 ADA SINK SPACE |
| OBS4800 ADA SINK SPACE  | OBS4800-24 ADA SINK SPACE |



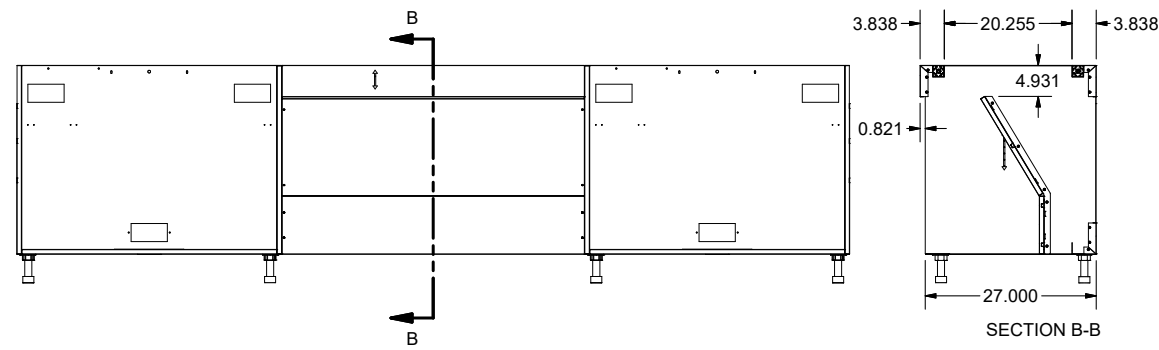
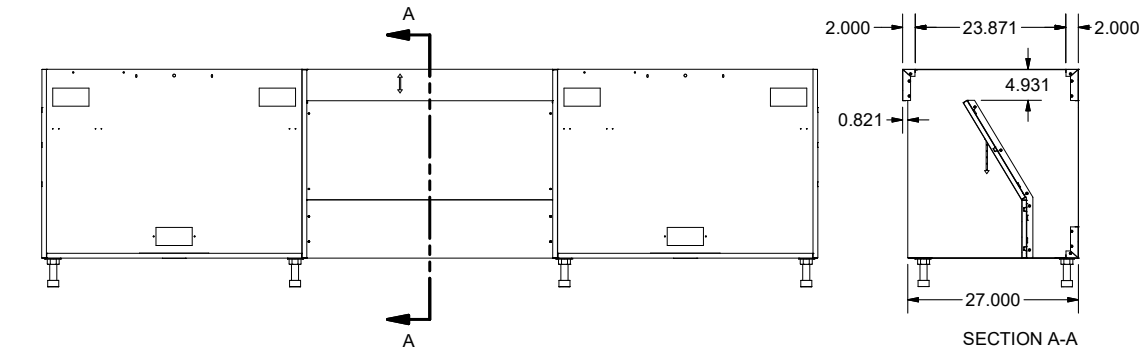
OBS3600 ADA SINK SPACE Isometric View (shown installed)



# Sink Base Cabinets - ADA Sink Space

[\\*Return to Table of Contents](#)

## ADA Sink Space 36-39-42-45

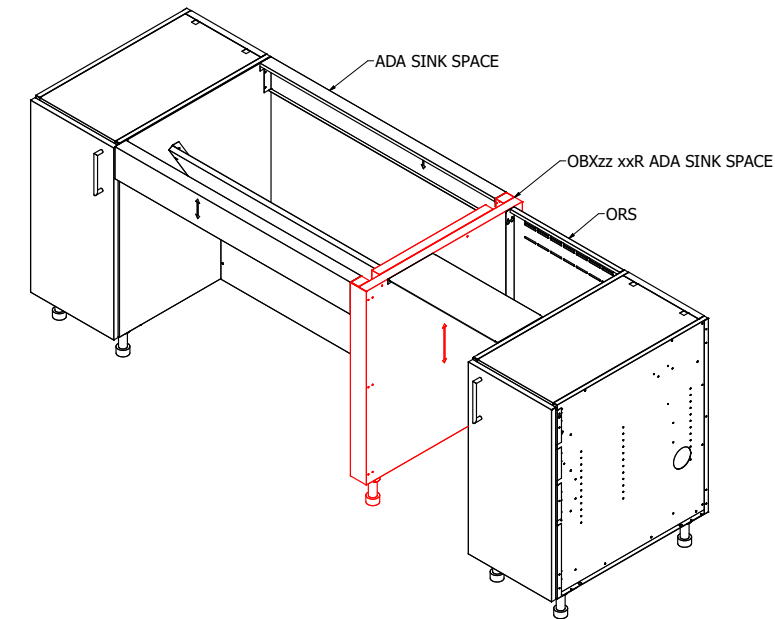
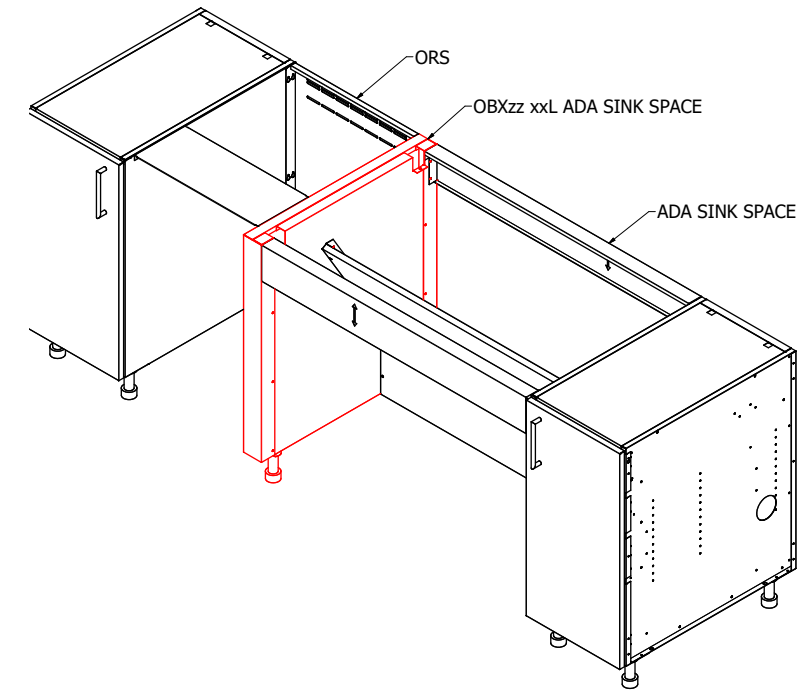


## ADA Sink Space 48-60

OBSxx00 ADA SINK SPACE configuration variations

# Sink Base Cabinets - OBXzz xxL/R ADA SINK SPACE

[\\*Return to Table of Contents](#)



### Product Description

OBXzz.zz x.xx(L or R) ADA SINK SPACE: Column for countertop support for the middle of a run with an ADA Sink Space. Comes in one standard width and four standard depths to match cabinets with or without back panels. Comes with two adjustable legs to match those on cabinetry.

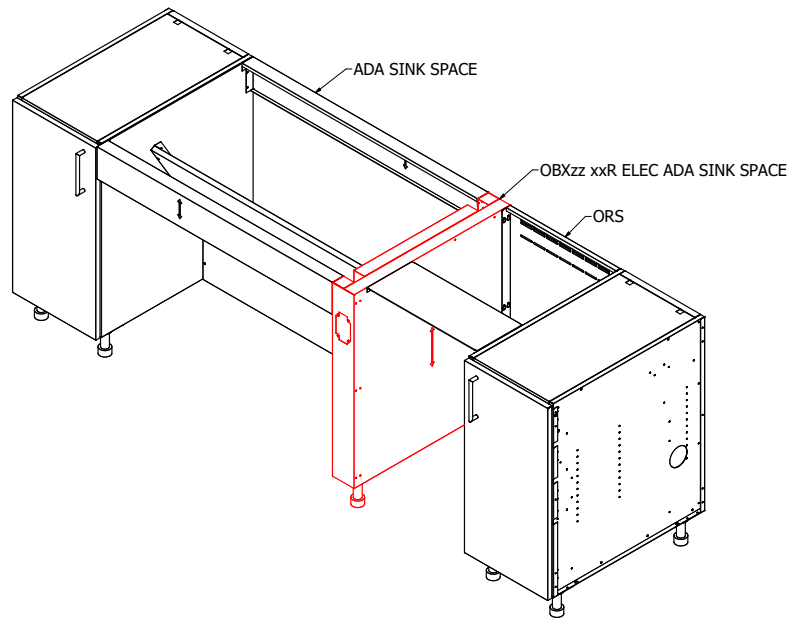
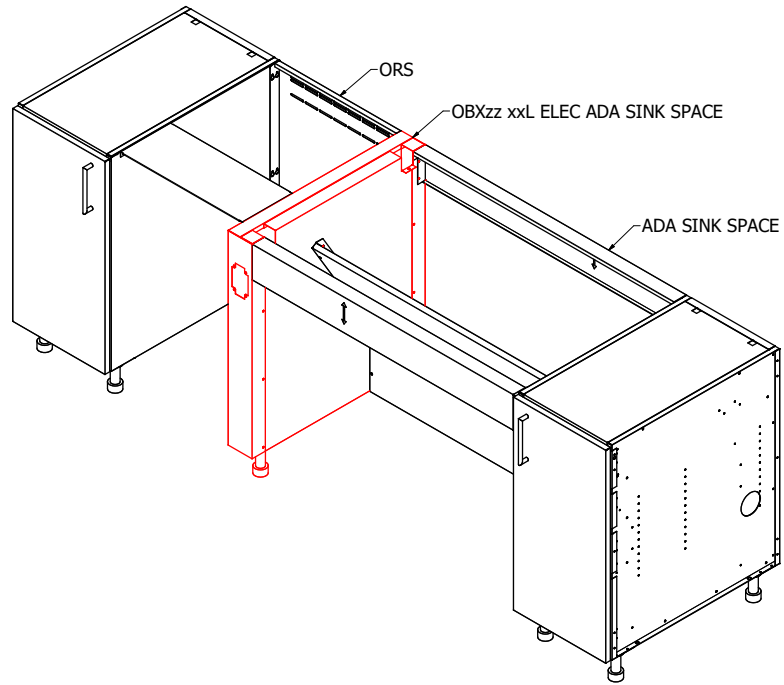
OBXzz.zz x.xx ADA SINK SPACE Column - 24-7/8" - 25-5/8" Deep x 30" Tall x 3-7/8" Wide (includes 2 legs). CANNOT USE TAPERED SSLEG!

### SKU

|                               |
|-------------------------------|
| OBX24.88 3.88L ADA SINK SPACE |
| OBX24.88 3.88R ADA SINK SPACE |
| OBX25.63 3.88L ADA SINK SPACE |
| OBX25.63 3.88R ADA SINK SPACE |
| OBX27.88 3.88L ADA SINK SPACE |
| OBX27.88 3.88R ADA SINK SPACE |
| OBX28.63 3.88L ADA SINK SPACE |
| OBX28.63 3.88R ADA SINK SPACE |

# Sink Base Cabinets - OBXzz xxL/R ELEC ADA SINK SPACE

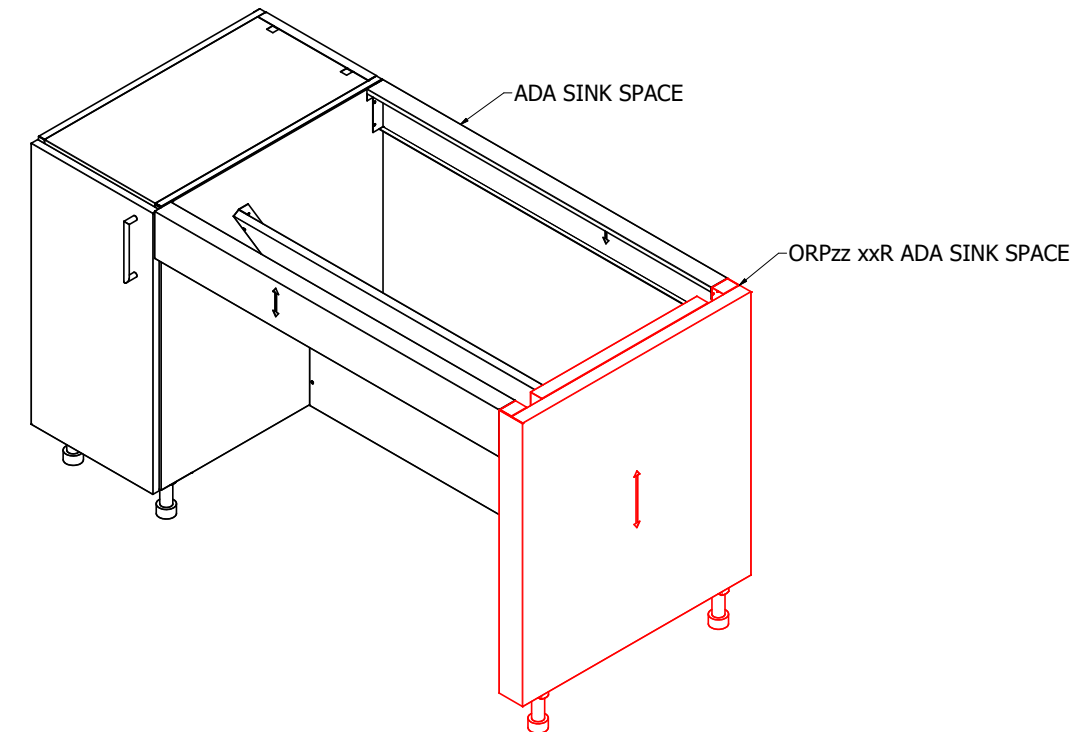
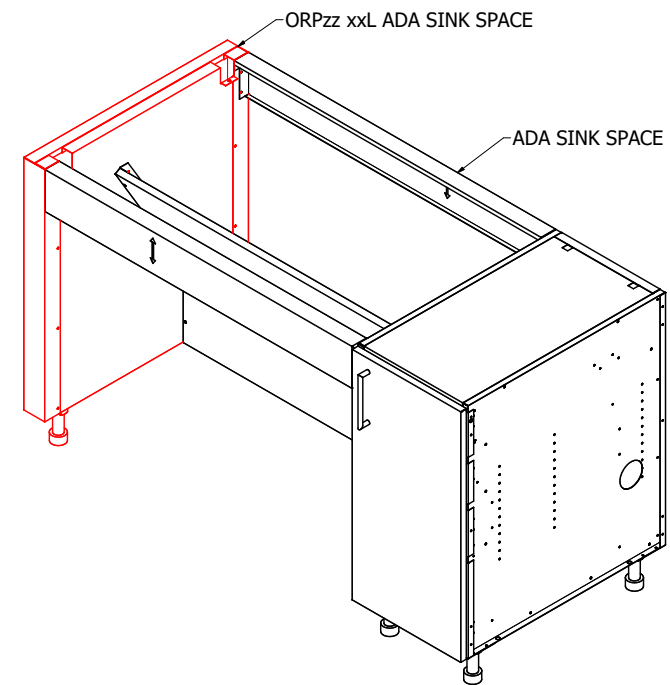
[\\*Return to Table of Contents](#)



| Product Description   |
|---|
| OBXzz.zz x.xx(L or R) ELEC ADA SINK SPACE: Column for countertop support for the middle of a run with an ADA Sink Space. Includes a standard GFCI electrical cutout located 4" down from the top of the column and centered on front. Comes in one standard width and four standard depths to match cabinets with or without back panels. Comes with two adjustable legs to match those on cabinetry. |
| OBXzz.zz x.xx ELEC ADA SINK SPACE Column with cutout for standard GFCI outlet - 24-7/8" - 25-5/8" Deep x 30" Tall x 3-7/8" Wide (includes 2 legs). GFCI cutout is located 4" down from the top and centered on the front of column. CANNOT USE TAPERED SSLEG!   |
| Depth SKU   |
| OBX24.88 3.88L ELEC ADA SINK SPACE  |
| OBX24.88 3.88R ELEC ADA SINK SPACE  |
| OBX25.63 3.88L ELEC ADA SINK SPACE  |
| OBX25.63 3.88R ELEC ADA SINK SPACE  |
| OBX27.88 3.88L ELEC ADA SINK SPACE  |
| OBX27.88 3.88R ELEC ADA SINK SPACE  |
| OBX28.63 3.88L ELEC ADA SINK SPACE  |
| OBX28.63 3.88R ELEC ADA SINK SPACE  |

# Sink Base Cabinets - ORPzz xxL/R ADA SINK SPACE

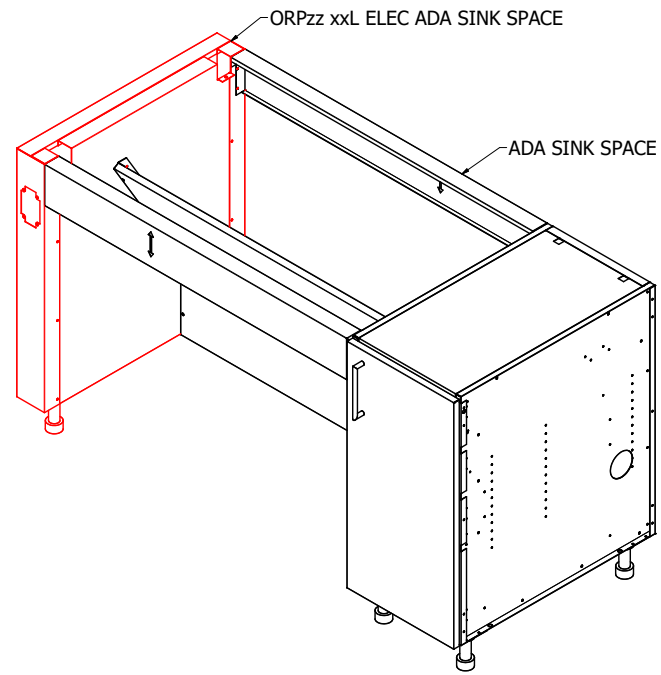
[\\*Return to Table of Contents](#)



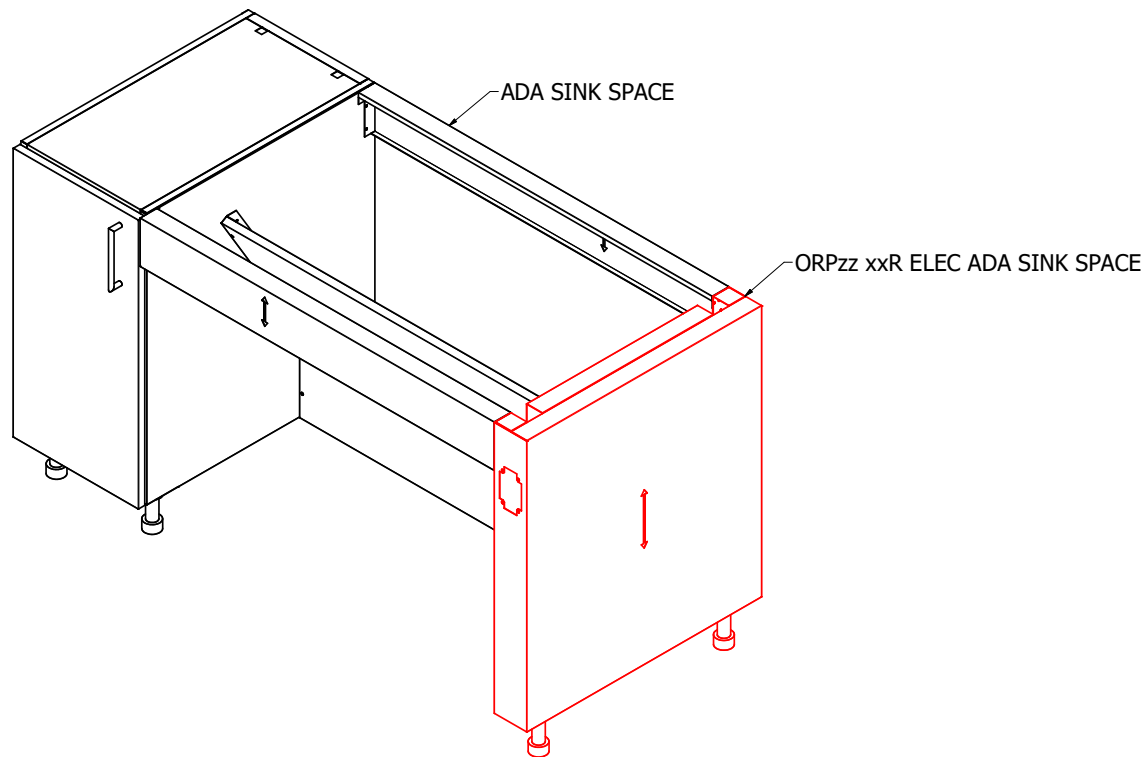
| Product Description  |
|--|
| ORPzz.zz x.xx(L or R) ADA SINK SPACE: Column for countertop support with one finished side for ending a run with an ADA Sink Space. Comes in one standard width and four standard depths to match cabinets with or without back panels. Can be upgraded to match door styles on finished side. Comes with two adjustable legs to match those on cabinetry. |
| ORPzz.zz x.xx ADA SINK SPACE Column - 24-7/8" - 25-5/8" Deep x 30" Tall x 3-7/8" Wide (includes 2 legs). Used for FINISHING a run. CANNOT USE TAPERED SSLEG!   |
| Depth SKU  |
| ORP24.88 3.88L ADA SINK SPACE  |
| ORP24.88 3.88R ADA SINK SPACE  |
| ORP25.63 3.88L ADA SINK SPACE  |
| ORP25.63 3.88R ADA SINK SPACE  |
| ORP27.88 3.88L ADA SINK SPACE  |
| ORP27.88 3.88R ADA SINK SPACE  |
| ORP28.63 3.88L ADA SINK SPACE  |
| ORP28.63 3.88R ADA SINK SPACE  |

# Sink Base Cabinets - ORPzz xxL/R ELEC ADA SINK SPACE

[\\*Return to Table of Contents](#)

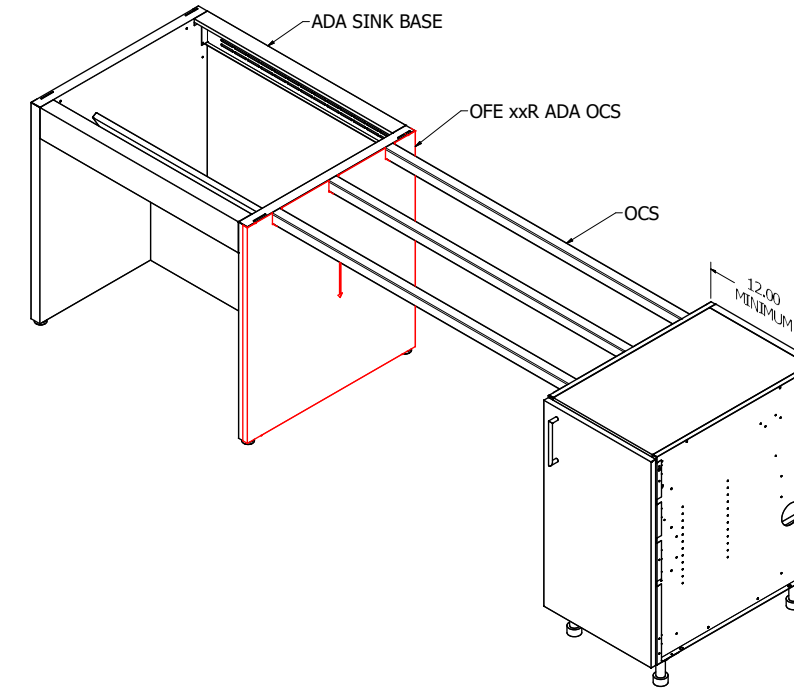


| Product Description  |
|--|
| <p>ORPzz.zz x.xx(L or R) ELEC ADA SINK SPACE: Column for countertop support with one finished side for ending a run with an ADA Sink Space. Includes a standard GFCI electrical cutout located 4" down from the top of the column and centered on front. Comes in one standard width and four standard depths to match cabinets with or without back panels. Can be upgraded to match door styles on finished side. Comes with two adjustable legs to match those on cabinetry.</p> <p>ORPzz.zz x.xx ELEC ADA SINK SPACE Column with cutout for standard GFCI outlet - 24-7/8" - 25-5/8" Deep x 30" Tall x 3-7/8" Wide (includes 2 legs). GFCI cutout is located 4" down from the top and centered on the front of column. Used for FINISHING a run. CANNOT USE TAPERED SSLEG!</p> |
| Depth SKU  |
| ORP24.88 3.88L ELEC ADA SINK SPACE   |
| ORP24.88 3.88R ELEC ADA SINK SPACE   |
| ORP25.63 3.88L ELEC ADA SINK SPACE   |
| ORP25.63 3.88R ELEC ADA SINK SPACE   |
| ORP27.88 3.88L ELEC ADA SINK SPACE   |
| ORP27.88 3.88R ELEC ADA SINK SPACE   |
| ORP28.63 3.88L ELEC ADA SINK SPACE   |
| ORP28.63 3.88R ELEC ADA SINK SPACE   |



# Sink Base Cabinets - OFE xxL/R ADA OCS

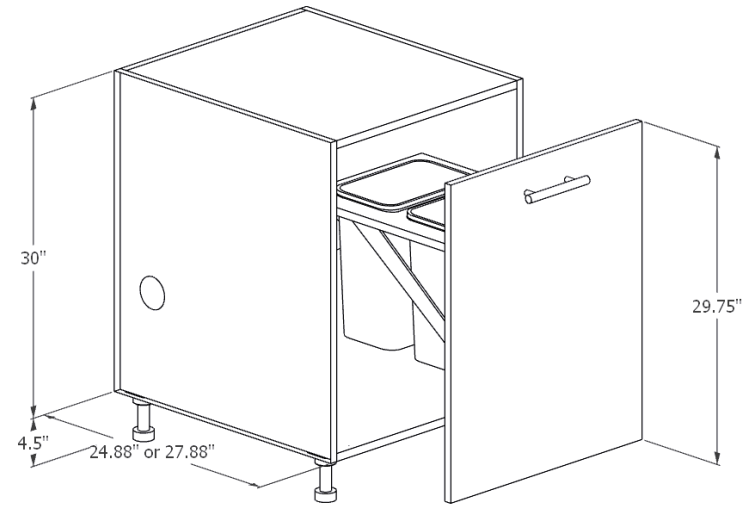
[\\*Return to Table of Contents](#)



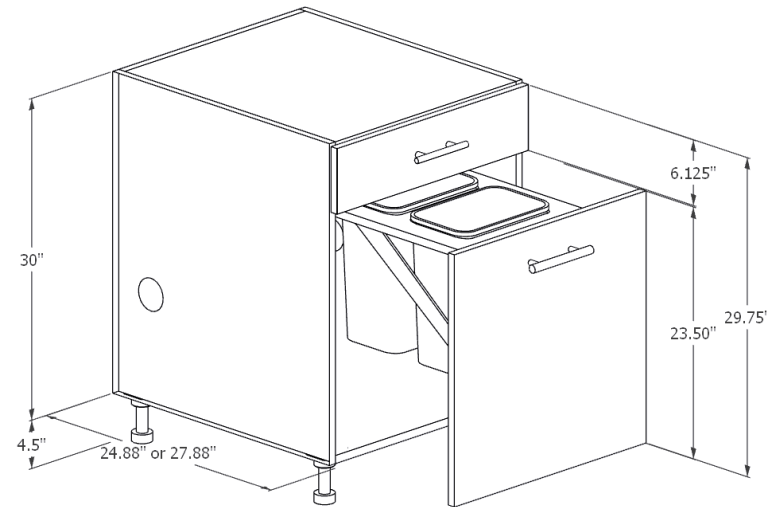
| Product Description   |
|---|
| <p>OFE xx(L or R) ADA OCS: Flush side panel for ADA Sink Base. Notched for use with OCS countertop support span. Sits flush to cabinet side.</p> <p>24.88"D x 30"H. Flush to cabinet side. **notched for use with OCS countertop support span part only**</p> |
| 27" Depth SKU   |
| OFE 24.88L ADA OCS  |
| OFE 24.88R ADA OCS  |
| OFE 27.88L ADA OCS  |
| OFE 27.88R ADA OCS  |

## Trash Base Cabinets - OBTxx00, OBTxx10

[\\*Return to Table of Contents](#)



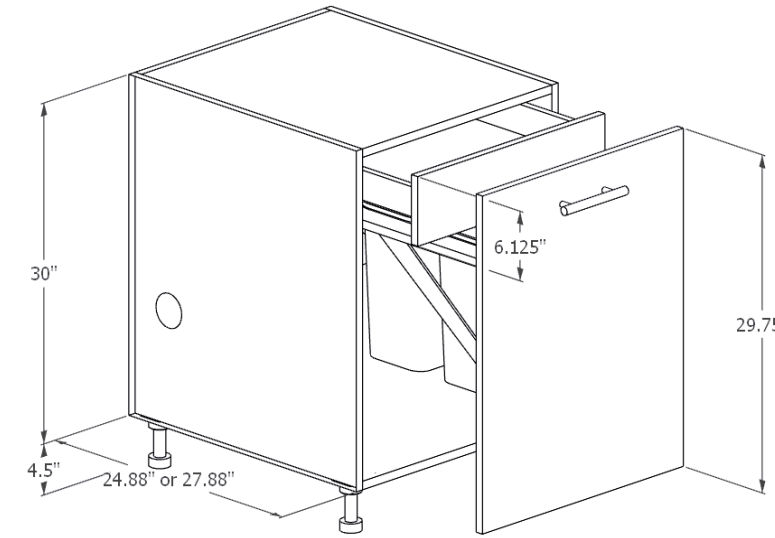
| Product Description  |               |
|--|---------------|
| OBTxx00: Outdoor Trash Base for 30 quart cans. 1 Full-Height Door.<br>NOTE: 15" cabinets have 1 trash bin. Cabinets 18" and above have 2 trash bins. |               |
| 27" Depth SKU  | 24" Depth SKU |
| OBT1500  | OBT1500-24    |
| OBT1800  | OBT1800-24    |
| OBT2100  | OBT2100-24    |
| OBT2400  | OBT2400-24    |
| OBT2700  | OBT2700-24    |



| Product Description  |               |
|--|---------------|
| OBTxx10: Outdoor Trash Base for 30 quart cans. 1 Full-Height Door, 1 drawer above.<br>NOTE: 15" cabinets have 1 trash bin. Cabinets 18" and above have 2 trash bins. |               |
| 27" Depth SKU  | 24" Depth SKU |
| OBT1510  | OBT1510-24    |
| OBT1810  | OBT1810-24    |
| OBT2110  | OBT2110-24    |
| OBT2410  | OBT2410-24    |
| OBT2710  | OBT2710-24    |

## Trash Base Cabinets - OBTxx10N (nested)

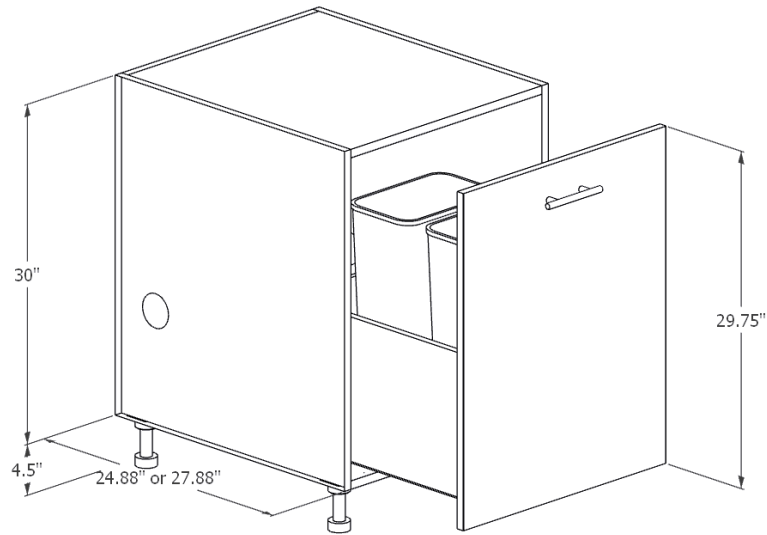
[\\*Return to Table of Contents](#)



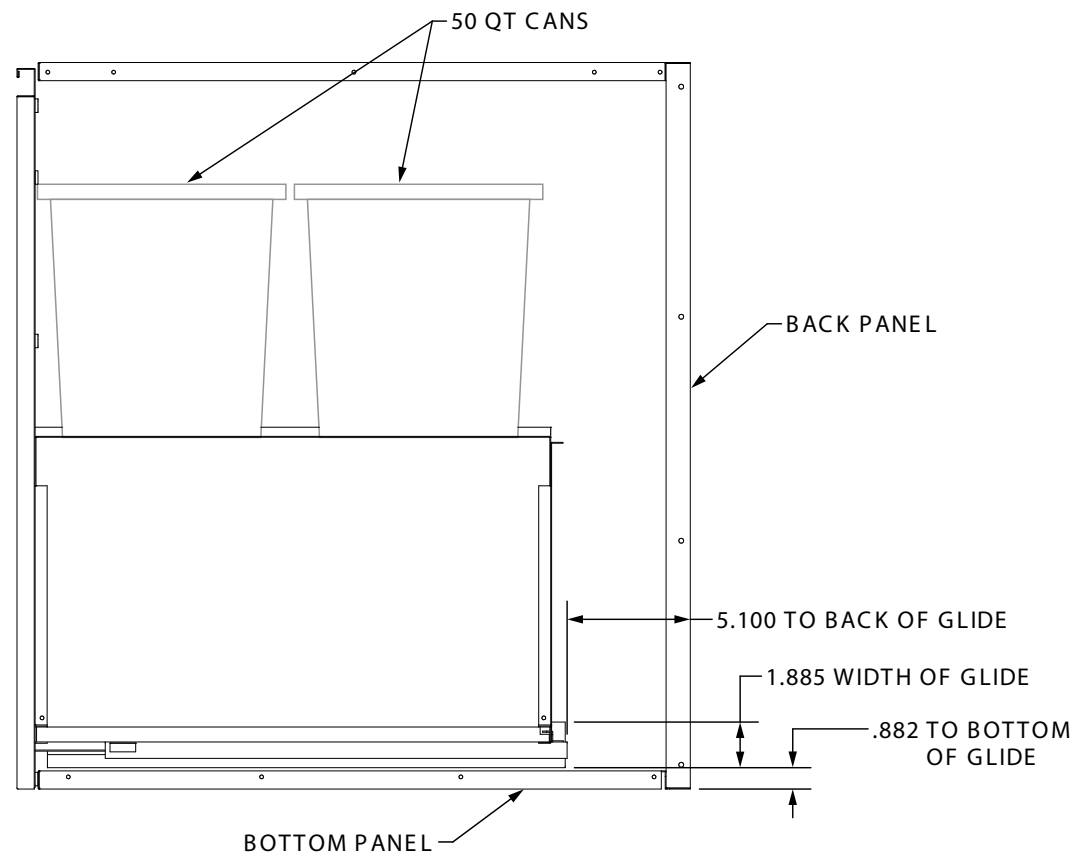
| Product Description   |               |
|---|---------------|
| OBTxx10N: Outdoor Trash Base Nested Top Drawer for 30 quart cans. 1 Full-Height Door, 1 Hidden Drawer (Hampton front, no handle, pull underneath to open); Pull-out Trash attached to Door.<br>NOTE: 15" cabinets have 1 trash bin. Cabinets 18" and above have 2 trash bins. |               |
| 27" Depth SKU   | 24" Depth SKU |
| OBT1510N  | OBT1510N-24   |
| OBT1810N  | OBT1810N-24   |
| OBT2110N  | OBT2110N-24   |
| OBT2410N  | OBT2410N-24   |
| OBT2710N  | OBT2710N-24   |

# Trash Base Cabinets - Large 51 Quart Can: OBTxx00L

[\\*Return to Table of Contents](#)



| Product Description   |               |
|---|---------------|
| OBTxx00L: Outdoor Trash Base for Large 51 quart cans. 1 Full-Height Door. |               |
| 27" Depth SKU   | 24" Depth SKU |
| OBT2100L  | OBT2100L-24   |
| OBT2400L  | OBT2400L-24   |



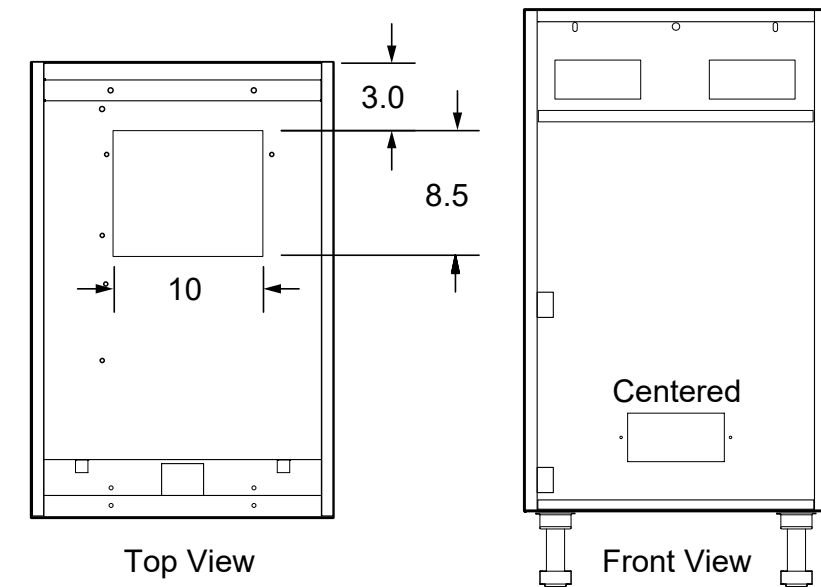
OBT2100L Cross Section Dimensions

# Side Burner Base Cabinets

[\\*Return to Table of Contents](#)

- Side Burner bases available in widths from 12" to 30".
- Side Burner Base specified MUST be 3-6" larger than the Side Burner cutout (i.e. 13"W side burner cutout requires a 15-18"W side burner base).
- OBBxxxx LOW base specified MUST be 7.5" larger than the Power Burner cutout (i.e. 22.5"W power burner cutout requires a 30"W OBB3002 LOW power burner base).
- Factory installed trim kits designed to accommodate all manufacturers.
- OBB appliance cabinetry accommodate all electrical, plumbing and gas necessities.

\*NOTE: Extra depth cabinets are not available in all sizes. Please contact: Sales@danver.com for specific needs.



There are two side burner (OBB) cabinet styles - one placing the burner at countertop level and the recessed cabinet (LOW) placing the burner 7" below the countertop.

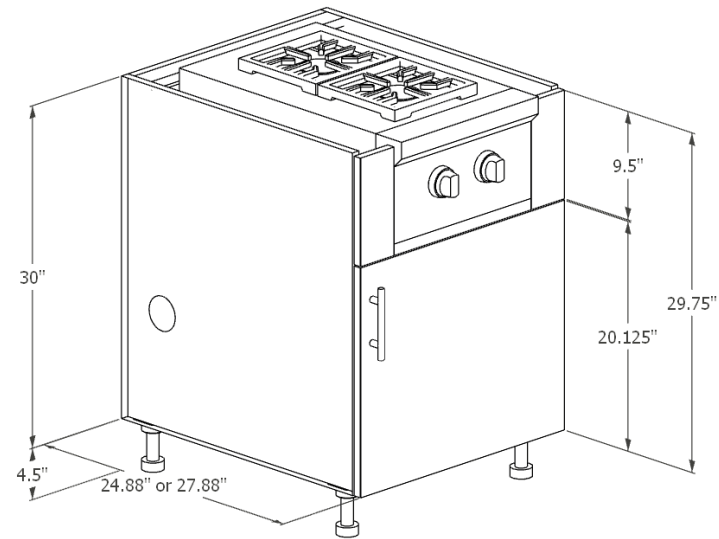
The recessed cabinet offers more convenience for stock pot cooking.

The LOW cabinets have a larger trim kit than normal. The appliance cutout MUST be 7.5" less than the cabinet width. Ex. for an OBB2702 LOW the appliance cutout must be 19.5"W or less.

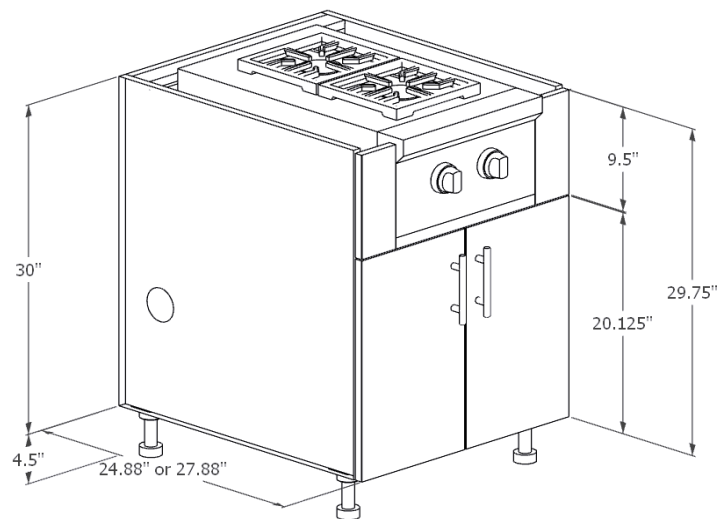


# Side Burner Base - OBBxxxx: 1 Door, 2 Door, 2 Drawer

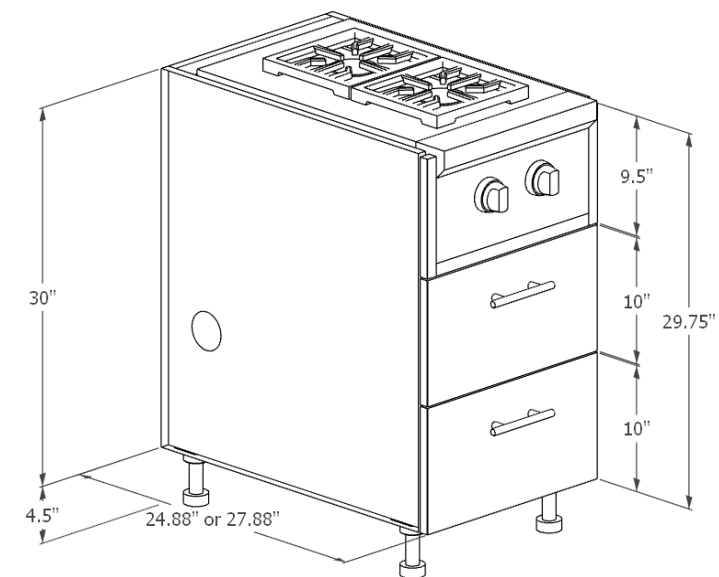
[\\*Return to Table of Contents](#)



| Product Description   |               |
|---|---------------|
| OBBxx01: Outdoor Side Burner Base, 1 Door. 9.75"H burner shelf (9.5"H trim kit sides) |               |
| 27" Depth SKU   | 24" Depth SKU |
| OBB1201-LH  | OBB1201-24-LH |
| OBB1201-RH  | OBB1201-24-RH |
| OBB1501-LH  | OBB1501-24-LH |
| OBB1501-RH  | OBB1501-24-RH |
| OBB1801-LH  | OBB1801-24-LH |
| OBB1801-RH  | OBB1801-24-RH |
| OBB2101-LH  | OBB2101-24-LH |
| OBB2101-RH  | OBB2101-24-RH |
| OBB2401-LH  | OBB2401-24-LH |
| OBB2401-RH  | OBB2401-24-RH |



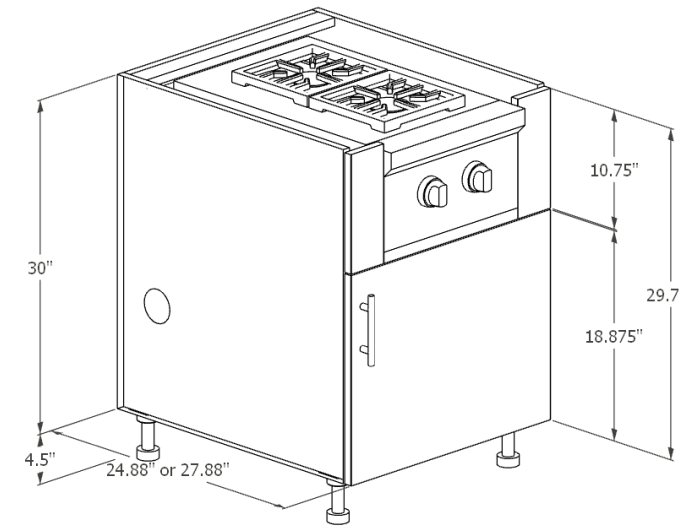
| Product Description  |               |
|--|---------------|
| OBBxx02: Outdoor Side Burner Base, 2 Doors. 9.75"H burner shelf (9.5"H trim kit sides) |               |
| 27" Depth SKU  | 24" Depth SKU |
| OBB2402  | OBB2402-24    |
| OBB2702  | OBB2702-24    |
| OBB3002  | OBB3002-24    |



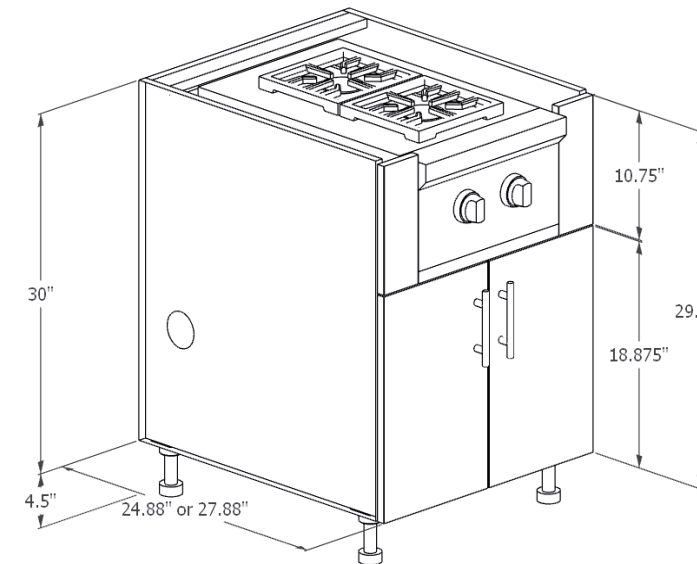
| Product Description  |               |
|--|---------------|
| OBBxx20: Outdoor Side Burner Base, 2 Drawers. 9.75"H burner shelf (9.5"H trim kit sides) |               |
| 27" Depth SKU  | 24" Depth SKU |
| OBB1220  | OBB1220-24    |
| OBB1520  | OBB1520-24    |
| OBB1820  | OBB1820-24    |
| OBB2120  | OBB2120-24    |
| OBB2420  | OBB2420-24    |
| OBB2720  | OBB2720-24    |
| OBB3020  | OBB3020-24    |

# Side Burner Base - OBBxx01H11, OBBxx02H11, OBBxx20H11

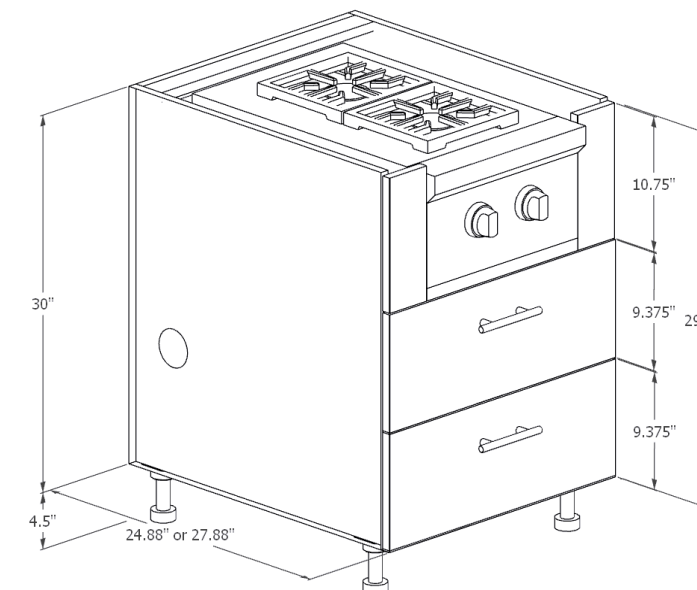
[\\*Return to Table of Contents](#)



| Product Description  |                  |
|--|------------------|
| OBBxx01H11: Outdoor Side Burner Base, Deep, 1 Door. 11"H burner shelf (10.75"H trim kit sides) |                  |
| 27" Depth SKU  | 24" Depth SKU    |
| OBB1201H11-LH  | OBB1201H11-24-LH |
| OBB1201H11-RH  | OBB1201H11-24-RH |
| OBB1501H11-LH  | OBB1501H11-24-LH |
| OBB1501H11-RH  | OBB1501H11-24-RH |
| OBB1801H11-LH  | OBB1801H11-24-LH |
| OBB1801H11-RH  | OBB1801H11-24-RH |
| OBB2401H11-LH  | OBB2401H11-24-LH |
| OBB2401H11-RH  | OBB2401H11-24-RH |



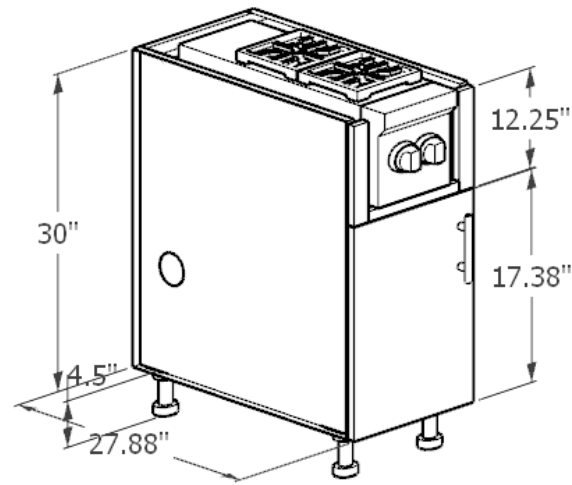
| Product Description   |               |
|---|---------------|
| OBBxx02H11: Outdoor Side Burner Base, Deep, 2 Doors. 11"H burner shelf (10.75"H trim kit sides) |               |
| 27" Depth SKU   | 24" Depth SKU |
| OBB2402H11  | OBB2402H11-24 |
| OBB2702H11  | OBB2702H11-24 |
| OBB3002H11  | OBB3002H11-24 |



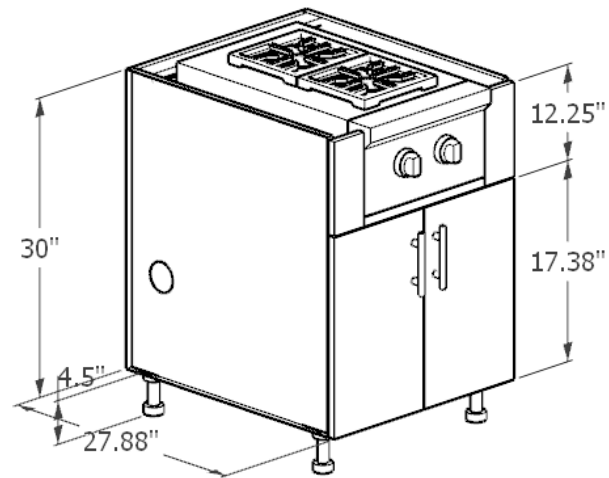
| Product Description   |               |
|---|---------------|
| OBBxx20H11: Outdoor Side Burner Base, Deep, 2 Drawers. 11"H burner shelf (10.75"H trim kit sides) |               |
| 27" Depth SKU   | 24" Depth SKU |
| OBB1220H11  | N/A           |
| OBB1520H11  | N/A           |
| OBB1820H11  | N/A           |
| OBB2120H11  | N/A           |
| OBB2420H11  | N/A           |
| OBB2720H11  | N/A           |
| OBB3020H11  | N/A           |

## Side Burner Base - OBBxx01H12.5, OBBxx02H12.5

[\\*Return to Table of Contents](#)



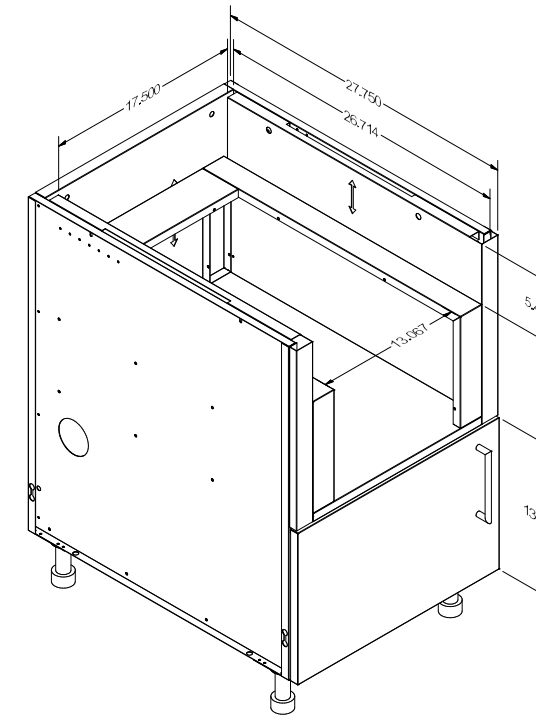
| Product Description   |                    |
|---|--------------------|
| OBBxx01H12.5: Outdoor Side Burner Base, 1 Door.<br>12.5"H burner shelf (12.25"H trim kit sides) |                    |
| 27" Depth SKU   | 24" Depth SKU      |
| OBB1201H12.5-LH   | OBB1201H12.5-LH-24 |
| OBB1201H12.5-RH   | OBB1201H12.5-RH-24 |
| OBB1501H12.5-LH   | OBB1501H12.5-LH-24 |
| OBB1501H12.5-RH   | OBB1501H12.5-RH-24 |
| OBB1801H12.5-LH   | OBB1801H12.5-LH-24 |
| OBB1801H12.5-RH   | OBB1801H12.5-RH-24 |
| OBB2101H12.5-LH   | OBB2101H12.5-LH-24 |
| OBB2101H12.5-RH   | OBB2101H12.5-RH-24 |
| OBB2401H12.5-LH   | OBB2401H12.5-LH-24 |
| OBB2401H12.5-RH   | OBB2401H12.5-RH-24 |



| Product Description  |                 |
|--|-----------------|
| OBBxx02H12.5: Outdoor Side Burner Base, 2 Doors.<br>12.5"H burner shelf (12.25"H trim kit sides) |                 |
| 27" Depth SKU  | 24" Depth SKU   |
| OBB2402H12.5   | OBB2402H12.5-24 |
| OBB2702H12.5   | OBB2702H12.5-24 |
| OBB3002H12.5   | OBB3002H12.5-24 |

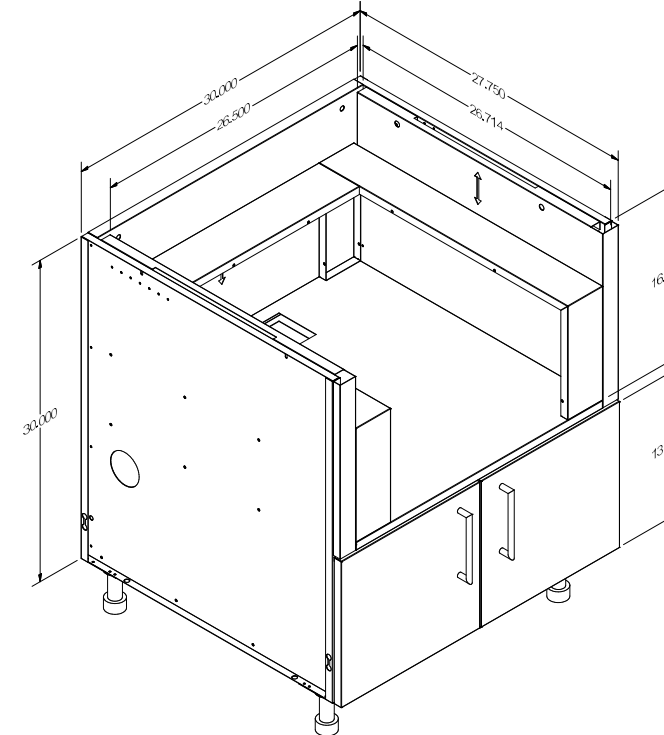
## Side Burner Base - 15.5"H Shelf: OBBxx01 LOW, OBBxx02 LOW

[\\*Return to Table of Contents](#)



Note: Inner trim dimensions of OBBxx01 LOW adjust based on the power burner selected. Power burner cutout must be at least 7.5" LESS than cabinet size selected due to trim kit requirements.

| Product Description   |                   |
|---|-------------------|
| OBBxx01 LOW: Outdoor Side Burner Base, Low shelf design, 1 Door.<br>15.5" high burner shelf (16"H trim kit sides) |                   |
| 27" Depth SKU   | 24" Depth SKU     |
| OBB1801-RH LOW  | OBB1801-24-RH LOW |
| OBB1801-LH LOW  | OBB1801-24-LH LOW |
| OBB2101-RH LOW  | OBB2101-24-RH LOW |
| OBB2101-LH LOW  | OBB2101-24-LH LOW |
| OBB2401-RH LOW  | OBB2401-24-RH LOW |
| OBB2401-LH LOW  | OBB2401-24-LH LOW |



Note: Inner trim dimensions of OBBxx01 LOW adjust based on the power burner selected. Power burner cutout must be at least 7.5" LESS than cabinet size selected due to trim kit requirements.

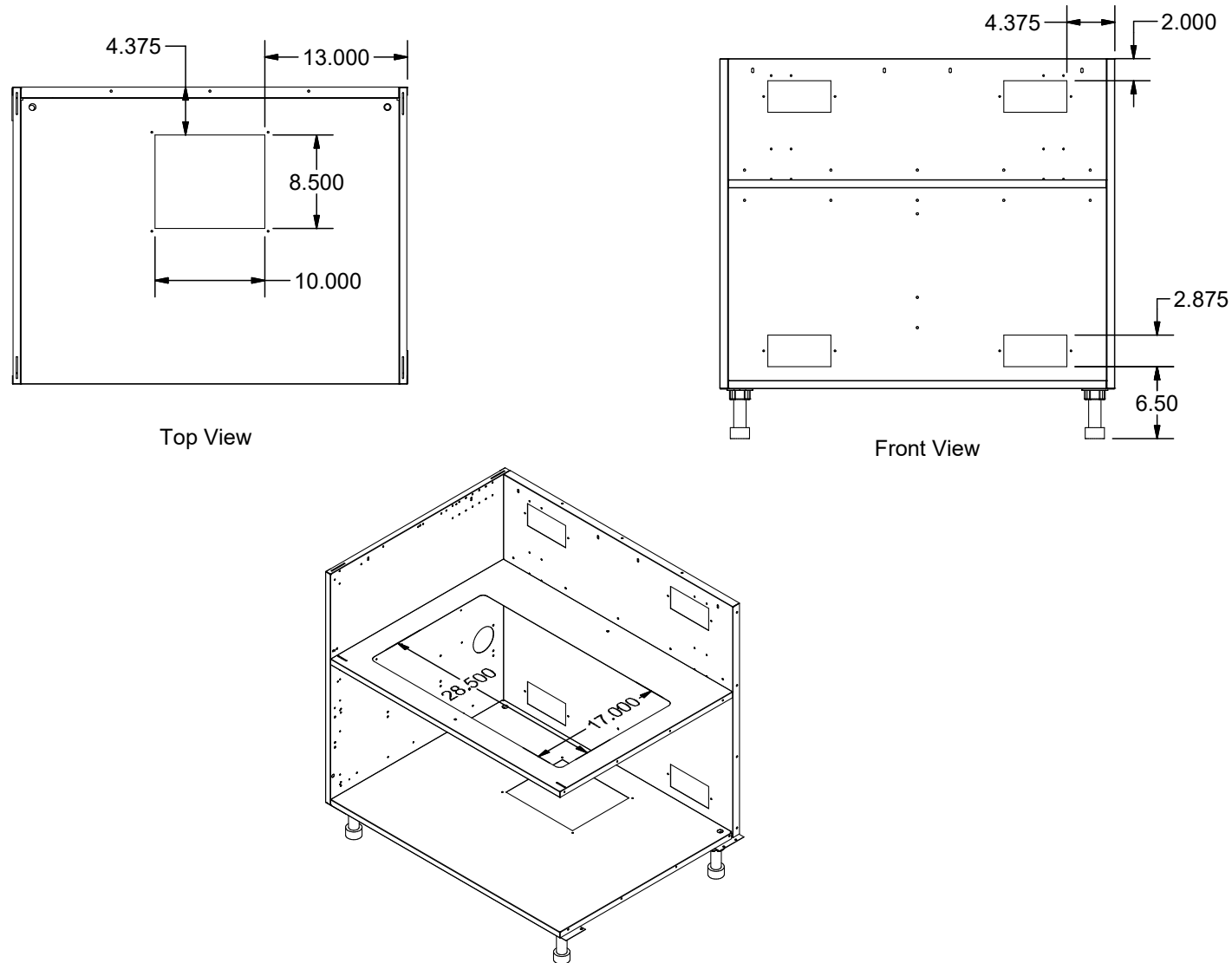
| Product Description  |                |
|--|----------------|
| OBBxx02 LOW: Outdoor Side Burner Base, Low shelf design, 2 Doors.<br>15.5" high burner shelf (16"H trim kit sides) |                |
| 27" Depth SKU  | 24" Depth SKU  |
| OBB2402 LOW  | OBB2402-24 LOW |
| OBB2702 LOW  | OBB2702-24 LOW |
| OBB3002 LOW  | OBB3002-24 LOW |
| OBB3302 LOW  |                |

# Bartending Center Base - OBCxxxx

[\\*Return to Table of Contents](#)

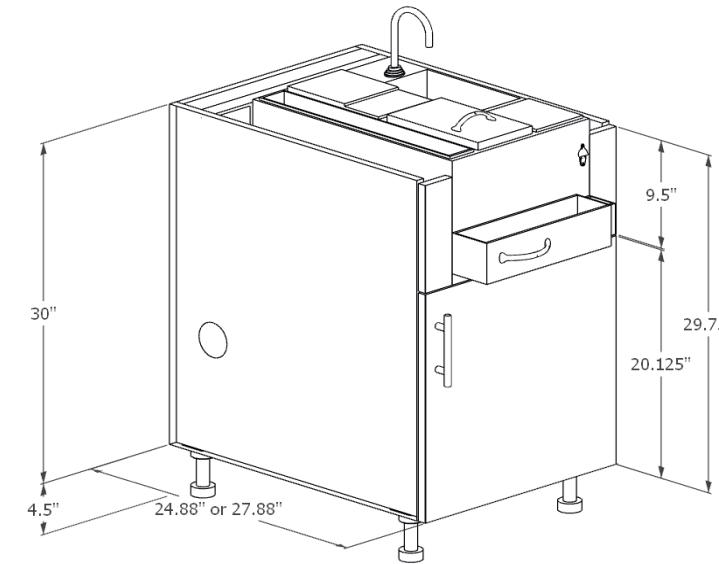
- Available in widths from 15" - 39" in 3" increments.
- Factory installed trim kits individually designed to accommodate all Bartending and Refreshment/Prep Center manufacturers.
- Bartending Center Base specified MUST be 3-6" larger than the specified cutout width (i.e. 30"W cutout, 33-36" Bartending Center Base).
- Some Bartending/Prep Stations require a deeper cutout and shelf height (11"H). This is denoted with a "D" suffix. Example: OBC3602D.

\*NOTE: Extra depth cabinets are not available in all sizes. Please contact: Sales@danver.com for specific needs.

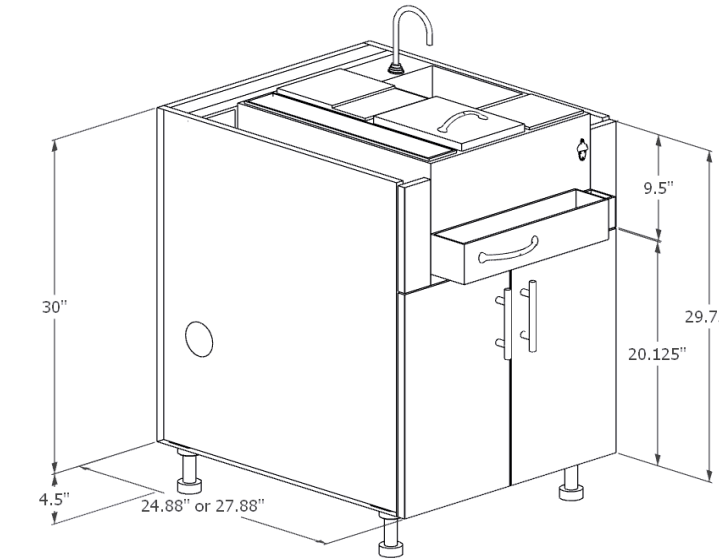


# Bartending Center Base - OBCxx01, OBCxx02

[\\*Return to Table of Contents](#)



| Product Description   |               |
|---|---------------|
| OBCxx01: Outdoor Bartending Center Base, 1 Door.<br>9.75"H appliance shelf (9.5"H trim kit sides) |               |
| 27" Depth SKU   | 24" Depth SKU |
| OBC1501-LH  | OBC1501-24-LH |
| OBC1501-RH  | OBC1501-24-RH |
| OBC1801-LH  | OBC1801-24-LH |
| OBC1801-RH  | OBC1801-24-RH |
| OBC2101-LH  | OBC2101-24-LH |
| OBC2101-RH  | OBC2101-24-RH |
| OBC2401-LH  | OBC2401-24-LH |
| OBC2401-RH  | OBC2401-24-RH |

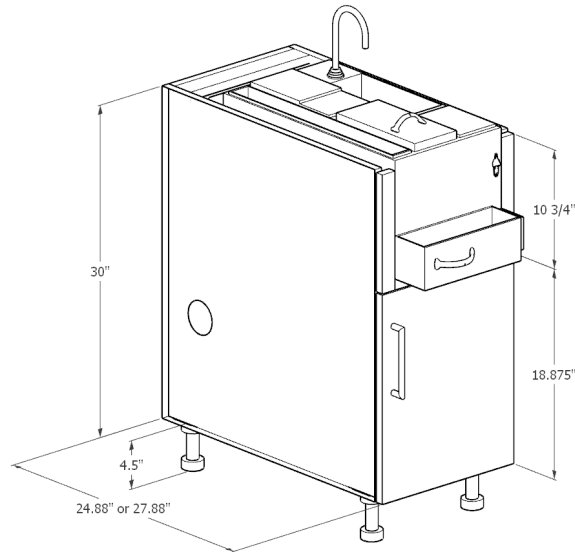


| Product Description  |               |
|--|---------------|
| OBCxx02: Outdoor Bartending Center Base, Deep, 2 Doors.<br>9.75"H appliance shelf (9.5"H trim kit sides) |               |
| 27" Depth SKU  | 24" Depth SKU |
| OBC2402  | OBC2402-24    |
| OBC2702  | OBC2702-24    |
| OBC3002  | OBC3002-24    |
| OBC3302  | OBC3302-24    |
| OBC3602  | OBC3602-24    |
| OBC3902  | OBC3902-24    |

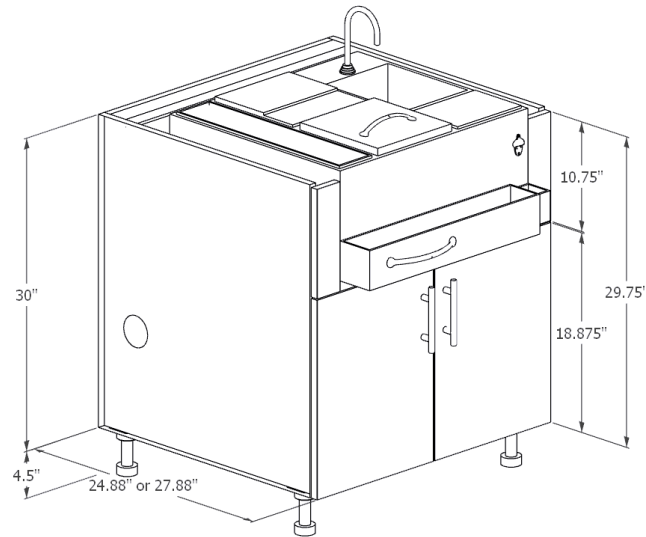


# Bartending Center Base - OBCxx01H11, OBCxx02H11

[\\*Return to Table of Contents](#)



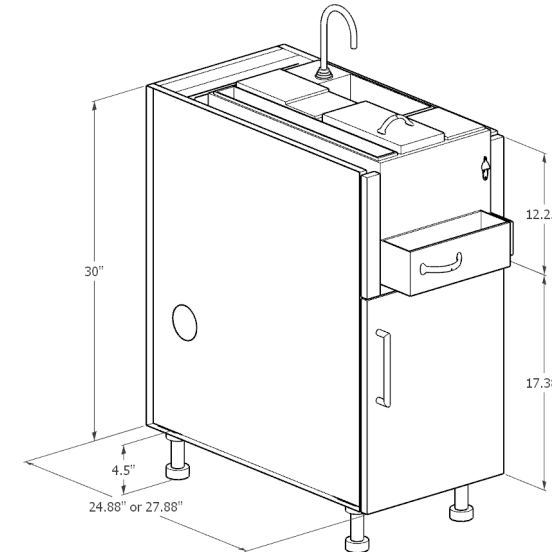
| Product Description   |                  |
|---|------------------|
| OBCxx01H11:Outdoor Bartending Center Base, Deep, 1 Door.<br>11"H appliance shelf (10.75"H trim kit sides) |                  |
| 27" Depth SKU   | 24" Depth SKU    |
| OBC1501H11-LH   | OBC1501H11-24-LH |
| OBC1501H11-RH   | OBC1501H11-24-RH |
| OBC1801H11-LH   | OBC1801H11-24-LH |
| OBC1801H11-RH   | OBC1801H11-24-RH |
| OBC2101H11-LH   | OBC2101H11-24-LH |
| OBC2101H11-RH   | OBC2101H11-24-RH |
| OBC2401H11-LH   | OBC2401H11-24-LH |
| OBC2401H11-RH   | OBC2401H11-24-RH |



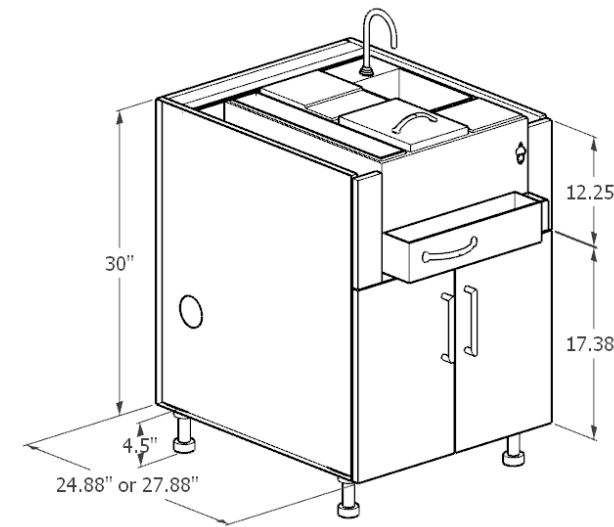
| Product Description  |               |
|--|---------------|
| OBCxx02H11:Outdoor Bartending Center Base, Deep, 2 Doors.<br>11"H appliance shelf (10.75"H trim kit sides) |               |
| 27" Depth SKU  | 24" Depth SKU |
| OBC2402H11   | OBC2402H11-24 |
| OBC2702H11   | OBC2702H11-24 |
| OBC3002H11   | OBC3002H11-24 |
| OBC3302H11   | OBC3302H11-24 |
| OBC3602H11   | OBC3602H11-24 |
| OBC3902H11   | OBC3902H11-24 |

# Bartending Center Base - OBCxx01H12.5, OBBxx02H12.5

[\\*Return to Table of Contents](#)



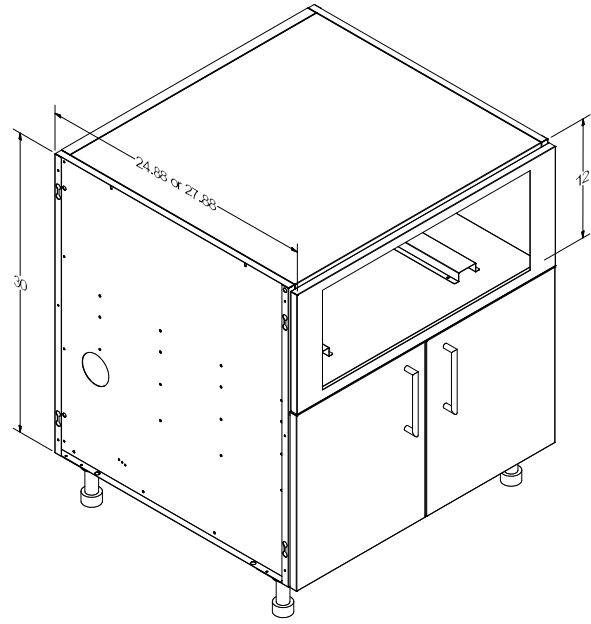
| Product Description   |               |
|---|---------------|
| OBCxx01H12.5:Outdoor Bartending Center Base, Deep, 1 Door.<br>12.5"H appliance shelf (12.25"H trim kit sides) |               |
| 27" Depth SKU   | 24" Depth SKU |
| OBC1801H12.5-LH   | N/A           |
| OBC1801H12.5-RH   | N/A           |
| OBC2101H12.5-LH   | N/A           |
| OBC2101H12.5-RH   | N/A           |
| OBC2401H12.5-LH   | N/A           |
| OBC2401H12.5-RH   | N/A           |



| Product Description  |               |
|--|---------------|
| OBCxx02H12.5:Outdoor Bartending Center Base, Deep, 2 Doors.<br>12.5"H appliance shelf (12.25"H trim kit sides) |               |
| 27" Depth SKU  | 24" Depth SKU |
| OBC2402H12.5   | N/A           |
| OBC3002H12.5   | N/A           |
| OBC3602H12.5   | N/A           |

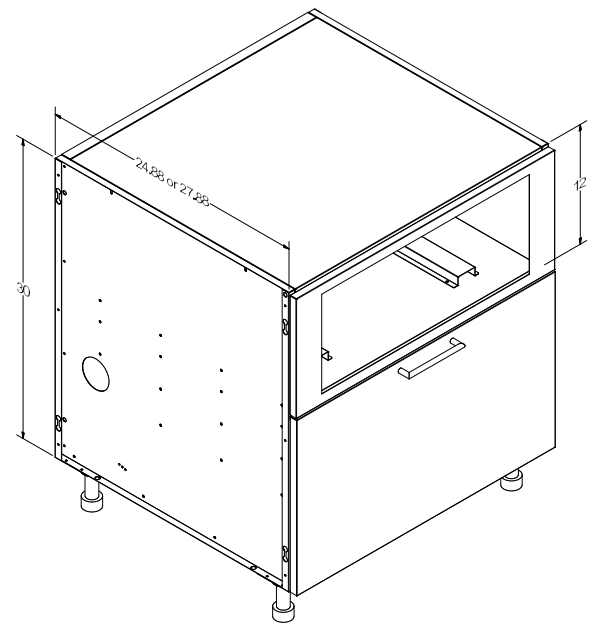
## Warming Drawer Bases - OBWxx02 H12, OBWxx10 H12

[\\*Return to Table of Contents](#)



| Product Description  |                |
|--|----------------|
| OBWxx02: Outdoor Warming Drawer/Microwave Base, 2 Doors. Shelf 12" from top. |                |
| 27" Depth SKU  | 24" Depth SKU  |
| OBW3002 H12  | OBW3002-24 H12 |
| OBW3302 H12  | OBW3302-24 H12 |
| OBW3602 H12  | OBW3602-24 H12 |

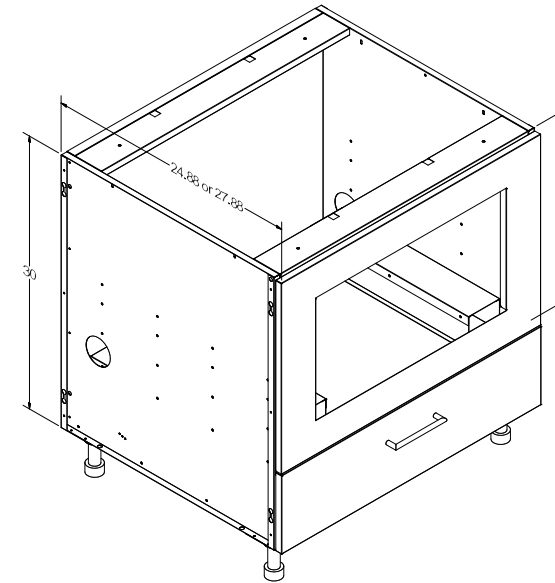
Note: OBW30xx's are made for 27" wide warming drawers.  
OBW36xx's accommodate 33" wide warming drawers.



| Product Description   |                |
|---|----------------|
| OBWxx10: Outdoor Warming Drawer/Microwave Base, 1 Drawer. Shelf 12" from top. |                |
| 27" Depth SKU   | 24" Depth SKU  |
| OBW3010 H12   | OBW3010-24 H12 |
| OBW3310 H12   | OBW3310-24 H12 |
| OBW3610 H12   | OBW3610-24 H12 |

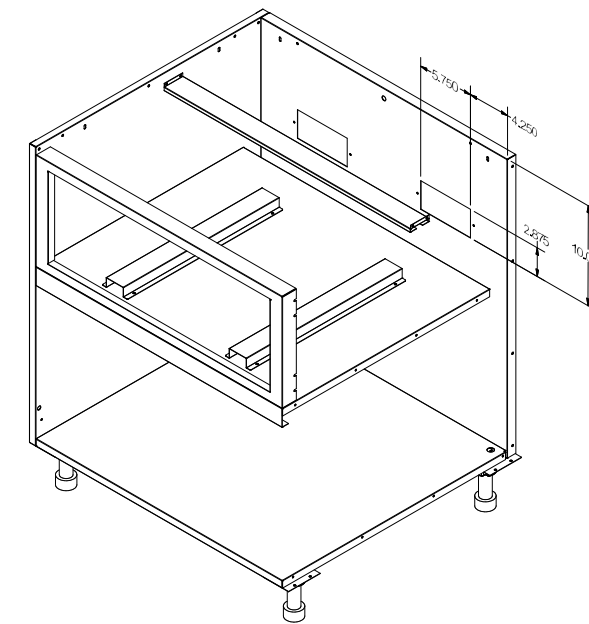
## Warming Drawer Bases - OBWxx10 H21: 1 Drawer

[\\*Return to Table of Contents](#)



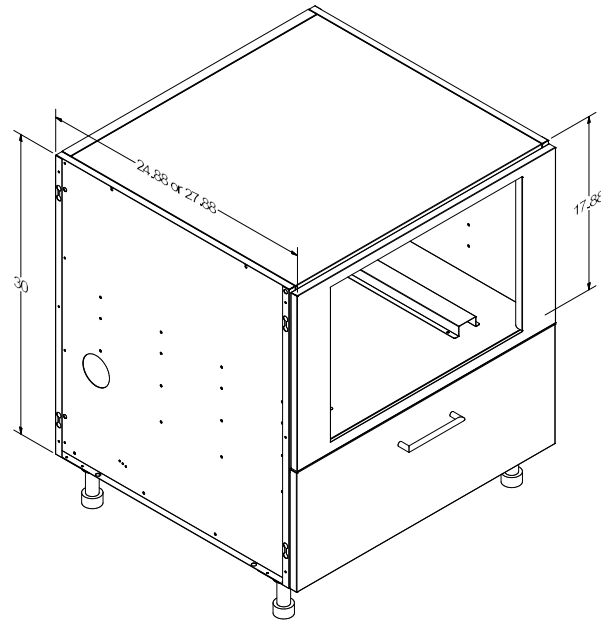
Note: OBW30xx's are made for 27" wide warming drawers.  
OBW36xx's accommodate 33" wide warming drawers.

| Product Description   |                |
|---|----------------|
| OBW3010 H21: Outdoor Warming Drawer/Microwave Base, 1 Drawer. Shelf 21" from top. |                |
| 27" Depth SKU   | 24" Depth SKU  |
| N/A   | OBW2110-24 H21 |
| N/A   | OBW2410-24 H21 |
| N/A   | OBW2710-24 H21 |
| OBW3010 H21   | OBW3010-24 H21 |
| OBW3310 H21   | N/A            |



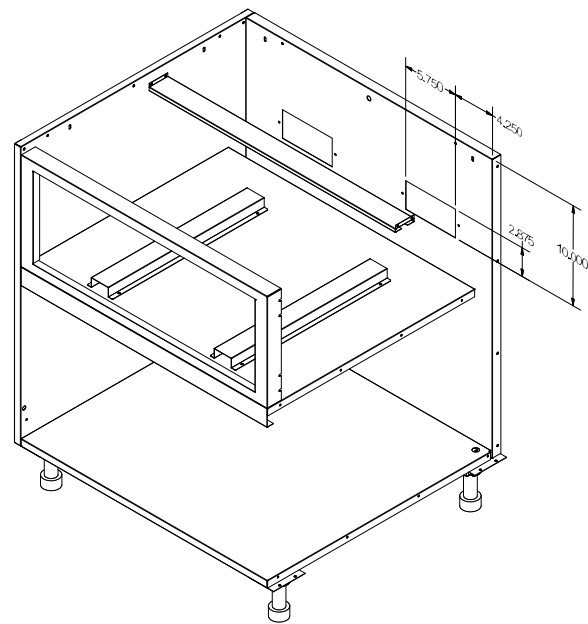
# Warming Drawer Bases - OBWxx10 H17.38

[\\*Return to Table of Contents](#)



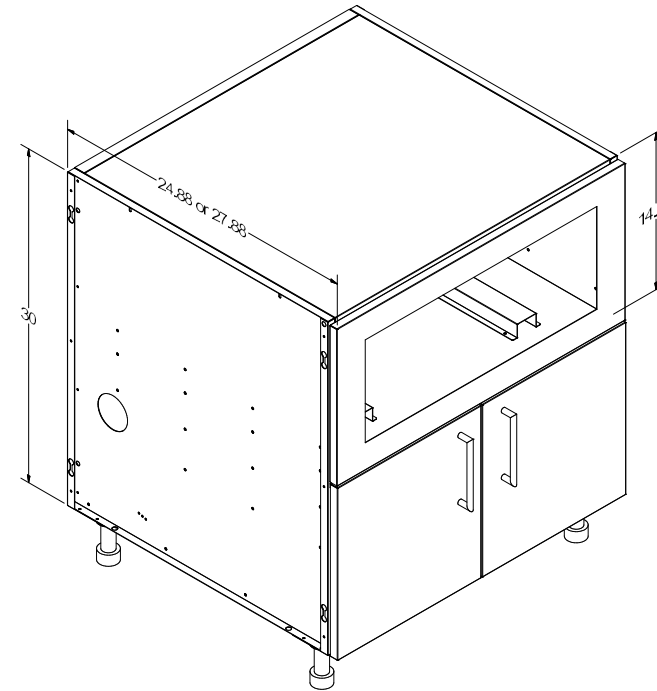
| Product Description  |               |
|--|---------------|
| OBWxx10: Outdoor Warming Drawer/Microwave Base, extra deep 17.63" cutout for DCS or similar. 1 Drawer. Shelf 17.38"H from top. |               |
| 27" Depth SKU  | 24" Depth SKU |
| OBW3010 H17.38   | N/A           |
| OBW3310 H17.38   | N/A           |
| OBW3610 H17.38   | N/A           |

Note: OBW30xx's are made for 27" wide warming drawers.  
OBW36xx's accomodate 33" wide warming drawers.



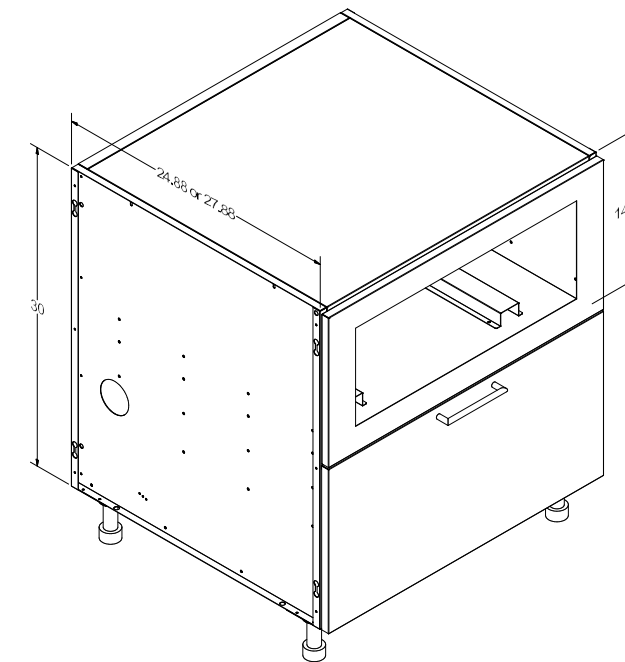
# Warming Drawer Bases - OBWxx02 H14.13, OBWxx10 H14.13

[\\*Return to Table of Contents](#)



| Product Description  |                   |
|--|-------------------|
| OBWxx02 H14.13: Outdoor Warming Drawer/Microwave Base, Deep, 2 Doors. Shelf 14.13" from top. |                   |
| 27" Depth SKU  | 24" Depth SKU     |
| OBW3002 H14.13   | OBW3002-24 H14.13 |
| OBW3302 H14.13   | OBW3302-24 H14.13 |
| OBW3602 H14.13   | OBW3602-24 H14.13 |

Note: OBW30xx's are made for 27" wide warming drawers.  
OBW36xx's accomodate 33" wide warming drawers.

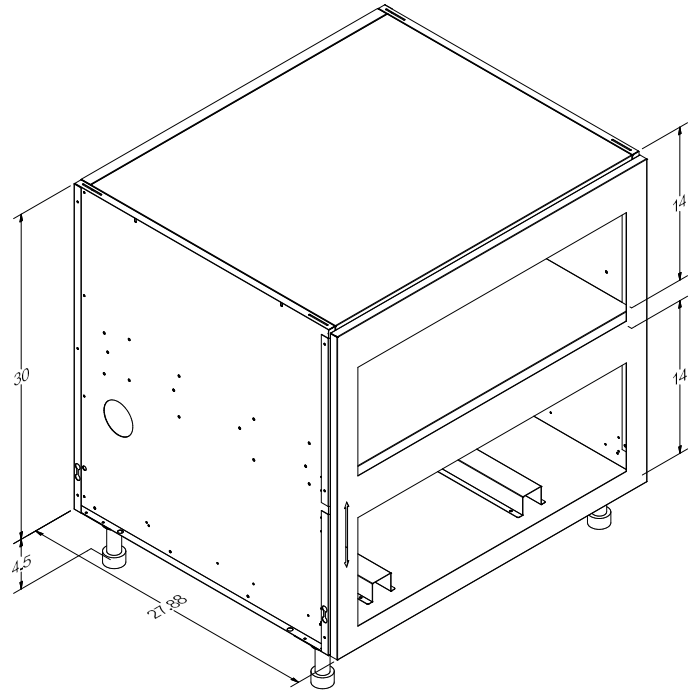


| Product Description   |                   |
|---|-------------------|
| OBWxx10 H14.13: Outdoor Warming Drawer/Microwave Base, Deep, 1 Drawer. Shelf 14.13" from top. |                   |
| 27" Depth SKU   | 24" Depth SKU     |
| OBW3010 H14.13  | OBW3010-24 H14.13 |
| OBW3310 H14.13  | OBW3310-24 H14.13 |
| OBW3610 H14.13  | OBW3610-24 H14.13 |

Note: OBW30xx's are made for 27" wide warming drawers.  
OBW36xx's accomodate 33" wide warming drawers.

# Double Warming Drawer Bases - ODWxx00 H14

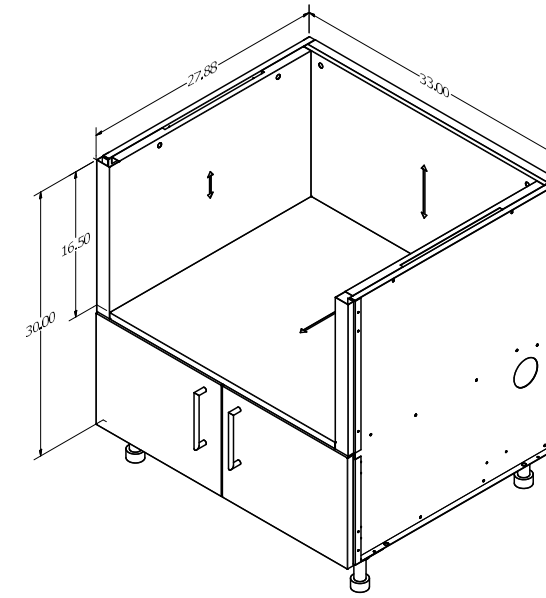
[\\*Return to Table of Contents](#)



| Product Description   |                |
|---|----------------|
| ODWxx00 H14: Outdoor Double Warming Drawer/Microwave Base, Deep, 2 Doors. Shelf 14" from top. |                |
| 27" Depth SKU   | 24" Depth SKU  |
| ODW3000 H14   | ODW3000-24 H14 |
| ODW3300 H14   | ODW3300-24 H14 |
| ODW3600 H14   | ODW3600-24 H14 |

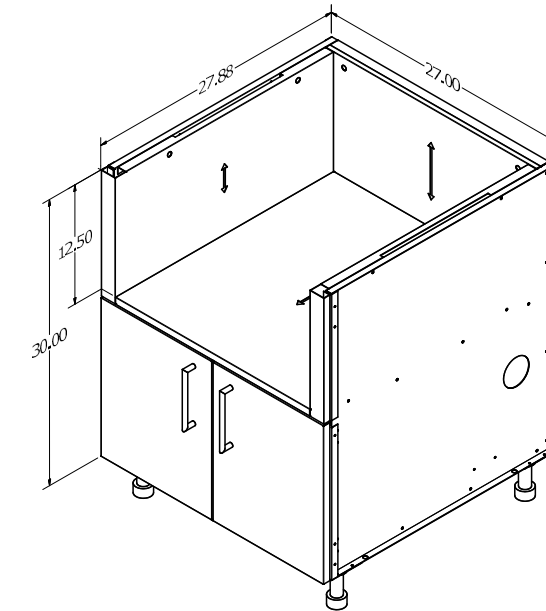
# Egg Base Cabinets - OEBxx02 H16.5, OEBxx02 H12.5

[\\*Return to Table of Contents](#)



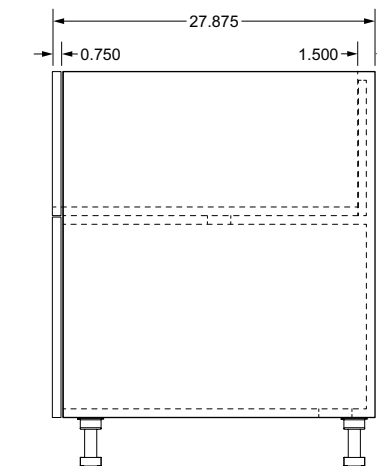
| Product Description  |                  |
|--|------------------|
| OEBxx02 H16.5: Outdoor Egg Smoker Base, 2 Doors. Side trim pieces: 1.75". *Shelf is 16.5" from top of cabinet* |                  |
| 27" Depth SKU  | 24" Depth SKU    |
| OEB2702 H16.5  | OEB2702-24 H16.5 |
| OEB3302 H16.5  | OEB3302-24 H16.5 |

Note: Shelf and inside cavity are #4 brushed stainless steel and CANNOT be powder coated. OEB Cabinets have additional support for the weight of the smoker grill eggs (over 200lbs.).



| Product Description  |                  |
|--|------------------|
| OEBxx02 H12.5: Outdoor Egg Smoker Base, 2 Doors. Side trim pieces: 1.75". *Shelf is 12.5" from top of cabinet* |                  |
| 27" Depth SKU  | 24" Depth SKU    |
| OEB2702 H12.5  | OEB2702-24 H12.5 |
| OEB3302 H12.5  | OEB3302-24 H12.5 |

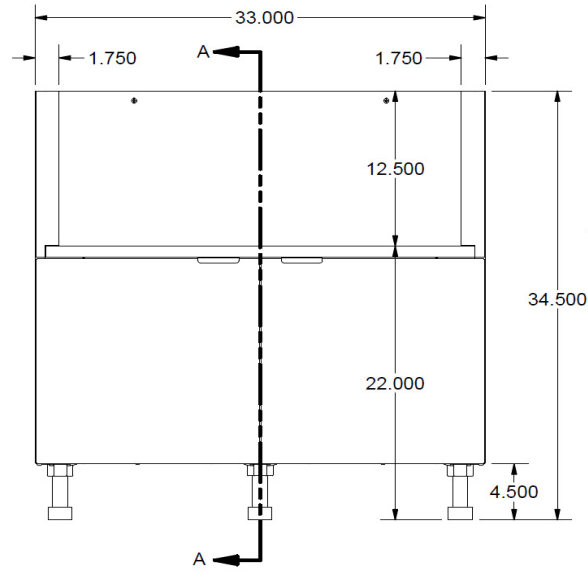
Note: Shelf and inside cavity are #4 brushed stainless steel and CANNOT be powder coated. OEB Cabinets have additional support for the weight of the smoker grill eggs (over 200lbs.).



EXAMPLE:  
OEB2702 and OEB3302 side elevation measurements.

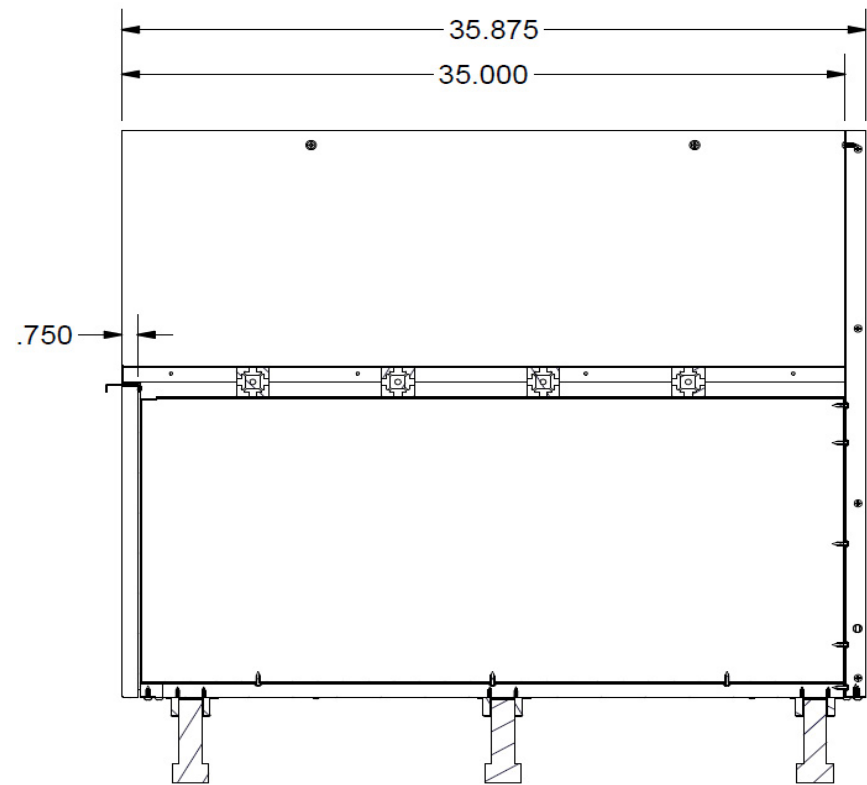
# Egg Base Cabinets - OEBxx02-35 H16.5 or 12.5 (Extra Large)

[\\*Return to Table of Contents](#)



| Product Description  |               |
|--|---------------|
| OEB3302-35 H16.5 or H12.5: Outdoor Egg Smoker Base, 2 Doors. *35"D TO FIT BIG GREEN EGG XL, 2XL WILL NOT FIT!* Shelf is 12.5" or 16.5" from top of cabinet* This base comes with OFE APPLIANCE finished sides due to the cabinet most likely sitting forward from the rest of the run. |               |
| 27" Depth SKU  | 24" Depth SKU |
| OEB3302-35 H16.5   | N/A           |
| OEB3302-35 H12.5   | N/A           |

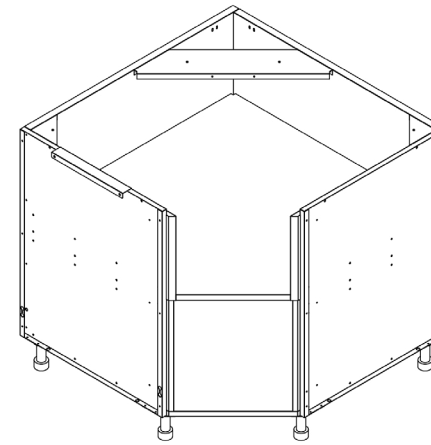
Note: Shelf and inside cavity are #4 brushed stainless steel and CANNOT be powder coated. OEB Cabinets have additional support for the weight of the smoker grill eggs (over 200lbs.).



SECTION A-A

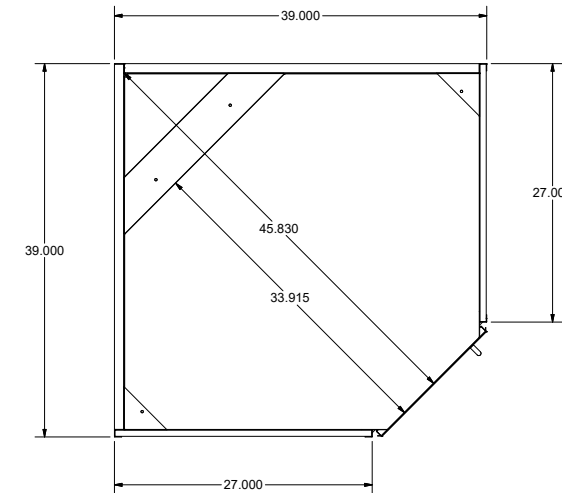
# Egg Base Cabinets - Diagonal Corner: DCBExx H16.5 or H12.5

[\\*Return to Table of Contents](#)



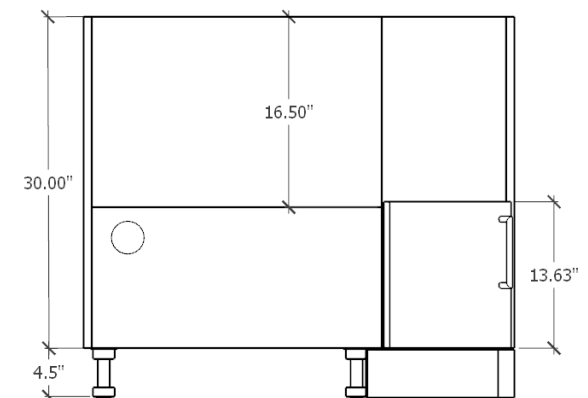
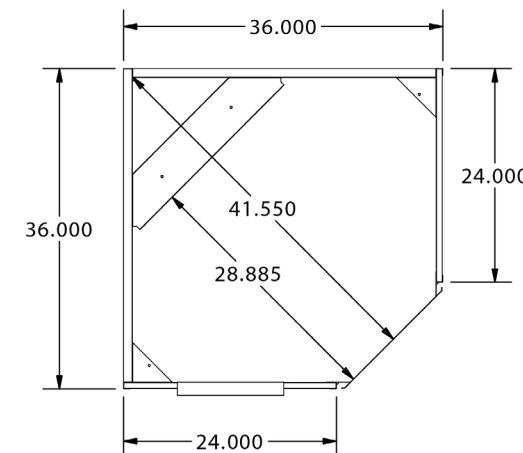
| Product Description   |                 |
|---|-----------------|
| DCBExx H16.5: Diagonal Corner Egg Smoker Base, 1 Door. *Shelf is 16.5" from top of cabinet* Note: 1" wide or greater front fillers are recommended on either side of cabinet for clearance. |                 |
| 27" Depth SKU   | 24" Depth SKU   |
| DCBE39 H16.5-LH   | DCBE36 H16.5-LH |
| DCBE39 H16.5-RH   | DCBE36 H16.5-RH |

Note: Shelf and inside cavity are #4 brushed stainless steel and CANNOT be powder coated. OEB Cabinets have additional support for the weight of the smoker grill eggs (over 200lbs.).



| Product Description  |                 |
|--|-----------------|
| DCBExx H12.5: Diagonal Corner Egg Smoker Base, 1 Door. *Shelf is 12.5" from top of cabinet*. Note: 1" wide or greater front fillers are recommended on either side of cabinet for clearance. |                 |
| 27" Depth SKU  | 24" Depth SKU   |
| DCBE39 H12.5-LH  | DCBE36 H12.5-LH |
| DCBE39 H12.5-RH  | DCBE36 H12.5-RH |

Note: Shelf and inside cavity are #4 brushed stainless steel and CANNOT be powder coated. OEB Cabinets have additional support for the weight of the smoker grill eggs (over 200lbs.).



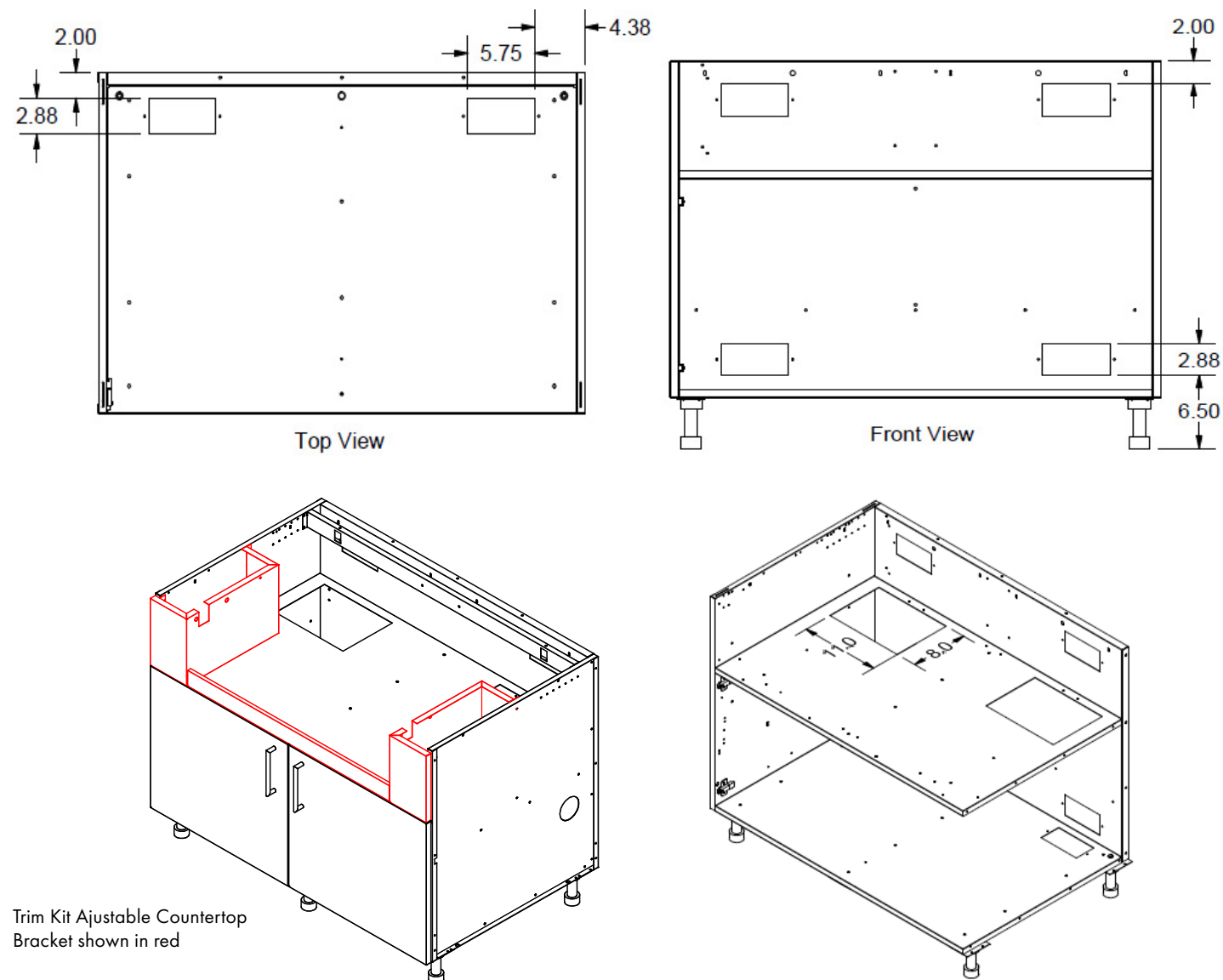
## Grill Cabinets - OGBxxxx

[\\*Return to Table of Contents](#)

- Available in widths from 30" - 62".
- Factory installed trim kits individually designed to accommodate all grill manufacturers.
- Cabinets available for additional cooking appliances such as range cooktops and Evo Grills.
- Grill Base or Grill/Warming Drawer Base specified MUST be 3-6" larger than the cutout width (i.e. 30"W grill cutout, 33-36" grill base).
- Some grill manufacturers (Wolf, Twin Eagles, Fire Magic) require a deeper cutout (11"H). This is denoted with a "H11" suffix. Example: OGB4802H11. Danver also offers an even deeper cutout and shelf (12.5"H). This is denoted with a "H12.5" suffix. Example: OGB4802H12.5. This shelf height is also needed when using a .75" countertop with a deep grill cutout.
- Pellet and charcoal smokers typically require a very large cutout and shelf (18.5"H).

\*NOTE: While our cabinetry can house most grill models on the market, they are not approved for use with Argentine or Santa Maria style grills, and/or odd shaped pellet grill models and grills that have their own cart attachment, (e.g., Recteq). If you are unsure if a particular grill can be housed in our cabinetry, please contact Sales@danver.com for clarification.

\*NOTE: Extra depth cabinets are not available in all sizes, please contact: Sales@danver.com for specific needs.



## Grill Cabinets - Shelf Height & Cutout calculation

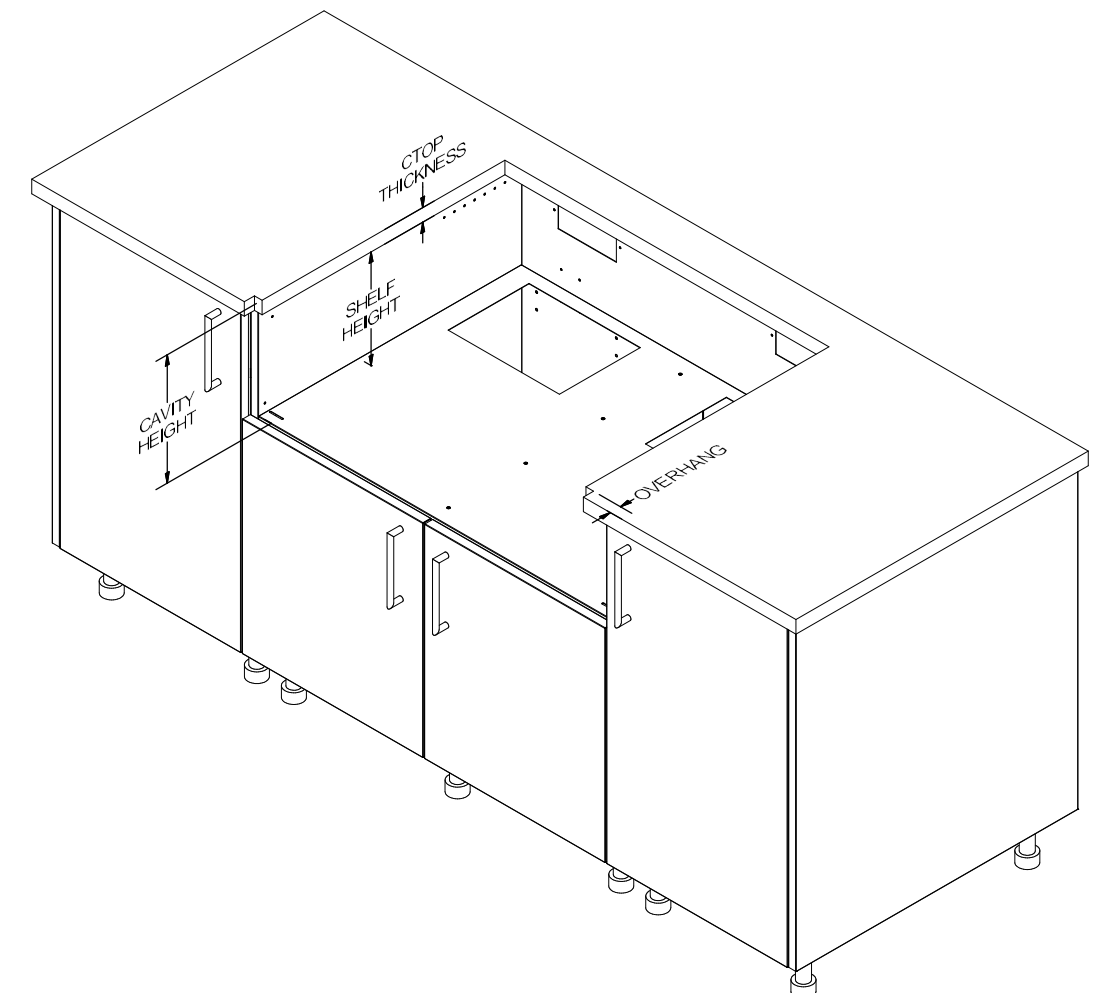
[\\*Return to Table of Contents](#)

Appliance Cabinet cutout height requirement is calculated as: **Shelf Height PLUS Counter Top Height MINUS Manufacturer Cutout Height**. If this calculation is a negative number, a cabinet with a deeper Shelf Height must be used. See example below for sizing.

- OBC/OBB/OGB/OGWxxxx standard appliance base **shelf height is 9.75"**
- OBC/OBB/OGB/OGWxxxxH11 appliance base **shelf height is 11"**
- OBC/OBB/OGBxxxxH12.5 appliance base **shelf height is 12.5"**
- OGBxxxxH15.5 grill base **shelf height is 15.5"**
- OGBxxxxH18.5 grill base **shelf height is 18.5"**

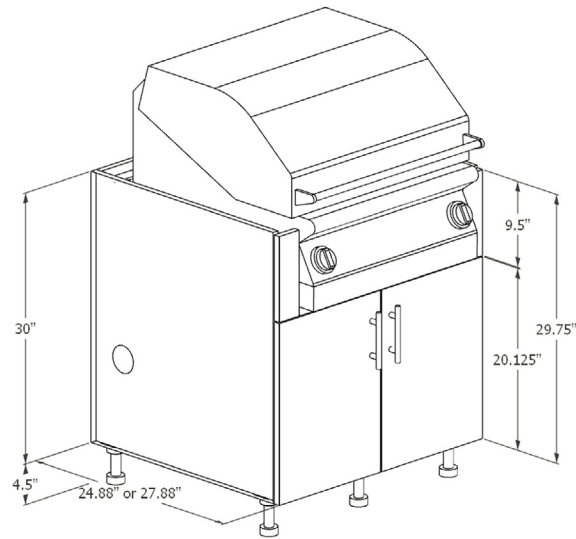
Appliance Base shelf height should be as close to the required Appliance cutout height as possible. Using a lower shelf height than required reduces the amount of usable cabinet storage space below the Appliance.

Example: Alfresco ALXE-42 40.5"W x 10.25"H x 23"D. The ALXE-42 installed with a 1.25" thick countertop will fit in a standard 9.75"H shelf depth Appliance cabinet. An 11"H shelf depth or greater should only be used in situations with multiple Appliances where required shelf heights differ.

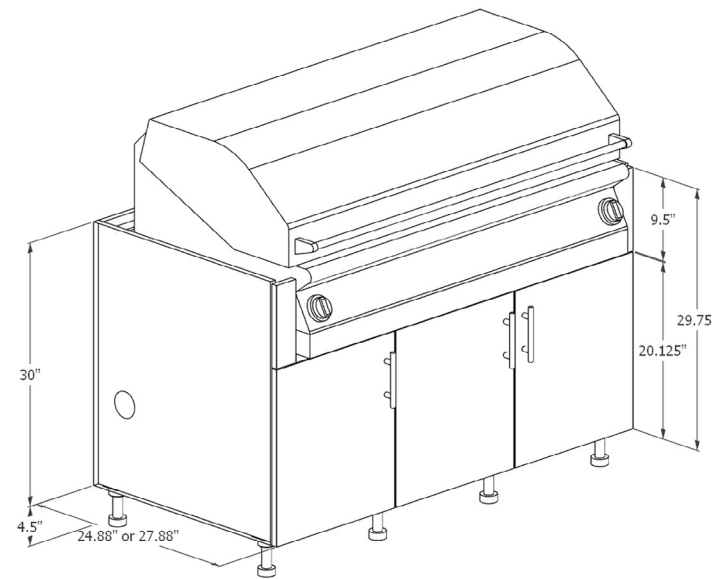


## Grill Cabinets - Doors: OGBxx02, OGBxx03

[\\*Return to Table of Contents](#)



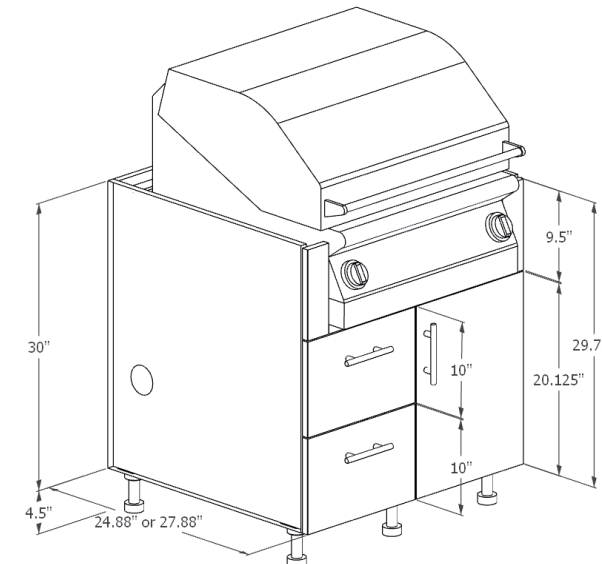
| Product Description  |               |
|--|---------------|
| OGBxx02: Outdoor Grill Base, 2 Doors.<br>9.75"H grill shelf (9.5"H trim kit sides) |               |
| 27" Depth SKU  | 24" Depth SKU |
| OGB3002  | OGB3002-24    |
| OGB3302  | OGB3302-24    |
| OGB3602  | OGB3602-24    |
| OGB3902  | OGB3902-24    |
| OGB4202  | OGB4202-24    |
| OGB4502  | OGB4502-24    |
| OGB4802  | OGB4802-24    |



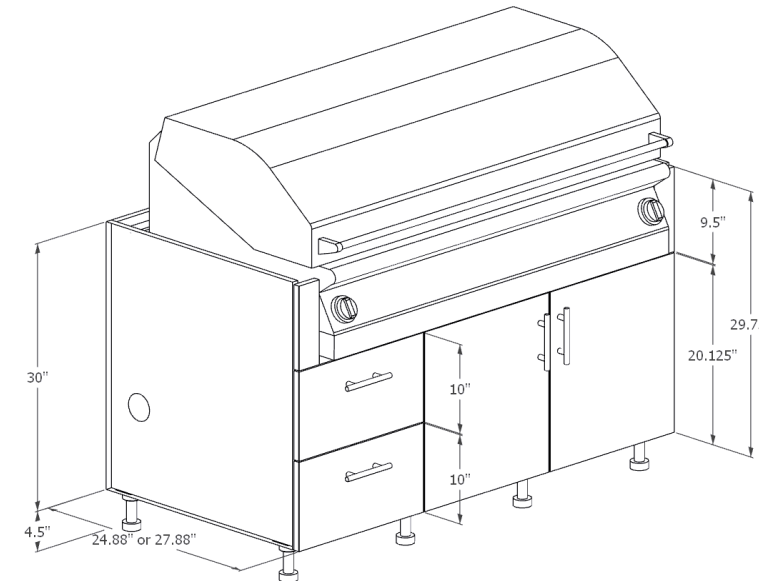
| Product Description  |               |
|--|---------------|
| OGBxx03: Outdoor Grill Base, 3 Doors.<br>9.75"H grill shelf (9.5"H trim kit sides) |               |
| 27" Depth SKU  | 24" Depth SKU |
| OGB5403  | OGB5403-24    |
| OGB5803  | OGB5803-24    |
| OGB6203  | OGB6203-24    |

## Grill Cabinets - Drawers/Doors: OGBxx21, OGBxx22, OGBxx41

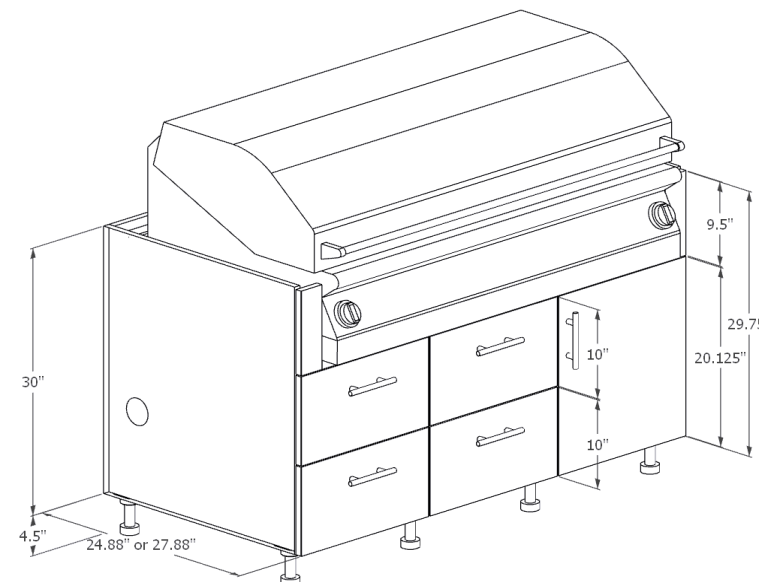
[\\*Return to Table of Contents](#)



| Product Description  |               |
|--|---------------|
| OGBxx21: Outdoor Grill Base, 2 Drawers,<br>1 Door. 9.75"H grill shelf (9.5"H trim kit sides) |               |
| 27" Depth SKU  | 24" Depth SKU |
| OGB3021  | OGB3021-24    |
| OGB3321  | OGB3321-24    |
| OGB3621  | OGB3621-24    |
| OGB3921  | OGB3921-24    |
| OGB4221  | OGB4221-24    |
| OGB4521  | OGB4521-24    |
| OGB4821  | OGB4821-24    |



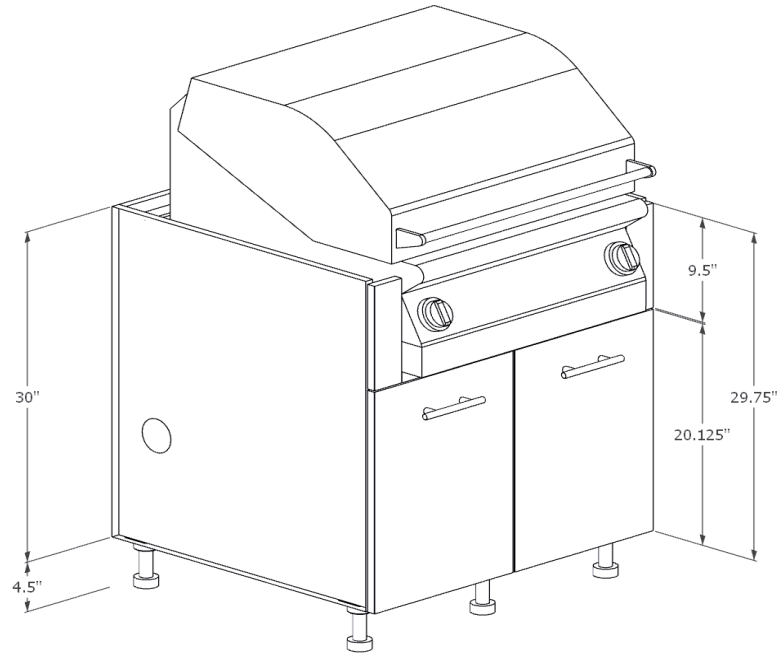
| Product Description   |               |
|---|---------------|
| OGBxx22: Outdoor Grill Base<br>2 Drawers, 2 Doors.<br>9.75"H grill shelf (9.5"H trim kit sides) |               |
| 27" Depth SKU   | 24" Depth SKU |
| OGB5422   | OGB5422-24    |
| OGB5822   | OGB5822-24    |
| OGB6222   | OGB6222-24    |



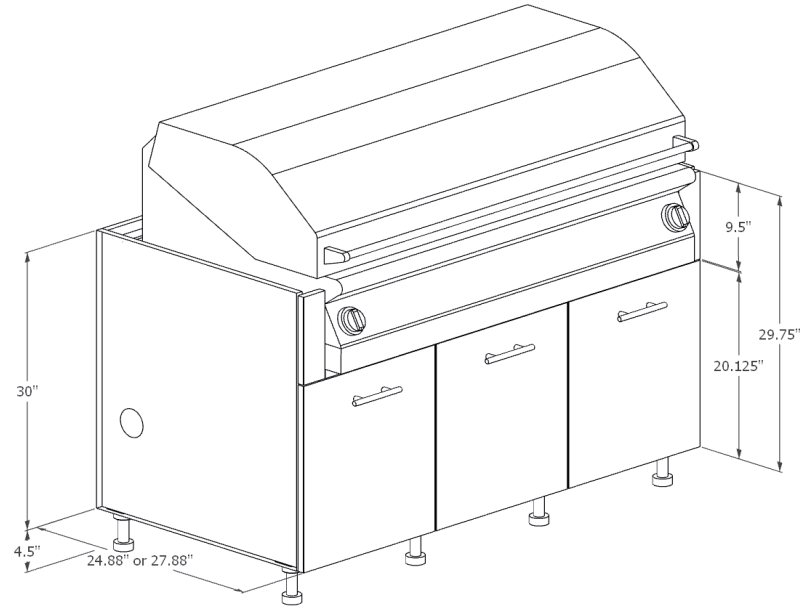
| Product Description   |               |
|---|---------------|
| OGBxx41: Outdoor Grill Base,<br>4 Drawers, 1 Door.<br>9.75"H grill shelf (9.5"H trim kit sides) |               |
| 27" Depth SKU   | 24" Depth SKU |
| OGB5441   | OGB5441-24    |
| OGB5841   | OGB5841-24    |
| OGB6241   | OGB6241-24    |

## Grill Cabinets - Full-Height Drawers: OGBxx20, OGBxx30

[\\*Return to Table of Contents](#)



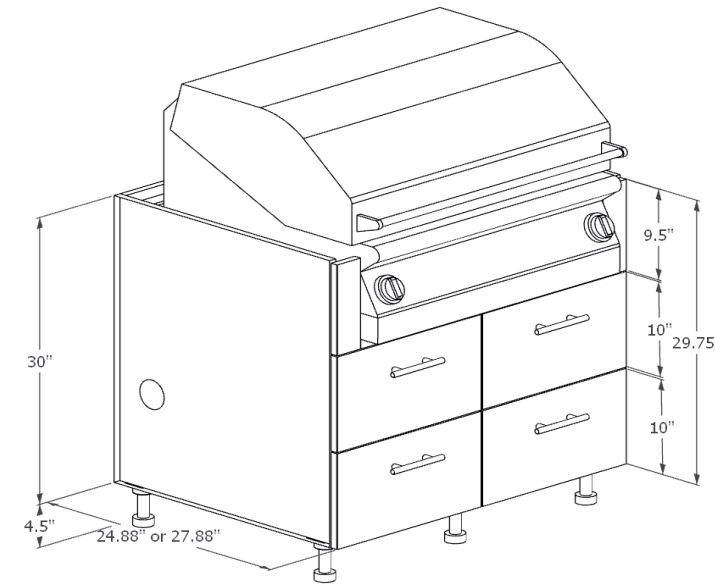
| Product Description   |               |
|---|---------------|
| OGBxx20: Outdoor Grill Base,<br>2 Full-Height Drawers.<br>9.75"H grill shelf (9.5"H trim kit sides) |               |
| 27" Depth SKU   | 24" Depth SKU |
| OGB3020   | OGB3020-24    |
| OGB3320   | OGB3320-24    |
| OGB3620   | OGB3620-24    |
| OGB3920   | OGB3920-24    |
| OGB4220   | OGB4220-24    |
| OGB4520   | OGB4520-24    |
| OGB4820   | OGB4820-24    |



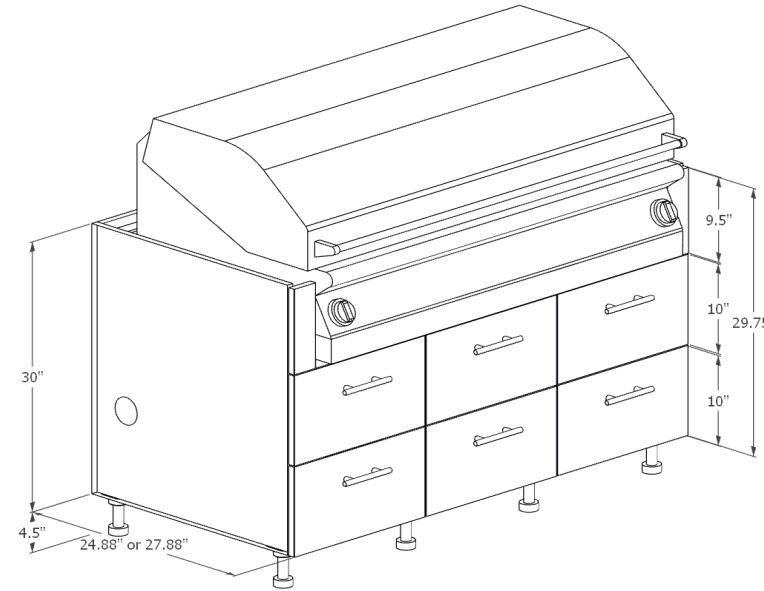
| Product Description   |               |
|---|---------------|
| OGBxx30: Outdoor Grill Base,<br>3 Full-Height Drawers.<br>9.75"H grill shelf (9.5"H trim kit sides) |               |
| 27" Depth SKU   | 24" Depth SKU |
| OGB5430   | OGB5430-24    |
| OGB5830   | OGB5830-24    |
| OGB6230   | OGB6230-24    |

## Grill Cabinets - Drawers: OGBxx40, OGBxx60

[\\*Return to Table of Contents](#)



| Product Description  |               |
|--|---------------|
| OGBxx40: Outdoor Grill Base, 4 Drawers.<br>9.75"H grill shelf (9.5"H trim kit sides) |               |
| 27" Depth SKU  | 24" Depth SKU |
| OGB3640  | OGB3640-24    |
| OGB3940  | OGB3940-24    |
| OGB4240  | OGB4240-24    |
| OGB4540  | OGB4540-24    |
| OGB4840  | OGB4840-24    |

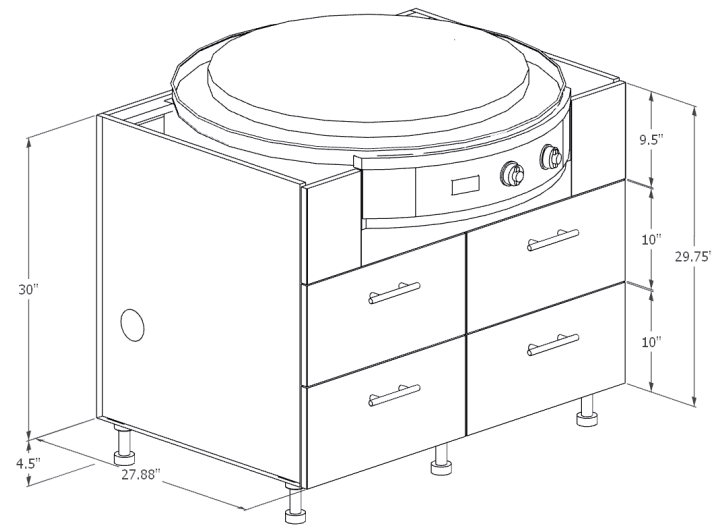
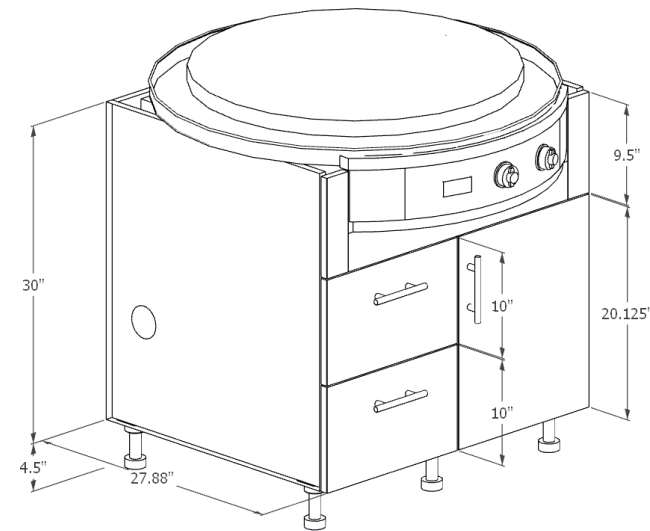
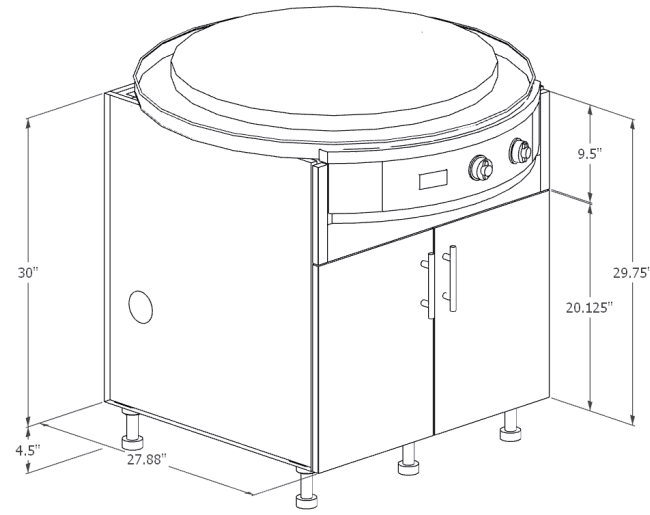


| Product Description  |               |
|--|---------------|
| OGBxx60: Outdoor Grill Base, 6 Drawers.<br>9.75"H grill shelf (9.5"H trim kit sides) |               |
| 27" Depth SKU  | 24" Depth SKU |
| OGB5460  | OGB5460-24    |
| OGB5860  | OGB5860-24    |
| OGB6260  | OGB6260-24    |



# Grill Cabinets - EVO: OGBxxxx-EVO

[\\*Return to Table of Contents](#)



Note: 25" and 30" EVO grills installed in 33" wide bases will overhang the cabinet sides and back slightly. Please see following page for top view and additional specifications.

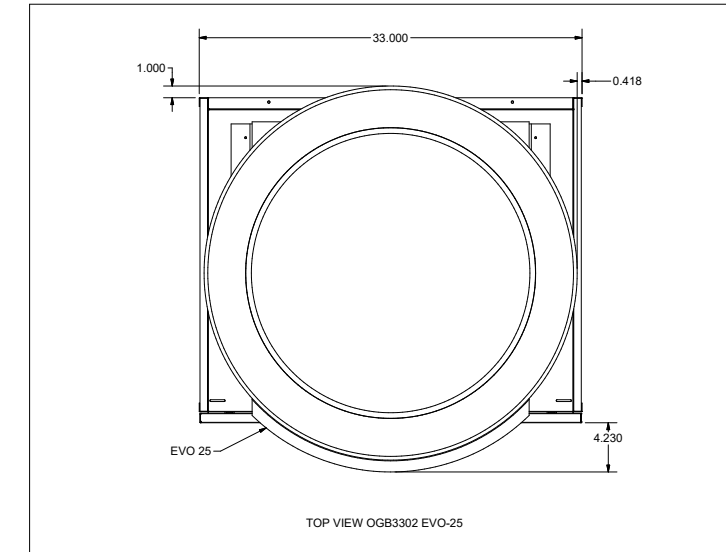
| Product Description  |               |
|--|---------------|
| OGBxx02-EVO: Outdoor Grill Base, 2 Doors. 9.75"H grill shelf (9.5"H trim kit sides),*countertop thickness must be 1.25"H*  |               |
| NOTE: EVO 25G Grill with a countertop thickness less than 1.25" will require a grill size of OGB33xx-EVO or larger. EVO 30G Grill must use a countertop thickness of 1.25" or thicker. |               |
| 27" Depth SKU  | 24" Depth SKU |
| OGB3302-EVO  | N/A           |
| OGB3602-EVO  | N/A           |
| OGB3902-EVO  | N/A           |
| OGB4202-EVO  | N/A           |

| Product Description  |               |
|--|---------------|
| OGBxx21-EVO:Outdoor Grill Base, 2 Drawers, 1 Door. 9.75"H grill shelf (9.5"H trim kit sides),*countertop thickness must be 1.25"H*   |               |
| NOTE: EVO 25G Grill with a countertop thickness less than 1.25" will require a grill size of OGB33xx-EVO or larger. EVO 30G Grill must use a countertop thickness of 1.25" or thicker. |               |
| 27" Depth SKU  | 24" Depth SKU |
| OGB3321-EVO  | N/A           |
| OGB3621-EVO  | N/A           |
| OGB3921-EVO  | N/A           |
| OGB4221-EVO  | N/A           |

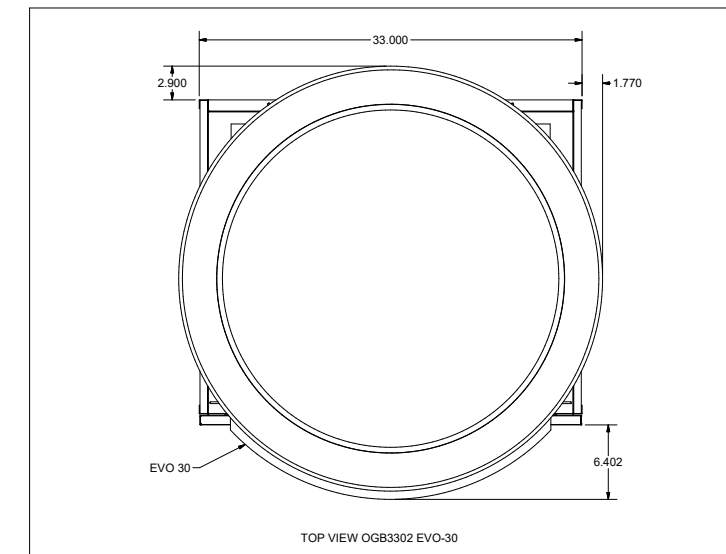
| Product Description  |               |
|--|---------------|
| OGBxx40-EVO:Outdoor Grill Base, 4 Drawers. 9.75"H grill shelf (9.5"H trim kit sides),*countertop thickness must be 1.25"H*   |               |
| NOTE: EVO 25G Grill with a countertop thickness less than 1.25" will require a grill size of OGB33xx-EVO or larger. EVO 30G Grill must use a countertop thickness of 1.25" or thicker. |               |
| 27" Depth SKU  | 24" Depth SKU |
| OGB3340-EVO  | N/A           |
| OGB3640-EVO  | N/A           |
| OGB3940-EVO  | N/A           |
| OGB4240-EVO  | N/A           |

# Grill Cabinets - EVO: OGB33xx-EVO details/top view

[\\*Return to Table of Contents](#)



Note: Top view of 25" EVO installed in OGB3302. There is no overhang on the cabinet sides but it does overhang by 1" on the cabinet back.



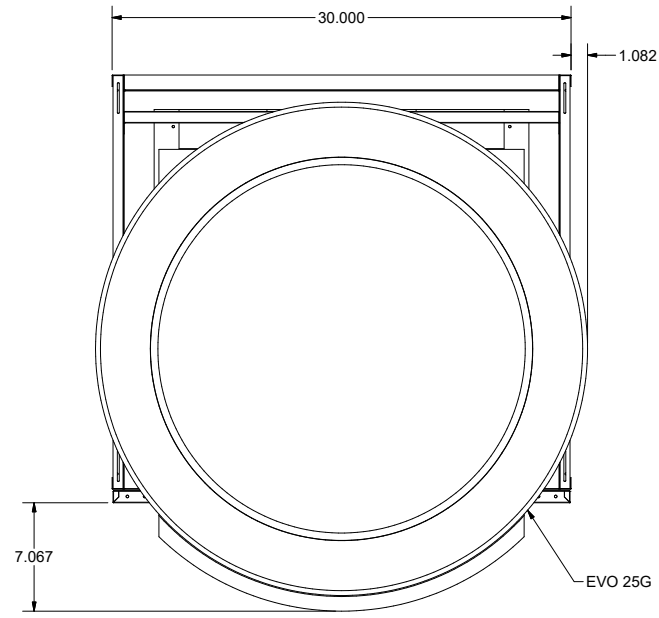
Note: Top view of 30" EVO installed in OGB3302. The grill overhangs 1.77" on the side as well as 2.9" on the cabinet back.

Note: If PPS PANELS are powder coated, the PPS SUPPORT MID and END parts will be powder coated as well.

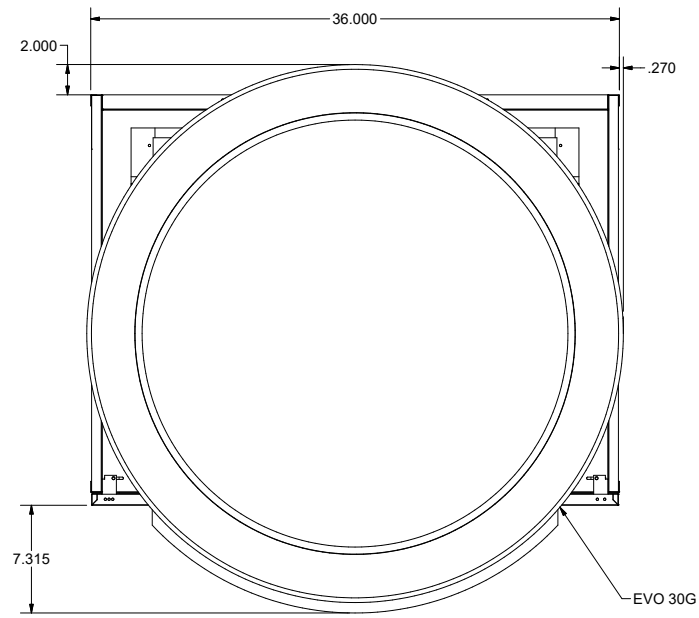
## Grill Cabinets - EVO: OGBxx30 & xx36-EVO details/top view

[\\*Return to Table of Contents](#)

Note: Top view of 25" EVO installed in OGB30xx. There is a 1.08" overhang on the cabinet sides.

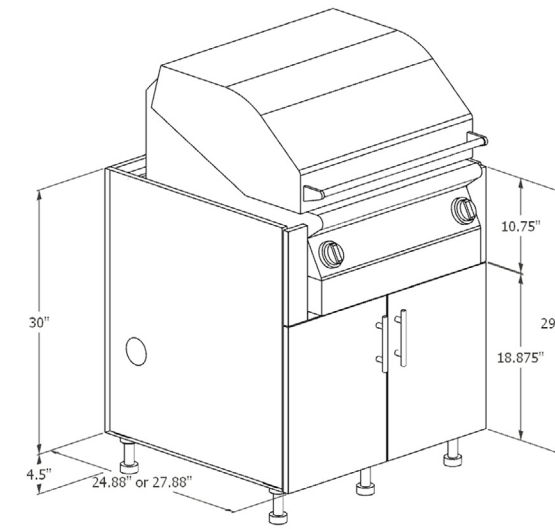


Note: Top view of 30" EVO installed in OGB36xx. The grill overhangs .27" on the sides as well as 2" in the back.

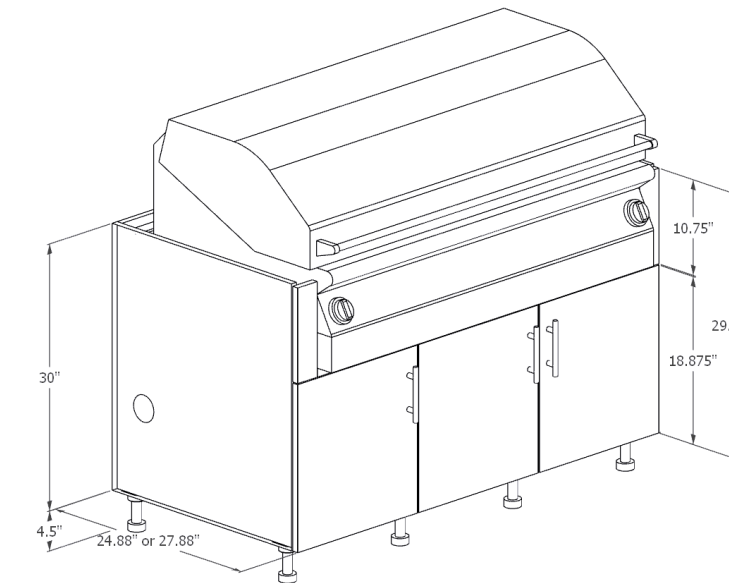


## Grill Cabinets - OGBxx02H11, OGBxx03H11

[\\*Return to Table of Contents](#)



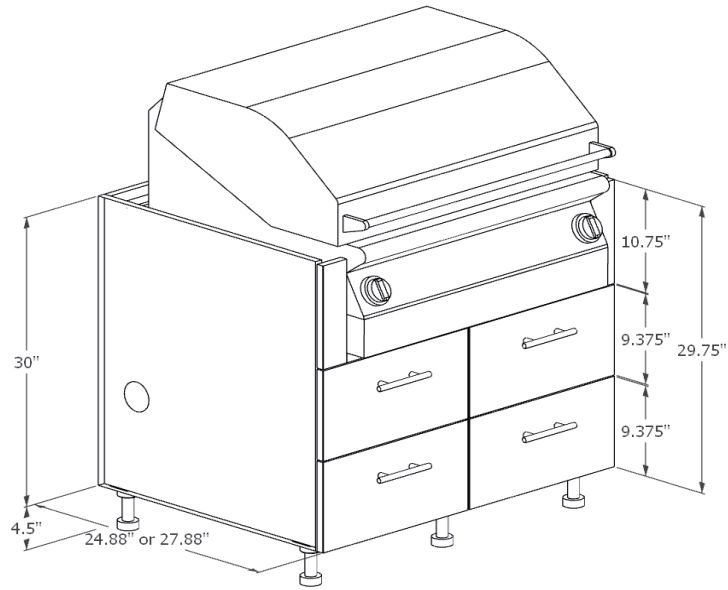
| Product Description  |               |
|--|---------------|
| OGBxx02H11: Outdoor Grill Base, 2 Doors, Deep. 11"H grill shelf (10.75"H trim kit sides) |               |
| 27" Depth SKU  | 24" Depth SKU |
| OGB3002H11   | OGB3002H11-24 |
| OGB3302H11   | OGB3302H11-24 |
| OGB3602H11   | OGB3602H11-24 |
| OGB4202H11   | OGB4202H11-24 |
| OGB4802H11   | OGB4802H11-24 |



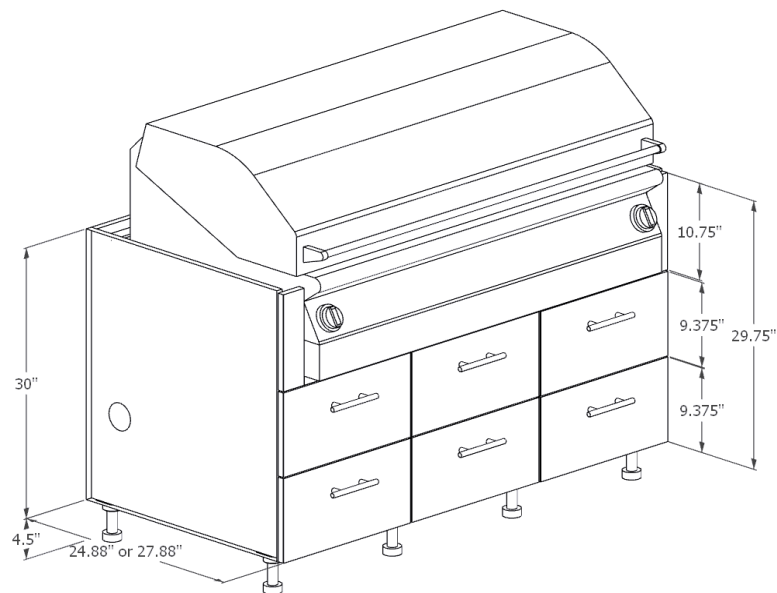
| Product Description  |               |
|--|---------------|
| OGBxx03H11: Outdoor Grill Base, 3 Doors, Deep. 11"H grill shelf (10.75"H trim kit sides) |               |
| 27" Depth SKU  | 24" Depth SKU |
| OGB5403H11   | OGB5403H11-24 |
| OGB5803H11   | OGB5803H11-24 |
| OGB6203H11   | OGB6203H11-24 |

# Grill Cabinets - OGBxx40H11, OGBxx60H11

[\\*Return to Table of Contents](#)



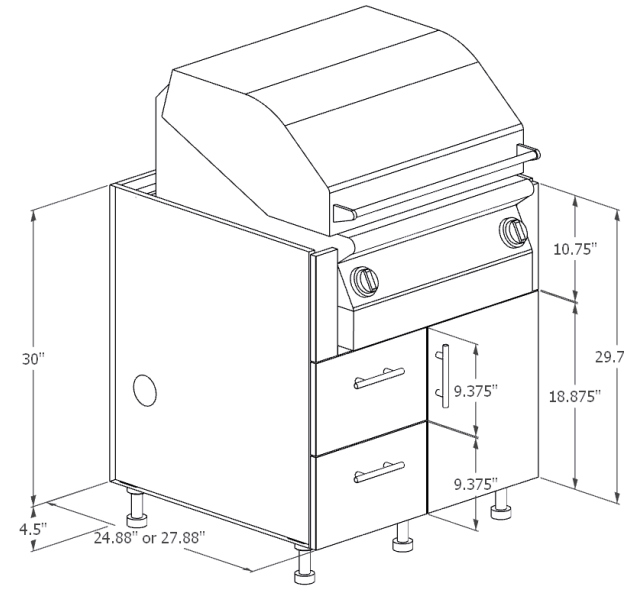
| Product Description  |               |
|--|---------------|
| OGBxx40H11: Outdoor Grill Base, 4 Drawers, Deep. 11"H grill shelf (10.75"H trim kit sides) |               |
| 27" Depth SKU  | 24" Depth SKU |
| OGB3640H11   | OGB3640H11-24 |
| OGB3940H11   | OGB3940H11-24 |
| OGB4240H11   | OGB4240H11-24 |
| OGB4540H11   | OGB4540H11-24 |
| OGB4840H11   | OGB4840H11-24 |



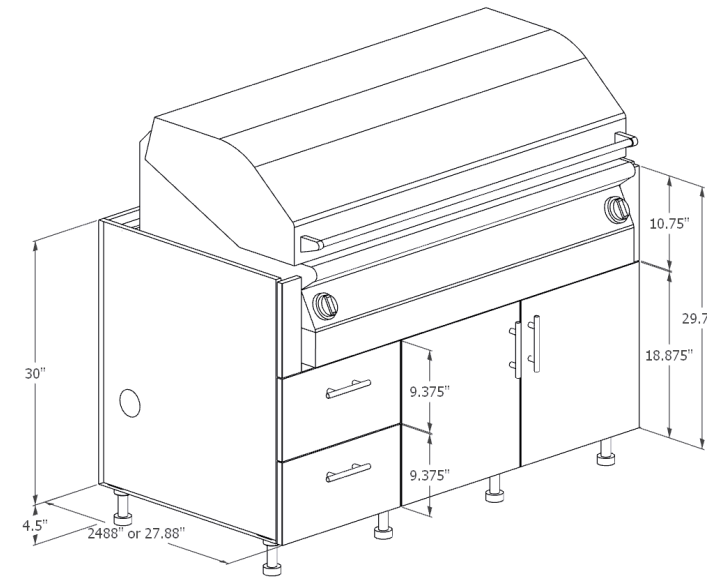
| Product Description  |               |
|--|---------------|
| OGBxx60H11: Outdoor Grill Base, Deep, 6 Drawers. 11"H grill shelf (10.75"H trim kit sides) |               |
| 27" Depth SKU  | 24" Depth SKU |
| OGB5460H11   | OGB5460H11-24 |
| OGB5860H11   | OGB5860H11-24 |
| OGB6260H11   | OGB6260H11-24 |

# Grill Cabinets - OGBxx21H11, xx22H11, xx41H11

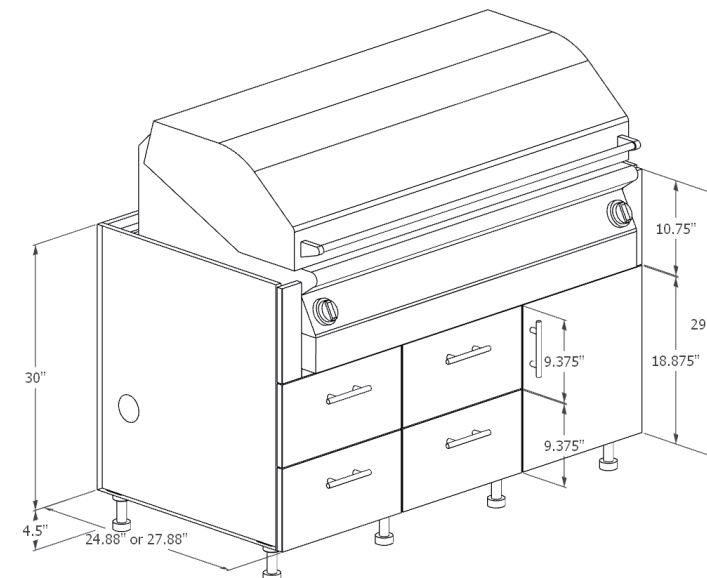
[\\*Return to Table of Contents](#)



| Product Description  |               |
|--|---------------|
| OGBxx21H11: Outdoor Grill Base, 2 Drawers, 1 Door, Deep. 11"H grill shelf (10.75"H trim kit sides) |               |
| 27" Depth SKU  | 24" Depth SKU |
| OGB3021H11   | OGB3021H11-24 |
| OGB3321H11   | OGB3321H11-24 |
| OGB3621H11   | OGB3621H11-24 |
| OGB3921H11   | OGB3921H11-24 |
| OGB4221H11   | OGB4221H11-24 |
| OGB4521H11   | OGB4521H11-24 |
| OGB4821H11   | OGB4821H11-24 |



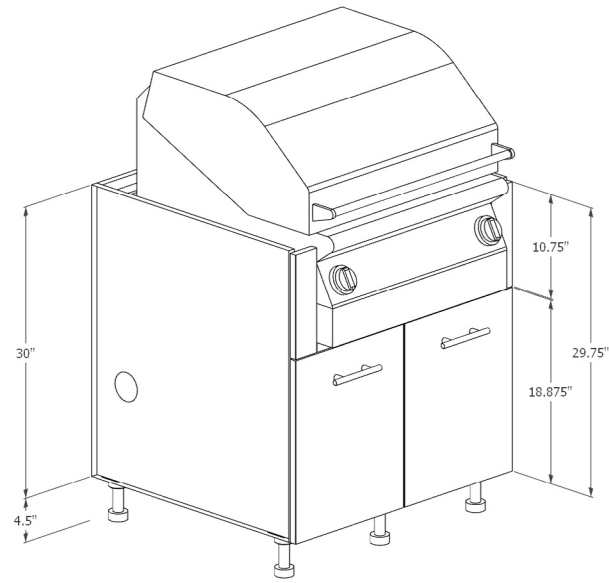
| Product Description   |               |
|---|---------------|
| OGBxx22H11: Outdoor Grill Base, Deep, 2 Drawers, 2 Doors. 11"H grill shelf (10.75"H trim kit sides) |               |
| 27" Depth SKU   | 24" Depth SKU |
| OGB5422H11  | OGB5422H11-24 |
| OGB5822H11  | OGB5822H11-24 |
| OGB6222H11  | OGB6222H11-24 |



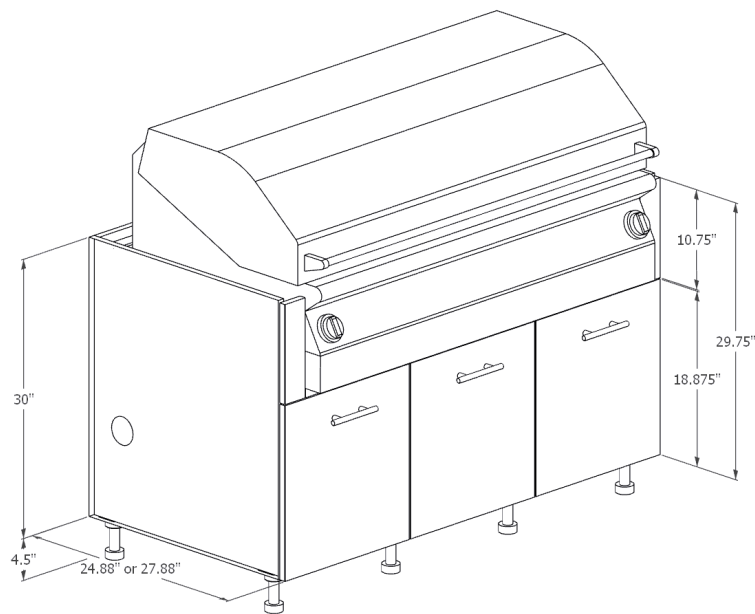
| Product Description  |               |
|--|---------------|
| OGBxx41H11: Outdoor Grill Base, Deep, 4 Drawers, 1 Door. 11"H grill shelf (10.75"H trim kit sides) |               |
| 27" Depth SKU  | 24" Depth SKU |
| OGB5441H11   | OGB5441H11-24 |
| OGB5841H11   | OGB5841H11-24 |
| OGB6241H11   | OGB6241H11-24 |

## Grill Cabinets - OGBxx20H11, OGBxx30H11

[\\*Return to Table of Contents](#)



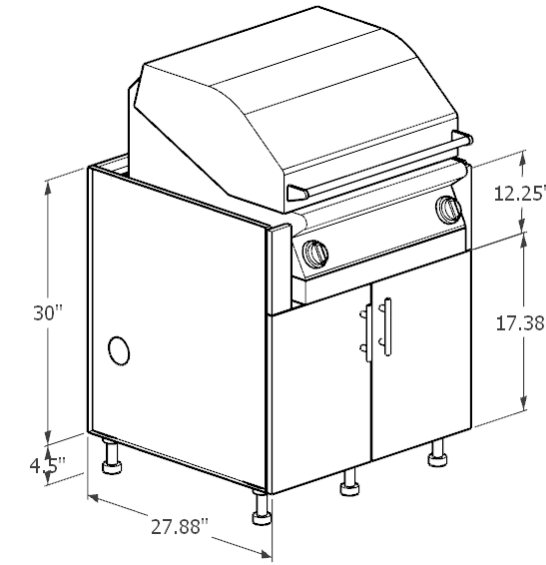
| Product Description  |               |
|--|---------------|
| OGBxx20H11: Outdoor Grill Base, Deep, 2 Full-Height Drawers. 11"H grill shelf (10.75"H trim kit sides) |               |
| 27" Depth SKU  | 24" Depth SKU |
| OGB3020H11   | OGB3020H11-24 |
| OGB3320H11   | OGB3320H11-24 |
| OGB3620H11   | OGB3620H11-24 |
| OGB3920H11   | OGB3920H11-24 |
| OGB4220H11   | OGB4220H11-24 |
| OGB4520H11   | OGB4520H11-24 |
| OGB4820H11   | OGB4820H11-24 |



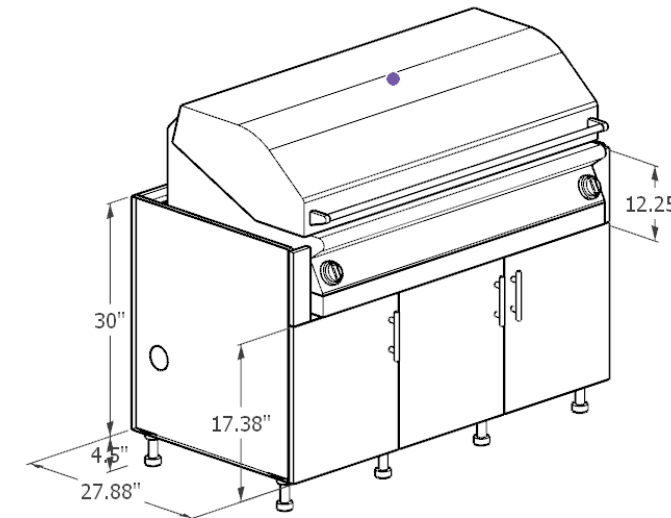
| Product Description  |               |
|--|---------------|
| OGBxx30H11: Outdoor Grill Base, Deep, 3 Full-Height Drawers. 11"H grill shelf (10.75"H trim kit sides) |               |
| 27" Depth SKU  | 24" Depth SKU |
| OGB5430H11   | OGB5430H11-24 |
| OGB5830H11   | OGB5830H11-24 |
| OGB6230H11   | OGB6230H11-24 |

## Grill Cabinets - OGBxx02H12.5, OGBxx03H12.5

[\\*Return to Table of Contents](#)



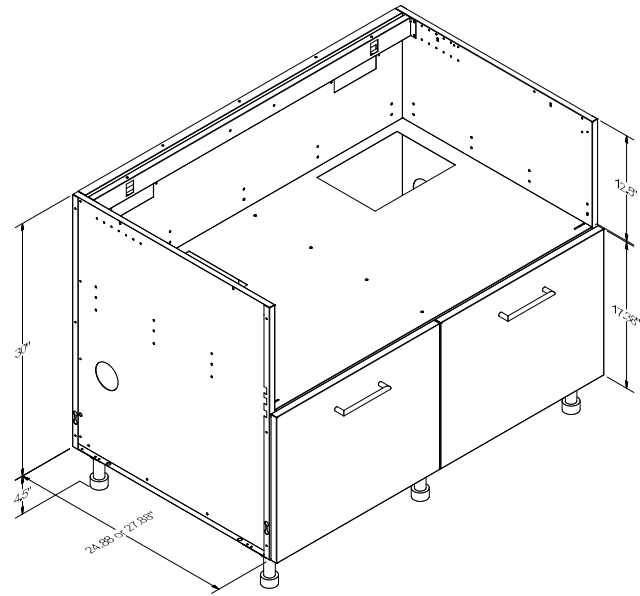
| Product Description  |                 |
|--|-----------------|
| OGBxx02H12.5: Outdoor Grill Base, 2 Doors. 12.5"H grill shelf (12.25"H trim kit sides) |                 |
| 27" Depth SKU  | 24" Depth SKU   |
| OGB3302H12.5   | OGB3302H12.5-24 |
| OGB3602H12.5   | OGB3602H12.5-24 |
| OGB3902H12.5   | OGB3902H12.5-24 |
| OGB4202H12.5   | OGB4202H12.5-24 |
| OGB4502H12.5   | OGB4502H12.5-24 |
| OGB4802H12.5   | OGB4802H12.5-24 |



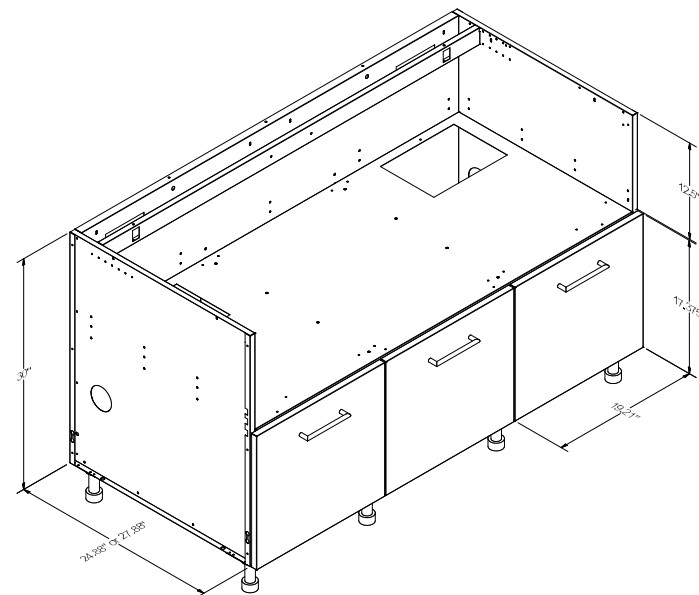
| Product Description  |                 |
|--|-----------------|
| OGBxx03H12.5: Outdoor Grill Base, 3 Doors. 12.5"H grill shelf (12.25"H trim kit sides) |                 |
| 27" Depth SKU  | 24" Depth SKU   |
| OGB5403H12.5   | OGB5403H12.5-24 |
| OGB5803H12.5   | OGB5803H12.5-24 |
| OGB6203H12.5   | OGB6203H12.5-24 |

## Grill Cabinets - OGBxx20H12.5, OGBxx30H12.5

[\\*Return to Table of Contents](#)



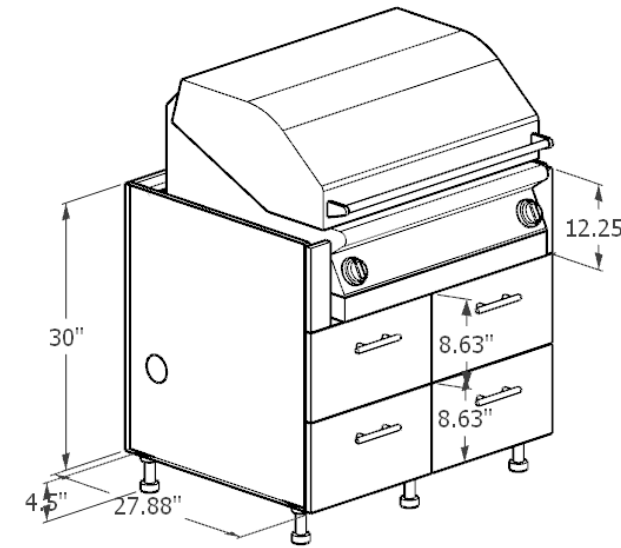
| Product Description   |                 |
|---|-----------------|
| OGBxx20H12.5: Outdoor Grill Base,<br>2 Drawers<br>12.5"H grill shelf (12.25"H trim kit sides) |                 |
| 27" Depth SKU   | 24" Depth SKU   |
| OGB3020H12.5  | OGB3020H12.5-24 |
| OGB3320H12.5  | OGB3320H12.5-24 |
| OGB3620H12.5  | OGB3620H12.5-24 |
| OGB3920H12.5  | OGB3920H12.5-24 |
| OGB4220H12.5  | OGB4220H12.5-24 |
| OGB4520H12.5  | OGB4520H12.5-24 |
| OGB4820H12.5  | OGB4820H12.5-24 |



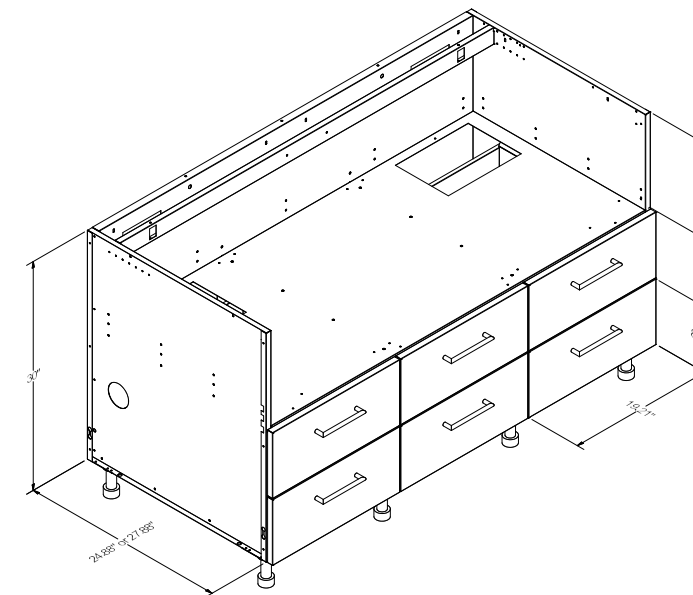
| Product Description  |                 |
|--|-----------------|
| OGBxx30H12.5: Outdoor Grill Base,<br>3 Drawers.<br>12.5"H grill shelf (12.25"H trim kit sides) |                 |
| 27" Depth SKU  | 24" Depth SKU   |
| OGB5430H12.5   | OGB5430H12.5-24 |
| OGB5830H12.5   | OGB5830H12.5-24 |
| OGB6230H12.5   | OGB6230H12.5-24 |

## Grill Cabinets - OGBxx40H12.5, OGBxx60H12.5

[\\*Return to Table of Contents](#)



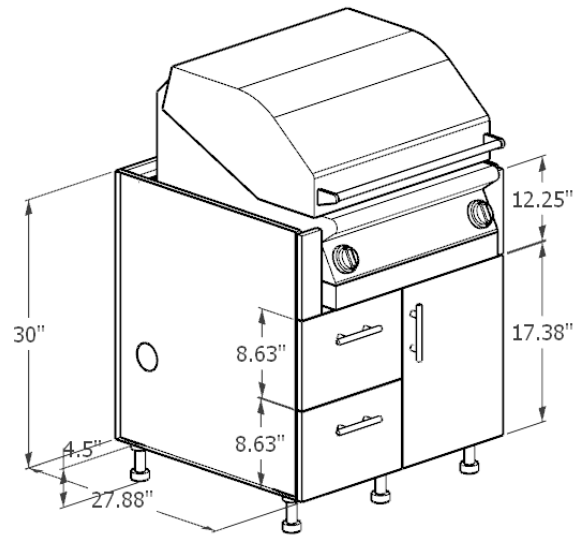
| Product Description   |                 |
|---|-----------------|
| OGBxx40H12.5: Outdoor Grill Base,<br>4 Drawers<br>12.5"H grill shelf (12.25"H trim kit sides) |                 |
| 27" Depth SKU   | 24" Depth SKU   |
| OGB3640H12.5  | OGB3640H12.5-24 |
| OGB3940H12.5  | OGB3940H12.5-24 |
| OGB4240H12.5  | OGB4240H12.5-24 |
| OGB4540H12.5  | OGB4540H12.5-24 |
| OGB4840H12.5  | OGB4840H12.5-24 |



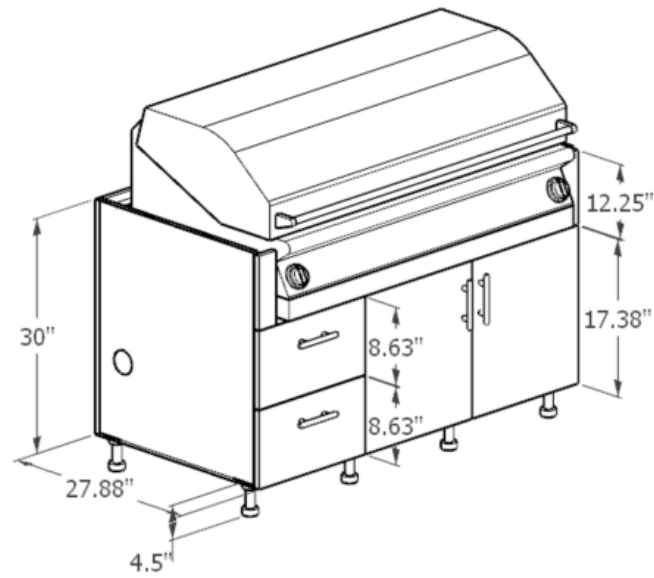
| Product Description   |                 |
|---|-----------------|
| OGBxx60H12.5: Outdoor Grill Base,<br>6 Drawers<br>12.5"H grill shelf (12.25"H trim kit sides) |                 |
| 27" Depth SKU   | 24" Depth SKU   |
| OGB5460H12.5  | OGB5460H12.5-24 |
| OGB5860H12.5  | OGB5860H12.5-24 |
| OGB6260H12.5  | OGB6260H12.5-24 |

# Grill Cabinets - OGBxx21H12.5, xx22H12.5, xx41H12.5

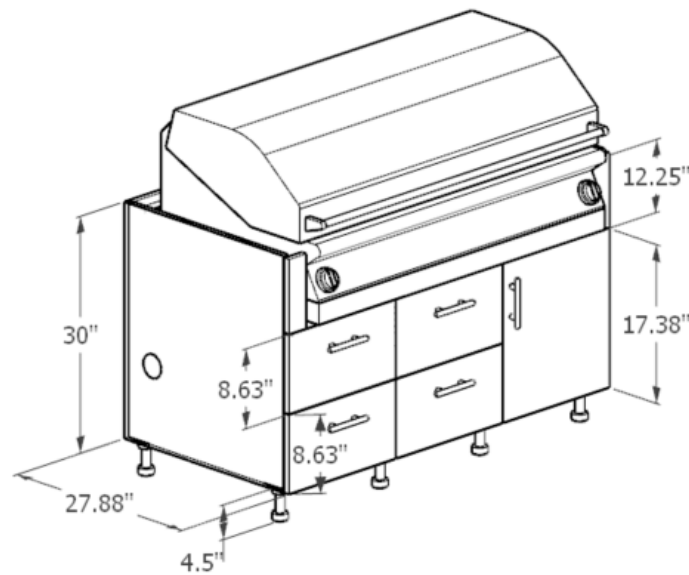
[\\*Return to Table of Contents](#)



| Product Description  |                 |
|--|-----------------|
| OGBxx21H12.5: Outdoor Grill Base, 2 Drawers, 1 Door<br>12.5"H grill shelf (12.25"H trim kit sides) |                 |
| 27" Depth SKU  | 24" Depth SKU   |
| OGB3621H12.5   | OGB3621H12.5-24 |
| OGB3921H12.5   | OGB3921H12.5-24 |
| OGB4221H12.5   | OGB4221H12.5-24 |
| OGB4521H12.5   | OGB4521H12.5-24 |
| OGB4821H12.5   | OGB4821H12.5-24 |



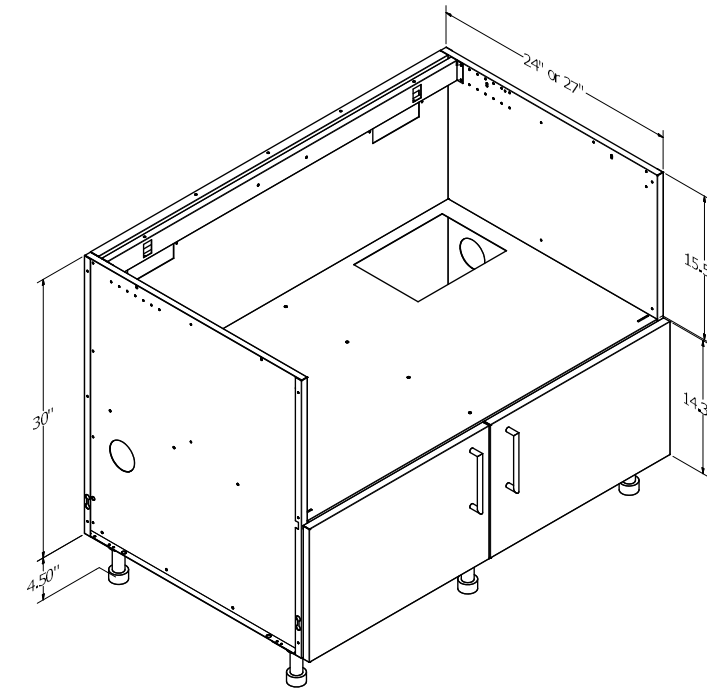
| Product Description  |                 |
|--|-----------------|
| OGBxx22H12.5: Outdoor Grill Base, 2 Drawers, 2 Doors.<br>12.5"H grill shelf (12.25"H trim kit sides) |                 |
| 27" Depth SKU  | 24" Depth SKU   |
| OGB5422H12.5   | OGB5422H12.5-24 |
| OGB5822H12.5   | OGB5822H12.5-24 |
| OGB6222H12.5   | OGB6222H12.5-24 |



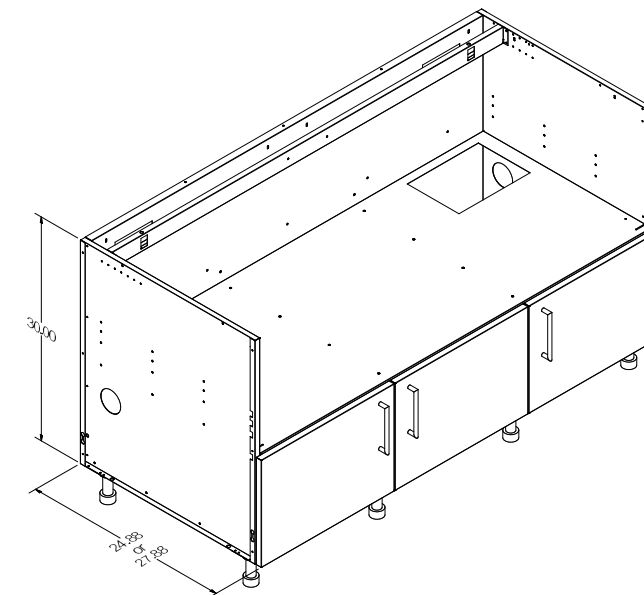
| Product Description   |                 |
|---|-----------------|
| OGBxx41H12.5: Outdoor Grill Base, 4 Drawers, 1 Door.<br>12.5"H grill shelf (12.25"H trim kit sides) |                 |
| 27" Depth SKU   | 24" Depth SKU   |
| OGB5441H12.5  | OGB5441H12.5-24 |
| OGB5841H12.5  | OGB5841H12.5-24 |
| OGB6241H12.5  | OGB6241H12.5-24 |

# Grill Cabinets - OGBxx02H15.5, OGBxx03H15.5

[\\*Return to Table of Contents](#)



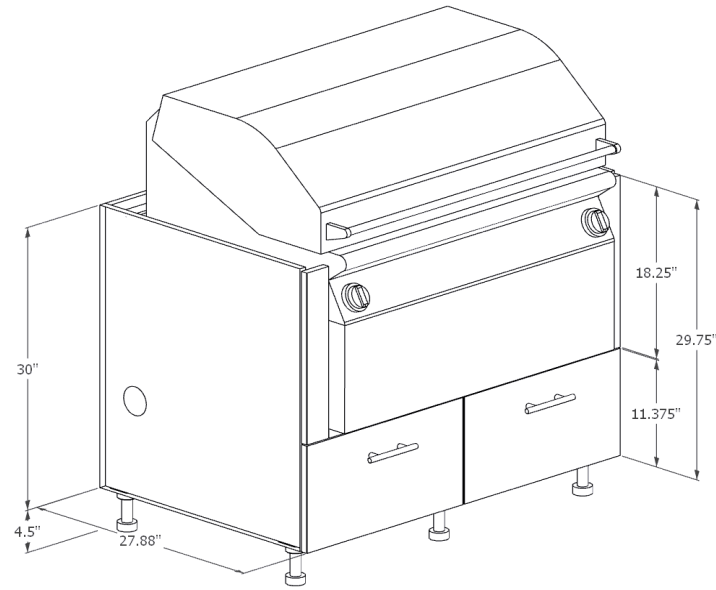
| Product Description  |                 |
|--|-----------------|
| OGBxx02H15.5: Outdoor Grill Base, 2 Doors, Deep. 15.5"H grill shelf (15.25"H trim kit sides) |                 |
| 27" Depth SKU  | 24" Depth SKU   |
| OGB3002H15.5   | OGB3002H15.5-24 |
| OGB3302H15.5   | OGB3302H15.5-24 |
| OGB3602H15.5   | OGB3602H15.5-24 |
| OGB4202H15.5   | OGB4202H15.5-24 |
| OGB4802H15.5   | OGB4802H15.5-24 |



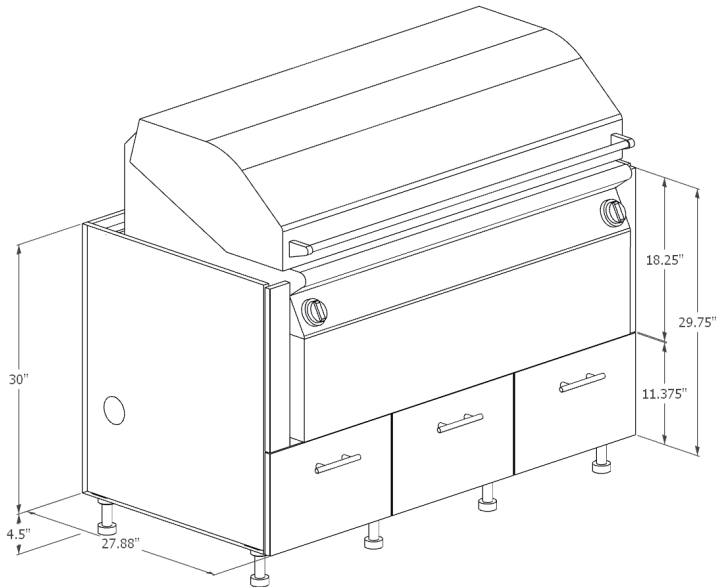
| Product Description  |                 |
|--|-----------------|
| OGBxx03H15.5: Outdoor Grill Base, 3 Doors, Deep. 15.5"H grill shelf (15.25"H trim kit sides) |                 |
| 27" Depth SKU  | 24" Depth SKU   |
| OGB5403H15.5   | OGB5403H15.5-24 |
| OGB5803H15.5   | OGB5803H15.5-24 |
| OGB6203H15.5   | OGB6203H15.5-24 |

## Grill Cabinets - OGBxx20H18.5, OGBxx30H18.5

[\\*Return to Table of Contents](#)



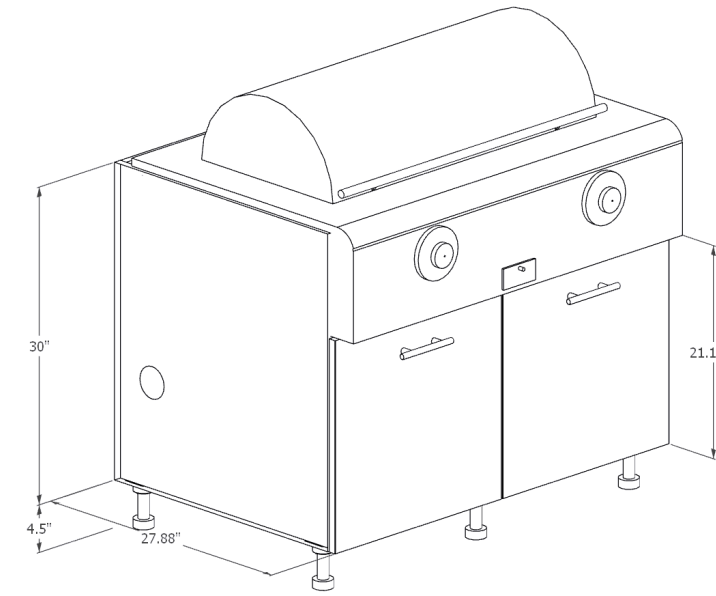
| Product Description  |               |
|--|---------------|
| OGBxx20H18.5: Outdoor Grill Base<br>2 Drawers, extra deep shelf, for Hasty Bake<br>grills and other extra deep cooking appliances.<br>18.50"H grill shelf (18.25"H trim kit sides) |               |
| 27" Depth SKU  | 24" Depth SKU |
| OGB3020H18.5   | N/A           |
| OGB3320H18.5   | N/A           |
| OGB3620H18.5   | N/A           |
| OGB3920H18.5   | N/A           |
| OGB4220H18.5   | N/A           |
| OGB4520H18.5   | N/A           |
| OGB4820H18.5   | N/A           |



| Product Description   |               |
|---|---------------|
| OGBxx30H18.5: Outdoor Grill Base, 3 Drawers,<br>for Hasty Bake grills and other extra deep<br>cooking appliances.<br>18.50"H grill shelf (18.25"H trim kit sides) |               |
| 27" Depth SKU   | 24" Depth SKU |
| OGB5430H18.5  | N/A           |
| OGB5830H18.5  | N/A           |

## Grill Cabinets - OGBxx20-CALIBER ROCKWELL

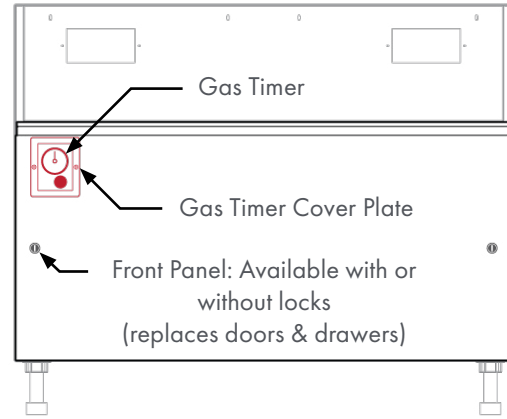
[\\*Return to Table of Contents](#)



| Product Description   |               |
|---|---------------|
| OGBxx20-CALIBER ROCKWELL:<br>Outdoor Grill Base, 2 Drawers, 9.75"H grill shelf. Used<br>ONLY for Caliber Rockwell grills of the same size, *NO<br>TRIM KIT NEEDED! *this cabinet cannot be used on the<br>end of a run, please call sales rep to discuss* |               |
| 27" Depth SKU   | 24" Depth SKU |
| OGB4220-CALIBER ROCKWELL  | N/A           |
| OGB4820-CALIBER ROCKWELL  | N/A           |

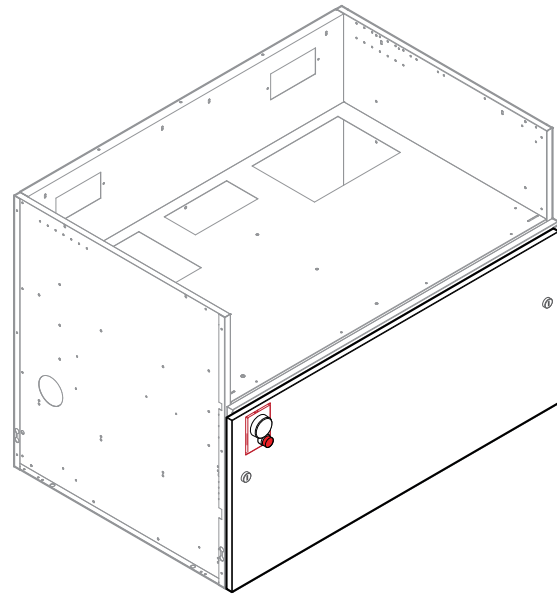
# Grill Cabinets - Gas Stop Timer: OGBxx00 GS, OGBxx00H11 GS

[\\*Return to Table of Contents](#)



| Product Description   |               |
|---|---------------|
| OGBxx00 GS: Outdoor Grill Base, No Doors/Drawers, Full bottom Tecno-style Panel with 1-hour Gas Shutoff Timer included. 9.75"H grill shelf (9.5"H trim kit sides) |               |
| 27" Depth SKU   | 24" Depth SKU |
| OGB3300 GS  | OGB3300-24 GS |
| OGB3600 GS  | OGB3600-24 GS |
| OGB3900 GS  | OGB3900-24 GS |
| OGB4200 GS  | OGB4200-24 GS |
| OGB4500 GS  | OGB4500-24 GS |
| OGB4800 GS  | OGB4800-24 GS |
| OGB5400 GS  | OGB5400-24 GS |
| OGB5800 GS  | OGB5800-24 GS |

Note: Gas Stop Timer bases 45"+ come with two identical cover plates split in the middle. The timer will remain on the left side when facing the base from the front.

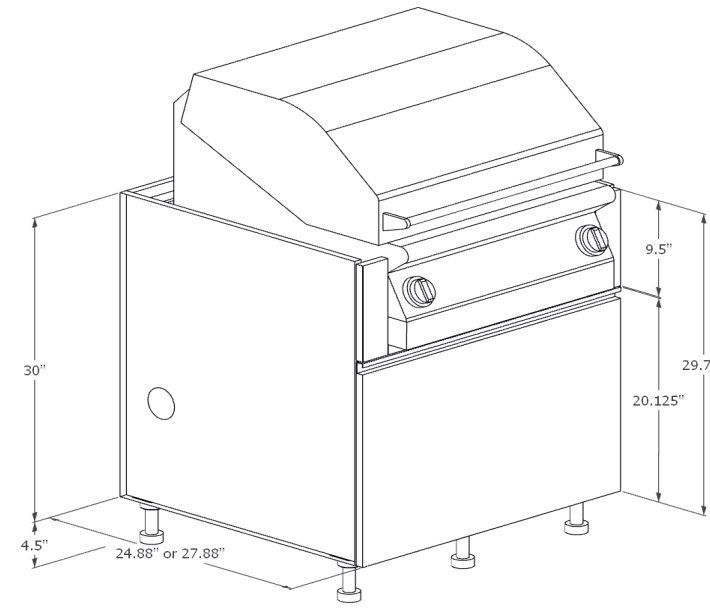


| Product Description   |                  |
|---|------------------|
| OGBxx00H11 GS: Outdoor Grill Base Deep, No Doors/Drawers, Full bottom Tecno-style Panel with 1-hour Gas Shutoff Timer included. 11"H grill shelf (10.75"H trim kit sides) |                  |
| 27" Depth SKU   | 24" Depth SKU    |
| OGB3300H11 GS   | OGB3300H11-24 GS |
| OGB3600H11 GS   | OGB3600H11-24 GS |
| OGB3900H11 GS   | OGB3900H11-24 GS |
| OGB4200H11 GS   | OGB4200H11-24 GS |
| OGB4500H11 GS   | OGB4500H11-24 GS |
| OGB4800H11 GS   | OGB4800H11-24 GS |
| OGB5400H11 GS   | OGB5400H11-24 GS |
| OGB5800H11 GS   | OGB5800H11-24 GS |

Note: Gas Stop Timer bases 45"+ come with two identical cover plates split in the middle. The timer will remain on the left side when facing the base from the front.

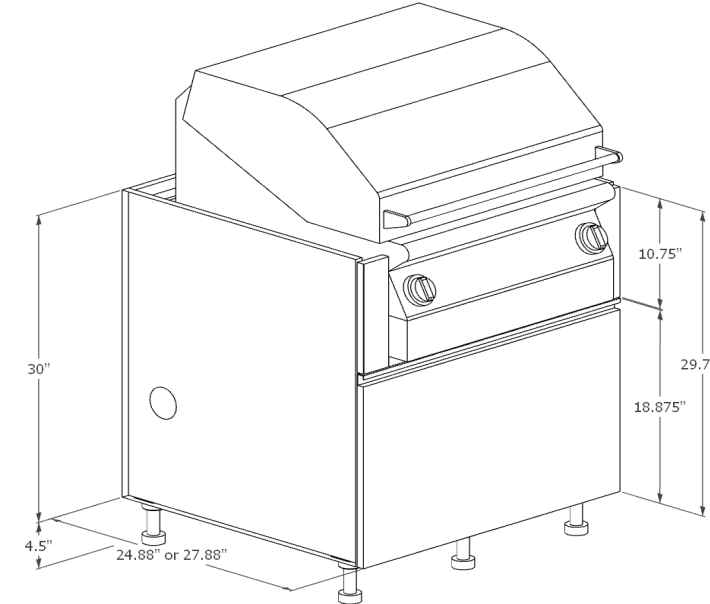
# Grill Cabinets - Tecno Style: OGBxx00, OGBxx00H11

[\\*Return to Table of Contents](#)



| Product Description  |               |
|--|---------------|
| OGBxx00: Outdoor Grill Base, No Doors/Drawers, Full-Face Tecno-style Panel, installed on magnets with no hinges. 9.75"H grill shelf (9.5"H trim kit sides) |               |
| 27" Depth SKU  | 24" Depth SKU |
| OGB3300  | OGB3300-24    |
| OGB3600  | OGB3600-24    |
| OGB3900  | OGB3900-24    |
| OGB4200  | OGB4200-24    |
| OGB4500  | OGB4500-24    |
| OGB4800  | OGB4800-24    |
| OGB5400  | OGB5400-24    |
| OGB5800  | OGB5800-24    |

Note: Tecno-style grill bases 45"+ come with two identical cover plates split in the middle. The timer will remain on the left side when facing the base from the front.



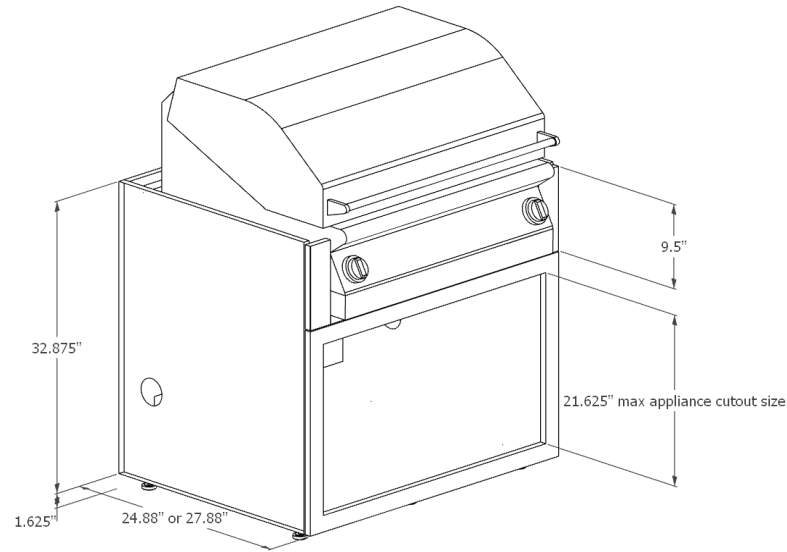
| Product Description  |               |
|--|---------------|
| OGBxx00H11: Outdoor Grill Base Deep, No Doors/Drawers, Full-Face Tecno-style Panel, installed on magnets with no hinges. 11"H grill shelf (10.75"H trim kit sides) |               |
| 27" Depth SKU  | 24" Depth SKU |
| OGB3300H11   | OGB3300H11-24 |
| OGB3600H11   | OGB3600H11-24 |
| OGB3900H11   | OGB3900H11-24 |
| OGB4200H11   | OGB4200H11-24 |
| OGB4500H11   | OGB4500H11-24 |
| OGB4800H11   | OGB4800H11-24 |
| OGB5400H11   | OGB5400H11-24 |
| OGB5800H11   | OGB5800H11-24 |

Note: Tecno-style grill bases 45"+ come with two identical cover plates split in the middle. The timer will remain on the left side when facing the base from the front.

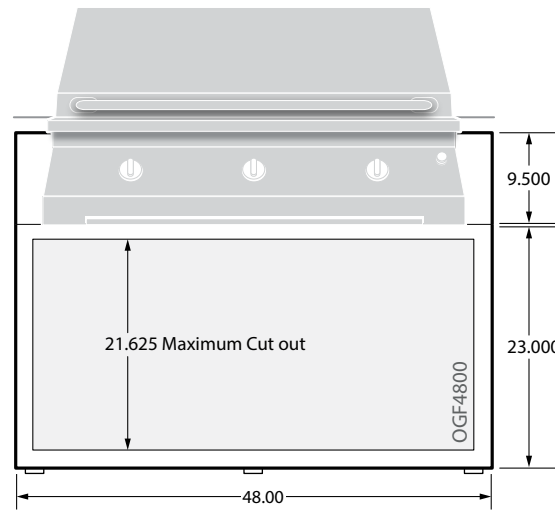


# Grill/Large Insert Cabinets - OGFxx00

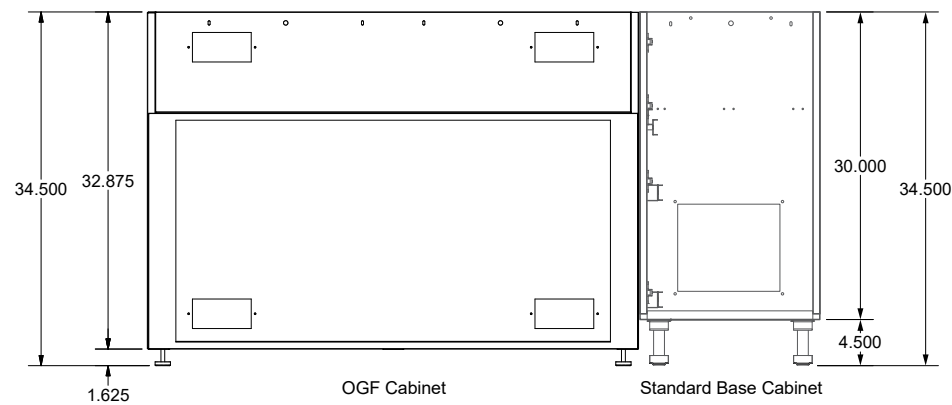
[\\*Return to Table of Contents](#)



| Product Description  |               |
|--|---------------|
| OGFxx00: Outdoor Grill Base for grill and large insert such as refrigerator or dry pantry. 9.75"H grill shelf (9.5"H trim kit sides) |               |
| 27" Depth SKU  | 24" Depth SKU |
| OGF3600  | OGF3600-24    |
| OGF4200  | OGF4200-24    |
| OGF4800  | OGF4800-24    |
| OGF5400  | OGF5400-24    |
| OGF6200  | OGF6200-24    |

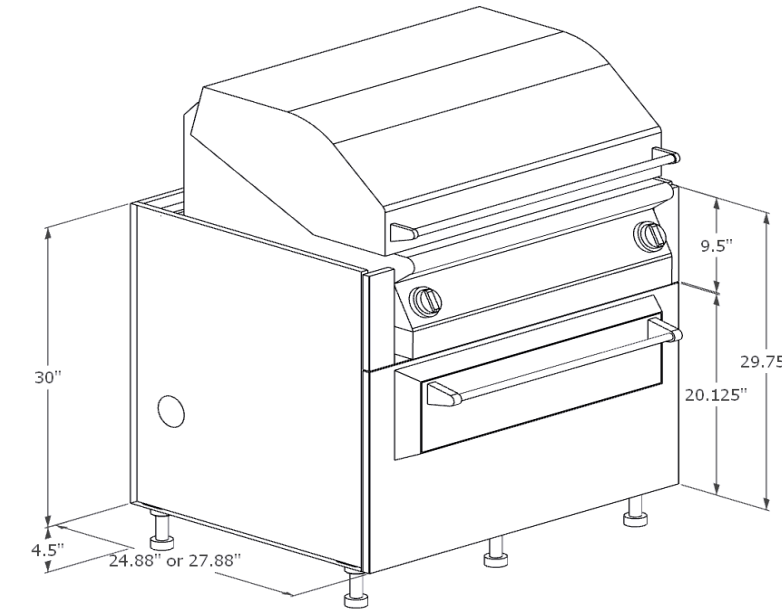


NOTE: OGF bases have a larger cabinet box than standard cabinets.

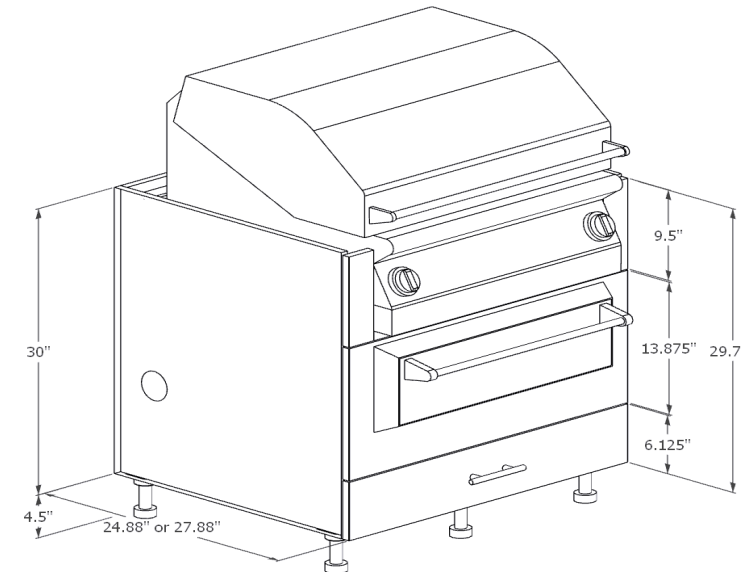


# Grill/Warming Drawer Cabinets - OGWxx00, OGWxx10

[\\*Return to Table of Contents](#)



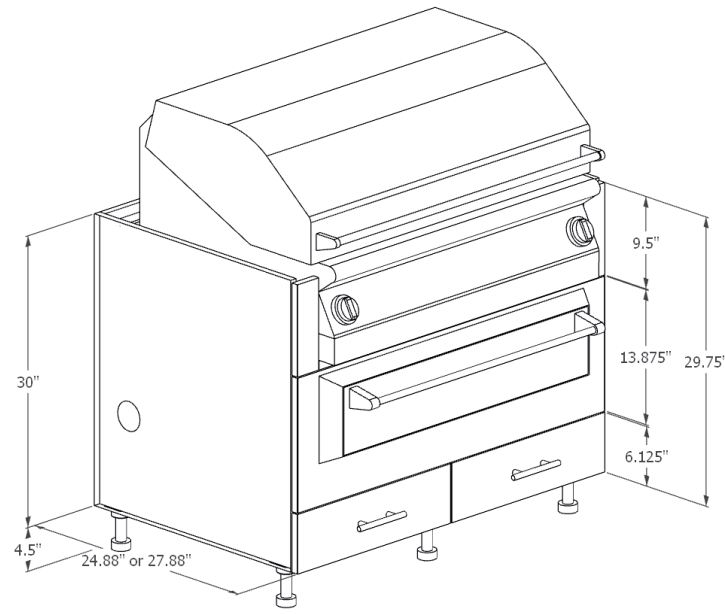
| Product Description   |               |
|---|---------------|
| OGWxx00: Outdoor Grill Base for Warming Drawer Insert, No Doors or Drawers. 9.75"H grill shelf (9.5"H trim kit sides) |               |
| 27" Depth SKU   | 24" Depth SKU |
| OGW3600   | N/A           |
| OGW4200   | N/A           |
| OGW4800   | N/A           |



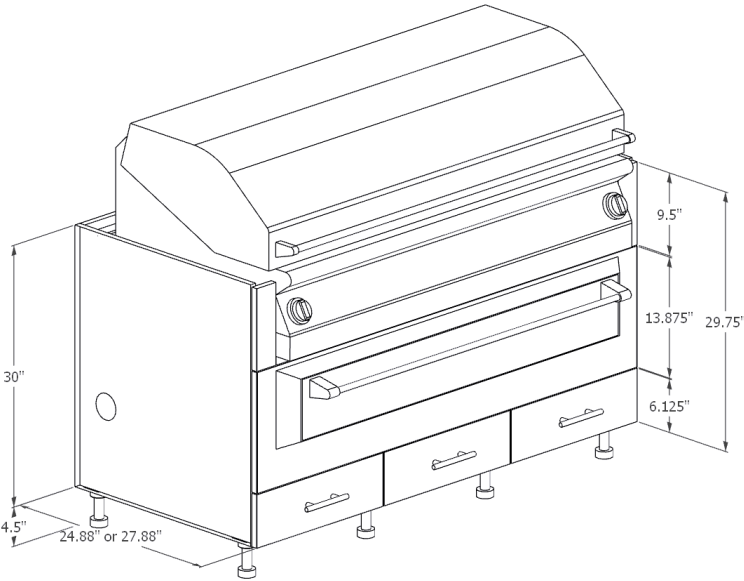
| Product Description  |               |
|--|---------------|
| OGWxx10: Outdoor Grill Base for Warming Drawer Insert, 1 Drawer. 9.75"H grill shelf (9.5"H trim kit sides) |               |
| 27" Depth SKU  | 24" Depth SKU |
| OGW3310  | N/A           |
| OGW3610  | N/A           |

# Grill/Warming Drawer Cabinets - OGWxx20, OGWxx30

[\\*Return to Table of Contents](#)



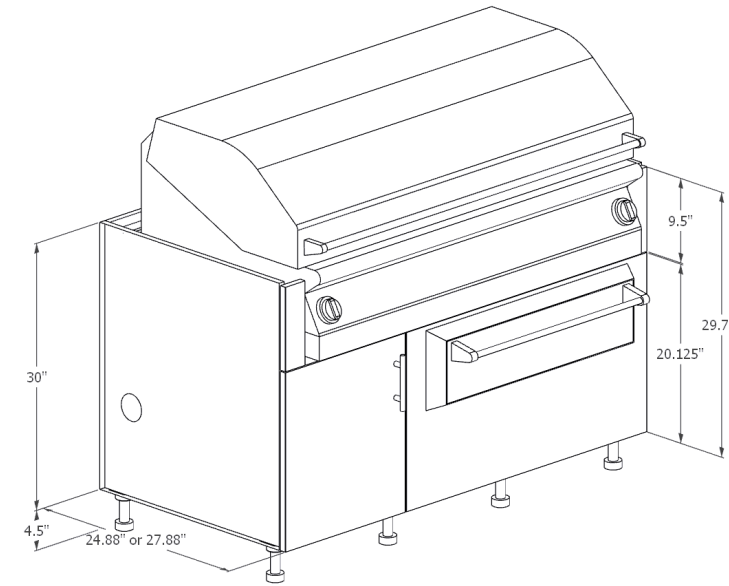
| Product Description  |               |
|--|---------------|
| OGWxx20: Outdoor Grill Base for Warming Drawer Insert, 2 Drawers.<br>9.75"H grill shelf (9.5"H trim kit sides) |               |
| 27" Depth SKU  | 24" Depth SKU |
| OGW4220  | OGW4220-24    |
| OGW4520  | OGW4520-24    |
| OGW4820  | OGW4820-24    |
| OGW5420  | OGW5420-24    |



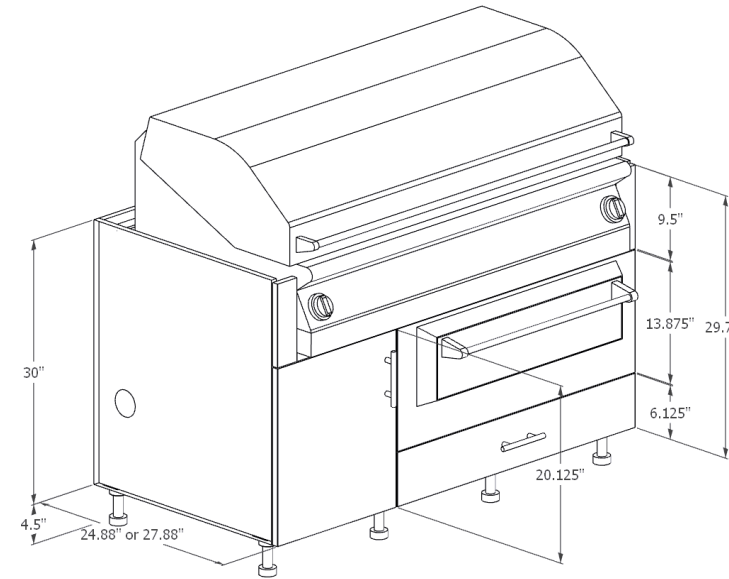
| Product Description  |               |
|--|---------------|
| OGWxx30: Outdoor Grill Base for Warming Drawer Insert, 3 Drawers.<br>9.75"H grill shelf (9.5"H trim kit sides) |               |
| 27" Depth SKU  | 24" Depth SKU |
| OGW5430  | N/A           |
| OGW5830  | N/A           |
| OGW6230  | N/A           |

# Grill/Warming Drawer Cabinets - OGWxx01, xx11, xx21

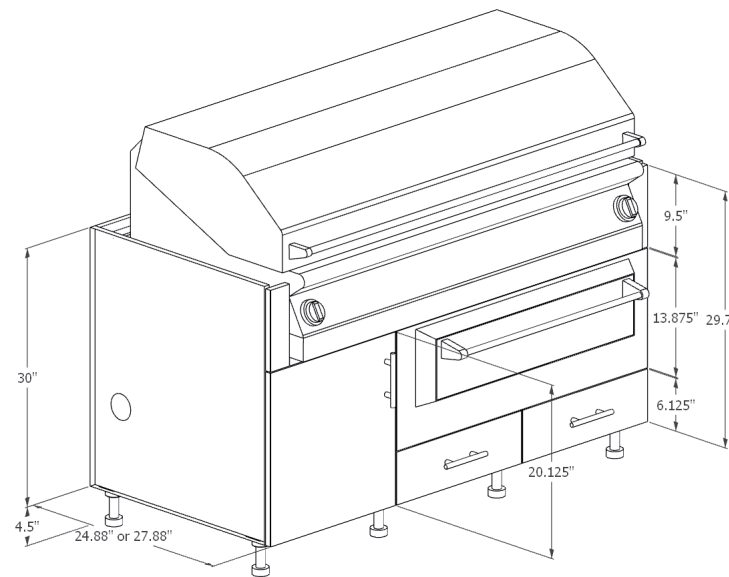
[\\*Return to Table of Contents](#)



| Product Description  |               |
|--|---------------|
| OGWxx01: Outdoor Grill Base for Warming Drawer Insert, 1 Door..<br>9.75"H grill shelf (9.5"H trim kit sides) |               |
| 27" Depth SKU  | 24" Depth SKU |
| OGW5401  | N/A           |
| OGW5801  | N/A           |
| OGW6201  | N/A           |



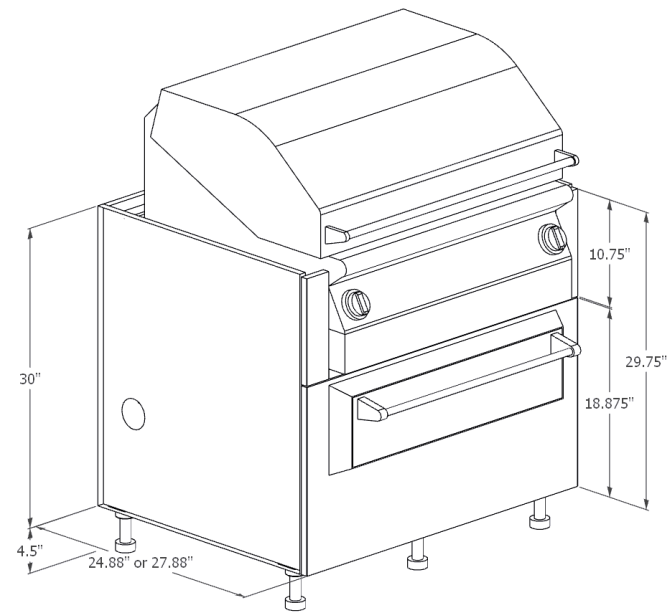
| Product Description   |               |
|---|---------------|
| OGWxx11: Outdoor Grill Base for Warming Drawer Insert, 1 Door, 1 Drawer.<br>9.75"H grill shelf (9.5"H trim kit sides) |               |
| 27" Depth SKU   | 24" Depth SKU |
| OGW5411   | N/A           |



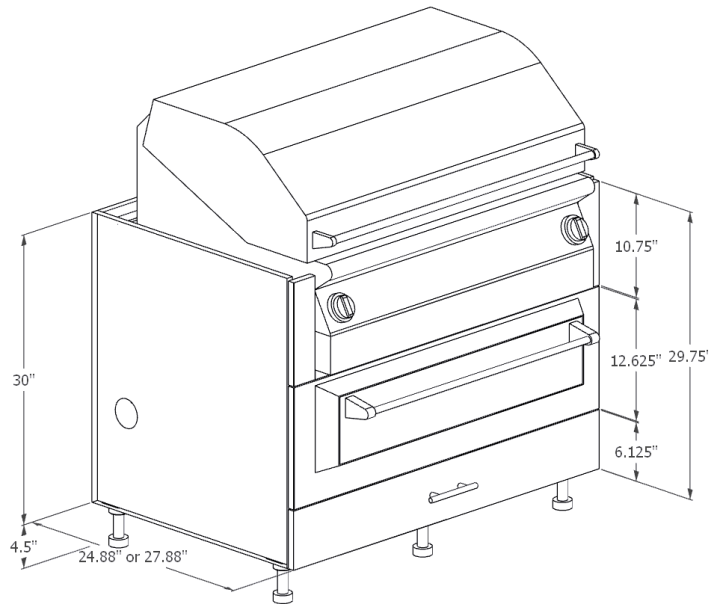
| Product Description  |               |
|--|---------------|
| OGWxx21: Outdoor Grill Base, for Warming Drawer Insert, 1 Door, 2 Dawers.<br>9.75"H grill shelf (9.5"H trim kit sides) |               |
| 27" Depth SKU  | 24" Depth SKU |
| OGW5421  | N/A           |
| OGW5821  | N/A           |
| OGW6221  | N/A           |

# Grill/Warming Drawer Cabinets - OGWxx00H11, xx10H11

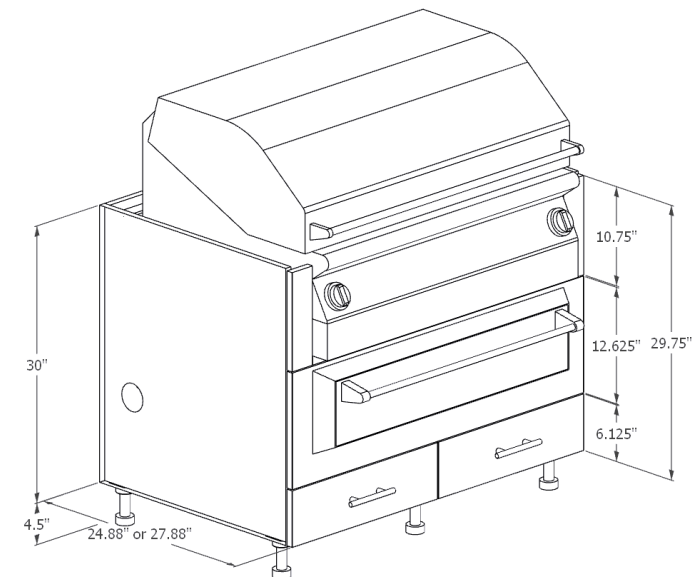
[\\*Return to Table of Contents](#)



| Product Description   |               |
|---|---------------|
| OGWxx00D: Outdoor Grill Base, Deep, for Warming Drawer Insert, No Doors or Drawers. 11"H grill shelf (10.75"H trim kit sides) |               |
| 27" Depth SKU   | 24" Depth SKU |
| OGW3600H11  | N/A           |
| OGW4200H11  | N/A           |
| OGW4800H11  | N/A           |



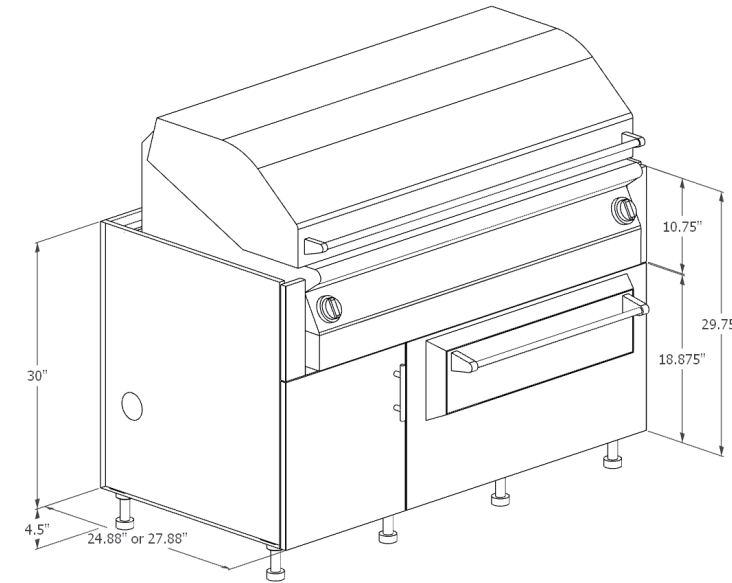
| Product Description  |               |
|--|---------------|
| OGWxx10H11: Outdoor Grill Base, Deep, for Warming Drawer Insert, 1 Drawer. 11"H grill shelf (10.75"H trim kit sides) |               |
| 27" Depth SKU  | 24" Depth SKU |
| OGW3310H11   | N/A           |
| OGW3610H11   | N/A           |



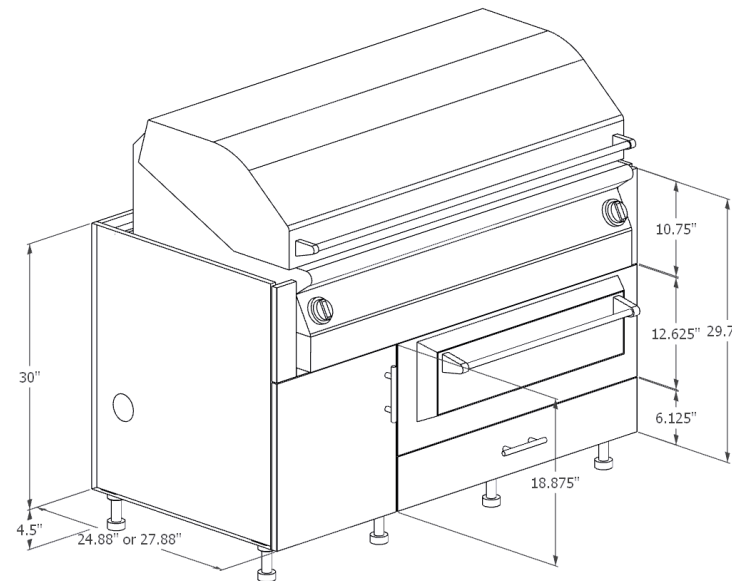
| Product Description   |               |
|---|---------------|
| OGWxx20H11: Outdoor Grill Base, Deep, for Warming Drawer Insert, 2 Drawers. 11"H grill shelf (10.75"H trim kit sides) |               |
| 27" Depth SKU   | 24" Depth SKU |
| OGW4220H11  | N/A           |
| OGW4820H11  | N/A           |
| OGW5420H11  | N/A           |

# Grill/Warming Drwr Cabinets - OGWxx01H11, xx11H11, xx21H11

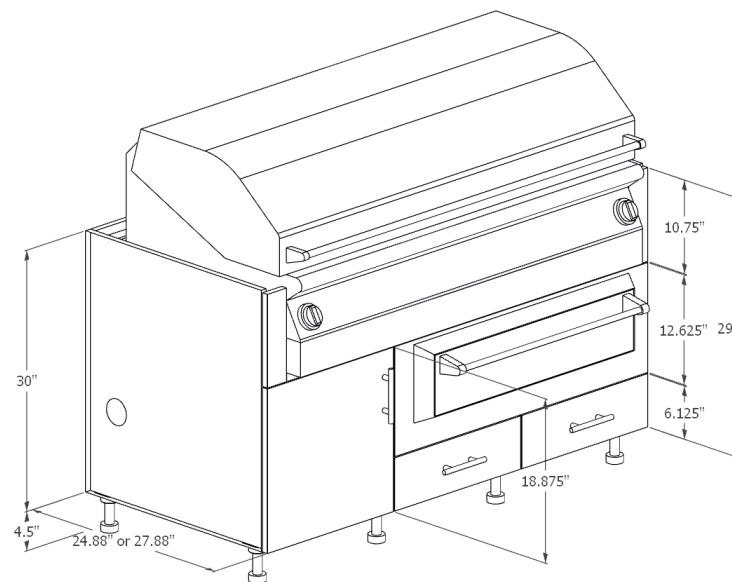
[\\*Return to Table of Contents](#)



| Product Description  |               |
|--|---------------|
| OGWxx01H11: Outdoor Grill Base, Deep, for Warming Drawer Insert, 1 Door. 11"H grill shelf (10.75"H trim kit sides) |               |
| 27" Depth SKU  | 24" Depth SKU |
| OGW5401H11   | N/A           |
| OGW5801H11   | N/A           |
| OGW6201H11   | N/A           |



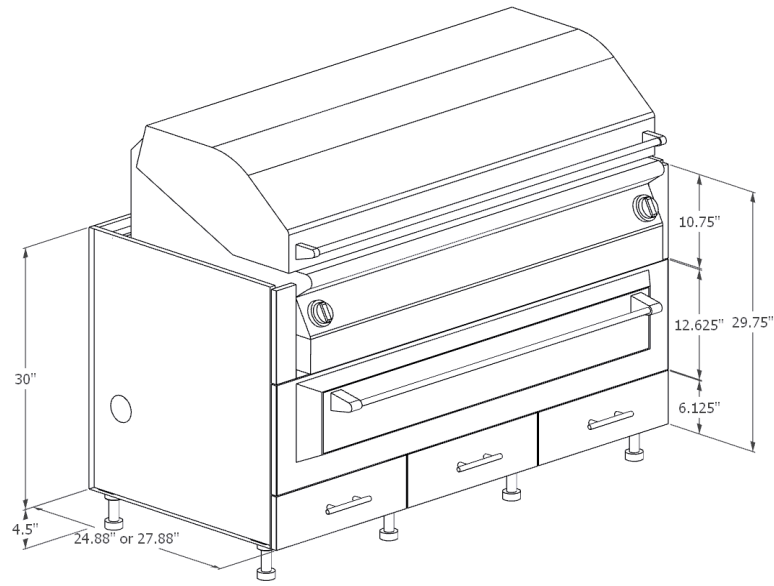
| Product Description  |               |
|--|---------------|
| OGWxx11H11: Outdoor Grill Base, Deep, for Warming Drawer Insert, 1 Door, 1 Drawer. 11"H grill shelf (10.75"H trim kit sides) |               |
| 27" Depth SKU  | 24" Depth SKU |
| OGW5411H11   | N/A           |



| Product Description   |               |
|---|---------------|
| OGWxx21H11: Outdoor Grill Base, Deep, for Warming Drawer Insert, 1 Door, 2 Drawers. 11"H grill shelf (10.75"H trim kit sides) |               |
| 27" Depth SKU   | 24" Depth SKU |
| OGW5421H11  | N/A           |
| OGW5821H11  | N/A           |
| OGW6221H11  | N/A           |

# Grill/Warming Drawer Cabinets - OGWxx30H11

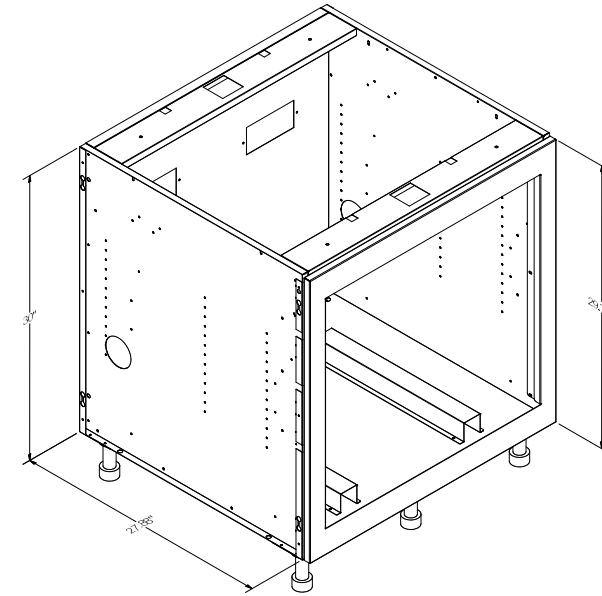
[\\*Return to Table of Contents](#)



| Product Description   |               |
|---|---------------|
| OGWxx30H11: Outdoor Grill Base, Deep, for Warming Drawer Insert, 3 Drawers. 11"H grill shelf (10.75"H trim kit sides) |               |
| 27" Depth SKU   | 24" Depth SKU |
| OGW5430H11  | N/A           |
| OGW5830H11  | N/A           |
| OGW6230H11  | N/A           |

# Oven Base Cabinets - OOCxx00

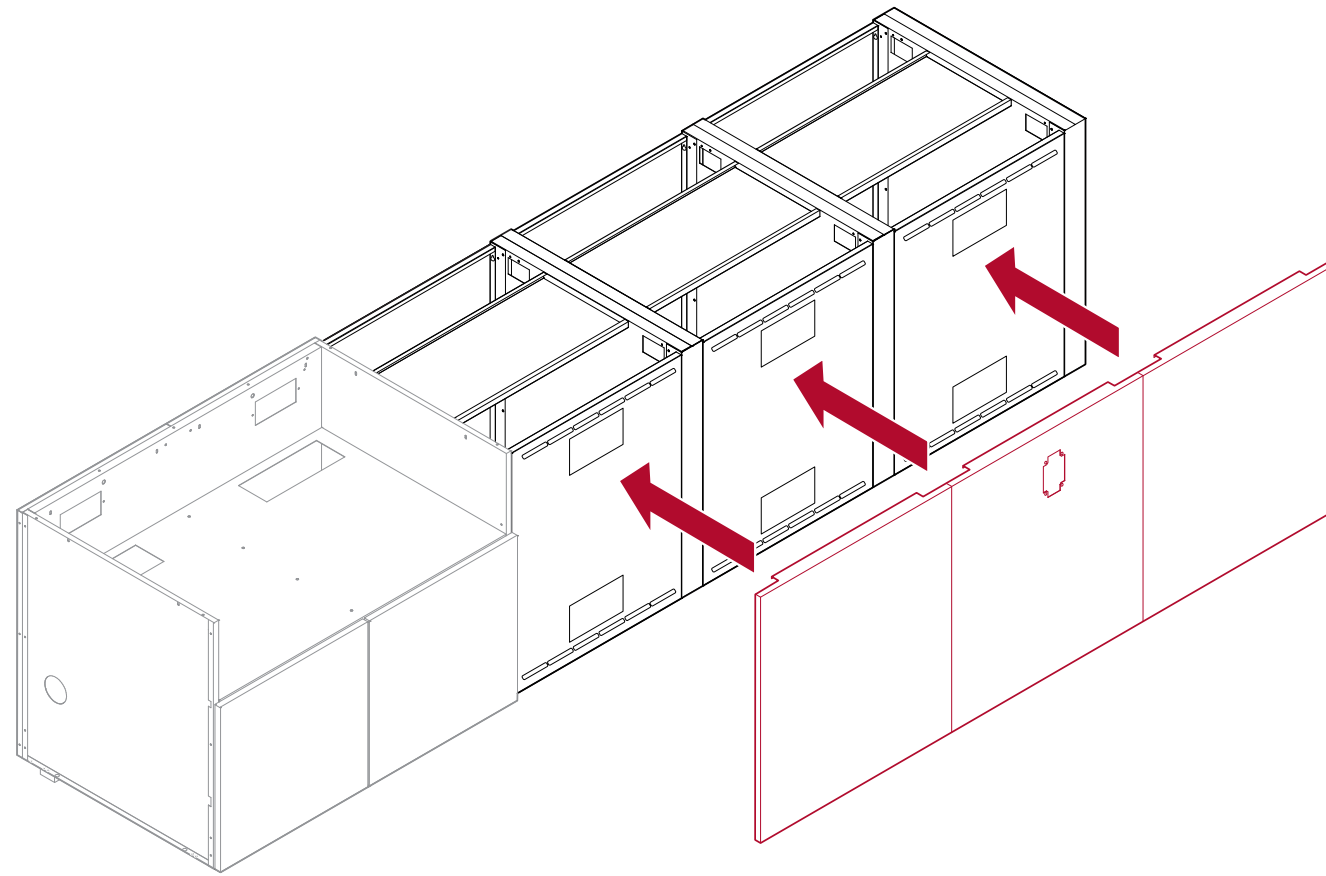
[\\*Return to Table of Contents](#)



| Product Description   |               |
|---|---------------|
| OOCxx00: 30"W x 27"D Base Oven Cabinet, full height oven front. Must specify built-in oven. |               |
| 27" Depth SKU   | 24" Depth SKU |
| OOC3000   | OOC3000-24    |
| OOC3600   | OOC3600-24    |

# Post and Panel System

[\\*Return to Table of Contents](#)



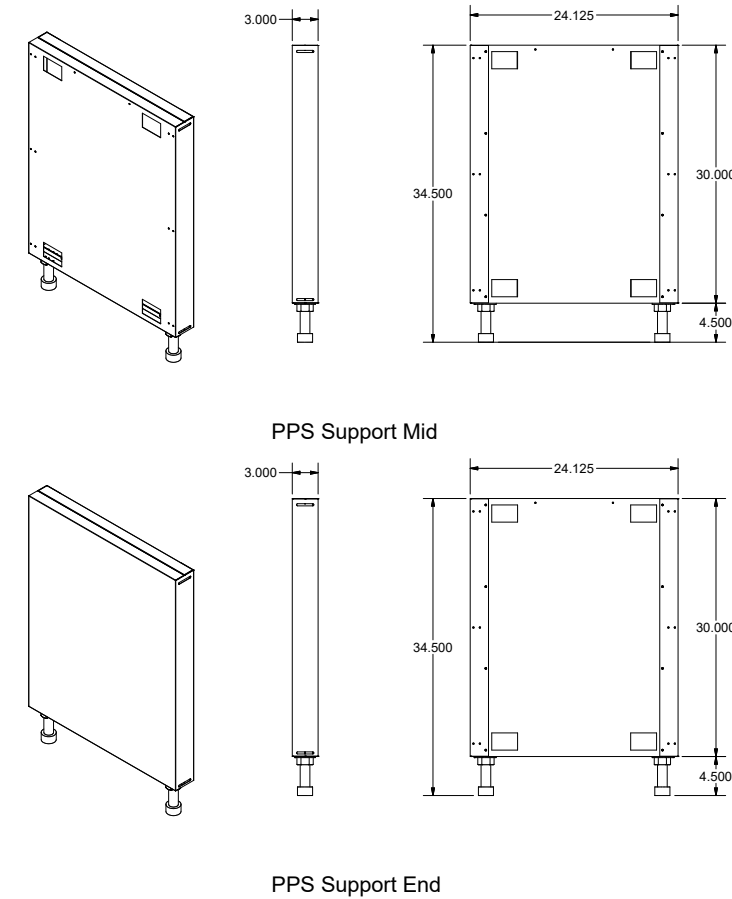
## Product Description

PPS – Post and Panel System: Using a combination of supports, spacers, and panels you can create countertop space without the additional cost of doors or drawers. These parts assemble to be stand-alone units or connect with base cabinets. Ideal for multi-family spaces, the supports can also be brought down to ADA compliant height with our available ADA legs.

36”H versions of all PPS parts are available as well, with an extra option of 18”D. 36”H PPS parts are designated with a -TALL at the end of the SKU.

# Post and Panel System - Mid & End Support

[\\*Return to Table of Contents](#)

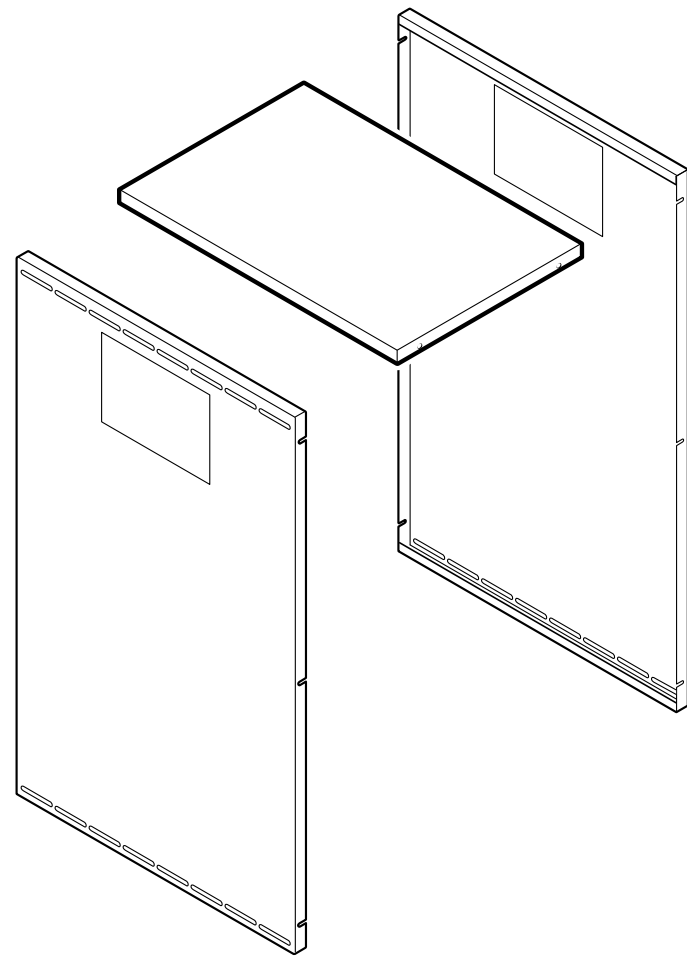


Note: If PPS PANELS are powder coated, the PPS SUPPORT MID and END parts will be powder coated as well.

| 18" Depth SKU           | Description  |
|-------------------------|--|
| PPS SUPPORT MID 18      | 3"W x 18"D x 30"H<br>Middle supports<br>(unfinished, hidden from view) |
| PPS SUPPORT MID 18-TALL | 3"W x 18"D x 36"H<br>Middle supports<br>(unfinished, hidden from view) |
| PPS SUPPORT END 18-TALL | 3"W x 18"D x 36"H<br>End supports (one finished side for ending a run) |
| 24" Depth SKU           | Description  |
| PPS SUPPORT MID 24      | 3"W x 24"D x 30"H<br>Middle supports<br>(unfinished, hidden from view) |
| PPS SUPPORT END 24      | 3"W x 24"D x 30"H<br>End supports (one finished side for ending a run) |
| PPS SUPPORT MID 24-TALL | 3"W x 24"D x 36"H<br>Middle supports<br>(unfinished, hidden from view) |
| PPS SUPPORT END 24-TALL | 3"W x 24"D x 36"H<br>End supports (one finished side for ending a run) |
| 27" Depth SKU           | Description  |
| PPS SUPPORT MID 27      | 3"W x 27"D x 30"H<br>Middle supports<br>(unfinished, hidden from view) |
| PPS SUPPORT END 27      | 3"W x 27"D x 30"H<br>End supports (one finished side for ending a run) |
| PPS SUPPORT MID 27-TALL | 3"W x 27"D x 36"H<br>Middle supports<br>(unfinished, hidden from view) |
| PPS SUPPORT END 27-TALL | 3"W x 27"D x 36"H<br>End supports (one finished side for ending a run) |

# Post and Panel System - PPS SPACERS & PANELS

[\\*Return to Table of Contents](#)



| Product Description  |                         |
|--|-------------------------|
| Spacers consist of 3 panels that connect supports to each other, support to cabinet, or cabinets together. |                         |
| *NOTE: If PPS PANELS are powder coated, the PPS SPACER parts will be powder coated as well.                |                         |
| Width  | Spacer SKU              |
| 6"W  | PPS SPACER 6            |
|  | PPS SPACER 6-TALL       |
| 9"W  | PPS SPACER 9            |
|  | PPS SPACER 9-TALL       |
| 12"W   | PPS SPACER 12           |
|  | PPS SPACER 12-TALL      |
| 15"W   | PPS SPACER 15           |
|  | PPS SPACER 15-TALL      |
| 18"W   | PPS SPACER 18           |
|  | PPS SPACER 18-TALL      |
| 21"W   | PPS SPACER 21           |
|  | PPS SPACER 21-TALL      |
| 24"W   | PPS SPACER 24           |
|  | PPS SPACER 24-TALL      |
| 27"W   | PPS SPACER 27           |
|  | PPS SPACER 27-TALL      |
| 30"W   | PPS SPACER 30           |
|  | PPS SPACER 30-TALL      |
| 33"W   | PPS SPACER 33           |
|  | PPS SPACER 33-TALL      |
| 36"W   | PPS SPACER 36           |
|  | PPS SPACER 36-TALL      |
| 39"W   | PPS SPACER 39           |
| XX"W   | PPS SPACER XX (specify) |
|  | PPS SPACER 39-TALL      |
| 42"W   | PPS SPACER 42           |
|  | PPS SPACER 42-TALL      |

# Post and Panel System - PPS PANELS

[\\*Return to Table of Contents](#)



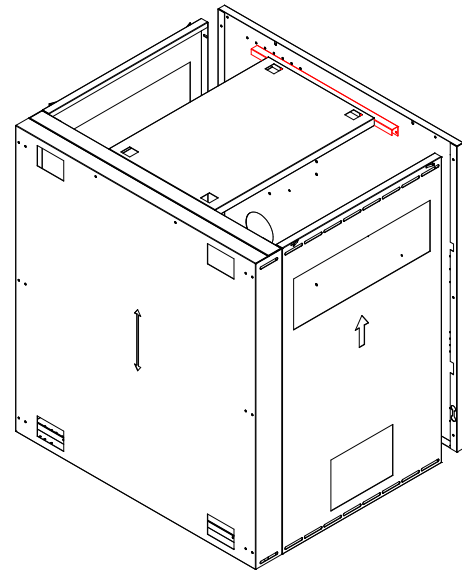
(PPS PANELS Cont.)

| Product Description   |                   |                        |
|---|-------------------|------------------------|
| Finished panels hang over the spacers and supports for an even look, so specify panels based on total width of span. The finished panels are 3/4" thick and sit flush with door/drawer fronts on cabinets as well as back panels if used. |                   |                        |
| Width   | Panel SKU         | Tall Panel SKU         |
| 9"W   | PPS PANEL 9       | PPS PANEL 9-TALL       |
|   | PPS PANEL 9 ELEC  | PPS PANEL 9-TALL ELEC  |
|   | PPS PANEL 9 KW    | PPS PANEL 9 KW-TALL    |
| 12"W  | PPS PANEL 12      | PPS PANEL 12 TALL      |
|   | PPS PANEL 12 ELEC | PPS PANEL 12-TALL ELEC |
|   | PPS PANEL 12 KW   | PPS PANEL 12 KW-TALL   |
| 15"W  | PPS PANEL 15      | PPS PANEL 15-TALL      |
|   | PPS PANEL 15 ELEC | PPS PANEL 15-TALL ELEC |
|   | PPS PANEL 15 KW   | PPS PANEL 15 KW-TALL   |
| 18"W  | PPS PANEL 18      | PPS PANEL 18-TALL      |
|   | PPS PANEL 18 ELEC | PPS PANEL 18-TALL ELEC |
|   | PPS PANEL 18 KW   | PPS PANEL 18 KW-TALL   |
| 21"W  | PPS PANEL 21      | PPS PANEL 21-TALL      |
|   | PPS PANEL 21 ELEC | PPS PANEL 21-TALL ELEC |
|   | PPS PANEL 21 KW   | PPS PANEL 21 KW-TALL   |
| 24"W  | PPS PANEL 24      | PPS PANEL 24-TALL      |
|   | PPS PANEL 24 ELEC | PPS PANEL 24-TALL ELEC |
|   | PPS PANEL 24 KW   | PPS PANEL 24 KW-TALL   |
| 27"W  | PPS PANEL 27      | PPS PANEL 27-TALL      |
|   | PPS PANEL 27 ELEC | PPS PANEL 27-TALL ELEC |
|   | PPS PANEL 27 KW   | PPS PANEL 27 KW-TALL   |
| 30"W  | PPS PANEL 30      | PPS PANEL 30-TALL      |
|   | PPS PANEL 30 ELEC | PPS PANEL 30-TALL ELEC |
|   | PPS PANEL 30 KW   | PPS PANEL 30 KW-TALL   |
| 33"W  | PPS PANEL 33      | PPS PANEL 33-TALL      |
|   | PPS PANEL 33 ELEC | PPS PANEL 33-TALL ELEC |
|   | PPS PANEL 33 KW   | PPS PANEL 30 KW-TALL   |
| 36"W  | PPS PANEL 36      | PPS PANEL 36-TALL      |
|   | PPS PANEL 36 ELEC | PPS PANEL 36-TALL ELEC |
|   | PPS PANEL 36 KW   | PPS PANEL 36 KW-TALL   |

| Width | Panel SKU              | Tall Panel SKU         |
|-------|------------------------|------------------------|
| 39"W  | PPS PANEL 39           | PPS PANEL 39-TALL      |
|       | PPS PANEL 39 ELEC      | PPS PANEL 39-TALL ELEC |
|       | PPS PANEL 39 KW        | PPS PANEL 39 KW-TALL   |
| 42"W  | PPS PANEL 42           | PPS PANEL 42-TALL      |
|       | PPS PANEL 42 ELEC      | PPS PANEL 42-TALL ELEC |
|       | PPS PANEL 42 KW        | PPS PANEL 42 KW-TALL   |
| 45"W  | PPS PANEL 45           | PPS PANEL 45-TALL      |
|       | PPS PANEL 45 ELEC      | PPS PANEL 45-TALL ELEC |
|       | PPS PANEL 45 KW        | PPS PANEL 45 KW-TALL   |
| 48"W  | PPS PANEL 48           | PPS PANEL 48-TALL      |
|       | PPS PANEL 48 ELEC      | PPS PANEL 48-TALL ELEC |
|       | PPS PANEL 48 KW        | PPS PANEL 48 KW-TALL   |
| XX"W  | PPS PANEL XX (specify) |                        |

## Post and Panel System - PPS CABINET CONNECTOR

[\\*Return to Table of Contents](#)



### Product Description

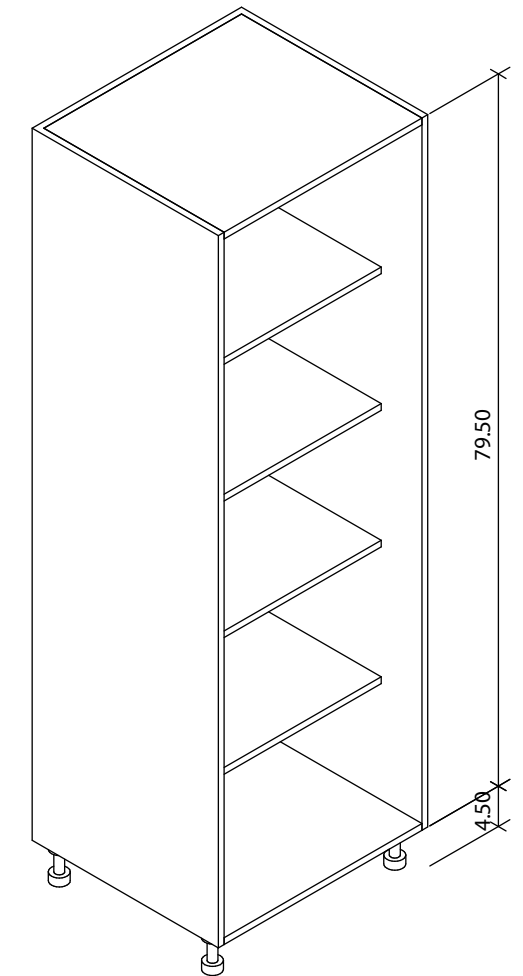
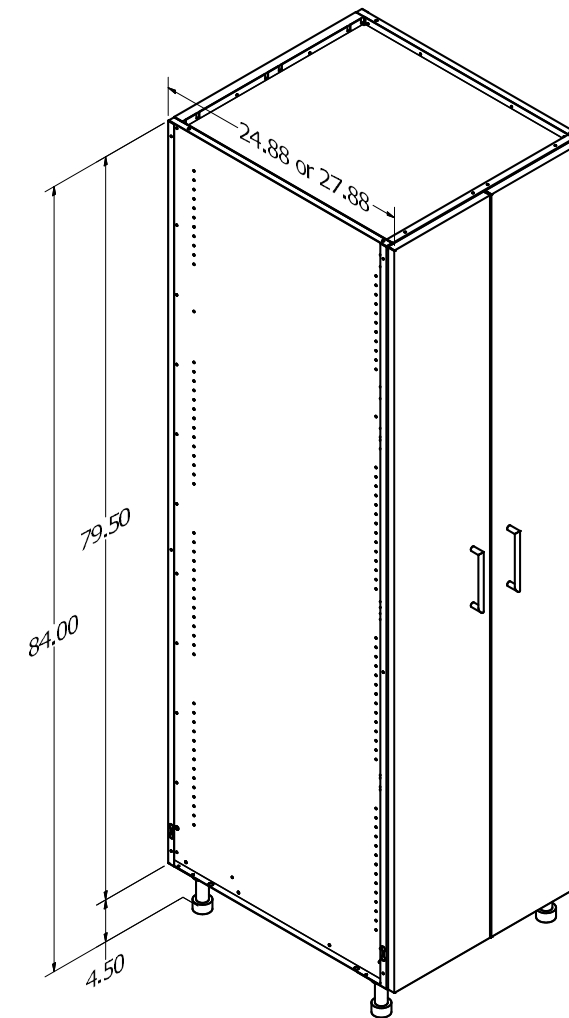
PPS CABINET CONNECTOR: Required when a PPS Spacer is attaching to a cabinet. One connector needed PER side when installed between two base cabinets.

Note: This part is not needed for connecting to ADA Sink Bases. Those cabinets have pre-drilled holes in the sides for accepting PPS Spacers.

## Tall Storage Cabinets - TBxxxz

[\\*Return to Table of Contents](#)

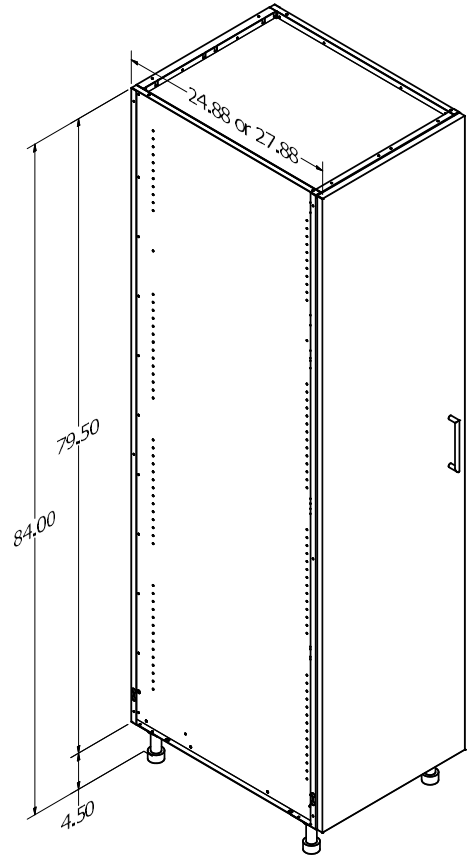
- Available in heights of 84", 90", and 96". The height includes the cabinet box and 4.5"H adjustable leg.
- 24"D and 27"D cabinet boxes only, 24.88"D and 27.88" with door fronts
- 84"H tall bases 18" or 21"W are available with a single Full-Height Door. 84"H tall bases 24"W and wider are available with 2 Full-Height Doors.
- 18"W and 21"W tall bases have 2 Doors (1 upper and 1 lower) at 90"H and 96"H, and there is an option for 2 doors at 84"H as well. 24"W and wider have 4 doors.
- Cabinets come standard with 4.50" adjustable legs.
- Black anodized toe kick may be ordered and cut on-site.
- Comes with 5 adjustable shelves (full height door) or 4 adjustable shelves (door at top).
- Flush and 3/4" thick finished side panels available.
- Tall base cabinets need to be secured to a back wall in the field.
- Note that default handle placement for lower doors is at the mid-point of the door's height.



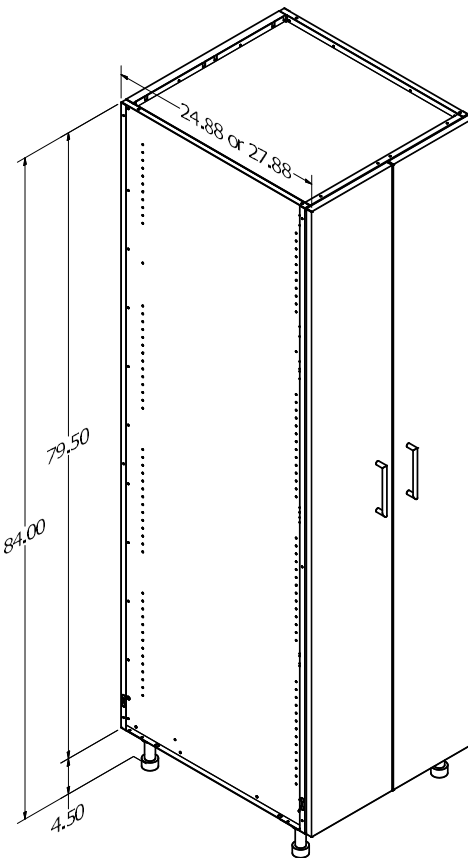
Door removed to show shelving

# Tall Storage Cabinets - Full-Height Doors: TBxx84-24-FHD

[\\*Return to Table of Contents](#)



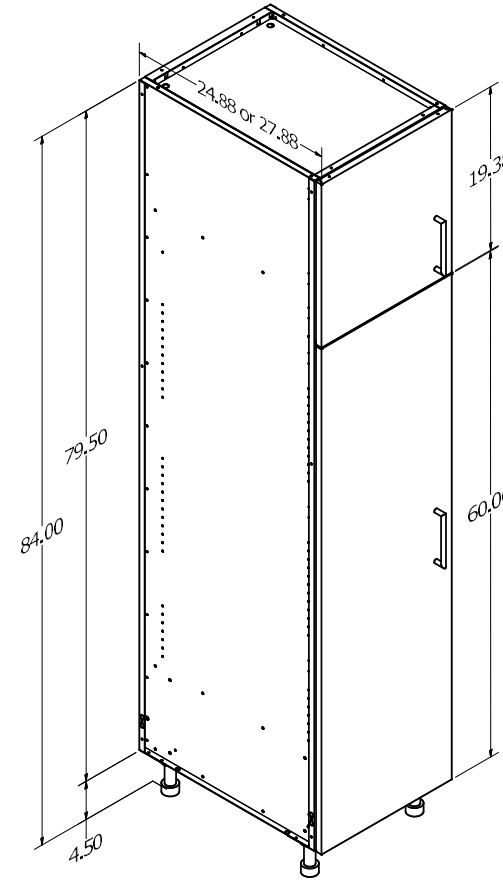
| Product Description  |               |
|--|---------------|
| TBxx84-FHD: Tall base, 24" or 27" depth, 1 Full-Height Door. Hampton slab door only. |               |
| 24" Depth SKU  | 27" Depth SKU |
| TB1884-24-FHD-LH   | TB1884-FHD-LH |
| TB1884-24-FHD-RH   | TB1884-FHD-RH |
| TB2184-24-FHD-LH   | TB2184-FHD-LH |
| TB2184-24-FHD-RH   | TB2184-FHD-RH |



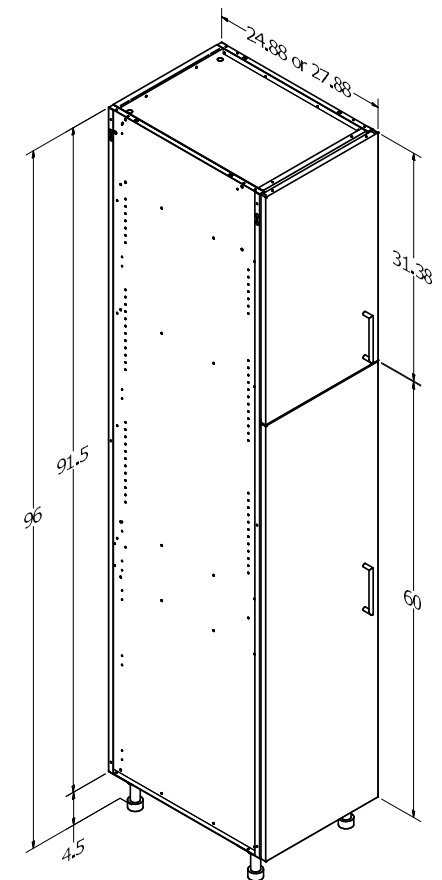
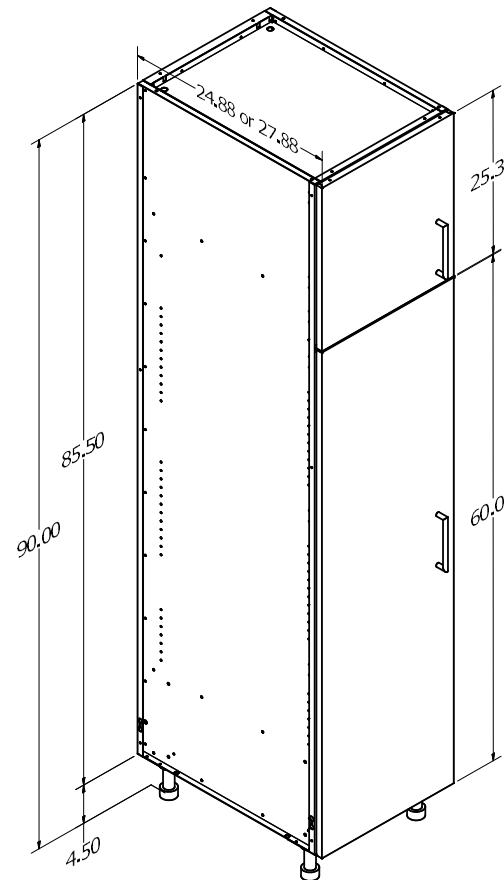
| Product Description  |               |
|--|---------------|
| TBxx84-FHD: Tall base, 24" or 27" depth, 2 Full-Height Doors. Hampton slab doors only. |               |
| 24" Depth SKU  | 27" Depth SKU |
| TB2484-24-FHD  | TB2484-FHD    |
| TB2784-24-FHD  | TB2784-FHD    |
| TB3084-24-FHD  | TB3084-FHD    |
| TB3384-24-FHD  | TB3384-FHD    |
| TB3684-24-FHD  | TB3684-FHD    |

# Tall Storage Cabinets - TBxxzz-24: 2 doors

[\\*Return to Table of Contents](#)



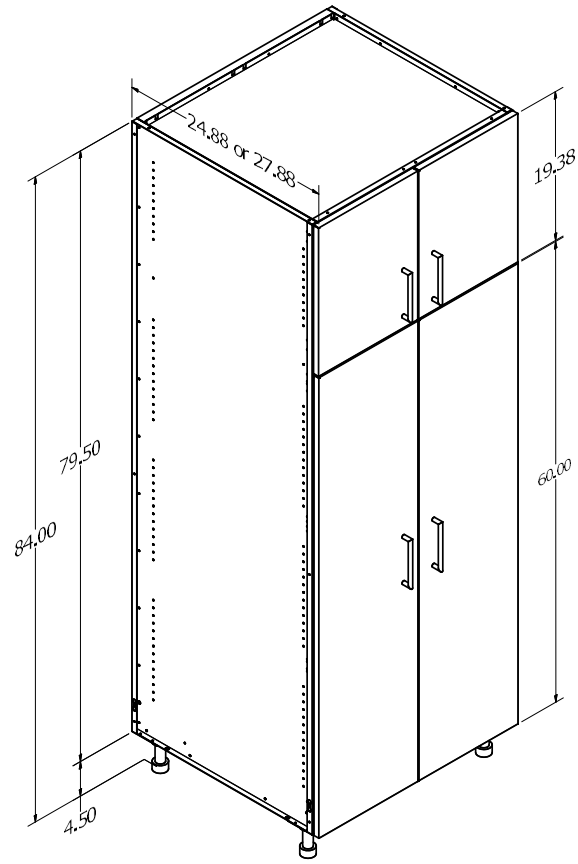
| Product Description   |              |
|---|--------------|
| TB18xx, TB21xx: Tall base, 24" depth, 2 Doors, 1 Upper Door, 1 Lower Door. Hampton slab or Key West doors only. |              |
| 24" Depth SKU   |              |
| TB1884-24-LH  | TB1884-24-RH |
| TB1890-24-LH  | TB1890-24-RH |
| TB1896-24-LH  | TB1896-24-RH |
| TB2184-24-LH  | TB2184-24-RH |
| TB2190-24-LH  | TB2190-24-RH |
| TB2196-24-LH  | TB2196-24-RH |





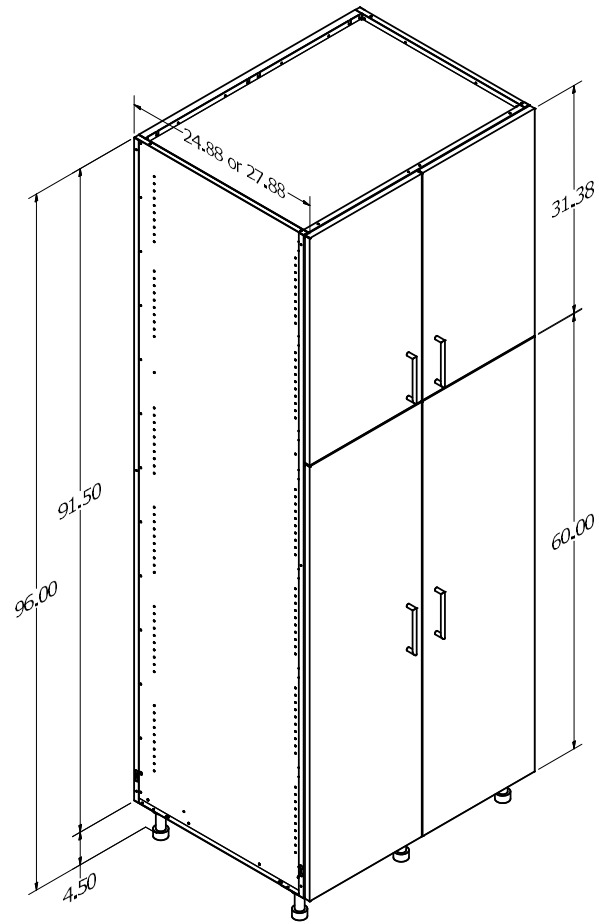
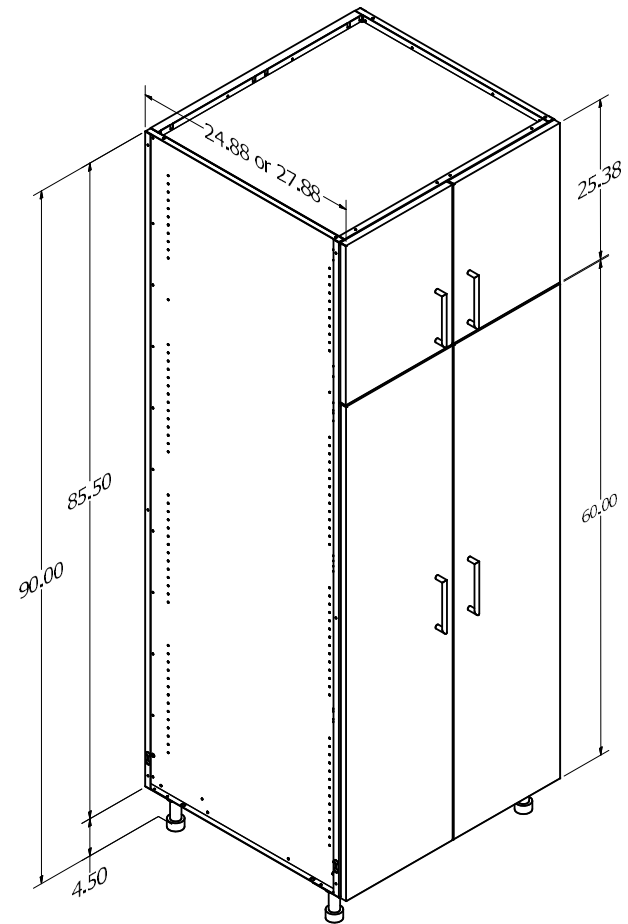
## Tall Storage Cabinets - TBxxzz-24: 4 doors

[\\*Return to Table of Contents](#)



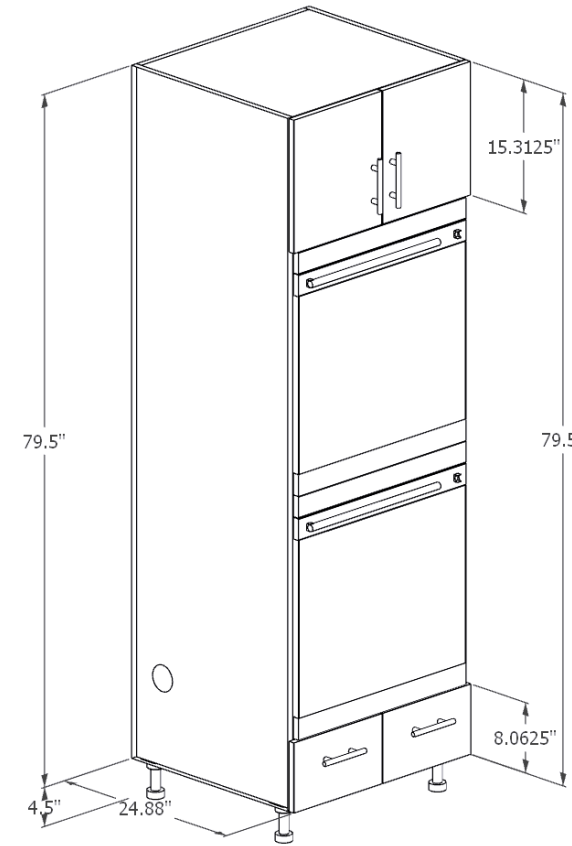
| Product Description   |           |           |
|---|-----------|-----------|
| TBxxyy: Tall base, 24" depth, 4 Doors, 2 Upper Doors, 2 Lower Doors. Hampton slab or Key West doors only. |           |           |
| 84" Tall  | 90" Tall  | 96" Tall  |
| TB2484-24   | TB2490-24 | TB2496-24 |
| TB2784-24   | TB2790-24 | TB2796-24 |
| TB3084-24   | TB3090-24 | TB3096-24 |
| TB3384-24   | TB3390-24 | TB3396-24 |
| TB3684-24   | TB3690-24 | TB3696-24 |

| Product Description   |          |          |
|---|----------|----------|
| TBxxyy: Tall base, 27" depth, 4 Doors, 2 Upper Doors, 2 Lower Doors. Hampton slab or Key West doors only. |          |          |
| 84" Tall  | 90" Tall | 96" Tall |
| TB2484  | TB2490   | TB2496   |
| TB2784  | TB2790   | TB2796   |
| TB3084  | TB3090   | TB3096   |
| TB3384  | TB3390   | TB3396   |
| TB3684  | TB3690   | TB3696   |



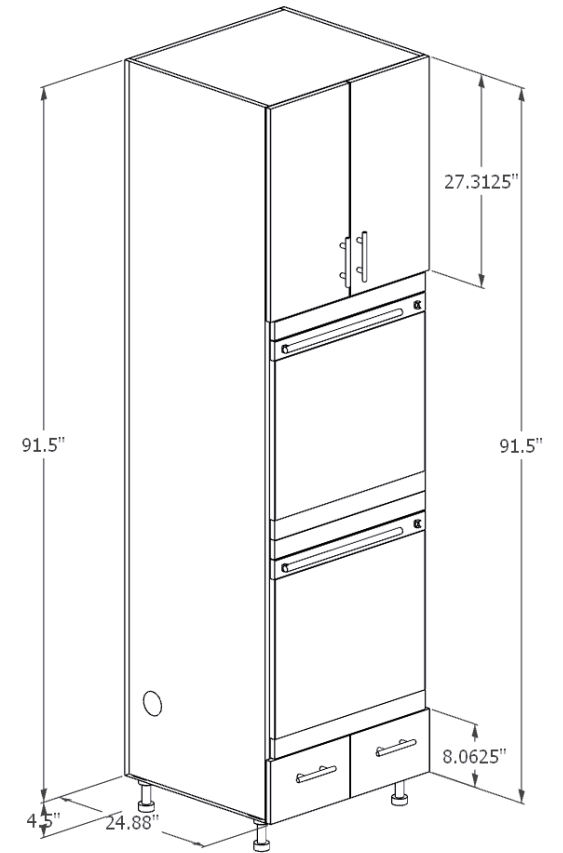
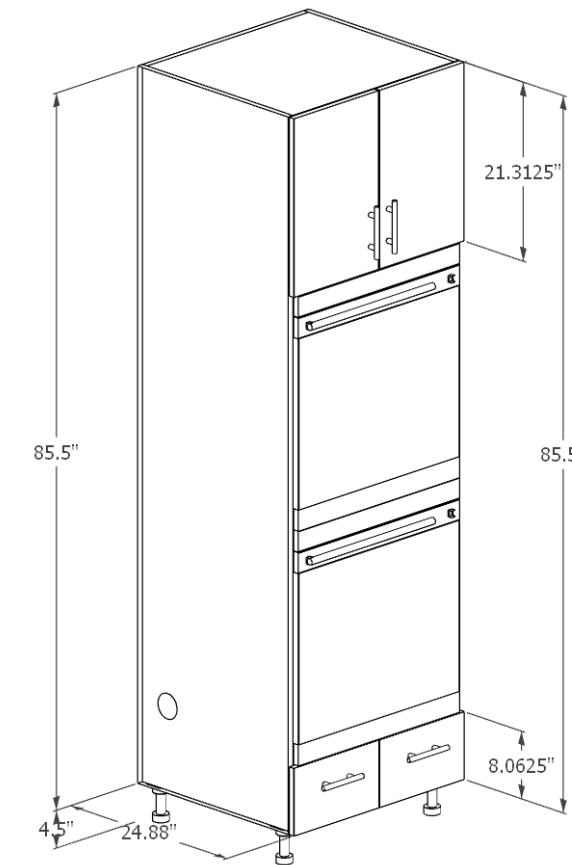
## Tall Oven Cabinets - TTxxzz-24: 2 Doors, 2 Drawers

[\\*Return to Table of Contents](#)



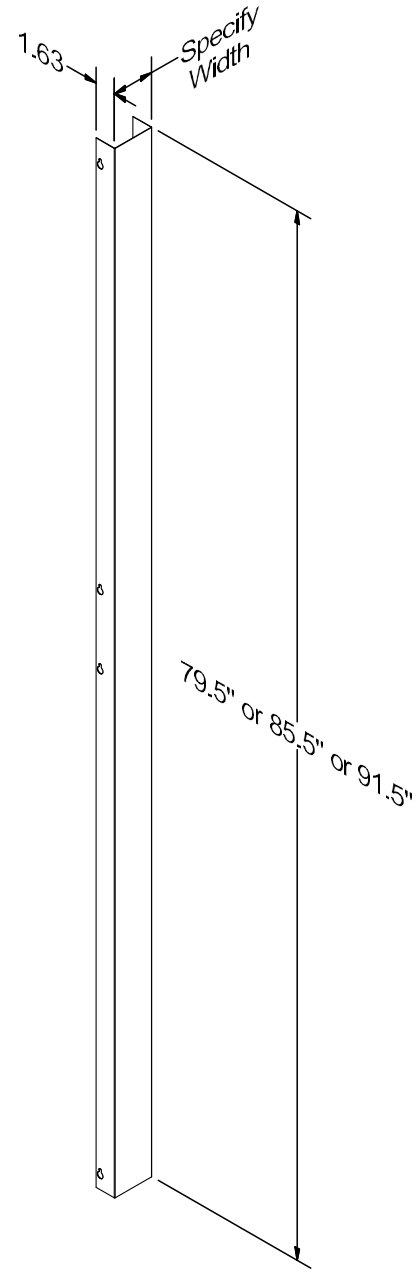
| Product Description   |           |           |
|---|-----------|-----------|
| TTxxyy: Tall Oven Cabinet, 24" depth, 2 Upper Doors, 2 Lower Drawers. Specify ovens being used. |           |           |
| 84" Tall  | 90" Tall  | 96" Tall  |
| TT2784-24   | TT2790-24 | TT2796-24 |
| TT3084-24   | TT3090-24 | TT3096-24 |
| TT3384-24   | TT3390-24 | TT3396-24 |
| TT3684-24   | TT3690-24 | TT3696-24 |

| Product Description   |          |          |
|---|----------|----------|
| TTxxyy: Tall Oven Cabinet, 27" depth, 2 Upper Doors, 2 Lower Drawers. Specify ovens being used. |          |          |
| 84" Tall  | 90" Tall | 96" Tall |
| TT3384  | TT3390   | TT3396   |
| TT3684  | TT3690   | TT3696   |



# Tall Cabinet Accessories - Fillers: TFLF

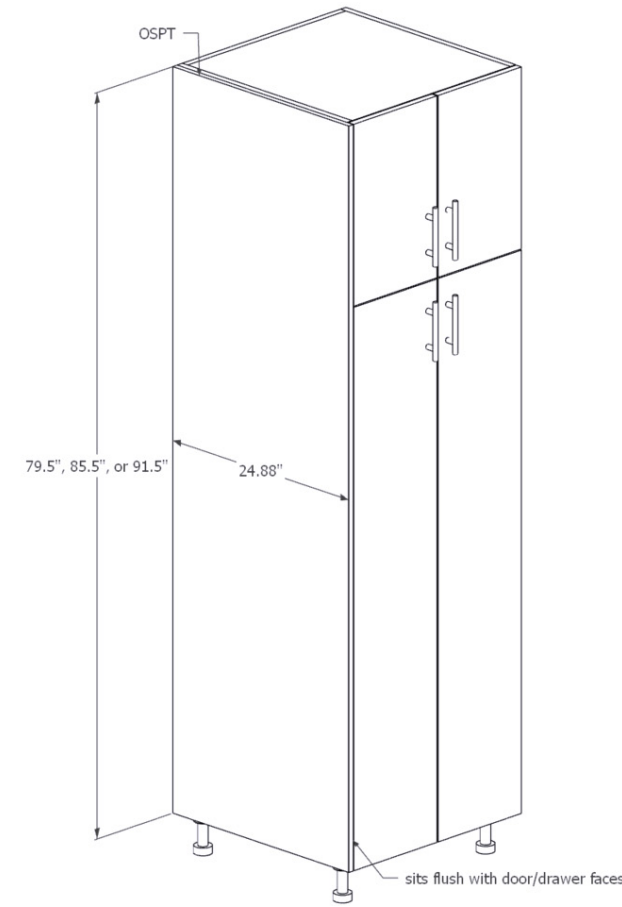
[\\*Return to Table of Contents](#)



| Product Description   |  |
|---|--|
| TFLF: Tall base cabinet front filler for use with tall storage bases and tall oven bases. Sits flush with door/drawer faces. 1"W minimum, available in 1/8" increments as needed. Specify width and tall base height. |  |
| Example SKUs:   |  |
| TFLF 2.88 84  |  |
| TFLF 4.50 96  |  |
| 27" Depth SKU   | Description  |
| TFLF03XX  | 3"W Tall Front Filler. Specify 84", 90", or 96" height.  |
| TFLF04XX  | 4"W Tall Front Filler. Specify 84", 90", or 96" height.  |
| TFLFXXXX  | Custom width Tall Front Filler. Engineering charges may apply. Contact Sales for more information. XX" Wide x XX" High |

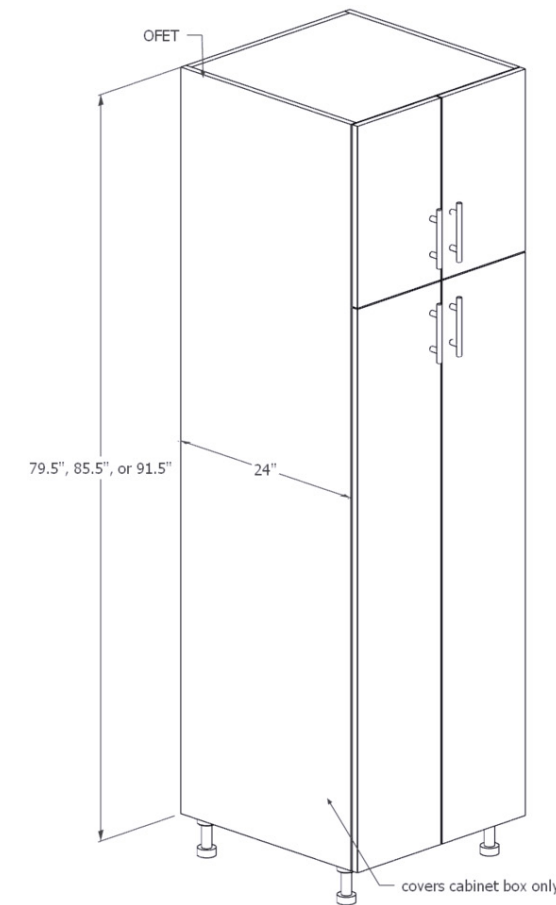
# Tall Cabinet Accessories - Side Panels: OSPT xxzzL/R

[\\*Return to Table of Contents](#)



| Product Description   |              |              |
|---|--------------|--------------|
| OSPT: 3/4" Thick tall base side panel for tall storage bases and tall oven bases, 24.88"W x XX"H, sits flush with door/drawer faces, specify tall base height and side. |              |              |
| SKU   |              |              |
| 84"H Cabinet  | 90"H Cabinet | 96"H Cabinet |
| OSPT 2484L  | OSPT 2490L   | OSPT 2496L   |
| OSPT 2484R  | OSPT 2490R   | OSPT 2496R   |

| Product Description   |              |              |
|---|--------------|--------------|
| OSPT: 3/4" Thick tall base side panel for tall storage bases and tall oven bases, 27.88"W x XX"H, sits flush with door/drawer faces, specify tall base height and side. |              |              |
| SKU   |              |              |
| 84"H Cabinet  | 90"H Cabinet | 96"H Cabinet |
| OSPT 2784L  | OSPT 2790L   | OSPT 2796L   |
| OSPT 2784R  | OSPT 2790R   | OSPT 2796R   |



| Product Description  |              |              |
|--|--------------|--------------|
| OFET: Tall base flush side panel for tall storage bases and tall oven bases, 24"W x XX"H, sits flush to cabinet side, specify tall base height and side. |              |              |
| SKU  |              |              |
| 84"H Cabinet   | 90"H Cabinet | 96"H Cabinet |
| OFET 2484L   | OFET 2490L   | OFET 2496L   |
| OFET 2484R   | OFET 2490R   | OFET 2496R   |

| Product Description  |              |              |
|--|--------------|--------------|
| OFET: Tall base flush side panel for tall storage bases and tall oven bases, 27"W x XX"H, sits flush to cabinet side, specify tall base height and side. |              |              |
| SKU  |              |              |
| 84"H Cabinet   | 90"H Cabinet | 96"H Cabinet |
| OFET 2784L   | OFET 2790L   | OFET 2796L   |
| OFET 2784R   | OFET 2790R   | OFET 2796R   |

# Cabinet Accessories: Nomenclature

[\\*Return to Table of Contents](#)

All Danver Accessories use nomenclature designed to help you find the desired part.

Cabinet Accessory nomenclature example:

OSP 27.88L: Left Side Panel 27.88" wide x 30"H, 3/4" thick (exact width of 27" cabinets).

|                |              |              |             |           |   |
|----------------|--------------|--------------|-------------|-----------|---|
| <b>O</b>       | <b>SP</b>    | <b>27.88</b> | <b>L</b>    | <b>or</b> | <b>*Part specific suffix*</b>             |
| <b>Outside</b> | <b>Style</b> | <b>Width</b> | <b>Side</b> |           | <b>Denotes vents, pullout shelf, etc.</b> |

Category

Accessory Style

Width (in inches)

Left or Right

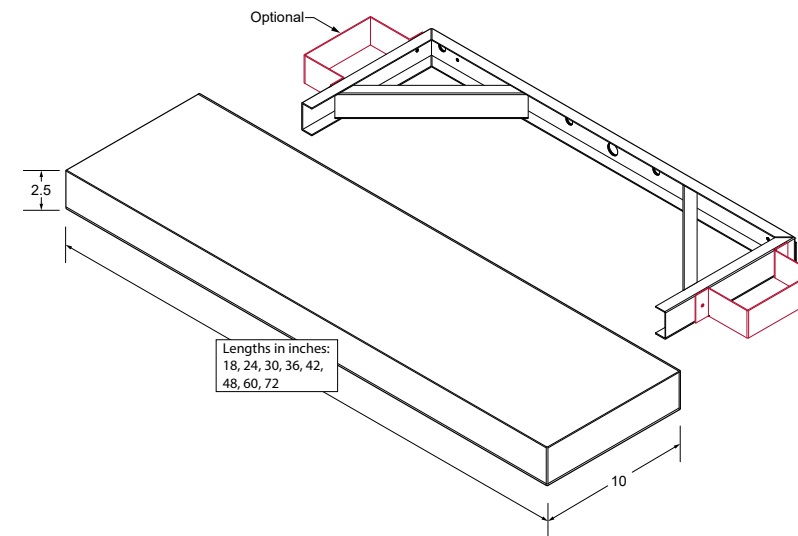
Ex: OBPV

Ex: OSHxxxP

| Part Name             | Description                    | Part Usage Summary   |
|-----------------------|--------------------------------|--|
| <b>FSxxB</b>          | Floating Shelf                 | Wall mounted shelf with floating appearance to match cabinet fronts      |
| <b>OAF90 xx</b>       | Angled Front Filler 90 degrees | Front corner filler to attach two sides of L-shaped run                  |
| <b>OAR90 xx</b>       | Angled Rear Filler 90 degrees  | Rear corner filler with post, fills void and provides countertop support |
| <b>OBPVGFxx</b>       | Back Panel Vented Galvanized   | Applied to cabinet back as attachment point for Equal Back Panels        |
| <b>OBPVxx</b>         | Back Panel Vented              | Finishes back of appliance cabinet, .75" depth                           |
| <b>OBPxx</b>          | Back Panel (Non-vented)        | Finishes back of non-appliance cabinet, .75" depth                       |
| <b>OBX</b>            | Box Column                     | Used between two undercounter appliances as countertop support           |
| <b>OBXF</b>           | Box Column Filler              | Skin that connects over front and back of OBX to increase width          |
| <b>OCPs</b>           | Countertop Pier Support        | Used to create a bar area behind cabinets                                |
| <b>OCS</b>            | Countertop Support             | Support between cabinet and refrigerator box column                      |
| <b>OFE xxL/R OCS</b>  | Flush End Left/Right for OCS   | Notched for use on cabinet with OCS countertop span applied              |
| <b>OFExxL</b>         | Flush End Left                 | Applied to cabinet next to undercounter appliance or to end run          |
| <b>OFF</b>            | Full-Height Door Filler        | 4" deep cabinet with no back wall for easy access to area behind         |
| <b>OFL</b>            | Filler Rear                    | Used between two cabinets to fill rear space, .75" minimum               |
| <b>OFLA</b>           | Front Filler Adjustable        | Filler that can be adjusted as needed, seam in middle                    |
| <b>OFLF</b>           | Filler Front                   | Used between two cabinets to fill front space, .75" minimum              |
| <b>OFLFxx END</b>     | Filler Front End               | Used to end run: one side attaches to cabinet, other to wall             |
| <b>OFTS</b>           | Fridge Top Spacer              | Fills void between countertop and top of undercounter appliance          |
| <b>OPP</b>            | Propane Pullout Shelf          | Used in opening under door appliance base to hold propane tank           |
| <b>ORP</b>            | Refrigerator Box Column        | Ends run and supports countertop next to undercounter appliance          |
| <b>ORPS</b>           | Refrigerator Panel Skin        | Connects over an ORP to increase depth                                   |
| <b>ORS</b>            | Refrigerator Spacer            | Spacer for undercounter appliance, pick size .25" larger than cutout     |
| <b>OSHxx</b>          | Half-Depth Shelf               | Additional shelf for standard bases, 15" deep                            |
| <b>OSHxxP</b>         | Pullout Shelf                  | Used under door side of appliance base for easy access storage           |
| <b>OSHxxxx</b>        | Full-Depth Shelf               | Additional shelf for standard bases, 24" or 27" deep                     |
| <b>OSP KW</b>         | Side Panel Key West Door       | Decorative panels to match any door front style (Venice, Louver, etc.)   |
| <b>OSP xxL Extend</b> | Side Panel Left Extended       | Extends past cabinet back to cover gap between wall and cabinet          |
| <b>OSPxxL</b>         | Side Panel Left                | Applied to end of run to finish cabinet side                             |
| <b>OTKx</b>           | Toe Kick                       | Black composite material to cover legs: 2", 4.38", and 6" heights        |
| <b>OTPxx</b>          | Trash Pullout                  | Used to convert standard door to trash pullout for base cabinets         |

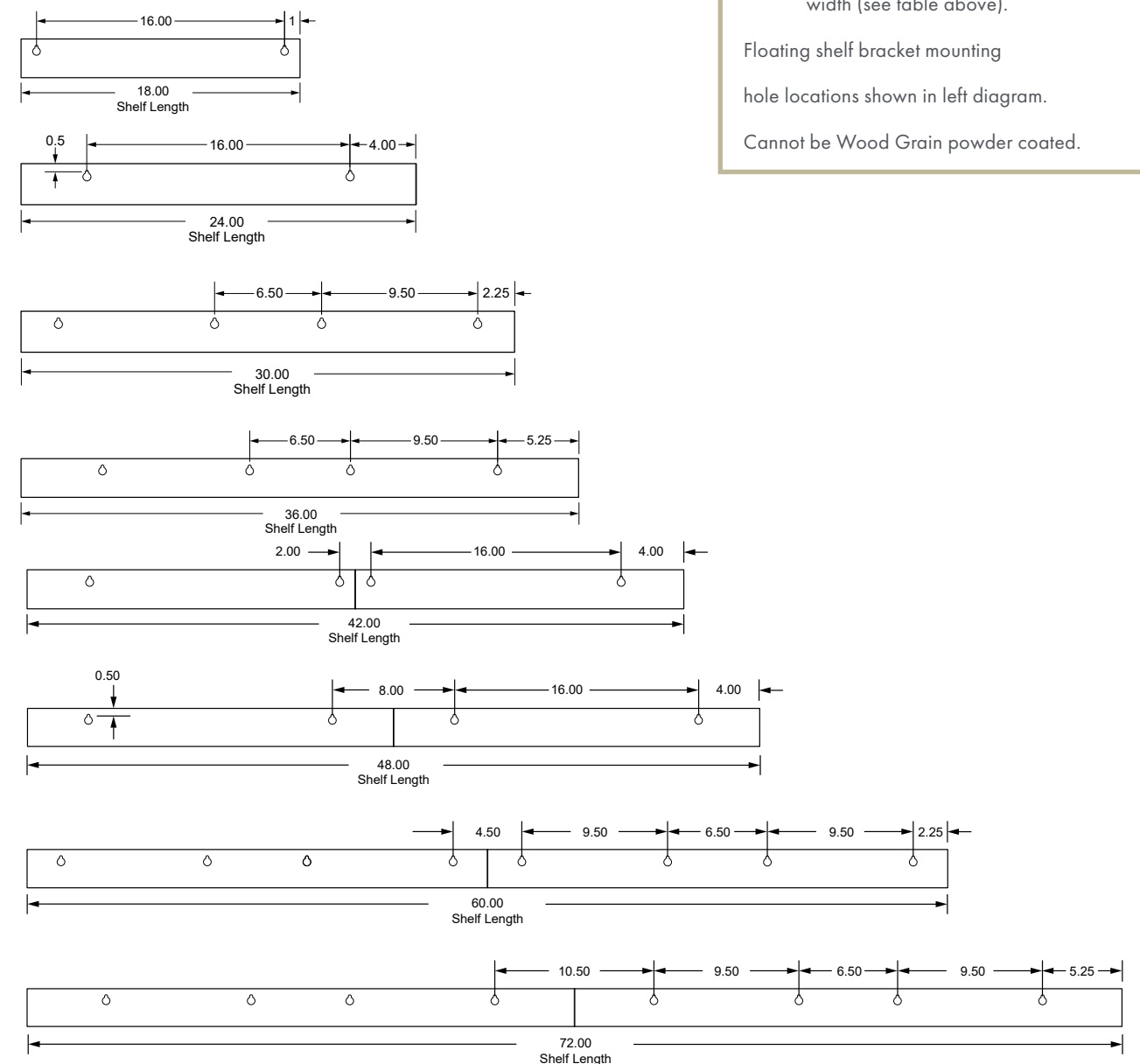
# Miscellaneous - Floating Shelves: FSxxB

[\\*Return to Table of Contents](#)



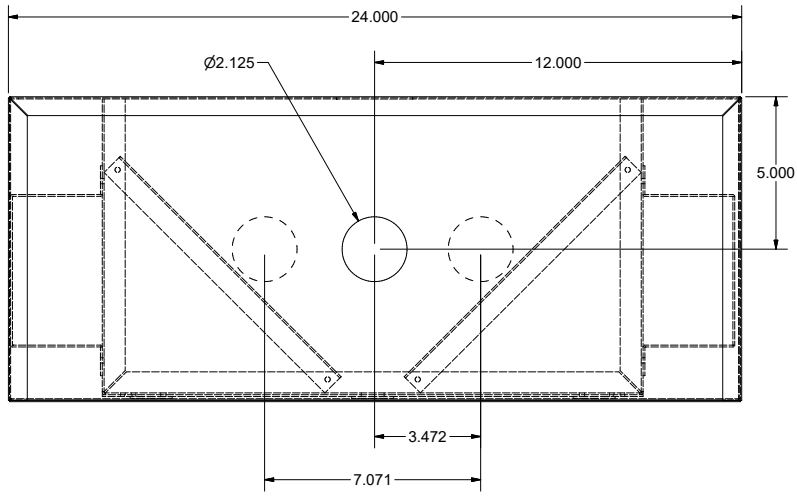
| Product Description                 |                            |
|-------------------------------------|----------------------------|
| SKU                                 | Bracket/Arm Configuration  |
| Floating Shelf: xx"W x 2.5"H x 10"D |                            |
| FS18B                               | 17.7" bracket, no arms     |
| FS24B                               | 17.7" bracket, 2 arms      |
| FS30B                               | 27.2" bracket, no arms     |
| FS36B                               | 27.2" bracket, 2 arms      |
| FS42B                               | 2x 17.7" brackets, 2 arms  |
| FS48B                               | 2x 17.7" brackets, 4 arms  |
| FS60B                               | 2x 27.2" brackets, no arms |
| FS72B                               | 2x 27.2" brackets, 4 arms  |

**Note:** 3" Floating shelf arms pictured in red are automatically installed on brackets based on width (see table above).  
Floating shelf bracket mounting hole locations shown in left diagram.  
Cannot be Wood Grain powder coated.

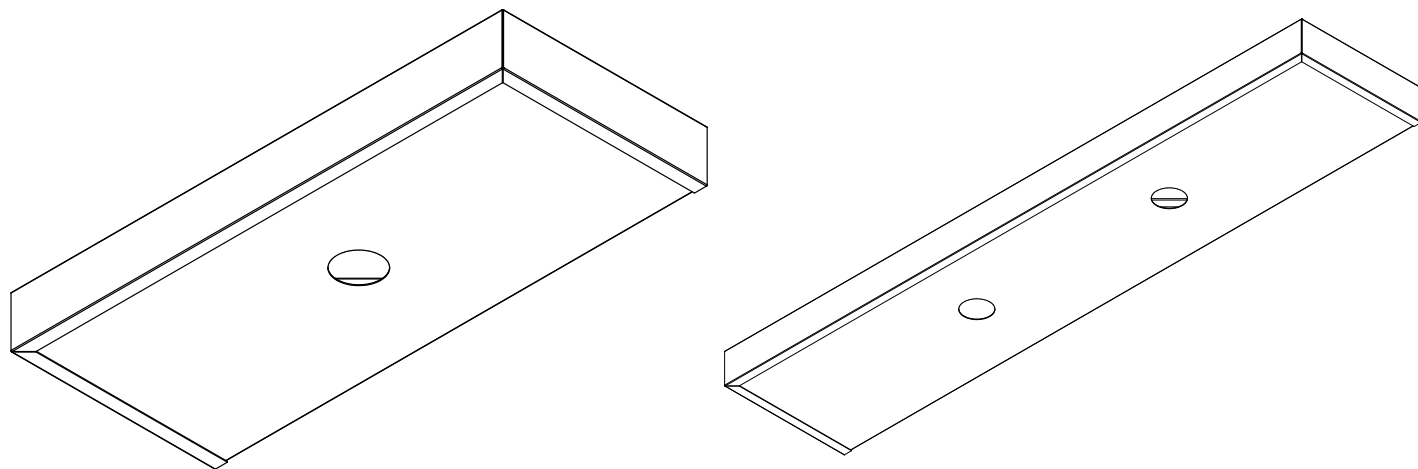
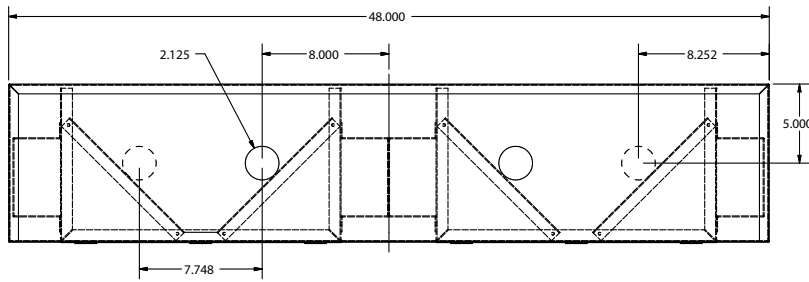


# Miscellaneous - Floating Shelves: Puck Lights

[\\*Return to Table of Contents](#)

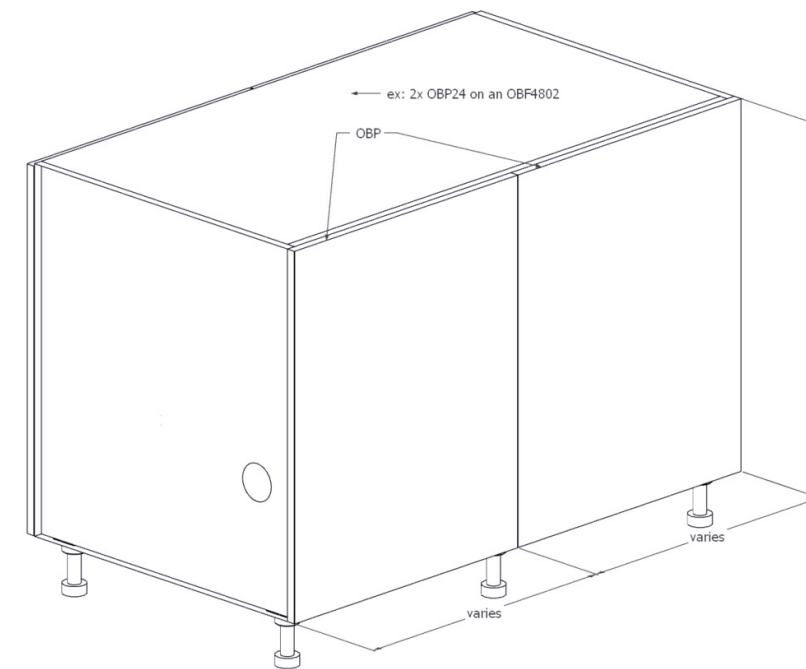
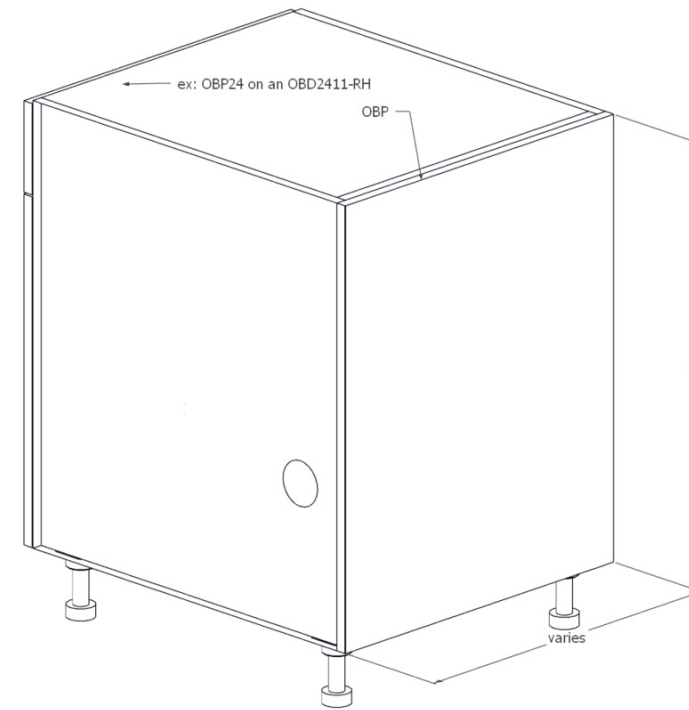


| Product Description   |
|---|
| Add Floating Shelf Puck light holes (specify number and location with drawing), lot charge per shelf.   |
| <b>Note:</b> Puck light holes cannot be placed in the same location as internal mounting bracket(s). Engineering must verify hole placement is possible based on internal brackets shown in the diagrams to the left. |
| SKU   |
| PUCK  |



# Cabinet Accessories - Back Panels: OBPxx

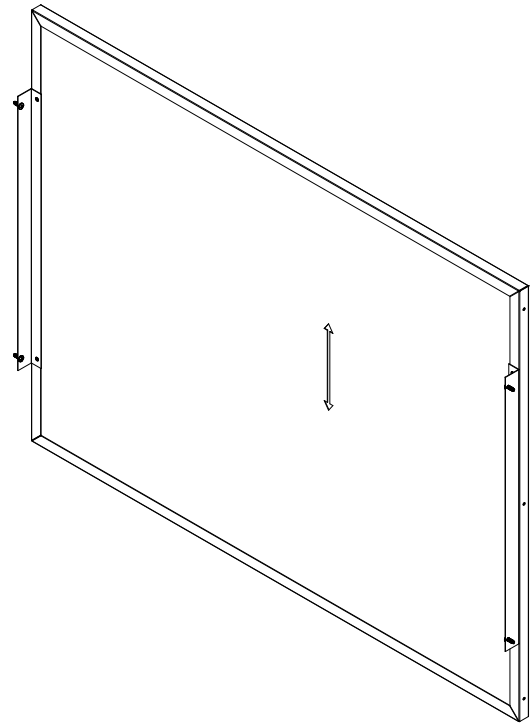
[\\*Return to Table of Contents](#)



| Product Description   |  |
|---|--|
| OBP: 3/4" Thick back panel for base cabinets. Fits exact width of cabinet up to 39"W, wider cabinets use two smaller back panels (ex. OBF4202 uses two 21"W back panels). |  |
| Note: Use standard OBP for ADA SINK SPACE.  |  |
| SKU   | Description  |
| OBP09   | 9" back panel  |
| OBP12   | 12" back panel   |
| OBP15   | 15" back panel   |
| OBP18   | 18" back panel. Order 1 for an 18" or 2 for a 36" non-appliance cabinet. |
| OBP19.5   | 19 1/2" back panel. Order 2 for a 39" non-appliance cabinet.             |
| OBP21   | 21" back panel. Order 1 for a 21" cabinet or 2 for a 42" cabinet.        |
| OBP22   | 22" back panel. Order 3 for Galley sink - OBS6603.                       |
| OBP22.5   | 22 1/2" back panel. Order 2 for a 45" non-appliance cabinet.             |
| OBP24   | 24" back panel. Order 1 for a 24" cabinet or 2 for a 48" cabinet.        |
| OBP26   | 26" back panel. Order 2 for a 52" non-appliance cabinet.                 |
| OBP27   | 27" back panel   |
| OBP30   | 30" back panel   |
| OBP33   | 33" back panel   |
| OBP36   | 36" back panel   |
| OBP39   | 39" back panel   |

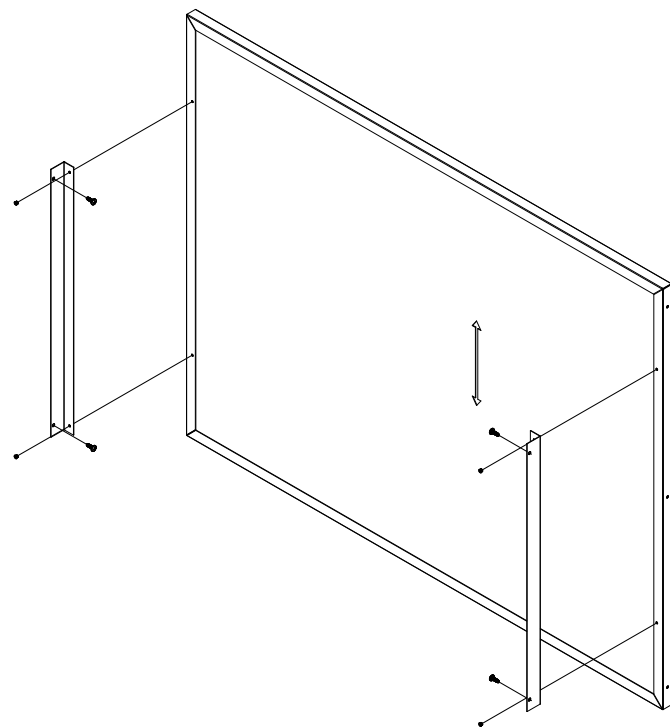
# Cabinet Accessories - ADA Back Panels

[\\*Return to Table of Contents](#)



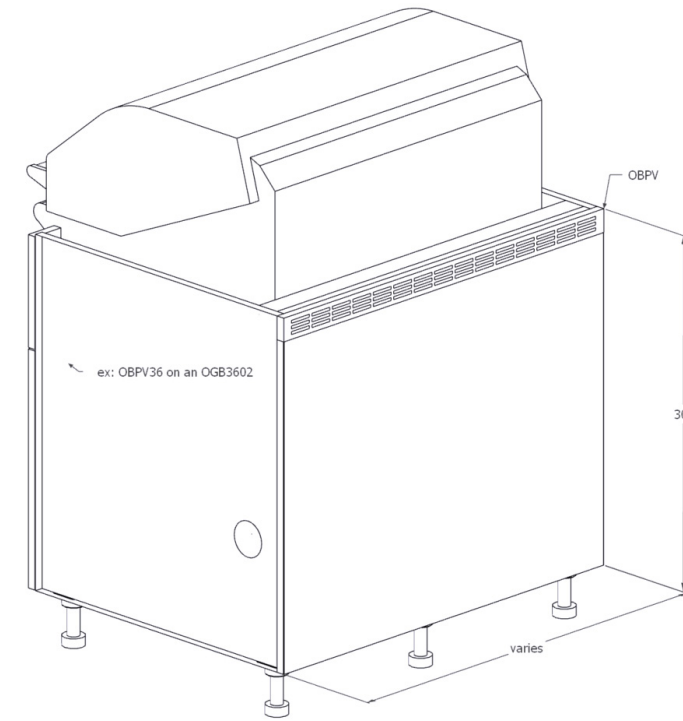
| Product Description  |                                |
|--|--------------------------------|
| <p>OBP: 3/4" Thick back panel for base cabinets. Fits exact width of cabinet up to 39"W, wider cabinets use two smaller back panels (ex. OBF4202 uses two 21"W back panels).</p> <p>Note: Use OBPXX ADA SINK SPACE for ADA SINK SPACE applications.</p> <p>Note: OBPxx ADA EXTEND 6/8 panels are available for use on the bases next to Equal BPs.</p> |                                |
| SKU  | Description                    |
| OBP36 ADA  | 36" back panel for OBS3600 ADA |
| OBP39 ADA  | 39" back panel for OBS3900 ADA |
| OBP42 ADA  | 42" back panel for OBS4200 ADA |
| OBP48 ADA  | 48" back panel for OBS4800 ADA |

**Exploded View**

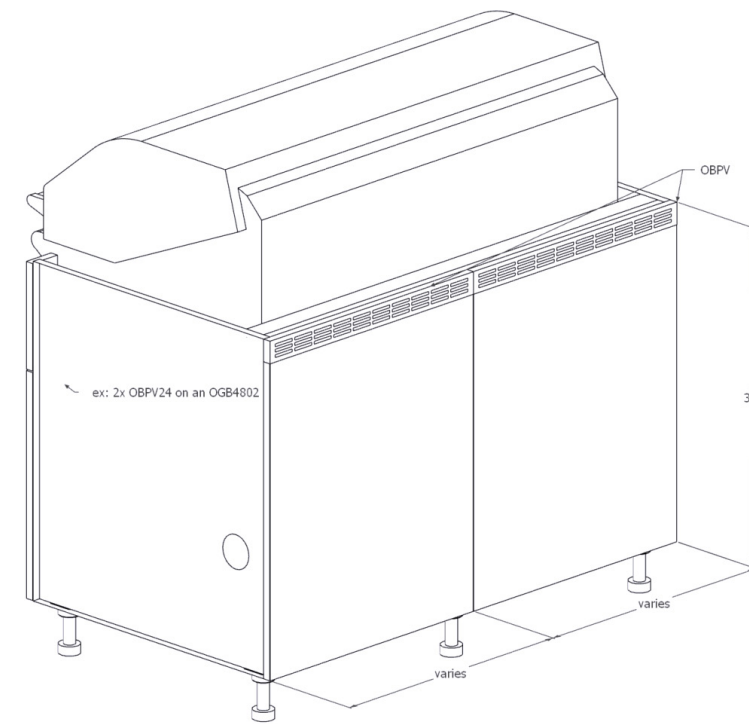


# Cabinet Accessories - Vented Back Panels: OBPV

[\\*Return to Table of Contents](#)

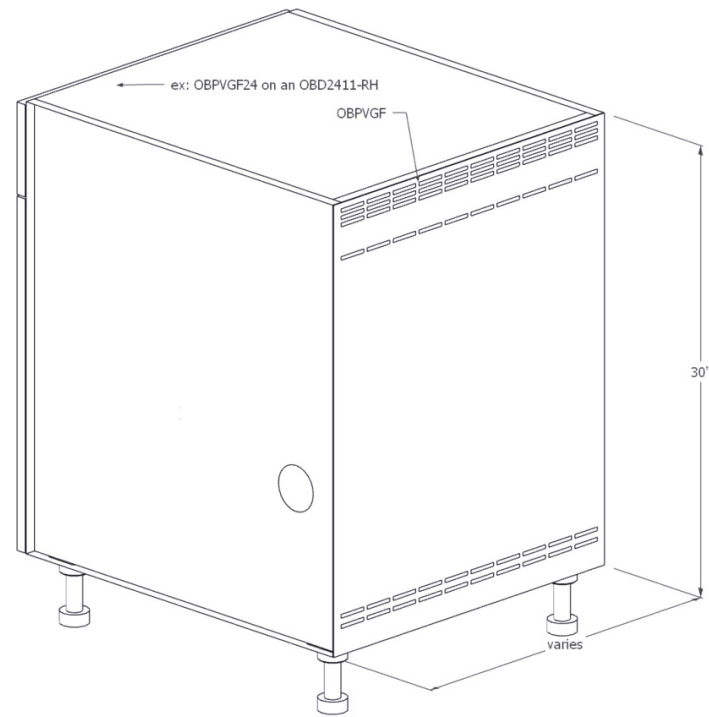


| Product Description  |  |
|--|--|
| <p>OBPV: 3/4" Thick vented back panel for base cabinets. Use with cooking appliance cabinets (OGB, OBB, etc.), fits exact width of cabinet up to 36"W, wider cabinets use two smaller back panels (ex. OGB5841 uses two 29"W back panels).</p> |  |
| SKU  | Description  |
| OBPV15   | 15" vented back panel  |
| OBPV18   | 18" vented back panel. Order 1 for a side burner or 2 for a 36" grill cabinet. |
| OBPV21   | 21" vented back panel. Order 2 for a 42" grill cabinet.                        |
| OBPV24   | 24" vented back panel. Order 2 for a 48" grill cabinet.                        |
| OBPV24 OGF   | 24" vented back panel. Order 2 for a 48" OGF cabinet.                          |
| OBPV27   | 27" vented back panel. Order 2 for a 54" grill cabinet.                        |
| OBPV29   | 29" vented back panel. Order 2 for a 58" grill cabinet.                        |
| OBPV30   | 30" vented back panel  |
| OBPV31   | 31" vented back panel. Order 2 for a 62" grill cabinet.                        |
| OBPV31 OGF   | 36" vented back panel. Order 2 for 62" OGF cabinet.                            |
| OBPV33   | 33" vented back panel  |
| OBPV36   | 36" vented back panel  |
| OBPV39   | 39" vented back panel.   |

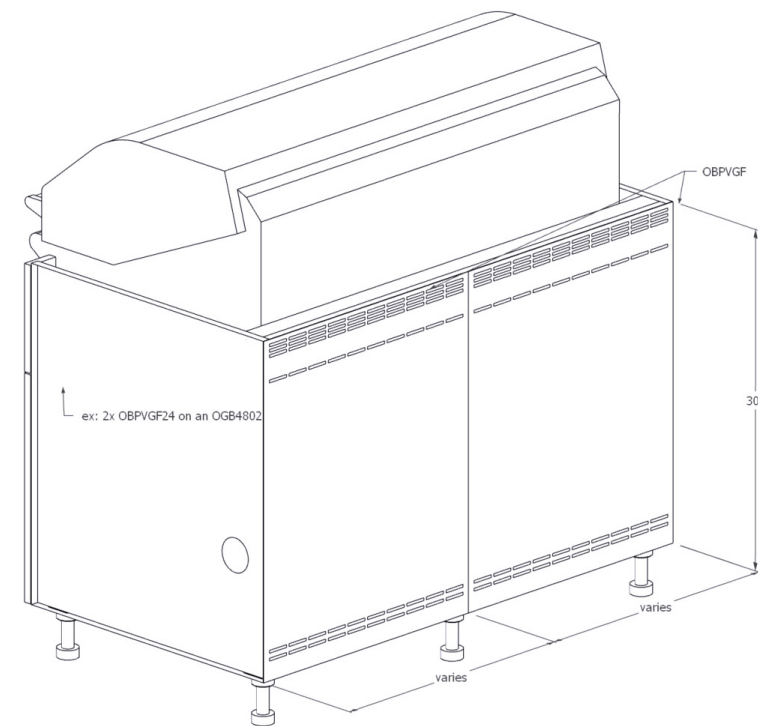


# Cabinet Accessories - Galvanized Vented Back Panels: OBPVGF

[\\*Return to Table of Contents](#)

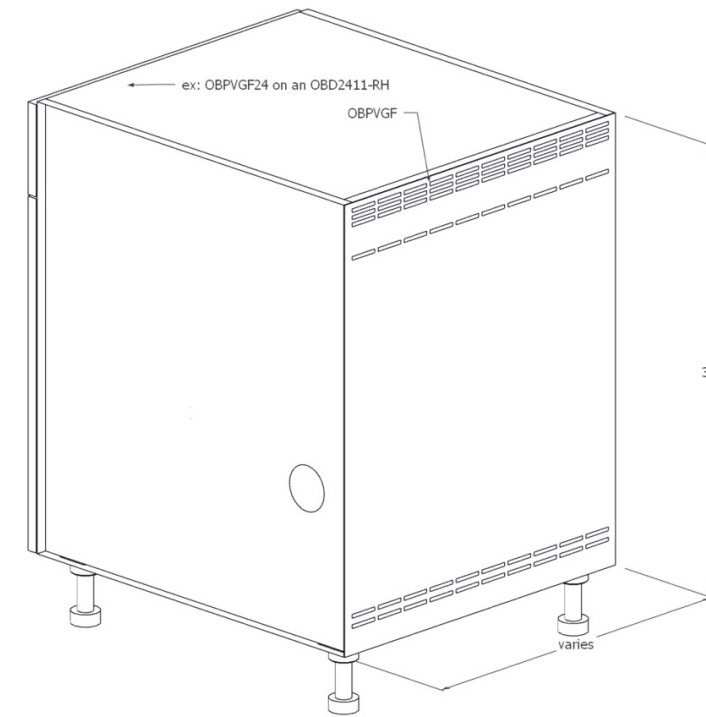


| Product Description   |  |
|---|--|
| OBPVGF: Base cabinet galvanized flush back panel. Sits flush in cabinet back, used to fill in cabinet back for adhering waterfall countertops and other materials. Used in conjunction with Equal Back Panels and Extended Back Panels. Fits exact width of cabinet up to 39"W, wider cabinets use two smaller back panels. |  |
| SKU   | Description  |
| OBPVGF09  | Galvanized 9" filler back panel  |
| OBPVGF12  | Galvanized 12" filler back panel   |
| OBPVGF15  | Galvanized 15" filler back panel   |
| OBPVGF18  | Galvanized 18" filler back panel. Order 1 for an 18" side burner or 2 for a 36" grill cabinet. |
| OBPVGF21  | Galvanized 21" filler back panel. Order 1 for an 21" side burner or 2 for a 42" grill cabinet. |
| OBPVGF22.5  | Galvanized 22.5" filler back panel. Order 2 for a 45" cabinet.                                 |
| OBPVGF24  | Galvanized 24" filler back panel. Order 2 for a 48" grill cabinet.                             |
| OBPVGF27  | Galvanized 27" back panel. Order 2 for a 54" grill cabinet.                                    |
| OBPVGF29  | Galvanized 29" filler back panel. Order 2 for a 58" grill cabinet.                             |
| OBPVGF30  | Galvanized 30" filler back panel.  |
| OBPVGF31  | Galvanized 31" filler back panel. Order 2 for 62" OGF cabinet.                                 |
| OBPVGF33  | Galvanized 33" filler back panel   |
| OBPVGF36  | Galvanized 36" filler back panel   |
| OBPVGF39  | Galvanized 39" filler back panel   |

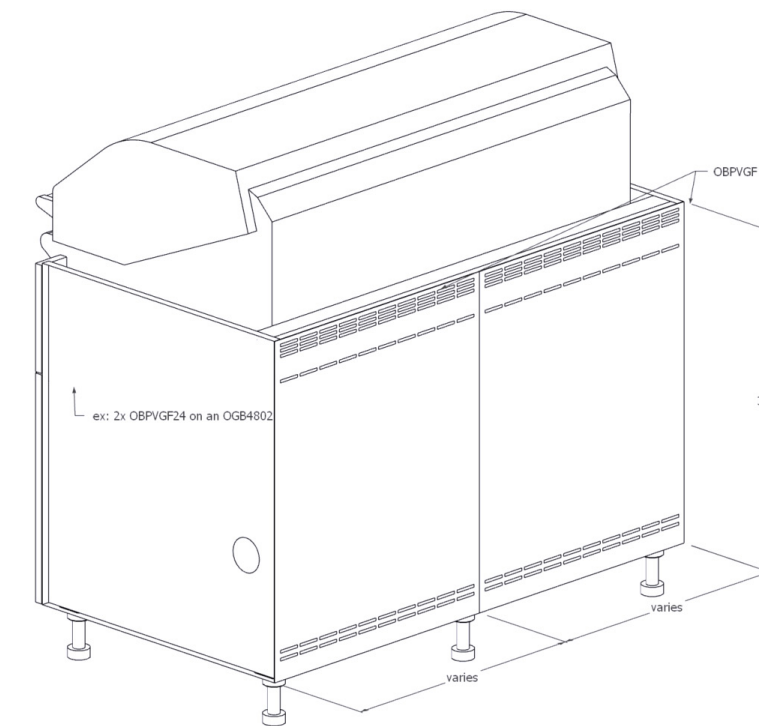


# Cabinet Accessories - OBPVGF 36H

[\\*Return to Table of Contents](#)

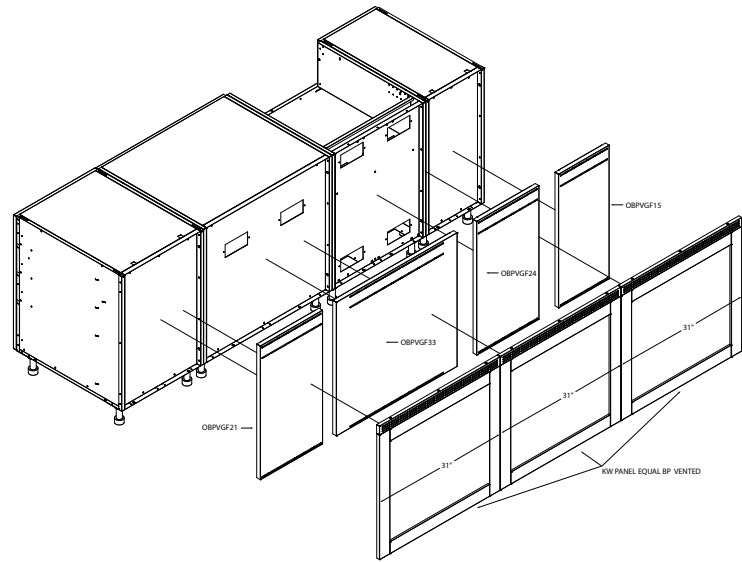


| Product Description  |  |
|--|--|
| OBPVGF: Base cabinet galvanized flush back panel, 36"H for OBFWDxx36 cabinets. Sits flush in cabinet back, used to fill in cabinet back for adhering waterfall countertops and other materials. Used in conjunction with Equal Back Panels and Extended Back Panels. Fits exact width of cabinet up to 39"W, wider cabinets use two smaller back panels. |  |
| SKU  | Description  |
| OBPVGF09 36H   | Galvanized 9" filler back panel  |
| OBPVGF12 36H   | Galvanized 12" filler back panel   |
| OBPVGF15 36H   | Galvanized 15" filler back panel   |
| OBPVGF18 36H   | Galvanized 18" filler back panel. Order 1 for an 18" side burner or 2 for a 36" grill cabinet. |
| OBPVGF21 36H   | Galvanized 21" filler back panel. Order 1 for an 21" side burner or 2 for a 42" grill cabinet. |
| OBPVGF24 36H   | Galvanized 24" filler back panel. Order 2 for a 48" grill cabinet.                             |
| OBPVGF27 36H   | Galvanized 27" back panel. Order 2 for a 54" grill cabinet.                                    |
| OBPVGF30 36H   | Galvanized 30" filler back panel.  |
| OBPVGF33 36H   | Galvanized 33" filler back panel   |
| OBPVGF36 36H   | Galvanized 36" filler back panel   |



# Cabinet Accessories - Equal Back Panels

[\\*Return to Table of Contents](#)

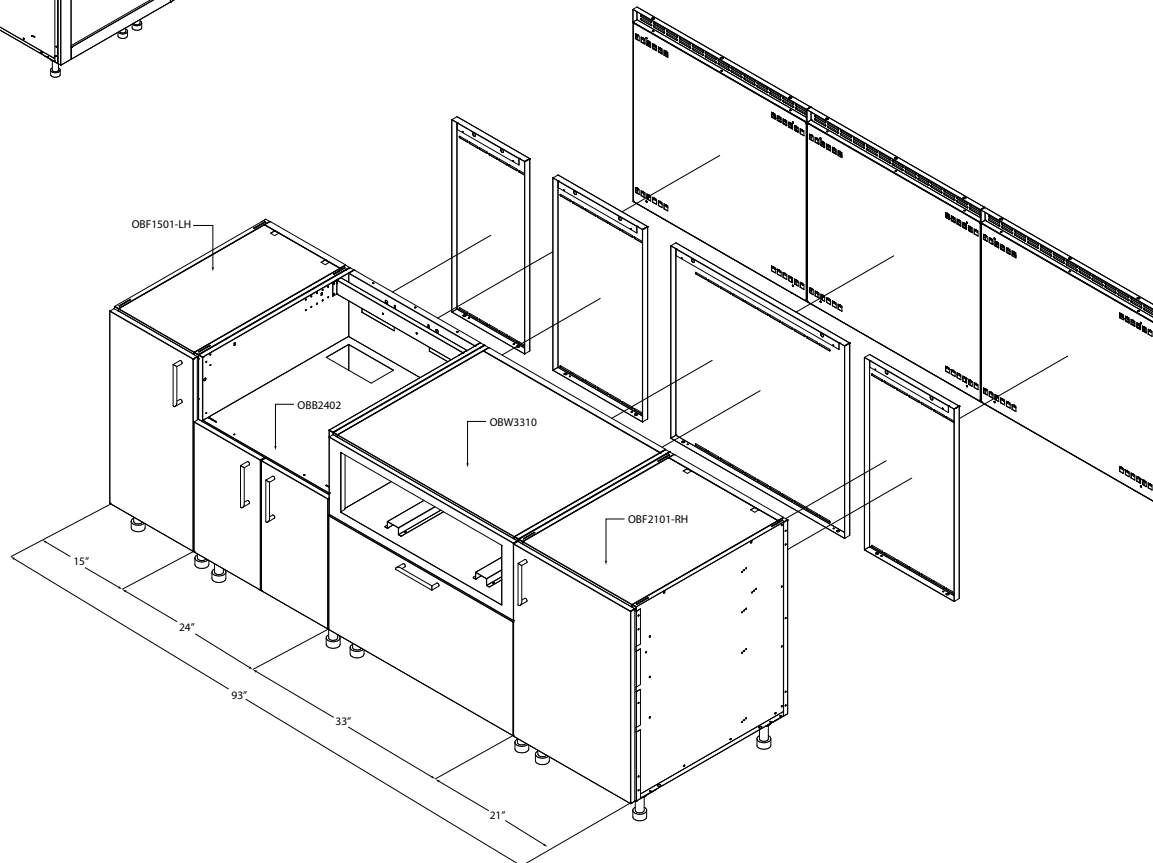
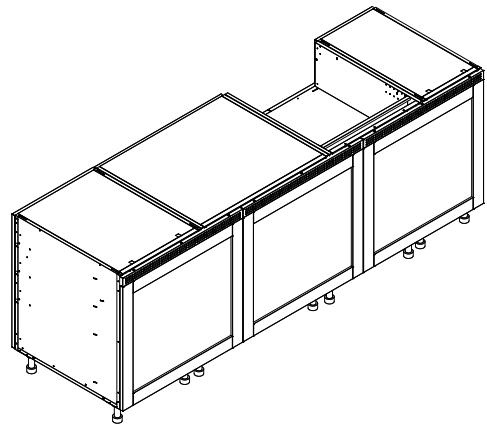


**Product Description**

Equal Back Panels: 3/4" Thick back panels for base cabinets made to match any door style. Widths 9"W - 36"W, custom made to equally span across a run. Must be ordered with OBPVGF galvanized filler back panels on corresponding cabinets for proper installation. Vented or non-vented depending on what cabinets they are being installed on.

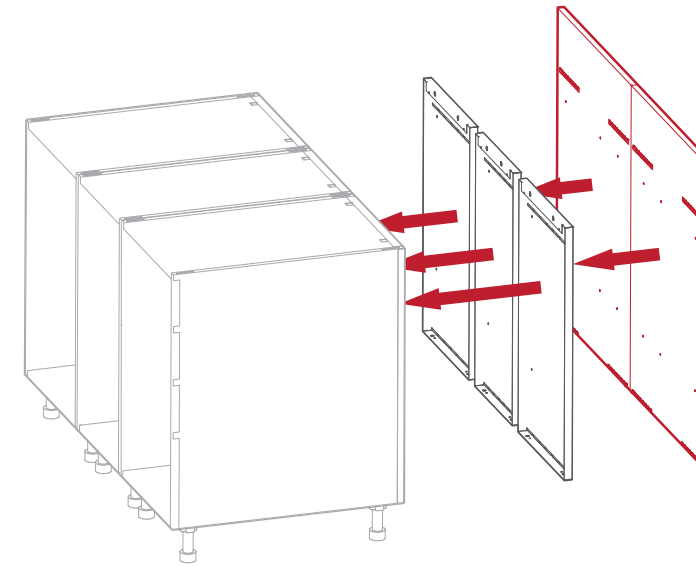
**Notes:** When used with OSP finished side panels, choose the depth of the cabinet with back panels (ex: OSP 28.63 for 27.88"D cabinets). When using Equal Back Panels with an OAR corner setup, one side will overhang by .75" to meet up with the equal panels on the other side.

| SKU                          |                          |                                |
|------------------------------|--------------------------|--------------------------------|
| Door Style                   | Non-vented               | Vented                         |
| Hampton                      | EQUAL BP HM PANEL        | EQUAL BP HM PANEL VENTS        |
| Key West                     | EQUAL BP KW PANEL        | EQUAL BP KW PANEL VENTS        |
| Key West<br>Beadboard Center | EQUAL BP KW BB<br>CENTER | EQUAL BP KW BB<br>CENTER VENTS |
| Key West<br>Louvered Center  | EQUAL BP KW LV<br>CENTER | EQUAL BP KW LV<br>CENTER VENTS |
| Venice                       | EQUAL BP VN              | EQUAL BP VN<br>VENTS           |
| Palm Beach                   | EQUAL BP PB PANEL        | EQUAL BP PB<br>PANEL VENTS     |



# Cabinet Accessories - Extended Equal Back Panels

[\\*Return to Table of Contents](#)

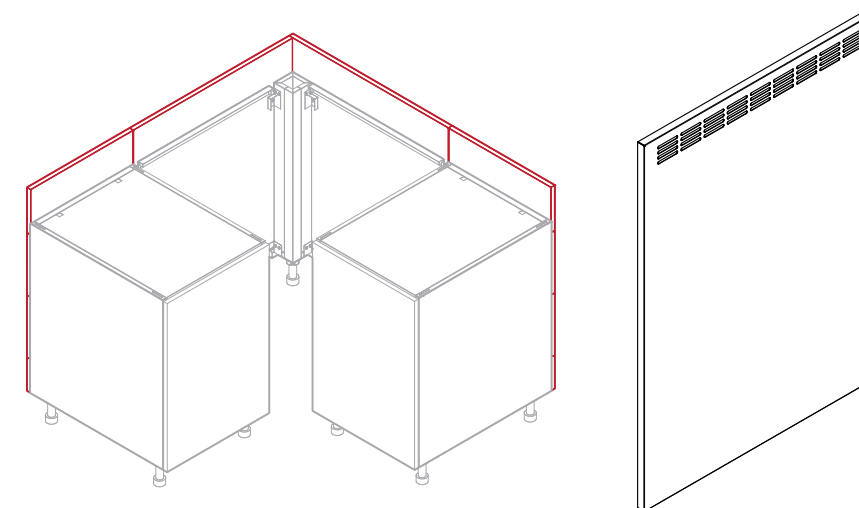
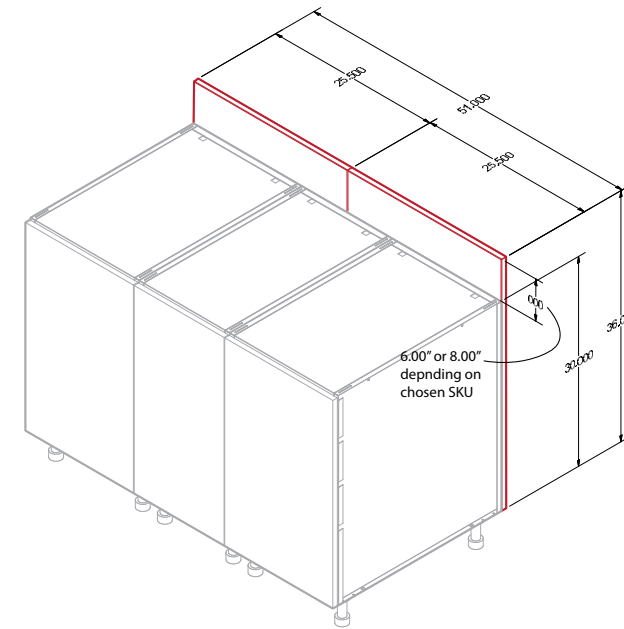


**Product Description**

EQUAL BP HM PANEL EXTEND VENTS or NO VENTS: 3/4" thick back panels for base cabinets that extend above cabinet tops. Height does not scale with countertop height, panels end 6" or 8" above the cabinet tops without any countertop. Widths 9"W - 36"W, custom made to span equally across a run. Must be ordered with OBPVGF galvanized filler back panels on corresponding cabinets to install. Vented or non-vented depending on cabinets installed on.

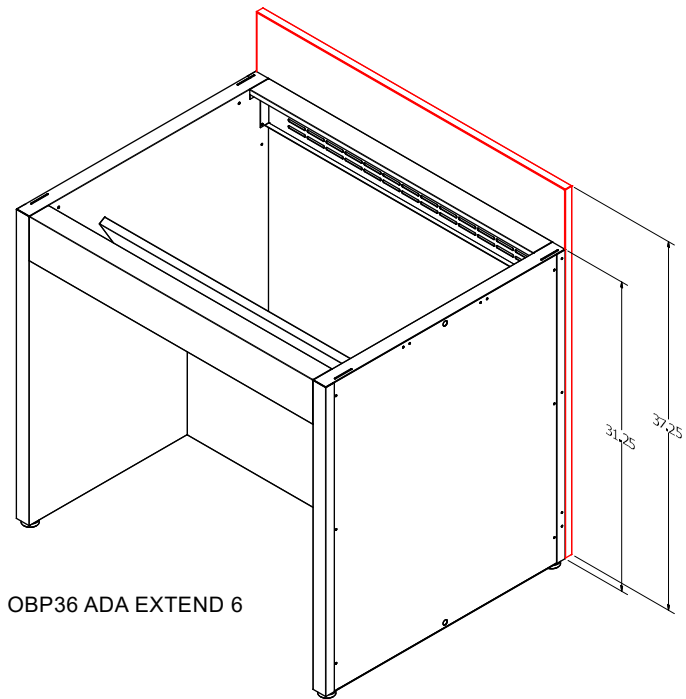
**Notes:** When used with OSP finished side panels, choose the depth of the cabinet without back panels. (Ex: OSP 27.88L or R for 27.88"D cabinets). When using Extended Back Panels with an OAR corner setup, one side will overhang by .75" to meet with equal panels on other side

| SKU                              | Description  |
|----------------------------------|--|
| EQUAL BP HM PANEL EXTEND 6       | Finished equal back panels that extend 6" above cabinet tops.  |
| EQUAL BP HM PANEL EXTEND 6 VENTS | Finished vented equal back panels that extend 6" above cabinet tops.   |
| EQUAL BP HM PANEL EXTEND 8       | Finished equal back panels WITHOUT VENTS that extend 8" above cabinet tops (ADA height). This back panel can ONLY be used with the OCPS41 countertop support pier. |
| EQUAL BP HM PANEL EXTEND 8 VENTS | Finished equal back panels that extend 8" above cabinet tops (ADA height). This back panel can ONLY be used with the OCPS41 countertop support pier.               |

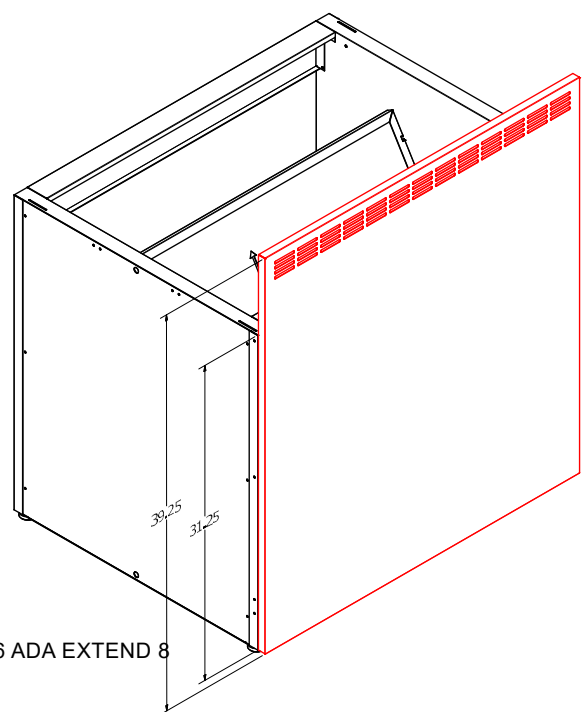


# Cabinet Accessories - ADA Extended Equal Back Panels

[\\*Return to Table of Contents](#)

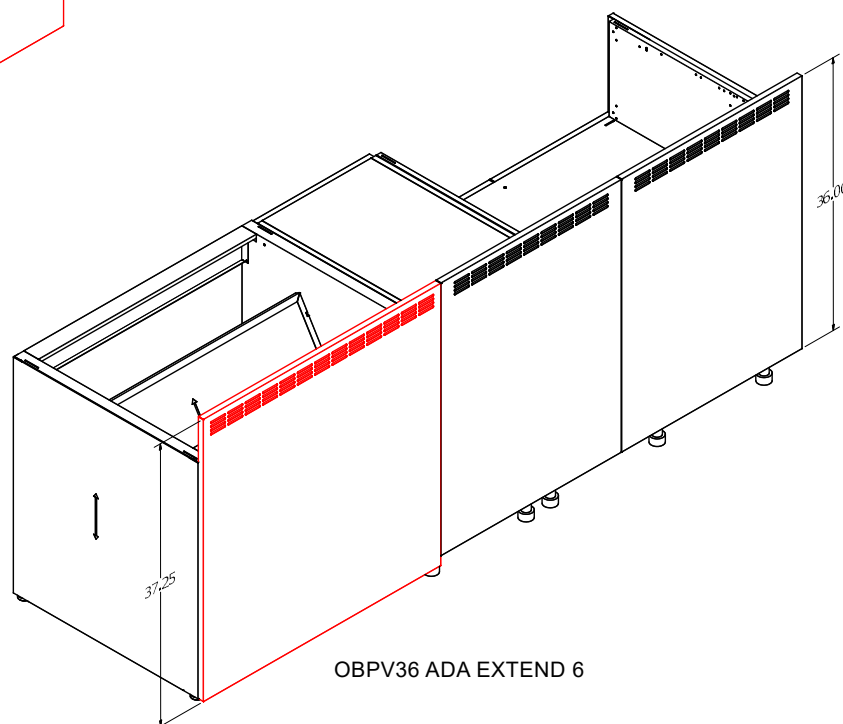


OBP36 ADA EXTEND 6



OBPV36 ADA EXTEND 8

| Product Description   |                     |
|---|---------------------|
| OBPXX ADA EXTEND VENTS or NO VENTS: 3/4" thick back panels for ADA base cabinets that extend above cabinet tops. Height does not scale with countertop height, panels end 6" or 8" above the cabinet tops without any countertop. Fits exact width of cabinet up to 39"W, wider cabinets use two smaller equal back panels. |                     |
| Non-Vented SKU  | Vented SKU          |
| OBP36 ADA EXTEND 6  | OBPV36 ADA EXTEND 6 |
| OBP39 ADA EXTEND 6  | OBPV39 ADA EXTEND 6 |
| OBP42 ADA EXTEND 6  | OBPV42 ADA EXTEND 6 |
| OBP45 ADA EXTEND 6  | OBPV45 ADA EXTEND 6 |
| OBP48 ADA EXTEND 6  | OBPV48 ADA EXTEND 6 |
| OBP60 ADA EXTEND 6  | OBPV60 ADA EXTEND 6 |
| Non-Vented SKU  | Vented SKU          |
| OBP36 ADA EXTEND 8  | OBPV36 ADA EXTEND 8 |
| OBP39 ADA EXTEND 8  | OBPV39 ADA EXTEND 8 |
| OBP42 ADA EXTEND 8  | OBPV42 ADA EXTEND 8 |
| OBP45 ADA EXTEND 8  | OBPV45 ADA EXTEND 8 |
| OBP48 ADA EXTEND 8  | OBPV48 ADA EXTEND 8 |
| OBP60 ADA EXTEND 8  | OBPV60 ADA EXTEND 8 |



OBPV36 ADA EXTEND 6

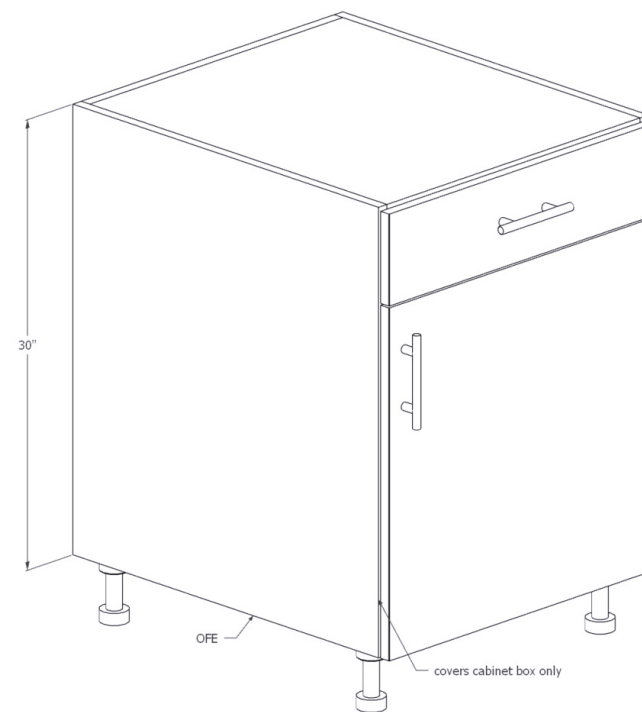
**Note:** These are to be used when there are extended height equal back panels being used in a run, in conjunction with an ADA Sink Base.

Galvanized back panels are not needed for application.

The EXTEND 8" panels are for an ADA application that uses OCPS41, 41E, 41-12 and 41-12E piers for use with barstools. If not using barstools, the EXTEND 6" on it's own, or paired with OCPS41 will work.

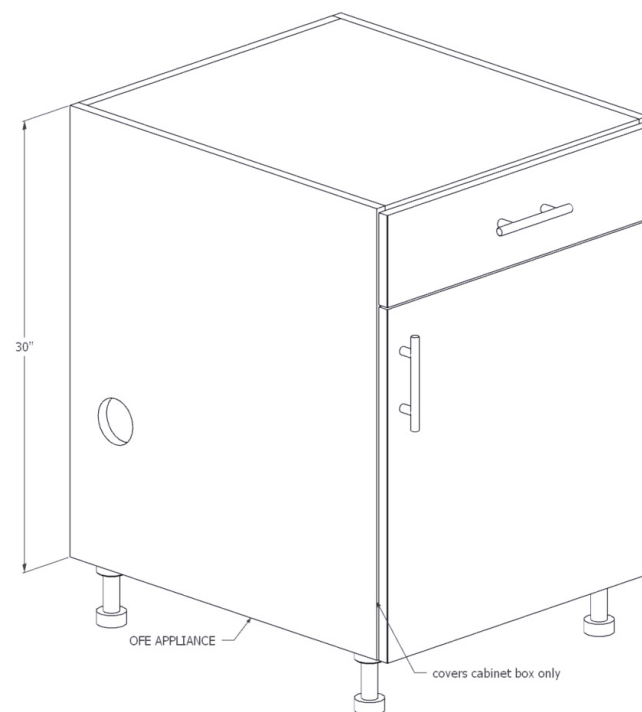
# Cabinet Accessories - Flush End Panels: OFE xxL/R, OFEGFxx

[\\*Return to Table of Contents](#)

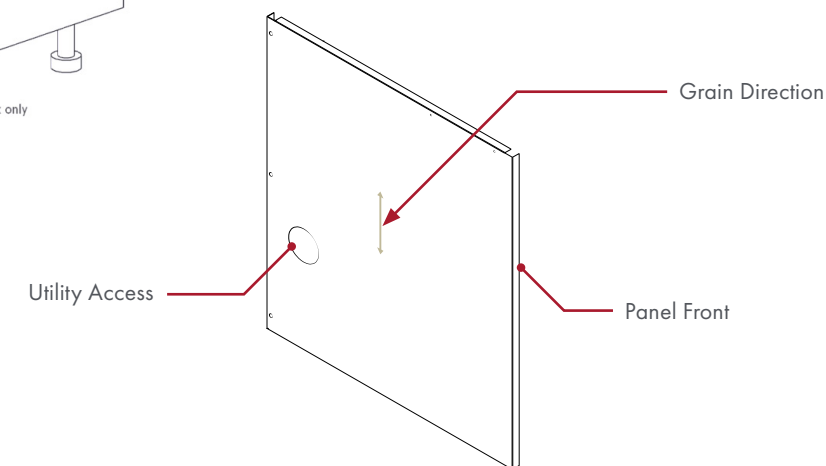


| Product Description   |               |
|---|---------------|
| OFE: Base cabinet flush side panel. Sits flush to cabinet side, specify based on cabinet side and depth. No round access hole cutout or attachment holes for ORS. |               |
| 27" Depth SKU   | 24" Depth SKU |
| OFE 27L   | OFE 24L       |
| OFE 27R   | OFE 24R       |

| Product Description  |                   |
|--|-------------------|
| OFE APPLIANCE: Base cabinet flush side panel. Sits flush to cabinet side, has round knockout access hole for plumbing/electrical in rear of panel, used to finish a cabinet side adjacent to an undercounter appliance. Specify based on cabinet side and depth. |                   |
| 27" Depth SKU  | 24" Depth SKU     |
| OFE 27L APPLIANCE  | OFE 24L APPLIANCE |
| OFE 27R APPLIANCE  | OFE 24R APPLIANCE |



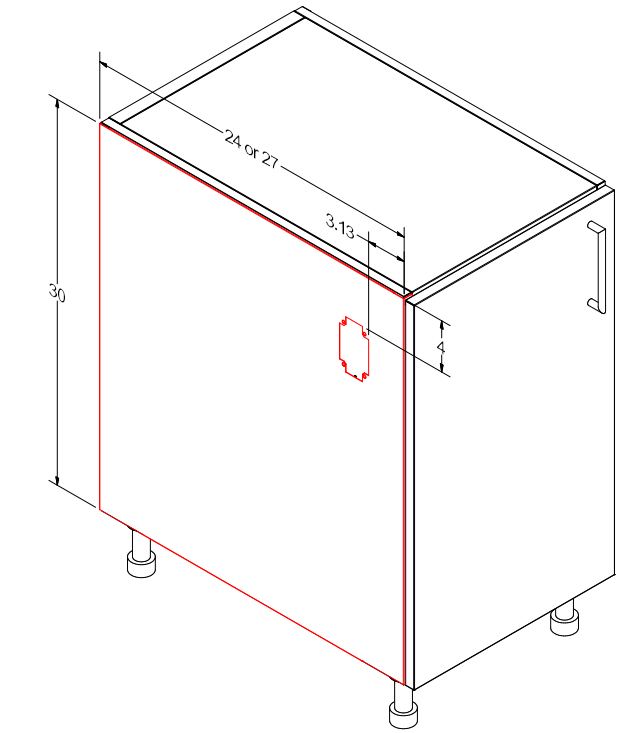
| Product Description  |               |
|--|---------------|
| OFE GF: Base cabinet galvanized flush side panel. Sits flush in cabinet side, used to fill in cabinet side for adhering waterfall countertops and other materials. Specify based on cabinet depth. |               |
| 27" Depth SKU  | 24" Depth SKU |
| OFE GF27   | OFE GF24      |



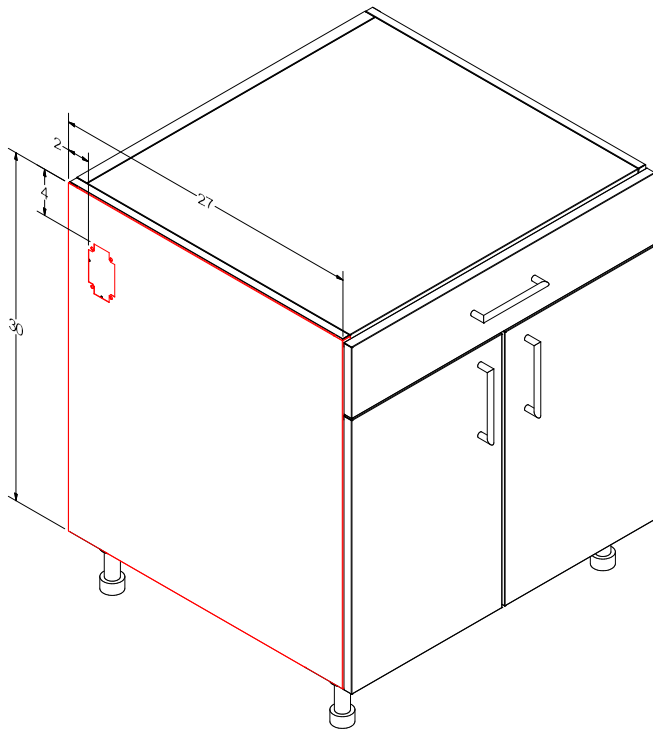


# Cabinet Accessories - Flush End Panels GFCl: OFE xxL/R ELEC

[\\*Return to Table of Contents](#)

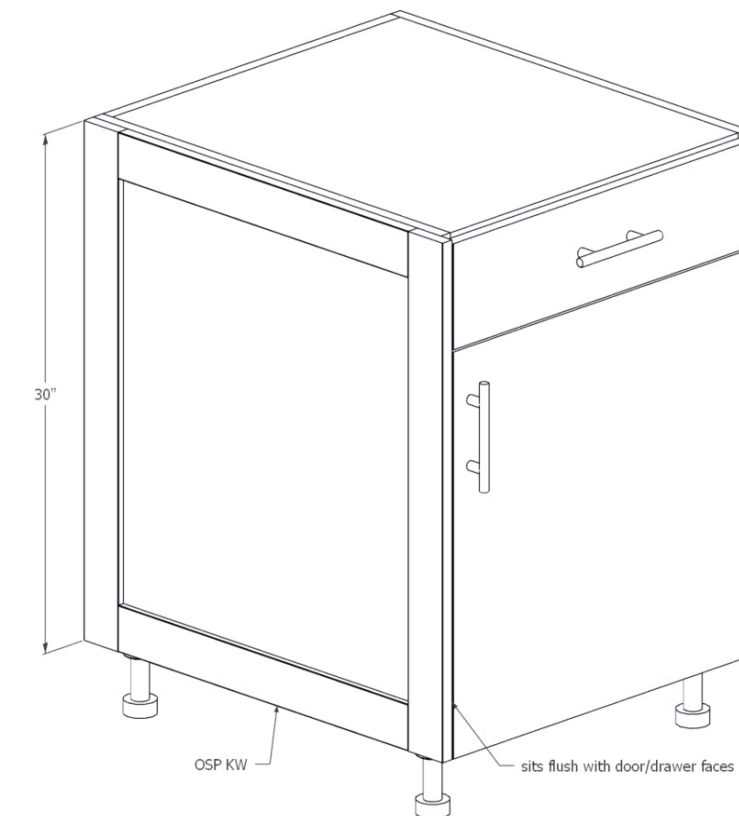
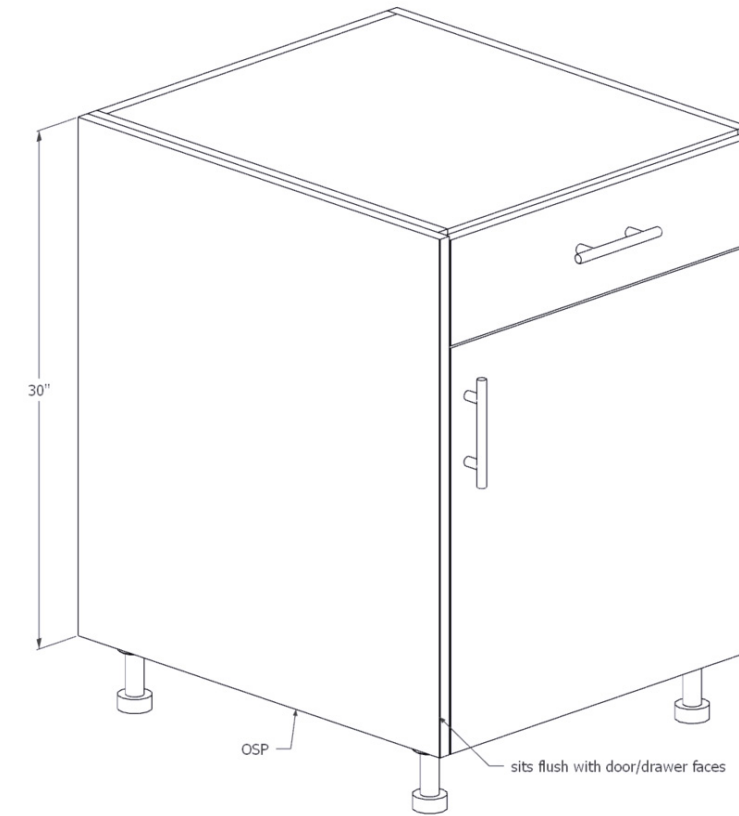


| Product Description  |                    |
|--|--------------------|
| OFE xxL/R ELEC FRONT or REAR: Base cabinet flush side panel. Sits flush to cabinet side, specify based on cabinet side and depth. Choose Front or Rear GFCl cutout in standard location. |                    |
| 27" Depth SKU  | 24" Depth SKU      |
| OFE 27L ELEC FRONT   | OFE 24L ELEC FRONT |
| OFE 27R ELEC FRONT   | OFE 24R ELEC FRONT |
| OFE 27L ELEC REAR  |                    |
| OFE 27R ELEC REAR  |                    |



# Cabinet Accessories - Side Panels: OSP xxL/R

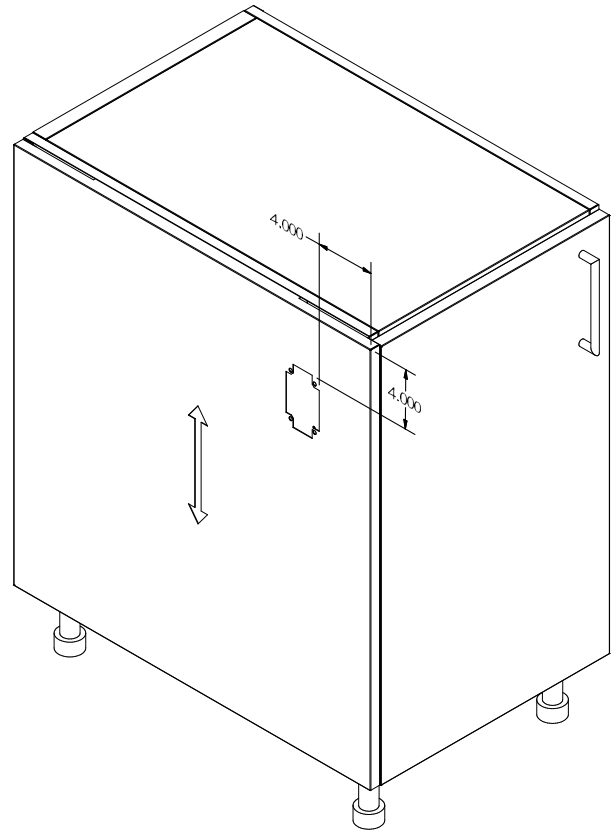
[\\*Return to Table of Contents](#)



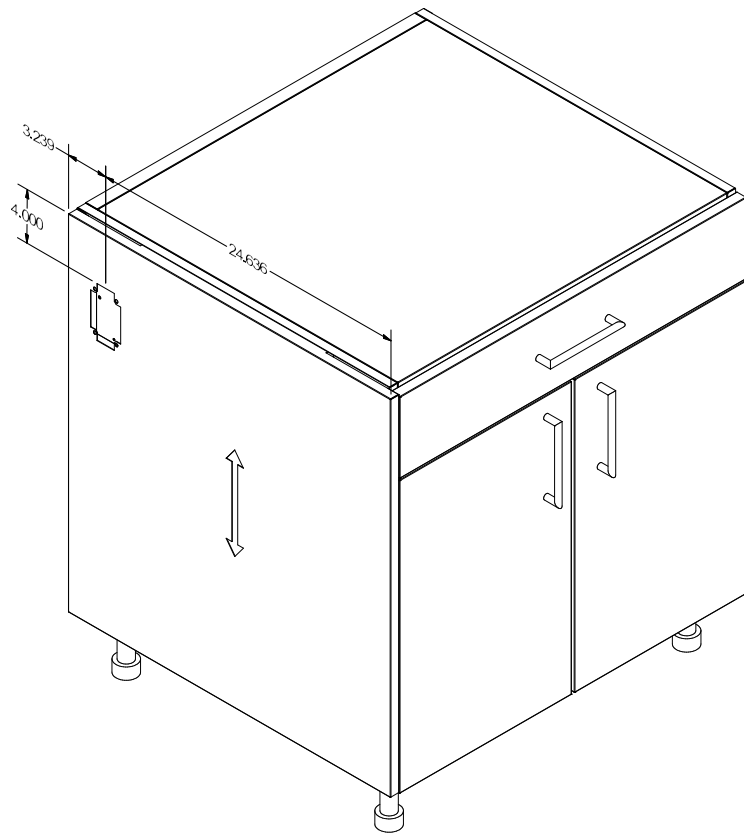
| Product Description  |  |
|--|--|
| OSP: 3/4" Thick side panels for base cabinets. Panels sit flush with door/drawer faces and back panels if used. Specify based on cabinet side and depth (select .75" deeper for use with back panels). |  |
| 24" Depth SKU  |  |
| OSP 24.88L   |  |
| OSP 24.88R   |  |
| OSP 25.63L   | 24"D Cabinet with back panel                                       |
| OSP 25.63R   | 24"D Cabinet with back panel                                       |
| 27" Depth SKU  |  |
| OSP 27.88L   |  |
| OSP 27.88R   |  |
| OSP 28.63L   | 27"D Cabinet with back panel                                       |
| OSP 28.63R   | 27"D Cabinet with back panel                                       |
| OSP panels can be made to match any door style.  |  |
| SKU Prefix   | Door Style   |
| OSP KW   | Key West Panel   |
| OSP KW BB  | Key West Bead Board Center   |
| OSP KW LV  | Key West Louvered Center   |
| OSP KW SG  | Key West Seaglass Center (Sky Blue, Seafoam Green, or Cloud White) |
| OSP PB   | Palm Beach Panel   |
| OSP VN   | Venice Panel   |

# Cabinet Accessories - Side Panels GFCI: OSP xxL/R ELEC

[\\*Return to Table of Contents](#)

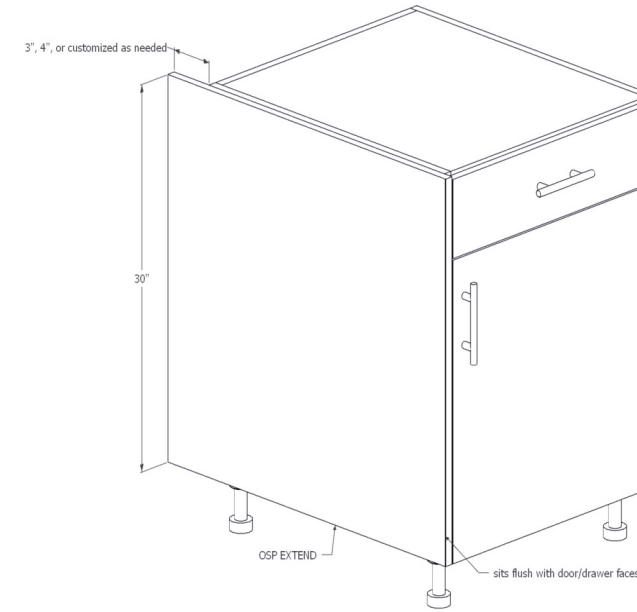


| Product Description   |
|---|
| OSP: 3/4" Thick side panels for base cabinets. Panels sit flush with door/drawer faces and back panels if used. Specify based on cabinet side and depth (select .75" deeper for use with back panels). Choose Front or Rear GFCI cutout in standard location. |
| 24" Depth SKU   |
| OSP 24.88L ELEC FRONT   |
| OSP 24.88R ELEC FRONT   |
| OSP 25.63L ELEC FRONT   |
| OSP 25.63R ELEC FRONT   |
| OSP 27.88L ELEC FRONT   |
| OSP 27.88R ELEC FRONT   |
| OSP 27.88L ELEC REAR  |
| OSP 27.88R ELEC REAR  |
| OSP 28.63L ELEC FRONT   |
| OSP 28.63R ELEC FRONT   |
| OSP 28.63L ELEC REAR  |
| OSP 28.63R ELEC REAR  |



# Cabinet Accessories - Extended Side Panels: OSP EXTEND

[\\*Return to Table of Contents](#)

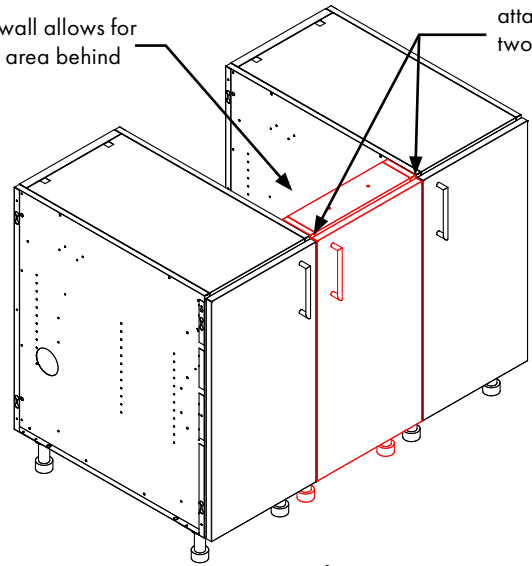


| Product Description  |  |
|--|--|
| OSP EXTEND: 3/4" Thick side panels for base cabinetry, extends past the back of cabinet to cover gaps in back when cabinets are pulled forward from walls. Panels sit flush with door/drawer faces in front. 3" and 4" extended panels standard. Custom sizes also available, use "XX" SKU. Specify based on cabinet size and depth. |  |
| 27" Depth SKU  | 24" Depth SKU  |
| OSP 27.88L EXTEND 3.0  | OSP 24.88L EXTEND 3.0  |
| OSP 27.88R EXTEND 4.0  | OSP 24.88R EXTEND 4.0  |
| Custom SKU   | Note   |
| OSP XXL/R EXTEND XX  | XX"=Cabinet depth (24.88" or 27.88") x XX" extended depth needed |

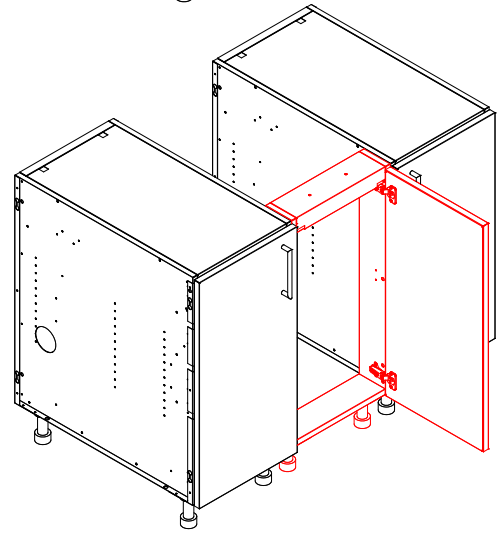
# Cabinet Accessories - Access Door Fillers: OFFxx

[\\*Return to Table of Contents](#)

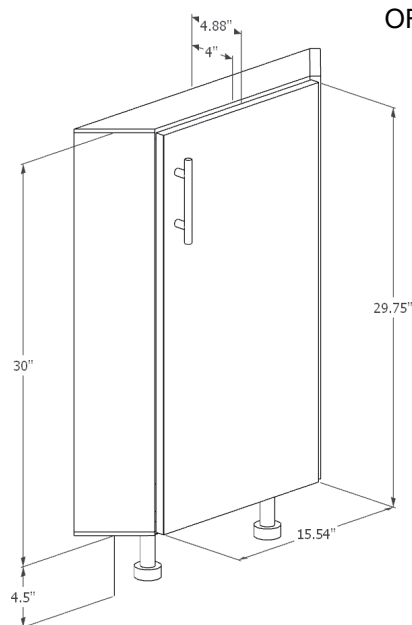
no backwall allows for access to area behind  
attaches like a filler between two base cabinets



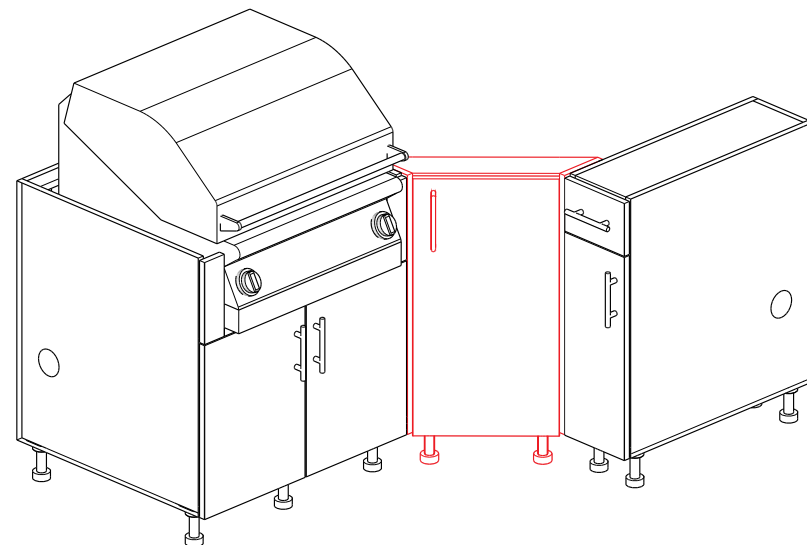
| Product Description   |            |
|---|------------|
| OFF: Full-Height door filler cabinet, 4"D with no back wall for easy access to area behind. 1 Door at 24"W and smaller, 2 doors at 27-36"W. Attaches between two base cabinets. |            |
| *legs/toe kick/frame remain in place when door is opened*   |            |
| 1 Door SKU  | 2 Door SKU |
| OFF09-LH / RH   | OFF27      |
| OFF12-LH / RH   | OFF30      |
| OFF15-LH / RH   | OFF33      |
| OFF18-LH / RH   | OFF36      |
| OFF21-LH / RH   |            |
| OFF24-LH / RH   |            |



| Product Description   |  |
|---|--|
| OFF CORNER: Full-Height door filler cabinet, 4"D with no back wall for easy access to area behind. Installs in between two cabinets at a corner. 1 Door, specify hinge direction. |  |
| SKU   |  |
| OFF15.5 CORNER  |  |

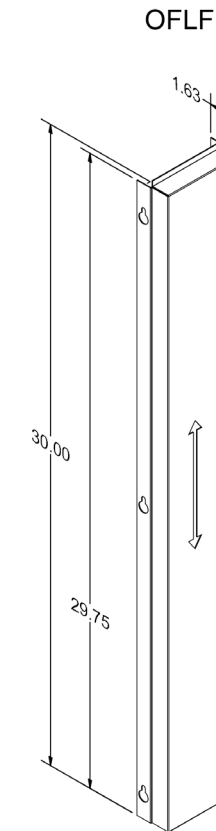


OFF CORNER



# Cabinet Accessories - Front Fillers: OFLFxx, OFLF ENDxx

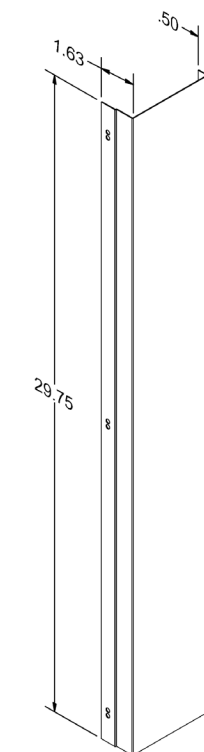
[\\*Return to Table of Contents](#)



OFLF

| Product Description  |  |
|--|--|
| OFLF: Front base cabinet filler, sits flush with door/drawer faces, joggle bends on both sides to attach between two base cabinets. 1"W minimum, available in 1/8" increments as needed.<br>Example: OFLF 1.25 |  |
| SKU  |  |
| OFLFXX   |  |

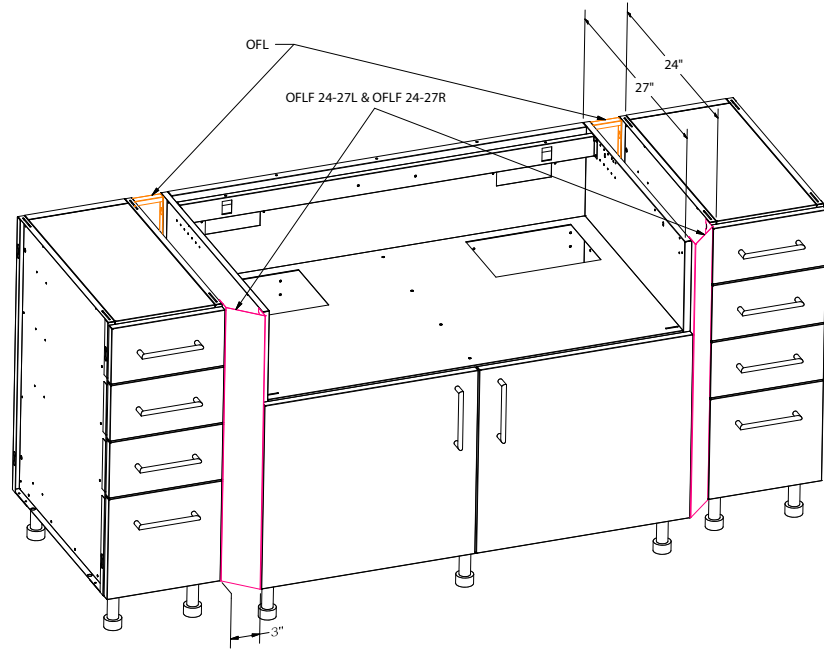
OFLF END



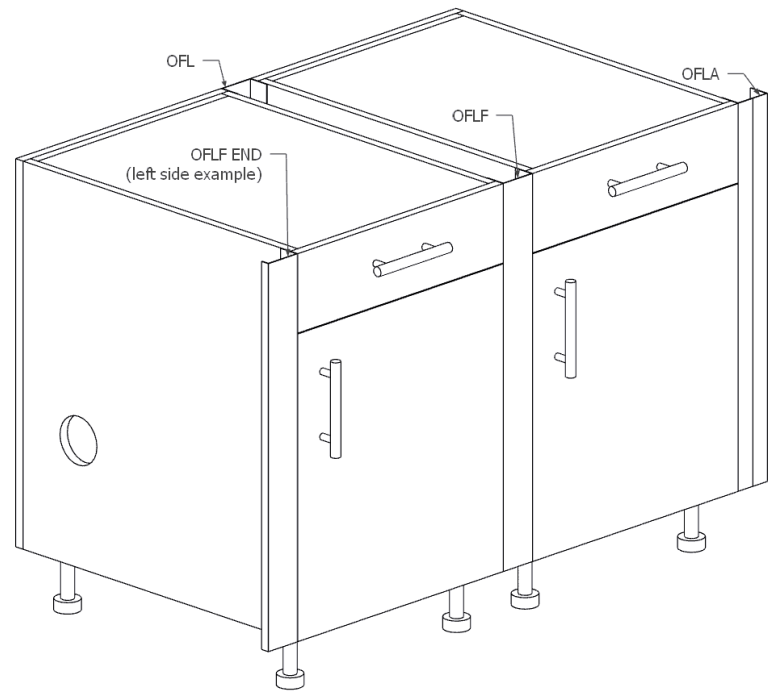
| Product Description   |  |
|---|--|
| OFLF END: Front base cabinet end filler, sits flush with door/drawer faces, attaches between a base cabinet and a wall. 0.5"W minimum, available in 1/8" increments as needed. Joggle bend on one side to attach to cabinet, flat bend on other side for easy installation to wall, specify side.<br>Example: OFLF END 2.00 |  |
| SKU   |  |
| OFLF END XX   |  |

# Cabinet Accessories - Front Fillers: OFLF 24-27L/R, OFLA x-x

[\\*Return to Table of Contents](#)



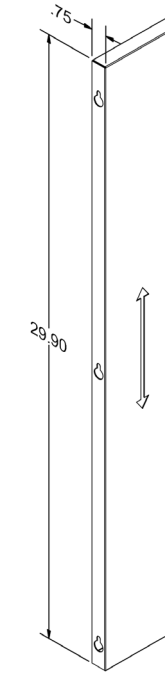
| Product Description   |
|---|
| OFLF: Front Filler with joggle bends, 29.75"H angled at 45 degrees to connect a 24"D cabinet to a 27"D cabinet or vice versa. Filler width is 4.25"W but it creates a 3"W gap between the cabinets where it connects. |
| SKU   |
| OFLF 24-27L   |
| OFLF 24-27R   |



| Product Description   |
|---|
| OFLA: Adjustable front base cabinet filler, 29.75"H, sits flush with door/drawer faces, joggle bends on both sides to attach between two base cabinets. |
| SKU   |
| OFLA 1.0-1.50   |
| OFLA 1.5-2.38   |
| OFLA 2.0-3.5  |

# Cabinet Accessories - Rear Filler: OFLxx

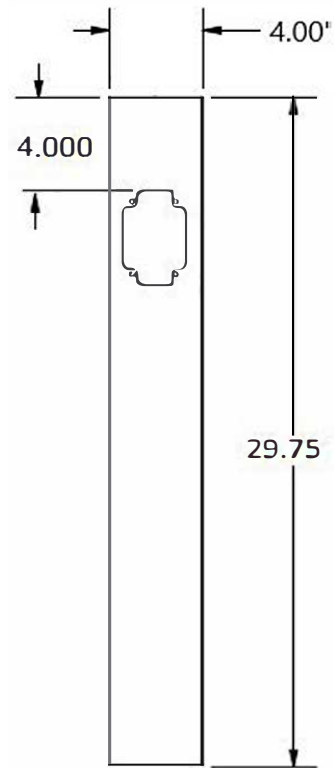
[\\*Return to Table of Contents](#)



| Product Description  |
|--|
| OFL: Rear base cabinet filler with two flat bends. Installs flush with cabinet back or back panels if present, attaches between two base cabinets. 1"W minimum, available in 1/8" increments as needed.<br>Example: OFL 1.25 |
| SKU  |
| OFL XX   |

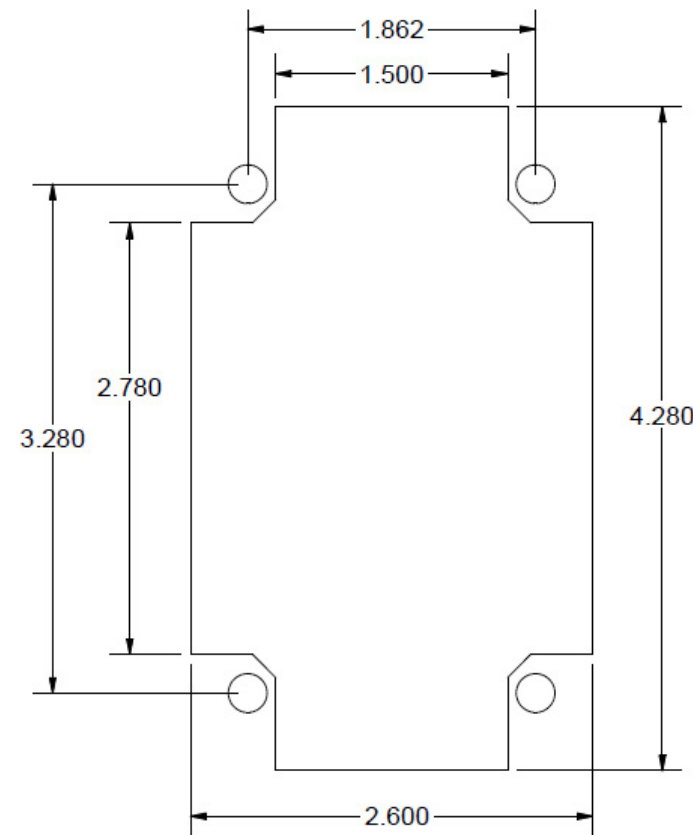
# Cabinet Accessories - Front/Rear Fillers with GFCI cutout

[\\*Return to Table of Contents](#)



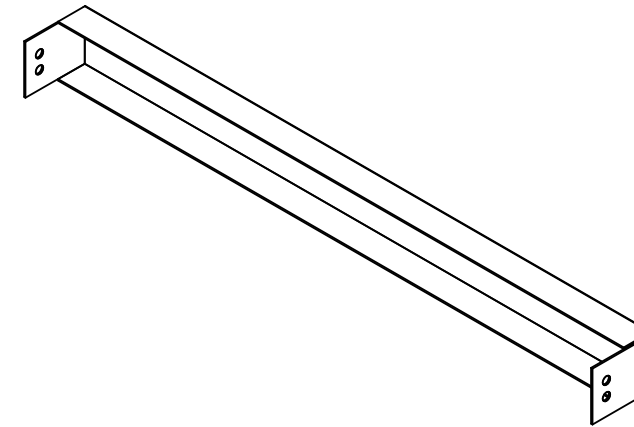
| Product Description  |
|--|
| OFLF ELEC: Front base cabinet filler, 29.75"H to sit flush with door/drawer faces, joggle bends on both sides to attach between two base cabinets. 1"W minimum, available in 1/8" increments as needed. Standard GFCI electrical cutout located 4" down from the top of the filler and centered. |
| *GFCI Outlet Box not provided.   |
| SKU  |
| OFLF 4.00 ELEC   |

| Product Description   |
|---|
| OFL ELEC: Rear base cabinet filler, installs flush with cabinet back or back panels if present, attaches between two base cabinets. 1"W minimum, available in 1/8" increments as needed. Standard GFCI electrical cutout located 4" down from the top of the filler and centered. |
| SKU   |
| OFL 4.00 ELEC   |

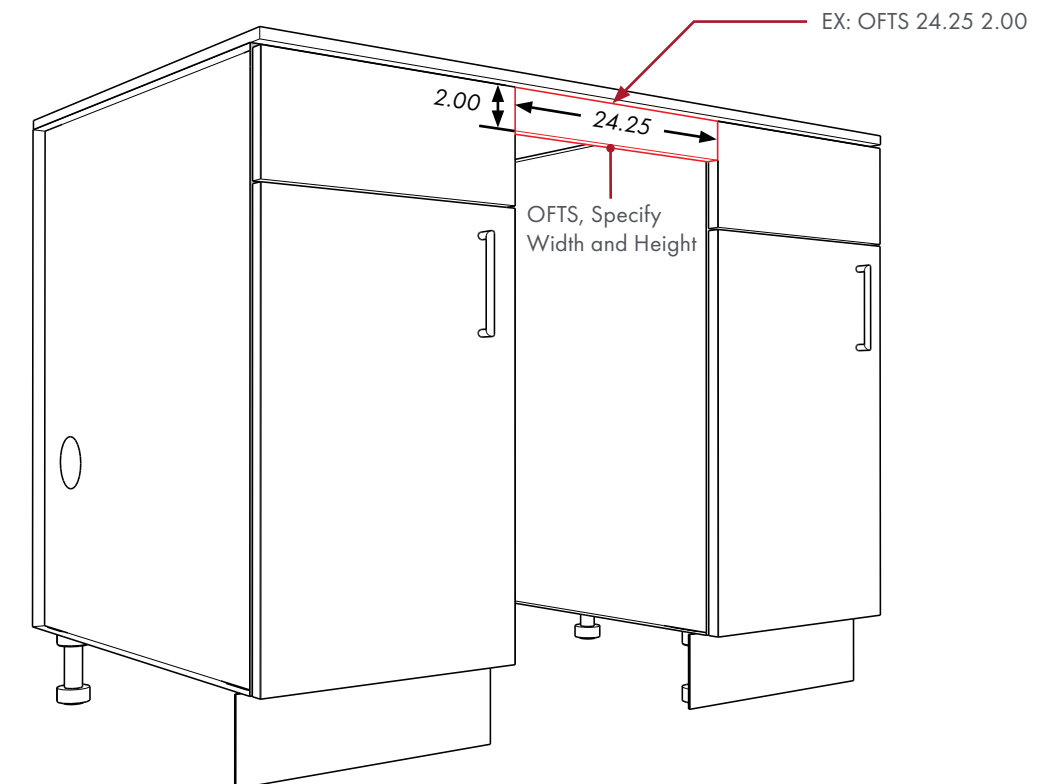
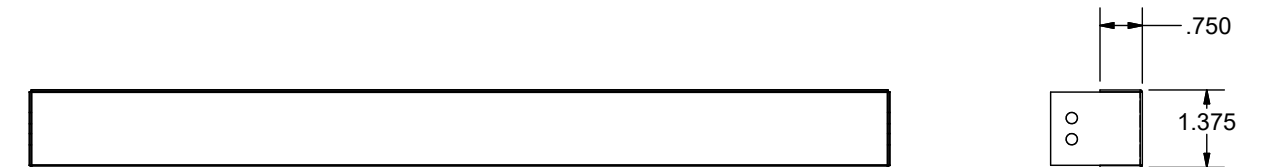
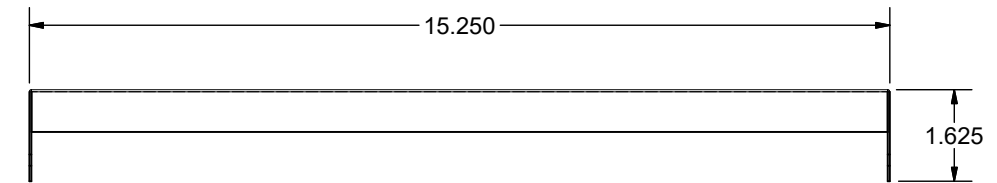


# Cabinet Accessories - Undercounter Appliance Filler: OFTS xx xx

[\\*Return to Table of Contents](#)



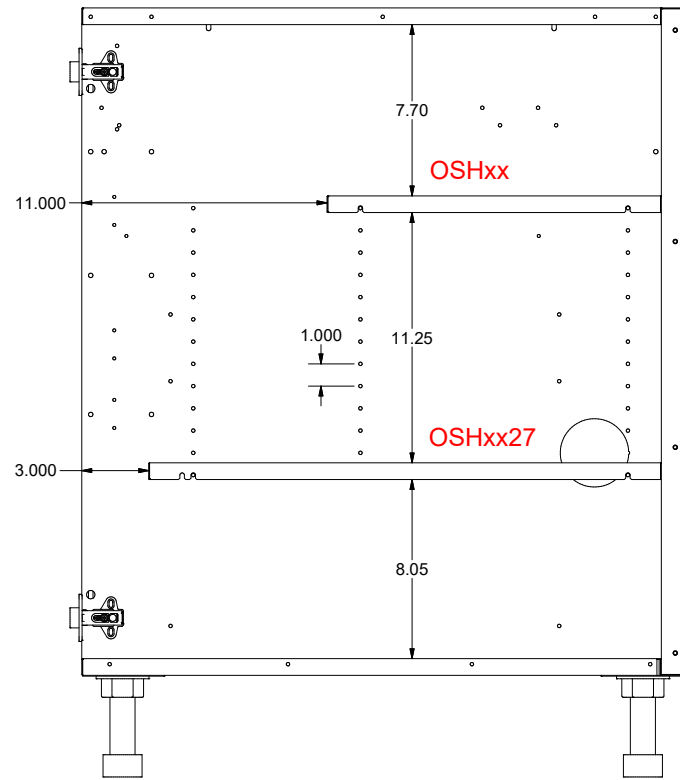
| Product Description   |                     |
|---|---------------------|
| OFTS: Horizontal top spacer to fill gap between undercounter appliance top and countertop. Example SKU: OFTS 24.25 2.00 |                     |
| SKU   | Description         |
| OFTS XX XX  | XX" Wide x XX" High |



# Cabinet Accessories - Half and Full-Depth Shelving: OSH

[\\*Return to Table of Contents](#)

We offer a variety of different shelving options including half-depth, full-depth, pullout, and heavy duty pullout shelves for ice chests. NOTE: Appliance shelves are installed in FIXED position and cannot be adjusted.



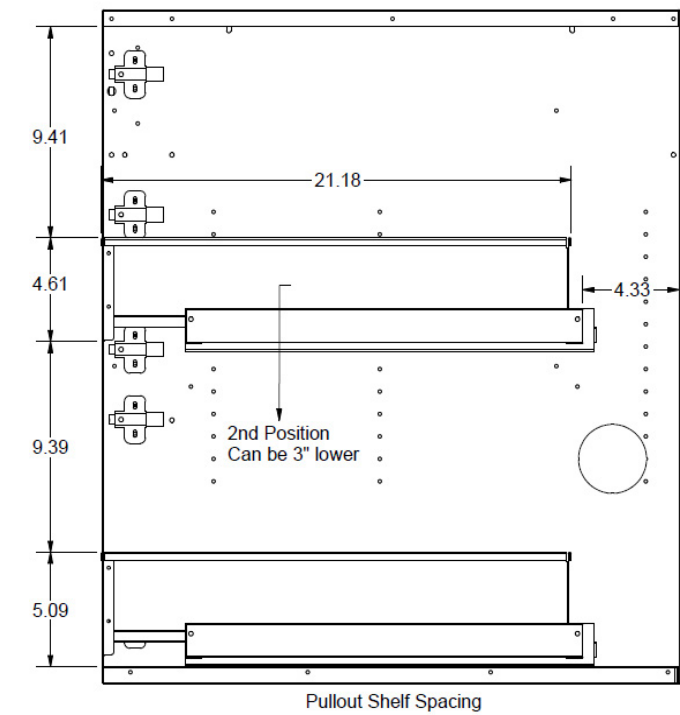
| Product Description                  |
|--------------------------------------|
| OSHxx: Half-Depth Shelves, 15" deep. |
| 27" Depth SKU                        |
| OSH12                                |
| OSH15                                |
| OSH16.5 (for 33"W grill bases)       |
| OSH18                                |
| OSH19.3 (for 58"W grill bases)       |
| OSH20.7 (for 62"W grill bases)       |
| OSH21                                |
| OSH24                                |
| OSH27                                |
| OSH30                                |
| OSH33                                |
| OSH36                                |
| OSH39                                |
| OSH42                                |
| OSH45                                |
| OSH48                                |

| Product Description                           |               |
|---|---------------|
| OSHxxxy: Full-Depth shelves (15" or 18" deep) |               |
| 18" Depth SKU                                 | 15" Depth SKU |
| OSH0918                                       | OSH0915       |
| OSH1218                                       | OSH1215       |
| OSH1518                                       | OSH1515       |
| OSH1818                                       | OSH1815       |
| OSH2118                                       | OSH2115       |
| OSH2418                                       | OSH2415       |
| OSH2718                                       | OSH2715       |
| OSH3018                                       | OSH3015       |
| OSH3318                                       | OSH3315       |
| OSH3618                                       | OSH3615       |
| OSH3918                                       | OSH3915       |
| OSH4218                                       | OSH4215       |
| OSH4518                                       | OSH4515       |
| OSH4818                                       | OSH4815       |

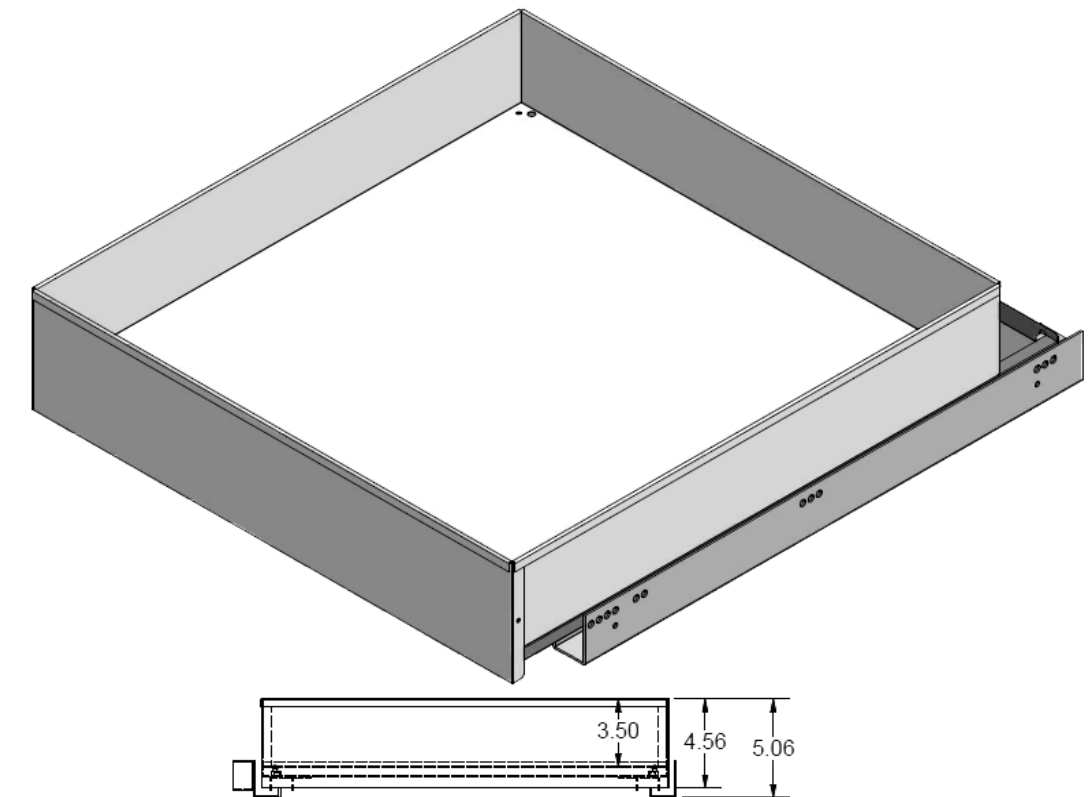
| Product Description                           |               |
|---|---------------|
| OSHxxxy: Full-Depth shelves (24" or 27" deep) |               |
| 27" Depth SKU                                 | 24" Depth SKU |
| OSH0927                                       | OSH0924       |
| OSH1227                                       | OSH1224       |
| OSH1527                                       | OSH1524       |
| OSH16.5-27                                    | OSH16.5-24    |
| OSH1827                                       | OSH1824       |
| OSH2127                                       | OSH2124       |
| OSH22.5-27                                    | OSH22.5-24    |
| OSH2427                                       | OSH2424       |
| OSH2727                                       | OSH2724       |
| OSH3027                                       | OSH3024       |
| OSH3327                                       | OSH3324       |
| OSH3627                                       | OSH3624       |
| OSH3927                                       | OSH3924       |
| OSH4227                                       | OSH4224       |
| OSH4527                                       | OSH4524       |
| OSH4827                                       | OSH4824       |

# Cabinet Accessories - Pullout Shelving

[\\*Return to Table of Contents](#)

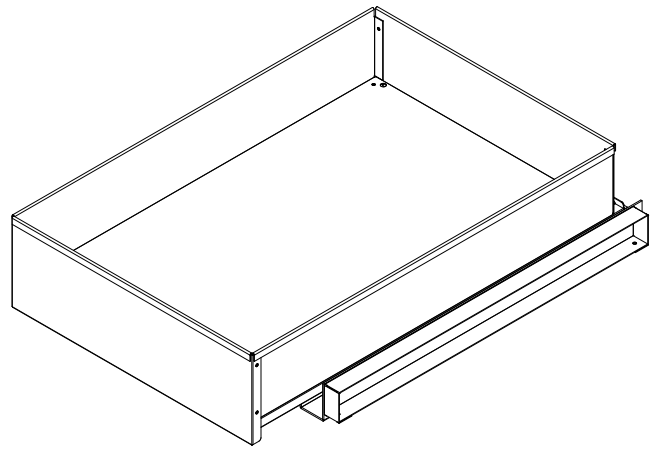


| Product Description             |
|---------------------------------|
| OSHxxP: Pullout Shelf           |
| Pullout SKU                     |
| OSH12P                          |
| OSH15P                          |
| OSH16.5P (for 33"W grill bases) |
| OSH18P                          |
| OSH19.3P (for 58"W grill bases) |
| OSH19.5P (for 39"W grill bases) |
| OSH20.7P (for 62"W grill bases) |
| OSH22.5P (for 45"W grill bases) |
| OSH21P                          |
| OSH24P                          |
| OSH27P                          |
| OSH30P                          |
| OSH33P                          |
| OSH36P                          |
| OSH39P                          |
| OSH42P                          |
| OSH45P                          |
| OSH48P                          |



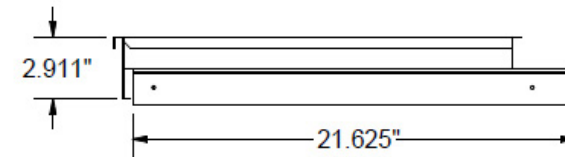
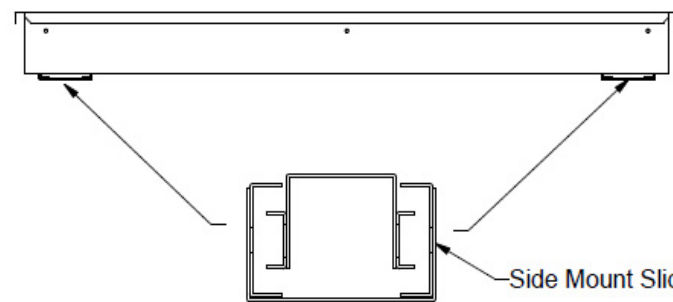
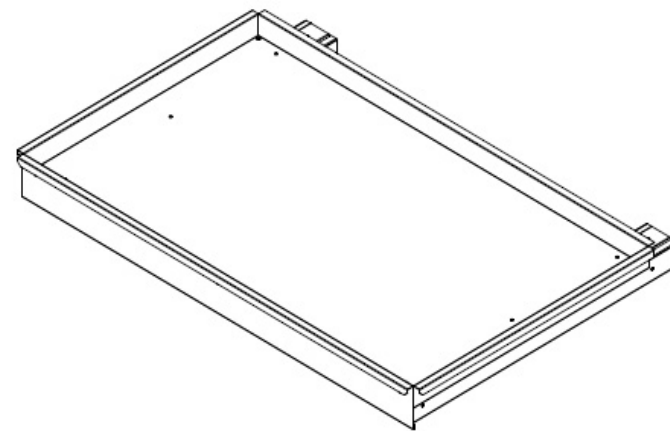
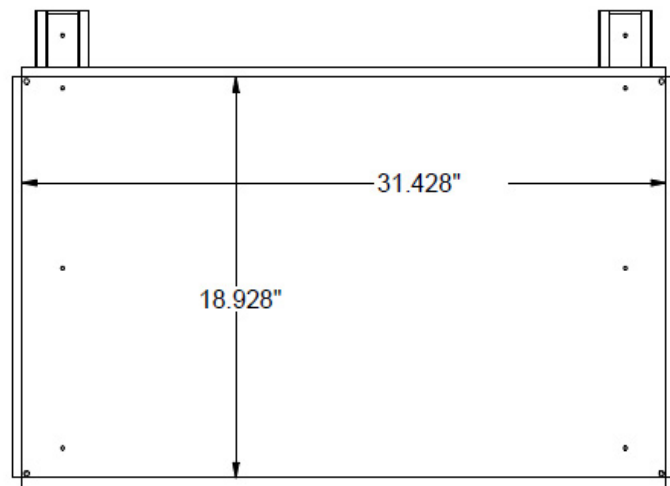
# Cabinet Accessories - Pullout Ice Chest

[\\*Return to Table of Contents](#)



| Product Description  |
|--|
| OSHxxPCHEST: Pullout Shelf with heavy duty glides designed for ice chests, can hold up to 222 lbs. |
| 27" and 24" Depth SKU  |
| OSH21PCHEST  |
| OSH24PCHEST  |
| OSH27PCHEST  |
| OSH30PCHEST  |
| OSH33PCHEST  |
| OSH36PCHEST  |
| OSH39PCHEST  |
| OSH42PCHEST  |
| OSH45PCHEST  |
| OSH48PCHEST  |

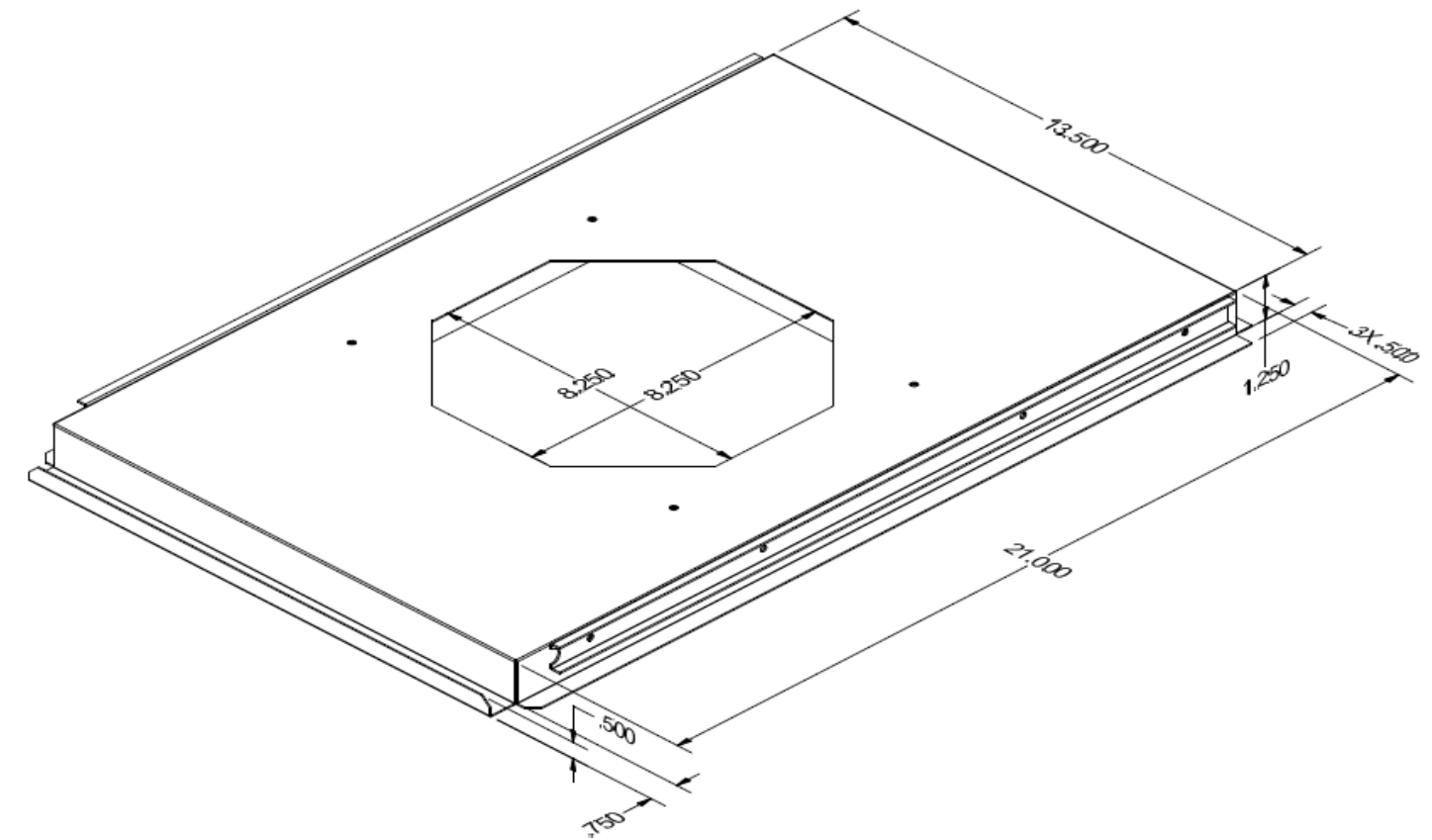
Ex. OSH36PCHEST, installs in 36"W cabinet



# Cabinet Accessories - Propane Pullout: OPPxx

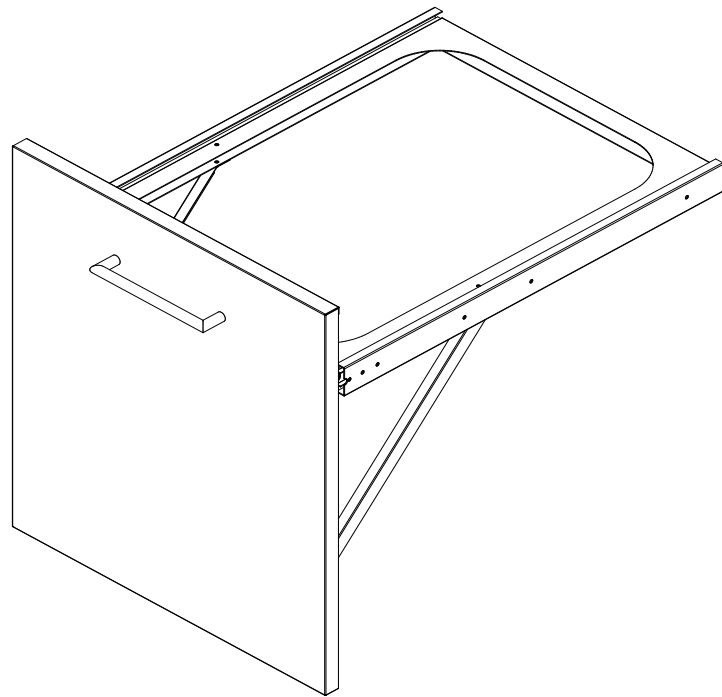
[\\*Return to Table of Contents](#)

| Product Description  |   |
|--|---|
| OPPxx: Propane pullout accessory<br>Designed to fit 18 - 30" wide OBB Side Burner cabinets and 33"-62"W OGB Grill Cabinets. <b>**CANNOT BE USED FOR LOW AND DEEP CABINETS!**</b> |   |
| SKU  | Description   |
| OPP16.5  | Propane Pullout for 1 side of 33" Grill Base            |
| OPP18  | Propane Pullout for 18" OBB or 36"/54" Grill Base       |
| OPP19.33   | Propane Pullout for 58" Grill cabinet                   |
| OPP20.67   | Propane Pullout for 62" Grill cabinet                   |
| OPP21  | Propane Pullout for 21" OBB or 1 side of 42" Grill Base |
| OPP22.5  | Propane Pullout for 1 side of 45" Grill Base            |
| OPP24  | Propane Pullout for 24" OBB or 1 side of 48" Grill Base |
| OPP27  | Propane Pullout for 27" OBB Side Burner Base            |
| OPP30  | Propane Pullout for 30" OBB Side Burner base            |

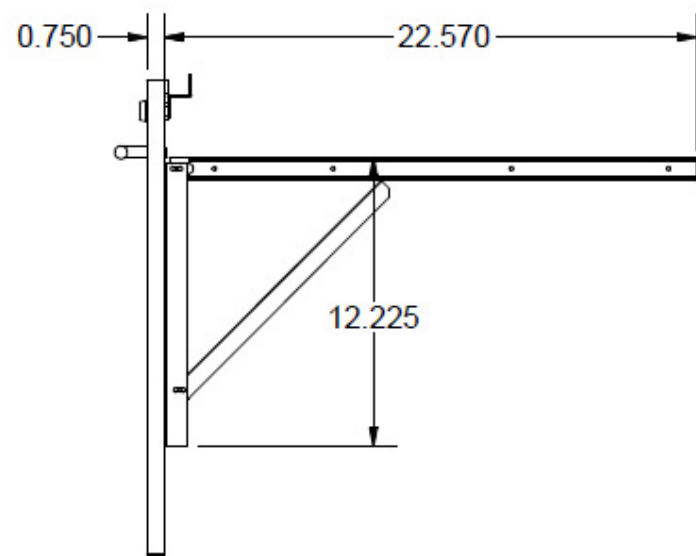


# Cabinet Accessories - Trash Pullout: OTP

[\\*Return to Table of Contents](#)



| Product Description  |   |
|--|---|
| OTPxx and OTPxxH11: 28 quart Trash pullout accessory. Designed to fit 15 - 24" wide OBF, OBD, OBB Side Burner cabinets and 33"W, 36"W, 42"W and 48"W Grill Cabinets. Can hold up to 111 lbs. |   |
| SKU  | Description   |
| OTP15  | Single Trash for 15" cabinet or 1 side of 30" Grill cabinet                 |
| OTP15H11   | Single Trash for 15" cabinet or 1 side of 30" Grill cabinet, for 11"H shelf |
| OTP16.5  | Single Trash for 1 side of 33" Grill cabinet                                |
| OTP16.5H11   | Single Trash for 1 side of 33" Grill cabinet, for 11"H shelf                |
| OTP18  | Double Trash for 18" cabinet or 36" Grill - side burner                     |
| OTP18H11   | Double Trash for 18" cabinet or 36" Grill - side burner, for 11"H shelf     |
| OTP19.33   | Double Trash for 58" Grill cabinet  |
| OTP19.33H11  | Double Trash for 58" Grill cabinet, for 11"H shelf                          |
| OTP 19.5   | Single Trash for 1 side of 39" Grill cabinet                                |
| OTP 19.5H11  | Single Trash for 1 side of 39" Grill cabinet, for 11"H shelf                |
| OTP20.67   | Double Trash for 62" Grill cabinet  |
| OTP20.67H11  | Double Trash for 62" Grill cabinet, for 11"H shelf                          |
| OTP21  | Double Trash for 21" cabinet or 1 side of 42" Grill cabinet                 |
| OTP21H11   | Double Trash for 21" cabinet or 1 side of 42" Grill cabinet, for 11"H shelf |
| OTP 22.5   | Single Trash for 1 side of 45" Grill cabinet                                |
| OTP 22.5H11  | Single Trash for 1 side of 45" Grill cabinet, for 11"H shelf                |
| OTP24  | Double Trash  |
| OTP24H11   | Double Trash, for 11"H shelf  |
| OTP27  | Double Trash  |
| OTP27H11   | Double Trash, for 11"H shelf  |
| OTP30  | Double Trash  |
| OTP30H11   | Double Trash, for 11"H shelf  |
| OTP33  | Double Trash  |
| OTP33H11   | Double Trash, for 11"H shelf  |



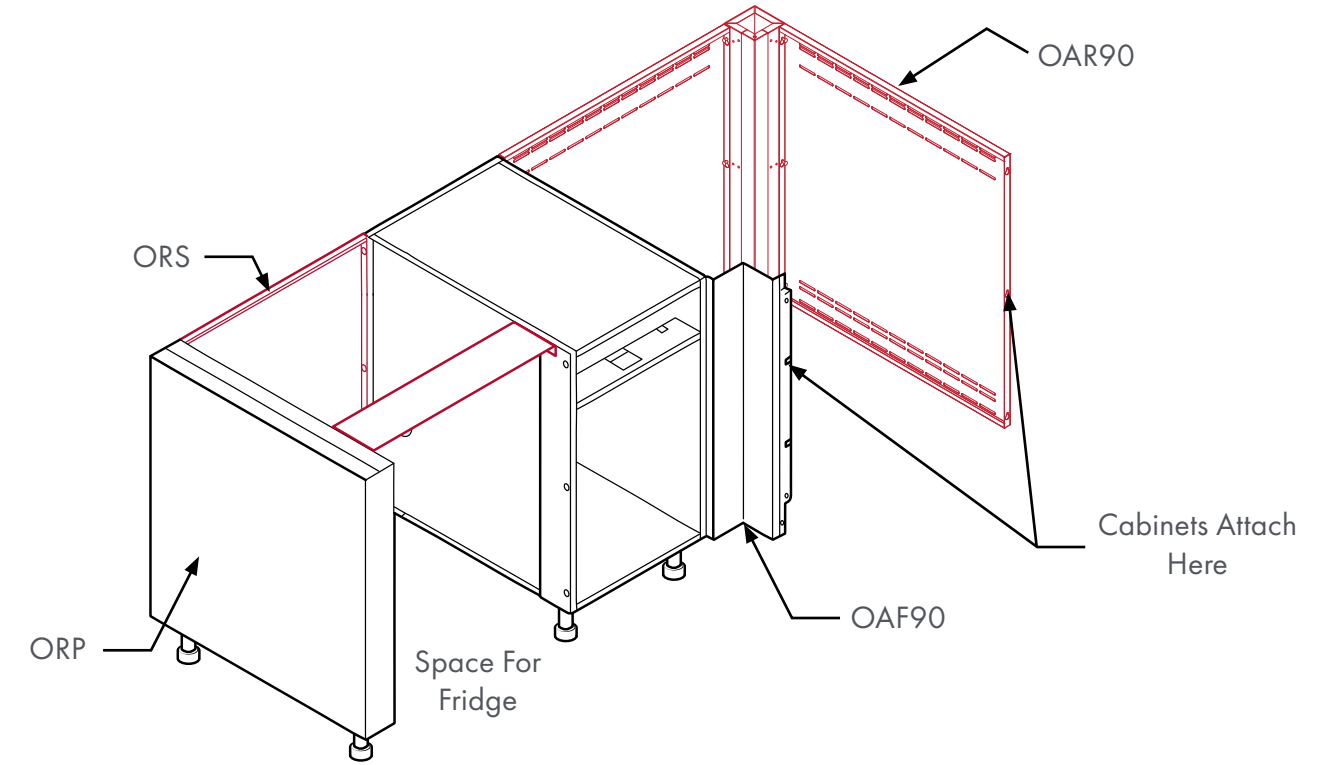
Note: optional lock shown at top on trash pullout image.

# Cabinet Accessories - Undercounter Appliance Parts

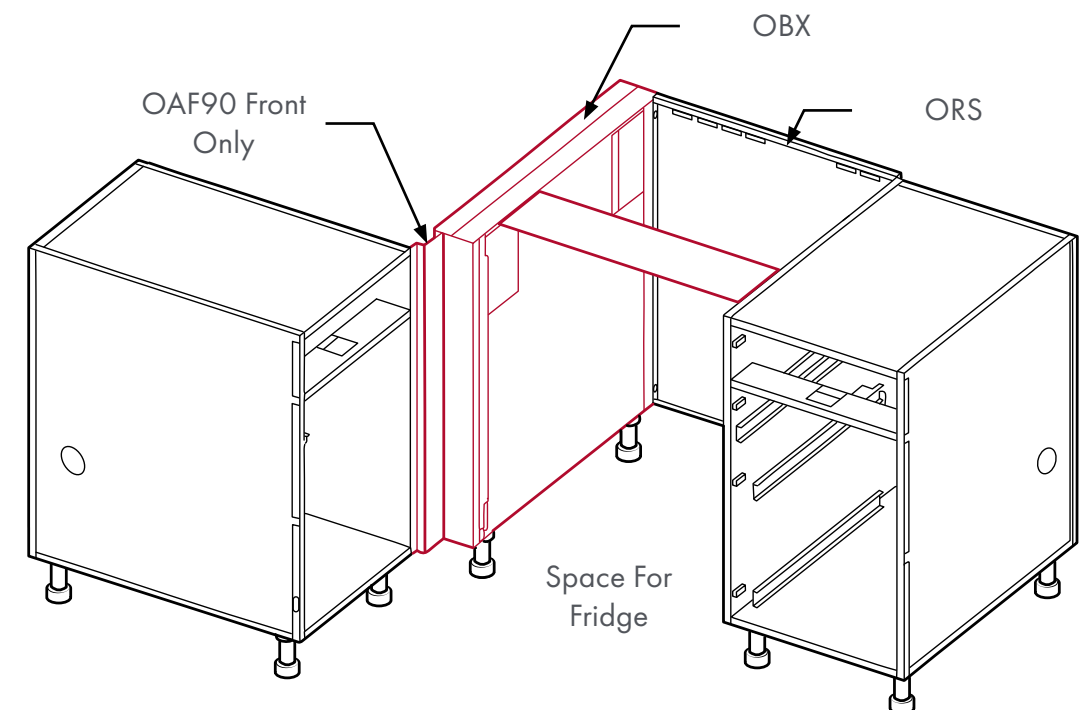
[\\*Return to Table of Contents](#)

We offer a variety of different options for designing corners, void spaces, and undercounter appliance areas.

See example below for how to fill a corner void to place refrigerator at end of run.



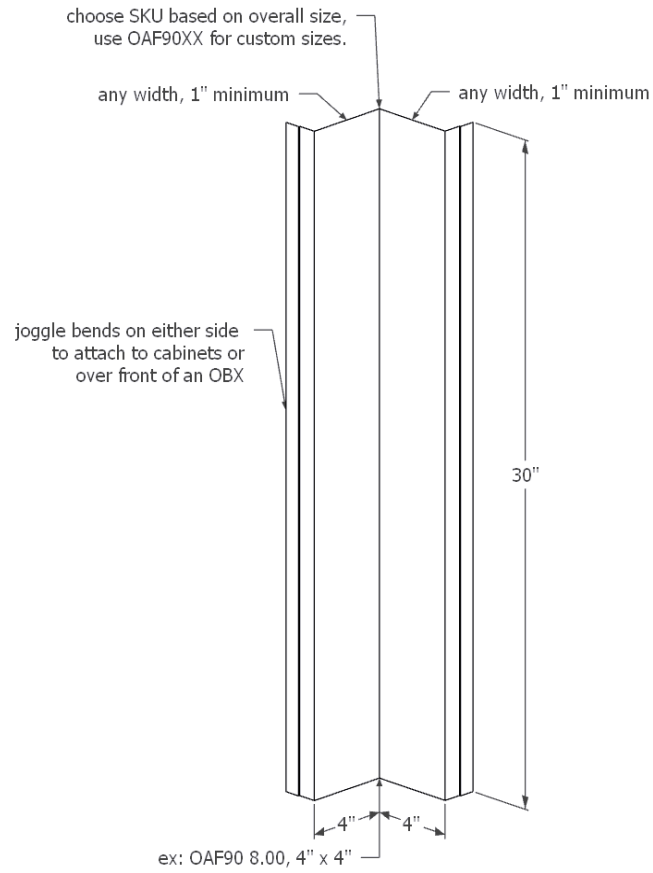
Example of how to place refrigerator next to corner.



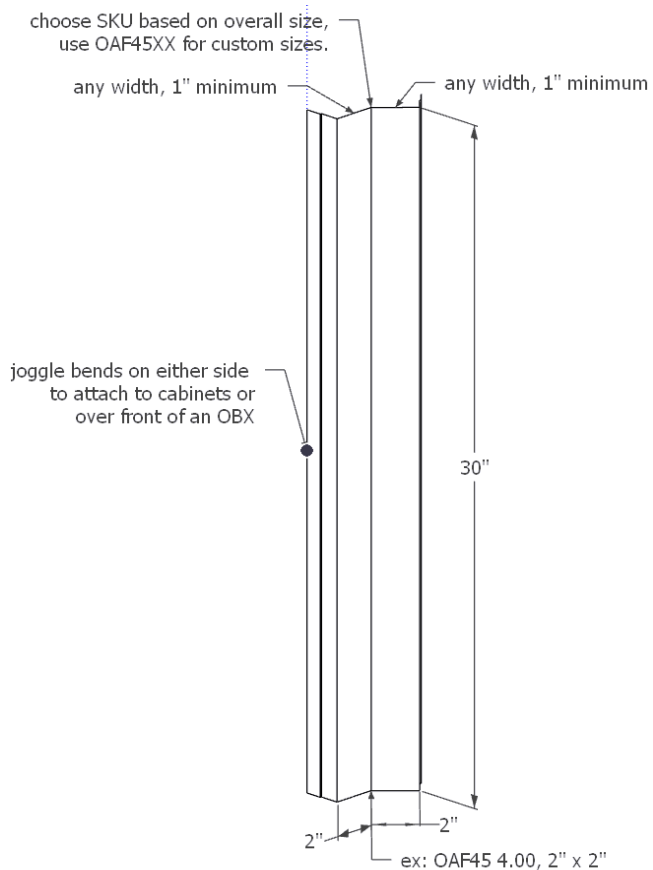


# Cabinet Accessories - Front Corner Fillers: OAF90/45xx

[\\*Return to Table of Contents](#)



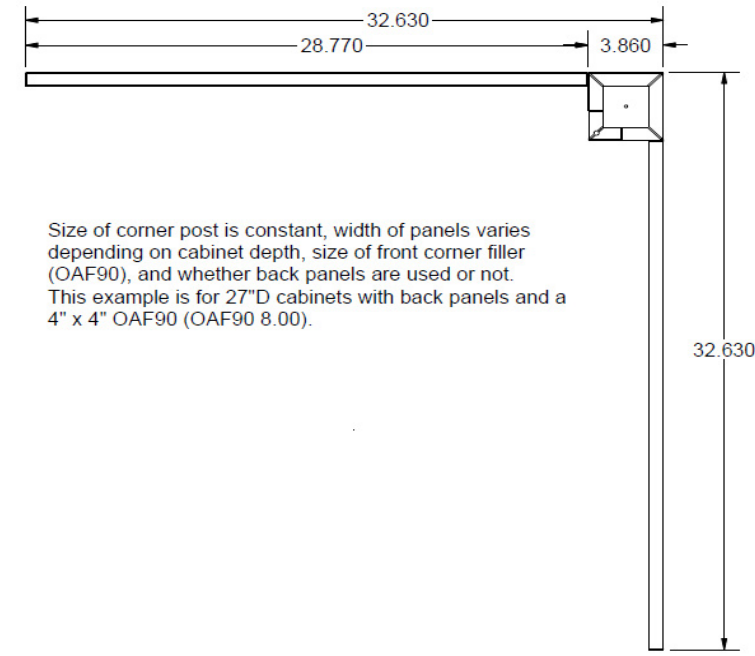
| Product Description  |
|--|
| OAF90: 90 degree front base corner filler, sits flush with door/drawer faces, attaches to two base cabinets, OBX columns, or a combination of the two depending on your design. SKUs are designated by overall filler width, specify each side of bend. 2"W overall minimum (1" minimum on either side of bend), available in 1/8" increments as needed. |
| Note: If an OBX is used at corner for creating an undercounter appliance space, the OAF90 will attach over the OBX (see Sample Layouts sheet at the beginning of this section).  |
| Example: OAF90 8.00, 4" x 4"   |
| Example: OAF90 9.50, 3.5" x 6"   |
| SKU  |
| OAF90XX  |



| Product Description  |
|--|
| OAF45: 45 degree front base corner filler, sits flush with door/drawer faces, attaches to two base cabinets, OBX columns, or a combination of the two depending on your design. SKUs are designated by overall filler width, specify each side of bend. 2"W overall minimum (1" minimum on either side of bend), available in 1/8" increments as needed. |
| Note: If an OBX is used at corner for creating an undercounter appliance space, the OAF45 will attach over the OBX (see Sample Layouts sheet at the beginning of this section).  |
| Example: OAF45 4.00, 2" x 2"   |
| Example: OAF45 7.25, 4.125" x 3.125"   |
| SKU  |
| OAF45XX  |

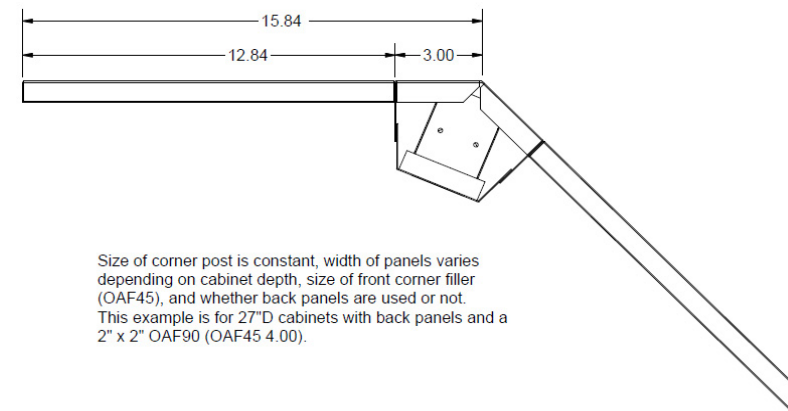
# Cabinet Accessories - Corner Void Support System: OAR90xx

[\\*Return to Table of Contents](#)



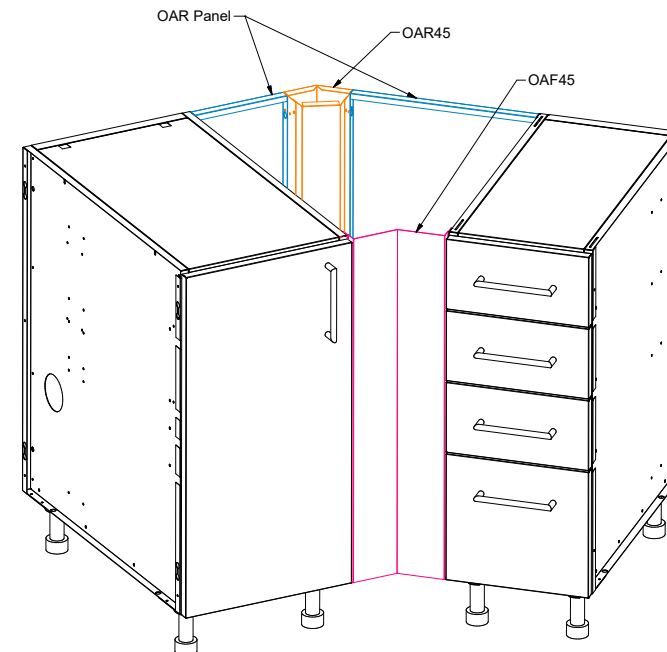
Size of corner post is constant, width of panels varies depending on cabinet depth, size of front corner filler (OAF90), and whether back panels are used or not. This example is for 27"D cabinets with back panels and a 4" x 4" OAF90 (OAF90 8.00).

| Product Description  |   |
|--|---|
| OAR90: Rear corner support column with two back panels to attach in void where OAF90 front base corner filler is used. Post size is constant, panel sizes are based on front base corner filler size (OAF90). Single adjustable leg on column to match those on cabinetry, can be upgraded to SSLEG. |   |
| 27" Depth SKU  | Description   |
| OAR90XX NO VENT  | Solid Panels  |
| OAR90XX VENT   | Vented Panels   |
| OAR90XX EQUAL BP VENT  | galvanized and vented panels, for use with Equal Back Panels and Extended Back Panels |



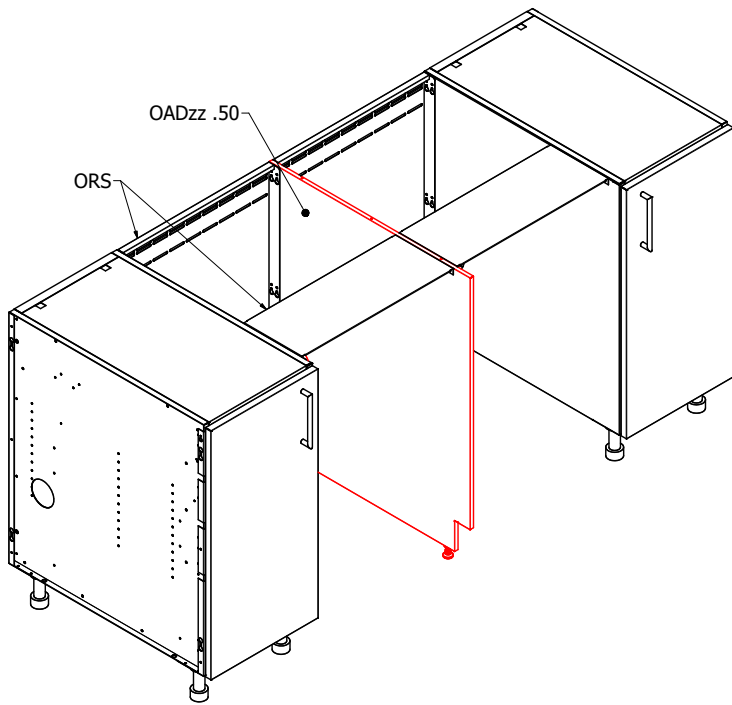
Size of corner post is constant, width of panels varies depending on cabinet depth, size of front corner filler (OAF45), and whether back panels are used or not. This example is for 27"D cabinets with back panels and a 2" x 2" OAF90 (OAF45 4.00).

| Product Description  |   |
|--|---|
| OAR45: Rear corner support column with two back panels to attach in void where OAF45 front base corner filler is used. Post size is constant, panel sizes are based on front base corner filler size (OAF45). Single adjustable leg on column to match those on cabinetry, can be upgraded to SSLEG. |   |
| 27" Depth SKU  | Description   |
| OAR45XX NO VENT  | Solid Panels  |
| OAR45XX VENT   | Vented Panels   |
| OAR45XX EQUAL BP VENT  | Galvanized and vented panels, for use with Equal Back Panels and Extended Back Panels |

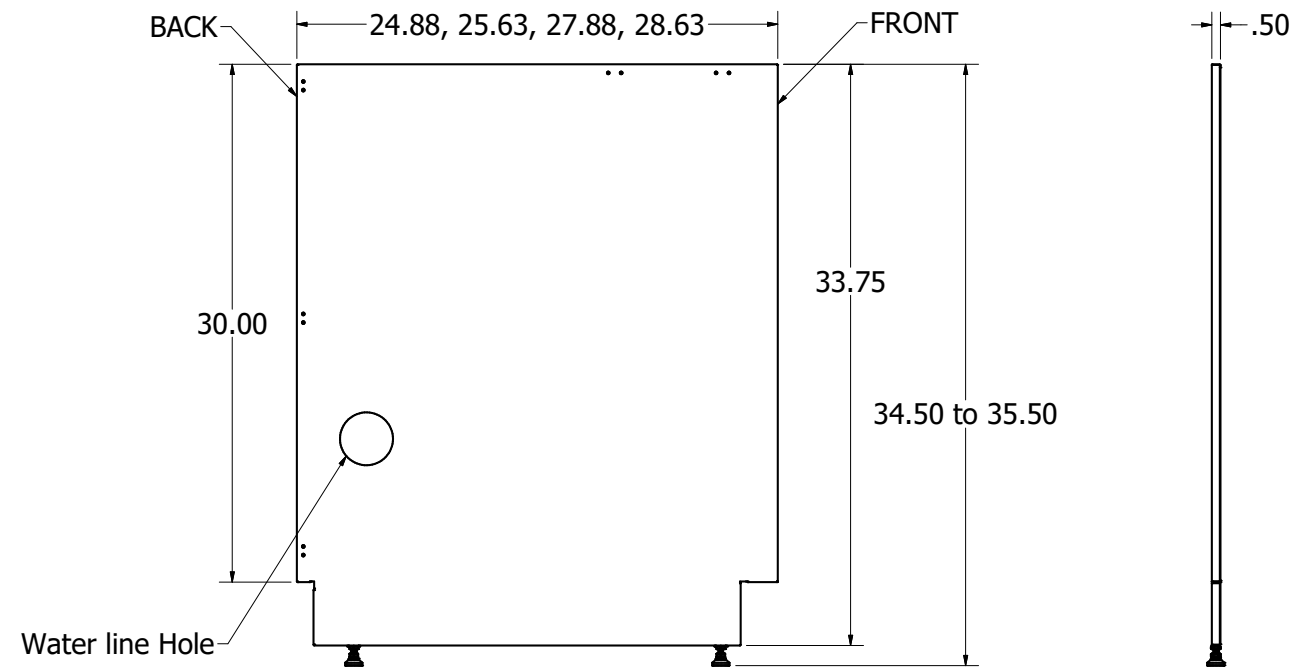


# Cabinet Accessories - OADzz .50 Outdoor Appliance Divider

[\\*Return to Table of Contents](#)



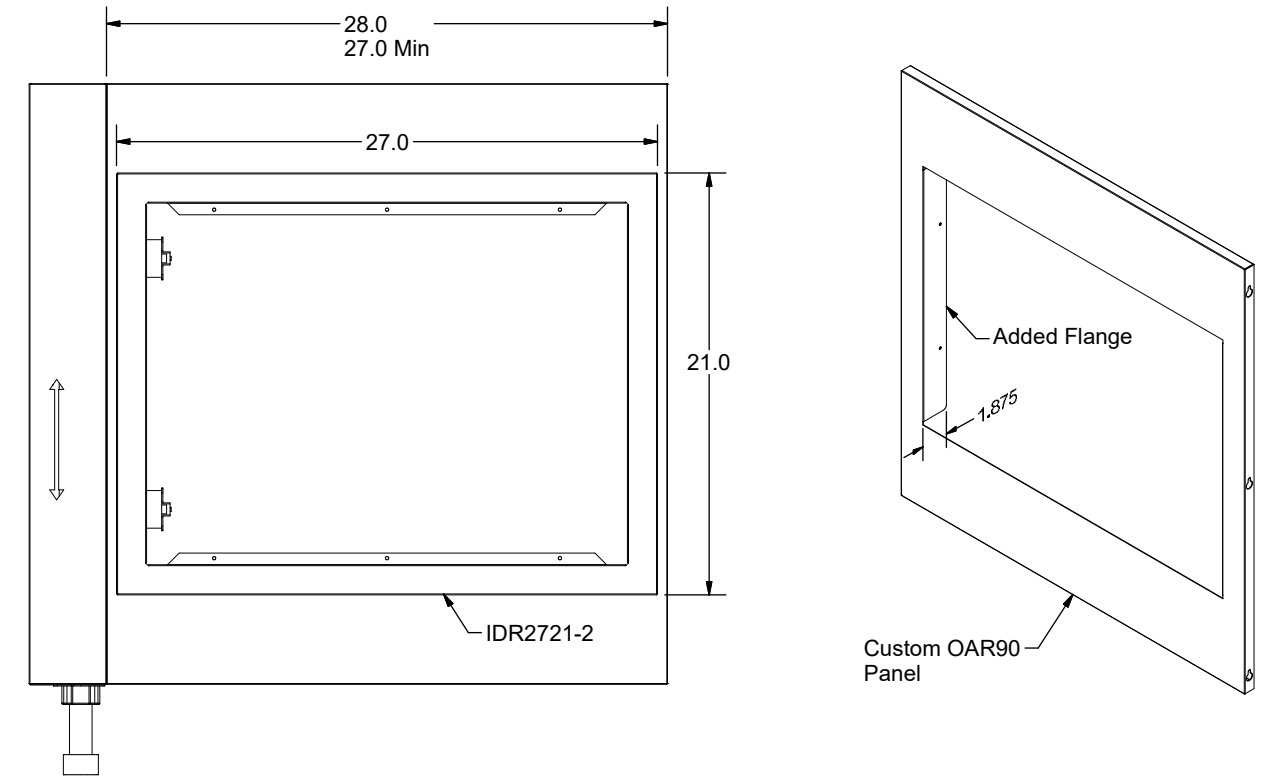
| Product Description   |  |
|---|--|
| <p>OADzz .50: Appliance divider with notched toe. Adjustable between 34.5-35.5"H. Use in conjunction with ORS refrigerator spacers with a limit of two dividers in between cabinets. Countertop supplier to determine if additional countertop support is needed.</p> <p>Does not function as countertop support. Limit of two dividers between cabinets.</p> |  |
| 27" Depth SKU   | Description  |
| OAD24.88 .50  | .5"W Appliance divider, 24.88"D to fill between undercounter appliances. |
| OAD25.63 .50  | .5"W Appliance divider, 25.63"D to fill between undercounter appliances. |
| OAD27.88 .50  | .5"W Appliance divider, 27.88"D to fill between undercounter appliances. |
| OAD28.63 .50  | .5"W Appliance divider, 28.63"D to fill between undercounter appliances. |



# Cabinet Accessories - OAR90XX Insert No Vent/Vent Access

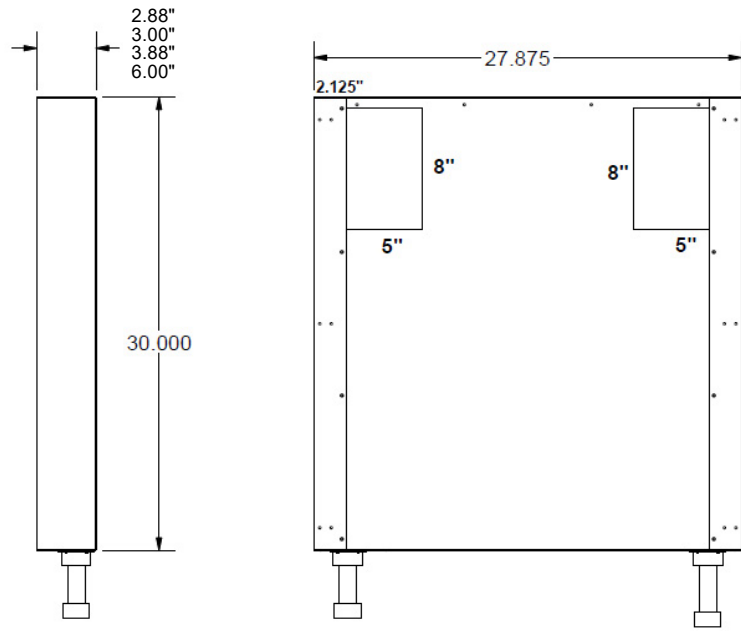
[\\*Return to Table of Contents](#)

| Product Description  |                                       |
|--|---------------------------------------|
| <p>OAR90xx Insert No Vent (or Vent) Access: Rear corner support column with 2 non-vented back panels to attach in void where OAF front corner filler is used. One of the back panels (specify which side in notes and on drawing) comes with an insert (IDR2721-2, 27"W x 21"H Frame, Two Flush Access Doors) installed into it for access into corner. <b>*NOTE: Insert ALWAYS comes with a slab style door. If panel size is too small for that insert, the next largest insert will be used.*</b></p> |                                       |
| 27" Depth SKU  | Description                           |
| OAR90XX INSERT NO VENT ACCESS  | Solid Panels, IDR2721-2 in one panel  |
| OAR90XX INSERT VENT ACCESS   | Vented Panels, IDR2721-2 in one panel |



# Cabinet Accessories - Middle Box Columns: OBXzz.zz x.xx

[\\*Return to Table of Contents](#)

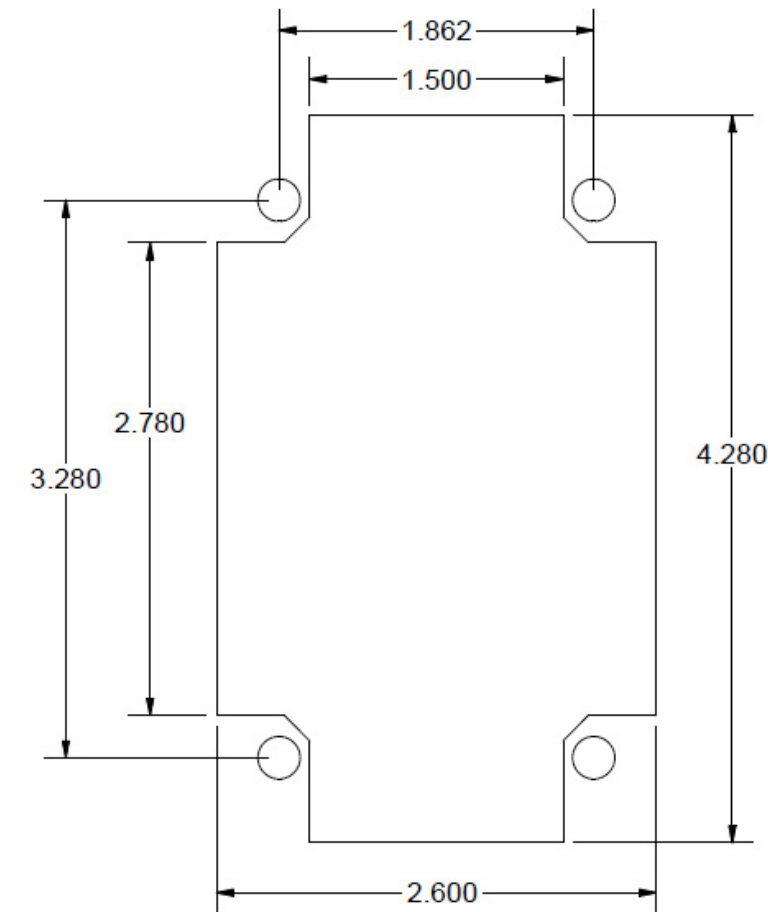
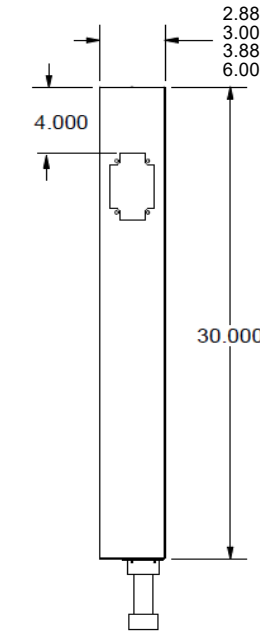


Note: OBX has rectangular cutouts on one side, finished on front and back only.

| Product Description   |       |       |
|---|-------|-------|
| OBXzz.zz x.xx: Column for countertop support for the middle of a run with an undercounter appliance. Attaches to a cabinet or another column via an ORS panel. Comes in two standard widths and four standard depths to match cabinets with or without back panels. Comes with two adjustable legs to match those on cabinetry.<br>Example SKU: OBX27.88 2.88<br>A tapered SSLEG can only be used with 3.88\" widths. |       |       |
| SKU   |       |       |
| Prefix  | Depth | Width |
| OBX   | 24.88 | 2.88  |
| OBX   | 24.88 | 3.00  |
| OBX   | 24.88 | 3.88  |
| OBX   | 24.88 | 6.00  |
| OBX   | 25.63 | 2.88  |
| OBX   | 25.63 | 3.00  |
| OBX   | 25.63 | 3.88  |
| OBX   | 25.63 | 6.00  |
| OBX   | 27.88 | 2.88  |
| OBX   | 27.88 | 3.00  |
| OBX   | 27.88 | 3.88  |
| OBX   | 28.63 | 2.88  |
| OBX   | 28.63 | 3.00  |
| OBX   | 28.63 | 3.88  |
| OBX   | 29.88 | 2.88  |
| OBX   | 29.88 | 3.88  |
| OBX   | 29.88 | 6.00  |
| OBX   | 30.63 | 2.88  |
| OBX   | 30.63 | 3.88  |
| OBX   | 30.63 | 6.00  |
| OBX   | 30.93 | 2.88  |

# Cabinet Accessories - ORP with electrical cutout

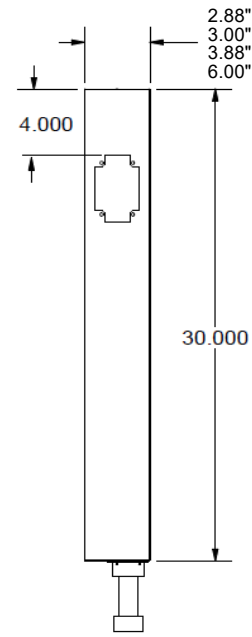
[\\*Return to Table of Contents](#)



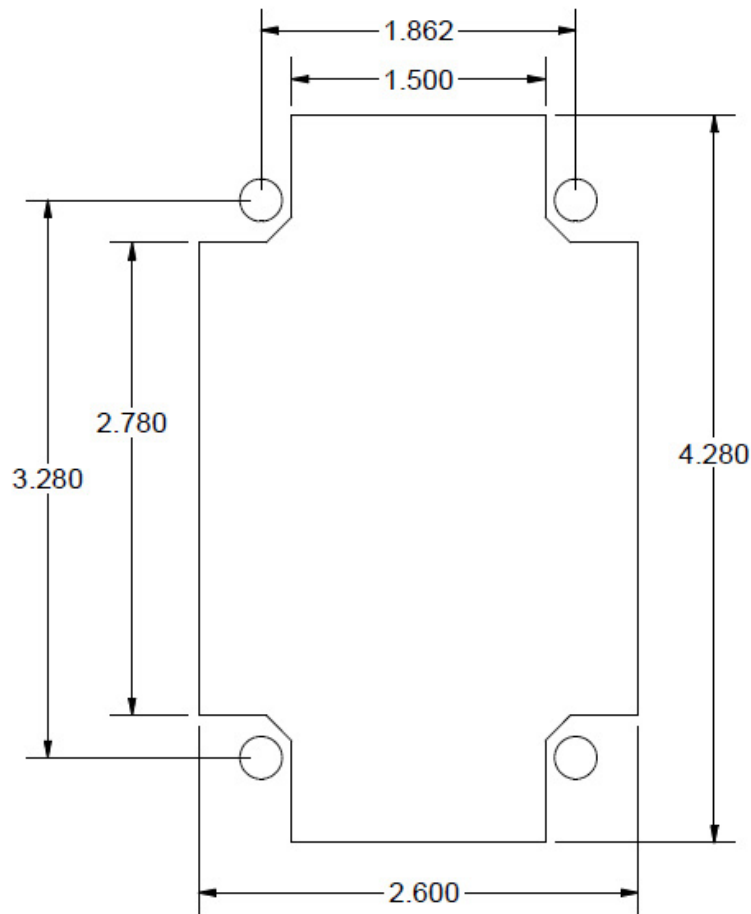
| Product Description  |       |            |
|--|-------|------------|
| ORPzz.zz x.xx(L or R) ELEC:<br>Same as standard ORP, but with a standard GFCI electrical cutout located 4\" down from the top of the column and centered on front. Left and Right SKUs as cutout negates reversibility.<br>*GFCI Outlet Box not provided.<br>Example SKU: ORP27.88 3.88 ELEC |       |            |
| SKU  |       |            |
| Prefix   | Depth | Width/Side |
| ORP  | 24.88 | 3.88L ELEC |
| ORP  | 24.88 | 3.88R ELEC |
| ORP  | 24.88 | 6.00L ELEC |
| ORP  | 24.88 | 6.00R ELEC |
| ORP  | 25.63 | 3.88L ELEC |
| ORP  | 25.63 | 3.88R ELEC |
| ORP  | 25.63 | 6.00L ELEC |
| ORP  | 25.63 | 6.00R ELEC |
| ORP  | 27.88 | 3.88L ELEC |
| ORP  | 27.88 | 3.88R ELEC |
| ORP  | 27.88 | 6.00L ELEC |
| ORP  | 27.88 | 6.00R ELEC |
| ORP  | 28.63 | 3.88L ELEC |
| ORP  | 28.63 | 3.88R ELEC |
| ORP  | 28.63 | 6.00L ELEC |
| ORP  | 28.63 | 6.00R ELEC |
| ORP  | 29.88 | 3.88L ELEC |
| ORP  | 29.88 | 3.88R ELEC |
| ORP  | 29.88 | 6.00L ELEC |
| ORP  | 29.88 | 6.00R ELEC |
| ORP  | 30.63 | 3.88L ELEC |
| ORP  | 30.63 | 3.88R ELEC |
| ORP  | 35.88 | 3.88L ELEC |
| ORP  | 35.88 | 3.88R ELEC |
| ORP  | 35.88 | 6.00L ELEC |
| ORP  | 35.88 | 6.00R ELEC |
| ORP  | 36.63 | 3.88L ELEC |
| ORP  | 36.63 | 3.88R ELEC |
| ORP  | 36.63 | 6.00L ELEC |
| ORP  | 36.63 | 6.00R ELEC |

# Cabinet Accessories - OBX with electrical cutout

[\\*Return to Table of Contents](#)

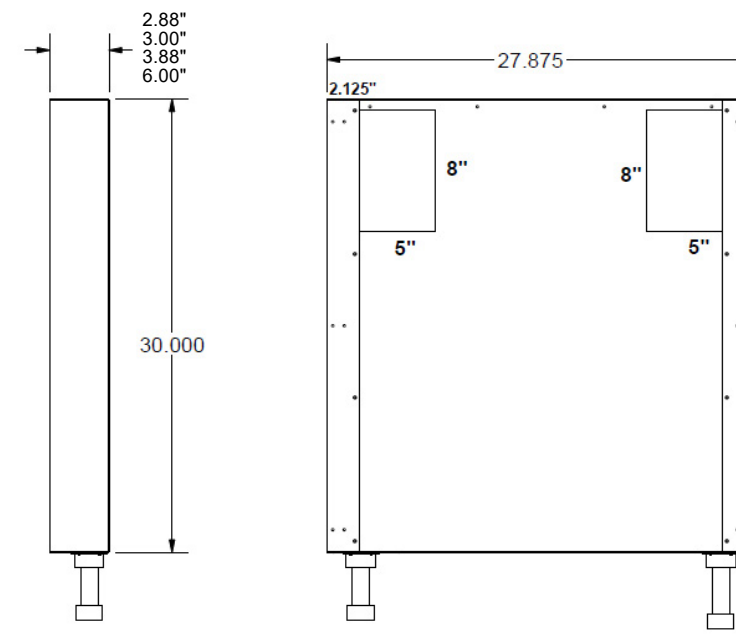


| Product Description  |       |           |
|--|-------|-----------|
| OBXzz.zz x.xx ELEC:  |       |           |
| Same as standard OBX, but with a standard GFCI electrical cutout located 4" down from the top of the column and centered on front. |       |           |
| *GFCI Outlet Box not provided.   |       |           |
| Example SKU: OBX27.88 3.88 ELEC  |       |           |
| SKU  |       |           |
| Prefix   | Depth | Width     |
| OBX  | 24.88 | 3.88 ELEC |
| OBX  | 24.88 | 6.00 ELEC |
| OBX  | 25.63 | 3.88 ELEC |
| OBX  | 25.63 | 6.00 ELEC |
| OBX  | 27.88 | 3.88 ELEC |
| OBX  | 27.88 | 6.00 ELEC |
| OBX  | 28.63 | 3.88 ELEC |
| OBX  | 28.63 | 6.00 ELEC |
| OBX  | 29.88 | 3.88 ELEC |
| OBX  | 30.63 | 3.88 ELEC |



# Cabinet Accessories - End Support Columns: ORPzz.zz x.xx

[\\*Return to Table of Contents](#)

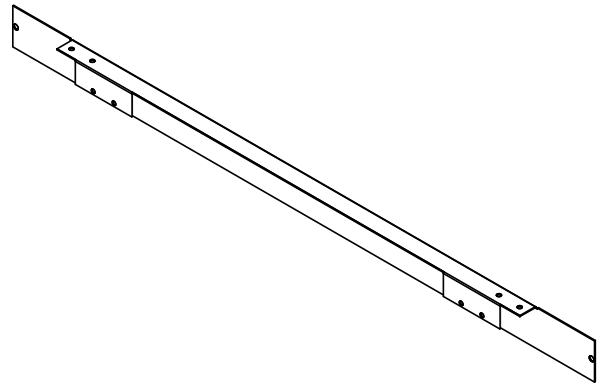


Note: ORP has rectangular cutouts on one side and is finished on front, back, and one side. Reversible for application on either end of a run.

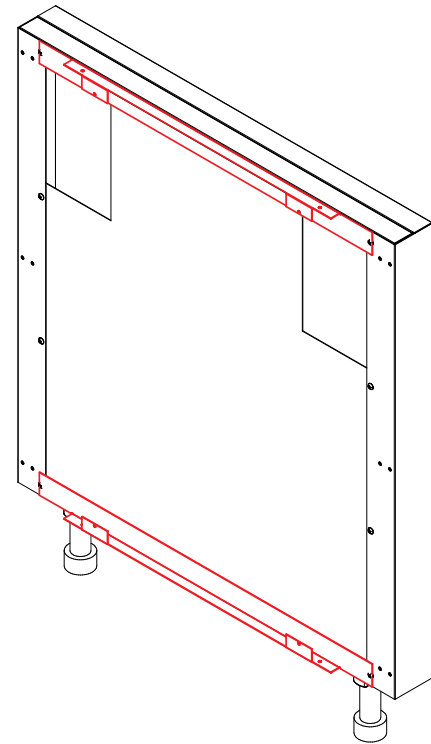
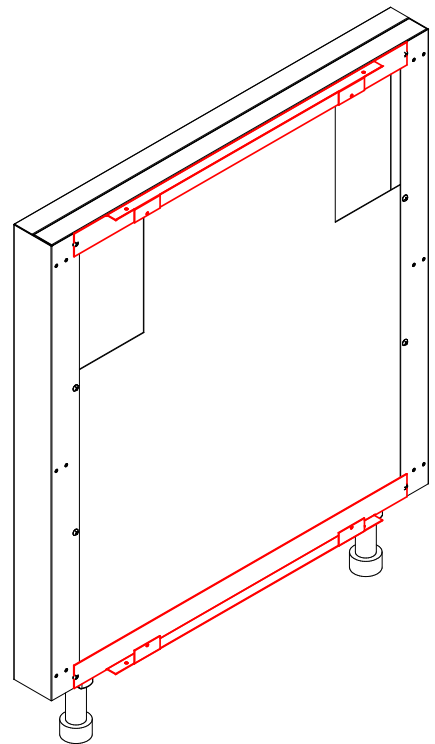
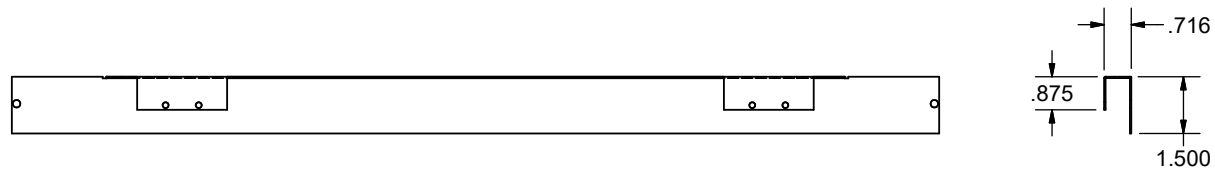
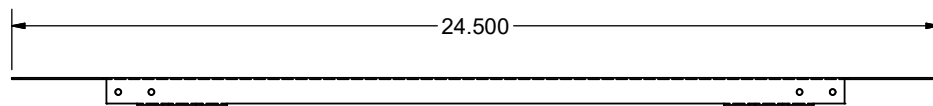
| Product Description  |       |       |
|--|-------|-------|
| ORPzz.zz x.xx: Column for countertop support with one finished side for ending a run with an undercounter appliance. Attaches to a cabinet or another column via an ORS panel. Comes in two standard widths and four standard depths to match cabinets with or without back panels. Can be upgraded to match door styles on finished side. Comes with two adjustable legs to match those on cabinetry. |       |       |
| Example SKU: ORP27.88 2.88   |       |       |
| A tapered SSLEG can only be used with 3.88" widths.  |       |       |
| SKU  |       |       |
| Prefix   | Depth | Width |
| ORP  | 24.88 | 2.88  |
| ORP  | 24.88 | 3.00  |
| ORP  | 24.88 | 3.88  |
| ORP  | 24.88 | 6.00  |
| ORP  | 25.63 | 2.88  |
| ORP  | 25.63 | 3.00  |
| ORP  | 25.63 | 3.88  |
| ORP  | 25.63 | 6.00  |
| ORP  | 27.88 | 2.88  |
| ORP  | 27.88 | 3.00  |
| ORP  | 27.88 | 3.88  |
| ORP  | 27.88 | 6.00  |
| ORP  | 28.63 | 2.88  |
| ORP  | 28.63 | 3.00  |
| ORP  | 28.63 | 3.88  |
| ORP  | 29.88 | 2.88  |
| ORP  | 29.88 | 3.88  |
| ORP  | 29.88 | 6.00  |
| ORP  | 30.63 | 2.88  |
| ORP  | 30.63 | 3.88  |
| ORP  | 30.63 | 6.00  |
| ORP  | 30.93 | 2.88  |
| ORP  | 35.88 | 2.88  |
| ORP  | 35.88 | 3.88  |
| ORP  | 35.88 | 6.00  |
| ORP  | 36.63 | 2.88  |
| ORP  | 36.63 | 3.88  |
| ORP  | 36.63 | 6.00  |

# Cabinet Accessories - ORP Cabinet Connector xx

[\\*Return to Table of Contents](#)

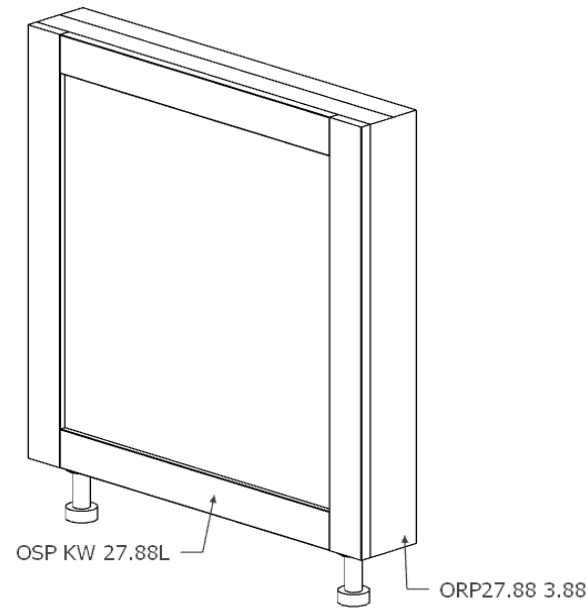


| Product Description  |       |
|--|-------|
| ORP Cabinet Connector: Bracket to connect an ORP or OBX countertop support column to adjacent cabinet at end of a run. |       |
| SKU  |       |
| Prefix   | Depth |
| ORP Cabinet Connector  | 24.88 |
| ORP Cabinet Connector  | 25.63 |
| ORP Cabinet Connector  | 27.88 |
| ORP Cabinet Connector  | 28.63 |

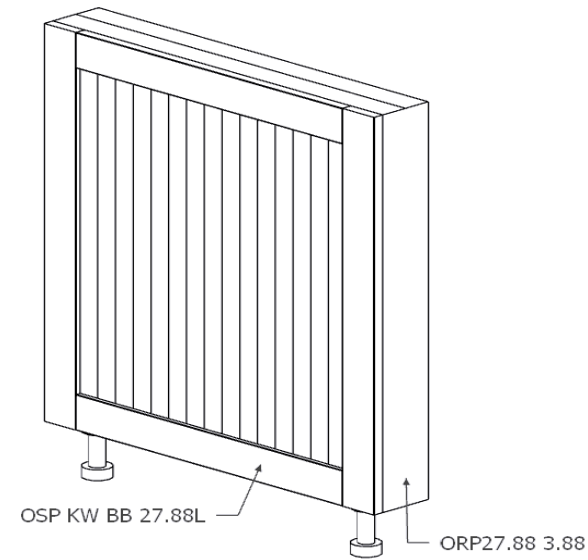


# Cabinet Accessories - ORP Decorative Side Panels: OSP xx yy

[\\*Return to Table of Contents](#)



ORP with Key West Panel side panel



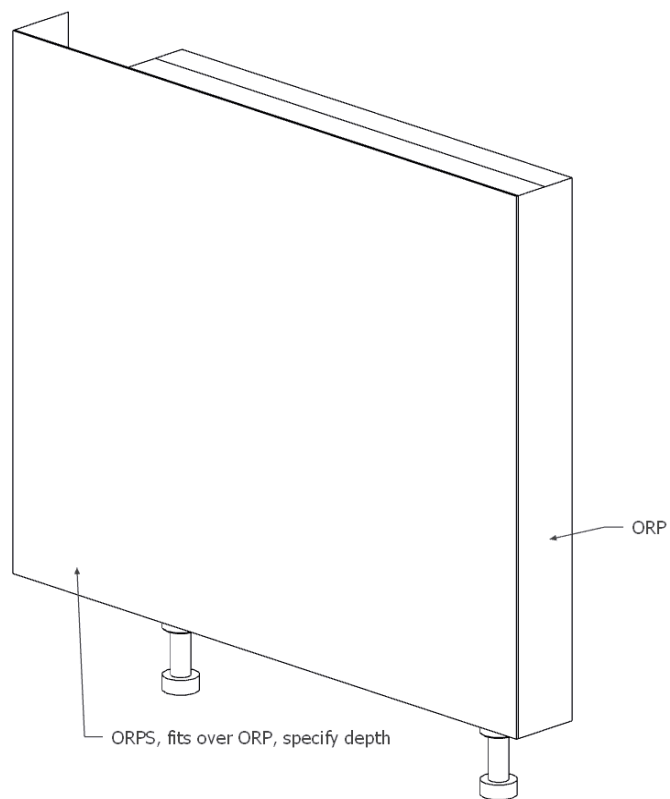
ORP with Key West Beadboard side panel

| Product Description   |       |                            |
|---|-------|----------------------------|
| OSP: Decorative side panels to match door styles are available for installation on ORP columns. These are also able to be installed on the side of cabinets to finish them. |       |                            |
| KW: Key West Panel  |       |                            |
| KW SG: Key West Seaglass Center   |       |                            |
| KW BB: Key West Beadboard   |       |                            |
| KW LV: Key West Louvered  |       |                            |
| VN: Venice  |       |                            |
| PB: Palm Beach Panel  |       |                            |
| Example SKU: OSP KW BB 27.88  |       |                            |
| SKU   |       |                            |
| Prefix  | Style | Widths                     |
| OSP   | KW    | 24.88, 25.63, 27.88, 28.63 |
| OSP   | KW SG | 24.88, 25.63, 27.88, 28.63 |
| OSP   | KW BB | 24.88, 25.63, 27.88, 28.63 |
| OSP   | KW LV | 24.88, 25.63, 27.88, 28.63 |
| OSP   | VN    | 24.88, 25.63, 27.88, 28.63 |
| OSP   | PB    | 24.88, 25.63, 27.88, 28.63 |

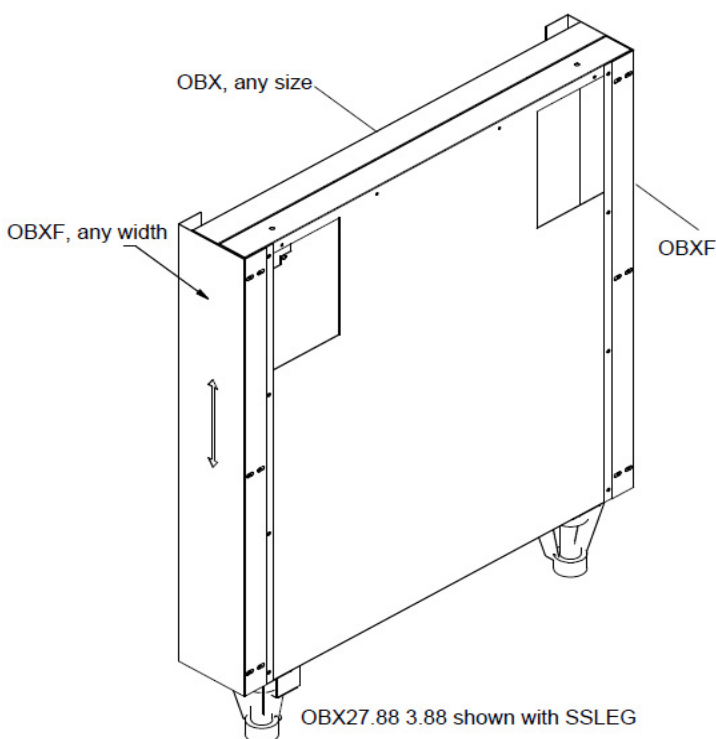
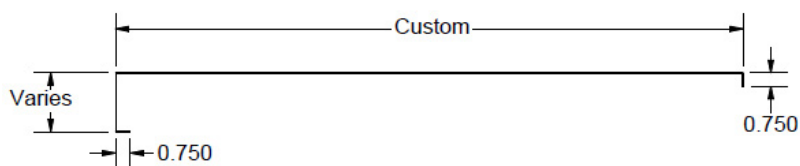
# Cabinet Accessories - ORP Depth Skin: ORPS

## OBX Width Skin: OBXF

[\\*Return to Table of Contents](#)



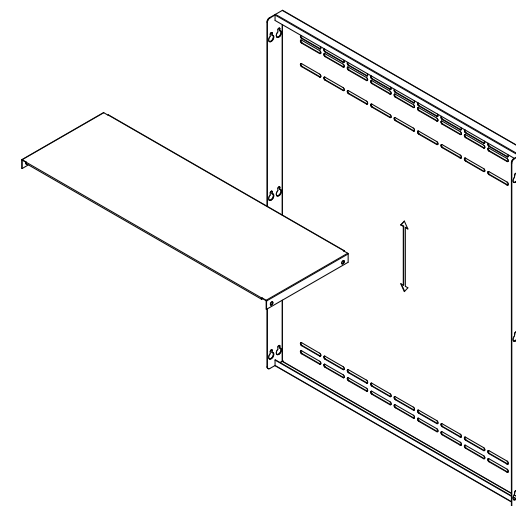
| Product Description  |   |
|--|---|
| ORPS: Left/Right skin that connects over an ORP to increase depth.<br><b>NOTE: Custom sizes created as needed. List width of ORP that the skin is attaching to followed by the depth increase.</b><br><b>Example: ORPS27.88 2.88 (=ORP width) 3.00 (=depth increase)</b> |   |
| 27" Depth SKU  | Description   |
| ORPSXX XX XXL  | Custom Left skin to connect to increase depth of ORP (first two dimensions are ORP depth and width).  |
| ORPSXX XX XXR  | CUSTOM Right skin to connect to increase depth of ORP (first two dimensions are ORP depth and width). |



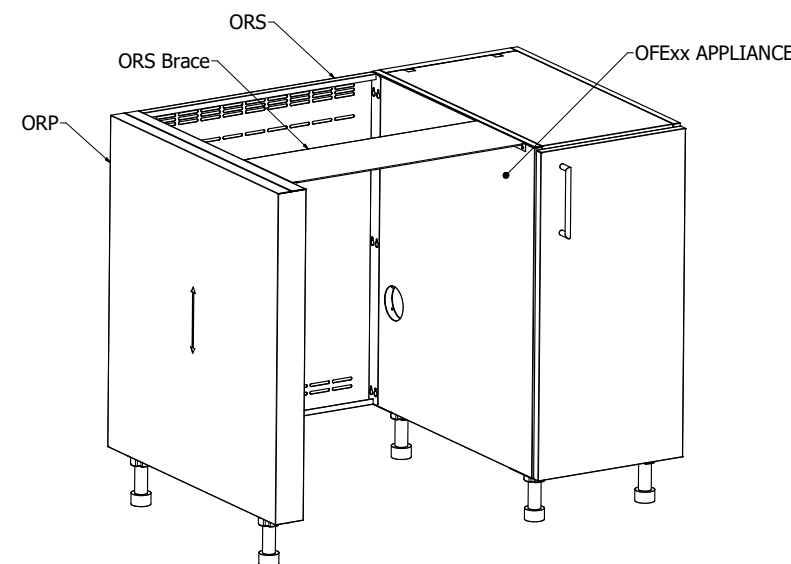
| Product Description   |                   |
|---|-------------------|
| OBXF: Skins that connect over the front and back of an OBX to increase width. Order 2 if a filler is needed for both the front and back of the OBX.<br><b>NOTE: Available in any width in 1/8" increments. Some SKUs already programmed, see table below. Use OBXF XX for custom sizes as needed.</b> |                   |
| 27" Depth SKU   | Description       |
| OBXF 3.00   | 3.00"W Skin       |
| OBXF 3.50   | 3.50"W Skin       |
| OBXF 3.88   | 3.88"W Skin       |
| OBXF 4.75   | 4.75"W Skin       |
| OBXF 5.25   | 5.25"W Skin       |
| OBXF 5.38   | 5.38"W Skin       |
| OBXF 5.63   | 5.63"W Skin       |
| OBXF 5.88   | 5.88"W Skin       |
| OBXF 6.00   | 6.00"W Skin       |
| OBXF 6.25   | 6.25"W Skin       |
| OBXF 7.25   | 7.25"W Skin       |
| OBXF 8.00   | 8.00"W Skin       |
| OBXF XX   | Custom Width Skin |

# Cabinet Accessories - Undercounter Appliance Spacers: ORS

[\\*Return to Table of Contents](#)



**EXAMPLE:**  
ORS24.25 used as a spacer, creating an opening for an appliance, attached between a cabinet and an ORP column.



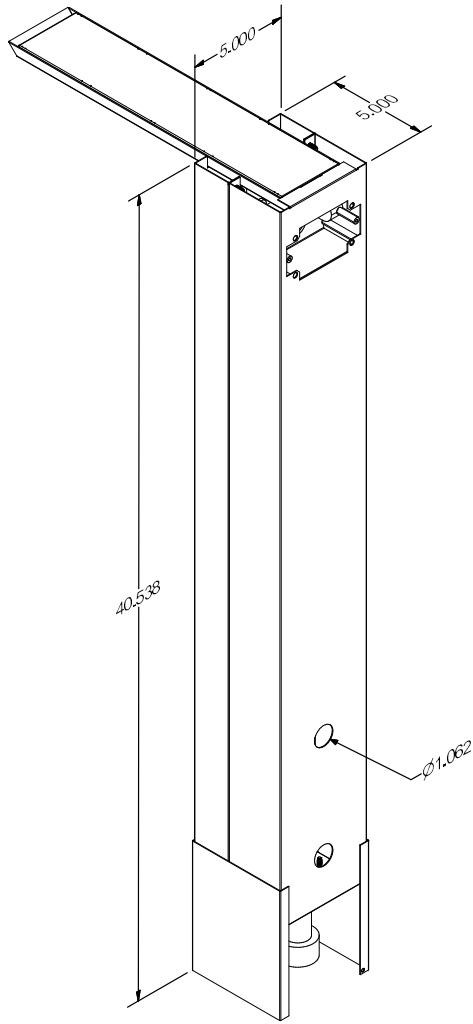
ORS Brace ships with the ORS. OFE Appliance panel(s) must be ordered to install the brace. If OFE Appliance panel(s) is not ordered the brace can be discarded, but the customer must secure the ORP.

| Product Description   |                |
|---|----------------|
| ORSxx: Rear vented spacer panel used to "lock-in" exact size opening for undercounter appliances. Used as a back panel for undercounter appliance space when needed.<br>Available in 1/8" increments, custom widths available, contact Sales for information. Brace is 8" deep and matches width of spacer.<br>Non-Vented versions of all sizes are available.<br>Attaches between two cabinets, two ORP or OBX columns, or a cabinet and ORP or OBX. |                |
| Vented SKU  | Non-Vented SKU |
| ORS15   | ORS15 NV       |
| ORS15.25  | ORS15.25 NV    |
| ORS15.50  | ORS15.50 NV    |
| ORS18   | ORS18 NV       |
| ORS18.25  | ORS18.25 NV    |
| ORS20.25  | ORS20.25 NV    |
| ORS20.50  | ORS20.50 NV    |
| ORS20.75  | ORS20.75 NV    |
| ORS21   | ORS21 NV       |
| ORS21.25  | ORS21.25 NV    |
| ORS21.75  | ORS21.75 NV    |
| ORS22   | ORS22 NV       |
| ORS22.25  | ORS22.25 NV    |
| ORS23   | ORS23 NV       |
| ORS23.75  | ORS23.75 NV    |
| ORS24   | ORS24 NV       |
| ORS24.25  | ORS24.25 NV    |
| ORS24.50  | ORS24.50 NV    |
| ORS24.75  | ORS24.75 NV    |
| ORS26.25  | ORS26.25 NV    |
| ORS27.25  | ORS27.25 NV    |
| ORS28.25  | ORS28.25 NV    |
| ORS28.50  | ORS28.50 NV    |
| ORS29   | ORS29 NV       |
| ORS30   | ORS30 NV       |
| ORS30.25  | ORS30.25 NV    |
| ORS30.75  | ORS30.75 NV    |
| ORS31.50  | ORS31.50 NV    |
| ORS33   | ORS33 NV       |
| ORS36   | ORS36 NV       |
| ORS36.38  | ORS36.38 NV    |
| ORS38   | ORS38 NV       |
| ORS39   | ORS39 NV       |
| ORS39.38  | ORS39.38 NV    |
| ORS48   | ORS48 NV       |

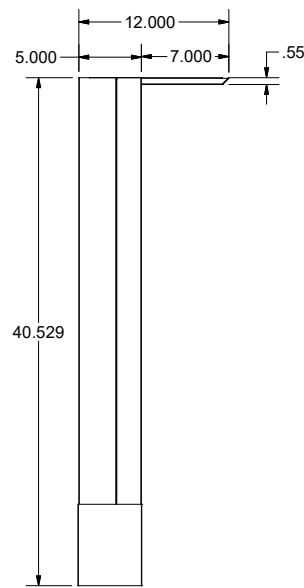
# Cabinet Accessories - Countertop Support Piers: OCPSxx

[\\*Return to Table of Contents](#)

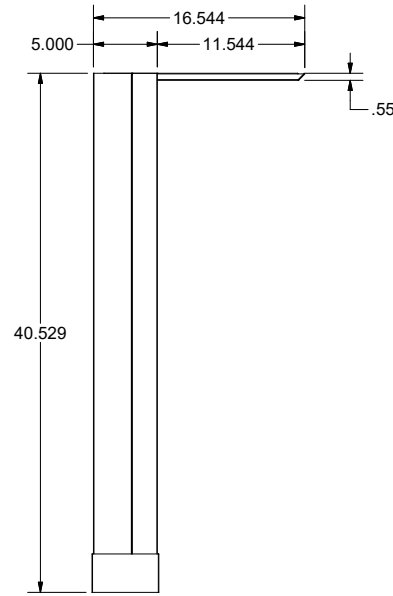
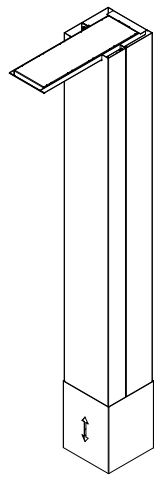
OCPS41E (electrical cutout)



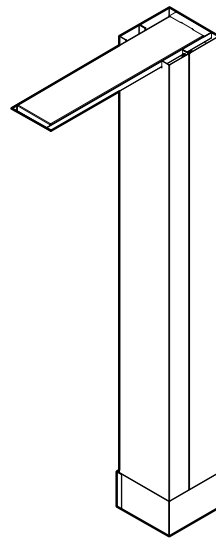
| Product Description   |
|---|
| OCPS: Raised countertop support piers for creating a bar behind cabinets, 5"W x 5"D, 34.5", and 41" heights available. Comes with standard height adjustable feet and sliding bracket to cover them. Uses arm to support countertop. Does not require OCP SPAN. |
| *GFCI Outlet Box not provided.  |
| Standard SKU  |
| OCPS34.5  |
| OCPS34.5-12   |
| OCPS41  |
| OCPS41-12   |
| With Electrical Cutout SKU  |
| OCPS41E-12  |
| OCPS41E   |



OCPS41-12 (NO electrical cutout)



OCPSxx (NO electrical cutout)



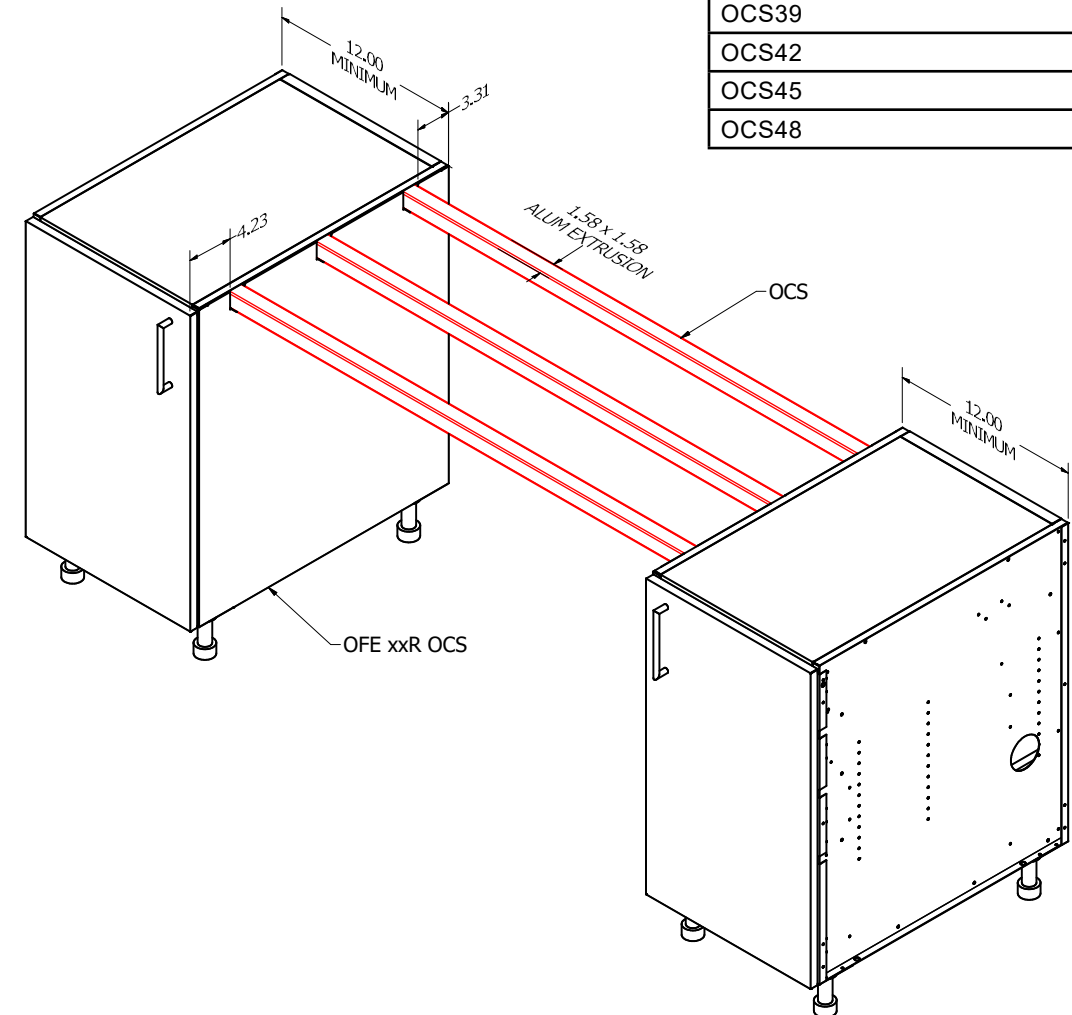
# Cabinet Accessories - Countertop Span Support: OCSxx

[\\*Return to Table of Contents](#)

Note: **OCS countertop support spacers are cut 1.5" longer than size listed.** They are designed to fit inside OFE XXL/R OCS by .75".

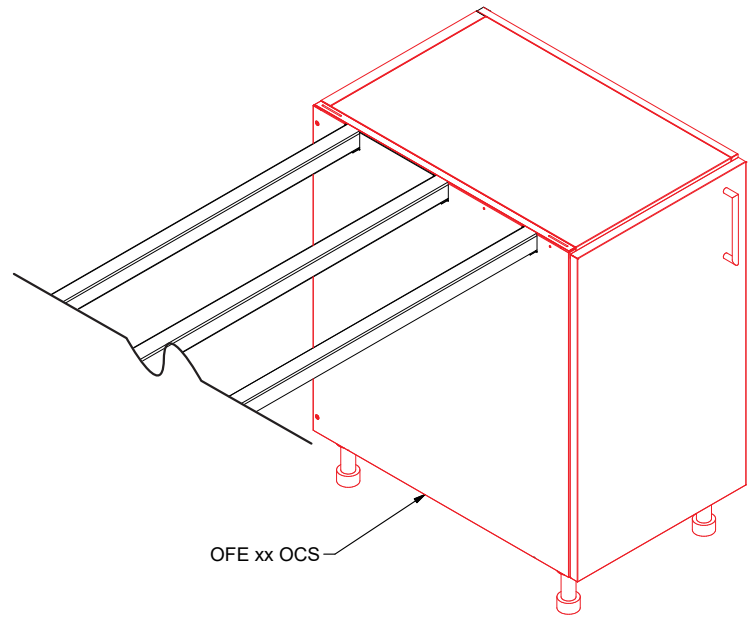
Ex: OCS30 supports are cut to **31.5" long**.

| Product Description  |
|--|
| The OCS Brace Kit is used to support countertop material. The three 1.58" x 1.58" square aluminum extrusions insert .75" into each adjacent cabinet using an OFE XXL/R OCS (flush finished side panel ready to receive the OCS kit see). The kit can only be used in between two cabinets, the minimum allowable width of the cabinets is 12" wide for proper structure and support. |
| *While the extrusions are durable, our company does not warranty that the Brace Kit will prevent countertop from cracking. Please refer to your countertop fabricator to verify usage with particular countertop material.*  |
| <b>If using an OCS to end a run, choose a small 12" wide cabinet like OBF1201 or OBD1211 then finish the side using an OFE OCS part. (See OFE XXL/R OCS)</b>   |
| SKU  |
| OCS30  |
| OCS33  |
| OCS36  |
| OCS39  |
| OCS42  |
| OCS45  |
| OCS48  |



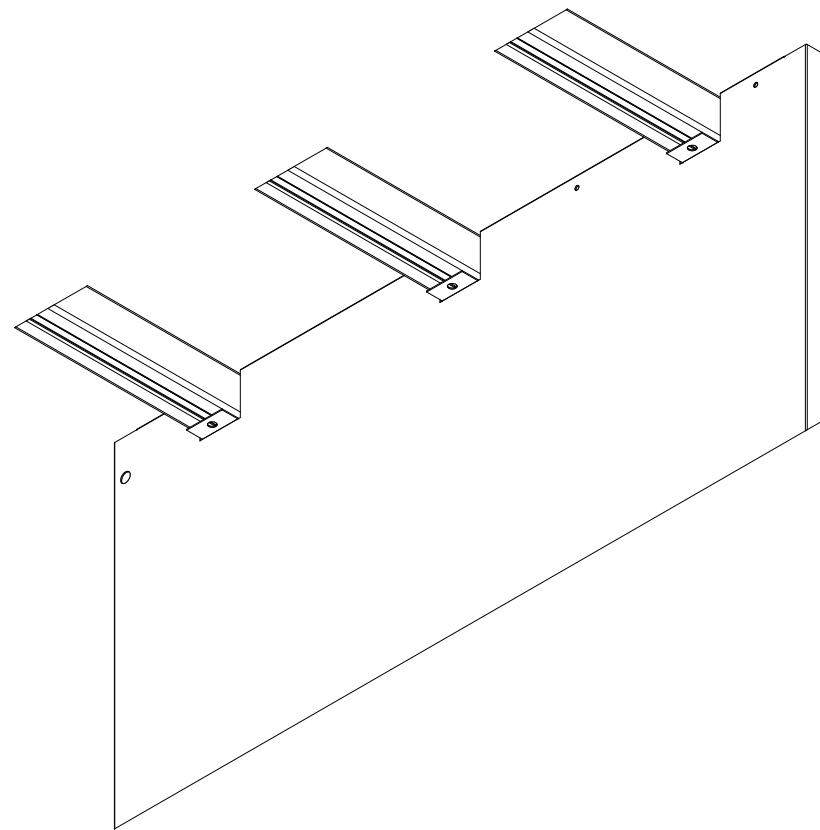
# Cabinet Accessories - Countertop Flush Ends: OFE xxL/R OCS

[\\*Return to Table of Contents](#)



| Product Description   |               |
|---|---------------|
| OFE: Base cabinet flush side panel. Sits flush to cabinet side, specify based on cabinet side and depth. *Notched for use with OCS countertop support span* |               |
| 27" Depth SKU   | 24" Depth SKU |
| OFE 27L OCS   | OFE 24L OCS   |
| OFE 27R OCS   | OFE 24R OCS   |

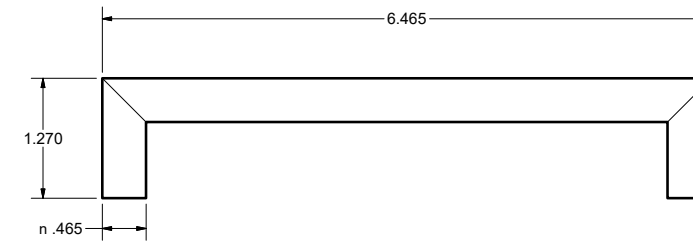
OFE xxL OCS notch detail:



# Miscellaneous - Handles

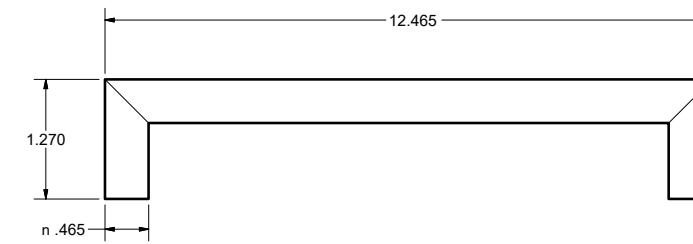
[\\*Return to Table of Contents](#)

## Standard Handle



| Product Description  |
|--|
| All Denver, Brown Jordan, and Trex Outdoor Kitchens cabinets come drilled and assembled with our standard stainless steel handle unless otherwise noted on the order. <b>6" center to center.</b><br>NOTE: Pulls can be powder coated any finish except wood grain finishes using the PC HANDLES part. |

## Overlay Panel Handle



NOTE: For use on appliance overlay panels only

| Product Description  |
|--|
| All Denver, Brown Jordan, and Trex Outdoor Kitchens overlay panels come drilled for our standard stainless steel overlay handle unless otherwise noted on the order. <b>12" center to center.</b><br>NOTE: Handles can be powder coated any finish except wood grain finishes using the PC HANDLES part. |

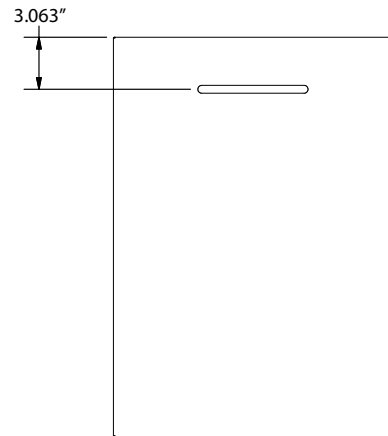
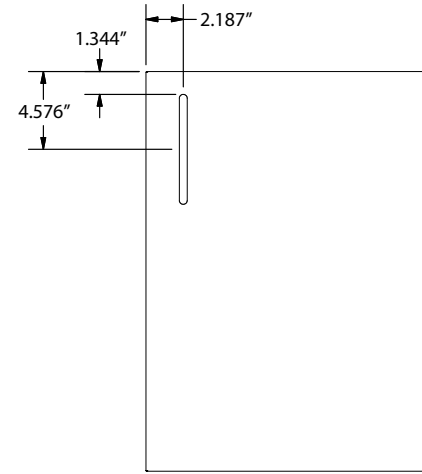


# Miscellaneous - Standard Handle Placement

[\\*Return to Table of Contents](#)

## Wall Cabinet handle placement

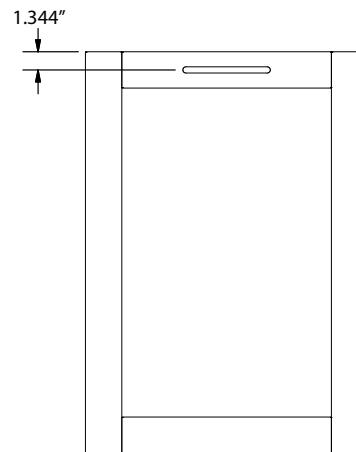
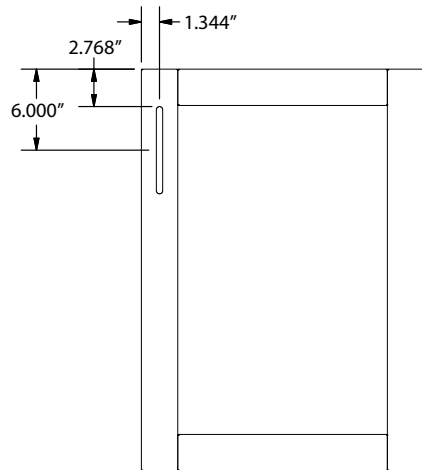
Vertical wall cabinet handle placement is the same as base cabinets but at the bottom of each door.



### Hampton (slab) handle placement

Note: Vertical knob hole placement is 1.56" from door top, 2.19" from side. Horizontal knob placement is centered on the door in the same location as pulls from the top.

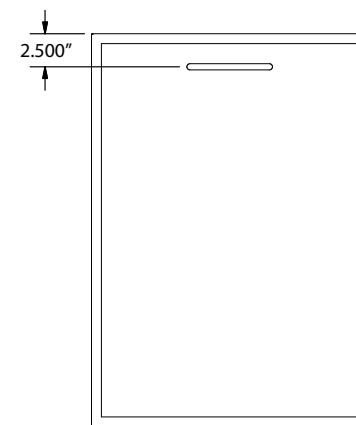
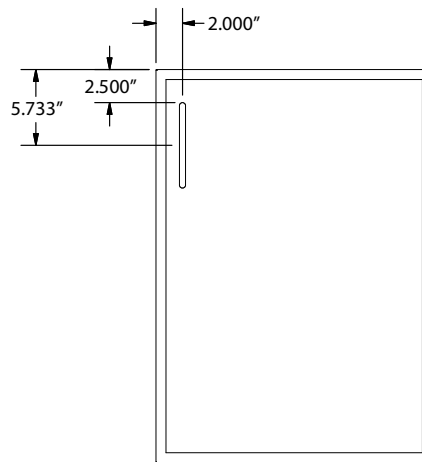
Hampton Drawer handle placement will match door placement. Smaller slab drawers under 7"H will be centered.



### Key West handle placement

Note: Louver, Beadboard, Palm Beach, London, Newport, and Rio style doors have the same handle placement as Key West.

Key West drawer handle placement will match door placement. Smaller slab drawers under 7"H will be centered.

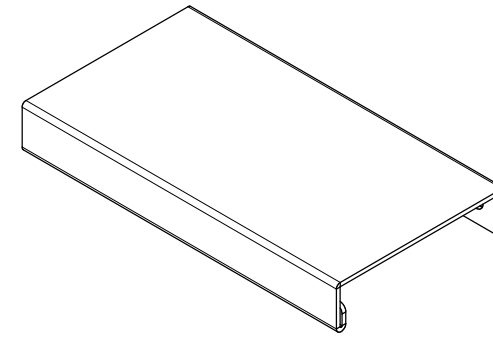


### Venice handle placement

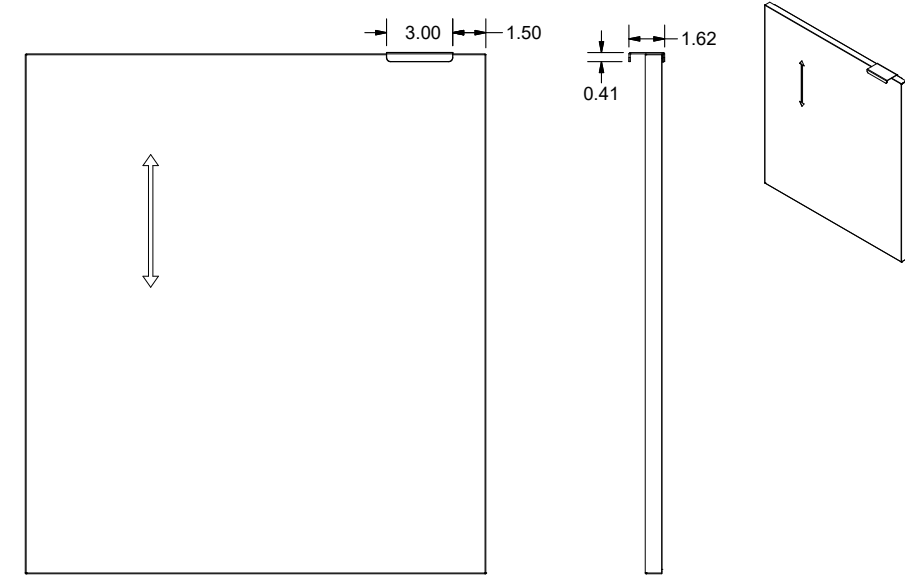
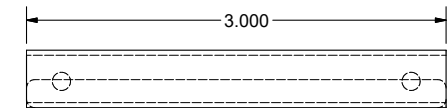
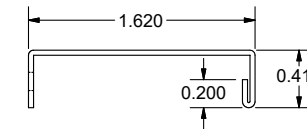
Venice drawer handle placement will match door placement. Smaller slab drawers under 7"H will be centered.

# Miscellaneous - Pull Tab Handles

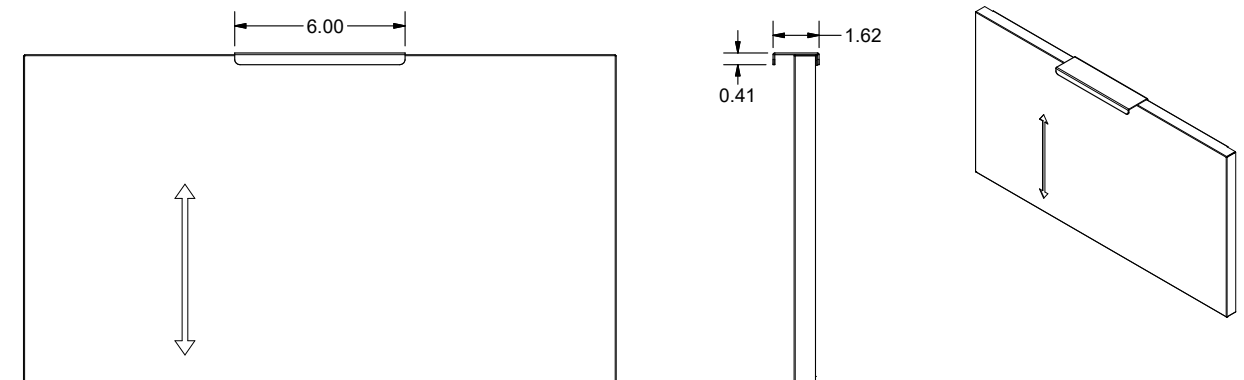
[\\*Return to Table of Contents](#)



| Product Description   |
|---|
| PULL TAB: Stainless steel tab pull, can be powder coated. Top Center install on drawers. Top Edge install on doors. |
| *** MADE IN HOUSE - cannot be installed Vertically or on Inserts or overlay panels.***                              |
| Notes   |
| Door pulls: 3" wide, 1 5/8" deep, 3/8" tab  |
| Drawer pulls: 6" wide, 1 5/8" deep, 3/8" tab  |



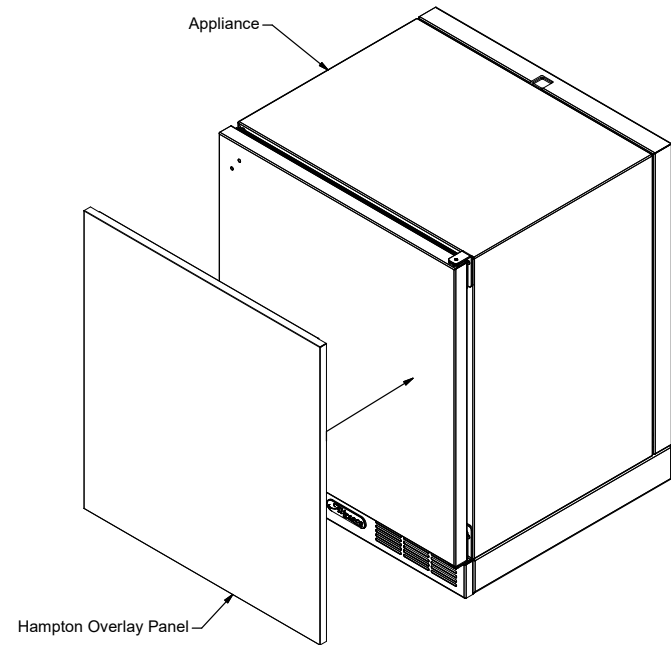
Pull tab placement on slab door.



Pull tab placement on slab drawer.

# Miscellaneous - Appliance Overlay Panels

[\\*Return to Table of Contents](#)



**Product Description**

Panels made to match any door/drawer style for most outdoor rated panel ready appliances such as refrigerators, ice makers, beverage centers, etc. Glass door frames in the Key West or Rio style are also possible. Please submit manufacturer specifications for panel(s) when requesting a kitchen quote.

Example SKU:  
True 15 URB-LH. This panel is used for a True 15" refrigerator, Hampton (slab) door style, left-hinged.

\*\*\*Overlay panels are made at 29.75"H to match our cabinet fronts. Because every appliance is different, Overlay panels may mount higher or lower on the appliance door to stay aligned with the adjacent cabinet doors. Overlay panels are manufactured without mounting holes and will need to be drilled on-site.\*\*\*

NOTE: No Locks Available for Overlay Panels

**SAMPLE SKUs**

| Manufacturer | Width | Door Style | Hinge |
|--------------|-------|------------|-------|
| TRUE         | 24    | KW         | -LH   |
| PERLICK      | 15    | VN         | -RH   |
| PERLICK      | 24    | GLASS RIO  | -LH   |
| SUMMIT       | 24    | HM         | -LH   |
| SUB-ZERO     | 24    | KW SG      | -RH   |

**SAMPLE SKU ADA**

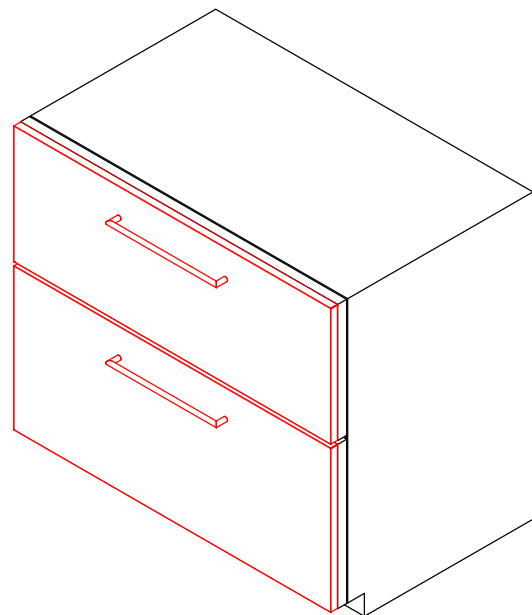
| Manufacturer | Width | Door Style | Hinge |
|--------------|-------|------------|-------|
| TRUE ADA     | 24    | KW         | -LH   |

**SAMPLE SKU DRAWER**

| Manufacturer | Width | Drawers | Door Style |
|--------------|-------|---------|------------|
| PERLICK      | 24    | 2       | HM         |

**DOOR STYLE NOMENCLATURE**

| Abbreviation | Door Style              |
|--------------|-------------------------|
| HM           | Hampton                 |
| VN           | Venice                  |
| KW           | Key West                |
| KW BB        | Key West Beadboard      |
| KW LV        | Key West Louver         |
| KW OFG       | Key West Open For Glass |
| PB           | Palm Beach              |
| TECNO        | Tecno                   |
| GLASS RIO    | Rio                     |

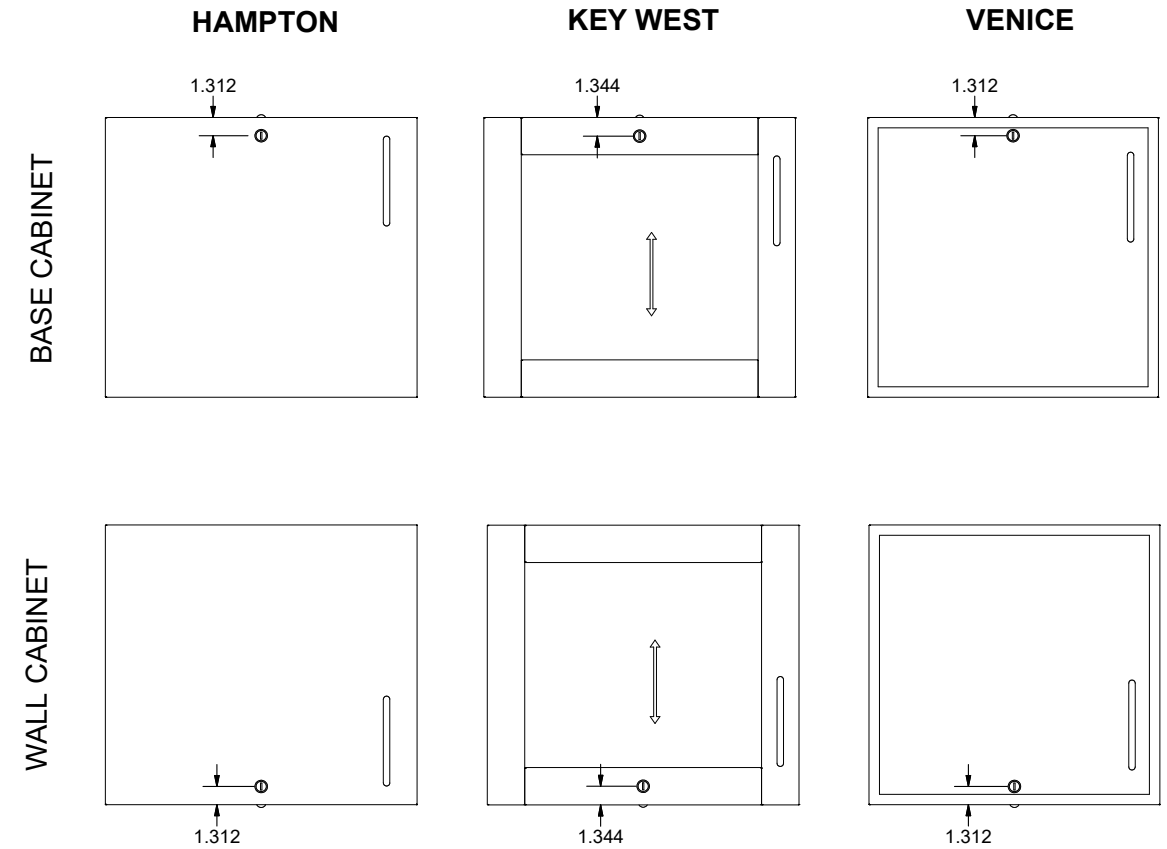


# Miscellaneous - Locks

[\\*Return to Table of Contents](#)

**Product Description**

LOCK: Add keyed lock to Hampton, Key West, Palm Beach, or Pull Tab doors. **Can be applied to Key West doors but NOT drawers or trash pullouts.**

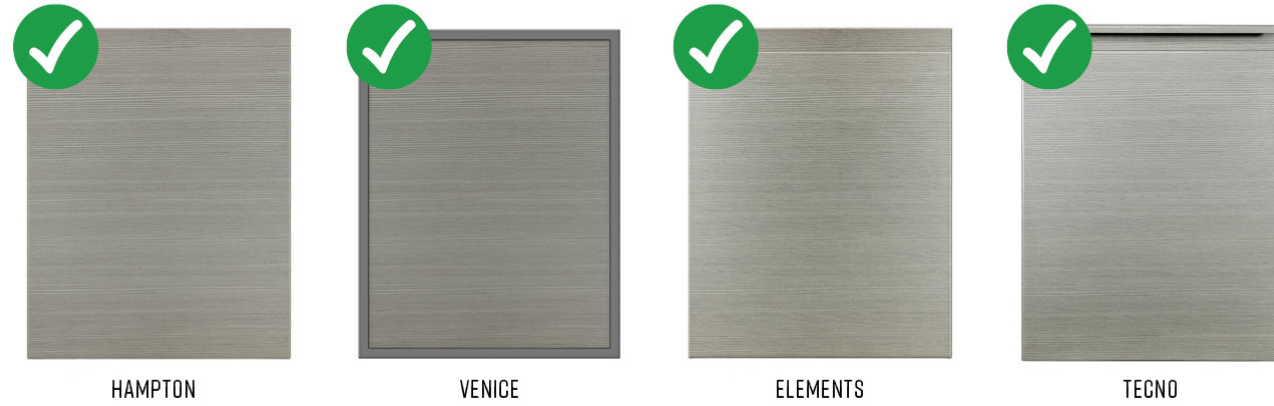


## Lock placement: Drawers

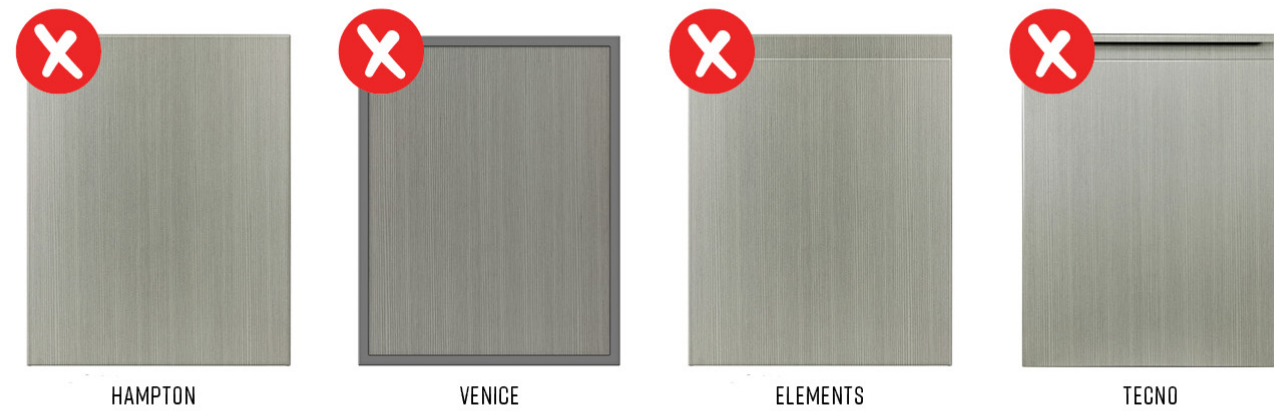
1. Hampton, Venice, and Rio style doors all have centered lock placement above the handle.
2. Locks are unavailable on all Key West drawer variations due to the handle conflicting with the lock.

### HORIZON WOOD GRAIN CORRECT USAGE

ONLY USE IN HORIZONTAL GRAIN PATTERN  
 ONLY FOR USE ON HAMPTON, VENICE (CENTER PANEL ONLY), ELEMENTS & TECNO DOOR STYLES



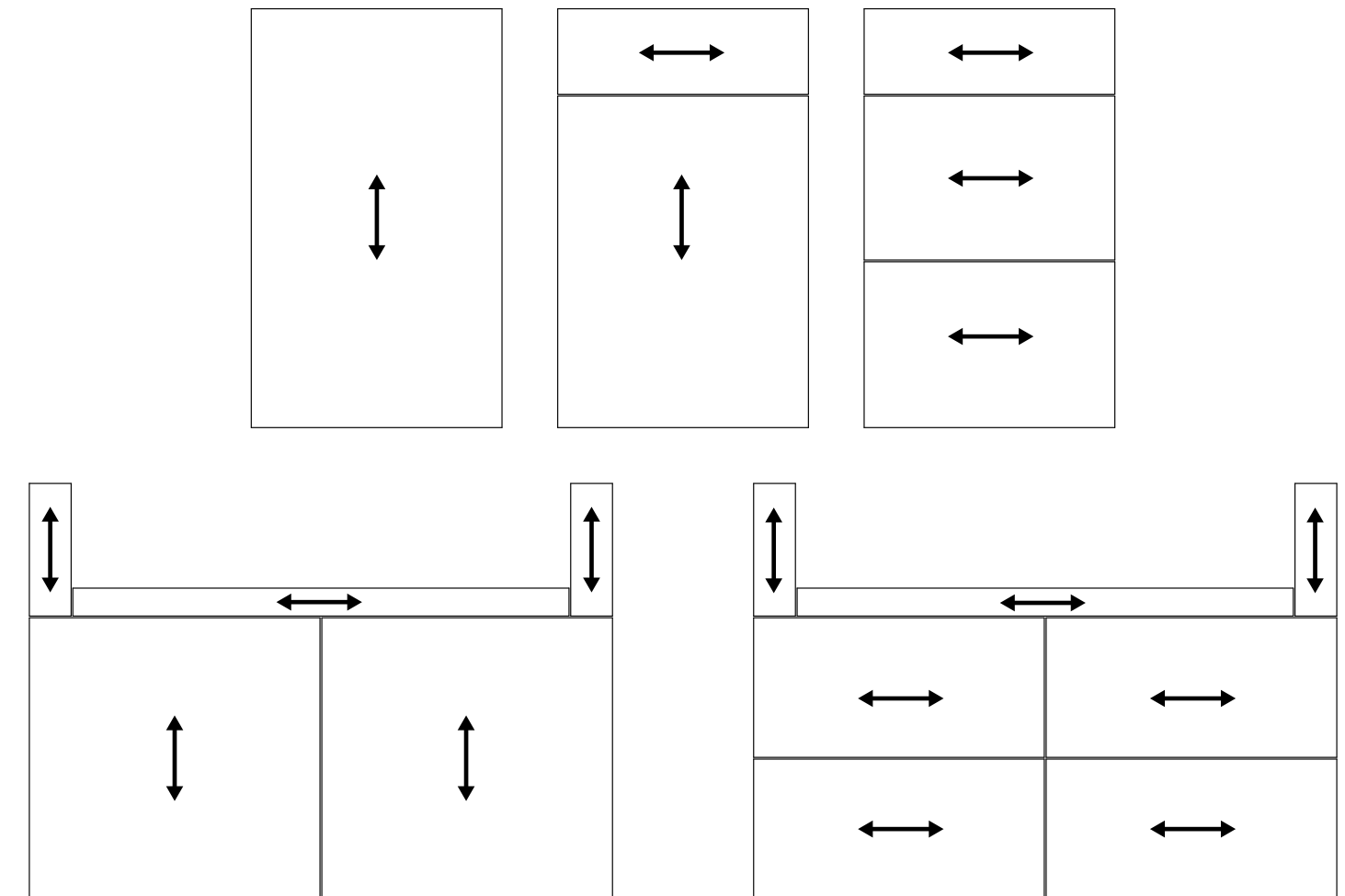
### NO VERTICAL GRAIN DIRECTION



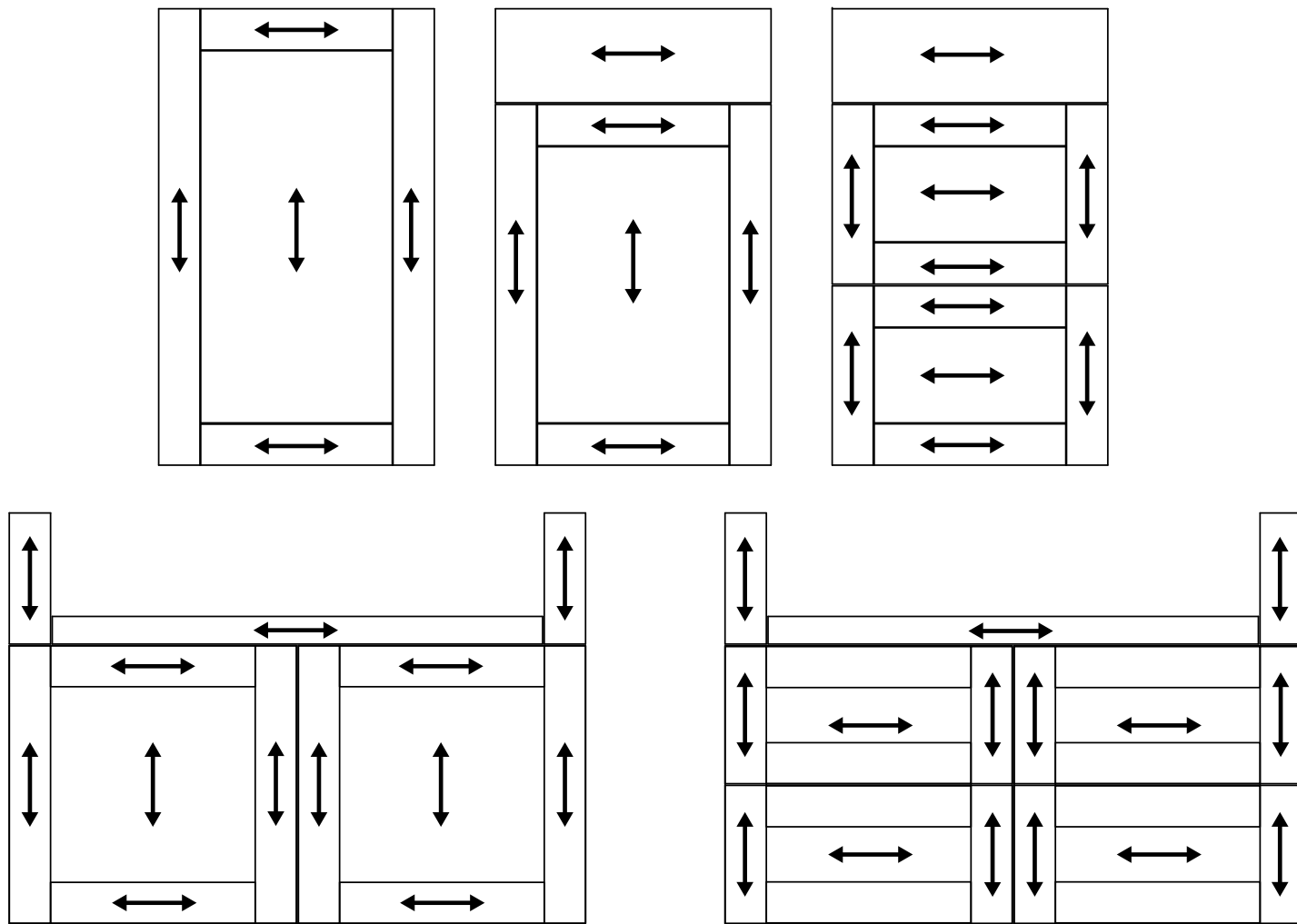
### NO OTHER DOOR STYLES



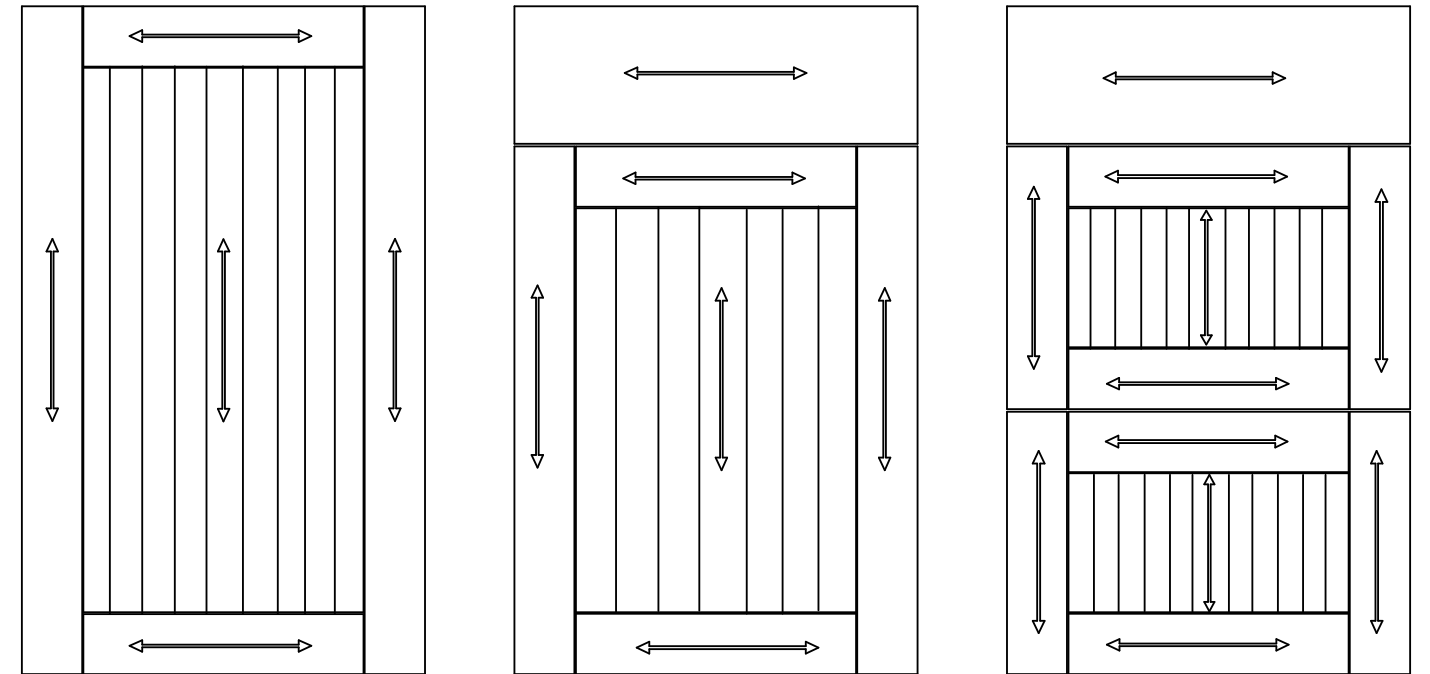
### Wood grain direction: Hampton Slab & Rio Door styles



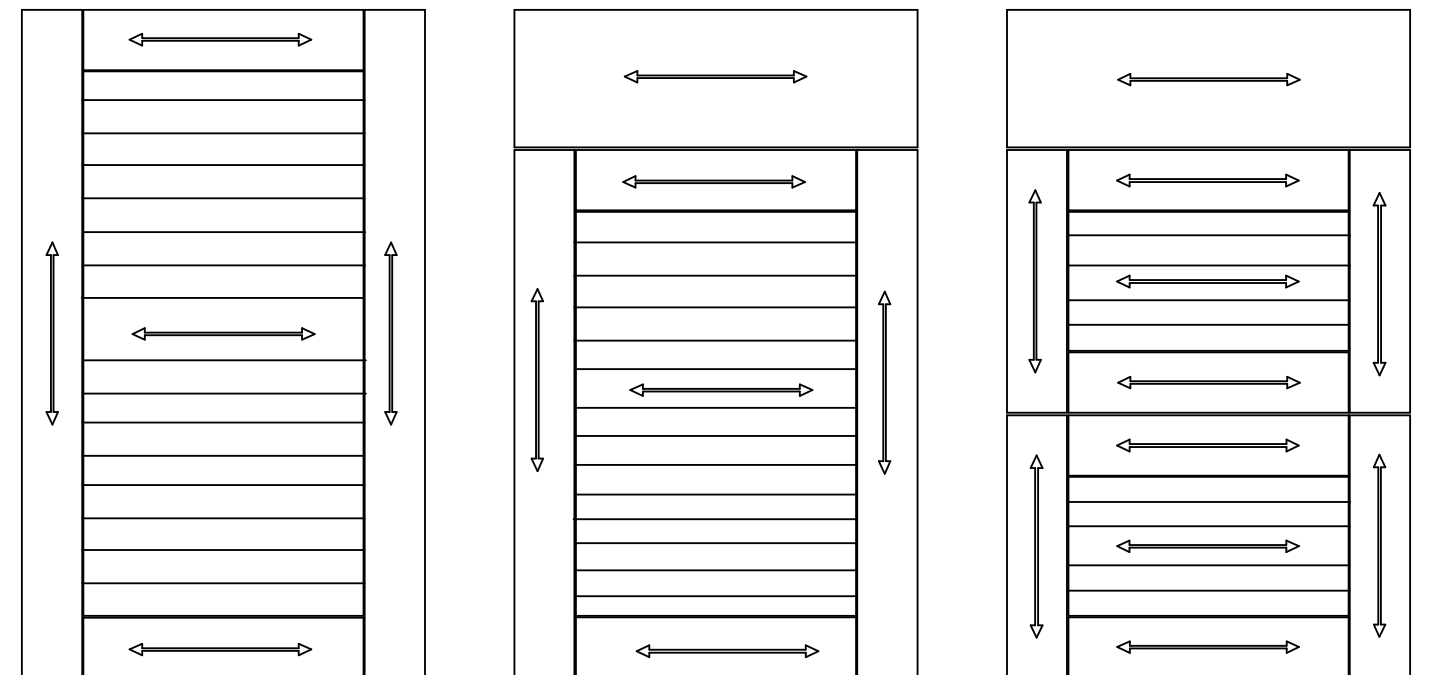
Wood grain direction: Key West Door Style



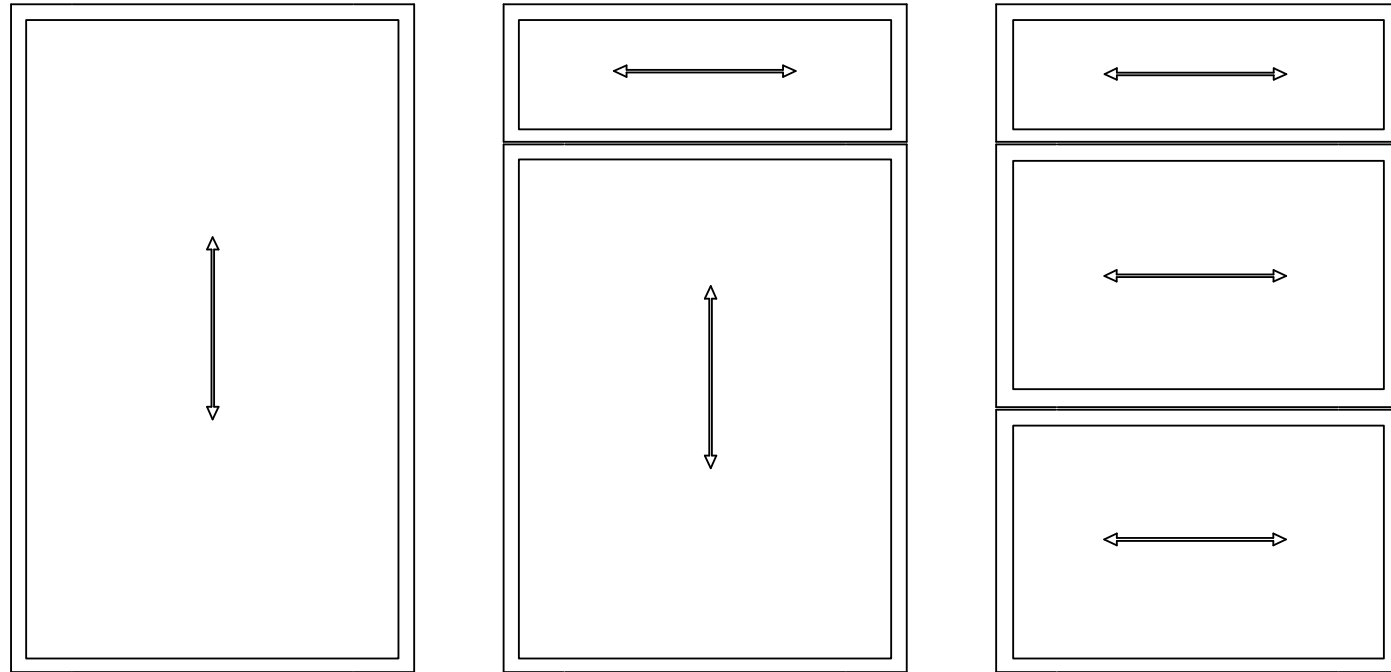
Wood grain direction: Key West Beadboard Door Style



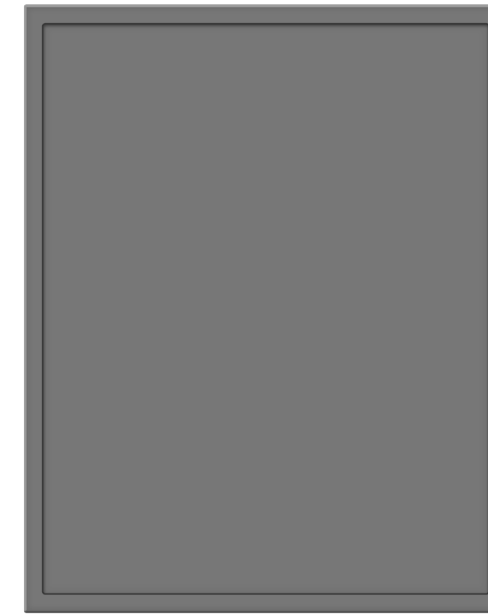
Wood grain direction: Key West Louver Door Style



Wood grain direction: Venice Door Style

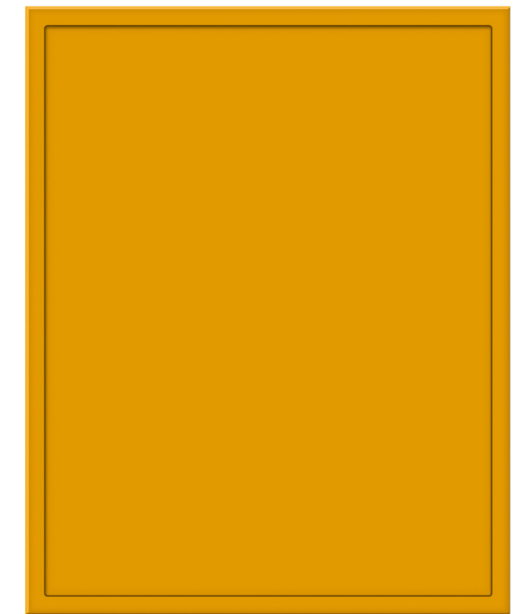


**Note:** Venice doors can ONLY have the center panel wood grain powder coated and the frame left as stainless steel or powder coated a standard color. Wood grain centers are coated with standard vertical orientation shown above.



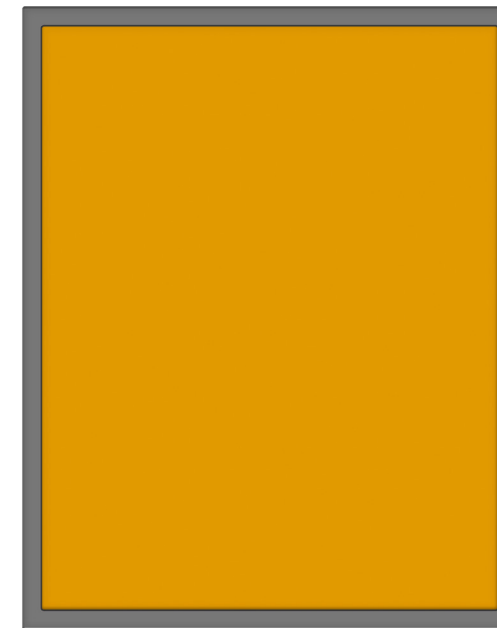
**Option 1: Stainless Steel Frame and Center Panel**

Center & Frame: Stainless Steel



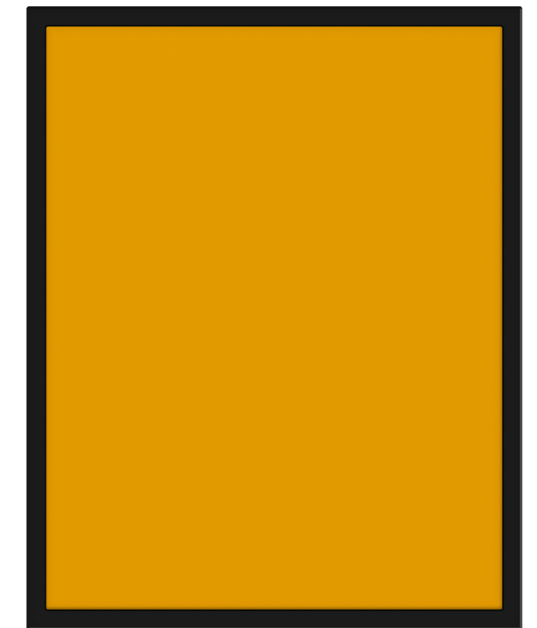
**Option 2: Powder Coated Frame and Center - Single Color**

Center & Frame: Primary Color



**Option 3: Stainless Frame with Powder Coated Center Panel**

Center: Primary Color, Frame: Stainless Steel



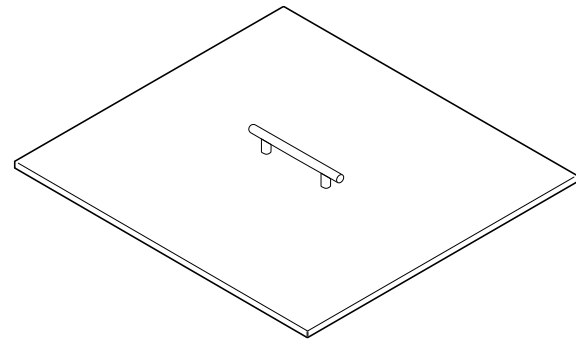
**Option 4: Powder Coated Center Panel with Complementary Frame**

Center: Primary Color, Frame: Secondary Color

**Note:** powder coat finishes are available for the center panel and will be used on the accessories - trim kits, fillers, side/back panels, etc.  
All powder coat finishes can be used on frame *except for wood grain finishes.*

## Miscellaneous - Sink Covers: SCxxzz

[\\*Return to Table of Contents](#)

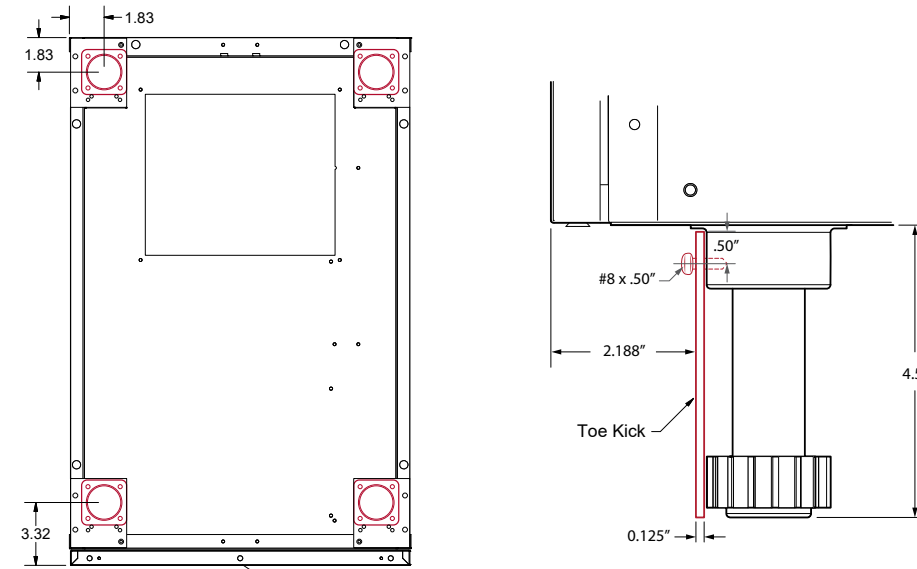


| Product Description  |
|--|
| SC: Stainless 304 sink covers with handles to match cabinets. Can be powder coated to match cabinets. Custom sizes available, please contact sales. *Size listed is inside dimension*<br>Ex: 21"W x 16"H |
| SKU  |
| SC2116   |
| SC2121   |
| SC2422   |
| SC3222   |
| SC3422   |
| SC3822   |
| SC4322   |

## Miscellaneous - Standard & ADA Legs

[\\*Return to Table of Contents](#)

### Typical cabinet leg location.



Bottom View

Side View

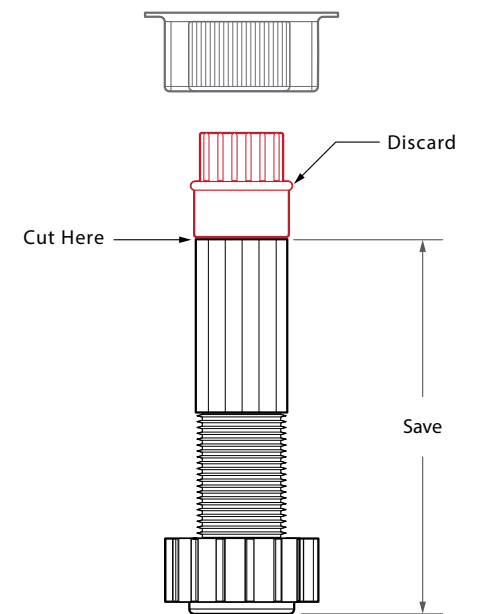
Our standard cabinet leg is adjustable from **3.75" to 5.75"**

Standard legs that have been cut to ADA height are adjustable from **2" to 3.25"**.

### Modification of Standard Legs

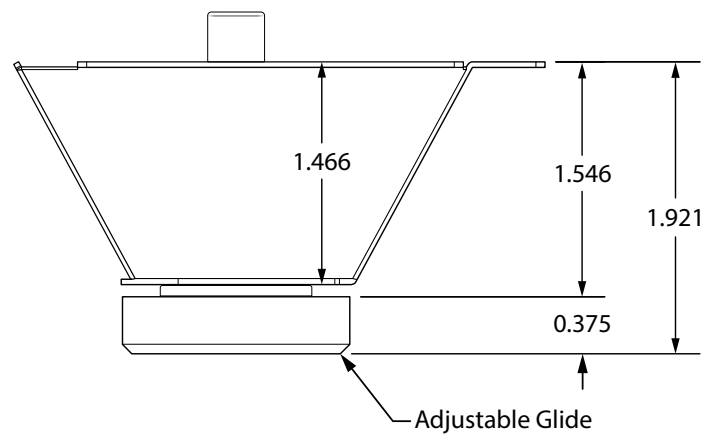
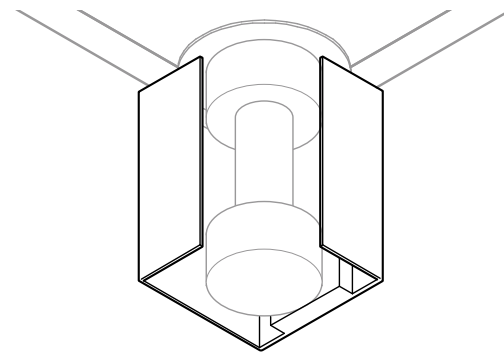
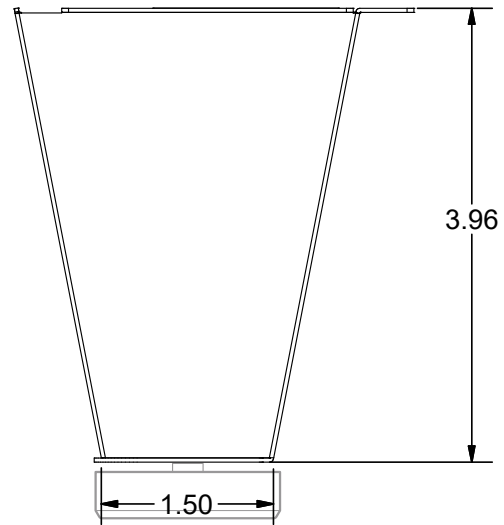
Standard legs can be modified if the cabinet needs to sit below our standard minimum leg height (i.e. ADA application). This modification will allow the legs to be at a reduced height but still afford the ability for adjustment, ensuring correct leveling of cabinets.

Refer to the Cabinet Installation Instructions for complete information.



# Miscellaneous - Stainless Legs: SSLEG

[\\*Return to Table of Contents](#)



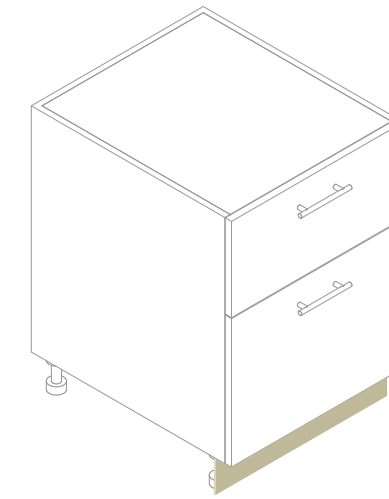
| Product Description  |   |
|--|---|
| <p>SSLEG options: A wide range of Stainless Steel leg covers are available. ADA compliant leg and wall cabinet leg modifier kits are also available. Stainless legs can be powder coated to match cabinetry.</p> |   |
| SKU  | Description   |
| SSLEG  | <p>Exposed 4.5"-5.25" high stainless steel tapered leg. Number required based on cabinet sizes, either 4, 6, or 8 (54" and above). REPLACES LEGS.</p> <p>NOTE: Cannot be used for ORP/OBX units smaller than 3.88"W. Should only be used on a level deck.</p>                                     |
| SSLEG COVER  | <p>Square stainless cover for standard legs where no toe kick preferred. NOTE: Cannot be used for ORP/OBX units smaller than 3.88"W</p>   |
| SSLEG COVER ADJ  | <p>Adjustable square stainless steel leg cover: 3" minimum - 5.62" maximum height. NOTE: Cannot be used for ORP/OBX units smaller than 3.88"W</p>   |
| SSLEG COVER DOUBLE   | <p>Square stainless cover to cover 2 standard legs</p>  |
| ADA SSLEG  | <p>Exposed 2"-2.75" high stainless steel tapered leg for ADA compliant cabinet. Number required based on cabinet sizes, either 4, 6, or 8 (54" and above). REPLACES STANDARD LEGS.</p> <p>NOTE: Cannot be used for ORP or OBX units smaller than 3.88"W. Should only be used on a level deck.</p> |

# Miscellaneous - Toe Kick: OTKx

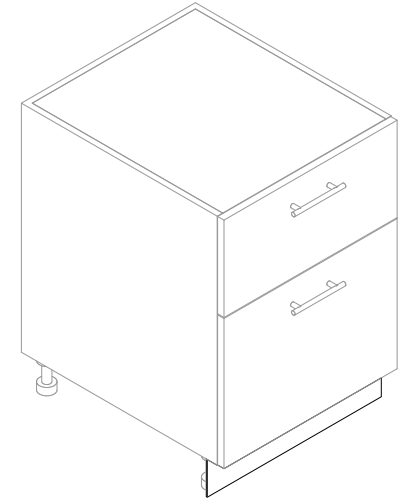
[\\*Return to Table of Contents](#)



Black Toe Kick



Stainless Steel Toe Kick



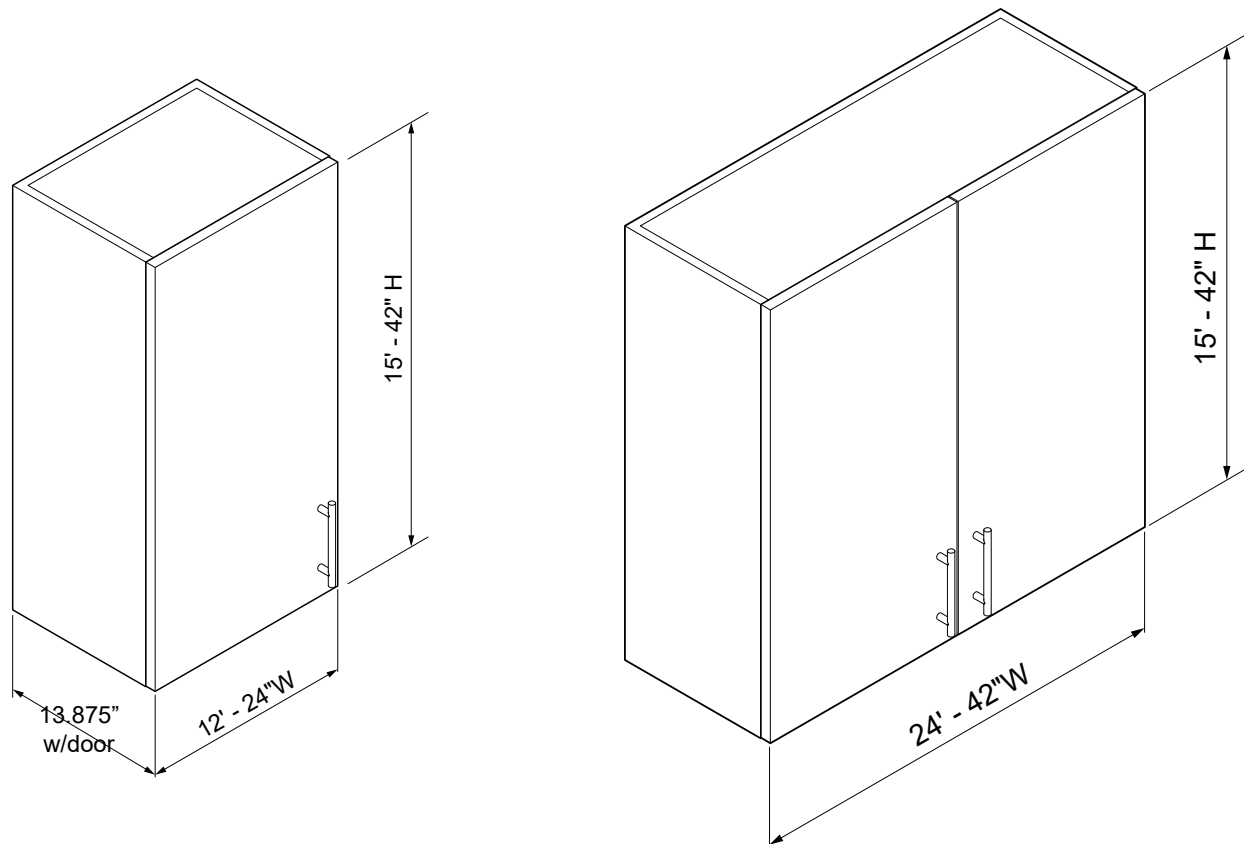
Powder Coated Aluminum Toe Kick

| Product Description   |                        |                                    |                           |                           |
|---|------------------------|------------------------------------|---------------------------|---------------------------|
| <p>Toe Kick: .090" thick Aluminum toe kick is available plain to match stainless or can be powder coated to match cabinetry.</p> <p>NOTE: SHIPPED SEPARATELY VIA FEDEX/UPS GROUND, NOT WITH FREIGHT SHIPMENT!</p> |                        |                                    |                           |                           |
| Finish  | 84" Length of Toe Kick | Splice for Connecting Straight Run | 45 Degree Corner Splice   | 90 Degree Corner Splice   |
| 2" H Black Finish   | OTK2                   | OTK2 SPLICE                        | OTK2 CORNER 45            | OTK2 CORNER 90            |
| 2" H 316 Stainless Steel  | OTK2-SS 316            | OTK2-SS 316 SPLICE                 | OTK2-SS 316 CORNER 45     | OTK2-SS 316 CORNER 90     |
| 2" H Aluminum with Powder Coat Finish   | OTK2-AL PAINTED        | OTK2-AL SPLICE PAINTED             | OTK2-AL CORNER 45 PAINTED | OTK2-AL CORNER 90 PAINTED |
| 4.38" H Black Finish  | OTK4                   | OTK4 SPLICE                        | OTK4 CORNER 45            | OTK4 CORNER 90            |
| 4.38" H 316 Stainless Steel   | OTK4-SS 316            | OTK4-SS 316 SPLICE                 | OTK4-SS 316 CORNER 45     | OTK4-SS 316 CORNER 90     |
| 4.38" H Aluminum with Powder Coat Finish  | OTK4-AL PAINTED        | OTK4-AL SPLICE PAINTED             | OTK4-AL CORNER 45 PAINTED | OTK4-AL CORNER 90 PAINTED |
| 6" H Black Finish   | OTK6                   | OTK6 SPLICE                        | OTK6 CORNER 45            | OTK6 CORNER 90            |
| 6" H 316 Stainless Steel  | OTK6-SS 316            | OTK6-SS 316 SPLICE                 | OTK6-SS 316 CORNER 45     | OTK6-SS 316 CORNER 90     |
| 6" H Aluminum with Powder Coat Finish   | OTK6-AL PAINTED        | OTK6-AL SPLICE PAINTED             | OTK6-AL CORNER 45 PAINTED | OTK6-AL CORNER 90 PAINTED |

# Wall Cabinets

[\\*Return to Table of Contents](#)

- Available in 3" increments from 12" to 48" wide.
- Standard heights range from 15" to 42".
- Cabinet depth is 13" (13.88" including door).
- Two doors are furnished with cabinets from 24" to 48" in width.
- Includes 0-3 shelves depending on the height of the cabinets: **15"H**=no shelf, **18-24"H**=1 shelf, **30-36"H**=2 shelves, **39-42"H**=3 shelves.
- Wall units require **PVC CLEAT** material on top and bottom notches to be hung.
- Every wall cabinet comes with:
  - top and bottom finished panels
  - standard stainless bar pulls
- The wall cabinet line includes diagonal corner and blind corner wall cabinet options.
- Finished side panels are optional and are available in two configurations:
  - Flush to the cabinet side (WFE) or .75" thick panel flush to the face of the door (WSP). Doors may be ordered in different styles or open for glass (OFG).
  - Wall cabinetry may also be fitted with standard or stainless legs and used as shallow depth base cabinets (accessory part name: WALL LEG KIT).



# Wall Cabinets & Accessories: Nomenclature

[\\*Return to Table of Contents](#)

- All Denver Wall cabinets use specific nomenclature designed to help you find the specific type needed.
- Wall cabinets and Wall accessories begin with "**W**".
- Standard wall cabinet depth is 13".
- Specify "**-24**" after the part number for 24" depth cabinets. Example: **WS2421-24**.

Single Door Wall Cabinet part nomenclature; example:

|                                    |                         |                          |                    |
|------------------------------------|-------------------------|--------------------------|--------------------|
| WS1821-RH: 18" Single Door Cabinet |                         |                          |                    |
| <b>WS</b>                          | <b>18</b>               | <b>21</b>                | <b>RH</b>          |
| <b>Style</b>                       | <b>Width</b>            | <b>Height</b>            | <b>Hinge</b>       |
| Style                              | Cabinet Width in inches | Cabinet Height in inches | Left or Right Hand |

Double Door Wall Cabinet part nomenclature; example:

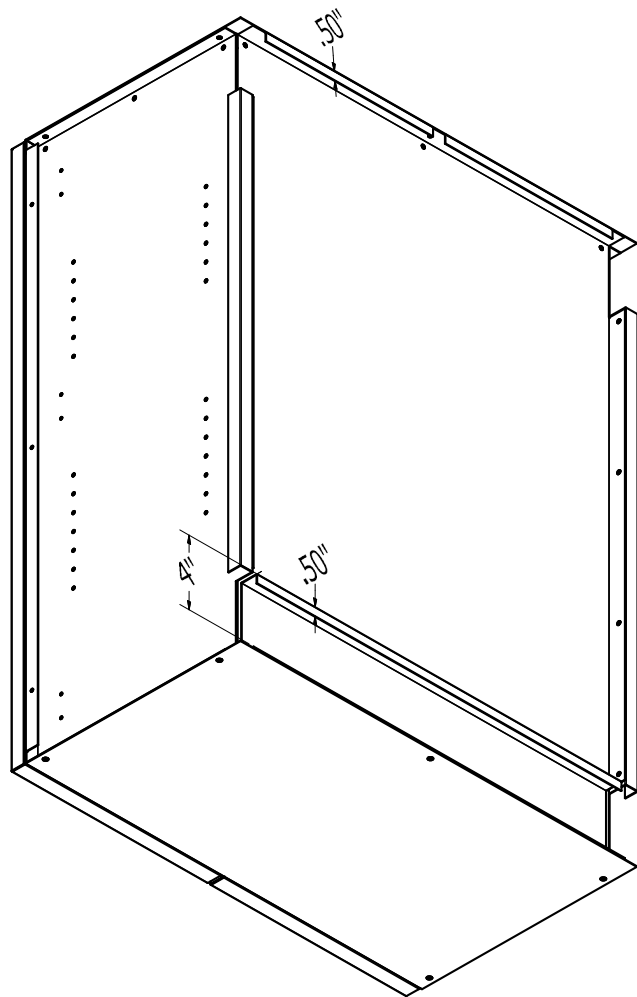
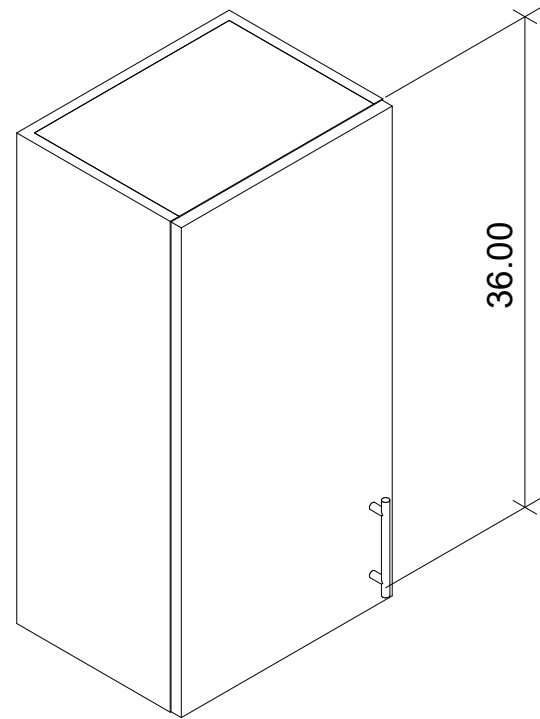
|                                 |                         |                          |
|---------------------------------|-------------------------|--------------------------|
| WS3636: 36" Double Door Cabinet |                         |                          |
| <b>WS</b>                       | <b>36</b>               | <b>36</b>                |
| <b>Style</b>                    | <b>Width</b>            | <b>Height</b>            |
| Style                           | Cabinet Width in inches | Cabinet Height in inches |

| Wall Part Name        | Description                   | Wall Part Usage Summary  |
|-----------------------|-------------------------------|--|
| <b>PVC CLEAT</b>      | Cleat material                | 60"L x 3"H, used as anchor point to mount wall cabinets.               |
| <b>WBxxxx</b>         | Wall Blind Corner             | Blind wall cabinet used in a corner void.                              |
| <b>WDCxx</b>          | Wall Diagonal Corner          | Wall cabinet used to fill a corner.                                    |
| <b>WFC xx yy</b>      | Wall Filler Corner            | Corner filler with top and bottom pieces included to fill corner void. |
| <b>WFExxL/R</b>       | Wall Flush End Left or Right  | Applied to wall cabinet to end run, does not add any width.            |
| <b>WFL xx yy</b>      | Wall Filler Front             | Used between two wall cabinets to fill space, .75" minimum             |
| <b>WMCxxxx</b>        | Wall Microwave Cabinet        | Wall cabinet used to house microwave.                                  |
| <b>WSP DECORATIVE</b> | Wall Decorate Side Panel      | Decorative panels to match any door front style (Venice, Louver, etc.) |
| <b>WSPxxL/R</b>       | Wall Side Panel Left or Right | Applied to end of Wall run to finish cabinet side, adds .75" width.    |



# Wall Cabinets - Single door: WSxxzz-LH/RH

[\\*Return to Table of Contents](#)

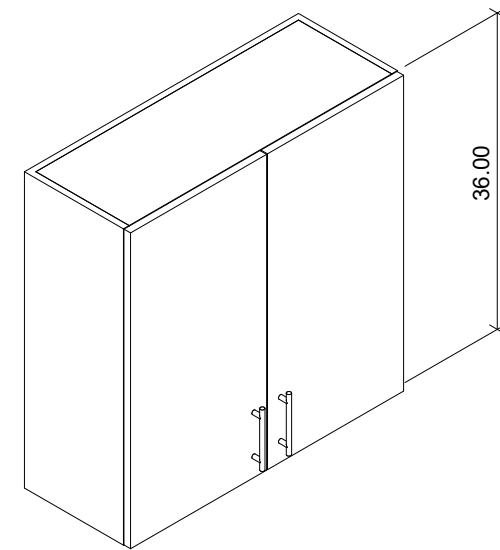


Rear View

| Product Description           |                |
|-------------------------------|----------------|
| WS: Single Door Wall Cabinets |                |
| 15" Height SKU                | 18" Height SKU |
| WS1215-LH                     | WS1218-LH      |
| WS1215-RH                     | WS1218-RH      |
| WS1515-LH                     | WS1518-LH      |
| WS1515-RH                     | WS1518-RH      |
| WS1815-LH                     | WS1818-LH      |
| WS1815-RH                     | WS1818-RH      |
| WS2115-LH                     | WS2118-LH      |
| WS2115-RH                     | WS2118-RH      |
| 21" Height SKU                | 24" Height SKU |
| WS1221-LH                     | WS1224-LH      |
| WS1221-RH                     | WS1224-RH      |
| WS1521-LH                     | WS1524-LH      |
| WS1521-RH                     | WS1524-RH      |
| WS1821-LH                     | WS1824-LH      |
| WS1821-RH                     | WS1824-RH      |
| WS2121-LH                     | WS2124-LH      |
| WS2121-RH                     | WS2124-RH      |
| 30" Height SKU                | 33" Height SKU |
| WS1230-LH                     | WS1233-LH      |
| WS1230-RH                     | WS1233-RH      |
| WS1530-LH                     | WS1533-LH      |
| WS1530-RH                     | WS1533-RH      |
| WS1830-LH                     | WS1833-LH      |
| WS1830-RH                     | WS1833-RH      |
| WS2130-LH                     | WS2133-LH      |
| WS2130-RH                     | WS2133-RH      |
| 36" Height SKU                | 39" Height SKU |
| WS1236-LH                     | WS1239-LH      |
| WS1236-RH                     | WS1239-RH      |
| WS1536-LH                     | WS1539-LH      |
| WS1536-RH                     | WS1539-RH      |
| WS1836-LH                     | WS1839-LH      |
| WS1836-RH                     | WS1839-RH      |
| WS2136-LH                     | WS2139-LH      |
| WS2136-RH                     | WS2139-RH      |
| 42" Height SKU                |                |
| WS1242-LH                     |                |
| WS1242-RH                     |                |
| WS1542-LH                     |                |
| WS1542-RH                     |                |
| WS1842-LH                     |                |
| WS1842-RH                     |                |
| WS2142-LH                     |                |
| WS2142-RH                     |                |

# Wall Cabinets - Double door: WSxxzz

[\\*Return to Table of Contents](#)

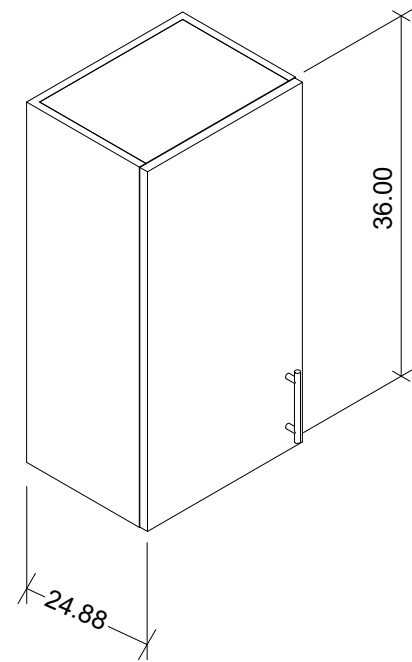


| Product Description           |                |
|-------------------------------|----------------|
| WS: Double Door Wall Cabinets |                |
| 12" Height SKU                |                |
| WS3612                        |                |
| 15" Height SKU                | 18" Height SKU |
| WS2415                        | WS2418         |
| WS2715                        | WS2718         |
| WS3015                        | WS3018         |
| WS3315                        | WS3318         |
| WS3615                        | WS3618         |
| WS3915                        | WS3918         |
| WS4215                        | WS4218         |
| 21" Height SKU                | 24" Height SKU |
| WS2421                        | WS2424         |
| WS2721                        | WS2724         |
| WS3021                        | WS3024         |
| WS3321                        | WS3324         |
| WS3621                        | WS3624         |
| WS3921                        | WS3924         |
| WS4221                        | WS4224         |

| Product Description           |                |
|-------------------------------|----------------|
| WS: Double Door Wall Cabinets |                |
| 30" Height SKU                | 33" Height SKU |
| WS2430                        | WS2433         |
| WS2730                        | WS2733         |
| WS3030                        | WS3033         |
| WS3330                        | WS3333         |
| WS3630                        | WS3633         |
| WS3930                        | WS3933         |
| WS4230                        | WS4233         |
| 39" Height SKU                | 36" Height SKU |
| WS2439                        | WS2436         |
| WS2739                        | WS2736         |
| WS3039                        | WS3036         |
| WS3339                        | WS3336         |
| WS3639                        | WS3636         |
| WS3939                        | WS3936         |
| WS4239                        | WS4236         |
| WS4539                        | WS4542         |
| 39" Height SKU                | 42" Height SKU |
| WS2439                        | WS2442         |
| WS2739                        | WS2742         |
| WS3039                        | WS3042         |
| WS3339                        | WS3342         |
| WS3639                        | WS3642         |
| WS3939                        | WS3942         |
| WS4239                        | WS4242         |
| WS4539                        | WS4542         |
| WS4839                        | WS4842         |

## Wall Cabinets - 24" Deep: WSxxzz-24

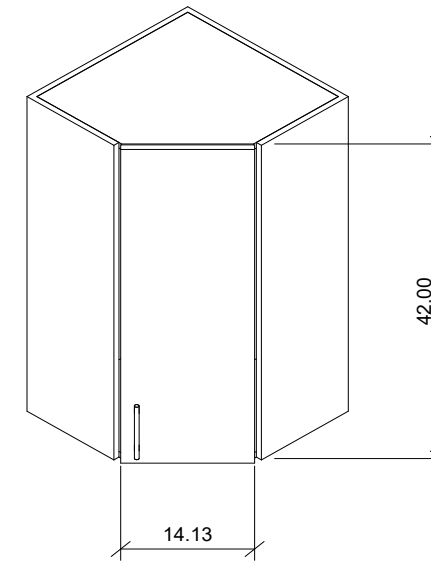
[\\*Return to Table of Contents](#)



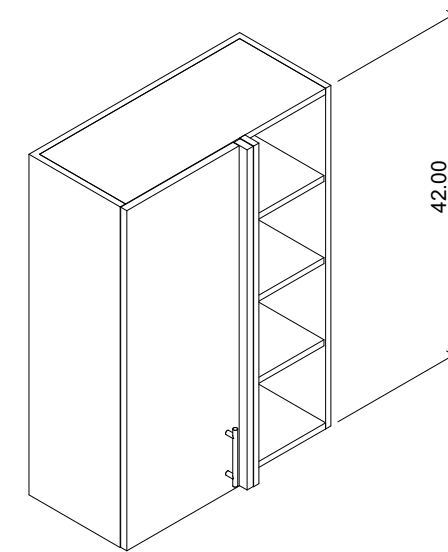
| Product Description                              |                    |
|--|--------------------|
| WS: 24" DEEP Double or Single Door Wall Cabinets |                    |
| 12" Height SKU                                   |                    |
| WS2412-24  |                    |
| WS3012-24  |                    |
| WS3612-24  |                    |
| 15" Height SKU                                   | 18" Height SKU     |
| WS1515-24 (single)                               | WS1518-24 (single) |
| WS3315-24  | WS3018-24          |
| WS3615-24  | WS3318-24          |
| 21" Height SKU                                   | 24" Height SKU     |
| WS2421-24  | WS1224-24          |
| WS3321-24  | WS3324-24          |
| WS3621-24  | WS3624-24          |
| 30" Height SKU                                   | 36" Height SKU     |
| WS2430-24  | WS2436-24          |
| 39" Height SKU                                   | 42" Height SKU     |
| WS3039-24  | WS3042-24          |

## Wall Cabinets - Diagonal Corner: WDCxx, Blind Corner: WBxxzz

[\\*Return to Table of Contents](#)



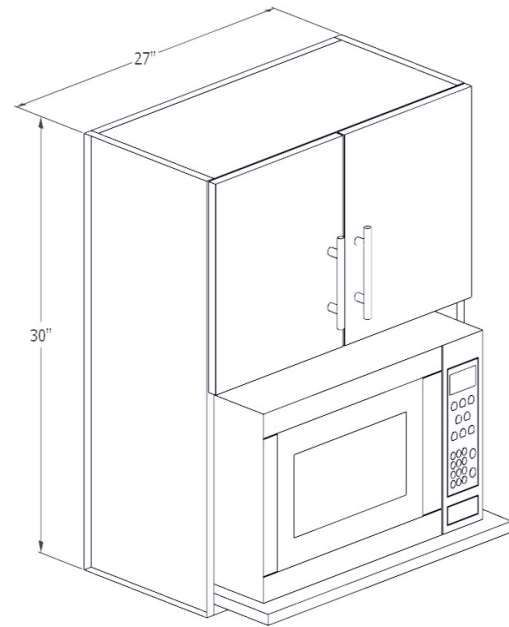
| Product Description  |  |
|--|--|
| WDC: Diagonal Corner Wall Cabinets 13" deep to align with other Wall Cabinets, XX"H. 1 door. |  |
| SKU  |  |
| WDC15-LH   |  |
| WDC15-RH   |  |
| WDC18-LH   |  |
| WDC18-RH   |  |
| WDC21-LH   |  |
| WDC21-RH   |  |
| WDC24-LH   |  |
| WDC24-RH   |  |
| WDC30-LH   |  |
| WDC30-RH   |  |
| WDC36-LH   |  |
| WDC36-RH   |  |
| WDC42-LH   |  |
| WDC42-RH   |  |



| Product Description                           |                |
|---|----------------|
| WB: Blind Corner Wall Cabinets, 13"D, 1 door. |                |
| 24" Height SKU                                | 30" Height SKU |
| WB2724-LH                                     | WB2730-LH      |
| WB2724-RH                                     | WB2730-RH      |
| WB3024-LH                                     | WB3030-LH      |
| WB3024-RH                                     | WB3030-RH      |
| 36" Height SKU                                | 42" Height SKU |
| WB2736-LH                                     | WB2742-LH      |
| WB2736-RH                                     | WB2742-RH      |
| WB3036-LH                                     | WB3042-LH      |
| WB3036-RH                                     | WB3042-RH      |

# Wall Cabinets - Microwave Cabinet: WMCxxzz

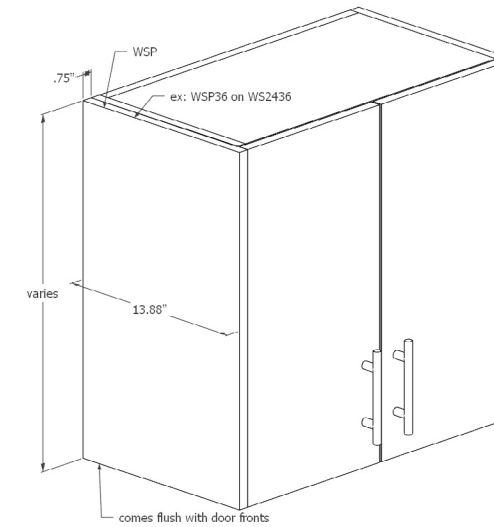
[\\*Return to Table of Contents](#)



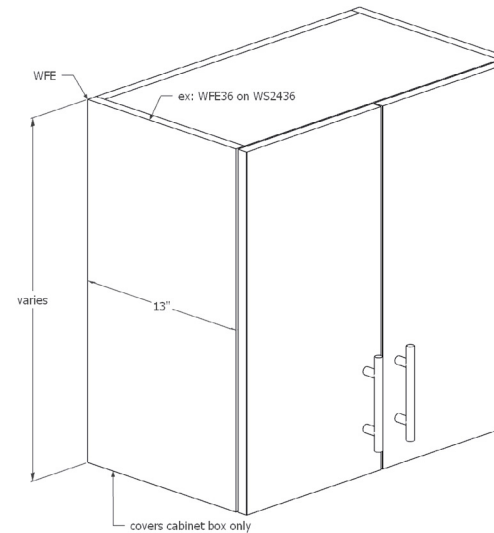
| Product Description  |                |
|--|----------------|
| WMC: Wall Microwave Cabinets with 18"D shelf, #4 finish in 13.5" microwave area, 2 doors |                |
| 30" Height SKU   | 33" Height SKU |
| WMC2730  | WMC2733        |
| WMC3030  |                |
| 36" Height SKU   | 42" Height SKU |
| WMC2436  | WMC2742        |
| WMC2736  | WMC3042        |
| WMC3036  |                |

# Wall Accessories - Side Panels: WSP, Flush End Panels: WFE

[\\*Return to Table of Contents](#)



**Note:** Decorative side panels to match door fronts can be applied using Part: **WSP DECORATIVE L/R** and filling in the height (randging from 15"-42" in 3" increments), depth (13.88" or 24.88"), side (left or right), and door style.



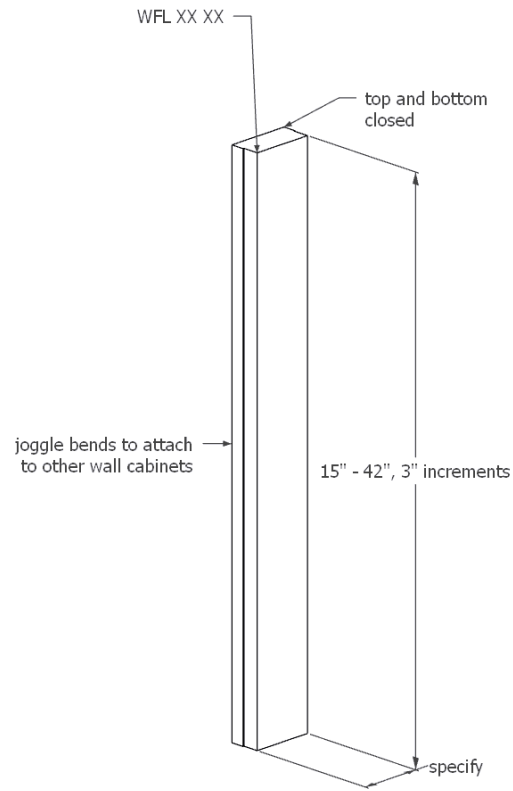
| Product Description   |        |      |
|---|--------|------|
| WSP: 3/4" Thick side panels for wall cabinets. XX"H, panels sit flush with door/drawer faces. Specify based on cabinet side and height. |        |      |
| Example SKUs: WSP15L, WSP24R, WSP36L, WSP42R  |        |      |
| Wall Cabinet Side Panel Nomenclature  |        |      |
| Example: WSP15L   |        |      |
| WSP   | XX     | X    |
| Prefix  | Height | Side |

| Product Description   |
|---|
| Decorative Wall Side Panel. <b>SPECIFY</b> which Wall Cabinet this is being installed on and Door style. Pricing TBD by sales--match decorative OSP cost based on door style. |
| Wall Cabinet Side Panel SKUs  |
| <b>WSP DECORATIVE L</b>   |
| <b>WSP DECORATIVE R</b>   |

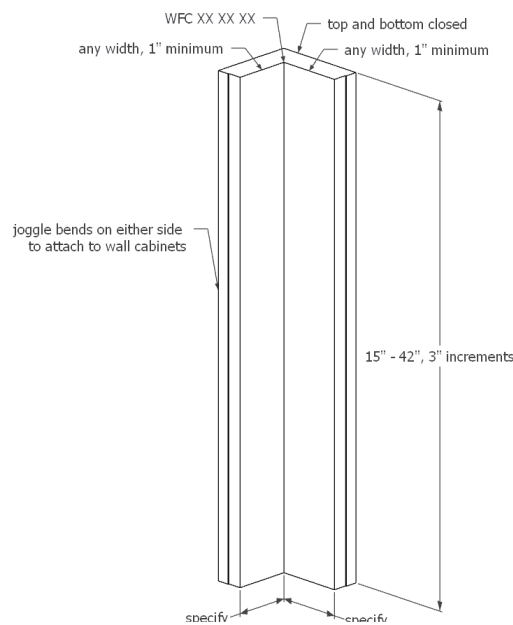
| Product Description  |
|--|
| WFE: Flush side panels for wall cabinets. 13"W, panels sit flush with cabinet box. Specify based on cabinet side and height. |
| Example SKUs: WFE18L, WFE21R, WFE33L, WFE39R   |

# Wall Accessories - Front Fillers: WFL, Corner Fillers: WFC

[\\*Return to Table of Contents](#)



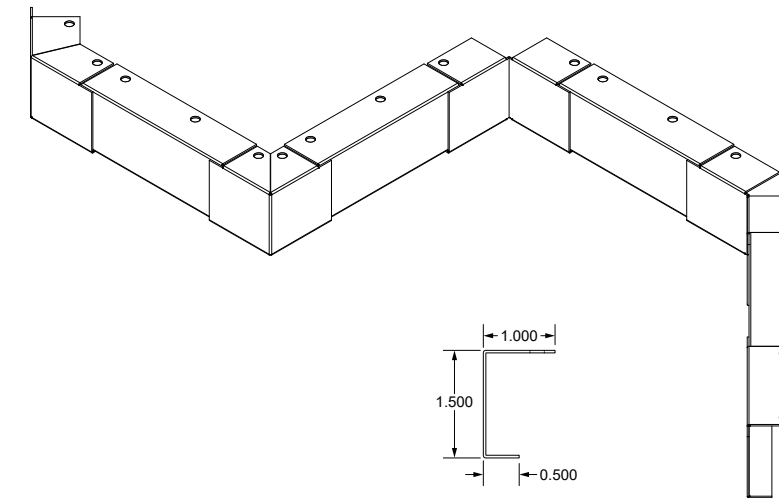
| Product Description   |        |       |  |
|---|--------|-------|--|
| WFL: Wall cabinet front filler, sits flush with door faces, attaches between two wall cabinets. Use this filler when using a wall cabinet as a base cabinet with the addition of a Wall Leg Kit. 1"W minimum, available in 1/8" increments as needed. |        |       |  |
| Wall Cabinet Front Filler Nomenclature  |        |       |  |
| Example: WFL 30 3.75  |        |       |  |
| WFL   | XX     | XX    |  |
| Prefix  | Height | Width |  |
| Example SKUs: WFE18L, WFE21R, WFE33L, WFE39R  |        |       |  |



| Product Description   |        |           |            |
|---|--------|-----------|------------|
| WFC: Wall cabinet front 90-degree corner filler, sits flush with door faces, attaches between two wall cabinets. 2"W overall, 1"W minimum on each side of bend, available in 1/8" increments as needed. |        |           |            |
| Wall Cabinet Front Filler Nomenclature  |        |           |            |
| Example: WFC 24 3.63 2.00   |        |           |            |
| WFC   | XX     | XX        | XX         |
| Prefix  | Height | Left Dim. | Right Dim. |
| Example SKUs: WFC 18 4.00 4.00, WFC 36 3.50 3.00  |        |           |            |

# Wall Accessories - Light Rail: WLR xx yy zz, PVC Cleat

[\\*Return to Table of Contents](#)

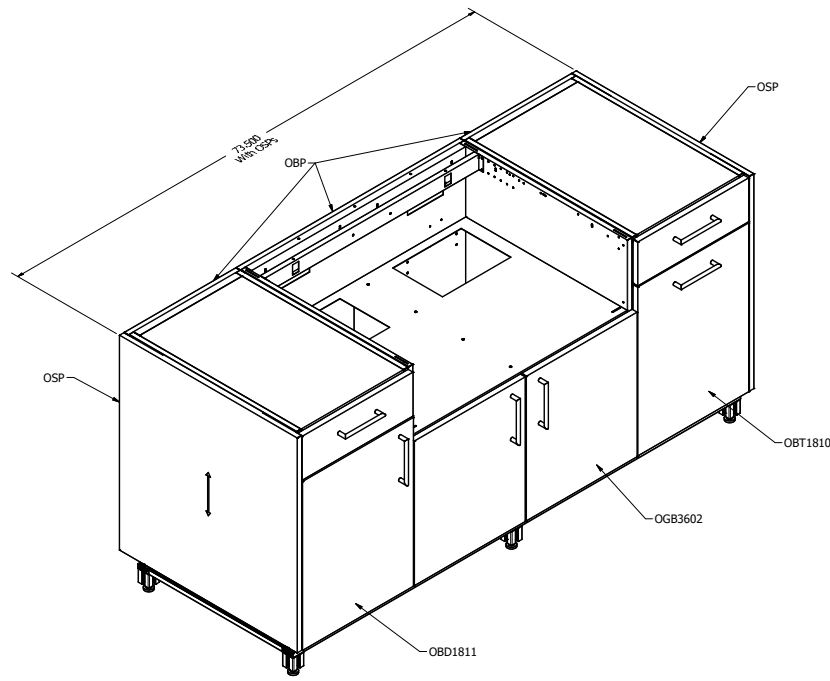


| Product Description  |                  |                    |
|--|------------------|--------------------|
| Light Rail – Stainless light rail for wall cabinets. Comes in 84" lengths, cut onsite as needed. Can be powder coated to match cabinets. |                  |                    |
| SKU  |                  |                    |
| Light Rail   | 1.5"H            | 3.0"H              |
| Straight Length  | WLR STRAIGHT 1.5 | WLR STRAIGHT 3.0   |
| 90-degree inside corner  | WLR 90 IN 1.5    | WLR 90 in 3.0      |
| 90-degree outside corner   | WLR 90 OUT 1.5   | WLR 90 OUT 3.0     |
| 135-degree inside corner   | WLR 135 IN 1.5   | WLR 135 IN 3.0     |
| 135-degree outside corner  | WLR 135 OUT 1.5  | WLR 135 OUT IN 3.0 |
| Straight Splice  | WLR SPLICE 1.5   | WLR SPLICE 3.0     |

| Product Description  |
|--|
| PVC Cleat: Required cleat for hanging wall cabinets. Comes in 60" x 3"H lengths, cut onsite as needed. |

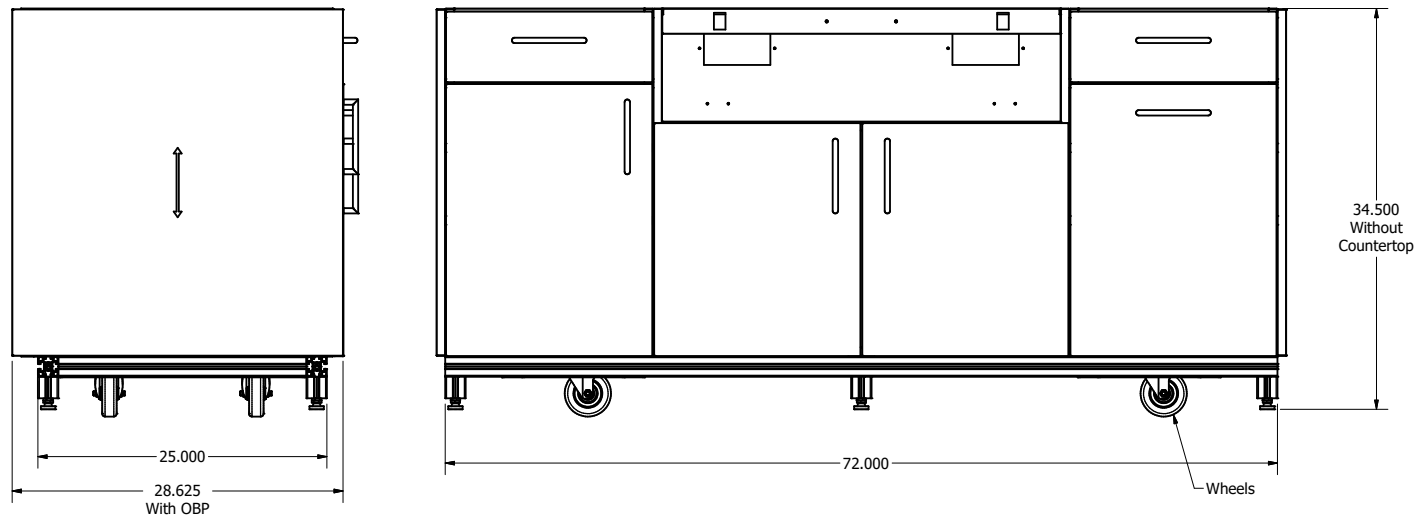
# Rolling Carts

[\\*Return to Table of Contents](#)



6' Rolling Cart W/Cabinets

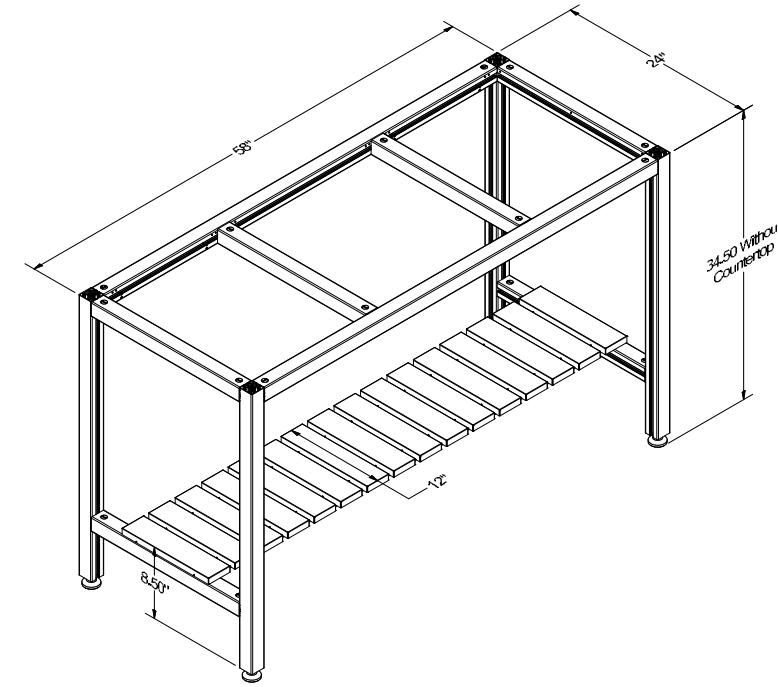
| Product Description   |
|---|
| Rolling Cart w/ locking glides. Add individual 27" depth cabinets and choose applicable options including Rolling Cart Skid. Equal Back Panels (any door style) required for stability. |
| SKU   |
| ROLLING CART 48"  |
| ROLLING CART 54"  |
| ROLLING CART 60"  |
| ROLLING CART 66"  |
| ROLLING CART 72"  |



6' Rolling Cart W/Cabinets

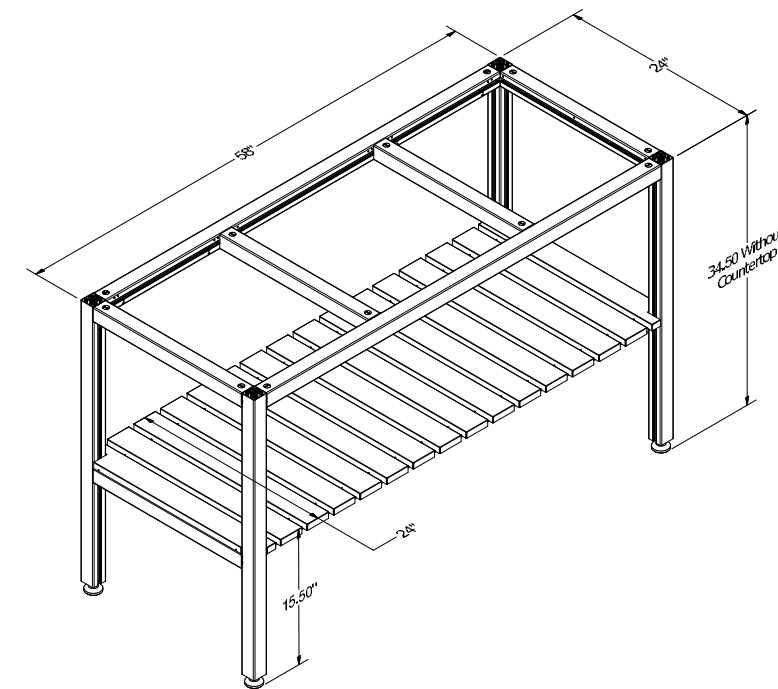
# Cosmopolitan Tables : Eat & Prep

[\\*Return to Table of Contents](#)



Cosmopolitan Table Dining

| Product Description  |
|--|
| Cosmopolitan Dining Table. 58"W x 24"D x 34.5"H without countertop. The feet allow for an extra 1.25" of height adjustment. Midnight Matte powder coated frame. Fixed narrow shelf – 12"W x 8.5"H from floor – with Walnut powder coated decorative slats to allow for stool seating. Up to 3 flat-packed tables PER skid. |
| NOTE: Standard countertop that we provide is 12mm (.5") thick.   |
| NOTE: PC SLATS parts can be powder coated to match an Outdoor Kitchen.   |
| SKU  |
| COSMOPOLITAN EAT   |
| COSMOPOLITAN EAT PC SLATS  |

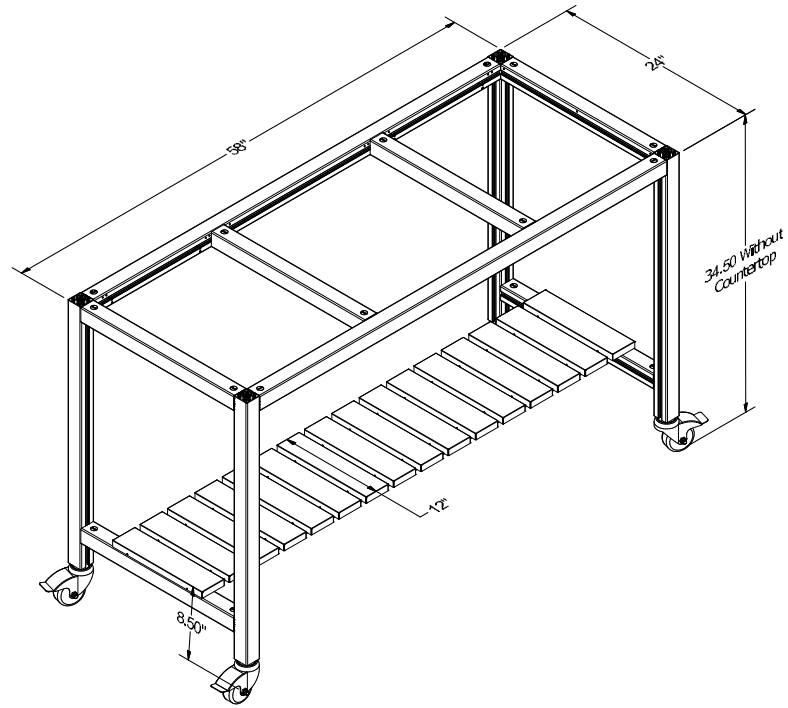


Cosmopolitan Table Prep

| Product Description   |
|---|
| Cosmopolitan Prep Table. 58"W x 24"D x 34.5"H without countertop. The feet allow for an extra 1.25" of height adjustment. Midnight Matte powder coated frame. Fixed shelf – 24"W x 15.5"H from floor – with Walnut powder coated decorative slats. Up to 3 flat-packed tables PER skid. |
| NOTE: Standard countertop that we provide is 12mm (.5") thick.  |
| NOTE: PC SLATS parts can be powder coated to match an Outdoor Kitchen.  |
| SKU   |
| COSMOPOLITAN PREP   |
| COSMOPOLITAN PREP PC SLATS  |

# Cosmopolitan Tables: Eat & Prep with Casters

[\\*Return to Table of Contents](#)

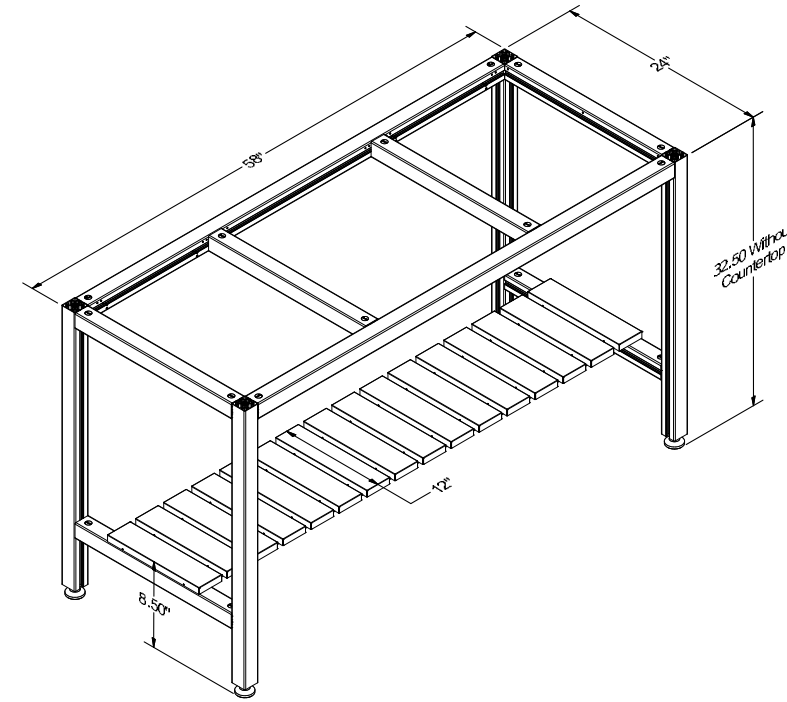


Cosmopolitan Table Dining With Casters

| Product Description   |
|---|
| <p>Cosmopolitan Dining Table with 4x 316 SS locking casters. 58"W x 24"D x 34.5"H without countertop. Midnight Matte powder coated frame. Fixed narrow shelf – 12"W x 8.5"H from floor – with Walnut powder coated decorative slats to allow for stool seating.</p> <p>NOTE: Standard countertop that we provide is 12mm (.5") thick.</p> <p>NOTE: PC SLATS parts can be powder coated to match an Outdoor Kitchen.</p> |
| SKU   |
| COSMOPOLITAN EAT CASTERS  |

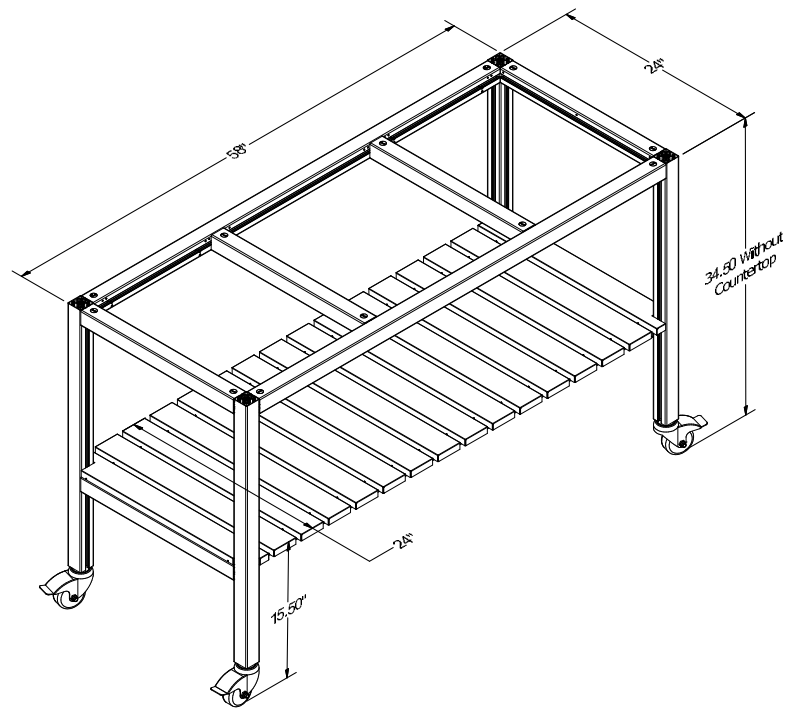
# Cosmopolitan Tables: Eat & Prep ADA

[\\*Return to Table of Contents](#)



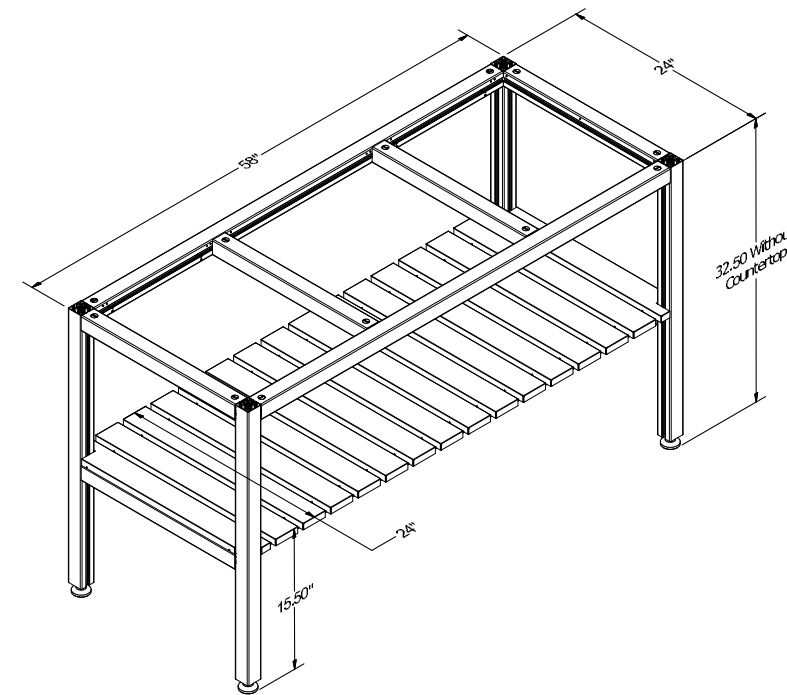
Cosmopolitan Table Dining ADA

| Product Description  |
|--|
| <p>Cosmopolitan Dining Table ADA. 58"W X 24"D X 32.5"H without countertop. The feet allow for an extra 1.25" of height adjustment. Midnight Matte powder coated frame. Fixed narrow shelf – 12"W x 8.5"H from floor – with Walnut powder coated decorative slats to allow for stool seating.</p> <p>NOTE: Standard countertop that we provide is 12mm (.5") thick.</p> <p>NOTE: PC SLATS parts can be powder coated to match an Outdoor Kitchen.</p> |
| SKU  |
| COSMOPOLITAN EAT ADA   |



Cosmopolitan Table Prep With Casters

| Product Description  |
|--|
| <p>Cosmopolitan Prep Table with 4x 316 SS locking casters. 58"W x 24"D x 34.5"H without countertop. Midnight Matte powder coated frame. Fixed shelf – 24"W x 15.5"H from floor – with Walnut powder coated decorative slats.</p> <p>NOTE: Standard countertop that we provide is 12mm (.5") thick.</p> <p>NOTE: PC SLATS parts can be powder coated to match an Outdoor Kitchen.</p> |
| SKU  |
| COSMOPOLITAN PREP CASTERS  |

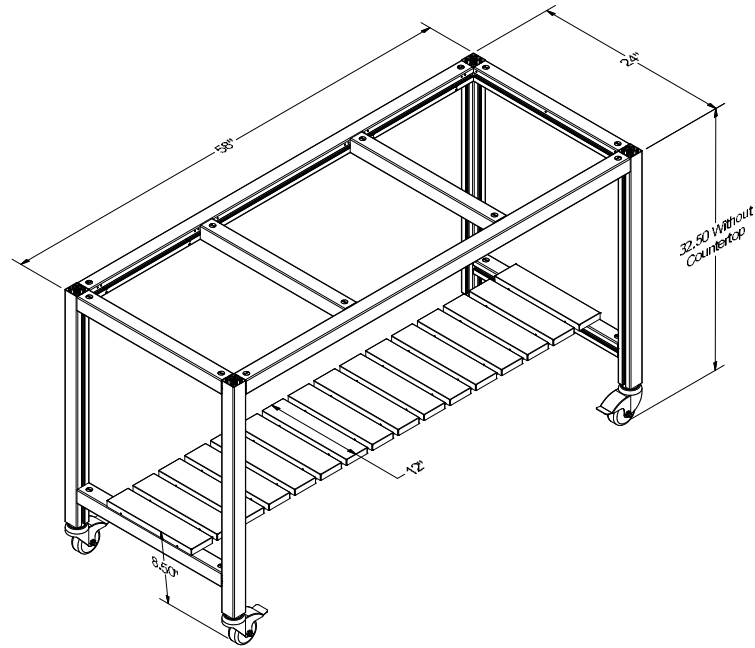


Cosmopolitan Table Prep ADA

| Product Description   |
|---|
| <p>Cosmopolitan Prep Table ADA. 58"W X 24"D X 32.5"H without countertop. The feet allow for an extra 1.25" of height adjustment. Midnight Matte powder coated frame. Fixed shelf – 24"W x 15.5"H from floor – with Walnut powder coated decorative slats.</p> <p>NOTE: Standard countertop that we provide is 12mm (.5") thick.</p> <p>NOTE: PC SLATS parts can be powder coated to match an Outdoor Kitchen.</p> |
| SKU   |
| COSMOPOLITAN PREP ADA   |

# Cosmopolitan Tables: Eat & Prep ADA with Casters

[\\*Return to Table of Contents](#)

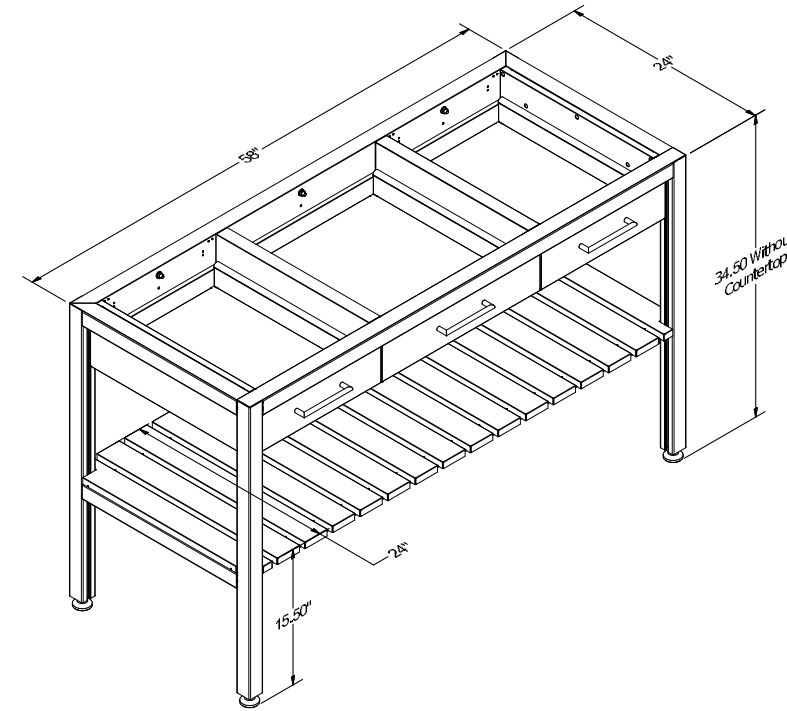


Cosmopolitan Table Dining ADA With Casters

| Product Description  |
|--|
| Cosmopolitan Dining Table ADA with 4x 316 SS locking casters. 58"W X 24"D X 32.5"H without countertop. Midnight Matte powder coated frame. Fixed narrow shelf – 12"W x 8"H from floor – with Walnut powder coated decorative slats to allow for stool seating. |
| NOTE: Standard countertop that we provide is 12mm (.5") thick.   |
| NOTE: PC SLATS parts can be powder coated to match an Outdoor Kitchen.   |
| SKU  |
| COSMOPOLITAN EAT ADA CASTERS   |

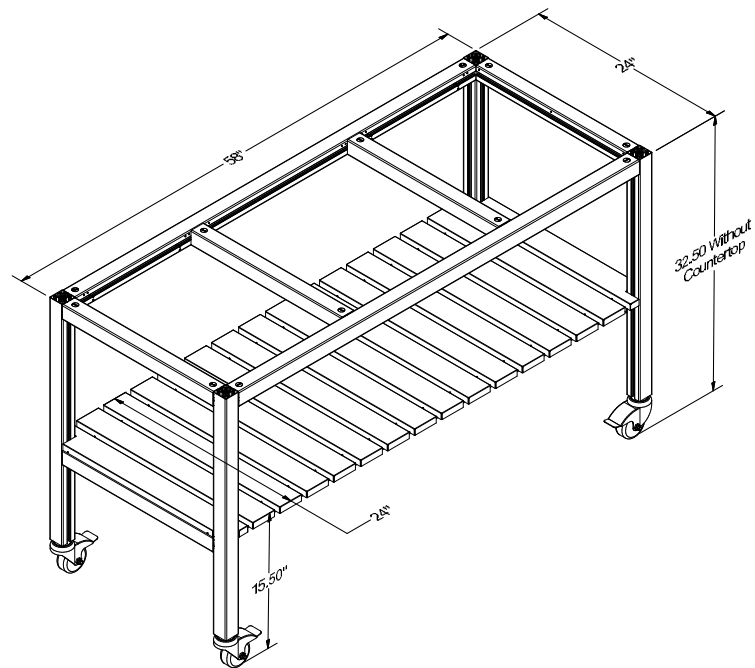
# Cosmopolitan Tables: Store & Cook

[\\*Return to Table of Contents](#)



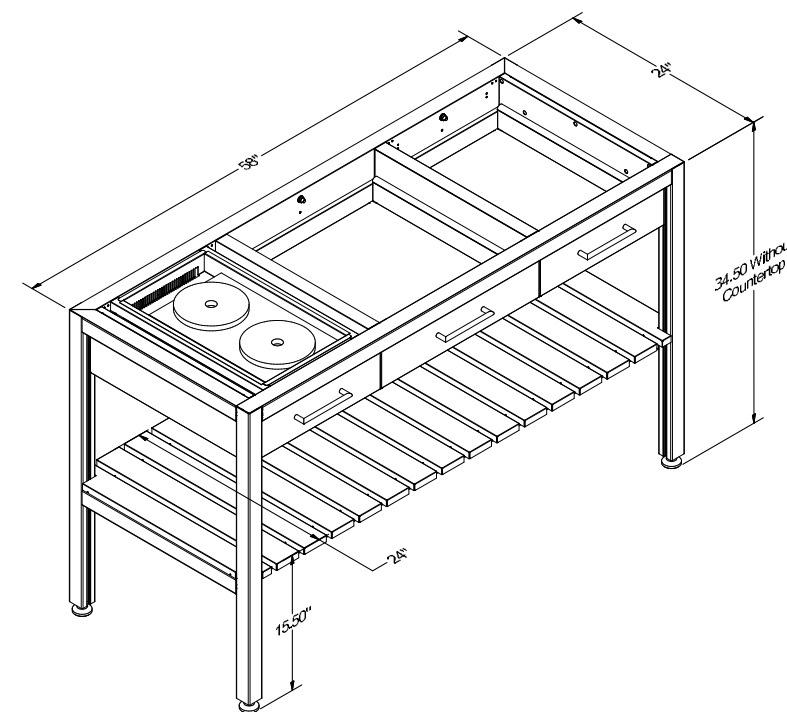
Cosmopolitan Table Storage

| Product Description  |
|--|
| Cosmopolitan Storage Table. 58"W x 24"D x 34.5"H without countertop. The feet allow for an extra 1.25" of height adjustment. Midnight Matte powder coated frame. Fixed shelf –24"W x 15.5"H from floor – with Walnut powder coated decorative slats. Three 6"H storage drawers across tabletop with Walnut powder coated interior. 16"W left side drawer, 21"W middle drawer, and 16"W right side drawer. Up to 3 flat-packed tables PER skid. |
| NOTE: Standard countertop that we provide is 12mm (.5") thick.   |
| NOTE: PC SLATS parts can be powder coated to match an Outdoor Kitchen.   |
| SKU  |
| COSMOPOLITAN STORE   |
| COSMOPOLITAN STORE PC SLATS  |



Cosmopolitan Table Prep ADA With Casters

| Product Description  |
|--|
| Cosmopolitan Prep Table ADA with 4x 316 SS locking casters. 58"W X 24"D X 32.5"H without countertop. Midnight Matte powder coated frame. Fixed shelf –24"W x 15.5"H from floor – with Walnut powder coated decorative slats. |
| NOTE: Standard countertop that we provide is 12mm (.5") thick.   |
| NOTE: PC SLATS parts can be powder coated to match an Outdoor Kitchen.   |
| SKU  |
| COSMOPOLITAN PREP ADA CASTERS  |

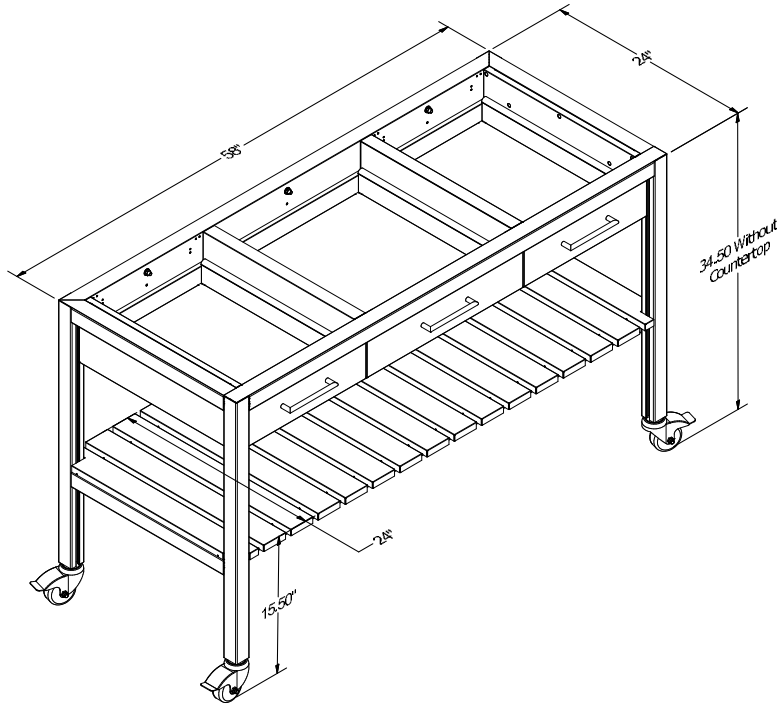


Cosmopolitan Table Cook

| Product Description   |
|---|
| Cosmopolitan Cooking Table. 58"W x 24"D x 34.5"H without countertop. The feet allow for an extra 1.25" of height adjustment. Midnight Matte powder coated frame. Fixed shelf –24"W x 15.5"H from floor – with Walnut powder coated decorative slats. Prepped to fit Invisacook 2-burner induction unit 110V (sold separately). Three 6"H drawers across tabletop with Walnut powder coated interior. 16"W left side drawer with insert for Invisacook control panel and storage behind. 21"W middle storage drawer and 16"W right side storage drawer. Up to 3 flat-packed tables PER skid. |
| NOTE: Standard countertop that we provide is 12mm (.5") thick. This is the maximum thickness for Invisacook to function properly.   |
| NOTE: PC SLATS parts can be powder coated to match an Outdoor Kitchen.  |
| SKU   |
| COSMOPOLITAN COOK   |
| COSMOPOLITAN COOK PC SLATS  |

# Cosmopolitan Tables: Store & Cook with Casters

[\\*Return to Table of Contents](#)

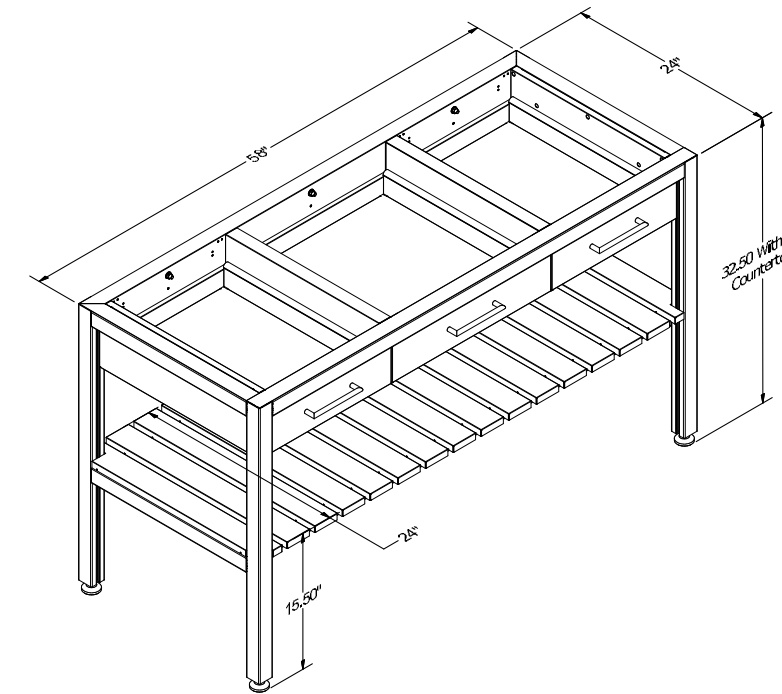


Cosmopolitan Table Storage With Casters

| Product Description   |
|---|
| <p>Cosmopolitan Storage Table with 4x 316 SS locking casters. 58"W x 24"D x 34.5"H without countertop. Midnight Matte powder coated frame. Fixed shelf –24"W x 15.5"H from floor – with Walnut powder coated decorative slats. Three 6"H storage drawers across tabletop with Walnut powder coated interior. 16"W left side drawer, 21"W middle drawer, and 16"W right side drawer.</p> <p>NOTE: Standard countertop that we provide is 12mm (.5") thick.</p> <p>NOTE: PC SLATS parts can be powder coated to match an Outdoor Kitchen.</p> |
| SKU   |
| COSMOPOLITAN STORE CASTERS  |

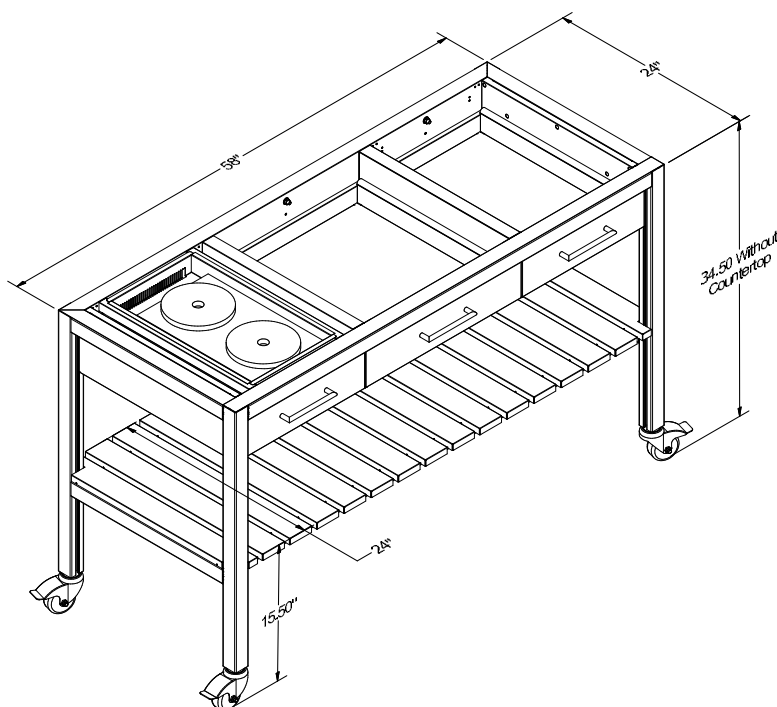
# Cosmopolitan Tables: Store & Cook ADA

[\\*Return to Table of Contents](#)



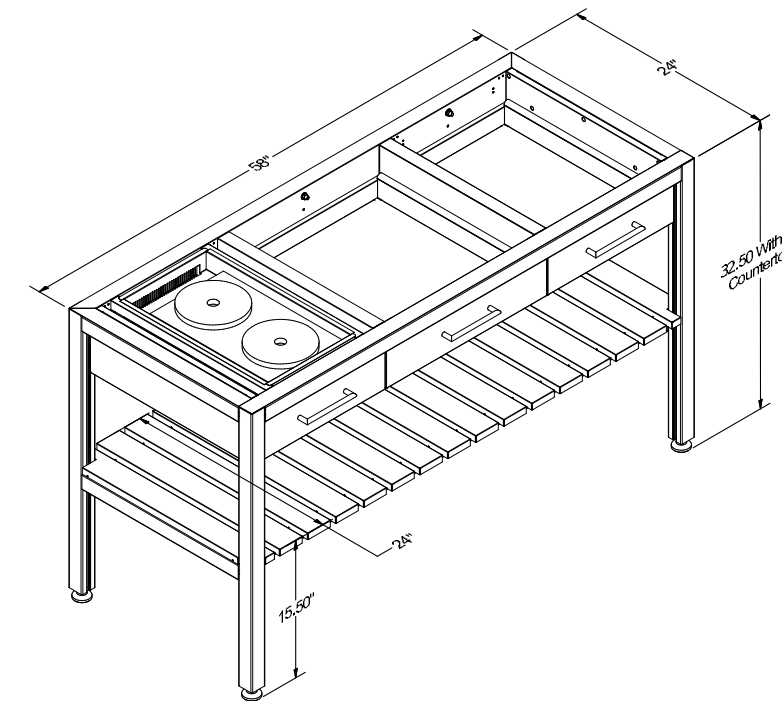
Cosmopolitan Table Storage ADA

| Product Description  |
|--|
| <p>Cosmopolitan Storage Table ADA. 58"W X 24"D X 32.5"H without countertop. The feet allow for an extra 1.25" of height adjustment. Midnight Matte powder coated frame. Fixed shelf –24"W x 15.5"H from floor – with Walnut powder coated decorative slats. Three 6"H storage drawers across tabletop with Walnut powder coated interior. 16"W left side drawer, 21"W middle drawer, and 16"W right side drawer.</p> <p>NOTE: Standard countertop that we provide is 12mm (.5") thick.</p> <p>NOTE: PC SLATS parts can be powder coated to match an Outdoor Kitchen.</p> |
| SKU  |
| COSMOPOLITAN STORE ADA   |



Cosmopolitan Table Cook With Casters

| Product Description  |
|--|
| <p>Cosmopolitan Cooking Table with 4x 316 SS locking casters. 58"W x 24"D x 34.5"H without countertop. Midnight Matte powder coated frame. Fixed shelf –24"W x 14"H from floor – with Walnut powder coated decorative slats. Prepped to fit Invisacook 2-burner induction unit 110V (sold separately: INVISACOOK 2 BURNERS 110V). Three 6"H drawers across tabletop with Walnut powder coated interior. 16"W left side drawer with insert for Invisacook control panel and storage behind. 21"W middle storage drawer and 16"W right side storage drawer.</p> <p>NOTE: Standard countertop that we provide is 12mm (.5") thick. This is the maximum thickness for Invisacook to function properly.</p> <p>NOTE: PC SLATS parts can be powder coated to match an Outdoor Kitchen.</p> |
| SKU  |
| COSMOPOLITAN COOK CASTERS  |



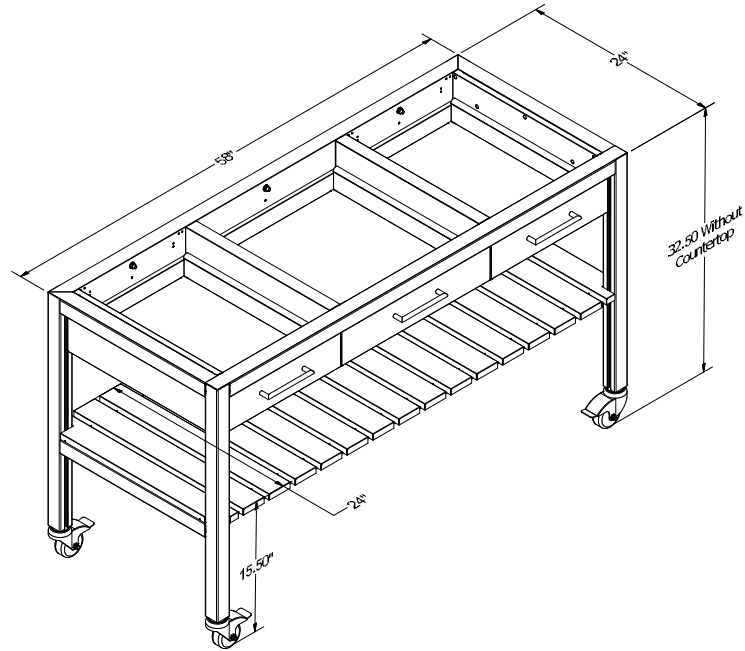
Cosmopolitan Table Cook ADA

| Product Description   |
|---|
| <p>Cosmopolitan Cooking Table ADA. 58"W X 24"D X 32.5"H without countertop. The feet allow for an extra 1.25" of height adjustment. Midnight Matte powder coated frame. Fixed shelf –24"W x 15.5"H from floor – with Walnut powder coated decorative slats. Prepped to fit Invisacook 2-burner induction unit 110V (sold separately: INVISACOOK 2 BURNERS 110V). Three 6"H drawers across tabletop with Walnut powder coated interior. 16"W left side drawer with insert for Invisacook control panel and storage behind. 21"W middle storage drawer and 16"W right side storage drawer.</p> <p>NOTE: Standard countertop that we provide is 12mm (.5") thick. This is the maximum thickness for Invisacook to function properly.</p> <p>NOTE: PC SLATS parts can be powder coated to match an Outdoor Kitchen.</p> |
| SKU   |
| COSMOPOLITAN COOK ADA   |



## Cosmopolitan Tables: Store & Cook ADA with Casters

[\\*Return to Table of Contents](#)

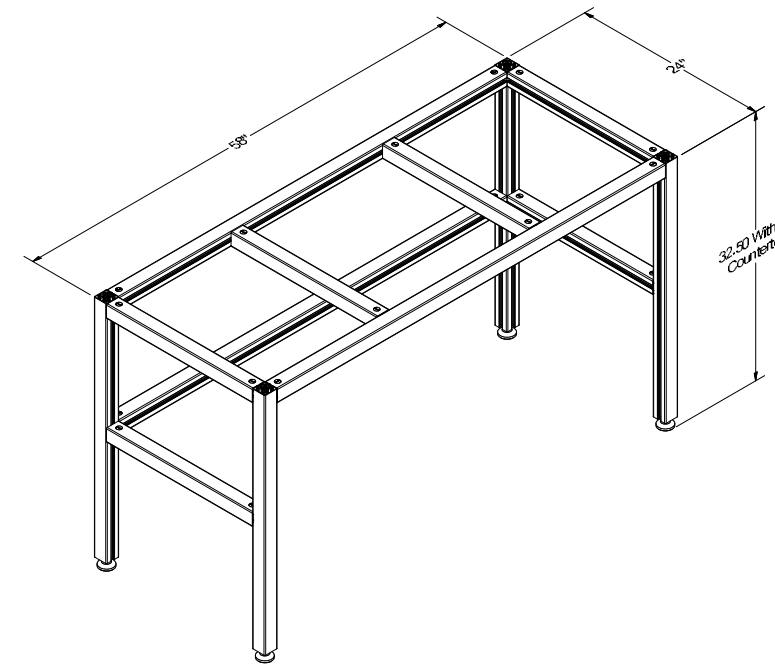


Cosmopolitan Table Storage ADA With Casters

| Product Description   |
|---|
| <p>Cosmopolitan Storage Table ADA with 4x 316 SS locking casters. 58"W X 24"D X 32.5"H without countertop. Midnight Matte powder coated frame. Fixed shelf –24"W x 15.5"H from floor – with Walnut powder coated decorative slats. Three 6"H storage drawers across tabletop with Walnut powder coated interior. 16"W left side drawer, 21"W middle drawer, and 16"W right side drawer.</p> <p>NOTE: Standard countertop that we provide is 12mm (.5") thick.</p> <p>NOTE: PC SLATS parts can be powder coated to match an Outdoor Kitchen.</p> |
| SKU   |
| COSMOPOLITAN STORE ADA CASTERS  |

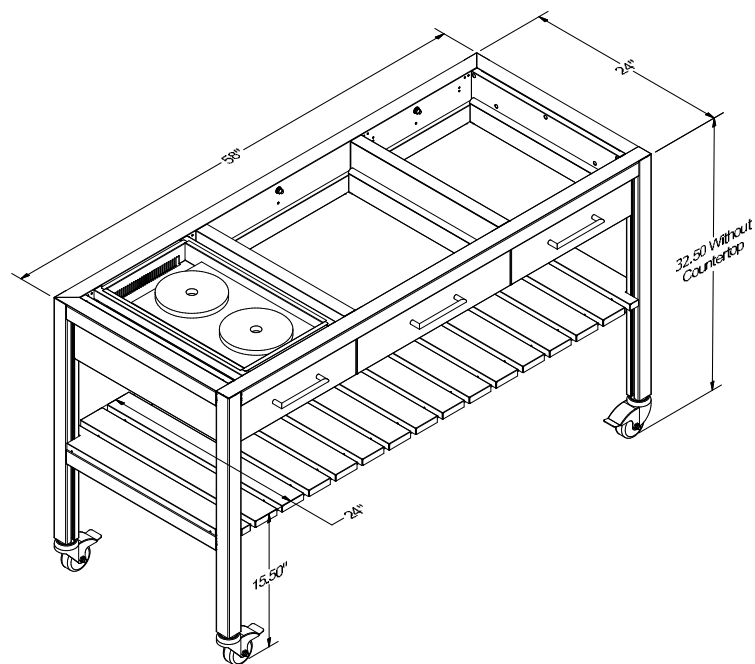
## Cosmopolitan Tables: ADA Wheelchair Access

[\\*Return to Table of Contents](#)



Cosmopolitan Table Wheelchair Access

| Product Description   |
|---|
| <p>Cosmopolitan ADA Wheelchair Access Table. 58"W x 24"D x 32.5"H without countertop. The feet allow for an extra 1.25" of height adjustment. Midnight Matte powder coated frame.</p> <p>NOTE: Standard countertop that we provide is 12mm (.5") thick.</p> |
| SKU   |
| COSMOPOLITAN TABLE ACCESS ADA   |

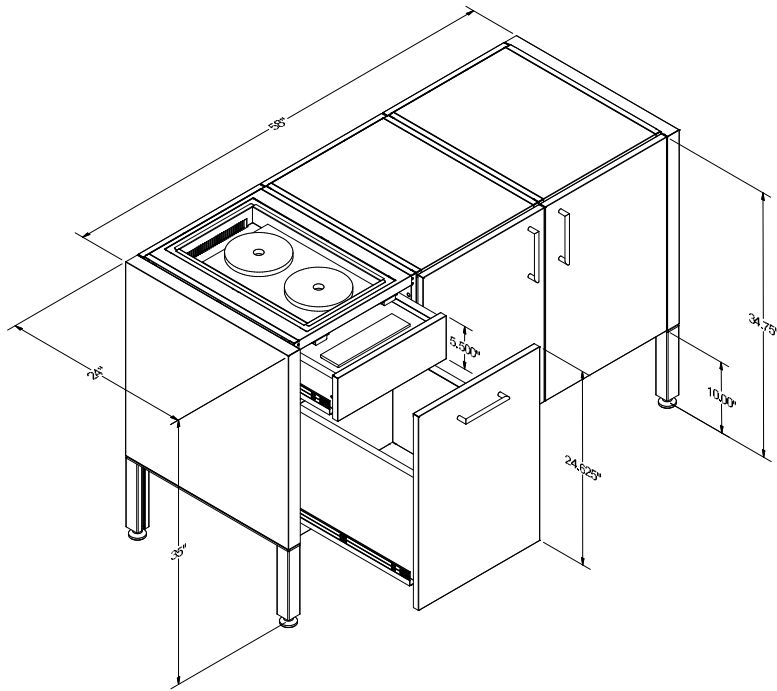


Cosmopolitan Table Cook With Casters ADA

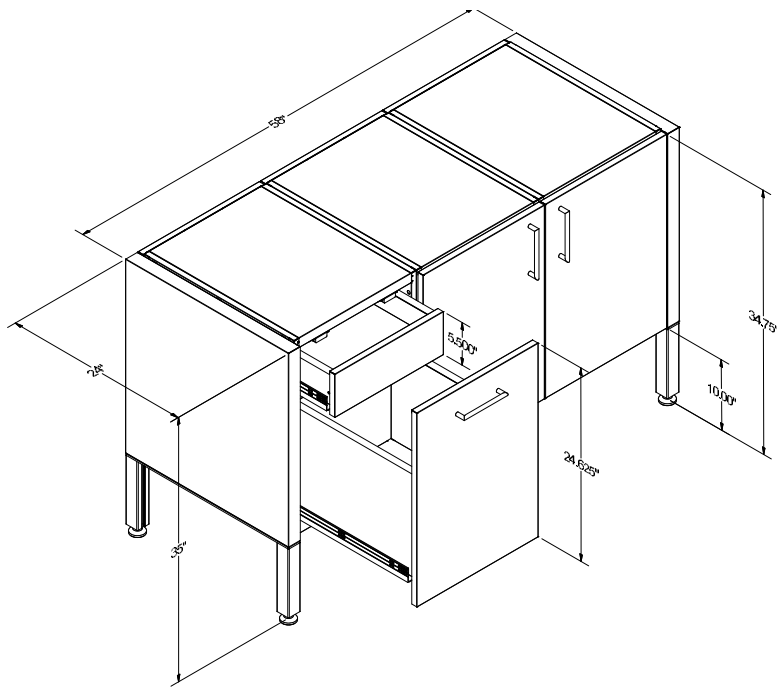
| Product Description  |
|--|
| <p>Cosmopolitan Cooking Table ADA with 4x 316 SS locking casters. 58"W X 24"D X 32.5"H without countertop. Midnight Matte powder coated frame. Fixed shelf –24"W x 15.5"H from floor – with Walnut powder coated decorative slats. Prepped to fit Invisacook 2-burner induction unit 110V (sold separately: INVISACOOK 2 BURNERS 110V). Three 6"H drawers across tabletop with Walnut powder coated interior. 16"W left side drawer with insert for Invisacook control panel and storage behind. 21"W middle storage drawer and 16"W right side storage drawer.</p> <p>NOTE: Standard countertop that we provide is 12mm (.5") thick. This is the maximum thickness for Invisacook to function properly.</p> <p>NOTE: PC SLATS parts can be powder coated to match an Outdoor Kitchen.</p> |
| SKU  |
| COSMOPOLITAN COOK ADA CASTERS  |

# Cosmopolitan Tables: Cosmopolitan Buffet Cook & Buffet Store

[\\*Return to Table of Contents](#)



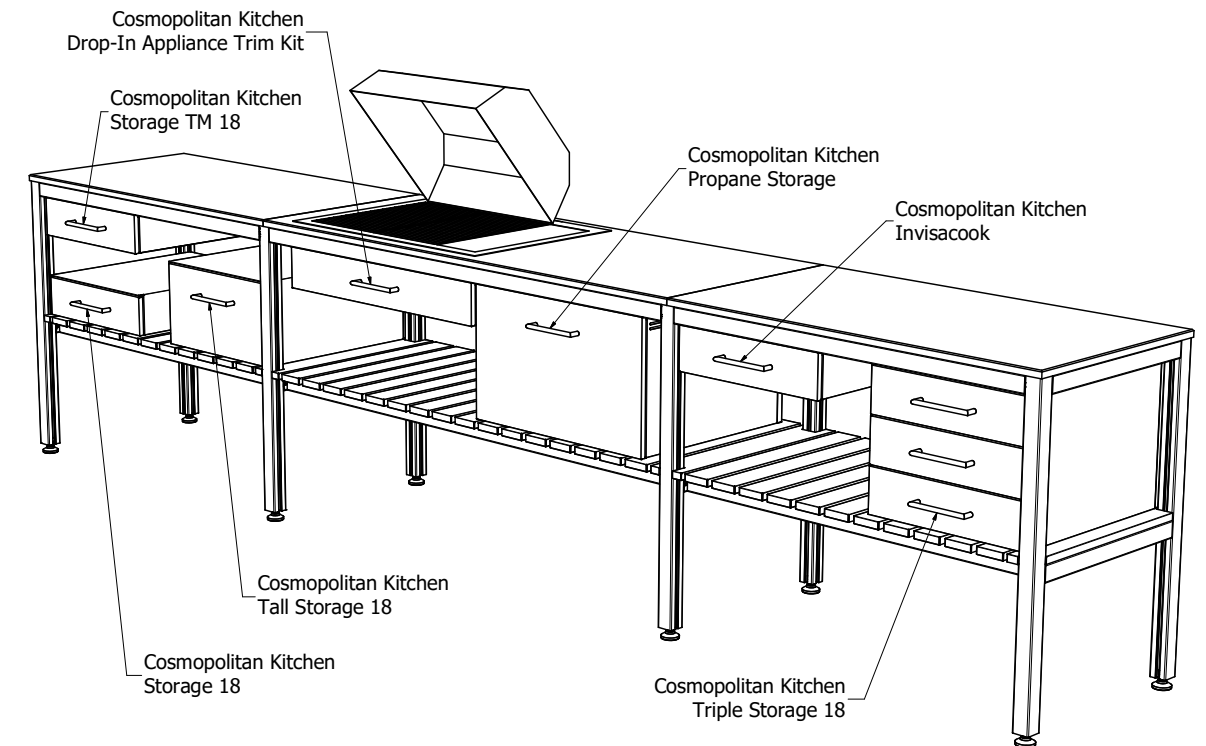
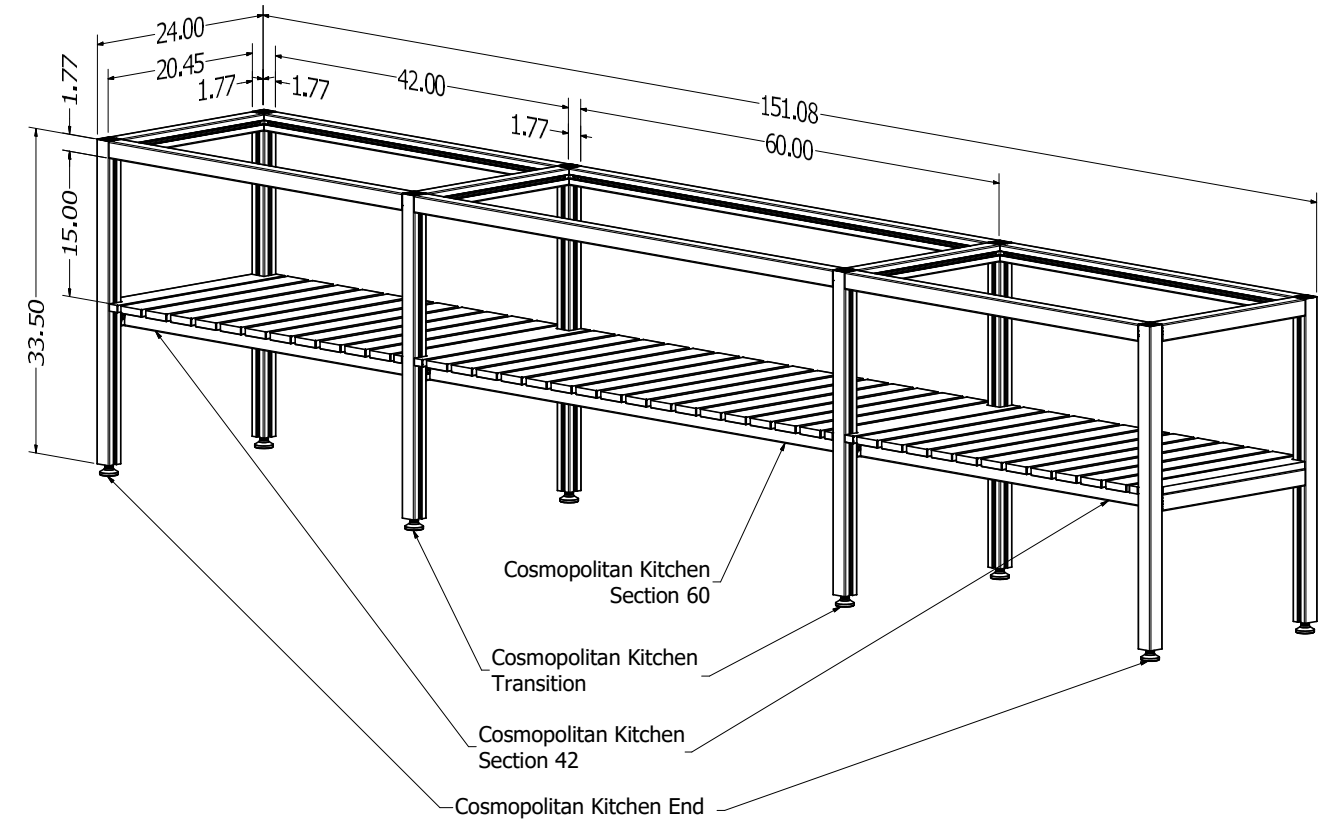
| Product Description   |
|---|
| <p>Cosmopolitan Cooking Buffet. 58"W x 24"D x 35"H. Furniture-inspired, powder coated stainless steel frame-based cabinets with storage. Finished on all four sides. 10"H leg with adjustable foot. Three 18"W cabinets powder coated Midnight Matte with Walnut wood grain drawer box. Buffet drawer box wood grain color can be changed to match an outdoor kitchen wood grain color or existing Dealer Display. Add wood grain color in Part Notes. One left side cabinet with 5.5"H nested drawer and deep storage drawer. Nested drawer is prepped to fit the Invisacook 2-burner induction unit 110V (sold separately). Two storage cabinets, each with a full depth, adjustable shelf.</p> |
| SKU   |
| COSMOPOLITAN BUFFET COOK  |



| Product Description  |
|--|
| <p>Cosmopolitan Storage Buffet. 58"W x 24"D x 35"H. Furniture-inspired, powder coated stainless steel frame-based cabinets with storage. Finished on all four sides. 10"H leg with adjustable foot. Three 18"W cabinets powder coated Midnight Matte with Walnut wood grain drawer box. Buffet drawer box wood grain color can be changed to match an outdoor kitchen wood grain color or existing Dealer Display. Add wood grain color in Part Notes. One left side cabinet with 5.5"H nested storage drawer and a deep storage drawer. Two storage cabinets, each with a full depth, adjustable shelf.</p> |
| SKU  |
| COSMOPOLITAN BUFFET STORE  |

# Cosmopolitan Kitchen: Frame Parts and Accessory Parts

[\\*Return to Table of Contents](#)





Example 1 – Slate slats, Pearl Night Blue boxes



Example 2 – Pearl Night Blue slats, matching boxes



Example 3 – Walnut wood grain slats, Pearl Night Blue boxes

## **Powder Coat Options and Restrictions**

Cosmopolitan Kitchen parts are unique because they do not require a 25% Powder Coat Upcharge or 35% Wood Grain Powder Coat Upcharge like standard base cabinets. Cosmopolitan Kitchens should be designed from left to right like an outdoor kitchen. Please follow the instructions below to specify powder coat for each part in this collection.

### Default Colors

Frame: Midnight Matte.

Drawer Interior: Walnut -OR- color to match Wood Grain slat selection if specified.

### Selection 1 – Slat Color

Specify a Powder Coat Color or Wood Grain Color under Part Notes.

Powder Coat Example: Slate.

Wood Grain Powder Coat Example: Walnut.

### Selection 2 – Exterior Box Color

Specify a Powder coat Color under Part Notes. The same powder coat color may be specified that was applied to Slats.

Powder Coat Example: Pearl Night Blue.

\*Note: Wood Grain is unavailable for Exterior Boxes.

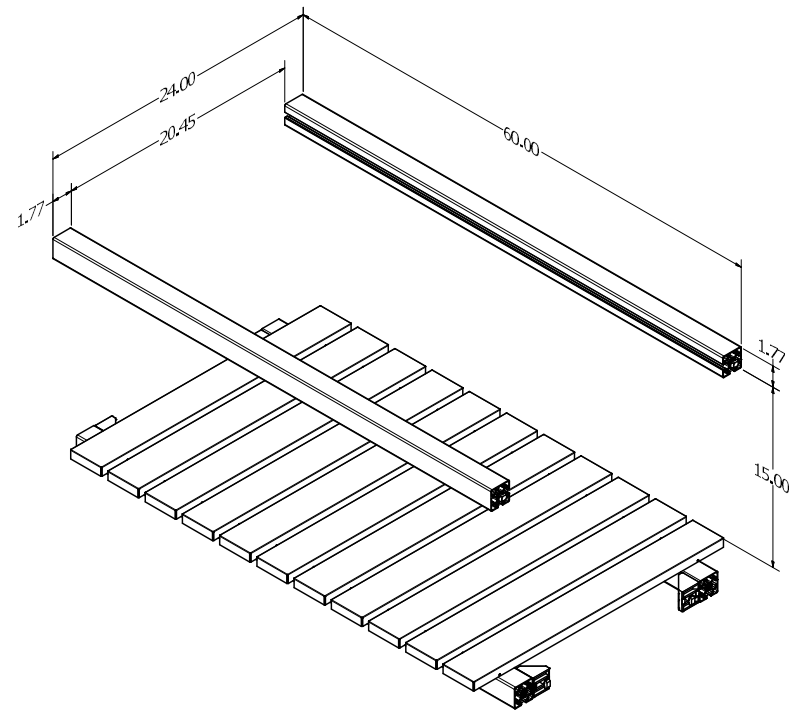
\*Note: Maximum of **TWO** powder coat colors may be specified per Cosmopolitan Kitchen.

Example: 1 Wood Grain/Powder Coat Slat Selection & 1 Exterior Box Selection

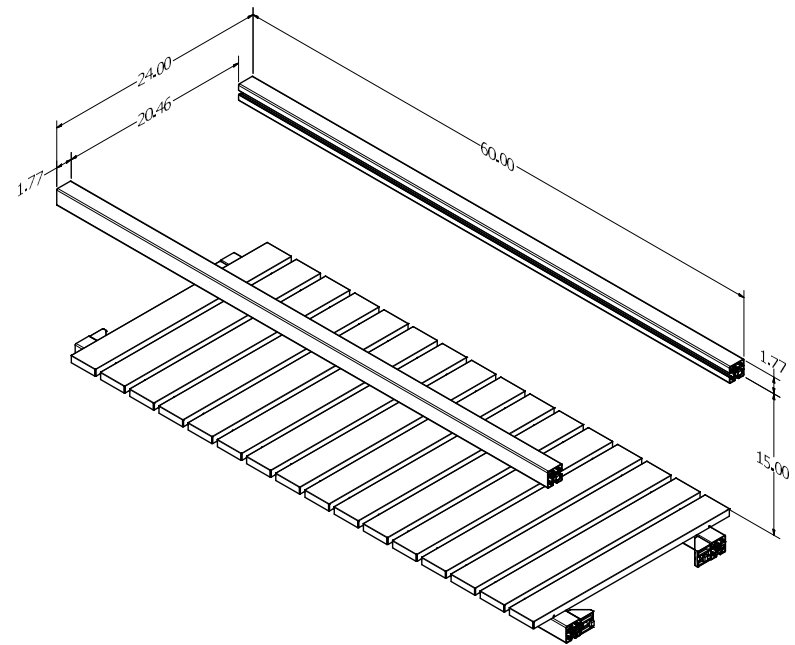
(Multiple exterior selections or slat selections are not allowed.)

# Cosmopolitan Kitchen: Section 42 and Section 60

[\\*Return to Table of Contents](#)



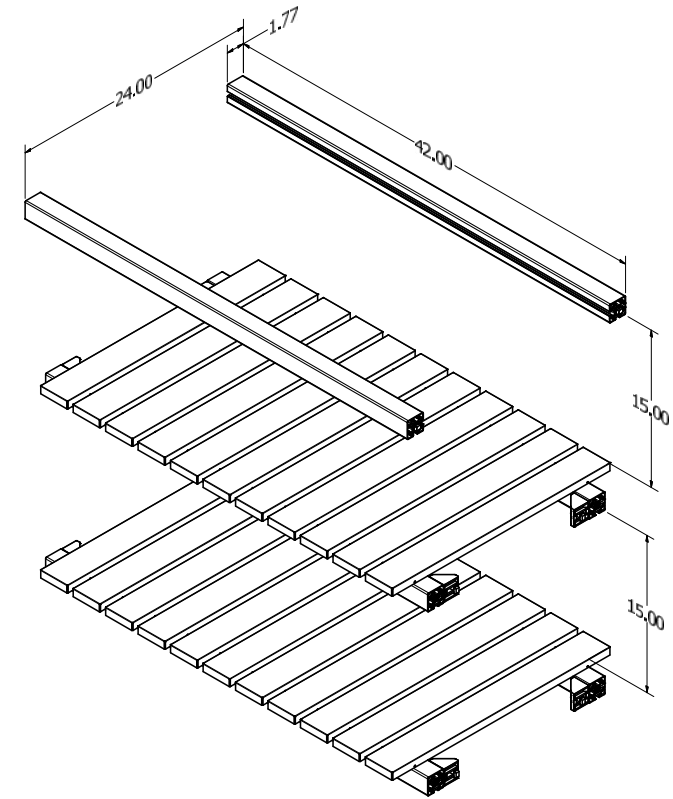
| Product Description  |
|--|
| Cosmopolitan Kitchen Section 42 - 42"W x 24"D frame section. Attaches to Cosmopolitan Kitchen Transition or Cosmopolitan Kitchen End. Slats: specify one Powder Coat or Wood Grain color for Kitchen Sections under Part Notes at no charge. |
| SKU  |
| COSMOPOLITAN KITCHEN SECTION 42  |



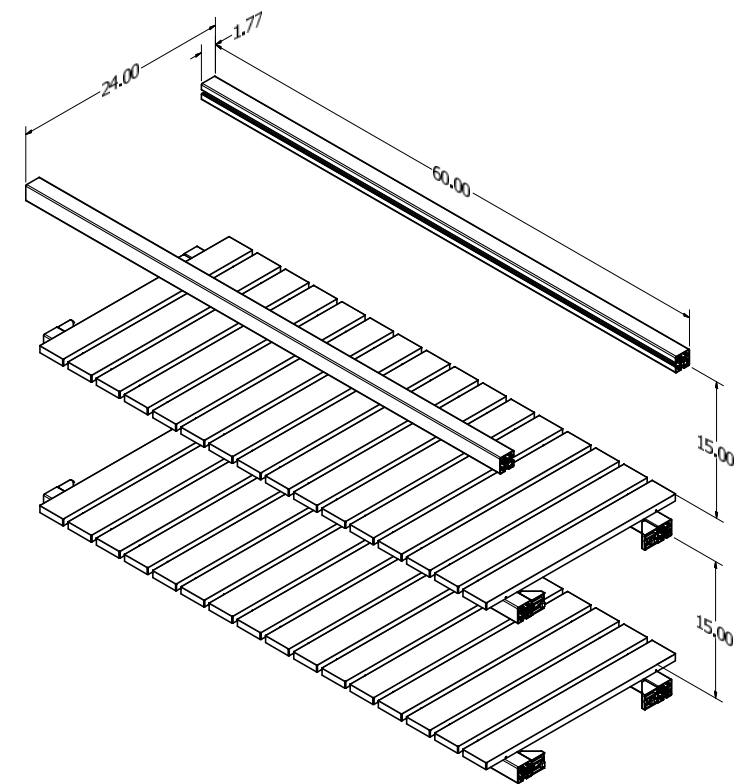
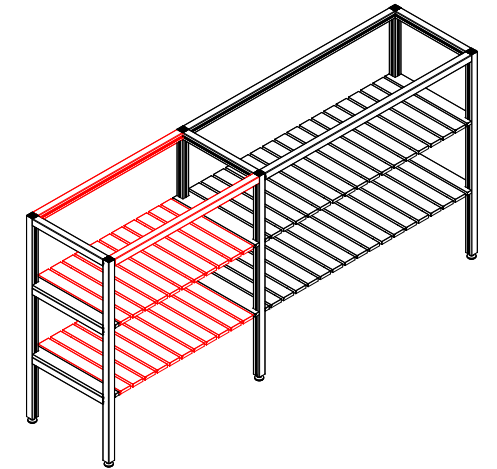
| Product Description  |
|--|
| Cosmopolitan Kitchen Section 60 - 60"W x 24"D frame section. Attaches to Cosmopolitan Kitchen Transition or Cosmopolitan Kitchen End. Slats: specify one Powder Coat or Wood Grain color for Kitchen Sections under Part Notes at no charge. |
| SKU  |
| COSMOPOLITAN KITCHEN SECTION 60  |

# Cosmopolitan Kitchen: Tall Section 42 and Tall Section 60

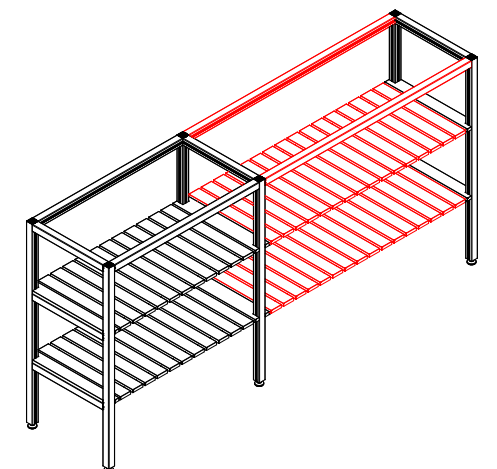
[\\*Return to Table of Contents](#)



| Product Description  |
|--|
| Cosmopolitan Kitchen Section 42 - 42"W x 24"D frame section. Attaches to Cosmopolitan Kitchen Transition or Cosmopolitan Kitchen End. Slats: specify one Powder Coat or Wood Grain color for Kitchen Sections under Part Notes at no charge. |
| SKU  |
| COSMOPOLITAN KITCHEN TALL SECTION 42   |

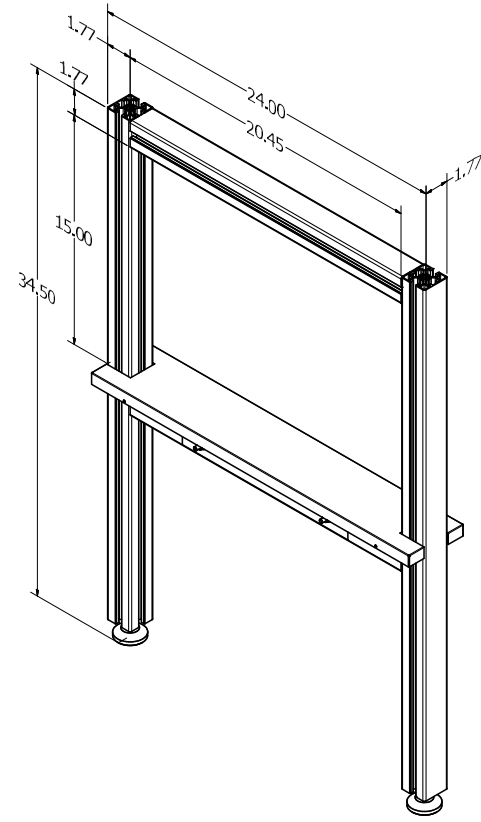


| Product Description  |
|--|
| Cosmopolitan Kitchen Section 60 - 60"W x 24"D frame section. Attaches to Cosmopolitan Kitchen Transition or Cosmopolitan Kitchen End. Slats: specify one Powder Coat or Wood Grain color for Kitchen Sections under Part Notes at no charge. |
| SKU  |
| COSMOPOLITAN KITCHEN TALL SECTION 60   |

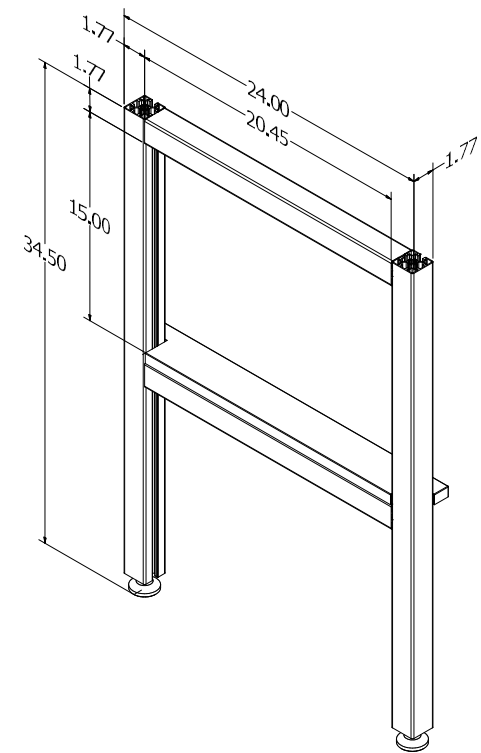


# Cosmopolitan Kitchen: Transition and End

[\\*Return to Table of Contents](#)



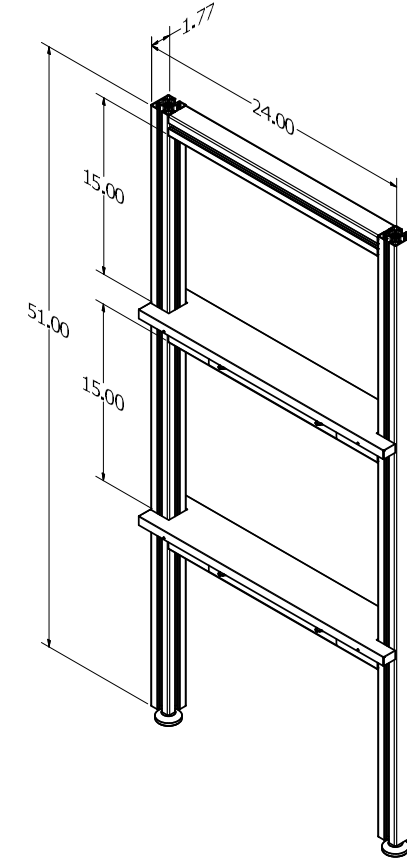
| Product Description   |
|---|
| Cosmopolitan Kitchen Transition - 1.77"W x 34.5"H x 24"D Frame Middle Transition to be used between two Section pieces. Slat will match powdercoat color on adjacent Section. |
| SKU   |
| COSMOPOLITAN KITCHEN TRANSITION   |



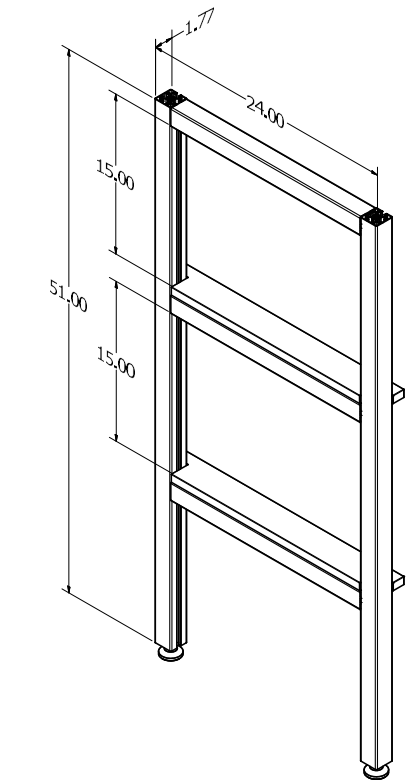
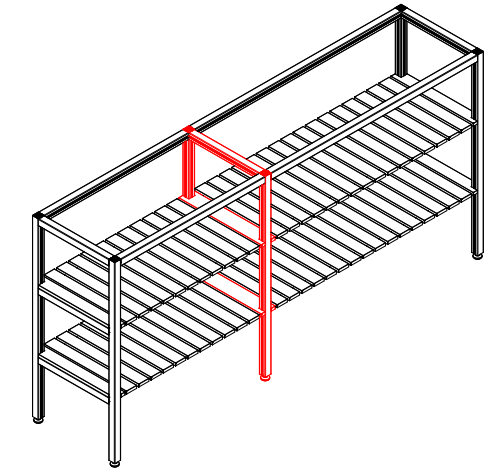
| Product Description   |
|---|
| Cosmopolitan Kitchen End - 1.77"W x 34.5"H x 24"D Frame End to be used next to a Section piece. Slat will match powdercoat color on adjacent Section. |
| SKU   |
| COSMOPOLITAN KITCHEN END  |

# Cosmopolitan Kitchen: Tall Transition and Tall End

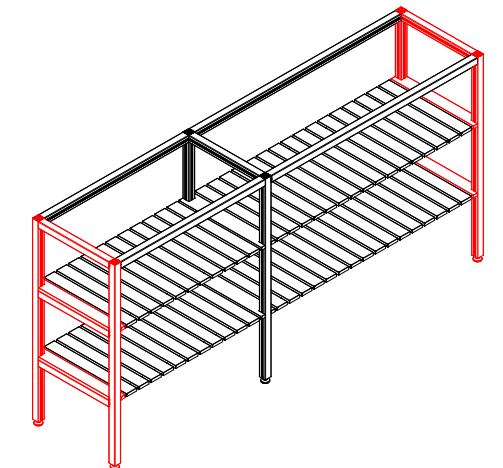
[\\*Return to Table of Contents](#)



| Product Description  |
|--|
| Cosmopolitan Kitchen Tall Transition - 1.77"W x 51"H x 24"D Frame Middle Transition to be used between two Section pieces. Slat will match powdercoat color on adjacent Section. |
| SKU  |
| COSMOPOLITAN KITCHEN TALL TRANSITION   |

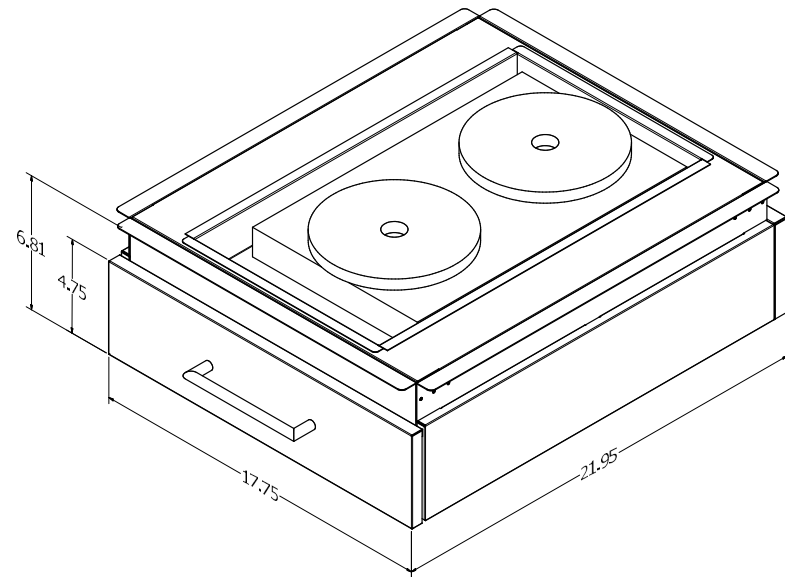


| Product Description  |
|--|
| Cosmopolitan Kitchen Tall End - 1.77"W x 51"H x 24"D Frame End to be used next to a Section piece. Slat will match powdercoat color on adjacent Section. |
| SKU  |
| COSMOPOLITAN KITCHEN TALL END  |

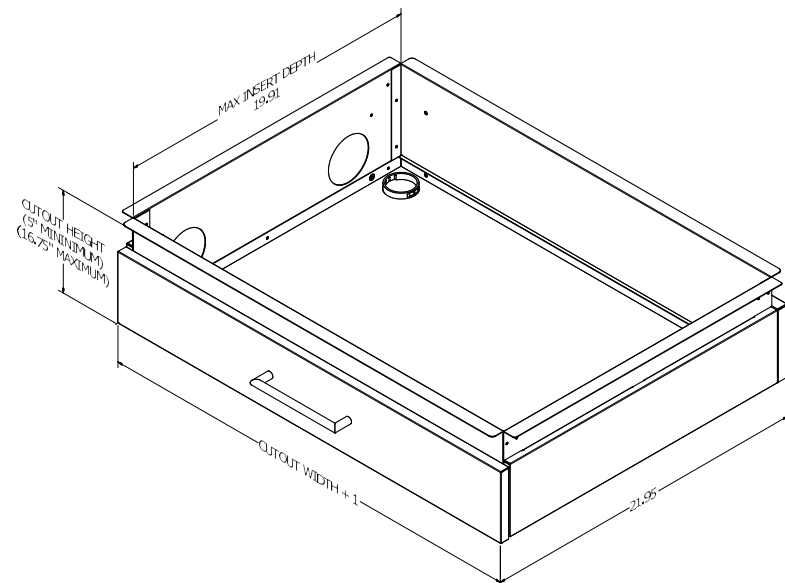


# Cosmopolitan Kitchen: Invisacook and Trim Kit Shell

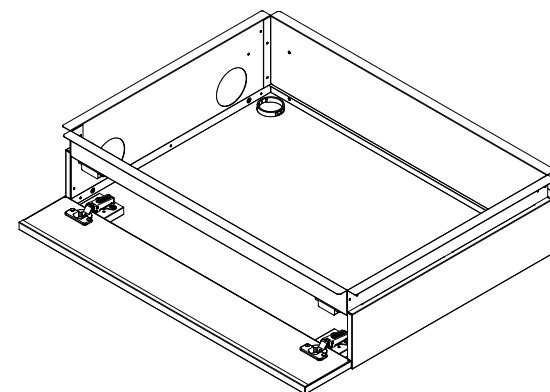
[\\*Return to Table of Contents](#)



| Product Description  |
|--|
| Cosmopolitan Kitchen Invisacook - 17.75"W x 6.8"H x 22"D Trim kit to house Invisacook unit with a purpose-built storage box. Interior: Walnut woodgrain OR match woodgrain Slat selection. Exterior: specify a Powder Coat Color under Part Notes, wood grain unavailable. |
| SKU  |
| COSMOPOLITAN KITCHEN INVISACOOK  |

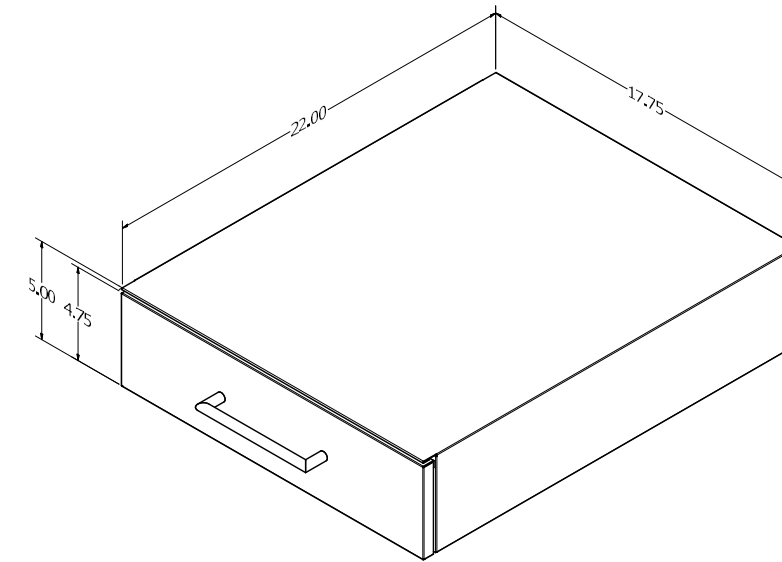


| Product Description  |
|--|
| Cosmopolitan Kitchen Trim Shell - generic shell to house drop-in appliances ONLY. Max drop-in cutout height=16.75", max depth=19.9". List manufacturer name, model, and cutout specs in Notes. Interior: Walnut woodgrain OR match woodgrain Slat selection. Exterior: specify a Powder Coat Color under Part Notes, wood grain unavailable. |
| SKU  |
| COSMOPOLITAN TRIM KIT SHELL  |

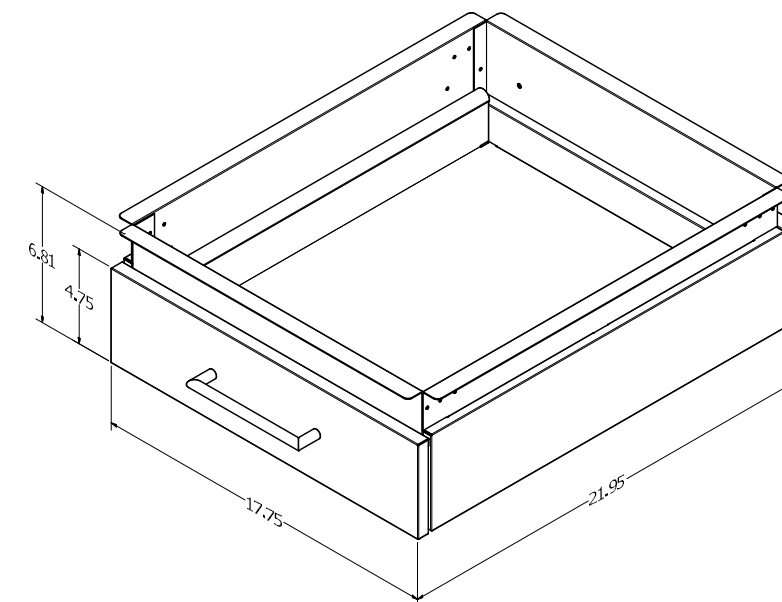


# Cosmopolitan Kitchen: Storage 18 and Storage TM 18

[\\*Return to Table of Contents](#)



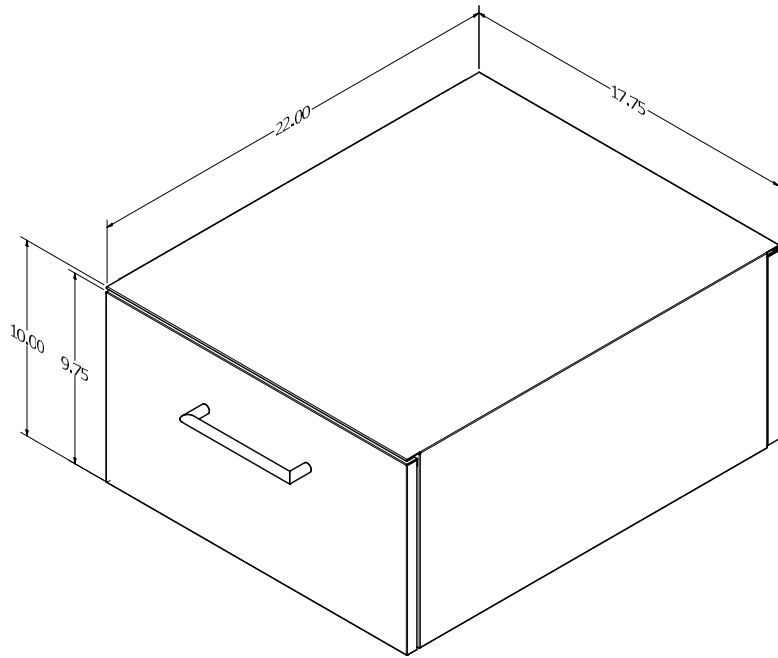
| Product Description   |
|---|
| Cosmopolitan Kitchen Storage 18 - 17.75"W x 5"H x 22"D Single storage drawer box. Attaches to Cosmopolitan Kitchen shelf. Interior: Walnut woodgrain OR match woodgrain Slat selection. Exterior: specify a Powder Coat Color under Part Notes, wood grain unavailable. |
| SKU   |
| COSMOPOLITAN KITCHEN STORAGE 18   |



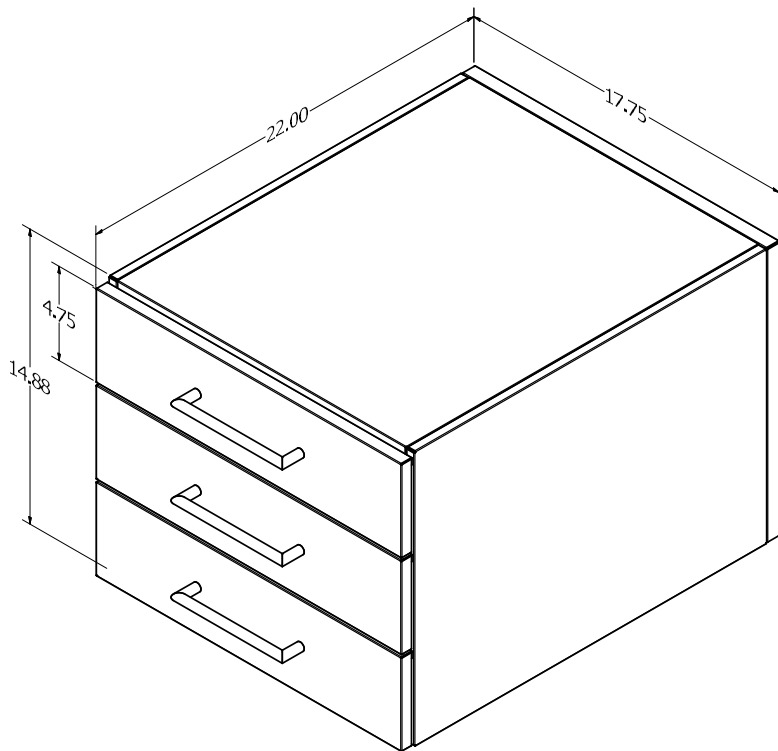
| Product Description  |
|--|
| Cosmopolitan Kitchen Storage TM 18 - 17.75"W x 6.8"H x 22"D Top mounted single storage drawer box to Cosmopolitan Kitchen frame. Interior: Walnut woodgrain OR match woodgrain Slat selection. Exterior: specify a Powder Coat Color under Part Notes, wood grain unavailable. |
| SKU  |
| COSMOPOLITAN KITCHEN STORAGE TM 18   |

## Cosmopolitan Kitchen: Tall Storage 18 and Triple Storage 18

[\\*Return to Table of Contents](#)



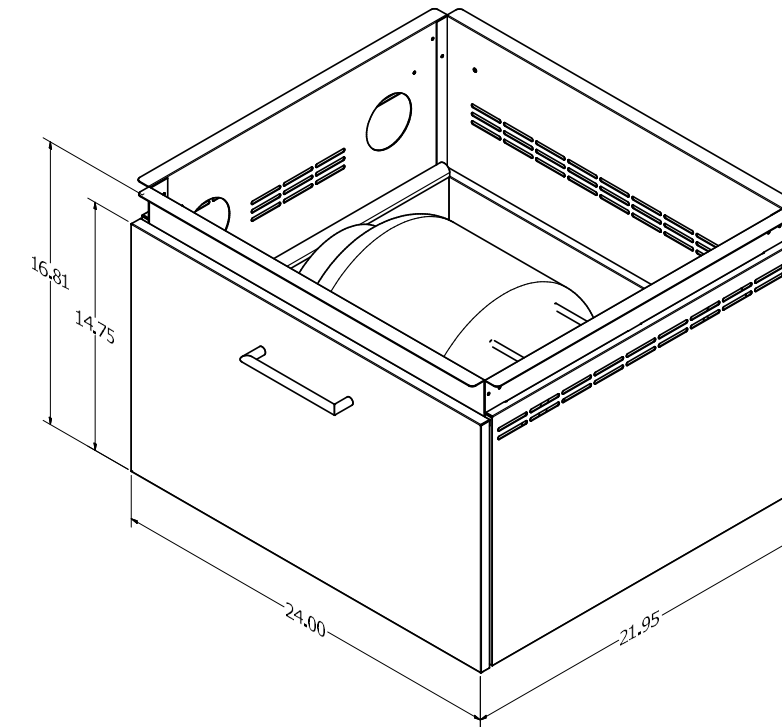
| Product Description   |
|---|
| Cosmopolitan Kitchen Tall Storage 18 - 17.75"W x 10"H x 22"D single storage drawer box. Attaches to Cosmopolitan Kitchen shelf. Interior: Walnut woodgrain OR match woodgrain Slat selection. Exterior: specify a Powder Coat Color under Part Notes, wood grain unavailable. |
| SKU   |
| COSMOPOLITAN KITCHEN TALL STORAGE 18  |



| Product Description  |
|--|
| Cosmopolitan Kitchen Triple Storage 18 - 17.75"W x 14.88"H x 22"D Triple storage drawer box. Attaches to Cosmopolitan Kitchen shelf. Interior: Walnut woodgrain OR match woodgrain Slat selection. Exterior: specify a Powder Coat Color under Part Notes, wood grain unavailable. |
| SKU  |
| COSMOPOLITAN KITCHEN TRIPLE STORAGE 18   |

## Cosmopolitan Kitchen: Propane Storage

[\\*Return to Table of Contents](#)



| Product Description  |
|--|
| Cosmopolitan Kitchen Propane Storage - 24"W x 16.8"H x 22"D houses a Flame King YSN201HZL 20lb horizontal propane tank (not included). Vertical tanks cannot be used. Cosmopolitan Kitchen Trim Shell must be adjacent to this unit. Interior: Walnut woodgrain OR match woodgrain Slat selection. Exterior: specify a Powder Coat Color under Part Notes, wood grain unavailable. |
| SKU  |
| COSMOPOLITAN KITCHEN PROPANE STORAGE   |

# Island Insert Cabinets

[\\*Return to Table of Contents](#)

Designers and builders of masonry island kitchens are now offered a complete line of door, drawer/door, drawer combinations and pullout cabinetry to construct a totally functional kitchen. The line features the optional Clean-Stor® box that attaches to door fronts to create useful storage and organization. The Clean-Stor box eliminates the infamous “masonry black hole” that lurks behind access doors. The steel construction is superior to presently used insert materials that are subject to warping, rotting and mildew. The Clean-Stor box comes with a shelf and provides clean dry storage.

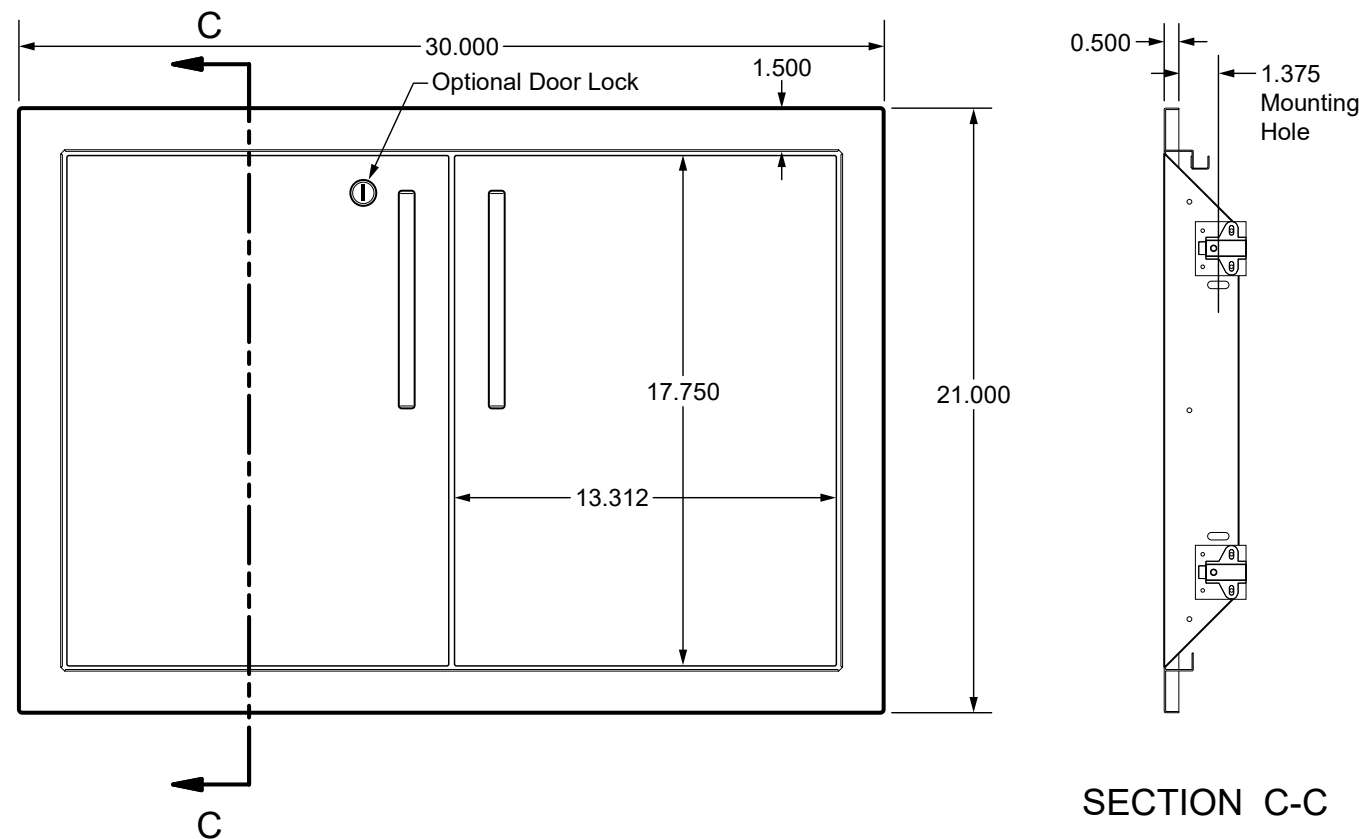
Doors exhibit the same stainless quality, “heft & weight” and solid close as the modular cabinetry line allowing additional design flexibility by using both lines to create the ideal kitchen while retaining a consistent “look”.

Door and drawer faces can be upgraded to any door style and be powder coated to compliment your outdoor kitchen.

The insert line includes:

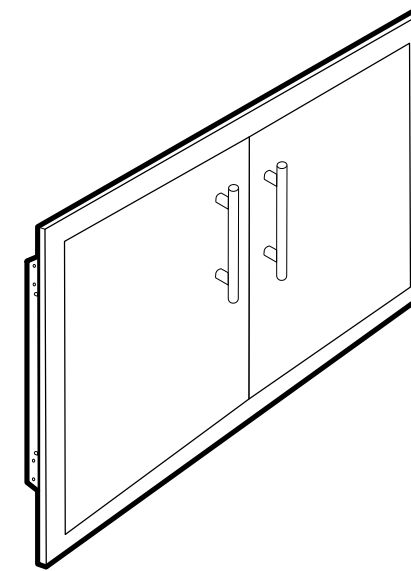
- One and Two Drawer Units
- Door and Drawer Combination Units
- One and Two Door (and frame) Units
- Paper Towel Dispenser
- Trash and Propane Pullouts

Access Door Inserts may be purchased with just the frame and doors or combined with the “Clean-Stor” box as a complete unit.



# Island Insert Cabinets - Access Doors: IDRxxzz-1, IDRxxzz-2

[\\*Return to Table of Contents](#)

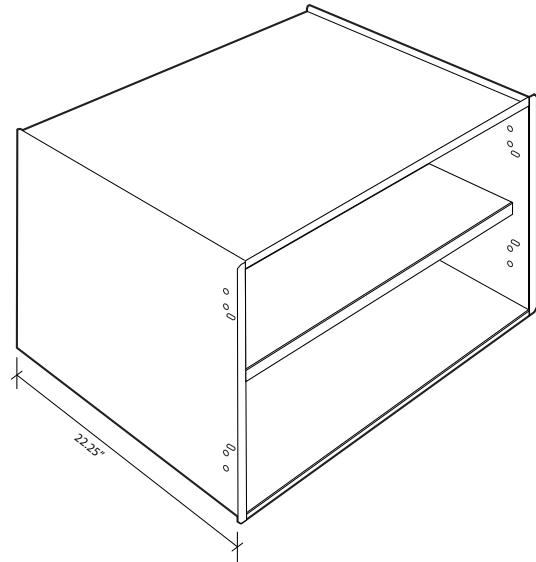


| Product Description |   |  |
|---------------------|---|--|
| IDR: Access Door    |   |  |
| SKU                 |   |  |
| SKU                 | Description                                     | Cut Out Size   |
| IDR1621-1           | 16"W x 21"H<br>Frame, One Flush<br>Access Door  | 13 <sup>5</sup> / <sub>8</sub> "W x<br>19 <sup>1</sup> / <sub>2</sub> "H |
| IDR1725-1           | 17"W x 25"H<br>Frame, One Flush<br>Access Door  | 14 <sup>5</sup> / <sub>8</sub> "W x<br>23 <sup>1</sup> / <sub>2</sub> "H |
| IDR2121-1           | 21"W x 21"H<br>Frame, One Flush<br>Access Door  | 18 <sup>5</sup> / <sub>8</sub> "W x<br>19 <sup>1</sup> / <sub>2</sub> "H |
| IDR2721-2           | 27"W x 21"H<br>Frame, Two Flush<br>Access Doors | 24 <sup>5</sup> / <sub>8</sub> "W x<br>19 <sup>1</sup> / <sub>2</sub> "H |
| IDR3021-2           | 30"W x 21"H<br>Frame, Two Flush<br>Access Doors | 27 <sup>5</sup> / <sub>8</sub> "W x<br>19 <sup>1</sup> / <sub>2</sub> "H |
| IDR3025-2           | 30"W x 25"H<br>Frame, Two Flush<br>Access Doors | 27 <sup>5</sup> / <sub>8</sub> "W x<br>23 <sup>1</sup> / <sub>2</sub> "H |
| IDR3621-2           | 36"W x 21"H<br>Frame, Two Flush<br>Access Doors | 33 <sup>5</sup> / <sub>8</sub> "W x<br>19 <sup>1</sup> / <sub>2</sub> "H |
| IDR4221-2           | 42"W x 21"H<br>Frame, Two Flush<br>Access Doors | 39 <sup>5</sup> / <sub>8</sub> "W x<br>19 <sup>1</sup> / <sub>2</sub> "H |



## Island Insert Cabinets - Clean-Stor® Box with Shelf

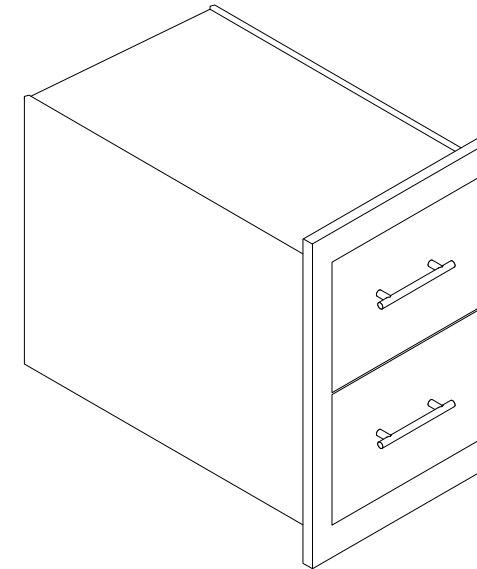
[\\*Return to Table of Contents](#)



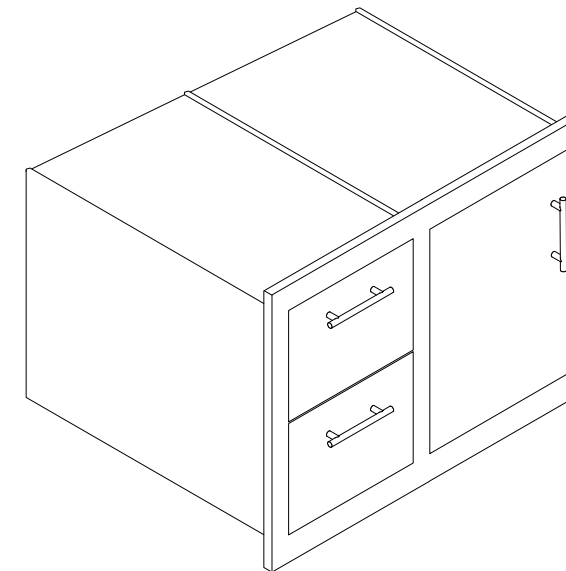
| Product Description   |                                     |
|---|-------------------------------------|
| Galvanized Storage Box to install behind frame (order at the same time as Access Doors).<br>NOTE: All Clean-Stor® boxes are 22¼" Deep |                                     |
| 24" Depth SKU   | Description                         |
| IDR1621-B   | Clean-Stor® storage box for IDR1621 |
| IDR1725-B   | Clean-Stor® storage box for IDR1725 |
| IDR2121-B   | Clean-Stor® storage box for IDR2121 |
| IDR2721-B   | Clean-Stor® storage box for IDR2721 |
| IDR3021-B   | Clean-Stor® storage box for IDR3021 |
| IDR3025-B   | Clean-Stor® storage box for IDR3025 |
| IDR3621-B   | Clean-Stor® storage box for IDR3621 |
| IDR4221-B   | Clean-Stor® storage box for IDR4221 |

## Island Insert Cabinets - Clean-Stor® Box Drawer Sets: IDWxxzz

[\\*Return to Table of Contents](#)



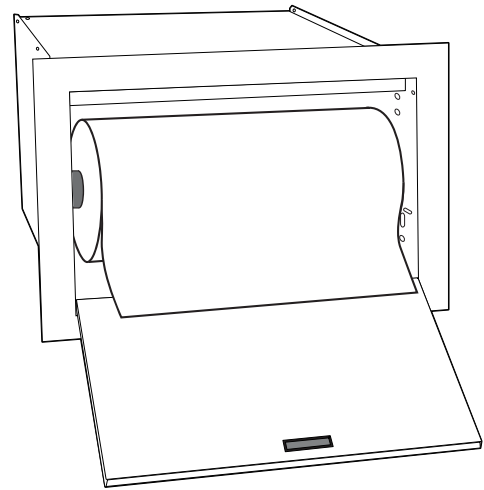
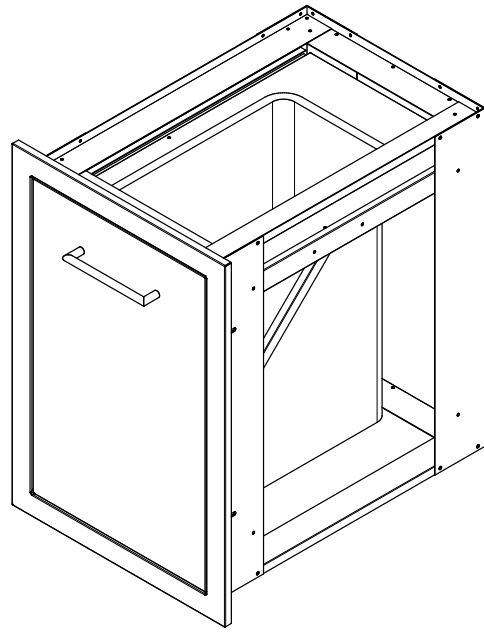
| Product Description |                                      |   |
|---------------------|--------------------------------------|---|
| IDW: Drawer Sets    |                                      |   |
| SKU                 |                                      |   |
| SKU                 | Description                          | Cut Out Size  |
| IDW1621-2           | 16"W x 21"H Frame, Two Drawers w/box | 13 <sup>5</sup> / <sub>8</sub> "W x 19 <sup>1</sup> / <sub>2</sub> "H |
| IDW1630-3           | 16"W x 30"H Frame, Two Drawers w/box | 13 <sup>5</sup> / <sub>8</sub> "W x 28 <sup>1</sup> / <sub>2</sub> "H |



| Product Description      |   |   |
|--------------------------|---|---|
| IC: Door and Drawer Sets |   |   |
| SKU                      |   |   |
| SKU                      | Description   | Cut Out Size  |
| IC3021-21                | 30"W x 21"H Frame, Two Drawers, One door, 2 Separate boxes. Specify drawers on left or right of door. | 27 <sup>5</sup> / <sub>8</sub> "W x 19 <sup>1</sup> / <sub>2</sub> "H |

# Island Insert Cabinet - Accessories

[\\*Return to Table of Contents](#)



| Product Description |   |  |
|---------------------|---|--|
| Insert: Accessories |   |  |
| SKU                 |   |  |
| SKU                 | Description                                   | Cut Out Size   |
| ITR1725             | 17"W x 21"H<br>Frame with Trash<br>Pull Out   | 14 <sup>5</sup> / <sub>8</sub> "W x<br>23 <sup>1</sup> / <sub>2</sub> "H |
| IPR1725             | 17"W x 25"H<br>Frame with<br>Propane Pull Out | 14 <sup>5</sup> / <sub>8</sub> "W x<br>23 <sup>1</sup> / <sub>2</sub> "H |
| IPT1711             | 17"W x 11"H<br>Paper Towel<br>Dispenser       | 15 <sup>1</sup> / <sub>2</sub> "W x<br>8 <sup>5</sup> / <sub>8</sub> "H  |

