

DANVER

STAINLESS  
OUTDOOR  
KITCHENS

Trex® Outdoor Kitchens™

BROWN JORDAN  
OUTDOOR  
KITCHENS™



# Specification Guide: Outdoor Cabinetry

Revision: 1-13-2024

## Table of Contents

<b>Style and Construction</b>	11
<b>Outdoor Cabinets: Nomenclature</b>	12
<b>Storage Base Cabinets</b>	13
Drawer/Door Base: OBDxx11, OBDxx12	14
OBDxx11 INVISACOOK	15
Full-Height Doors: OBFxx01, OBFxx02	16
OBFxx01-15 & -18, OBFxx02-15 & -18	17
OBFxx01 H23.75, OBFxx02 H23.75	18
OBFxx01 H21, OBFxx02 H21	19
Full-Height Doors: OBFxx02 H18	20
Wall Depth: OBFWDxx30, OBFWDxx36	21
Flush End Panels: OFE 13L/R	22
Side Panels: OSP 13.88L/R, OSP 14.63L/R	23
Back Panels: OBPxx H23.75 , OBPxx H21	24
Side Panels: OSPxx H23.75, OSPxx H21	25
Open Base Cabinet: OBFxx00	26
Insert Cabinets: OBlxx10 and OBI4200	27
Drawer Specifications and Volume	28
Multi-Drawer: OBFxx1xN	29
Multi-Drawer: OBFxx2xN	30
Multi-Drawer: OBFxx3xN	31
Multi-Drawer: OBFxx1xNT	32
Multi-Drawer: OBMxx20	33

## Table of Contents

Multi-Drawer: OBMxx30 and OBMxx40	34
Multi-Drawer Bench: OBMBHxx20 or 30	35
Side Panels: OSP xxL/R 12H	36
Flush End Panels: OFE xxL/R 12H	37
Connecting Panels: OFE xxL/R ADJACENT	38
Back Panels: OBPxx 12H	39
<b>Corner Base Cabinets</b>	40
Angle End: AEBxx02	40
Blind Corner Base: BCBxx01	41
Blind Corner Base: BCBxx11	42
Diagonal Corner: DCBxx	43
Diagonal Corner Sink Base: DCBSxx	44
Diagonal Corner Sink Base: DCBSxx	45
<b>Sink Base Cabinets</b>	46
False Front: OBSxx01, OBSxx02	47
Full-Height Door: OBSxxxx-FHD	48
Farm Sink Bases: OBSxxxxH11-FARM	49
Galley Sink Bases: OBSxxxx GALLEY	50
OBSxx00 ADA	51
Sink Space: OBSxx00 ADA SINK SPACE	52
OBXzz xxL/R ADA SINK SPACE	54
OBXzz xxL/R ELEC ADA SINK SPACE	55
ORPzz xxL/R ADA SINK SPACE	56

## Table of Contents

ORPzz xxL/R ELEC ADA SINK SPACE	57
OFE xxL/R ADA OCS	58
<b>Trash Base Cabinets</b>	59
OBTxx00, OBTxx10	59
OBTxx10N (nested)	60
Large 51 Quart Can: OBTxx00L	61
<b>Side Burner Base Cabinets</b>	62
OBBxxxx: 1 Door, 2 Door, 2 Drawer	63
OBBxx01H11, OBBxx02H11, OBBxx20H11	64
OBBxx01H12.5, OBBxx02H12.5	65
15.5”H Shelf: OBBxx01 LOW, OBBxx02 LOW	66
15.5”H Shelf: OBBxx10 LOW	67
<b>Bartending Center Base</b>	68
OBCxx01, OBCxx02	69
OBCxx01H11, OBCxx02H11	70
OBCxx01H12.5, OBBxx02H12.5	71
<b>Warming Drawer Bases</b>	72
OBWxx02 H12, OBWxx10 H12	72
OBWxx10 H21: 1 Drawer	73
OBWxx10 H17.38	74
OBWxx02 H14.13, OBWxx10 H14.13	75
<b>Double Warming Drawer Bases</b>	76
ODWxx00 H14	76

## Table of Contents

<b>Egg Base Cabinets</b>	77
OEBxx02 H16.5, OEBxx02 H12.5	77
OEBxx02-35 H16.5 or 12.5 (Extra Large)	78
Diagonal Corner: DCBExx H16.5 or H12.5	79
<b>Grill Cabinets</b>	80
Shelf Height & Cutout calculation	81
Doors: OGBxx02, OGBxx03	82
Drawers/Doors: OGBxx21, OGBxx22, OGBxx41	83
Full-Height Drawers: OGBxx20, OGBxx30	84
Drawers: OGBxx40, OGBxx60	85
EVO: OGBxxxx-EVO	86
OGBxx02H11, OGBxx03H11	89
OGBxx40H11, OGBxx60H11	90
OGBxx21H11, xx22H11, xx41H11	91
OGBxx20H11, OGBxx30H11	92
OGBxx02H12.5, OGBxx03H12.5	93
OGBxx21H12.5, xx22H12.5, xx41H12.5	96
OGBxx02H15.5, OGBxx03H15.5	97
OGBxx20H18.5, OGBxx30H18.5	98
OGBxx20-CALIBER ROCKWELL	99
Gas Stop Timer: OGBxx00 GS, OGBxx00H11 GS	100
Tecno Style: OGBxx00, OGBxx00H11	101
<b>Grill/Large Insert Cabinets</b>	102

## Table of Contents

OGFxx00	102
<b>Grill/Warming Drawer Cabinets</b>	103
OGWxx00, OGWxx10	103
OGWxx20, OGWxx30	104
OGWxx01, xx11, xx21	105
OGWxx00H11, xx10H11	106
OGWxx01H11, xx11H11, xx21H11	107
OGWxx30H11	108
<b>Oven Base Cabinets</b>	109
OOCxx00	109
<b>Post and Panel System</b>	110
Mid & End Support	111
PPS SPACERS & PANELS	112
PPS PANELS	113
PPS CABINET CONNECTOR	114
<b>Tall Storage Cabinets</b>	115
TBxxzz	115
Full-Height Doors: TBxx84-24-FHD	116
TBxxzz-24: 2 doors	117
TBxxzz-24: 4 doors	118
<b>Tall Oven Cabinets</b>	119
TTxxzz-24: 2 Doors, 2 Drawers	119
Tall Cabinet Accessories - Fillers: TFLF	120

## Table of Contents

Side Panels: OSPT xxzzL/R	121
<b>Cabinet Accessories: Nomenclature</b>	122
<b>Floating Shelves: FSxxB</b>	123
<b>Back Panels: OBPxx</b>	125
ADA Back Panels	126
Vented Back Panels: OBPV	127
Galvanized Vented Back Panels: OBPVGF	128
OBPVGF 36H	129
Equal Back Panels	130
Extended Equal Back Panels	131
ADA Extended Equal Back Panels	132
<b>Flush End Panels: OFE xxL/R, OFEGFxx</b>	133
Flush End Panels GFCI: OFE xxL/R ELEC	134
<b>Side Panels: OSP xxL/R</b>	135
Side Panels GFCI: OSP xxL/R ELEC	136
Extended Side Panels: OSP EXTEND	137
Access Door Fillers: OFFxx	138
<b>Front Fillers: OFLFxx, OFLF ENDxx</b>	139
OFLF 24-27L/R, OFLA x-x	140
Rear Filler: OFLxx	141
Front/Rear Fillers with GFCI cutout	142
Undercounter Appliance Filler: OFTS xx xx	143
<b>Half and Full-Depth Shelving: OSH</b>	144



## Table of Contents

Pullout Shelving	145
Pullout Shelf for Ice Chest	146
Propane Pullout: OPPxx	147
Trash Pullout: OTP	148
<b>Undercounter Appliance Parts</b>	149
Front Corner Fillers: OAF90/45xx	150
OADzz .50 Outdoor Appliance Divider	152
OADzz .50 ADA Outdoor Appliance Divider	153
OAR90XX Insert No Vent/Vent Access	154
Middle Box Columns: OBXzz.zz x.xx	155
ORP with electrical cutout	156
OBX with electrical cutout	157
End Support Columns: ORPzz.zz x.xx	158
ORP Cabinet Connector xx	159
ORP Decorative Side Panels: OSP xx yy	160
ORP Depth Skin: ORPS	161
OBX Width Skin: OBXF	161
Undercounter Appliance Spacers: ORS	162
<b>Countertop Support Piers: OCPSxx</b>	163
Countertop Span Support: OCSxx	164
Countertop Flush Ends: OFE xxL/R OCS	165
Handles	166

## Table of Contents

Hampton, Key West Handle Placement	167
Venice Handle Placement	168
Pull Tab Handles	169
Ashley Norton 'L' Pull	170
Ashley Norton 'L' Pull - Door Application	171
Ashley Norton 'L' Pull - Drawer Application	171
Appliance Overlay Panels	172
Locks	173
Horizon Wood Grain Usage	174
<b>Miscellaneous</b>	175
Powder Coat Wood Grain Direction: Slab/Rio	175
Powder Coat Wood Grain Direction: Key West	176
Powder Coat Wood Grain Direction: Beadboard	177
Powder Coat Wood Grain Direction: Venice	178
Venice Door Powder Coating Options	179
Sink Covers: SCxxzz	180
Standard & ADA Legs	181
Stainless Legs: SSLEG	182
Toe Kick: OTKx	183
<b>Wall Cabinets</b>	184
Wall Cabinets & Accessories: Nomenclature	185
Single door: WSxxzz-LH/RH	186
Double door: WSxxzz	187

## Table of Contents

24" Deep: WSxxxz-24	188
Diagonal Corner: WDCxx, Blind Corner: WBxxxz	189
Microwave Cabinet: WMCxxxz	190
<b>Wall Accessories</b>	191
Side Panels: WSP, Flush End Panels: WFE	191
Front Fillers: WFL	192
Corner Fillers: WFC, WFL END	193
Light Rail: WLR xx yy zz, PVC Cleat	194
<b>Rolling Carts</b>	195
<b>Island Insert Cabinets</b>	196
Access Doors: IDRxxxz-1, IDRxxxz-2	197
Clean-Stor® Box with Shelf	198
Clean-Stor® Box Drawer Sets: IDWxxxz	199
Island Insert Cabinet - Accessories	200



## Style and Construction

- All standard doors, drawers and cabinet boxes are manufactured from 20g 304 stainless steel or choose to upgrade to 316 marine grade.
- European frameless, solid top construction with full overlay doors.
- Standard 30" high cabinet boxes plus 4.5" leveling legs adjustable from 3.75" to 5.75" or 2" to 3.25" ADA leg heights.
- Cabinet depths are standard 27.88" or optional 24.88" which includes 7/8" for drawer(s) and door(s).
- Concealed door hinges, full extension, soft-close drawer glides on residential projects.
- Magnetic door closures and rain gaskets are standard on cabinetry.
- #2 matte finish interior standard on Danver Stainless Outdoor Kitchen cabinets.
- #4 brushed finish interior standard on Brown Jordan Outdoor Kitchen cabinets.

## Cabinet Options

- Shelving options: half depth standard, full depth, roll out or heavy duty available. Incremental 3" widths starting at 9" and heights starting at 12".
- Available in a variety of door style options.
- Powder coated finishes in solid colors along with woodgrain.
- Finished backs and sides are available for stand alone island installations.
- Pre-cut access holes to accommodate plumbing, electrical and required ventilation.

# Outdoor Cabinets: Nomenclature

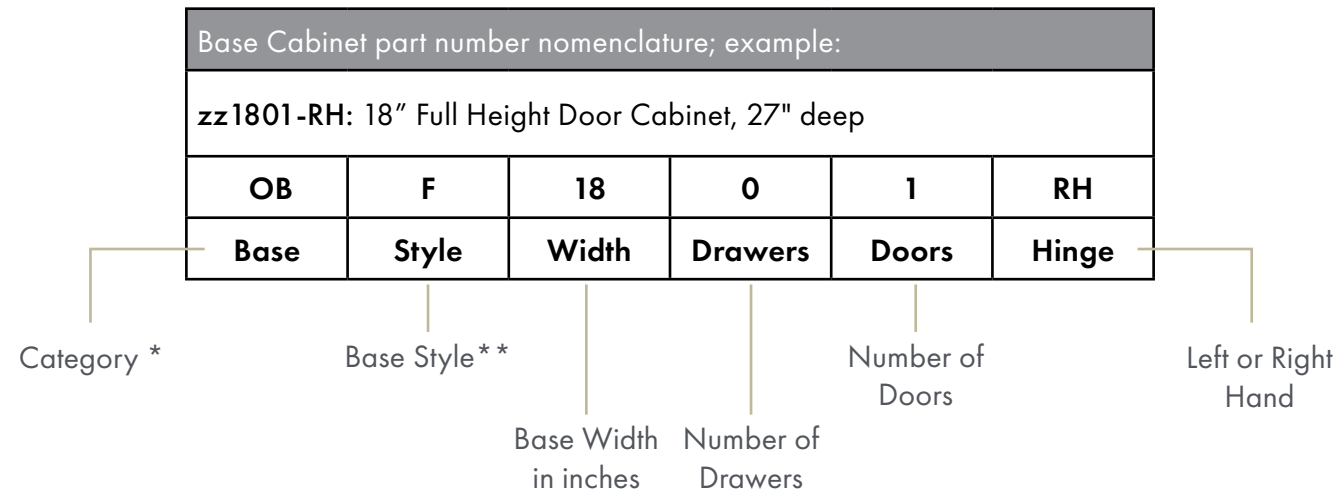
[\\*Return to Table of Contents](#)

All Denver Base cabinets use specific nomenclature designed to help you find the specific type needed.

Standard base cabinet box depth is 27" (drawers/door fronts are 7/8" thick)

For 24" depth cabinets, specify -24 after item #. For example OBF1501-24-LH.

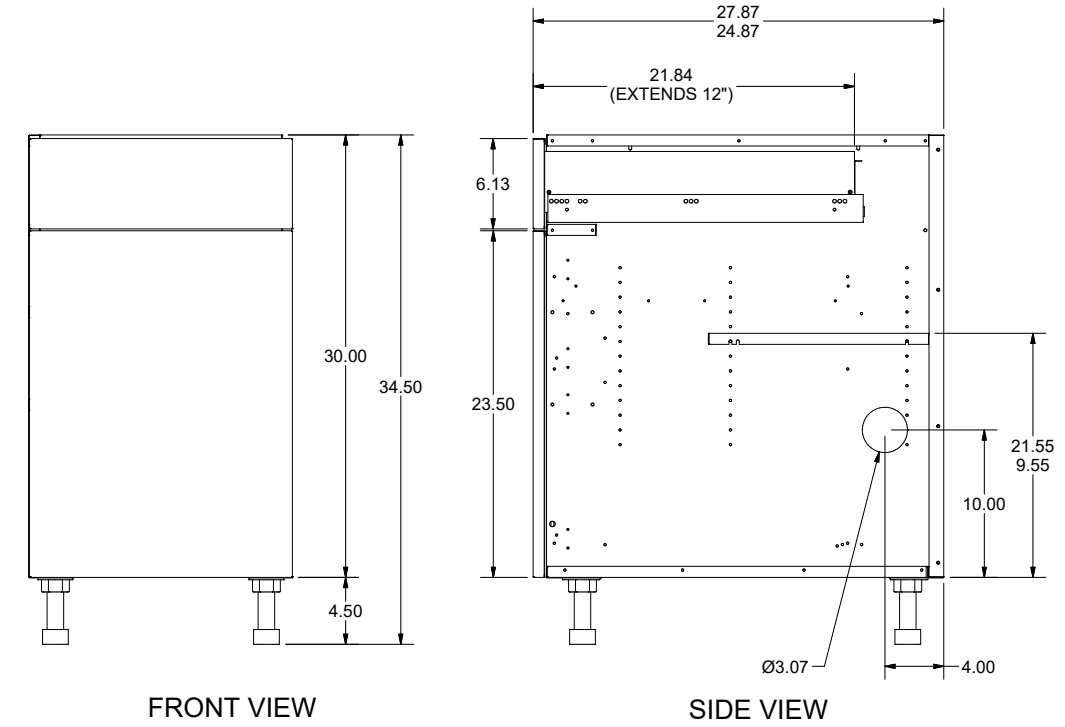
Right hinge or left hinge on single door units is specified as -RH or -LH.



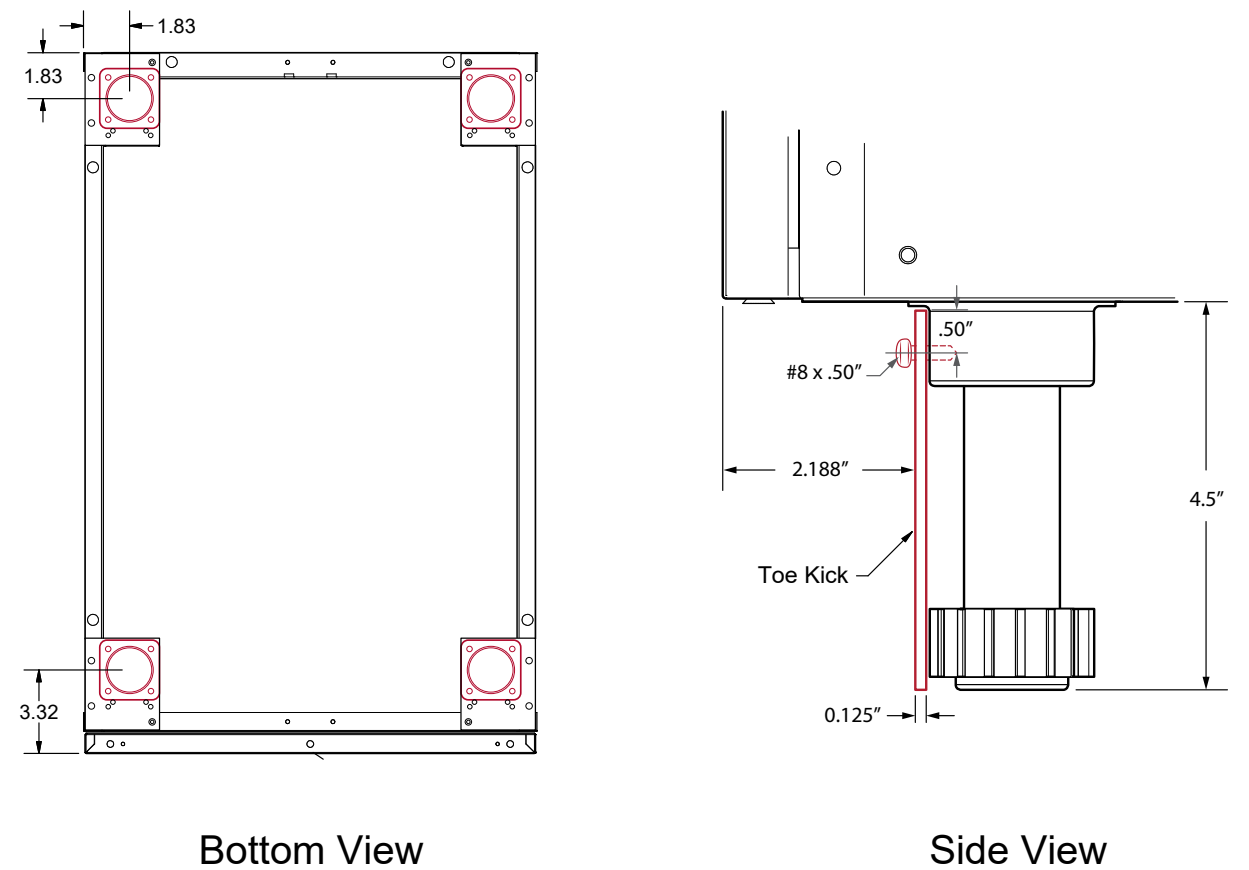
# Storage Base Cabinets - Front, Side, & Bottom View

[\\*Return to Table of Contents](#)

Typical measurements for base storage cabinets. Note that 24" and shorter depth shelves come standard with a full depth shelf.



Typical cabinet foot location.

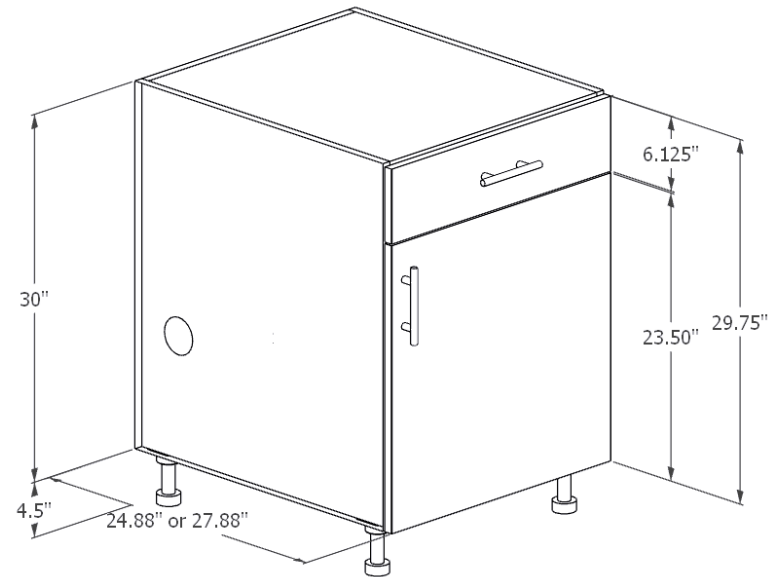


* Base Category Code Key	
AE	Angle End
BC	Blind Corner
DC	Diagonal Corner
OB	Outside Base
OG	Outside Grill
OE	Outside Egg
OW	Outside Warming
WS	Wall Cabinet
TB	Tall Base
TT	Tall Double Oven
ID	Insert Door
IC	Insert Combination
IT	Insert Trash Pull-out
IP	Insert Propane Pull-out
IDW	Insert Drawer

** Base Style Code Key	
B	Base or Burner if "BB"
C	Cocktail Base
F	Full-height Door
FWD	Full-height Door Wall Depth (13"D)
M	Multi-Drawer
MBH	Multi-Drawer Bench Height (12"H)
S	Sink
T	Trash
W	Warming Drawer

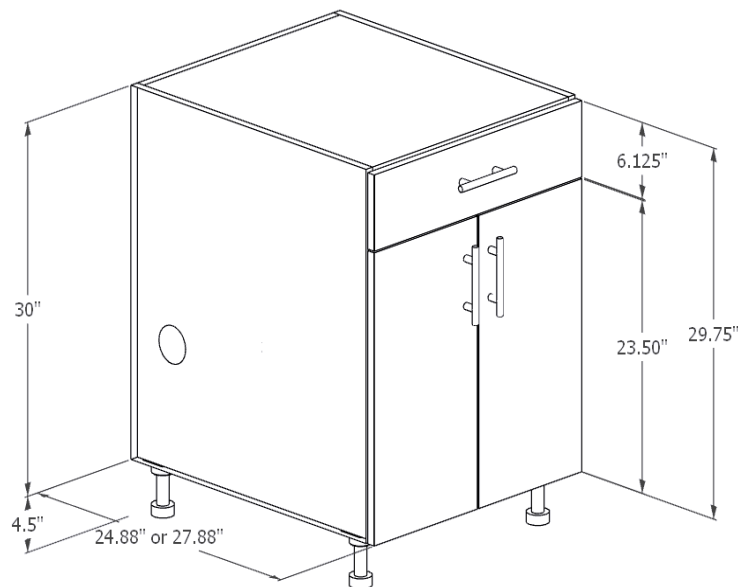
## Storage Base Cabinets - Drawer/Door Base: OBDxx11, OBDxx12

[\\*Return to Table of Contents](#)



Note: Drawer glides are subject to change between 18" and 21" depth without notice based on supplier availability. The Dynapro2.0 glide max load weight is 90 lbs.

Product Description	
OBD: Drawer/door base, 1 door, 1 upper drawer, 27" D cabinet includes adjustable half-depth shelf, 24" D cabinet includes adjustable full-depth shelf.	
27" Depth SKU	24" Depth SKU
OBD0911-LH	OBD0911-24-LH
OBD0911-RH	OBD0911-24-RH
OBD1211-LH	OBD1211-24-LH
OBD1211-RH	OBD1211-24-RH
OBD1511-LH	OBD1511-24-LH
OBD1511-RH	OBD1511-24-RH
OBD1811-LH	OBD1811-24-LH
OBD1811-RH	OBD1811-24-RH
OBD2111-LH	OBD2111-24-LH
OBD2111-RH	OBD2111-24-RH
OBD2411-LH	OBD2411-24-LH
OBD2411-RH	OBD2411-24-RH

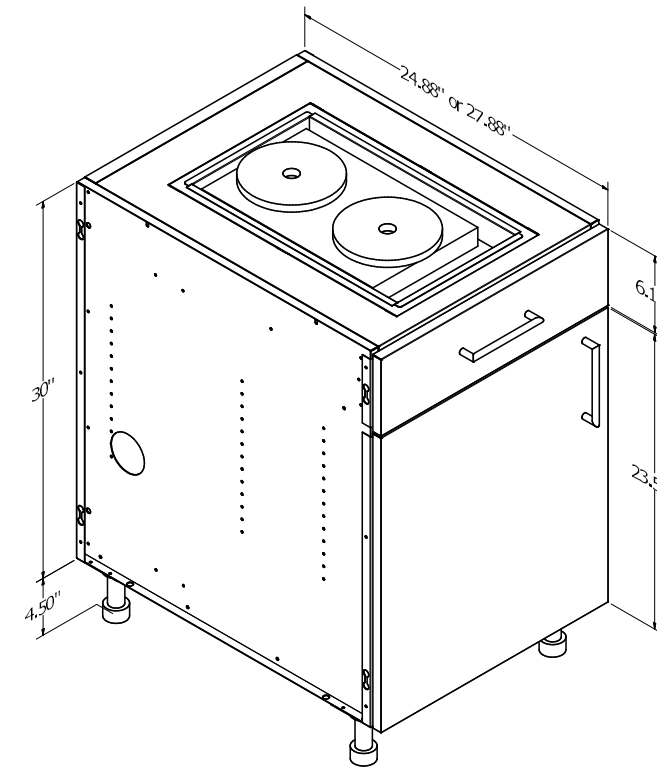


Note: Drawer glides are subject to change between 18" and 21" depth without notice based on supplier availability. The Dynapro2.0 glide max load weight is 90 lbs.

Product Description	
OBD: Drawer/doors base, 1 upper drawer, 2 doors, 27" D cabinet includes adjustable half-depth shelf, 24" D cabinet includes adjustable full-depth shelf.	
27" Depth SKU	24" Depth SKU
OBD2412	OBD2412-24
OBD2712	OBD2712-24
OBD3012	OBD3012-24
OBD3312	OBD3312-24
OBD3612	OBD3612-24
OBD3912	OBD3912-24

## Storage Base Cabinets - OBDxx11 INVISACOOK

[\\*Return to Table of Contents](#)



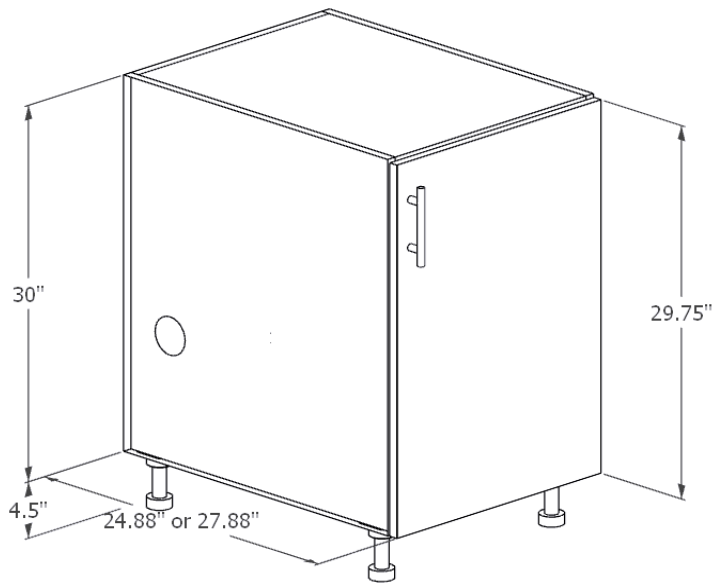
Note: Drawer glides are subject to change between 18" and 21" depth without notice based on supplier availability. The Dynapro2.0 glide max load weight is 90 lbs.

Product Description	
OBDxx11-INVISACOOK: Drawer/door base for housing INVISACOOK Two-Burner unit, 1 door, 1 upper drawer, 27" D cabinet includes adjustable half-depth shelf, 24" D cabinet includes adjustable full-depth shelf.	
18"W x 27"D/24"D Invisacook Two-Burner Base - 1 Drawer: 17.88" - 23.88" x 6.13", 1 Door: 17.88" - 23.88" x 23.5". Includes adjustable half depth shelf.	
27" Depth SKU	24" Depth SKU
OBD1811-LH-INVISACOOK	OBD1811-24-LH-INVISACOOK
OBD1811-RH-INVISACOOK	OBD1811-24-RH-INVISACOOK
OBD2111-LH-INVISACOOK	OBD2111-24-LH-INVISACOOK
OBD2111-RH-INVISACOOK	OBD2111-24-RH-INVISACOOK
OBD2411-LH-INVISACOOK	OBD2411-24-LH-INVISACOOK
OBD2411-RH-INVISACOOK	OBD2411-24-RH-INVISACOOK
24"W x 27"D/24"D Invisacook Two-Burner Base - 1 Drawer: 23.88" x 6.13", 2 Doors: 11.88" x 23.5". Includes adjustable half depth shelf.	
27" Depth SKU	24" Depth SKU
OBD2412-INVISACOOK	OBD2412-24-INVISACOOK



# Storage Base Cabinets - Full-Height Doors: OBFxx01, OBFxx02

[\\*Return to Table of Contents](#)

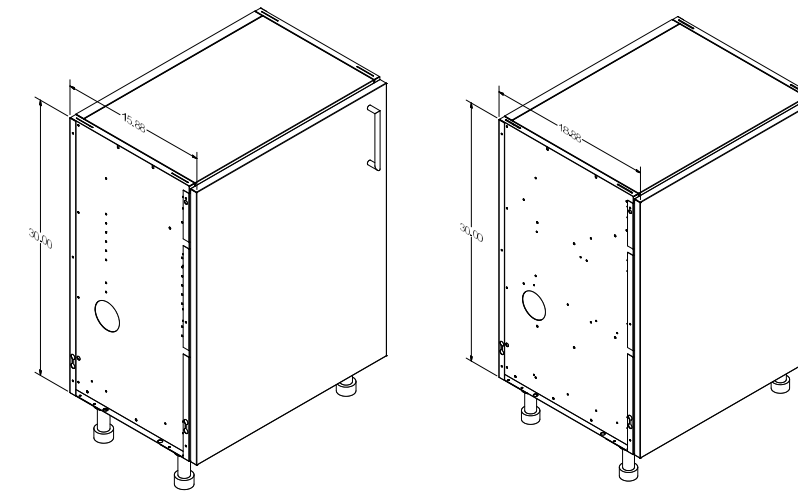


NOTE: Cabinet boxes are 30" high plus 4.5" leveling legs or 2" (ADA) leg heights.

Product Description	
OBF: Full-height door base, 1 door, 27" D cabinet includes adjustable half-depth shelf, 24" D cabinet includes adjustable full-depth shelf.	
27" Depth SKU	24" Depth SKU
OBF0901-LH	OBF0901-24-LH
OBF0901-RH	OBF0901-24-RH
OBF1201-LH	OBF1201-24-LH
OBF1201-RH	OBF1201-24-RH
OBF1501-LH	OBF1501-24-LH
OBF1501-RH	OBF1501-24-RH
OBF1801-LH	OBF1801-24-LH
OBF1801-RH	OBF1801-24-RH
OBF2101-LH	OBF2101-24-LH
OBF2101-RH	OBF2101-24-RH
OBF2401-LH	OBF2401-24-LH
OBF2401-RH	OBF2401-24-RH

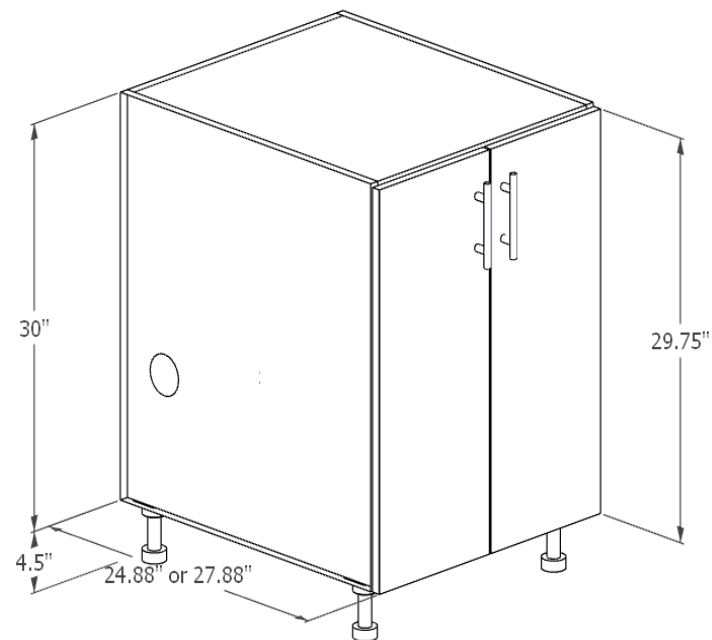
# Storage Base Cabinets - OBFxx01-15 & -18, OBFxx02-15 & -18

[\\*Return to Table of Contents](#)



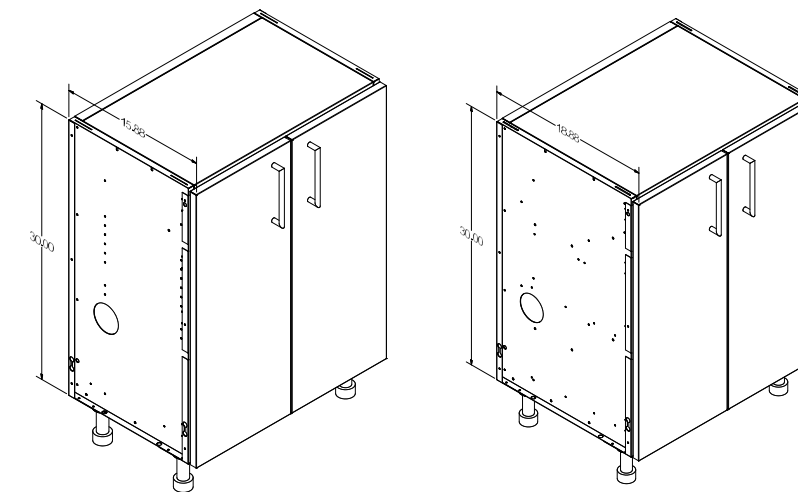
NOTE: Cabinet boxes are 30" high plus 4.5" leveling legs or 2" (ADA) leg heights.

Product Description	
OBFxx01-15 or -18: Full-height door base, 1 door, includes adjustable full-depth shelf. 15" or 18" depth.	
15" Depth SKU	18" Depth SKU
OBF0901-15-LH	OBF0901-18-LH
OBF0901-15-RH	OBF0901-18-RH
OBF1201-15-LH	OBF1201-18-LH
OBF1201-15-RH	OBF1201-18-RH
OBF1501-15-LH	OBF1501-18-LH
OBF1501-15-RH	OBF1501-18-RH
OBF1801-15-LH	OBF1801-18-LH
OBF1801-15-RH	OBF1801-18-RH
OBF2101-15-LH	OBF2101-18-LH
OBF2101-15-RH	OBF2101-18-RH



NOTE: Cabinet boxes are 30" high plus 4.5" leveling legs or 2" (ADA) leg heights.

Product Description	
OBF: Full-height door base, 2 doors, 27" D cabinet includes adjustable half-depth shelf, 24" D cabinet includes adjustable full-depth shelf.	
27" Depth SKU	24" Depth SKU
OBF2402	OBF2402-24
OBF2702	OBF2702-24
OBF3002	OBF3002-24
OBF3302	OBF3302-24
OBF3602	OBF3602-24
OBF3902	OBF3902-24
OBF4202	OBF4202-24
OBF4502	OBF4502-24
OBF4802	OBF4802-24

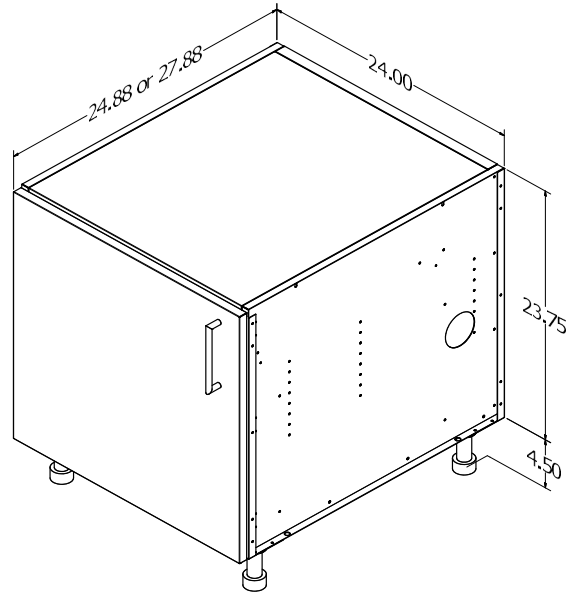


NOTE: Cabinet boxes are 30" high plus 4.5" leveling legs or 2" (ADA) leg heights.

Product Description	
OBFxx02-15 or -18: Full-height door base, 2 doors, includes adjustable full-depth shelf. 15" or 18" depth.	
15" Depth SKU	18" Depth SKU
OBF2402-15	OBF2402-18
OBF2702-15	OBF2702-18
OBF3002-15	OBF3002-18
OBF3302-15	OBF3302-18
OBF3602-15	OBF3602-18
OBF3902-15	OBF3902-18
OBF4202-15	OBF4202-18
OBF4502-15	OBF4502-18
OBF4802-15	OBF4802-18

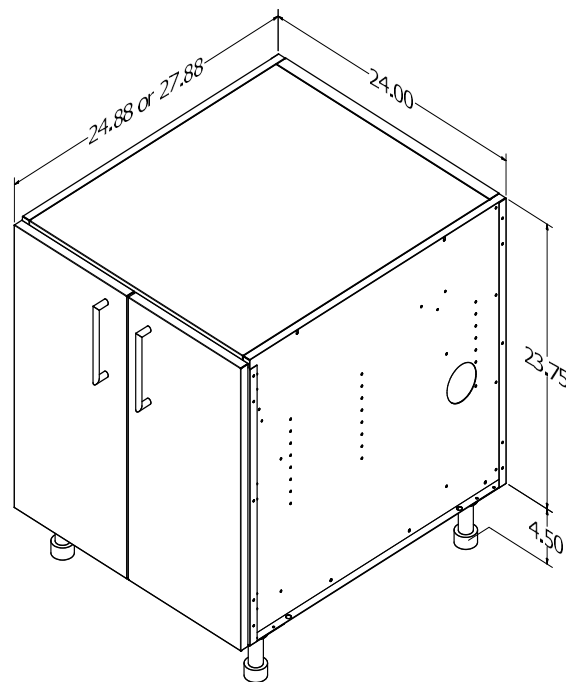
## Storage Base Cabinets - OBFxx01 H23.75, OBFxx02 H23.75

[\\*Return to Table of Contents](#)



NOTE: Includes standard 4.5" leveling legs, also available with 2" (ADA) leg heights.

Product Description	
OBFxx01 H23.75: Full-height door base, 1 door, 27"D cabinet includes adjustable half-depth shelf, 24"D cabinet includes adjustable full-depth shelf.	
27" Depth SKU	24" Depth SKU
OBF0901-LH H23.75	OBF0901-24-LH H23.75
OBF0901-RH H23.75	OBF0901-24-RH H23.75
OBF1201-LH H23.75	OBF1201-24-LH H23.75
OBF1201-RH H23.75	OBF1201-24-RH H23.75
OBF1501-LH H23.75	OBF1501-24-LH H23.75
OBF1501-RH H23.75	OBF1501-24-RH H23.75
OBF1801-LH H23.75	OBF1801-24-LH H23.75
OBF1801-RH H23.75	OBF1801-24-RH H23.75
OBF2101-LH H23.75	OBF2101-24-LH H23.75
OBF2101-RH H23.75	OBF2101-24-RH H23.75
OBF2401-LH H23.75	OBF2401-24-LH H23.75
OBF2401-RH H23.75	OBF2401-24-RH H23.75

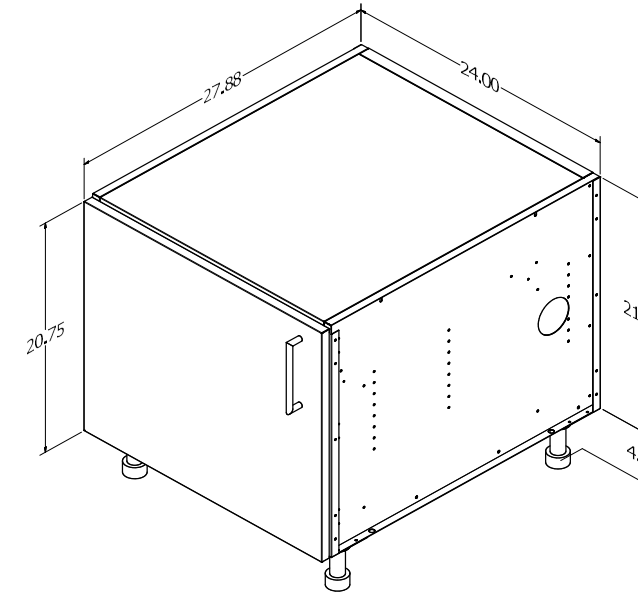


NOTE: Includes standard 4.5" leveling legs, also available with 2" (ADA) leg heights.

Product Description	
OBFxx02 H23.75: Full-height door base, 2 doors, 27"D cabinet includes adjustable half-depth shelf, 24"D cabinet includes adjustable full-depth shelf.	
27" Depth SKU	24" Depth SKU
OBF2402 H23.75	OBF2402-24 H23.75
OBF2702 H23.75	OBF2702-24 H23.75
OBF3002 H23.75	OBF3002-24 H23.75
OBF3302 H23.75	OBF3302-24 H23.75
OBF3602 H23.75	OBF3602-24 H23.75
OBF3902 H23.75	OBF3902-24 H23.75
OBF4202 H23.75	OBF4202-24 H23.75
OBF4502 H23.75	OBF4502-24 H23.75
OBF4802 H23.75	OBF4802-24 H23.75

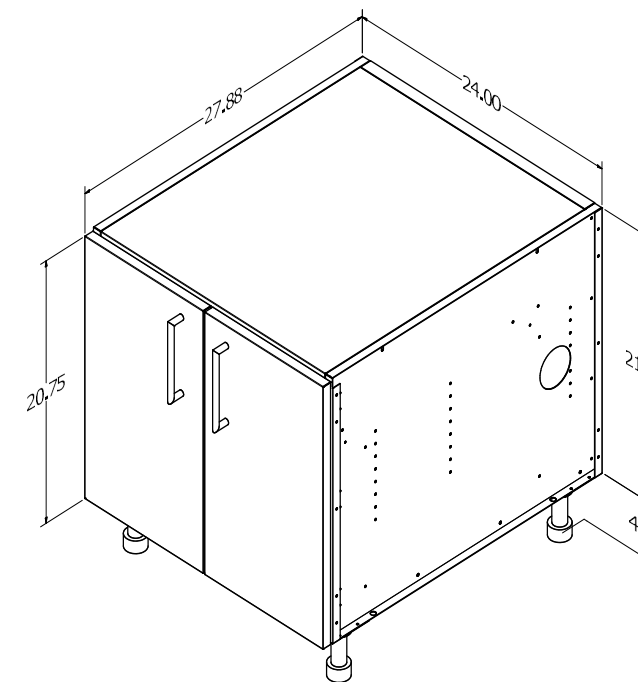
## Storage Base Cabinets - OBFxx01 H21, OBFxx02 H21

[\\*Return to Table of Contents](#)



NOTE: Includes standard 4.5" leveling legs, also available with 2" (ADA) leg heights.

Product Description	
OBFxx01 H21: Full-height door base, 1 door, 27"D cabinet includes adjustable half-depth shelf, 24"D cabinet includes adjustable full-depth shelf.	
27" Depth SKU	24" Depth SKU
OBF0901-LH H21	OBF0901-24-LH H21
OBF0901-RH H21	OBF0901-24-RH H21
OBF1201-LH H21	OBF1201-24-LH H21
OBF1201-RH H21	OBF1201-24-RH H21
OBF1501-LH H21	OBF1501-24-LH H21
OBF1501-RH H21	OBF1501-24-RH H21
OBF1801-LH H21	OBF1801-24-LH H21
OBF1801-RH H21	OBF1801-24-RH H21
OBF2101-LH H21	OBF2101-24-LH H21
OBF2101-RH H21	OBF2101-24-RH H21
OBF2401-LH H21	OBF2401-24-LH H21
OBF2401-RH H21	OBF2401-24-RH H21

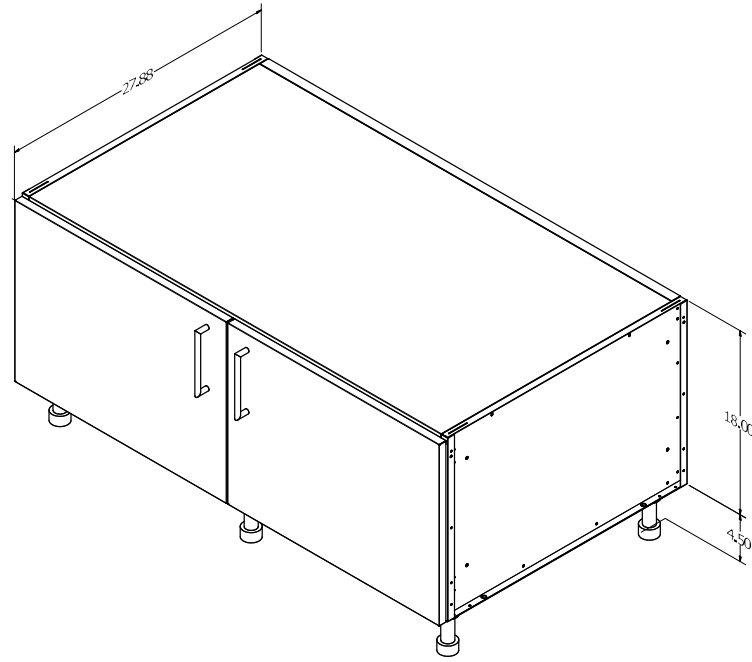


NOTE: Includes standard 4.5" leveling legs, also available with 2" (ADA) leg heights.

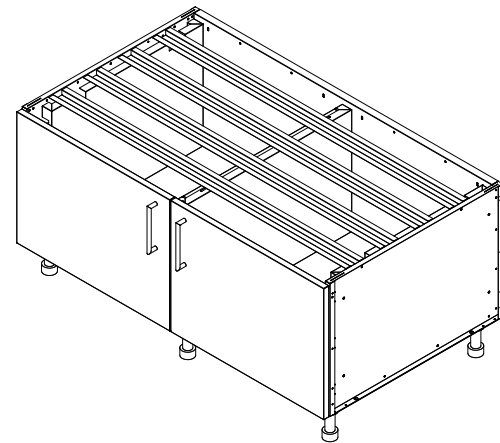
Product Description	
OBFxx02 H21: Full-height door base, 2 doors, 27"D cabinet includes adjustable half-depth shelf, 24"D cabinet includes adjustable full-depth shelf.	
27" Depth SKU	24" Depth SKU
OBF2402 H21	OBF2402-24 H21
OBF2702 H21	OBF2702-24 H21
OBF3002 H21	OBF3002-24 H21
OBF3302 H21	OBF3302-24 H21
OBF3602 H21	OBF3602-24 H21
OBF3902 H21	OBF3902-24 H21
OBF4202 H21	OBF4202-24 H21
OBF4502 H21	OBF4502-24 H21
OBF4802 H21	OBF4802-24 H21

# Storage Base Cabinets - Full-Height Doors: OBFxx02 H18

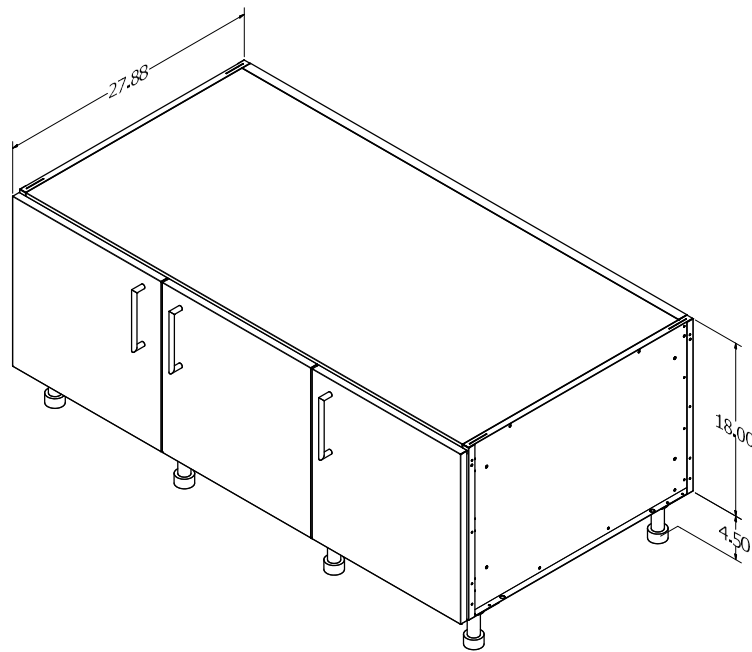
[\\*Return to Table of Contents](#)



NOTE: Designed for grills that sit on cabinet top.  
(Example: Yoder, Blackstone)



Product Description	
OBFxx02H18: Full-height door base. 30"-48"W x 18"H x 27"D Base - 2 Full Height Doors: 23.88"W x 17.75"H. NO SHELF OPTIONS FOR THIS CABINET. ***Requires CUSTOM finished back/sides panels if necessary due to 18"H. Do not use standard OBP, OFE, or OSP!***	
27" Depth SKU	24" Depth SKU
OBF3002H18	OBF3002-24 H18
OBF3602H18	OBF3602-24 H18
OBF4202H18	OBF4202-24 H18

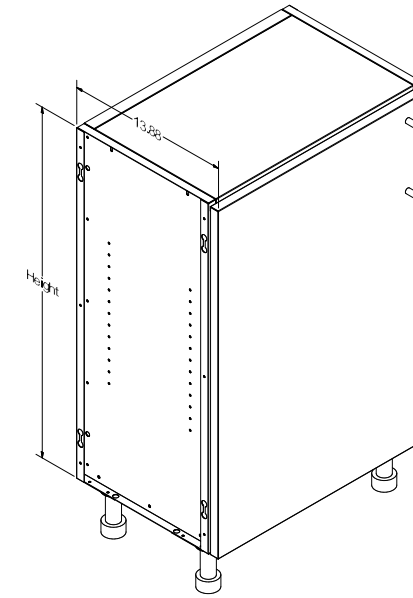


NOTE: Designed for grills that sit on cabinet top.  
(Example: Yoder, Blackstone)

Product Description	
OBFxx03H18: Full-height door base. 48"-54"W x 18"H x 27"D Base - 3 Full Height Doors: 23.88"W x 17.75"H. NO SHELF OPTIONS FOR THIS CABINET. ***Requires CUSTOM finished back/sides panels if necessary due to 18"H. Do not use standard OBP, OFE, or OSP!***	
27" Depth SKU	24" Depth SKU
OBF4803H18	OBF4803-24 H18
OBF5403H18	OBF5403-24 H18

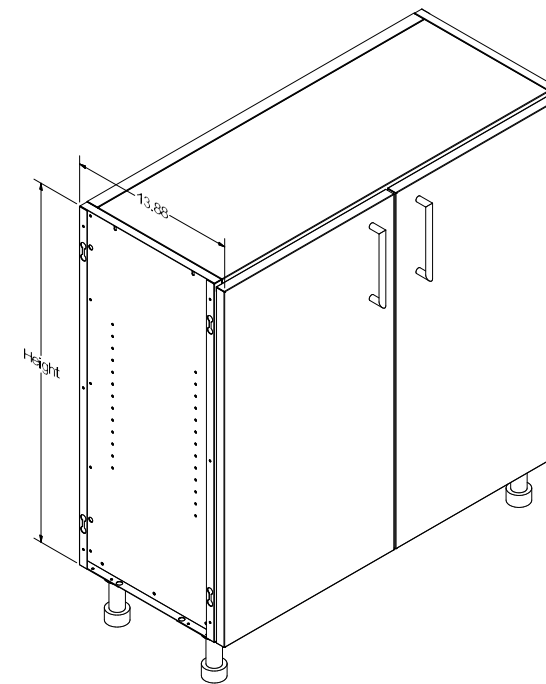
# Storage Base Cabinets - Wall Depth: OBFWDxx30, OBFWDxx36

[\\*Return to Table of Contents](#)



NOTE: Cabinets may tip if not attached to 24" or 30" depth cabinets. Please observe all local building codes when installing. Cabinet boxes are 30" or 36" high plus 4.5" leveling legs or 2" (ADA) leg heights. Decorative side panels are available in every door style.

Product Description	
OBFWD: Full-height door base, Wall Depth 13", 1 door, includes two adjustable full-depth shelves.	
30" Height SKU	36" Height SKU
OBFWD1230-LH	OBFWD1236-LH
OBFWD1230-RH	OBFWD1236-RH
OBFWD1530-LH	OBFWD1536-LH
OBFWD1530-RH	OBFWD1536-RH
OBFWD1830-LH	OBFWD1836-LH
OBFWD1830-RH	OBFWD1836-RH
OBFWD2130-LH	OBFWD2136-LH
OBFWD2130-RH	OBFWD2136-RH

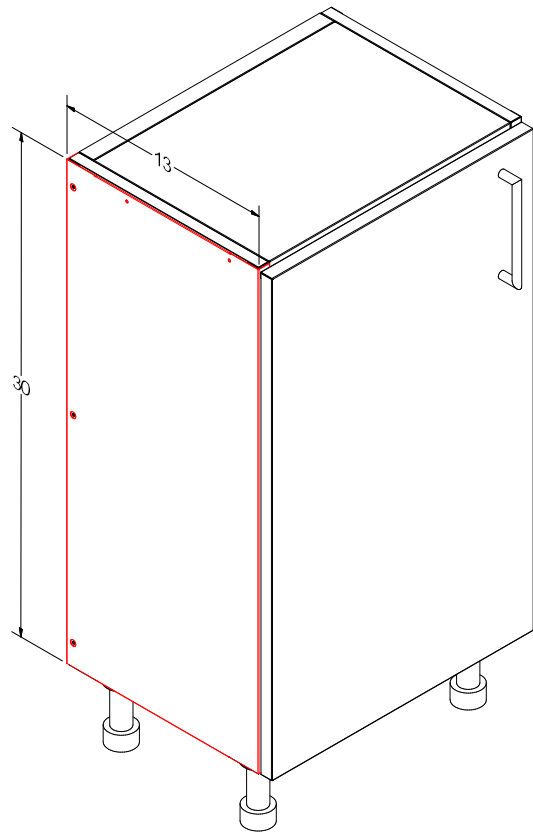
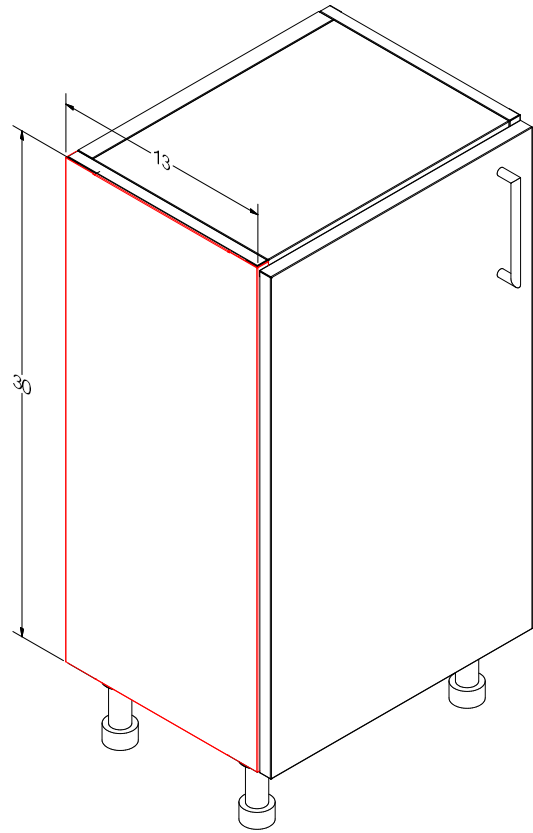


NOTE: Cabinets may tip if not attached to 24" or 30" depth cabinets. Please observe all local building codes when installing. Cabinet boxes are 30" or 36" high plus 4.5" leveling legs or 2" (ADA) leg heights. Decorative side panels are available in every door style.

Product Description	
OBFWD: Full-height door base, Wall Depth 13", 2 doors, includes two adjustable full-depth shelves.	
30" Height SKU	36" Height SKU
OBFWD2430	OBFWD2436
OBFWD2730	OBFWD2736
OBFWD3030	OBFWD3036
OBFWD3330	OBFWD3336
OBFWD3630	OBFWD3636
OBFWD3930	OBFWD3936
OBFWD4230	OBFWD4236
OBFWD4830	OBFWD4836

## Wall Depth Base - Flush End Panels: OFE 13L/R

[\\*Return to Table of Contents](#)



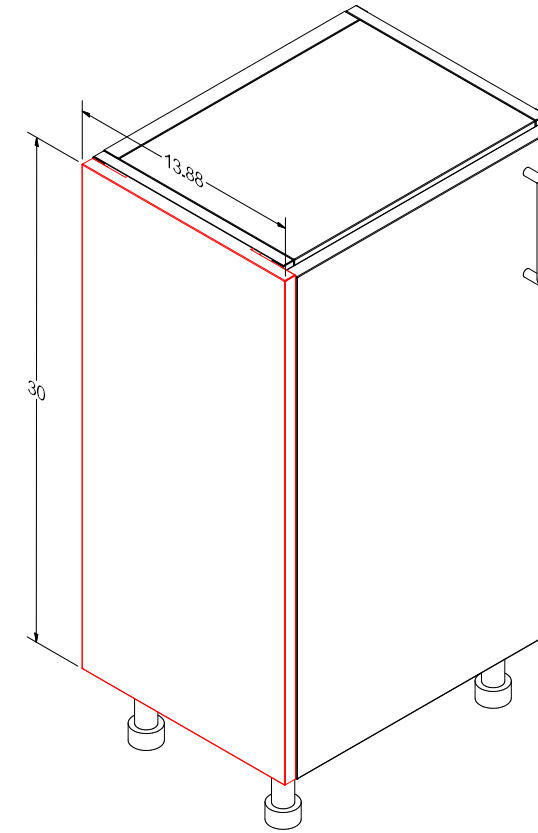
Product Description
OFE: Wall depth cabinet flush end panel, 13"D x 30"H. Sits flush to cabinet side, specify based on cabinet side and depth. No round access hole cutout.
13" Depth x 30"H SKU
OFE 13L
OFE 13R
13" Depth x 36"H SKU
OFE 13L 36H
OFE 13R 36H

Product Description
OFE: Wall depth cabinet flush end panel, 13"D x 30"H. Sits flush to cabinet side, specify based on cabinet side and depth. Round access hole cutout.
13" Depth x 30"H SKU
OFE 13L APPLIANCE
OFE 13R APPLIANCE
13" Depth x 36" High SKU
OFE 36H 13L APPLIANCE
OFE 36H 13R APPLIANCE

Product Description
OFEGF: Base wall height cabinet galvanized flush end panel, 30"H or 36"H. Sits flush in cabinet side, used to fill in cabinet side for adhering waterfall countertops and other materials. Specify based on cabinet depth and height.
13" Depth x 30" Height SKU
OFEGF13
13" Depth x 36" Height SKU
OFEGF13 36H

## Wall Depth Base - Side Panels: OSP 13.88L/R, OSP 14.63L/R

[\\*Return to Table of Contents](#)

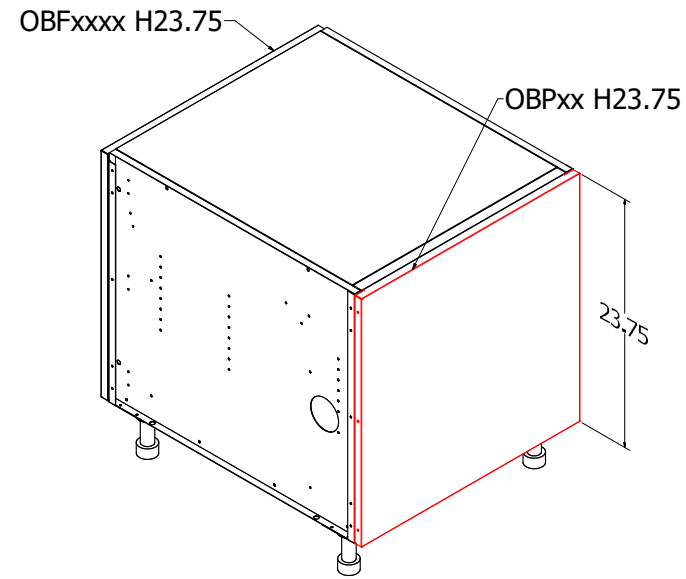


Product Description	
OSP: 3/4" Thick 13"D x 30/36"H side panels for wall depthbase cabinets. Panels sit flush with door/drawer faces and back panels if used. Specify based on cabinet side and depth (select .75" deeper for use with back panels)	
13" Depth x 30" High SKU	
OSP 13.88L	
OSP 13.88R	
OSP 14.63L	13"D Cabinet with back panel
OSP 14.63R	13"D Cabinet with back panel
13" Depth x 36" High SKU	
OSP 13.88L 36H	
OSP 13.88R 36H	
OSP 14.63L 36H	13"D x 36"H Cabinet with back panel
OSP 14.63R 36H	13"D x 36"H Cabinet with back panel

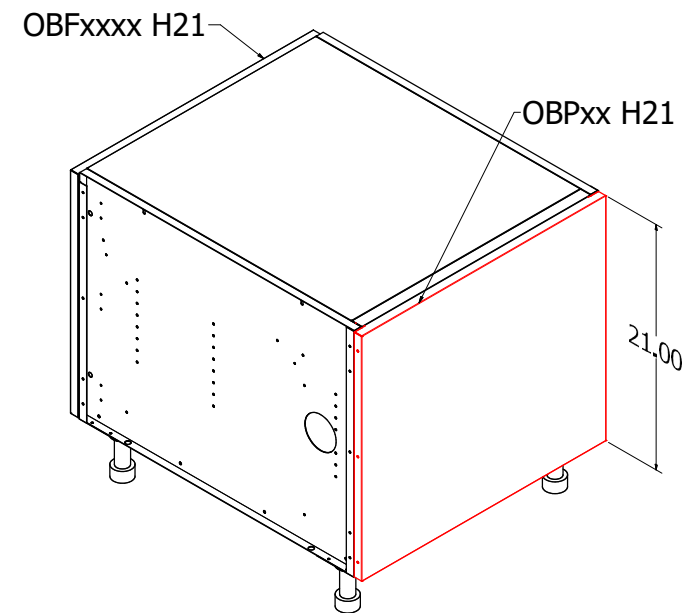


## Wall Depth Base - Back Panels: OBPxx H23.75 , OBPxx H21

[\\*Return to Table of Contents](#)



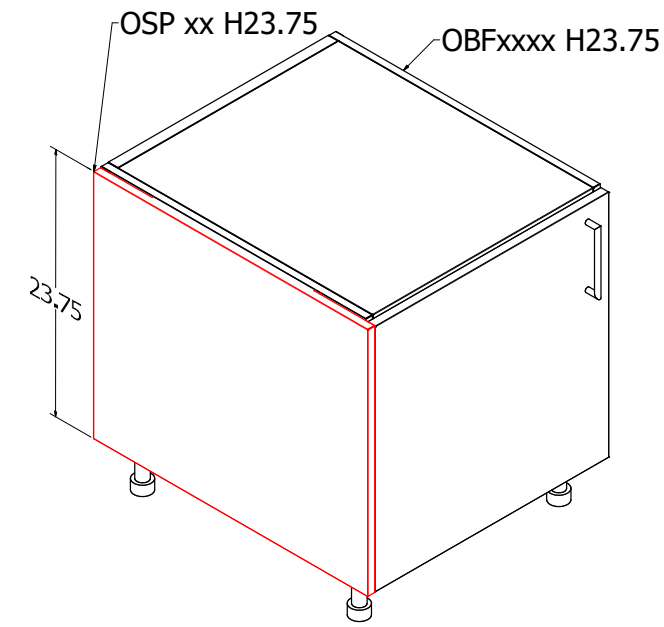
Product Description
OBPxx H23.75: 3/4" Thick 23.75" high back panel for OBFxx H21 cabinets. Fits exact width of cabinet up to 39"W, wider cabinets use two smaller back panels (ex. OBF4202 H23.75 uses two 21"W back panels).
13" Depth x 30"H SKU
OBP09 H23.75
OBP12 H23.75
OBP15 H23.75
OBP18 H23.75
OBP21 H23.75
OBP24 H23.75
OBP27 H23.75
OBP30 H23.75
OBP33 H23.75
OBP36 H23.75
OBP39 H23.75
OBP42 H23.75
OBP45 H23.75
OBP48 H23.75



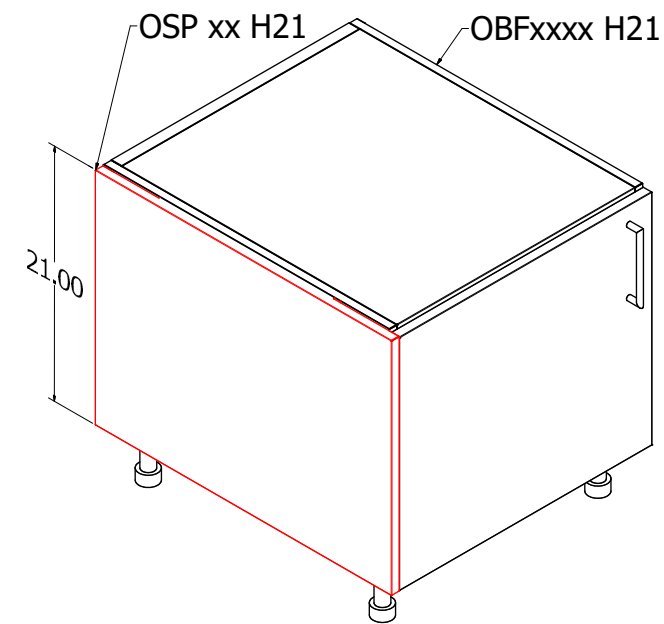
Product Description
OBPxx H21: 3/4" Thick 21" high back panel for OBFxx H21 cabinets. Fits exact width of cabinet up to 39"W, wider cabinets use two smaller back panels (ex. OBF4202 H21 uses two 21"W back panels).
13" Depth x 30"H SKU
OBP09 H21
OBP12 H21
OBP15 H21
OBP18 H21
OBP21 H21
OBP24 H21
OBP27 H21
OBP30 H21
OBP33 H21
OBP36 H21
OBP39 H21
OBP42 H21
OBP45 H21
OBP48 H21

## Wall Depth Base - Side Panels: OSPxx H23.75, OSPxx H21

[\\*Return to Table of Contents](#)



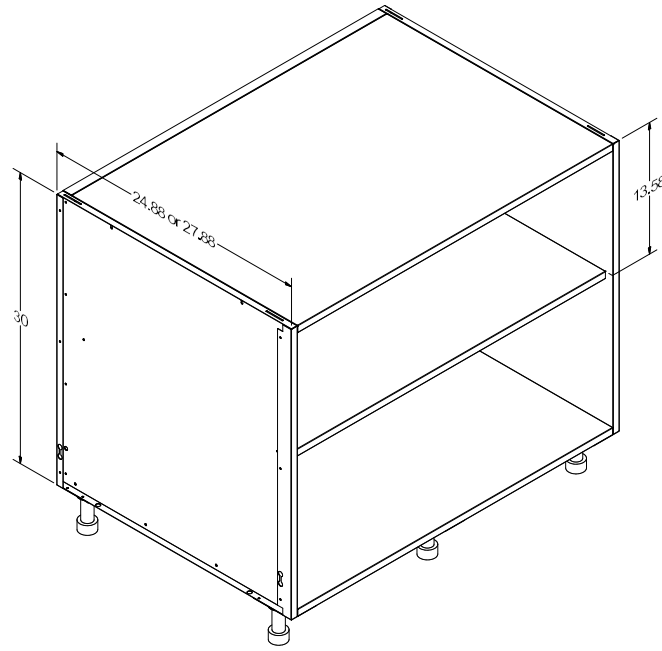
Product Description
OSP xx.xx H23.75: 3/4" Thick 23.75" high side panels for OBFxx H23.75 cabinets. Panels sit flush with door/drawer faces and back panels if used. Specify based on cabinet side and depth (select .75" deeper for use with back panels).
13" Depth x 30"H SKU
OSP 24.88L H23.75
OSP 24.88R H23.75
OSP 25.63L H23.75
OSP 25.63R H23.75
OSP 27.88L H23.75
OSP 27.88R H23.75
OSP 28.63L H23.75
OSP 28.63R H23.75



Product Description
OBPxx H21: 3/4" Thick 21" high back panel for OBFxx H21 cabinets. Fits exact width of cabinet up to 39"W, wider cabinets use two smaller back panels (ex. OBF4202 H21 uses two 21"W back panels).
13" Depth x 30"H SKU
OSP 24.88L H21
OSP 24.88R H21
OSP 25.63L H21
OSP 25.63R H21
OSP 27.88L H21
OSP 27.88R H21
OSP 28.63L H21
OSP 28.63R H21

# Storage Base Cabinets - Open Base Cabinet: OBFxx00

[\\*Return to Table of Contents](#)



Note: OBFxx00 cabinet box depth is 24.88"D or 27.88"D to match total depth of standard cabinets with fronts. Flush end panels (OFE) are available to finish the exposed side seen when OBFxx00 bases are placed next to standard bases. The return flange on the OBFxx00 side is 7/8" longer to line up with adjacent sides.

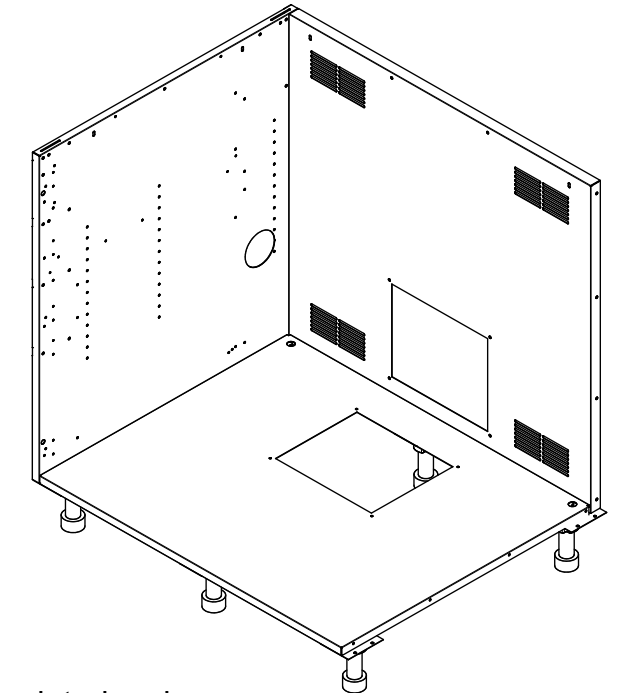
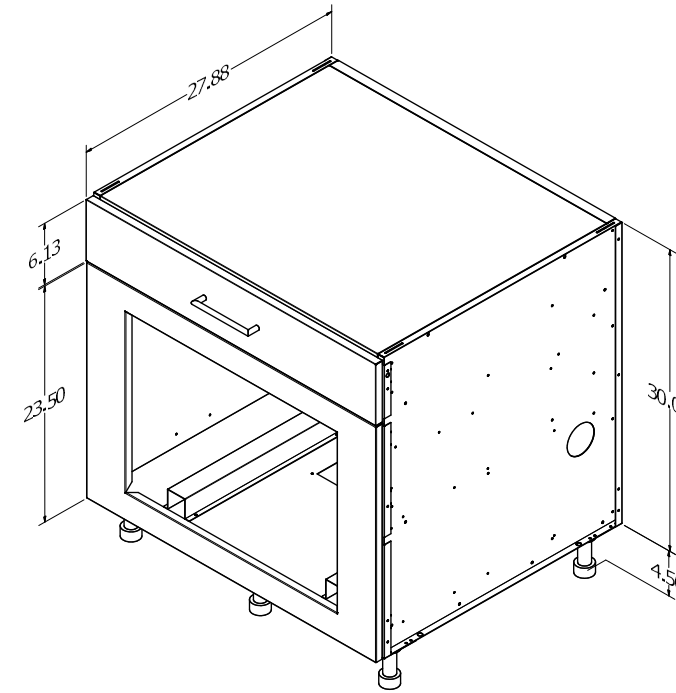
**The interior of OBFxx00 cabinets can be powdercoated but cannot have woodgrain powdercoat applied.**

Product Description	
OBFxx00: Open base cabinet, #4 brushed finish, no drawers/doors, no holes on interior. Includes one full-depth shelf.	
27" Depth SKU	24" Depth SKU
OBF0900	OBF0900-24
OBF1200	OBF1200-24
OBF1500	OBF1500-24
OBF1800	OBF1800-24
OBF2100	OBF2100-24
OBF2400	OBF2400-24
OBF2700	OBF2700-24
OBF3300	OBF3300-24
OBF3600	OBF3600-24
OBF3900	OBF3900-24
OBF4200	OBF4200-24
OBF4500	OBF4500-24
OBF4800	OBF4800-24

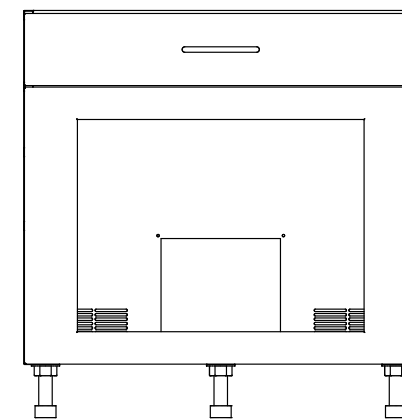
# Storage Base Cabinets - Insert Cabinets: OBIxx10 and OBI4200

[\\*Return to Table of Contents](#)

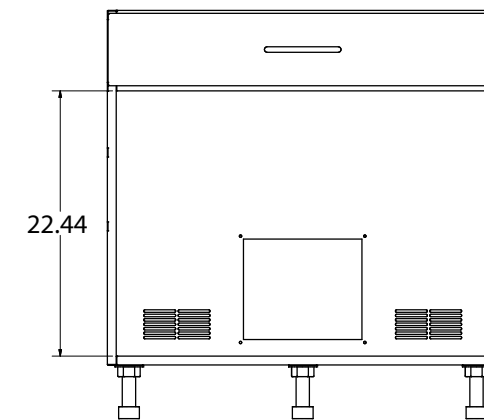
Product Description	
OBIxx10: XX"W x 27"D Base - 1 Upper Drawer, no doors. Made to accept Dry Pantry Storage box or other insert. ***this cabinet needs a trim kit (OBIK).	
27" Depth SKU	24" Depth SKU
OBI3010	OBI3010-24
OBI3610	OBI3610-24



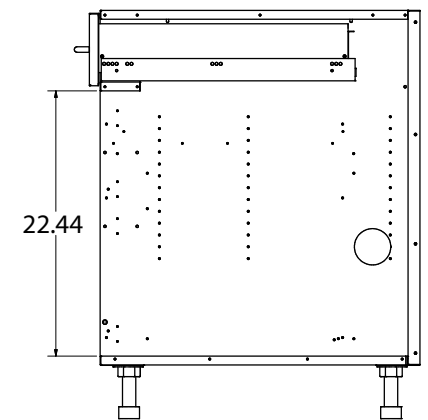
interior view



front view with trim



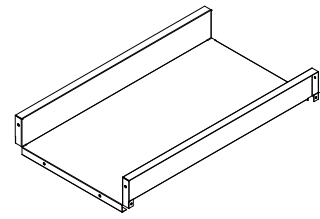
rear view



side view

# Storage Base Cabinets - Drawer Specifications and Volume

[\\*Return to Table of Contents](#)



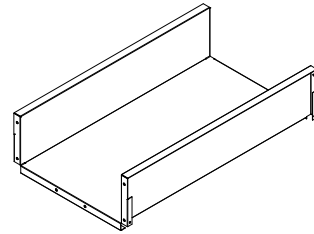
**Small Wrap**

For drawers 6.13h - 8.5h

Height = 2.71

Width = (Cab Width) - 3.82

Depth = 21.05



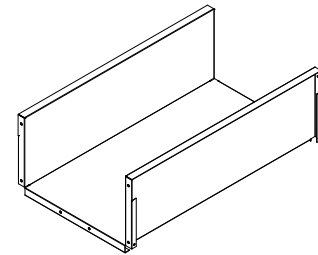
**Medium Wrap**

For drawers 8.63h - 10.5h

Height = 4.71

Width = (Cab Width) - 3.82

Depth = 21.05



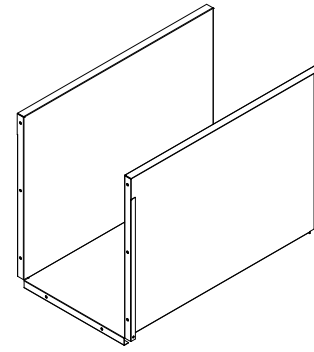
**Large Wrap**

For drawers 11h+

Height = 6.71

Width = (Cab Width) - 3.82

Depth = 21.05



**Full Wrap**

For drawers 29.75h

Height = 11.96

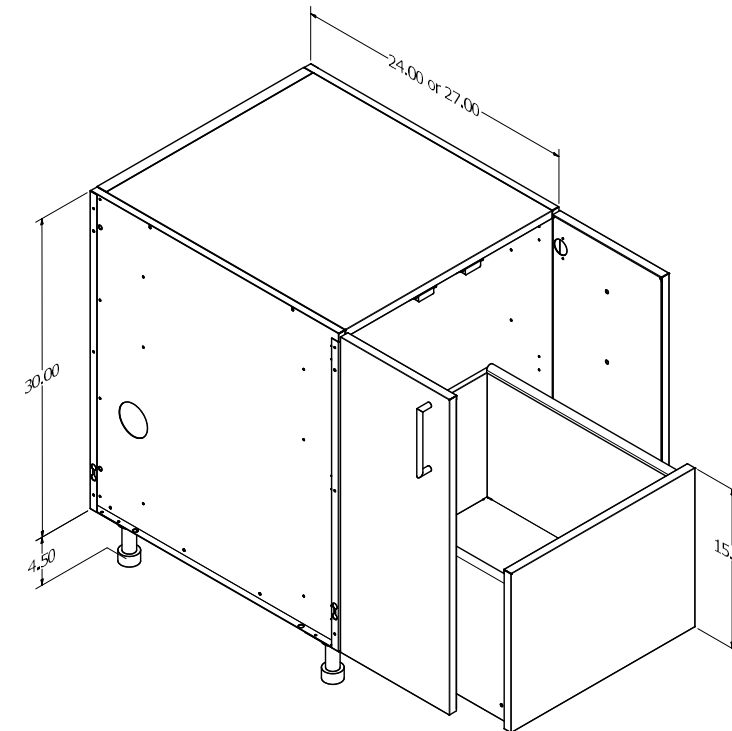
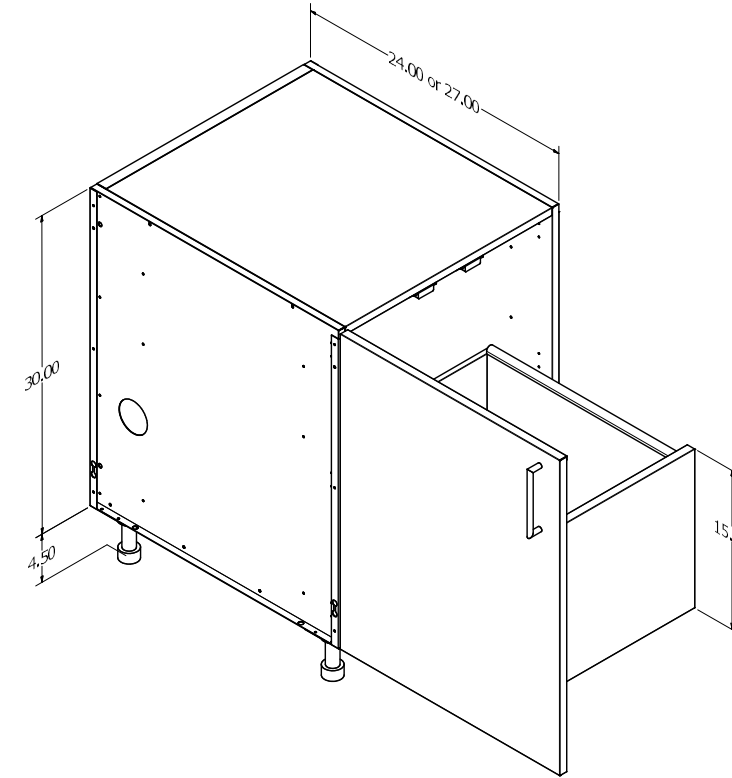
Width = (Cab Width) - 3.82

Depth = 21.05

Note: Subtract 3.82" from cabinet width to determine drawer wrap width. Drawer depth remains the same regardless of cabinet width.

# Storage Base Cabinets - Multi-Drawer: OBFxx1xN

[\\*Return to Table of Contents](#)



## Product Description

OBFxx11 & OBFxx12: 1 Drawer and 1 Full-Height Door (12"-21" wide cabinets) / 1 Drawer and 2 Full-Height Doors (24"-30" wide cabinets). Nested drawer with 18" slides. All door styles available – no matching drawer fronts. Drawer front is Hampton Door Style (slab style) with no handle, pull to open. Will match power coat on cabinet door when applicable. Front: 15"H.

27" Depth SKU	24" Depth SKU
OBF1211N-LH	OBF1211N-24-LH
OBF1211N-RH	OBF1211N-24-RH
OBF1511N-LH	OBF1511N-24-LH
OBF1511N-RH	OBF1511N-24-RH
OBF1811N-LH	OBF1811N-24-LH
OBF1811N-RH	OBF1811N-24-RH
OBF2111N-LH	OBF2111N-24-LH
OBF2111N-RH	OBF2111N-24-RH
OBF2412N	OBF2412N-24
OBF2712N	OBF2712N-24
OBF3012N	OBF3012N-24

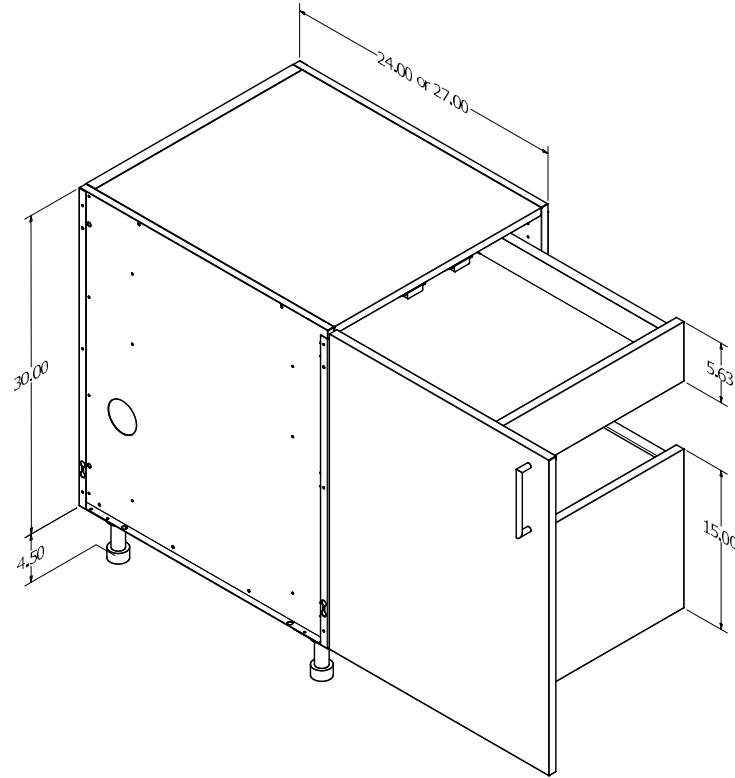
12"-21" width cabinets have one door

24"-30" width cabinets have two doors

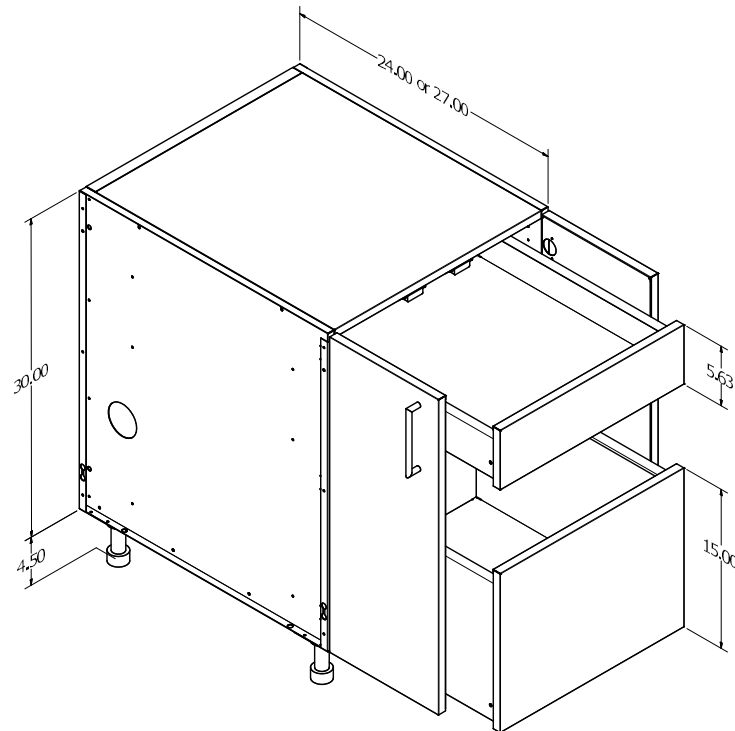
Note: The Dynapro2.0 slide max load weight is 90 lbs.

# Storage Base Cabinets - Multi-Drawer: OBFxx2xN

[\\*Return to Table of Contents](#)



Product Description	
OBFxx21 & OBFxx22: 2 Drawers and 1 Full-Height Door (12"-21" wide cabinets) / 2 Drawers and 2 Full-Height Doors (24"-30" wide cabinets). Nested drawer with 18" slides. All door styles available – no matching drawer fronts. Drawer front is Hampton Door Style (slab style) with no handle, pull to open. Will match power coat on cabinet door when applicable. Top front 5.63"H, bottom front 15"H.	
27" Depth SKU	24" Depth SKU
OBF1221N-LH	OBF1221N-24-LH
OBF1221N-RH	OBF1221N-24-RH
OBF1521N-LH	OBF1521N-24-LH
OBF1521N-RH	OBF1521N-24-RH
OBF1821N-LH	OBF1821N-24-LH
OBF1821N-RH	OBF1821N-24-RH
OBF2121N-LH	OBF2121N-24-LH
OBF2121N-RH	OBF2121N-24-RH
OBF2422N	OBF2422N-24
OBF2722N	OBF2722N-24
OBF3022N	OBF3022N-24



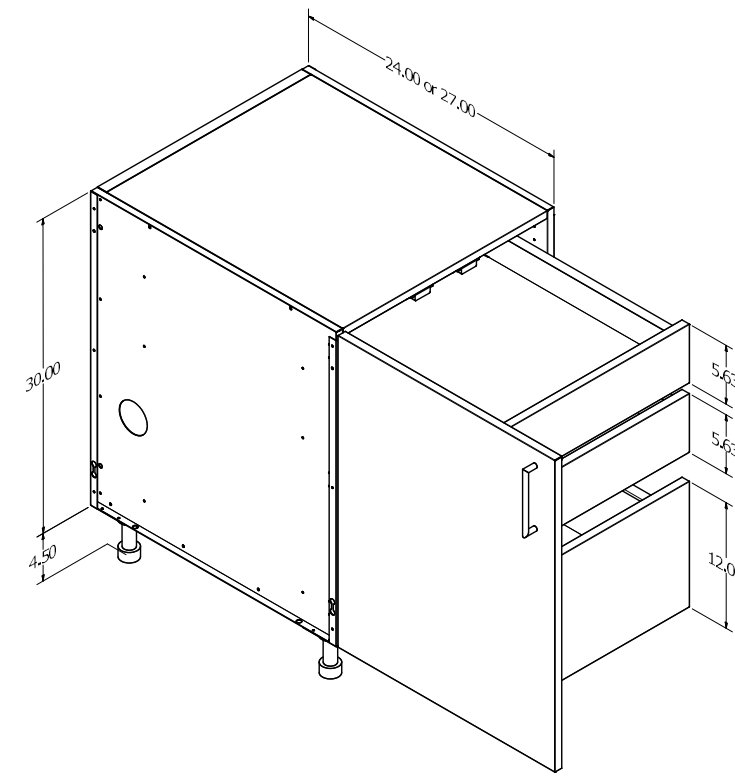
12"-21" width cabinets have one door

24"-30" width cabinets have two doors

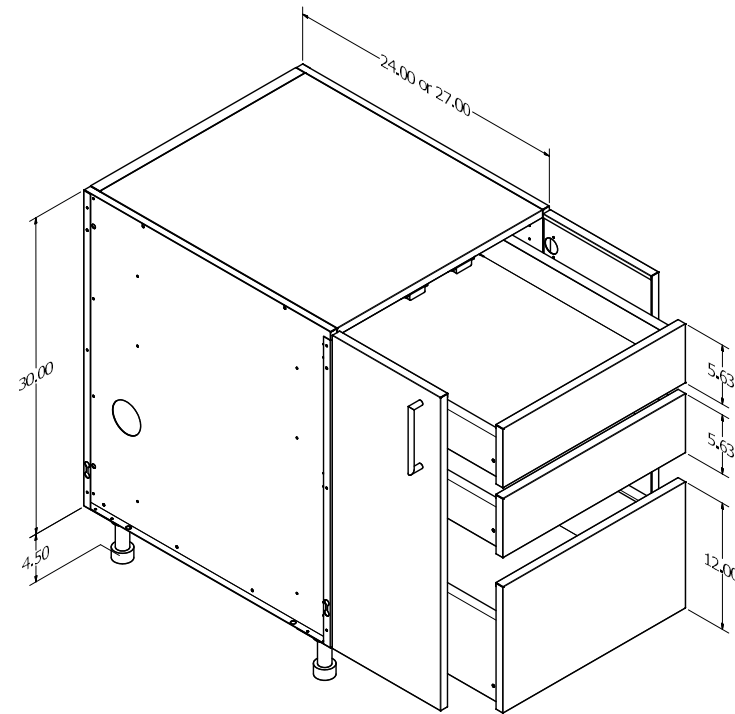
Note: The Dynapro2.0 slide max load weight is 90 lbs.

# Storage Base Cabinets - Multi-Drawer: OBFxx3xN

[\\*Return to Table of Contents](#)



Product Description	
OBFxx31 & OBFxx32: 3 Drawers and 1 Full-Height Door (12"-21" wide cabinets) / 3 Drawers and 2 Full-Height Doors (24"-30" wide cabinets). Nested drawer with 18" slides. All door styles available – no matching drawer fronts. Drawer front is Hampton Door Style (slab style) with no handle, pull to open. Will match power coat on cabinet door when applicable. Top fronts 5.63"H, bottom front 12"H.	
27" Depth SKU	24" Depth SKU
OBF1231N-LH	OBF1231N-24-LH
OBF1231N-RH	OBF1231N-24-RH
OBF1531N-LH	OBF1531N-24-LH
OBF1531N-RH	OBF1531N-24-RH
OBF1831N-LH	OBF1831N-24-LH
OBF1831N-RH	OBF1831N-24-RH
OBF2131N-LH	OBF2131N-24-LH
OBF2131N-RH	OBF2131N-24-RH
OBF2432N	OBF2432N-24
OBF2732N	OBF2732N-24
OBF3032N	OBF3032N-24



12"-21" width cabinets have one door

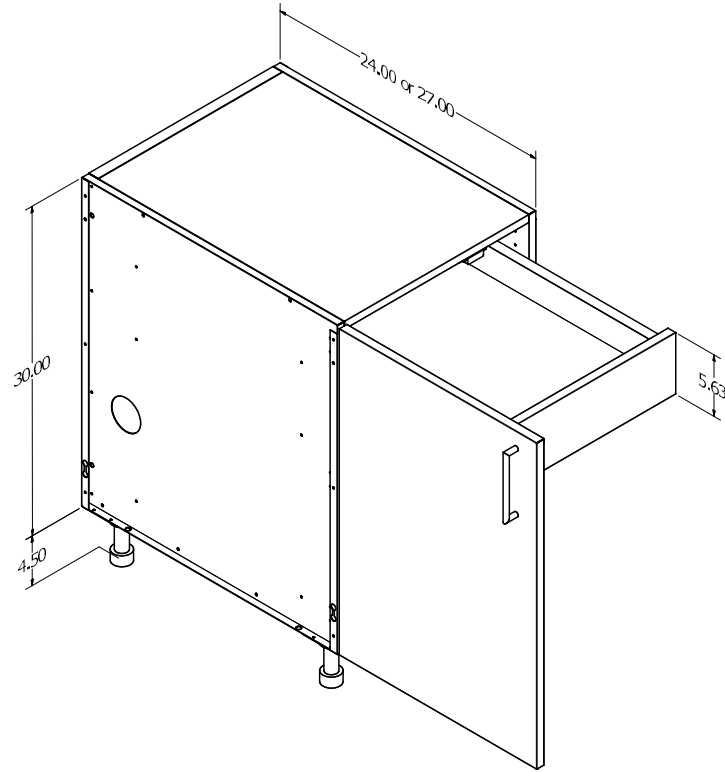
24"-30" width cabinets have two doors

Note: The Dynapro2.0 slide max load weight is 90 lbs.

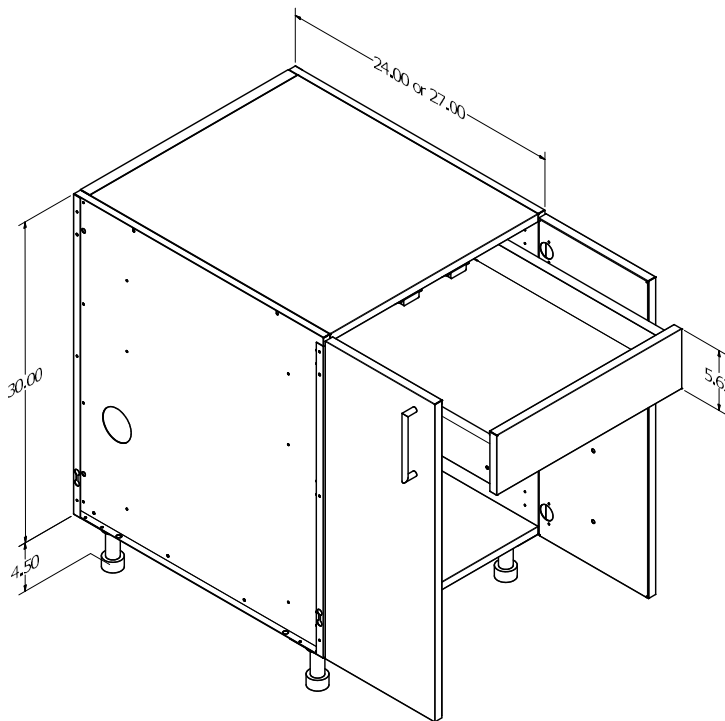


# Storage Base Cabinets - Multi-Drawer: OBFxx1xNT

[\\*Return to Table of Contents](#)



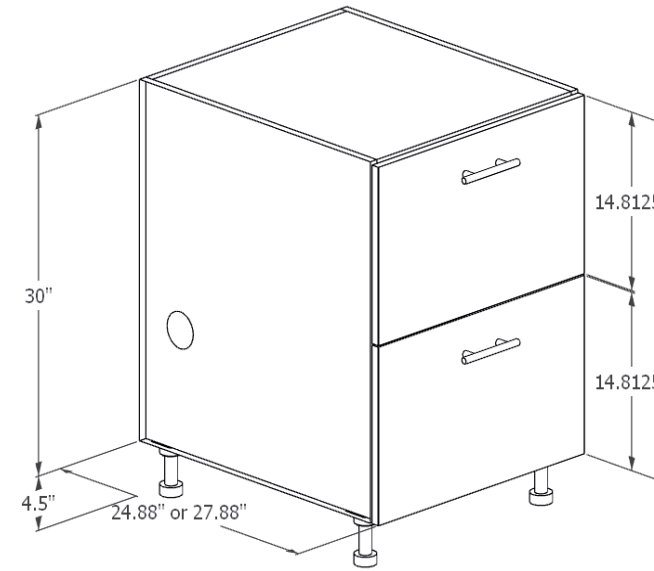
Product Description	
OBFxx11NT & OBFxx12NT: 1 Drawer and 1 Full-Height Door (12"-21" wide cabinets) / 1 Drawer and 2 Full-Height Doors (24"-30" wide cabinets). Nested drawer with 18" slides. All door styles available – no matching drawer fronts. Drawer front is Hampton Door Style (slab style) with no handle, pull to open. Will match powder coat on cabinet door when applicable. Front: 5.63"H.	
27" Depth SKU	24" Depth SKU
OBF1211NT-LH	OBF1211NT-24-LH
OBF1211NT-RH	OBF1211NT-24-RH
OBF1511NT-LH	OBF1511NT-24-LH
OBF1511NT-RH	OBF1511NT-24-RH
OBF1811NT-LH	OBF1811NT-24-LH
OBF1811NT-RH	OBF1811NT-24-RH
OBF2111NT-LH	OBF2111NT-24-LH
OBF2111NT-RH	OBF2111NT-24-RH
OBF2412NT	OBF2412NT-24
OBF2712NT	OBF2712NT-24
OBF3012NT	OBF3012NT-24



12"-21" width cabinets have one door	24"-30" width cabinets have two doors
Note: The Dynapro2.0 slide max load weight is 90 lbs.	

# Storage Base Cabinets - Multi-Drawer: OBMxx20

[\\*Return to Table of Contents](#)

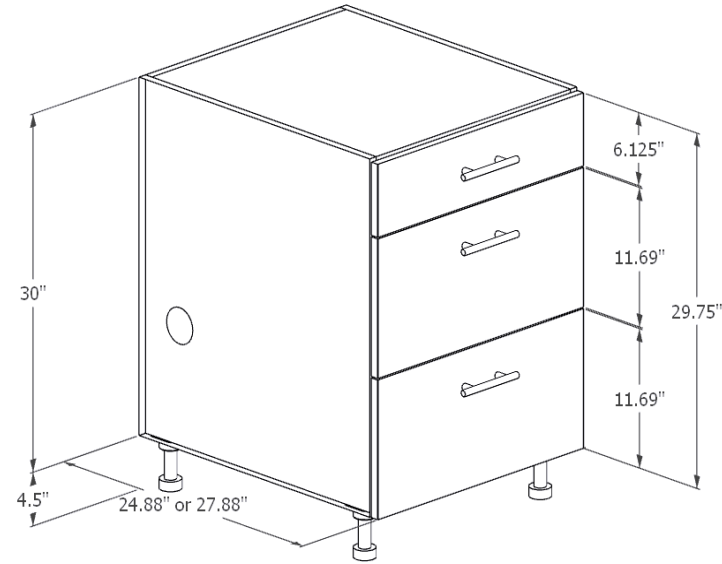


Note: Drawer glides are subject to change between 18" and 21" depth without notice based on supplier availability. The Dynapro2.0 glide max load weight is 90 lbs.

Product Description	
OBMxx20: Multi-Drawer Base, 2 Drawers	
27" Depth SKU	24" Depth SKU
OBM0920	OBM0920-24
OBM1220	OBM1220-24
OBM1520	OBM1520-24
OBM1820	OBM1820-24
OBM2120	OBM2120-24
OBM2420	OBM2420-24
OBM2720	OBM2720-24
OBM3020	OBM3020-24
OBM3320	OBM3320-24
OBM3620	OBM3620-24

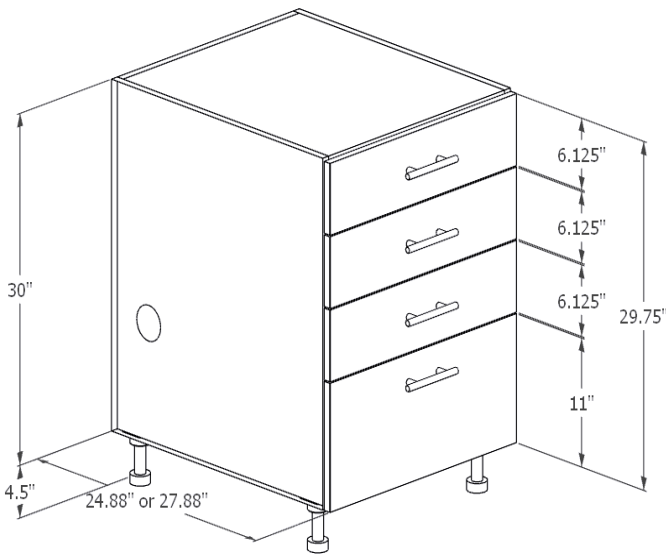
## Storage Base Cabinets - Multi-Drawer: OBMxx30 and OBMxx40

[\\*Return to Table of Contents](#)



Product Description	
OBMxx30: Multi-Drawer Base, 3 Drawers	
27" Depth SKU	24" Depth SKU
OBM0930	OBM0930-24
OBM1230	OBM1230-24
OBM1530	OBM1530-24
OBM1830	OBM1830-24
OBM2130	OBM2130-24
OBM2430	OBM2130-24
OBM2730	OBM2730-24
OBM3030	OBM3030-24
OBM3330	OBM3330-24
OBM3630	OBM3630-24

Note: Drawer glides are subject to change between 18" and 21" depth without notice based on supplier availability. The Dynapro2.0 glide max load weight is 90 lbs.

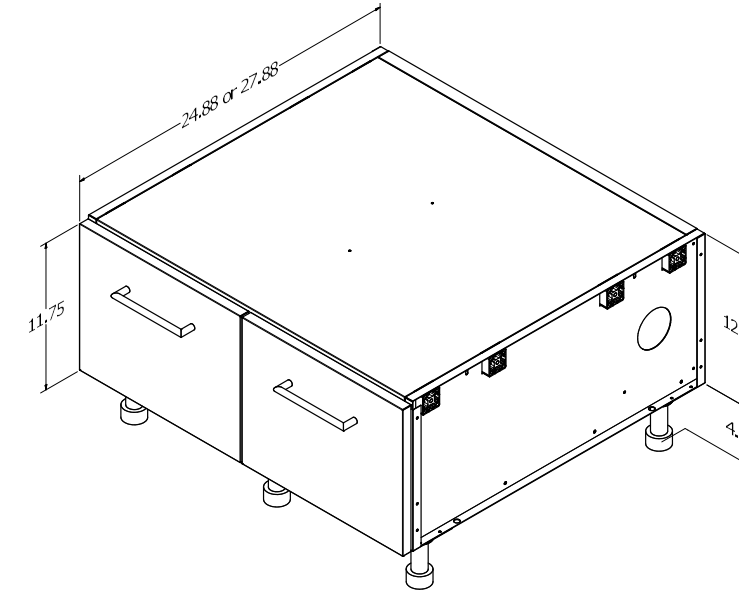


Product Description	
OBMxx40: Multi-Drawer Base, 4 Drawers	
27" Depth SKU	24" Depth SKU
OBM0940	OBM0940-24
OBM1240	OBM1240-24
OBM1540	OBM1540-24
OBM1840	OBM1840-24
OBM2140	OBM2140-24
OBM2440	OBM2440-24
OBM2740	OBM2740-24
OBM3040	OBM3040-24
OBM3340	OBM3340-24
OBM3640	OBM3640-24

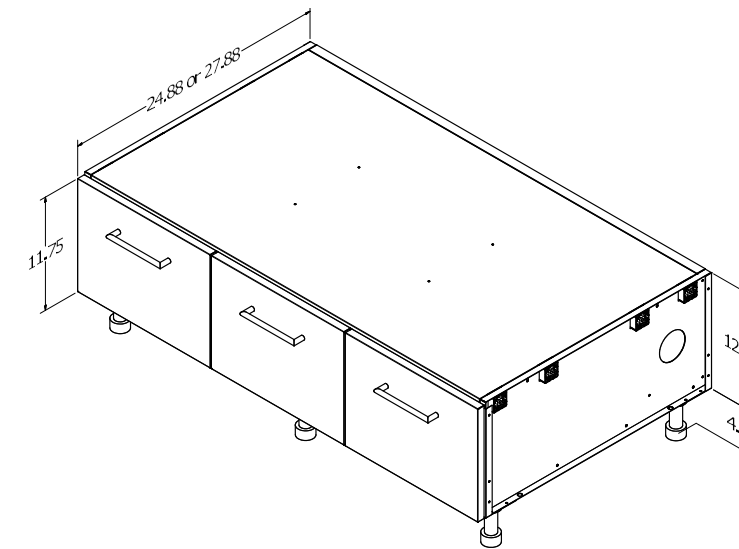
Note: Drawer glides are subject to change between 18" and 21" depth without notice based on supplier availability. The Dynapro2.0 glide max load weight is 90 lbs.

## Storage Base Cabinets - Multi-Drawer Bench: OBMBHxx20 or 30

[\\*Return to Table of Contents](#)



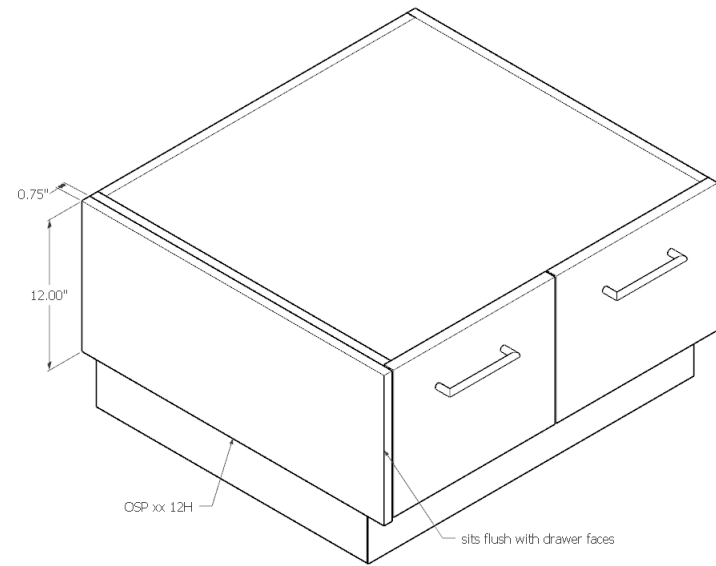
Product Description	
OBMBHxx20: Outdoor Base Multi-Drawer Bench Height, 2 Drawers. 12" box height, 16.5"H overall with legs set at 4.5". 4 extrusions on top for extra support. Can use Ceramic Egg on units.	
27" Depth SKU	24" Depth SKU
OBMBH3020	OBMBH3020-24
OBMBH3620	OBMBH3620-24
OBMBH4220	OBMBH4220-24



Product Description	
OBMBHxx30: Outdoor Base Multi-Drawer Bench Height, 3 Drawers. 12" box height, 16.5"H overall with legs set at 4.5". 4 extrusions on top for extra support. Can use Ceramic Egg on units.	
27" Depth SKU	24" Depth SKU
OBMBH4830	OBMBH4830-24

# Multi-Drawer Bench - Side Panels: OSP xxL/R 12H

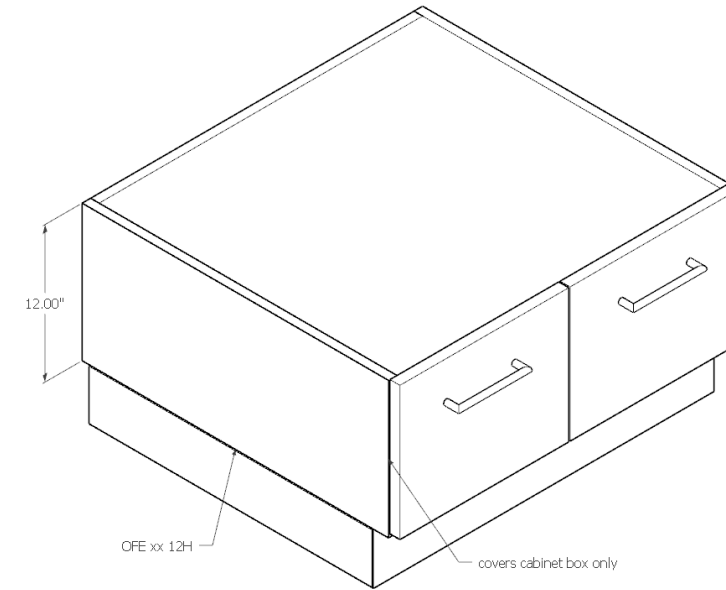
[\\*Return to Table of Contents](#)



Product Description	
OSP: 3/4" Thick side panels for base cabinets. Panels sit flush with door/drawer faces and back panels if used. Specify based on cabinet side and depth (select .75" deeper for use with back panels). 12"H for Bench Height bases.	
24" Depth x 12" High SKU	
OSP 24.88L 12H	
OSP 24.88R 12H	
OSP 25.63L 12H	24"D Cabinet with back panel
OSP 25.63R	24"D Cabinet with back panel
27" Depth x 12" High SKU	
OSP 27.88L 12H	
OSP 27.88R 12H	
OSP 28.63L 12H	27"D Cabinet with back panel
OSP 28.63R 12H	27"D Cabinet with back panel

# Multi-Drawer Bench - Flush End Panels: OFE xxL/R 12H

[\\*Return to Table of Contents](#)

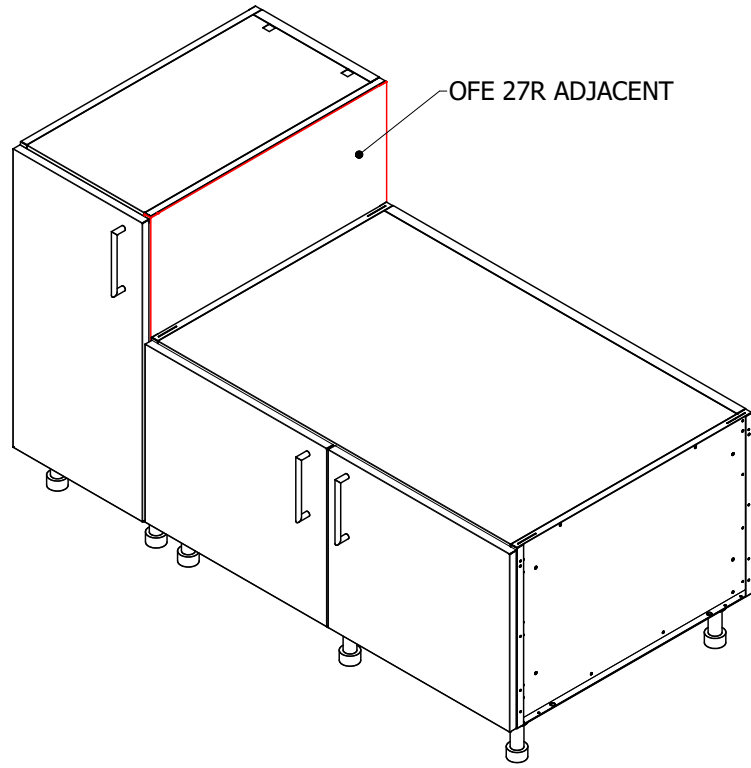


Product Description	
OFE: Base bench cabinet flush end panel, 12"H. Sits flush to cabinet side, specify based on cabinet side and depth. No round access hole cutout or attachment holes for ORS.	
27" Depth SKU	24" Depth SKU
OFE 27L 12H	OFE 24L 12H
OFE 27R 12H	OFE 24R 12H

Product Description	
OFEFGF: Base bench height cabinet galvanized flush end panel, 12"H. Sits flush in cabinet side, used to fill in cabinet side for adhering waterfall countertops and other materials. Specify based on cabinet depth.	
27" Depth SKU	24" Depth SKU
OFEFGF27 12H	OFEFGF24 12H

# Multi-Drawer Bench - Connecting Panels: OFE xxL/R ADJACENT

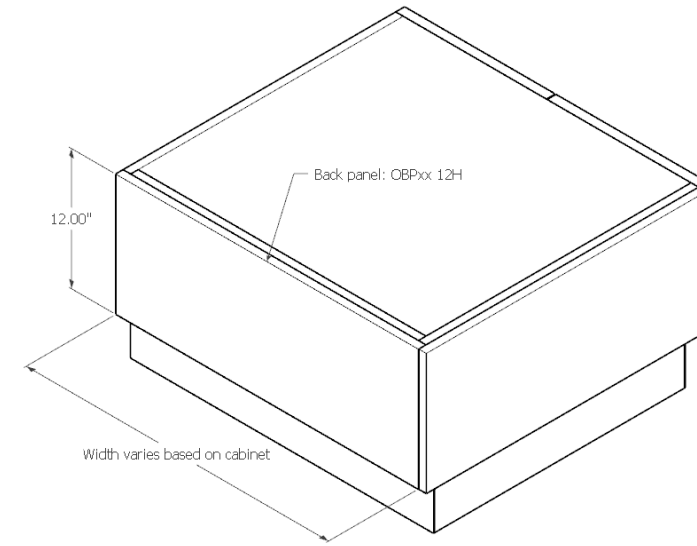
[\\*Return to Table of Contents](#)



Product Description	
<p>OFE ADJACENT: Base cabinet flush side panel. Sits flush to cabinet side, specify based on cabinet side and depth. Used between standard height and shorter height cabinets. Includes attachment holes at bottom for adjacent cabinetry. No round access hole cutout or attachment holes for ORS.</p>	
<p>24"/27"D x 30"H Finished end LEFT/RIGHT, flush to cabinet side. Used between standard height and shorter height cabinets. Includes attachment holes at bottom for adjacent cabinetry.</p>	
27" Depth SKU	24" Depth SKU
OFE 27L ADJACENT	OFE 24L ADJACENT
OFE 27R ADJACENT	OFE 24R ADJACENT

# Multi-Drawer Bench - Back Panels: OBPxx 12H

[\\*Return to Table of Contents](#)

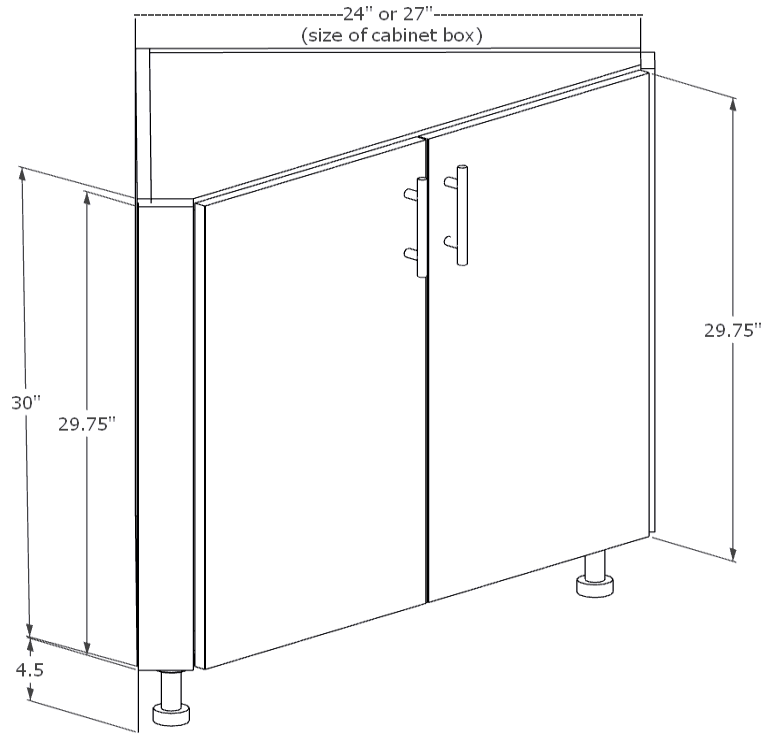


Product Description	
<p>OBP: 3/4" Thick back panel 12" high, fits exact width of Bench Height cabinet up to 42"W, wider cabinets use two smaller back panels. (Example: OBMBH4203 uses two 21"W back panels).</p>	
SKU	Description
OBP21 12H	21" back panel, 12"H
OBP24 12H	24" back panel, 12"H
OBP30 12H	30" back panel, 12"H
OBP36 12H	36" back panel, 12"H



# Corner Base Cabinets - Angle End: AEBxx02

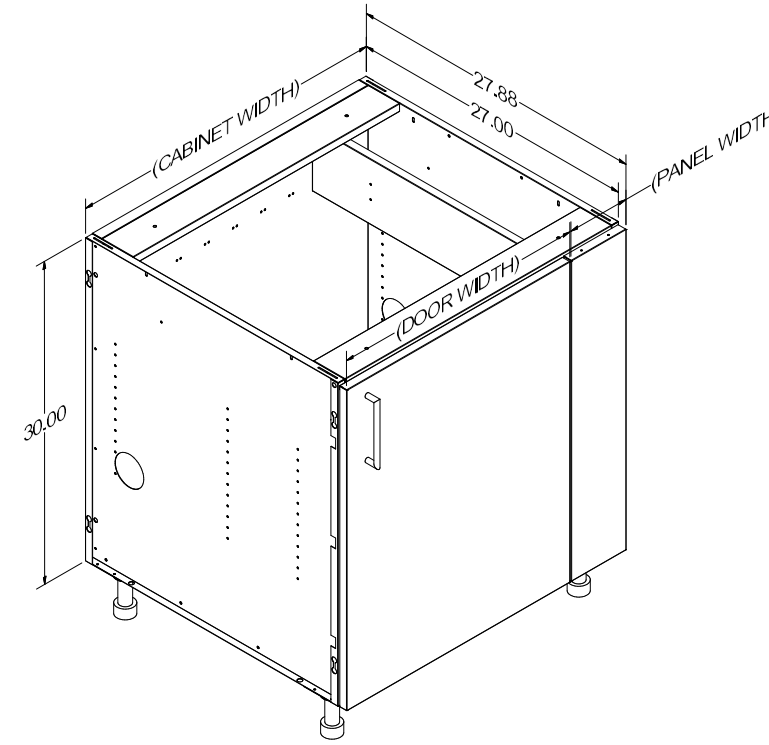
[\\*Return to Table of Contents](#)



Product Description	
AEBxx02: Angle End Corner Base, 2 Doors. Includes adjustable half-depth shelf.	
NOTE: 27" cabinets door width 16.81"	
24" cabinet door width 14.69"	
27" Depth SKU	24" Depth SKU
AEB2702	AEB2402

# Corner Base Cabinets - Blind Corner Base: BCBxx01

[\\*Return to Table of Contents](#)

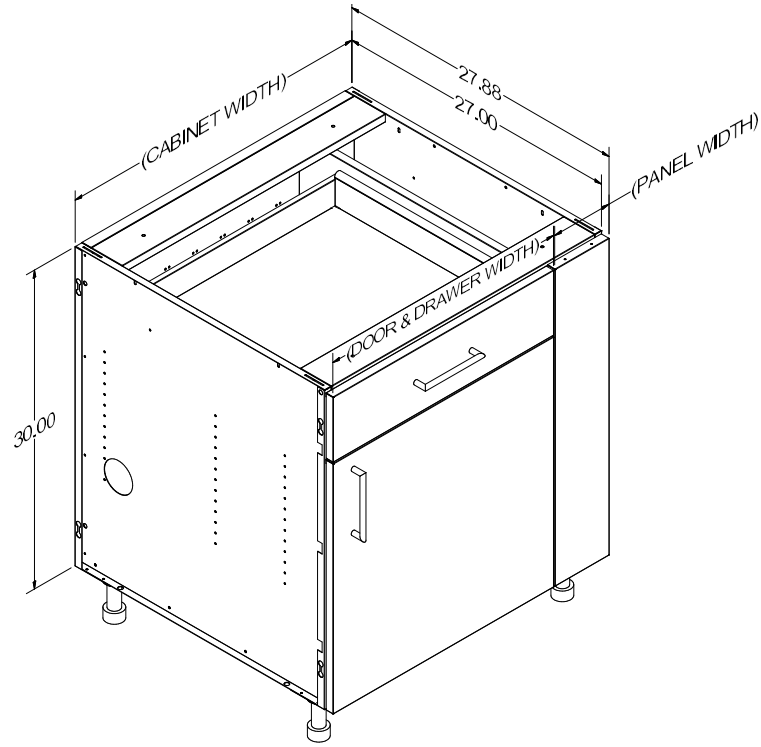


Product Description	
BCBxx01: Blind Corner Base, 1 door. *MUST SPECIFY DOOR PLACEMENT, DOOR WIDTH, & PANEL WIDTH IN PART NOTES, SEE SIZING MATRIX!* Example on left shows a BCB4801-LH with a 18" wide door and 30" wide panel.	
NOTE: 27" cabinets come with adjustable half-depth shelf, 24" cabinets come with adjustable full-depth shelf.	
27" Depth SKU	24" Depth SKU
BCB3001-LH	BCB3001-24-LH
BCB3001-RH	BCB3001-24-RH
BCB3601-LH	BCB3601-24-LH
BCB3601-RH	BCB3601-24-RH
BCB4201-LH	BCB4201-24-LH
BCB4201-RH	BCB4201-24-RH
BCB4501-LH	BCB4501-24-LH
BCB4501-RH	BCB4501-24-RH
BCB4801-LH	BCB4801-24-LH
BCB4801-RH	BCB4801-24-RH

Blind Corner Base Matrix: Panel Width in bold, Door Width in center												
	6	9	12	15	18	21	24	27	30	33	36	39
Cabinet Width	30	24	21	18	15	12	9					
	33		24	21	18	15	12	9				
	36			24	21	18	15	12	9			
	39				24	21	18	15	12	9		
	42					24	21	18	15	12	9	
	45						24	21	18	15	12	9
	48							24	21	18	15	12

# Corner Base Cabinets - Blind Corner Base: BCBxx11

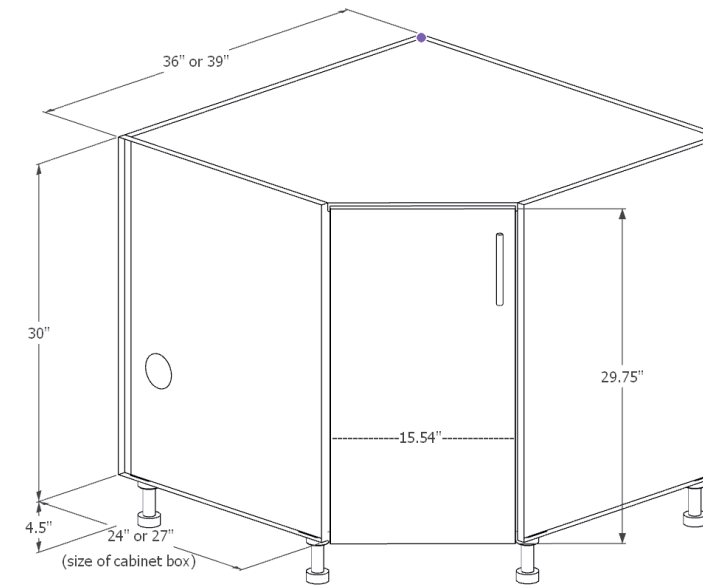
[\\*Return to Table of Contents](#)



Product Description	
BCBxx11: Blind Corner Base, 1 drawer, 1 door. *MUST SPECIFY DOOR PLACEMENT, DOOR WIDTH, & PANEL WIDTH IN PART NOTES, SEE SIZING MATRIX!* Example on left shows a BCB4811-LH with a 18" wide drawer/door and 30" wide panel.	
NOTE: 27" cabinets come with adjustable half-depth shelf, 24" cabinets come with adjustable full-depth shelf.	
27" Depth SKU	24" Depth SKU
BCB3011-LH	BCB3011-24-LH
BCB3011-RH	BCB3011-24-RH
BCB3611-LH	BCB3611-24-LH
BCB3611-RH	BCB3611-24-RH
BCB4211-LH	BCB4211-24-LH
BCB4211-RH	BCB4211-24-RH
BCB4511-LH	BCB4511-24-LH
BCB4511-RH	BCB4511-24-RH
BCB4811-LH	BCB4811-24-LH
BCB4811-RH	BCB4811-24-RH

# Corner Base Cabinets - Diagonal Corner: DCBxx

[\\*Return to Table of Contents](#)



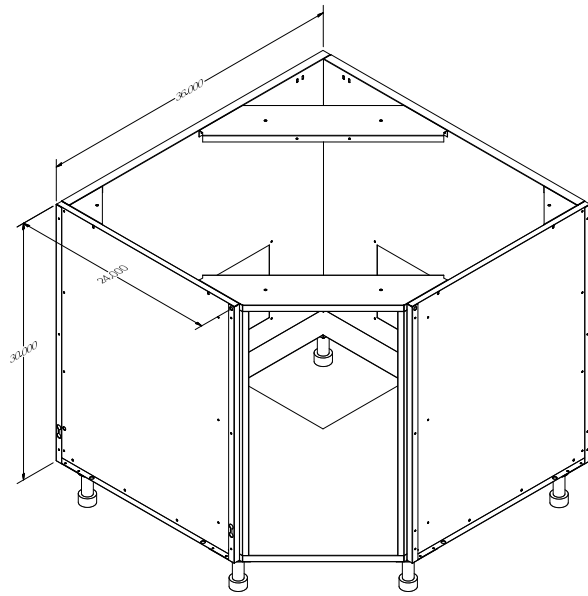
Product Description	
DCBxx: Diagonal Corner Base, 1 Door. Includes full-depth shelf. DCB39 matches cabinets of 27" depth, DCB36 matches cabinets of 24" depth. Note: 1" wide or greater front fillers are recommended on either side of cabinet for clearance.	
27" Depth SKU	24" Depth SKU
DCB39-LH	DCB36-LH
DCB39-RH	DCB36-RH

**Blind Corner Base Matrix: Panel Width in bold, Door Width in center**

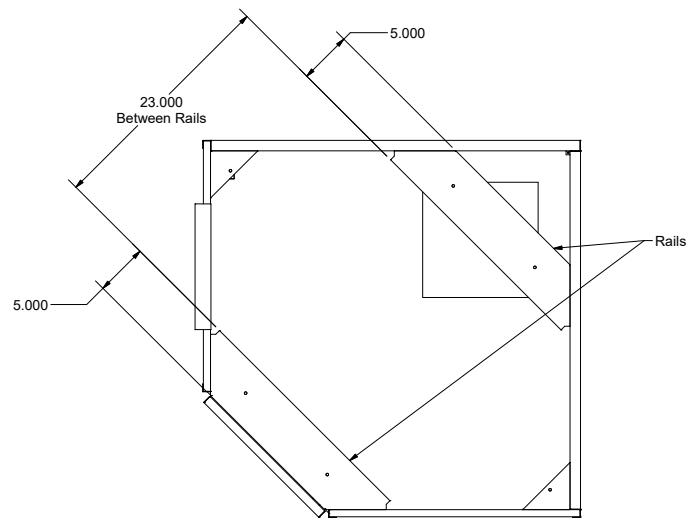
	6	9	12	15	18	21	24	27	30	33	36	39
30	24	21	18	15	12	9						
33		24	21	18	15	12	9					
36			24	21	18	15	12	9				
39				24	21	18	15	12	9			
42					24	21	18	15	12	9		
45						24	21	18	15	12	9	
48							24	21	18	15	12	9

# Corner Base Cabinets - Diagonal Corner Sink Base: DCBSxx

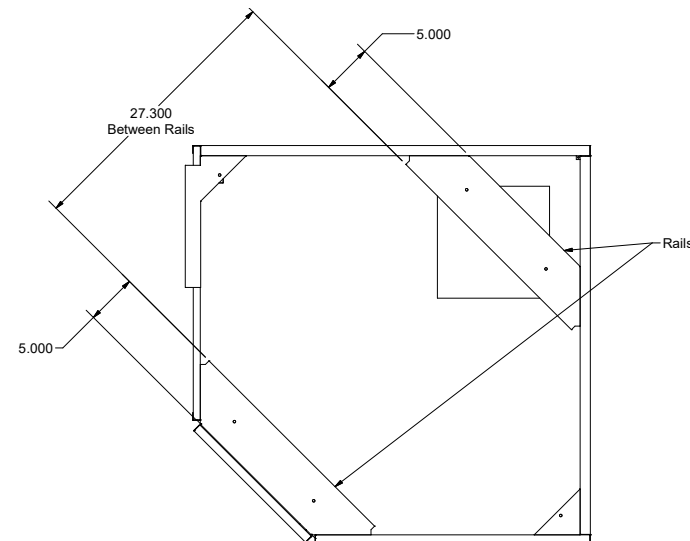
[\\*Return to Table of Contents](#)



Product Description	
DCBSxx: Diagonal Corner Sink Base, 1 Door. DCBS39 matches cabinets of 27" depth, DCBS36 matches cabinets of 24" depth. Note: 1" wide or greater front fillers are recommended on either side of cabinet for clearance.	
27" Depth SKU	24" Depth SKU
DCBS39-LH	DCBS36-LH
DCBS39-RH	DCBS36-RH



DCBS36 Cabinet Sink Spacing

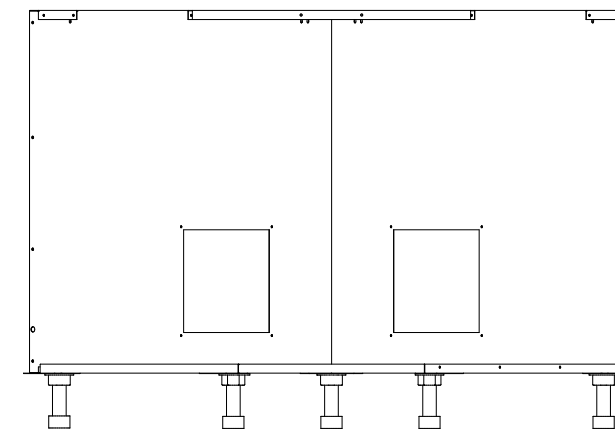
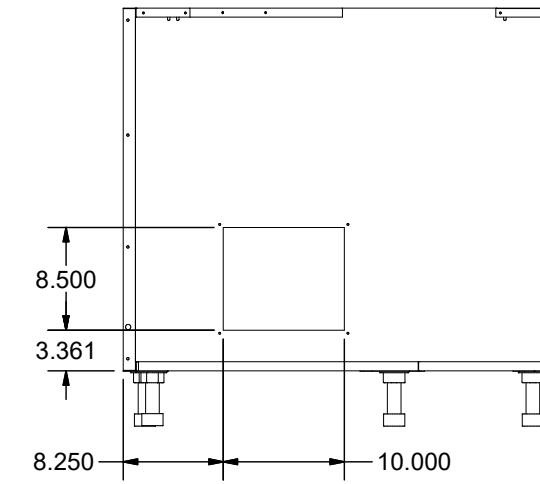


DCBS39 Cabinet Sink Spacing

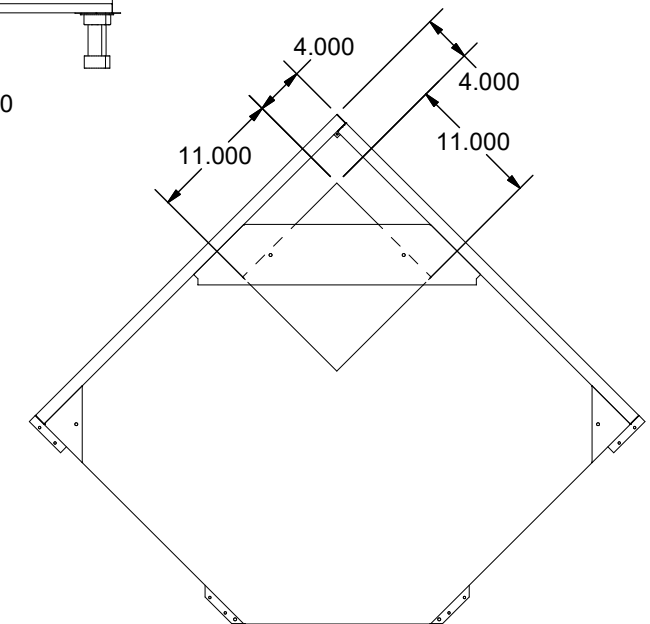
# Corner Base Cabinets - Diagonal Corner Sink Base: DCBSxx

[\\*Return to Table of Contents](#)

A  
↓



FRONT VIEW

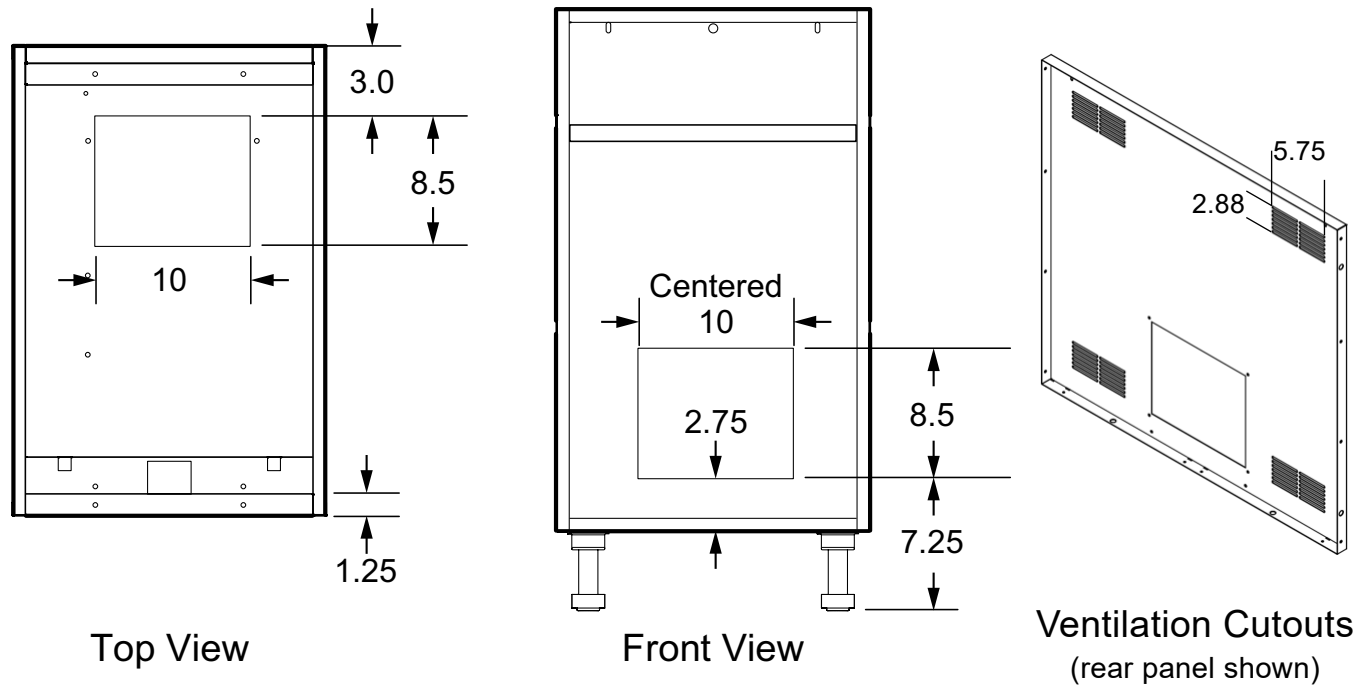


TOP VIEW

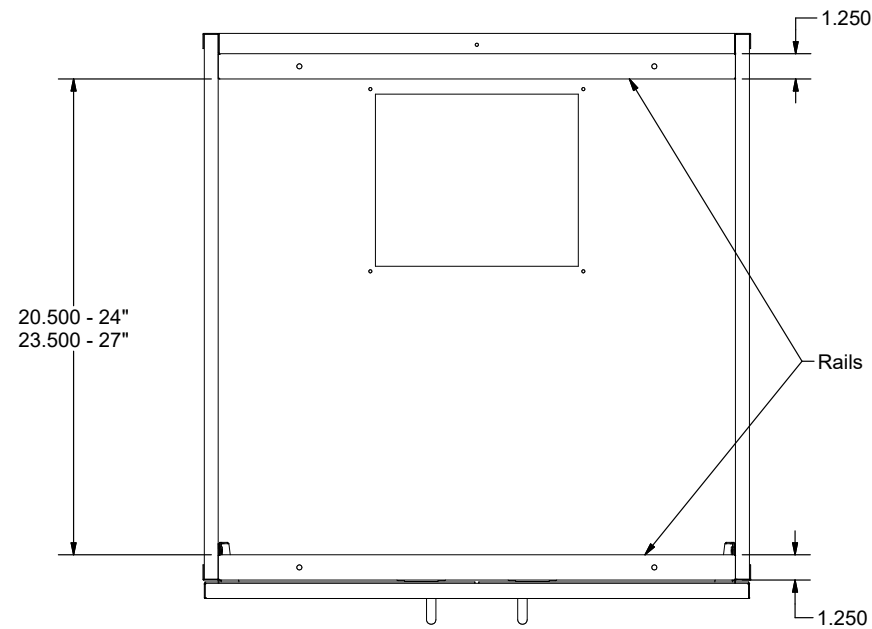
# Sink Base Cabinets - OBSxxxx cutouts

[\\*Return to Table of Contents](#)

All OBS (Sink Base Cabinets) have pre-cut openings in the rear and bottom panels as well as standard side openings for plumbing and electrical conduit. Cabinet comes with two (2) opening covers. Gas appliance ventilation cutout dimensions are 2.88" x 5.75". Cutouts come with vented covers.



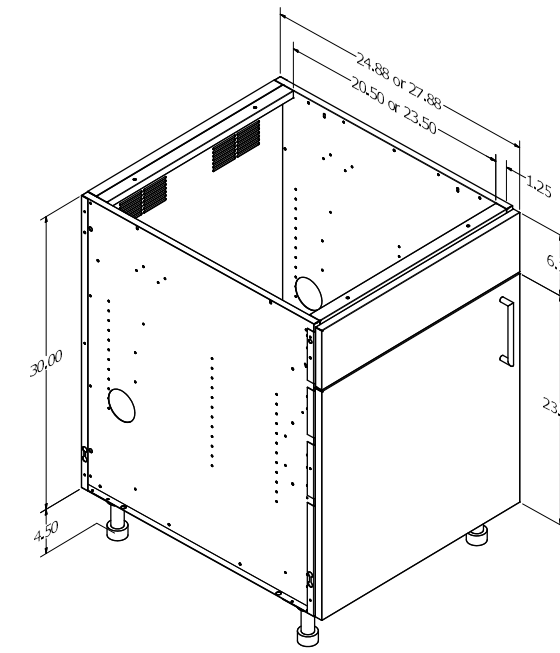
## Plan View



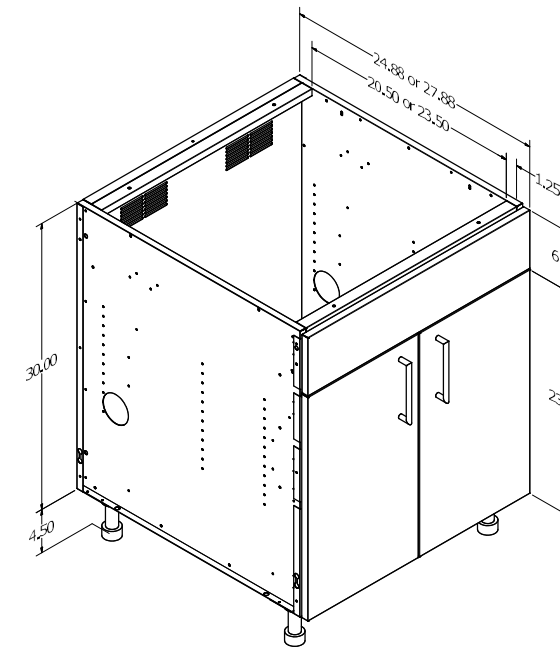
OBS Cabinet 24"/27" Depth Sink Spacing

# Sink Base Cabinets - False Front: OBSxx01, OBSxx02

[\\*Return to Table of Contents](#)



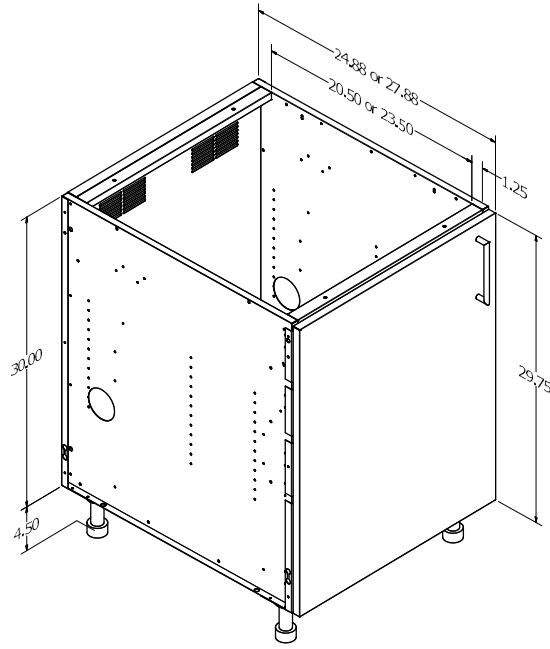
Product Description	
OBSxx01: Outdoor Sink Base, false Drawer front, 1 Door.	
27" Depth SKU	24" Depth SKU
OBS1201-LH	OBS1201-24-LH
OBS1201-RH	OBS1201-24-RH
OBS1501-LH	OBS1501-24-LH
OBS1501-RH	OBS1501-24-RH
OBS1801-LH	OBS1801-24-LH
OBS1801-RH	OBS1801-24-RH
OBS2101-LH	OBS2101-24-LH
OBS2101-RH	OBS2101-24-RH
OBS2401-LH	OBS2401-24-LH
OBS2401-RH	OBS2401-24-RH



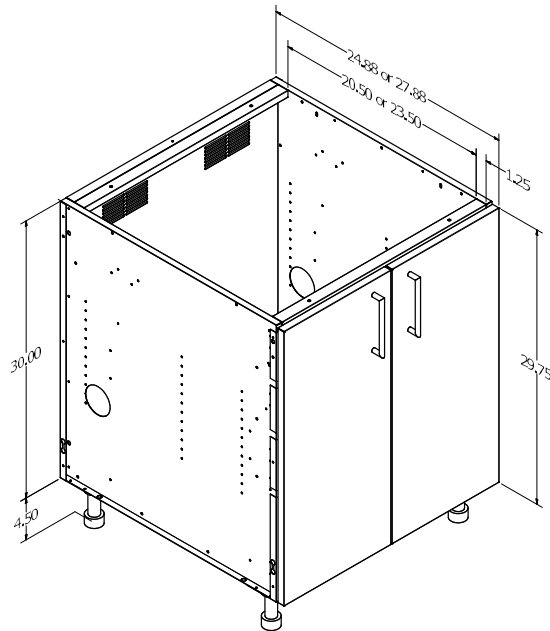
Product Description	
OBSxx02: Outdoor Sink Base, false Drawer front, 2 Doors.	
27" Depth SKU	24" Depth SKU
OBS2402	OBS2402-24
OBS2702	OBS2702-24
OBS3002	OBS3002-24
OBS3302	OBS3302-24
OBS3602	OBS3602-24
OBS3902	OBS3902-24
OBS4202	OBS4202-24
OBS4502	OBS4502-24
OBS4802	OBS4802-24

## Sink Base Cabinets - Full-Height Door: OBSxxxx-FHD

[\\*Return to Table of Contents](#)



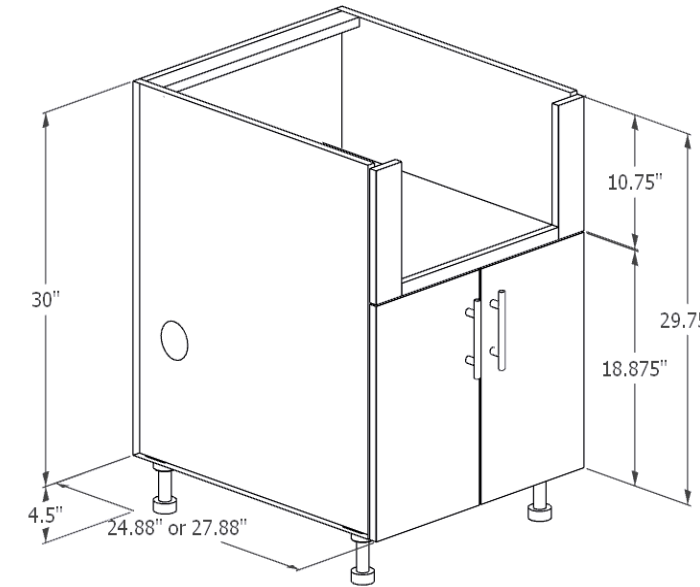
Product Description	
OBSxx01-FHD: Outdoor Sink Base, 1 Full-Height Door	
27" Depth SKU	24" Depth SKU
OBS1201-FHD-LH	OBS1201-24-FHD-LH
OBS1201-FHD-RH	OBS1201-24-FHD-RH
OBS1501-FHD-LH	OBS1501-24-FHD-LH
OBS1501-FHD-RH	OBS1501-24-FHD-RH
OBS1801-FHD-LH	OBS1801-24-FHD-LH
OBS1801-FHD-RH	OBS1801-24-FHD-RH
OBS2101-FHD-LH	OBS2101-24-FHD-LH
OBS2101-FHD-RH	OBS2101-24-FHD-RH
OBS2401-FHD-LH	OBS2401-24-FHD-LH
OBS2401-FHD-RH	OBS2401-24-FHD-RH



Product Description	
OBSxx02-FHD: Outdoor Sink Base, 2 Full-Height Doors	
27" Depth SKU	24" Depth SKU
OBS2402-FHD	OBS2402-24-FHD
OBS2702-FHD	OBS2702-24-FHD
OBS3002-FHD	OBS3002-24-FHD
OBS3302-FHD	OBS3302-24-FHD
OBS3602-FHD	OBS3602-24-FHD
OBS3902-FHD	OBS3902-24-FHD
OBS4202-FHD	OBS4202-24-FHD
OBS4502-FHD	OBS4502-24-FHD
OBS4802-FHD	OBS4802-24-FHD

## Sink Base Cabinets - Farm Sink Bases: OBSxxxxH11-FARM

[\\*Return to Table of Contents](#)

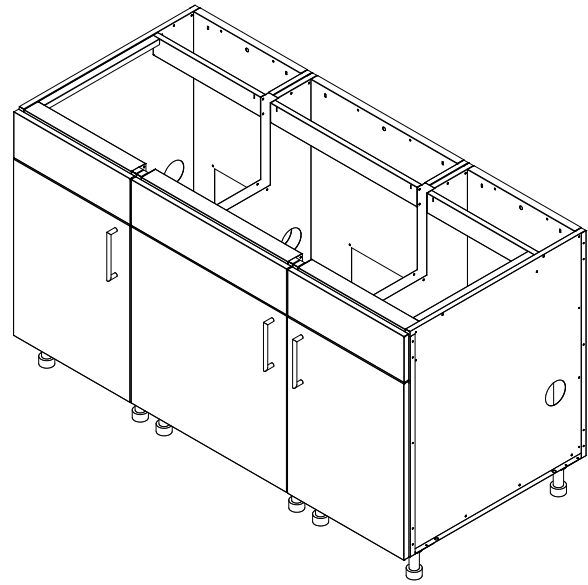


Product Description	
OBSxx02H11-FARM: Outdoor Sink Base for Farm/ Apron sinks, 2 Full height doors (1 door available for 24"W), specify sink for trim kit.	
NOTE: Trim Kit does not include sink support brackets	
27" Depth SKU	24" Depth SKU
OBS2401H11-FARM-LH	OBS2401H11-24-FARM-LH
OBS2401H11-FARM-RH	OBS2401H11-24-FARM-RH
OBS2402H11-FARM	OBS2402H11-24-FARM
OBS2702H11-FARM	OBS2702H11-24-FARM
OBS3002H11-FARM	OBS3002H11-24-FARM
OBS3302H11-FARM	OBS3302H11-24-FARM
OBS3602H11-FARM	OBS3602H11-24-FARM
OBS3902H11-FARM	OBS3902H11-24-FARM
OBS4202H11-FARM	OBS4202H11-24-FARM
OBS4502H11-FARM	OBS4502H11-24-FARM
OBS4802H11-FARM	OBS4802H11-24-FARM



# Sink Base Cabinets - Galley Sink Bases: OBSxxxx GALLEY

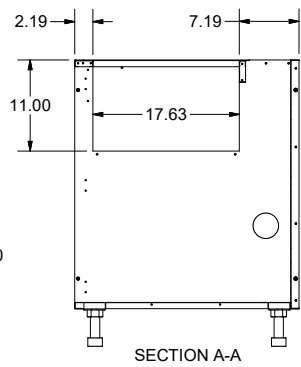
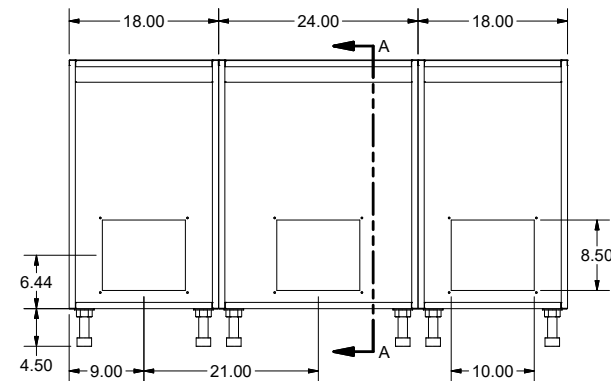
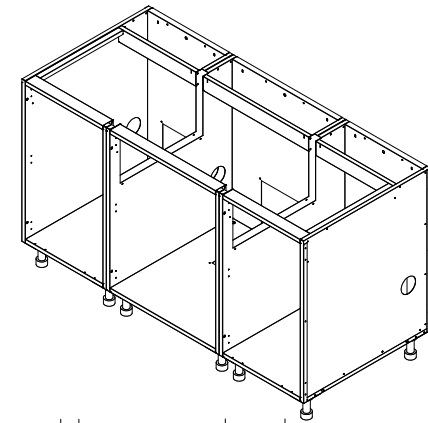
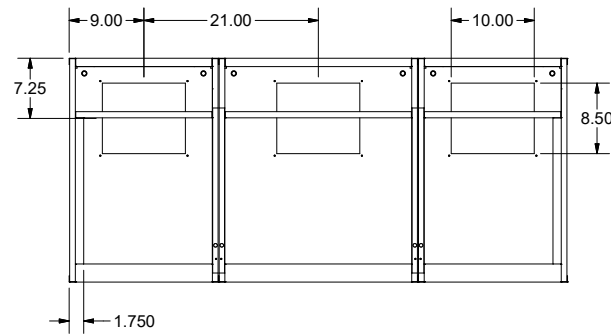
[\\*Return to Table of Contents](#)



Note: 3 doors (not shown) may be hinged in any combination.

Product Description	
OBSxx0y Galley: Outdoor Sink Base for Galley Sinks only. Consists of multiple smaller sink bases with cutouts to support Galley Sinks. Either made with False Front or Full Height Door (-FHD). *See table below for cabinet and back panel configuration.*	
27" Depth SKU	24" Depth SKU
v GALLEY	OBS3002-24 GALLEY
OBS3602 GALLEY	OBS3602-24 GALLEY
OBS4802 GALLEY	OBS4802-24 GALLEY
OBS6003 GALLEY	OBS6003-24 GALLEY
OBS3002-FHD GALLEY	OBS3002-24-FHD GALLEY
OBS3602-FHD GALLEY	OBS3602-24-FHD GALLEY
OBS4802-FHD GALLEY	OBS4802-24-FHD GALLEY
OBS6003-FHD GALLEY	OBS6003-24-FHD GALLEY
OBS7203-FHD GALLEY	OBS7203-24-FHD GALLEY
OBS8404-FHD GALLEY	OBS8404-24-FHD GALLEY

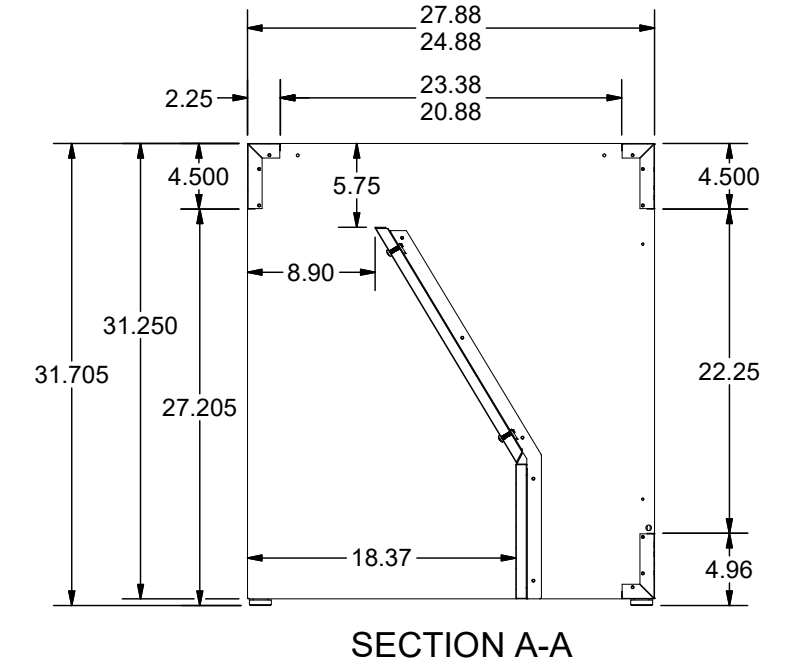
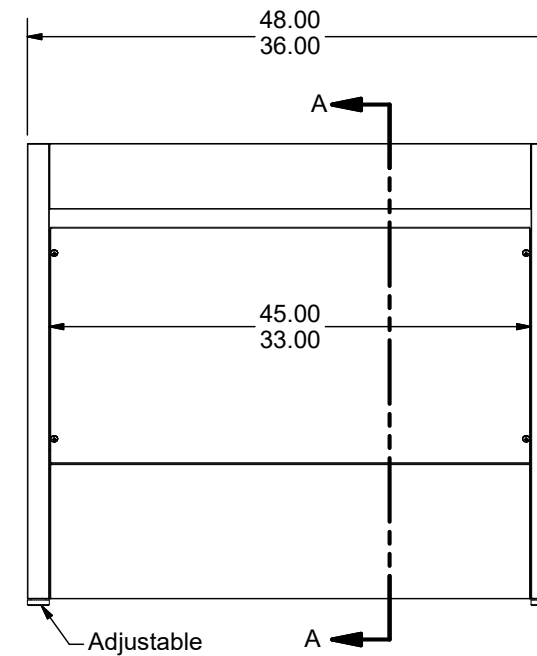
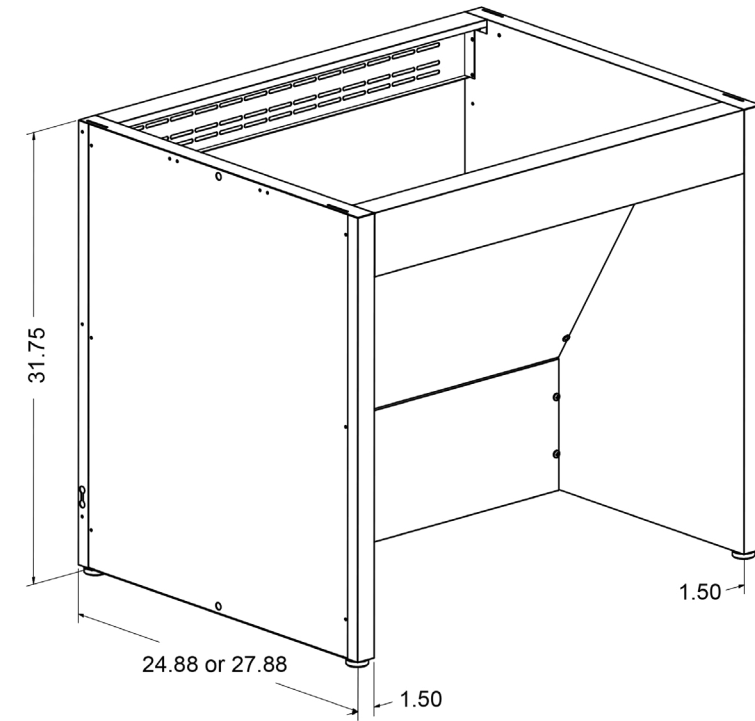
Galley OBP SKU	Cabinet/OBP Configuration
OBS3002 GALLEY	1-30" cabinet, OBP30
OBS3602 GALLEY	1-36" cabinet, OBP36
OBS4802 GALLEY	2-24" cabinets, 2-OBP24
OBS6003 GALLEY	2-18" cabinets, 1-24" cabinet
OBP60GALLEYBPKIT	2-OBP18, 1-OBP24
OBP72GALLEYBPKIT	3-24" cabinets, 3-OBP24
OBP84GALLEYBPKIT	4-21" cabinets, 4-OBP21



# Sink Base Cabinets - OBSxx00 ADA

[\\*Return to Table of Contents](#)

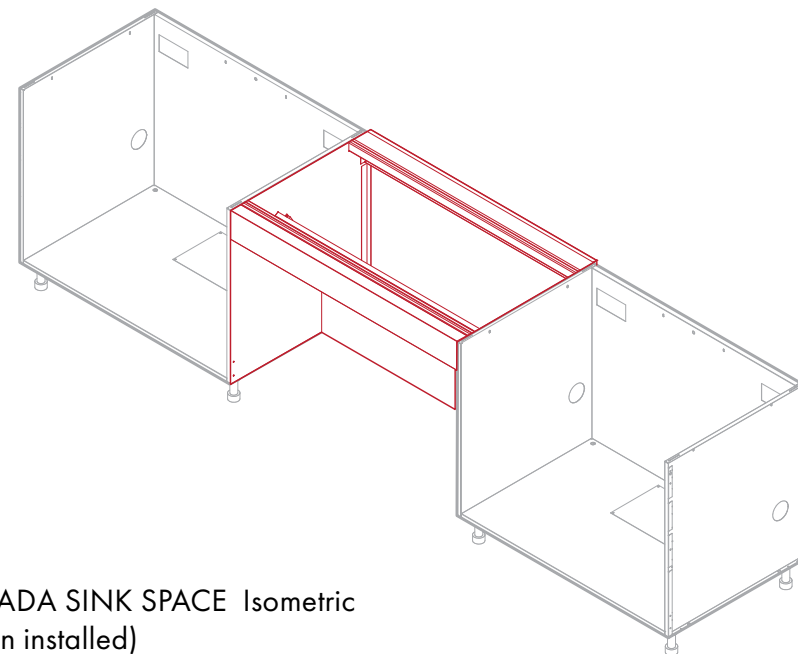
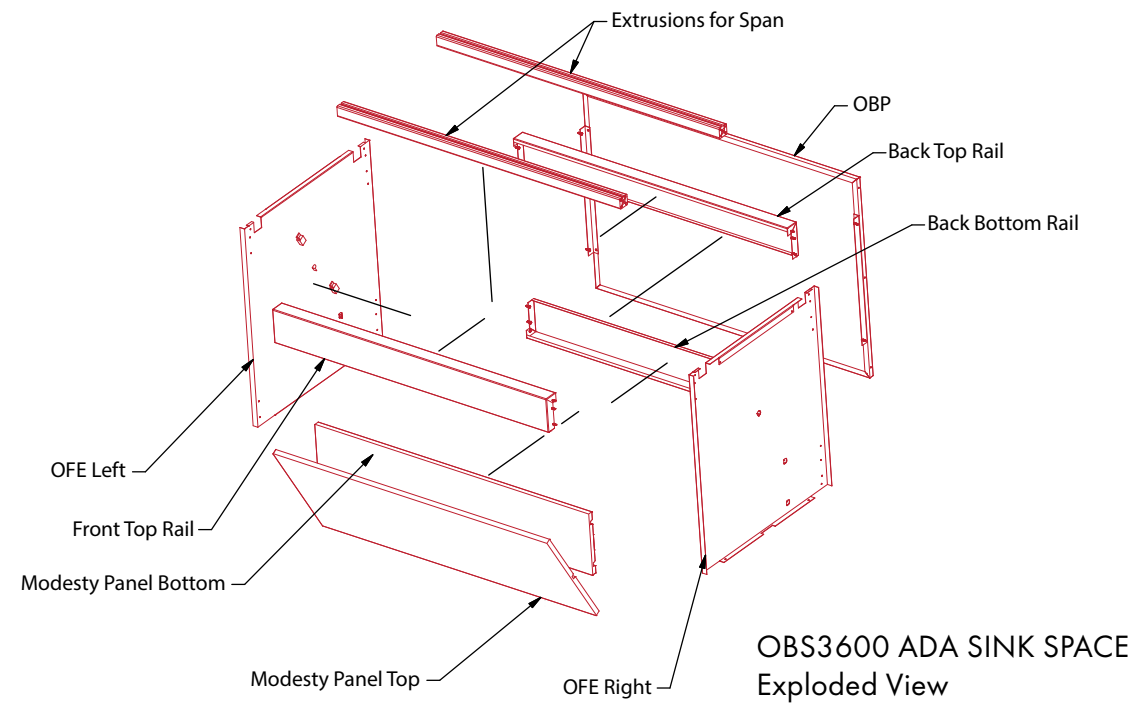
Product Description	
OBSxx00 ADA: Outdoor ADA Sink Base, no doors, removable modesty panel, 32.25" total height for ADA compliance. Glides on bottom adjustable up to 1"H.	
27" Depth SKU	24" Depth SKU
OBS3600 ADA	OBS3600-24 ADA
OBS3900 ADA	OBS3900-24 ADA
OBS4200 ADA	OBS4200-24 ADA
OBS4500 ADA	OBS4500-24 ADA
OBS4800 ADA	OBS4800-24 ADA



# Sink Base Cabinets - Sink Space: OBSxx00 ADA SINK SPACE

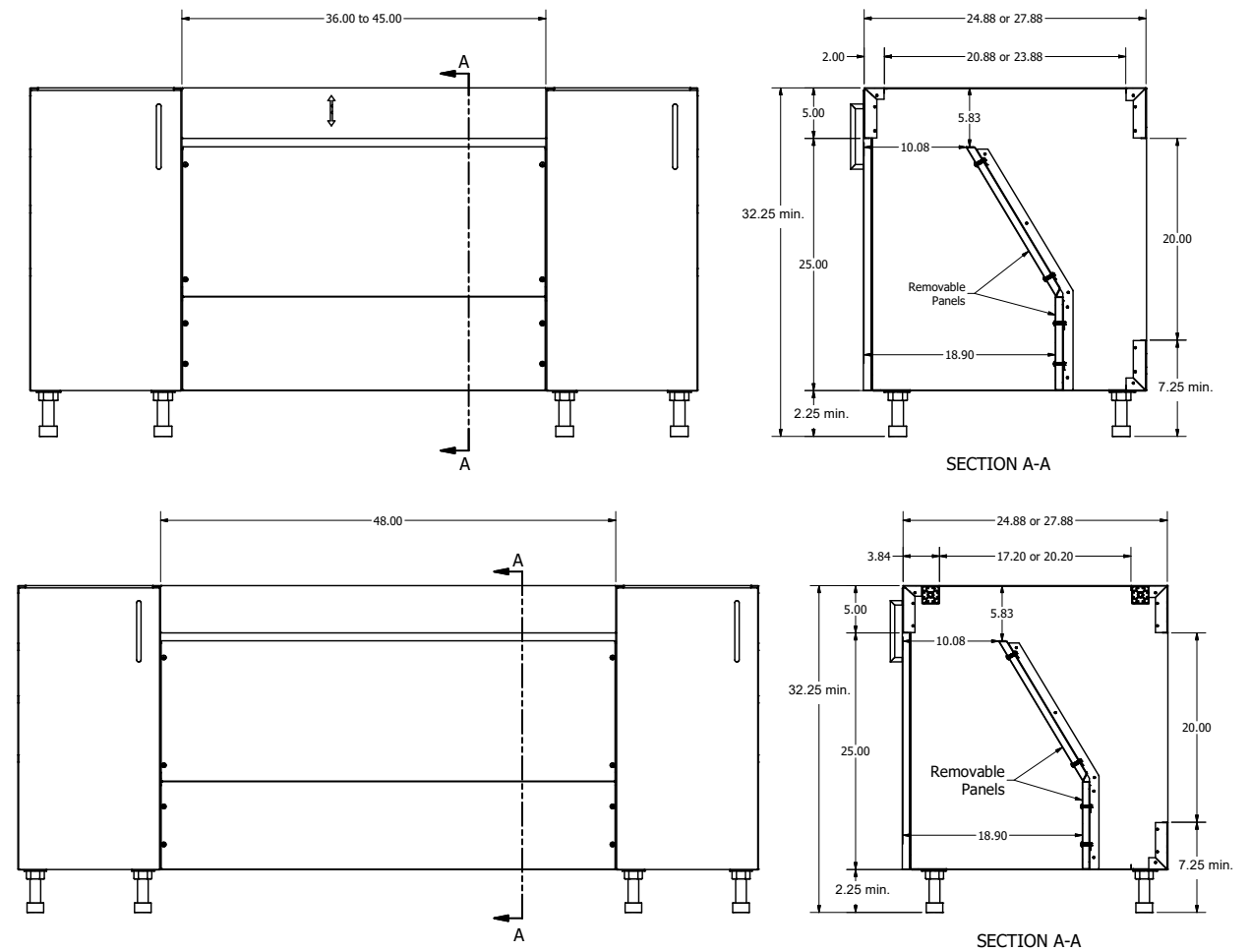
[\\*Return to Table of Contents](#)

Product Description	
OBSxx00 ADA SINK SPACE: ADA compliant Sink Base/Workstation, no doors. Consists of side panels, extrusions, and front/back rails with modesty panel. Attaches directly to adjacent cabinets, no leveling legs needed.	
27" Depth SKU	24" Depth SKU
OBS3600 ADA SINK SPACE	OBS3600-24 ADA SINK SPACE
OBS3900 ADA SINK SPACE	OBS3900-24 ADA SINK SPACE
OBS4200 ADA SINK SPACE	OBS4200-24 ADA SINK SPACE
OBS4500 ADA SINK SPACE	OBS4500-24 ADA SINK SPACE
OBS4800 ADA SINK SPACE	OBS4800-24 ADA SINK SPACE



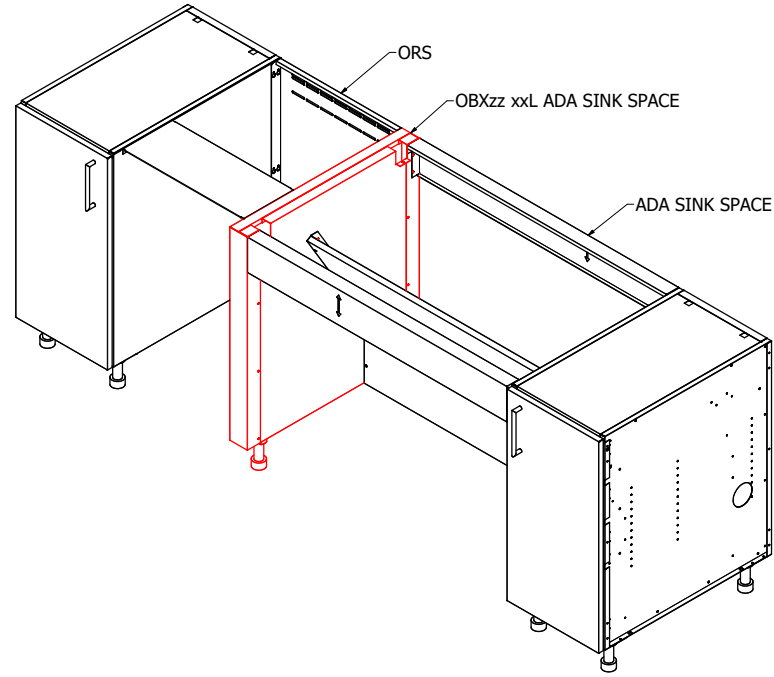
# Sink Base Cabinets - ADA Sink Space

[\\*Return to Table of Contents](#)

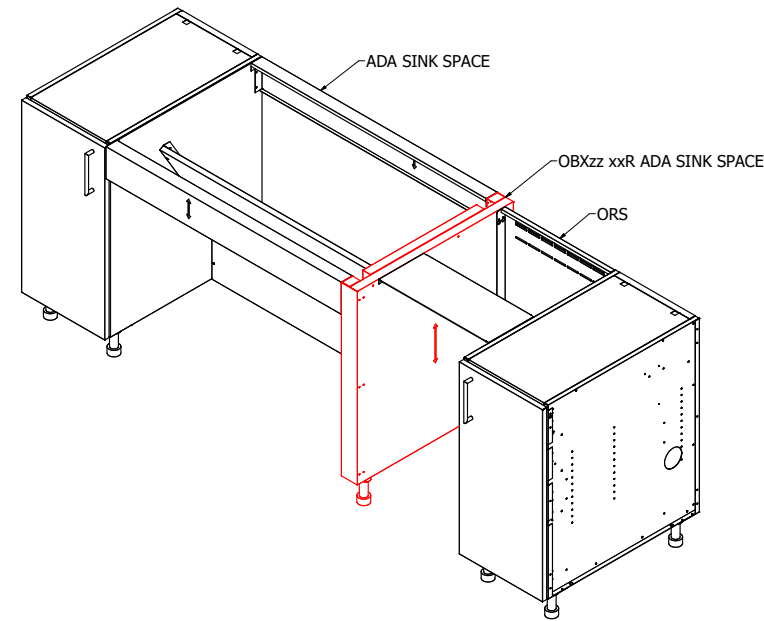


# Sink Base Cabinets - OBXzz xxL/R ADA SINK SPACE

[\\*Return to Table of Contents](#)

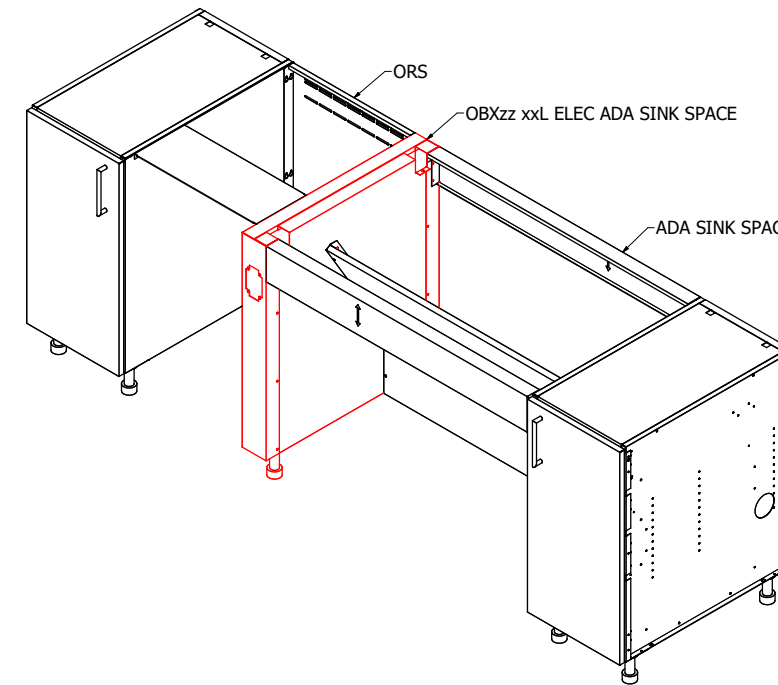


Product Description
OBXzz.zz x.xx(L or R) ADA SINK SPACE: Column for countertop support for the middle of a run with an ADA Sink Space. Comes in one standard width and four standard depths to match cabinets with or without back panels. Comes with two adjustable legs to match those on cabinetry.
OBXzz.zz x.xx ADA SINK SPACE Column - 24-7/8" - 25-5/8" Deep x 30" Tall x 3-7/8" Wide (includes 2 legs). CANNOT USE TAPERED SSLEG!
SKU
OBX24.88 3.88L ADA SINK SPACE
OBX24.88 3.88R ADA SINK SPACE
OBX25.63 3.88L ADA SINK SPACE
OBX25.63 3.88R ADA SINK SPACE
OBX27.88 3.88L ADA SINK SPACE
OBX27.88 3.88R ADA SINK SPACE
OBX28.63 3.88L ADA SINK SPACE
OBX28.63 3.88R ADA SINK SPACE

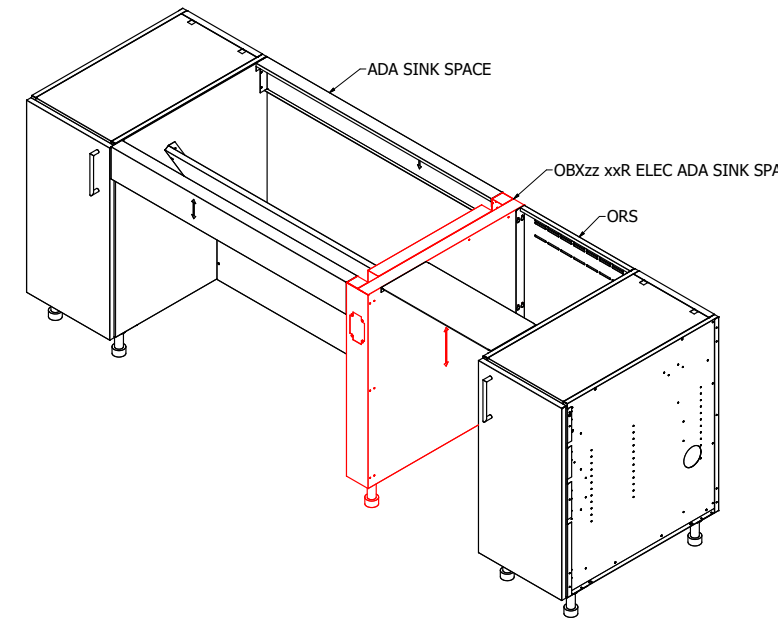


# Sink Base Cabinets - OBXzz xxL/R ELEC ADA SINK SPACE

[\\*Return to Table of Contents](#)

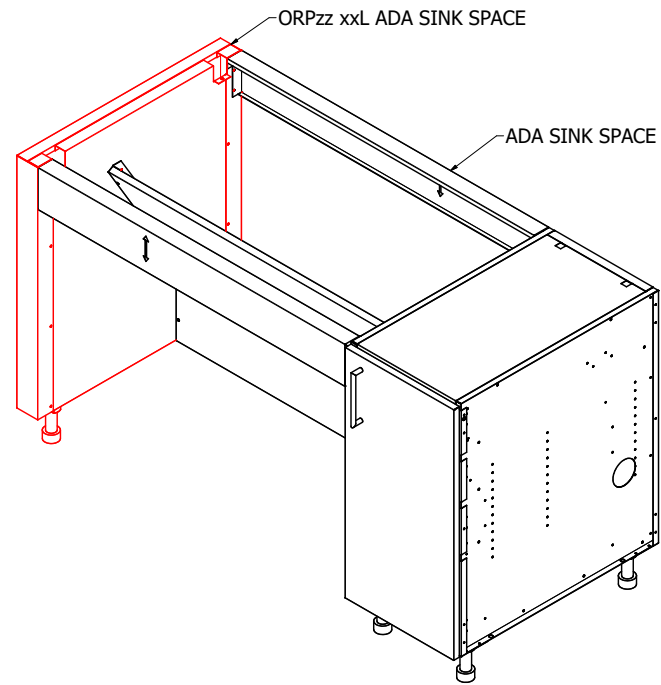


Product Description
OBXzz.zz x.xx(L or R) ELEC ADA SINK SPACE: Column for countertop support for the middle of a run with an ADA Sink Space. Includes a standard GFCI electrical cutout located 4" down from the top of the column and centered on front. Comes in one standard width and four standard depths to match cabinets with or without back panels. Comes with two adjustable legs to match those on cabinetry.
OBXzz.zz x.xx ELEC ADA SINK SPACE Column with cutout for standard GFCI outlet - 24-7/8" - 25-5/8" Deep x 30" Tall x 3-7/8" Wide (includes 2 legs). GFCI cutout is located 4" down from the top and centered on the front of column. CANNOT USE TAPERED SSLEG!
Depth SKU
OBX24.88 3.88L ELEC ADA SINK SPACE
OBX24.88 3.88R ELEC ADA SINK SPACE
OBX25.63 3.88L ELEC ADA SINK SPACE
OBX25.63 3.88R ELEC ADA SINK SPACE
OBX27.88 3.88L ELEC ADA SINK SPACE
OBX27.88 3.88R ELEC ADA SINK SPACE
OBX28.63 3.88L ELEC ADA SINK SPACE
OBX28.63 3.88R ELEC ADA SINK SPACE

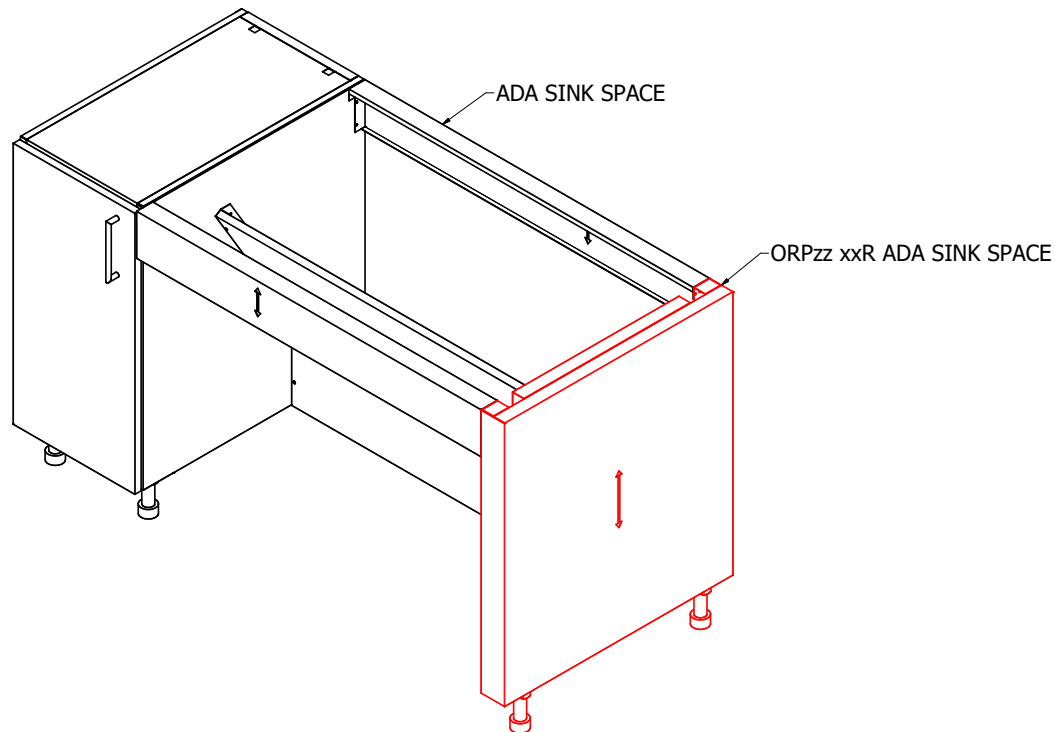


# Sink Base Cabinets - ORPzz xxL/R ADA SINK SPACE

[\\*Return to Table of Contents](#)

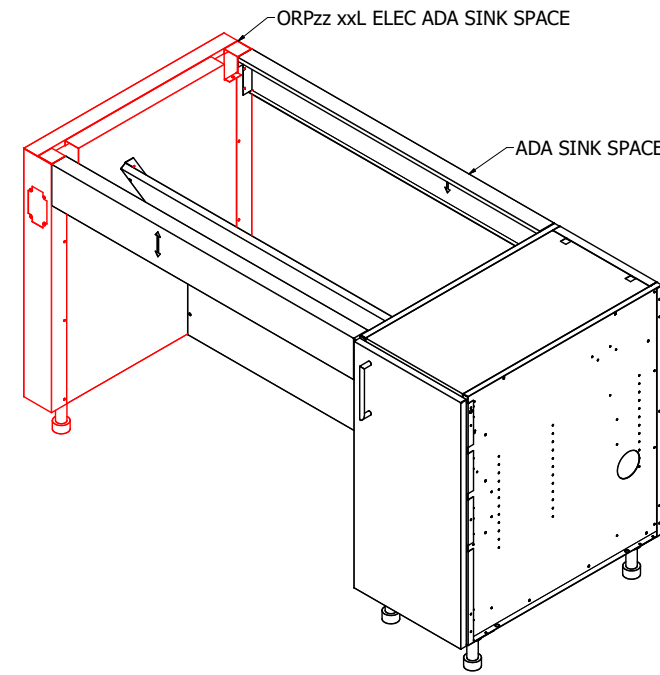


Product Description
ORPzz.zz x.xx(L or R) ADA SINK SPACE: Column for countertop support with one finished side for ending a run with an ADA Sink Space. Comes in one standard width and four standard depths to match cabinets with or without back panels. Can be upgraded to match door styles on finished side. Comes with two adjustable legs to match those on cabinetry.
ORPzz.zz x.xxADA SINK SPACE Column - 24-7/8" - 25-5/8" Deep x 30" Tall x 3-7/8" Wide (includes 2 legs). Used for FINISHING a run. CANNOT USE TAPERED SSLEG!
Depth SKU
ORP24.88 3.88L ADA SINK SPACE
ORP24.88 3.88R ADA SINK SPACE
ORP25.63 3.88L ADA SINK SPACE
ORP25.63 3.88R ADA SINK SPACE
ORP27.88 3.88L ADA SINK SPACE
ORP27.88 3.88R ADA SINK SPACE
ORP28.63 3.88L ADA SINK SPACE
ORP28.63 3.88R ADA SINK SPACE

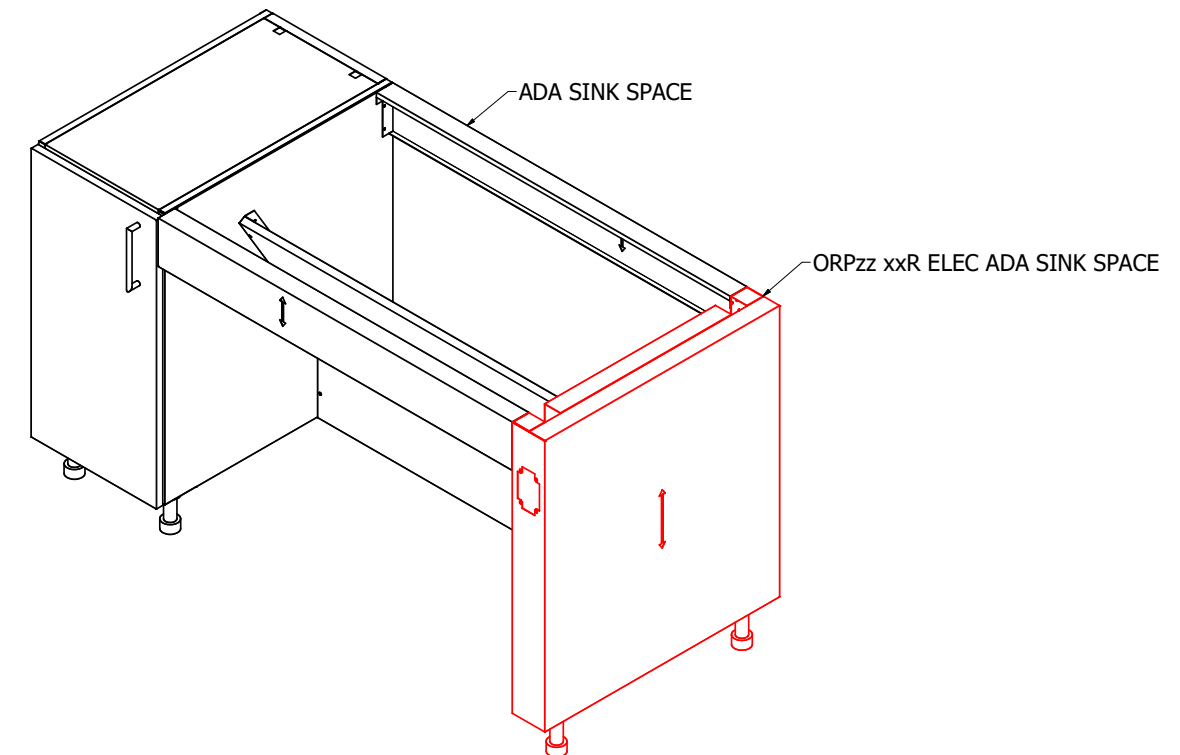


# Sink Base Cabinets - ORPzz xxL/R ELEC ADA SINK SPACE

[\\*Return to Table of Contents](#)

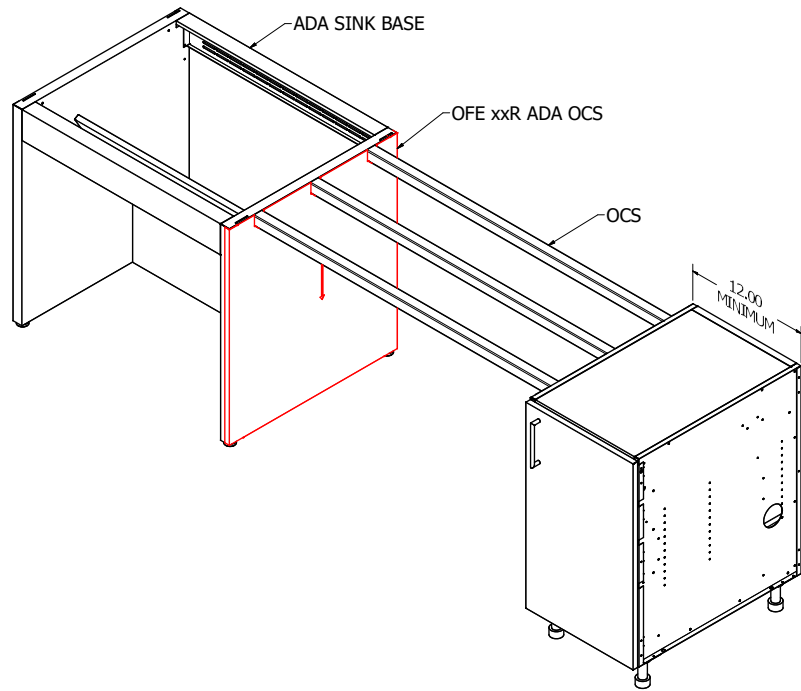


Product Description
ORPzz.zz x.xx(L or R) ELEC ADA SINK SPACE: Column for countertop support with one finished side for ending a run with an ADA Sink Space. Includes a standard GFCI electrical cutout located 4" down from the top of the column and centered on front. Comes in one standard width and four standard depths to match cabinets with or without back panels. Can be upgraded to match door styles on finished side. Comes with two adjustable legs to match those on cabinetry.
ORPzz.zz x.xx ELEC ADA SINK SPACE Column with cutout for standard GFCI outlet - 24-7/8" - 25-5/8" Deep x 30" Tall x 3-7/8" Wide (includes 2 legs). GFCI cutout is located 4" down from the top and centered on the front of column. Used for FINISHING a run. CANNOT USE TAPERED SSLEG!
Depth SKU
ORP24.88 3.88L ELEC ADA SINK SPACE
ORP24.88 3.88R ELEC ADA SINK SPACE
ORP25.63 3.88L ELEC ADA SINK SPACE
ORP25.63 3.88R ELEC ADA SINK SPACE
ORP27.88 3.88L ELEC ADA SINK SPACE
ORP27.88 3.88R ELEC ADA SINK SPACE
ORP28.63 3.88L ELEC ADA SINK SPACE
ORP28.63 3.88R ELEC ADA SINK SPACE



## Sink Base Cabinets - OFE xxL/R ADA OCS

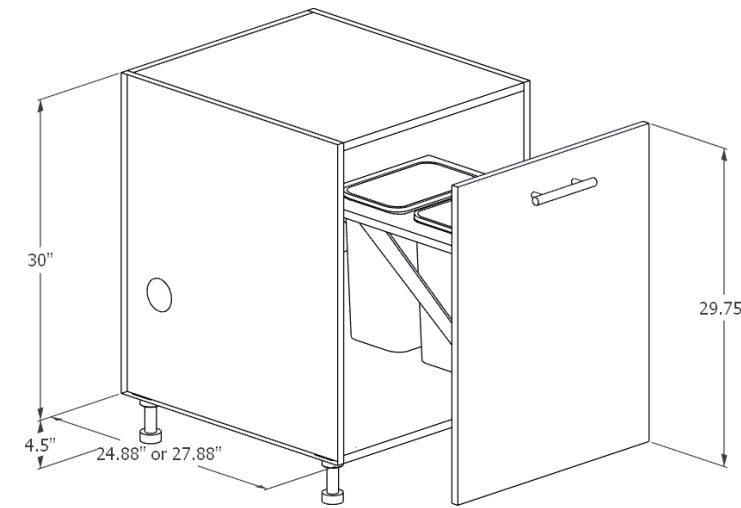
[\\*Return to Table of Contents](#)



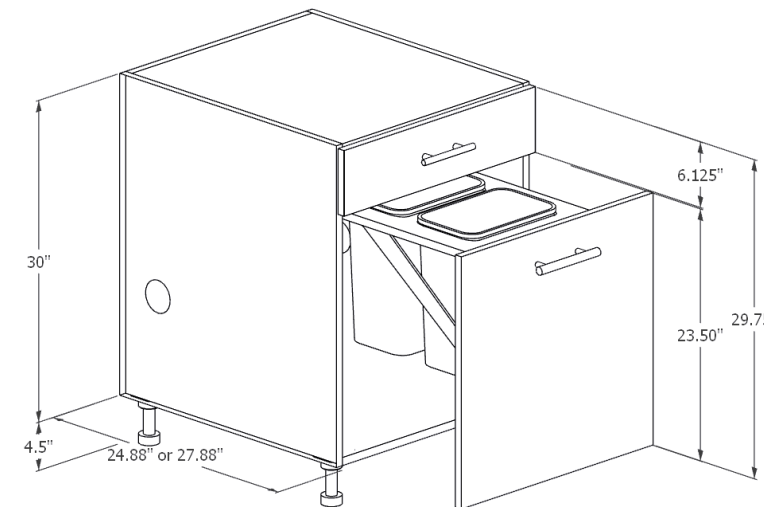
Product Description
OFE xx(L or R) ADA OCS: Flush side panel for ADA Sink Base. Notched for use with OCS countertop support span. Sits flush to cabinet side.
24.88"D x 30"H. Flush to cabinet side. <b>**notched for use with OCS countertop support span part only**</b>
27" Depth SKU
OFE 24.88L ADA OCS
OFE 24.88R ADA OCS
OFE 27.88L ADA OCS
OFE 27.88R ADA OCS

## Trash Base Cabinets - OBTxx00, OBTxx10

[\\*Return to Table of Contents](#)



Product Description	
OBTxx00: Outdoor Trash Base for 30 quart cans. 1 Full-Height Door.	
NOTE: 15" cabinets have 1 trash bin. Cabinets 18" and above have 2 trash bins.	
27" Depth SKU	24" Depth SKU
OBT1500	OBT1500-24
OBT1800	OBT1800-24
OBT2100	OBT2100-24
OBT2400	OBT2400-24
OBT2700	OBT2700-24

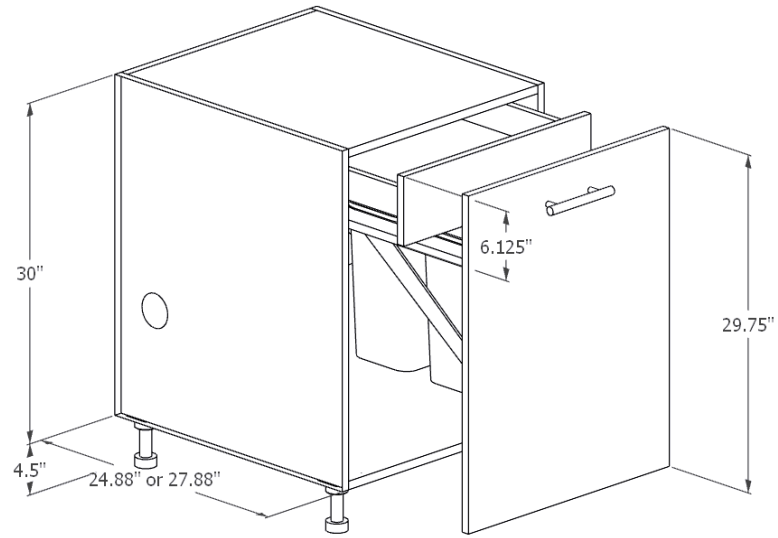


Product Description	
OBTxx10: Outdoor Trash Base for 30 quart cans. 1 Full-Height Door, 1 drawer above.	
NOTE: 15" cabinets have 1 trash bin. Cabinets 18" and above have 2 trash bins.	
27" Depth SKU	24" Depth SKU
OBT1510	OBT1510-24
OBT1810	OBT1810-24
OBT2110	OBT2110-24
OBT2410	OBT2410-24
OBT2710	OBT2710-24



## Trash Base Cabinets - OBTxx10N (nested)

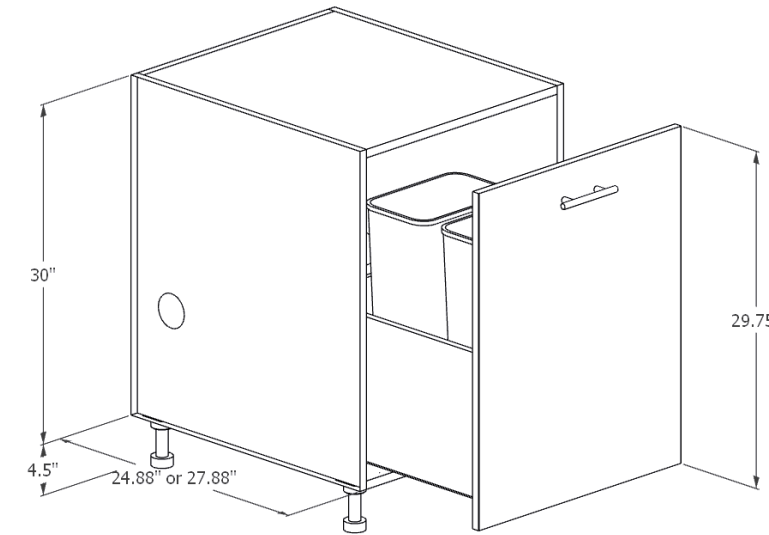
[\\*Return to Table of Contents](#)



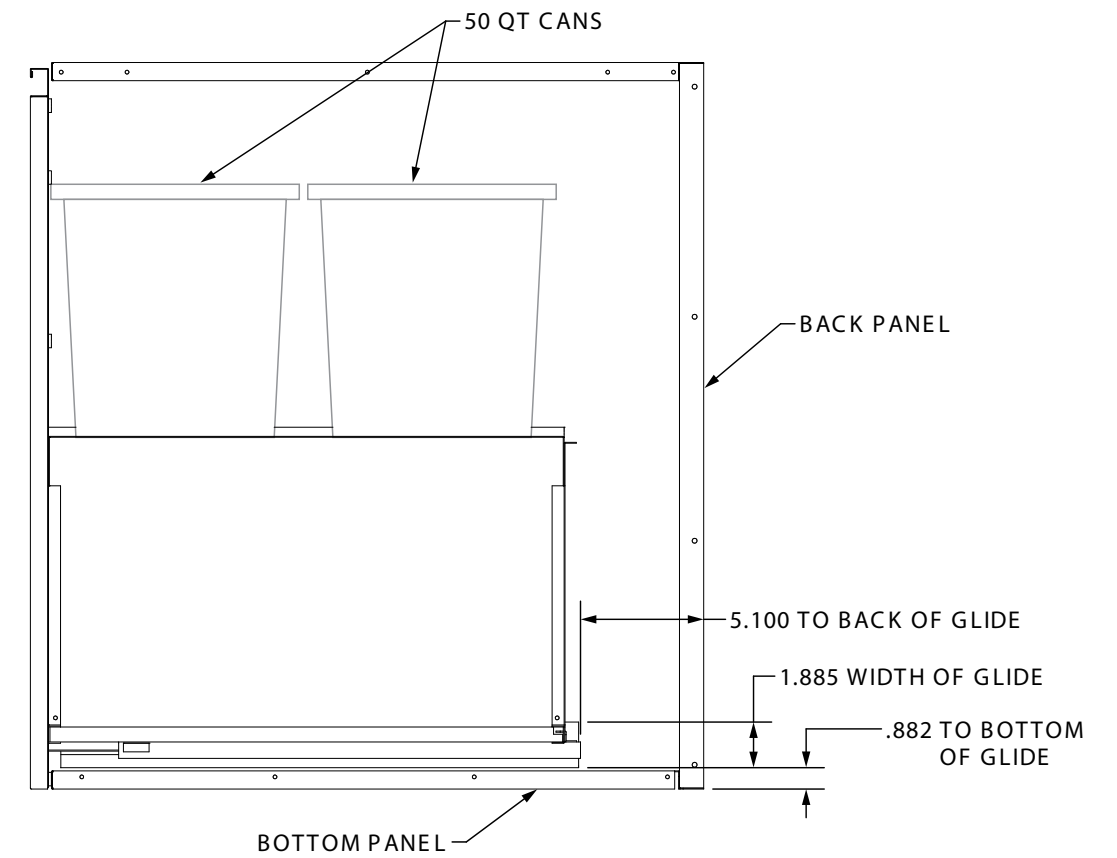
Product Description	
OBTxx10N: Outdoor Trash Base Nested Top Drawer for 30 quart cans. 1 Full-Height Door, 1 Hidden Drawer (Hampton front, no handle, pull underneath to open); Pull-out Trash attached to Door. NOTE: 15" cabinets have 1 trash bin. Cabinets 18" and above have 2 trash bins.	
27" Depth SKU	24" Depth SKU
OBT1510N	OBT1510N-24
OBT1810N	OBT1810N-24
OBT2110N	OBT2110N-24
OBT2410N	OBT2410N-24
OBT2710N	OBT2710N-24

## Trash Base Cabinets - Large 51 Quart Can: OBTxx00L

[\\*Return to Table of Contents](#)



Product Description	
OBTxx00L: Outdoor Trash Base for Large 51 quart cans. 1 Full-Height Door.	
27" Depth SKU	24" Depth SKU
OBT2100L	OBT2100L-24
OBT2400L	OBT2400L-24



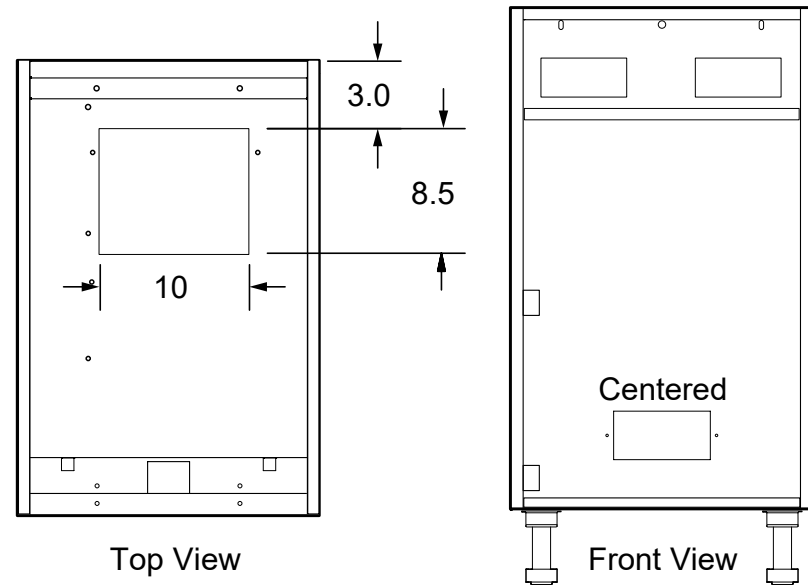
OBT2100L Cross Section Dimensions

# Side Burner Base Cabinets

[\\*Return to Table of Contents](#)

- Side Burner bases available in widths from 12" to 30".
- Side Burner Base specified MUST be 3-6" larger than the Side Burner cutout (i.e. 13"W side burner cutout requires a 15-18"W side burner base).
- OBBxxxx LOW base specified MUST be 7.5" larger than the Power Burner cutout (i.e. 22.5"W power burner cutout requires a 30"W OBB3002 LOW power burner base).
- Factory installed trim kits designed to accommodate all manufacturers.
- OBB appliance cabinetry accommodate all electrical, plumbing and gas necessities.

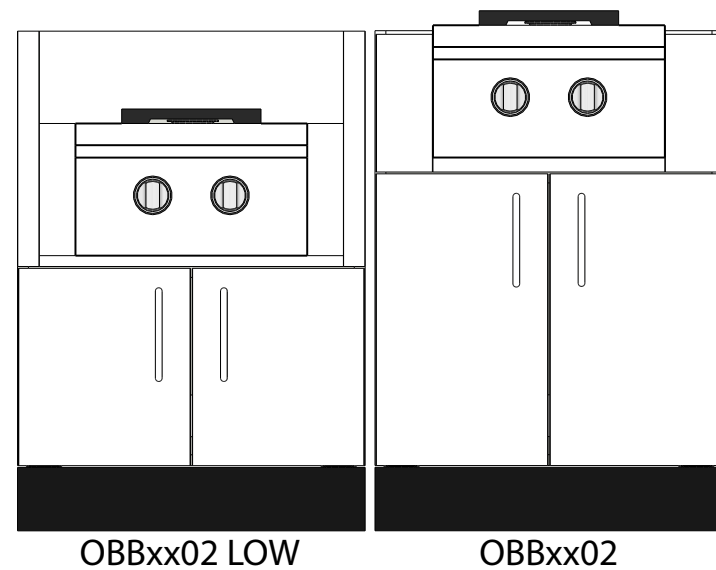
\*NOTE: Extra depth cabinets are not available in all sizes. Please contact: Sales@danver.com for specific needs.



There are two side burner (OBB) cabinet styles - one placing the burner at countertop level and the recessed cabinet (LOW) placing the burner 7" below the countertop.

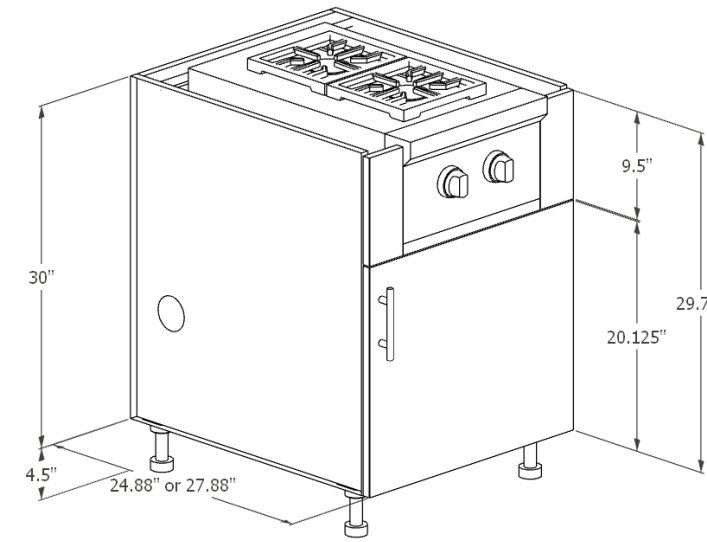
The recessed cabinet offers more convenience for stock pot cooking.

The LOW cabinets have a larger trim kit than normal. The appliance cutout MUST be 7.5" less than the cabinet width. Ex. for an OBB2702 LOW the appliance cutout must be 19.5"W or less.

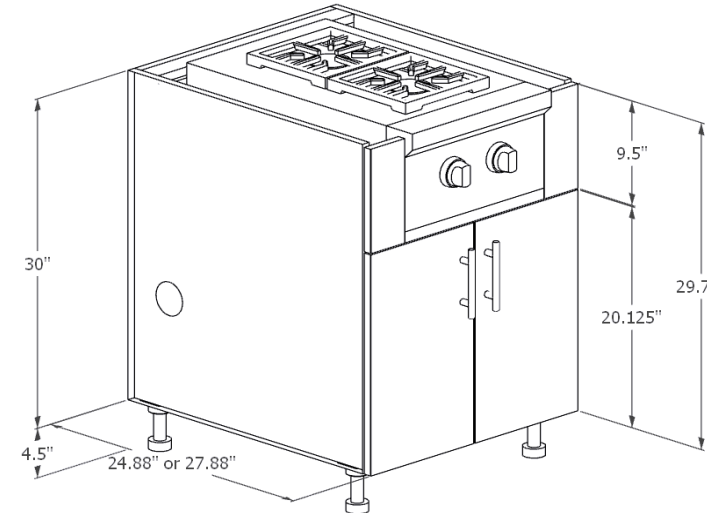


# Side Burner Base - OBBxxxx: 1 Door, 2 Door, 2 Drawer

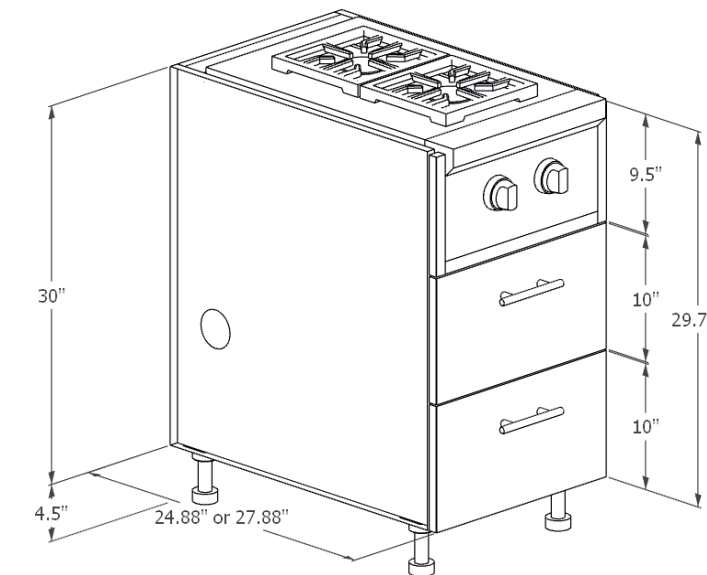
[\\*Return to Table of Contents](#)



Product Description	
OBBxx01:Outdoor Side Burner Base, 1 Door. 9.75"H burner shelf (9.5"H trim kit sides)	
27" Depth SKU	24" Depth SKU
OBB1201-LH	OBB1201-24-LH
OBB1201-RH	OBB1201-24-RH
OBB1501-LH	OBB1501-24-LH
OBB1501-RH	OBB1501-24-RH
OBB1801-LH	OBB1801-24-LH
OBB1801-RH	OBB1801-24-RH
OBB2101-LH	OBB2101-24-LH
OBB2101-RH	OBB2101-24-RH
OBB2401-LH	OBB2401-24-LH
OBB2401-RH	OBB2401-24-RH



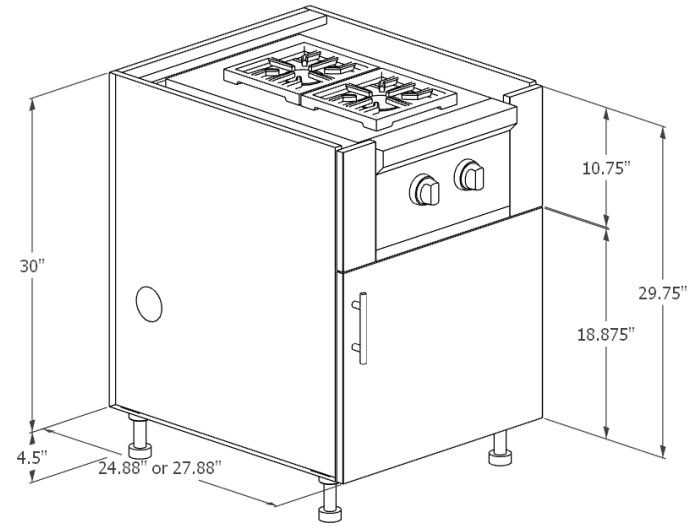
Product Description	
OBBxx02:Outdoor Side Burner Base, 2 Doors. 9.75"H burner shelf (9.5"H trim kit sides)	
27" Depth SKU	24" Depth SKU
OBB2402	OBB2402-24
OBB2702	OBB2702-24
OBB3002	OBB3002-24



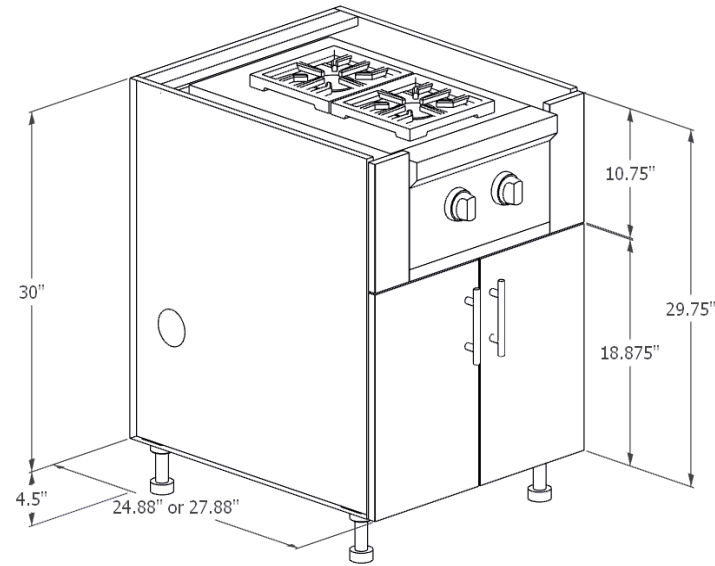
Product Description	
OBBxx20:Outdoor Side Burner Base, 2 Drawers. 9.75"H burner shelf (9.5"H trim kit sides)	
27" Depth SKU	24" Depth SKU
OBB1220	OBB1220-24
OBB1520	OBB1520-24
OBB1820	OBB1820-24
OBB2120	OBB2120-24
OBB2420	OBB2420-24
OBB2720	OBB2720-24
OBB3020	OBB3020-24

# Side Burner Base - OBBxx01H11, OBBxx02H11, OBBxx20H11

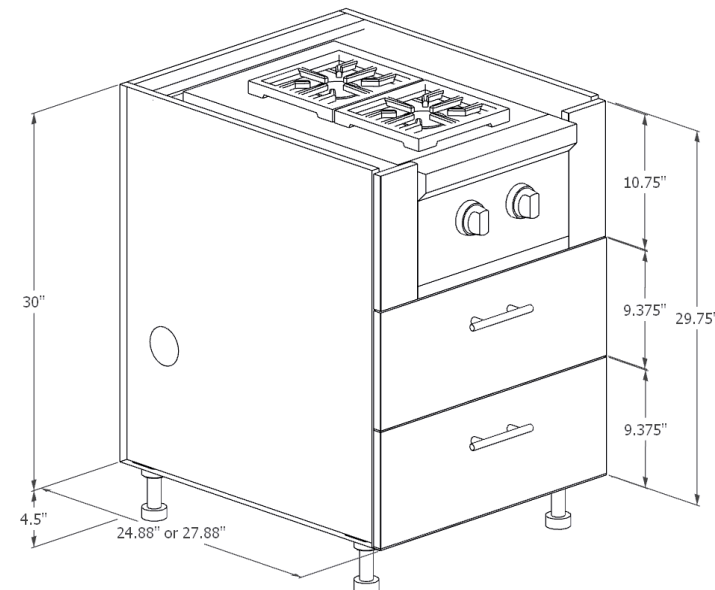
[\\*Return to Table of Contents](#)



Product Description	
OBBxx01H11: Outdoor Side Burner Base, Deep, 1 Door. 11"H burner shelf (10.75"H trim kit sides)	
27" Depth SKU	24" Depth SKU
OBB1201H11-LH	OBB1201H11-24-LH
OBB1201H11-RH	OBB1201H11-24-RH
OBB1501H11-LH	OBB1501H11-24-LH
OBB1501H11-RH	OBB1501H11-24-RH
OBB1801H11-LH	OBB1801H11-24-LH
OBB1801H11-RH	OBB1801H11-24-RH
OBB2401H11-LH	OBB2401H11-24-LH
OBB2401H11-RH	OBB2401H11-24-RH



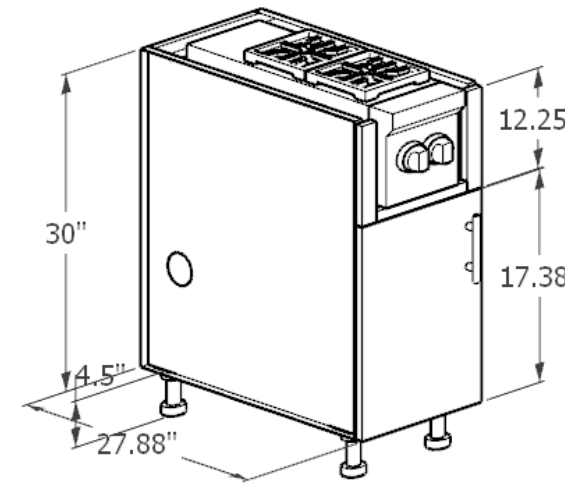
Product Description	
OBBxx02H11: Outdoor Side Burner Base, Deep, 2 Doors. 11"H burner shelf (10.75"H trim kit sides)	
27" Depth SKU	24" Depth SKU
OBB2402H11	OBB2402H11-24
OBB2702H11	OBB2702H11-24
OBB3002H11	OBB3002H11-24



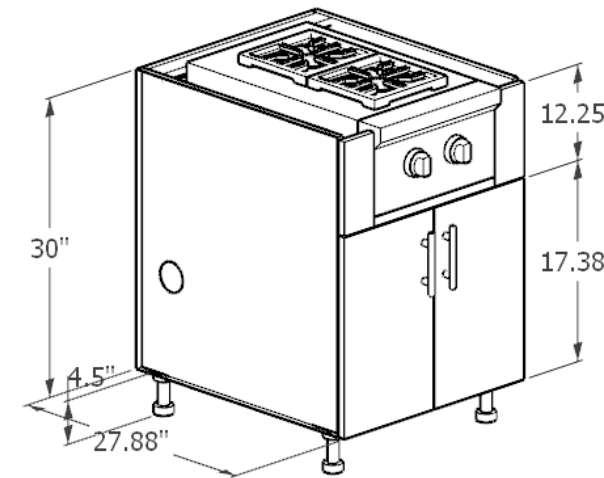
Product Description	
OBBxx20H11: Outdoor Side Burner Base, Deep, 2 Drawers. 11"H burner shelf (10.75"H trim kit sides)	
27" Depth SKU	24" Depth SKU
OBB1220H11	N/A
OBB1520H11	N/A
OBB1820H11	N/A
OBB2120H11	N/A
OBB2420H11	N/A
OBB2720H11	N/A
OBB3020H11	N/A

# Side Burner Base - OBBxx01H12.5, OBBxx02H12.5

[\\*Return to Table of Contents](#)



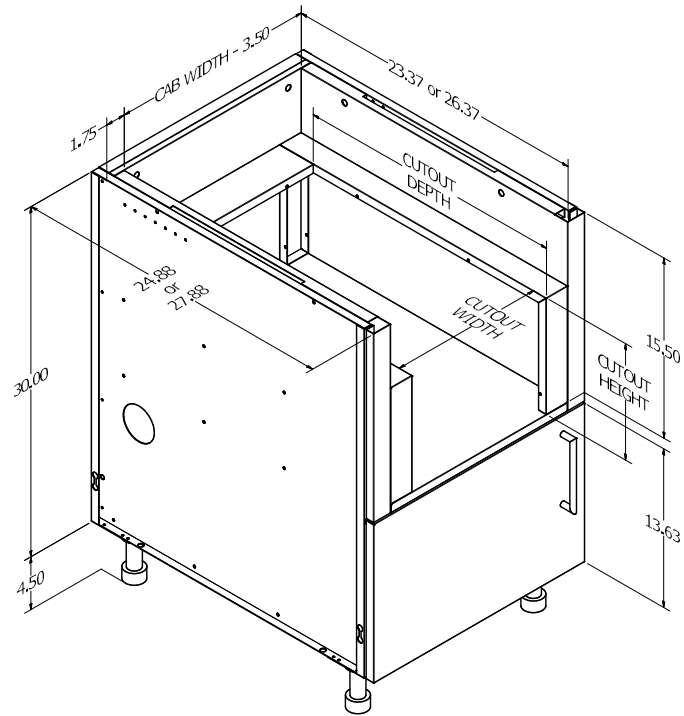
Product Description	
OBBxx01H12.5: Outdoor Side Burner Base, 1 Door. 12.5"H burner shelf (12.25"H trim kit sides)	
27" Depth SKU	24" Depth SKU
OBB1201H12.5-LH	OBB1201H12.5-LH-24
OBB1201H12.5-RH	OBB1201H12.5-RH-24
OBB1501H12.5-LH	OBB1501H12.5-LH-24
OBB1501H12.5-RH	OBB1501H12.5-RH-24
OBB1801H12.5-LH	OBB1801H12.5-LH-24
OBB1801H12.5-RH	OBB1801H12.5-RH-24
OBB2101H12.5-LH	OBB2101H12.5-LH-24
OBB2101H12.5-RH	OBB2101H12.5-RH-24
OBB2401H12.5-LH	OBB2401H12.5-LH-24
OBB2401H12.5-RH	OBB2401H12.5-RH-24



Product Description	
OBBxx02H12.5: Outdoor Side Burner Base, 2 Doors. 12.5"H burner shelf (12.25"H trim kit sides)	
27" Depth SKU	24" Depth SKU
OBB2402H12.5	OBB2402H12.5-24
OBB2702H12.5	OBB2702H12.5-24
OBB3002H12.5	OBB3002H12.5-24

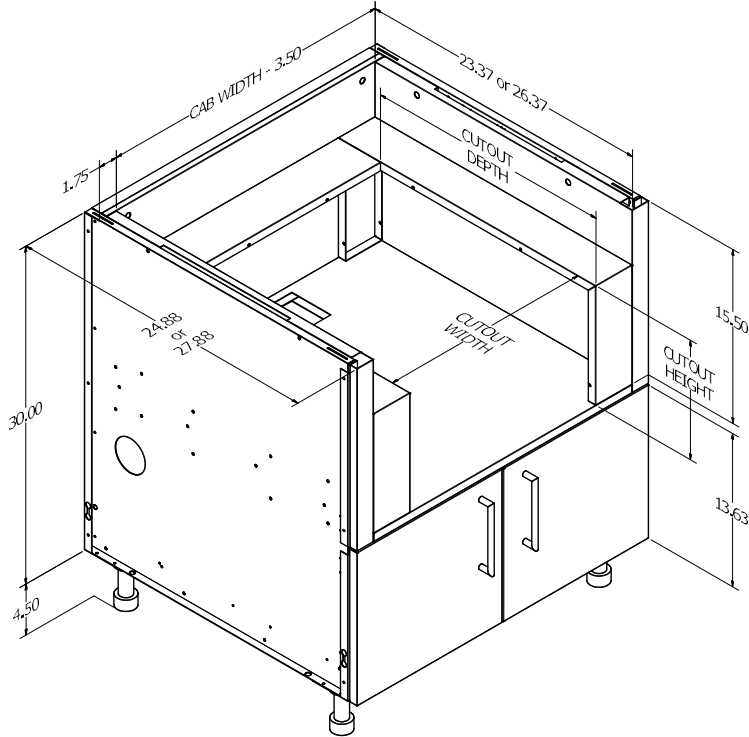
## Side Burner Base - 15.5"H Shelf: OBBxx01 LOW, OBBxx02 LOW

[\\*Return to Table of Contents](#)



Product Description	
OBBxx01 vv: Outdoor Side Burner Base, Low shelf design, 1 Door. 15.5" high burner shelf (16"H trim kit sides)	
27" Depth SKU	24" Depth SKU
OBB1801-RH LOW	OBB1801-24-RH LOW
OBB1801-LH LOW	OBB1801-24-LH LOW
OBB2101-RH LOW	OBB2101-24-RH LOW
OBB2101-LH LOW	OBB2101-24-LH LOW
OBB2401-RH LOW	OBB2401-24-RH LOW
OBB2401-LH LOW	OBB2401-24-LH LOW

Note: Inner trim dimensions of OBBxx01 LOW adjust based on the power burner selected. Power burner cutout must be at least 7.5" LESS than cabinet size selected due to trim kit requirements.

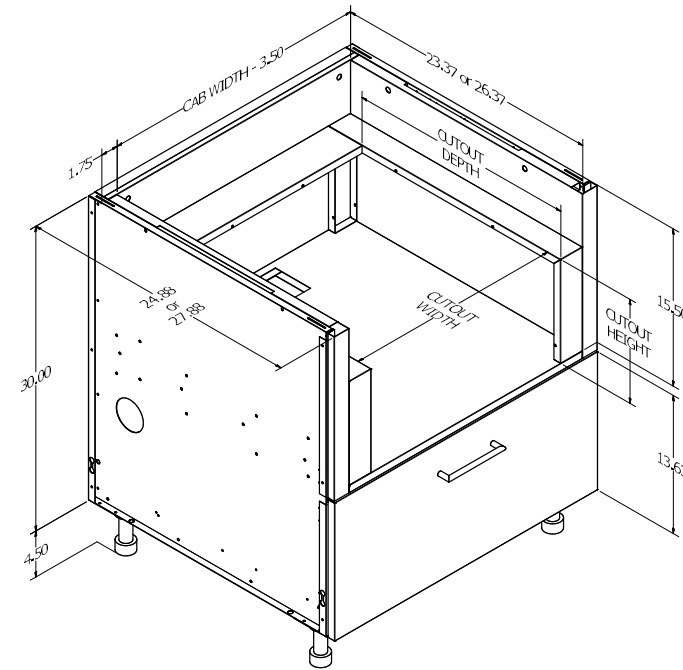


Product Description	
OBBxx02 LOW: Outdoor Side Burner Base, Low shelf design, 2 Doors. 15.5" high burner shelf (16"H trim kit sides)	
27" Depth SKU	24" Depth SKU
OBB2402 LOW	OBB2402-24 LOW
OBB2702 LOW	OBB2702-24 LOW
OBB3002 LOW	OBB3002-24 LOW
OBB3302 LOW	OBB3302-24 LOW
OBB3602 LOW	OBB3602-24 LOW

Note: Inner trim dimensions of OBBxx02 LOW adjust based on the power burner selected. Power burner cutout must be at least 7.5" LESS than cabinet size selected due to trim kit requirements.

## Side Burner Base - 15.5"H Shelf: OBBxx10 LOW

[\\*Return to Table of Contents](#)



Product Description	
OBBxx10 LOW: Outdoor Side Burner Base, Low shelf design, 1 Drawer. 15.5" high burner shelf (16"H trim kit sides)	
27" Depth SKU	24" Depth SKU
OBB1810 LOW	OBB1810-24 LOW
OBB2110 LOW	OBB2110-24 LOW
OBB2410 LOW	OBB2410-24 LOW
OBB2710 LOW	OBB2710-24 LOW
OBB3010 LOW	OBB3010-24 LOW
OBB3310 LOW	OBB3310-24 LOW
OBB3610 LOW	OBB3610-24 LOW

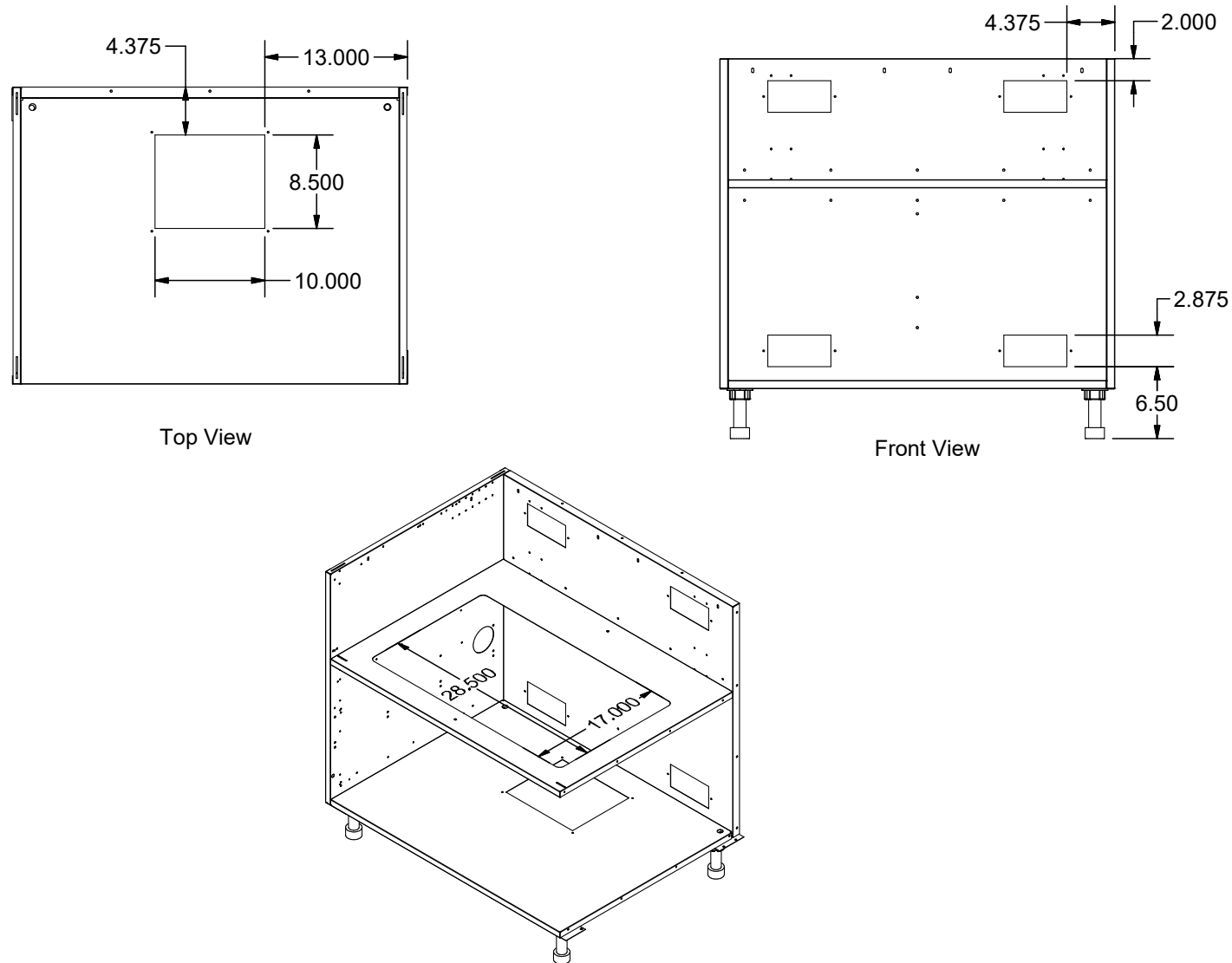
Note: Inner trim dimensions of OBBxx10 LOW adjust based on the power burner selected. Power burner cutout must be at least 7.5" LESS than cabinet size selected due to trim kit requirements.

# Bartending Center Base - OBCxxxx

[\\*Return to Table of Contents](#)

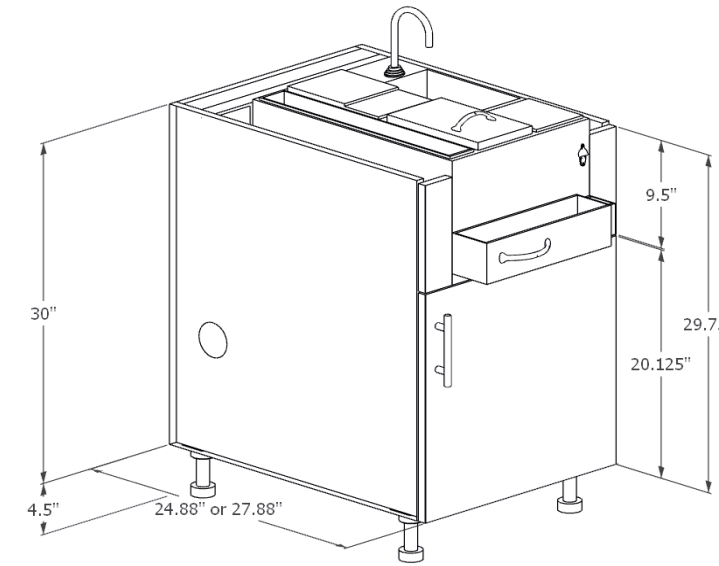
- Available in widths from 15" - 39" in 3" increments.
- Factory installed trim kits individually designed to accommodate all Bartending and Refreshment/Prep Center manufacturers.
- Bartending Center Base specified MUST be 3-6" larger than the specified cutout width (i.e. 30"W cutout, 33-36" Bartending Center Base).
- Some Bartending/Prep Stations require a deeper cutout and shelf height (11"H). This is denoted with a "D" suffix. Example: OBC3602D.

\*NOTE: Extra depth cabinets are not available in all sizes. Please contact: Sales@danver.com for specific needs.

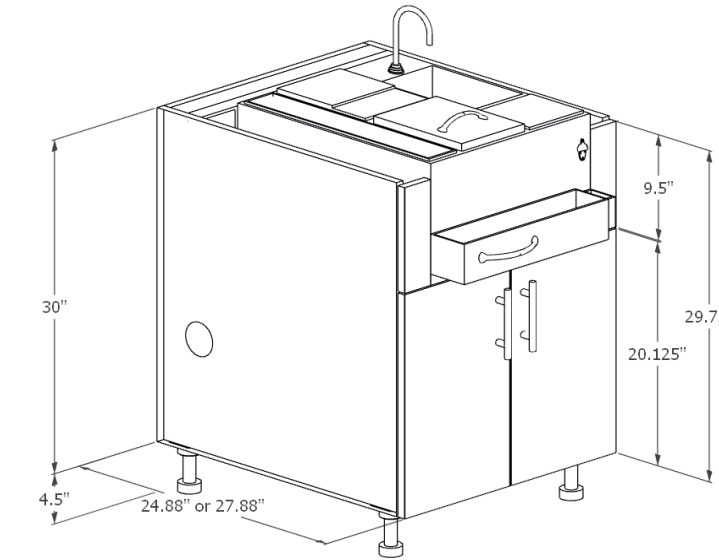


# Bartending Center Base - OBCxx01, OBCxx02

[\\*Return to Table of Contents](#)



Product Description	
OBCxx01: Outdoor Bartending Center Base, 1 Door. 9.75"H appliance shelf (9.5"H trim kit sides)	
27" Depth SKU	24" Depth SKU
OBC1501-LH	OBC1501-24-LH
OBC1501-RH	OBC1501-24-RH
OBC1801-LH	OBC1801-24-LH
OBC1801-RH	OBC1801-24-RH
OBC2101-LH	OBC2101-24-LH
OBC2101-RH	OBC2101-24-RH
OBC2401-LH	OBC2401-24-LH
OBC2401-RH	OBC2401-24-RH

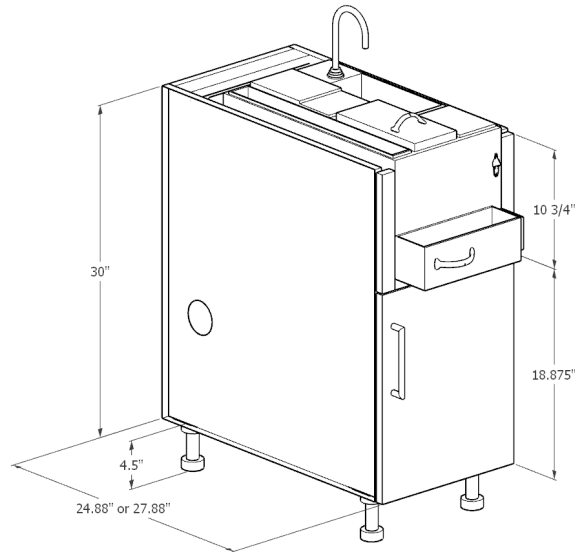


Product Description	
OBCxx02: Outdoor Bartending Center Base, Deep, 2 Doors. 9.75"H appliance shelf (9.5"H trim kit sides)	
27" Depth SKU	24" Depth SKU
OBC2402	OBC2402-24
OBC2702	OBC2702-24
OBC3002	OBC3002-24
OBC3302	OBC3302-24
OBC3602	OBC3602-24
OBC3902	OBC3902-24

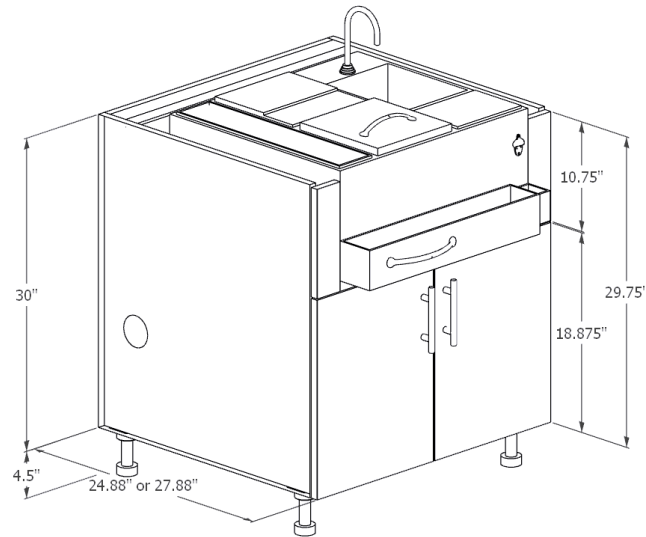


# Bartending Center Base - OBCxx01H11, OBCxx02H11

[\\*Return to Table of Contents](#)



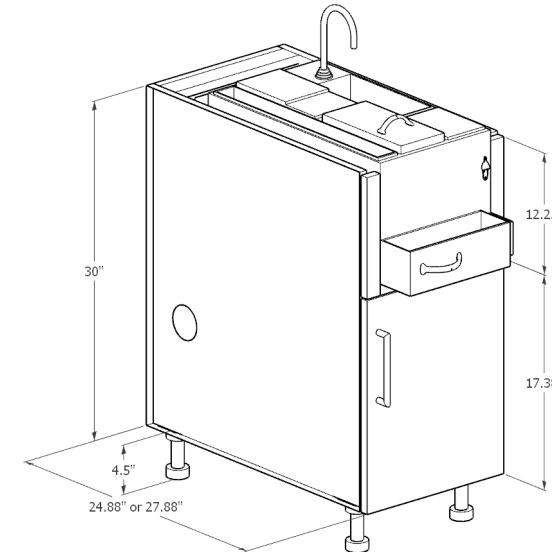
Product Description	
OBCxx01H11:Outdoor Bartending Center Base, Deep, 1 Door. 11"H appliance shelf (10.75"H trim kit sides)	
27" Depth SKU	24" Depth SKU
OBC1501H11-LH	OBC1501H11-24-LH
OBC1501H11-RH	OBC1501H11-24-RH
OBC1801H11-LH	OBC1801H11-24-LH
OBC1801H11-RH	OBC1801H11-24-RH
OBC2101H11-LH	OBC2101H11-24-LH
OBC2101H11-RH	OBC2101H11-24-RH
OBC2401H11-LH	OBC2401H11-24-LH
OBC2401H11-RH	OBC2401H11-24-RH



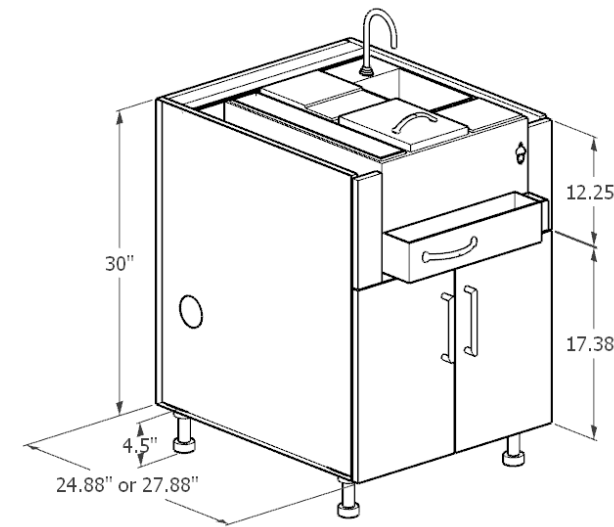
Product Description	
OBCxx02H11:Outdoor Bartending Center Base, Deep, 2 Doors. 11"H appliance shelf (10.75"H trim kit sides)	
27" Depth SKU	24" Depth SKU
OBC2402H11	OBC2402H11-24
OBC2702H11	OBC2702H11-24
OBC3002H11	OBC3002H11-24
OBC3302H11	OBC3302H11-24
OBC3602H11	OBC3602H11-24
OBC3902H11	OBC3902H11-24

# Bartending Center Base - OBCxx01H12.5, OBBxx02H12.5

[\\*Return to Table of Contents](#)



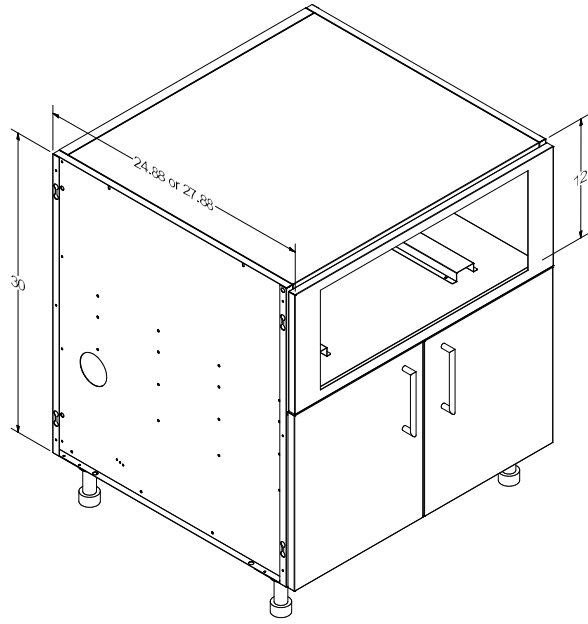
Product Description	
OBCxx01H12.5:Outdoor Bartending Center Base, Deep, 1 Door. 12.5"H appliance shelf (12.25"H trim kit sides)	
27" Depth SKU	24" Depth SKU
OBC1801H12.5-LH	N/A
OBC1801H12.5-RH	N/A
OBC2101H12.5-LH	N/A
OBC2101H12.5-RH	N/A
OBC2401H12.5-LH	N/A
OBC2401H12.5-RH	N/A



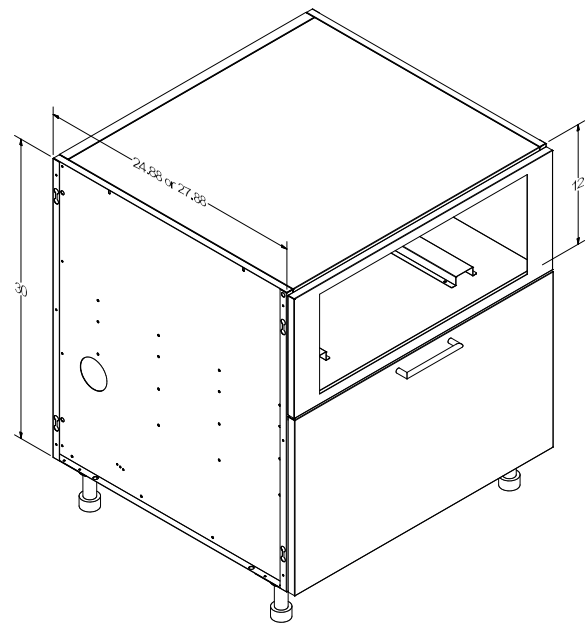
Product Description	
OBCxx02H12.5:Outdoor Bartending Center Base, Deep, 2 Doors. 12.5"H appliance shelf (12.25"H trim kit sides)	
27" Depth SKU	24" Depth SKU
OBC2402H12.5	N/A
OBC3002H12.5	N/A
OBC3602H12.5	N/A

## Warming Drawer Bases - OBWxx02 H12, OBWxx10 H12

[\\*Return to Table of Contents](#)



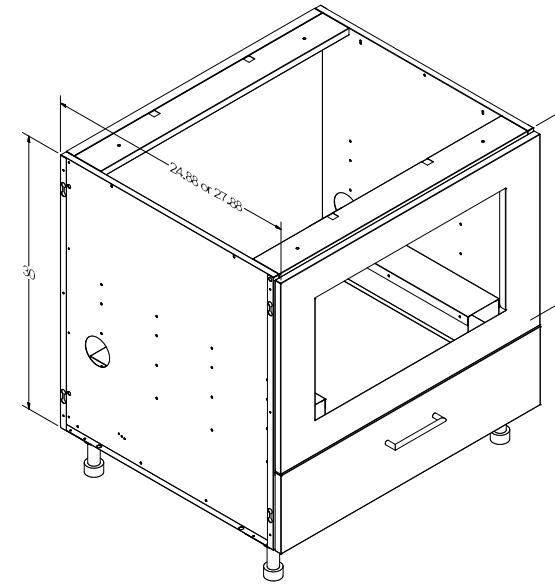
Product Description	
OBWxx02: Outdoor Warming Drawer/Microwave Base, 2 Doors. Shelf 12" from top.	
*Includes spacers on bottom of cabinet to support appliance. Includes anti-tip bracket. Max cutout height is 10.25". Verify overall appliance dimensions to ensure proper fit.	
27" Depth SKU	24" Depth SKU
OBW3002 H12	OBW3002-24 H12
OBW3302 H12	OBW3302-24 H12
OBW3602 H12	OBW3602-24 H12



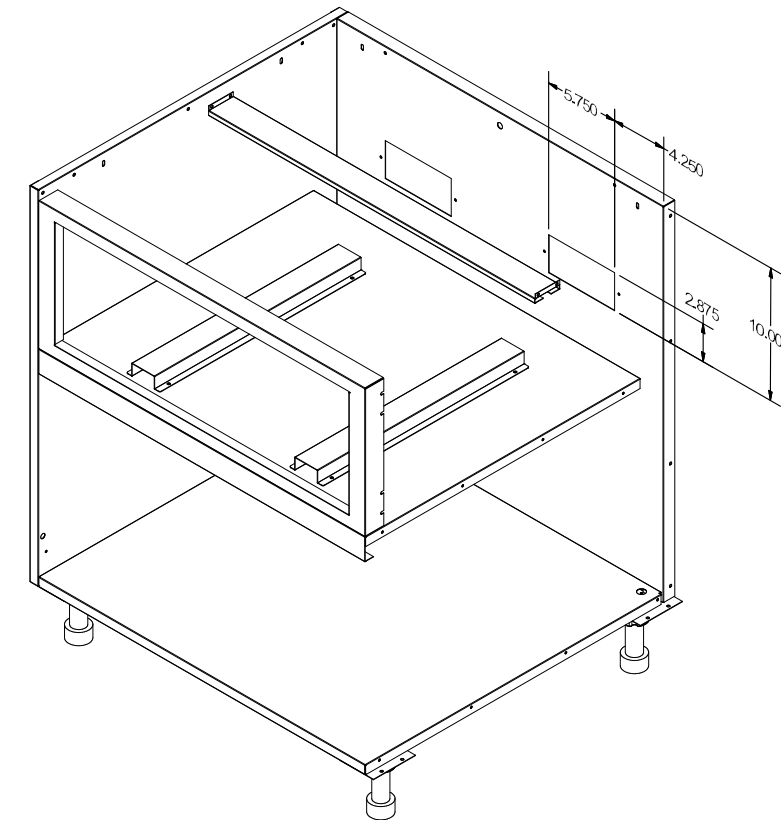
Product Description	
OBWxx10: Outdoor Warming Drawer/Microwave Base, 1 Drawer. Shelf 12" from top.	
*Includes spacers on bottom of cabinet to support appliance. Includes anti-tip bracket. Max cutout height is 10.25". Verify overall appliance dimensions to ensure proper fit.	
27" Depth SKU	24" Depth SKU
OBW3010 H12	OBW3010-24 H12
OBW3310 H12	OBW3310-24 H12
OBW3610 H12	OBW3610-24 H12

## Warming Drawer Bases - OBWxx10 H21: 1 Drawer

[\\*Return to Table of Contents](#)

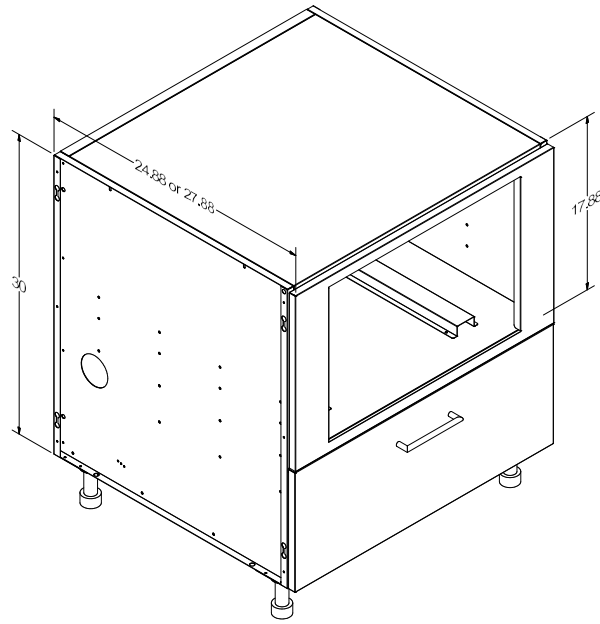


Product Description	
OBW3010 H21: Outdoor Warming Drawer/Microwave Base, 1 Drawer. Shelf 21" from top.	
*Includes spacers on bottom of cabinet to support appliance. Includes anti-tip bracket. Max cutout height is 19.25". Verify overall appliance dimensions to ensure proper fit.	
27" Depth SKU	24" Depth SKU
N/A	OBW2110-24 H21
N/A	OBW2410-24 H21
N/A	OBW2710-24 H21
OBW3010 H21	OBW3010-24 H21
OBW3310 H21	N/A

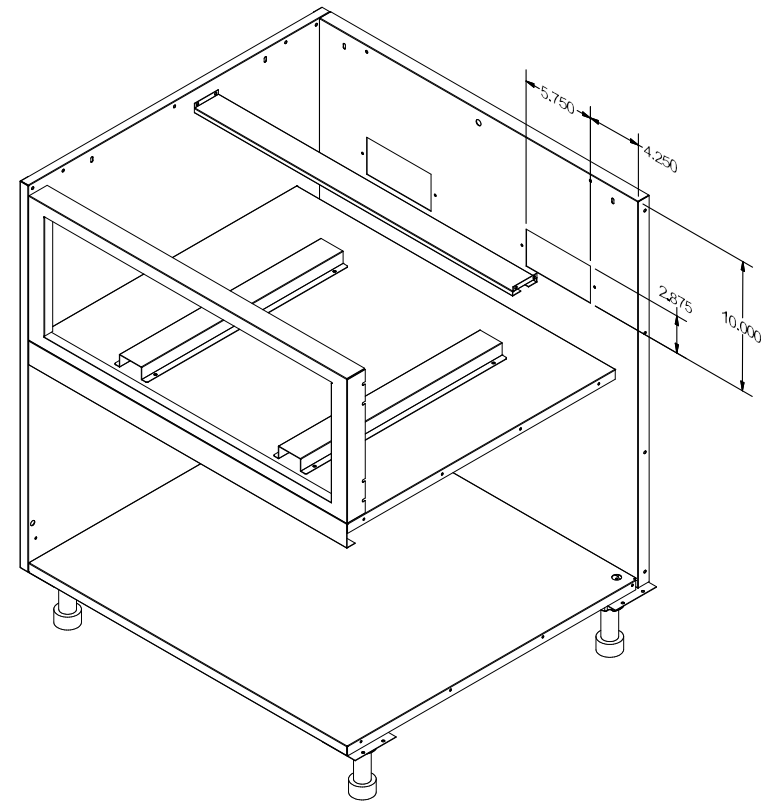


# Warming Drawer Bases - OBWxx10 H17.38

[\\*Return to Table of Contents](#)

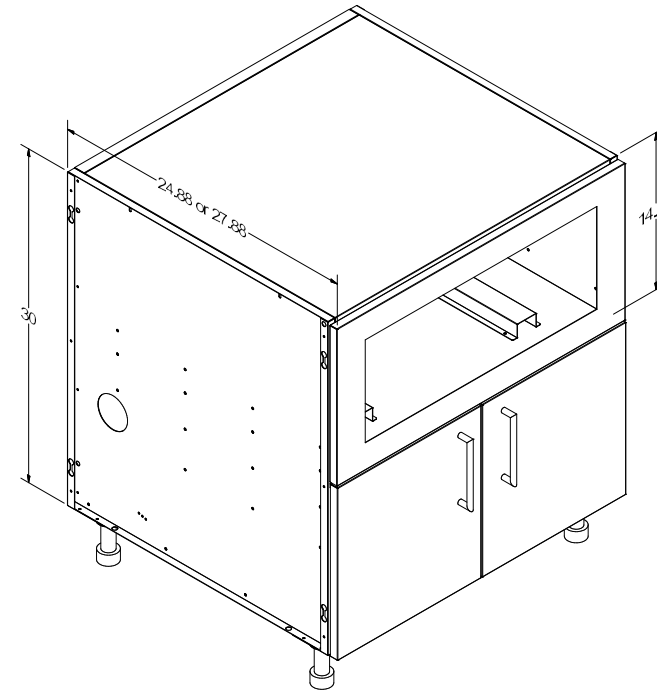


Product Description	
OBWxx10: Outdoor Warming Drawer/Microwave Base, extra deep 17.63" cutout for DCS or similar. 1 Drawer. Shelf 17.38"H from top.	
*Includes spacers on bottom of cabinet to support appliance. Includes anti-tip bracket. Max cutout height is 15.53". Verify overall appliance dimensions to ensure proper fit.	
27" Depth SKU	24" Depth SKU
OBW3010 H17.38	N/A
OBW3310 H17.38	N/A
OBW3610 H17.38	N/A

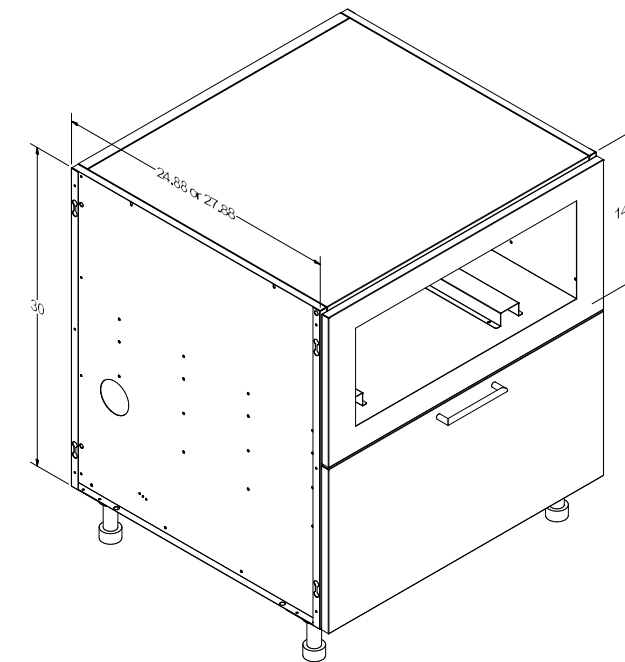


# Warming Drawer Bases - OBWxx02 H14.13, OBWxx10 H14.13

[\\*Return to Table of Contents](#)



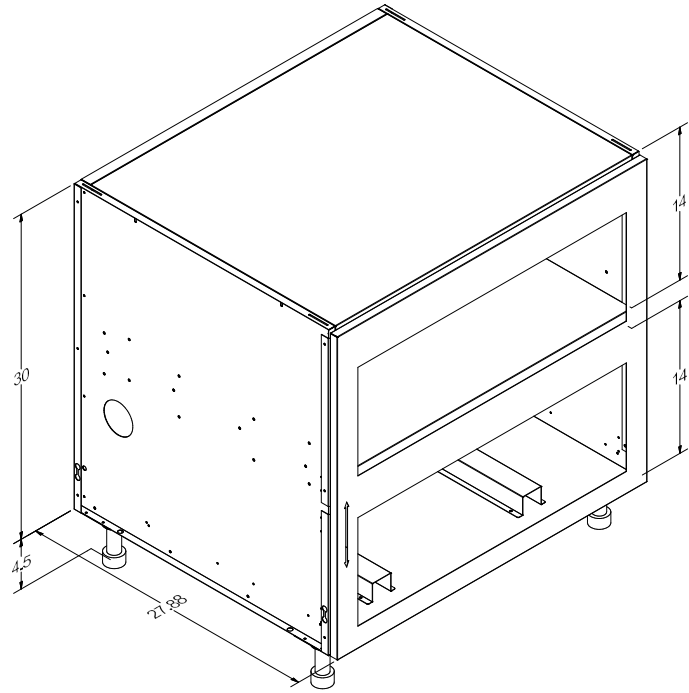
Product Description	
OBWxx02 H14.13: Outdoor Warming Drawer/Microwave Base, Deep, 2 Doors. Shelf 14.13" from top.	
*Includes spacers on bottom of cabinet to support appliance. Includes anti-tip bracket. Max cutout height is 12.375". Verify overall appliance dimensions to ensure proper fit.	
27" Depth SKU	24" Depth SKU
OBW3002 H14.13	OBW3002-24 H14.13
OBW3302 H14.13	OBW3302-24 H14.13
OBW3602 H14.13	OBW3602-24 H14.13



Product Description	
OBWxx10 H14.13: Outdoor Warming Drawer/Microwave Base, Deep, 1 Drawer. Shelf 14.13" from top.	
*Includes spacers on bottom of cabinet to support appliance. Includes anti-tip bracket. Max cutout height is 12.375". Verify overall appliance dimensions to ensure proper fit.	
27" Depth SKU	24" Depth SKU
OBW3010 H14.13	OBW3010-24 H14.13
OBW3310 H14.13	OBW3310-24 H14.13
OBW3610 H14.13	OBW3610-24 H14.13

# Double Warming Drawer Bases - ODWxx00 H14

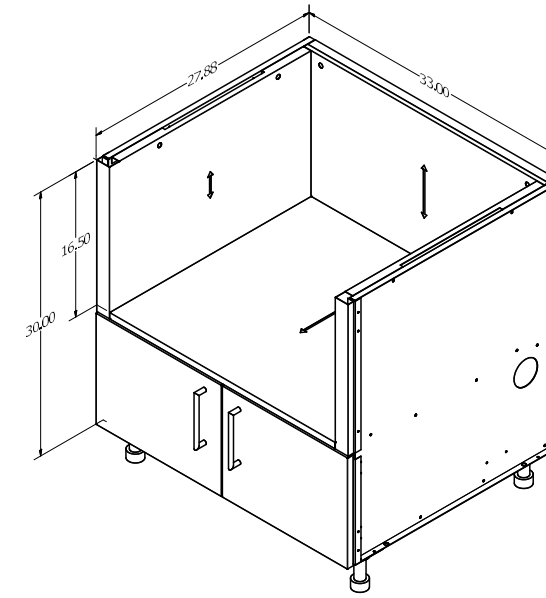
[\\*Return to Table of Contents](#)



Product Description	
ODWxx00 H14: Outdoor Double Warming Drawer/Microwave Base, Deep, 2 Doors. Shelf 14" from top.	
*Includes spacers on bottom of cabinet to support appliance. Includes anti-tip bracket.	
Upper max cutout height is 12.38" Lower max cutout height is 12.25"	
Verify overall appliance dimensions to ensure proper fit.	
27" Depth SKU	24" Depth SKU
ODW3000 H14	ODW3000-24 H14
ODW3300 H14	ODW3300-24 H14
ODW3600 H14	ODW3600-24 H14

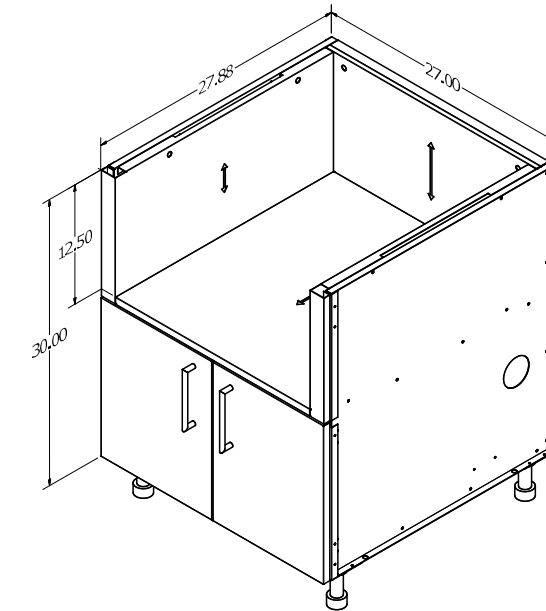
# Egg Base Cabinets - OEBxx02 H16.5, OEBxx02 H12.5

[\\*Return to Table of Contents](#)



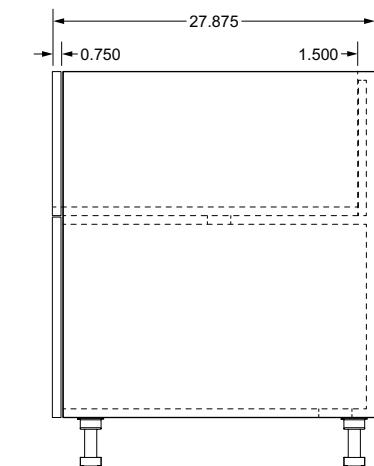
Product Description	
OEBxx02 H16.5: Outdoor Egg Smoker Base, 2 Doors. Side trim pieces: 1.75". *Shelf is 16.5" from top of cabinet*	
27" Depth SKU	24" Depth SKU
OEB2702 H16.5	OEB2702-24 H16.5
OEB3302 H16.5	OEB3302-24 H16.5

Note: Shelf and inside cavity are #4 brushed stainless steel and CANNOT be powder coated. OEB Cabinets have additional support for the weight of the smoker grill eggs (over 200lbs.).



Product Description	
OEBxx02 H12.5: Outdoor Egg Smoker Base, 2 Doors. Side trim pieces: 1.75". *Shelf is 12.5" from top of cabinet*	
27" Depth SKU	24" Depth SKU
OEB2702 H12.5	OEB2702-24 H12.5
OEB3302 H12.5	OEB3302-24 H12.5

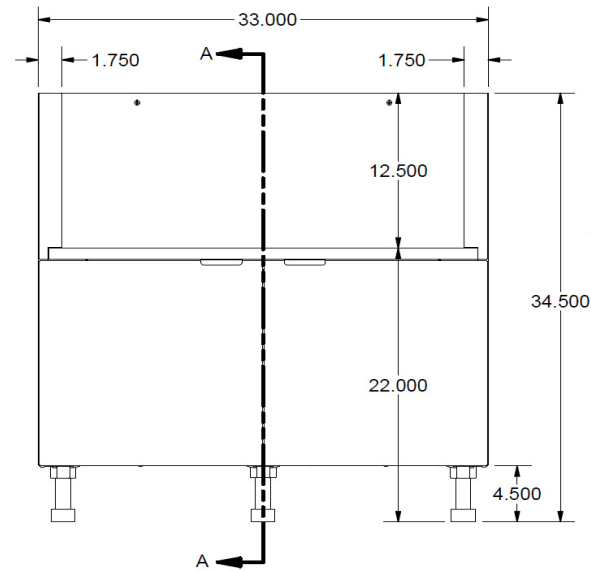
Note: Shelf and inside cavity are #4 brushed stainless steel and CANNOT be powder coated. OEB Cabinets have additional support for the weight of the smoker grill eggs (over 200lbs.).



EXAMPLE:  
OEB2702 and OEB3302 side elevation measurements.

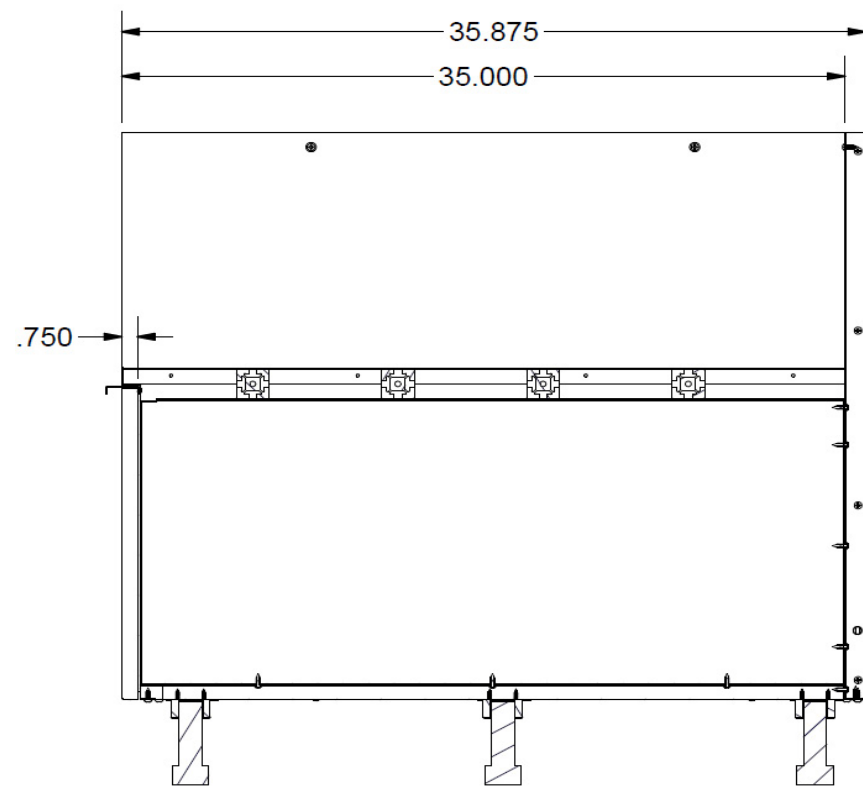
# Egg Base Cabinets - OEBxx02-35 H16.5 or 12.5 (Extra Large)

[\\*Return to Table of Contents](#)



Product Description	
OEB3302-35 H16.5 or H12.5: Outdoor Egg Smoker Base, 2 Doors. *35"D TO FIT BIG GREEN EGG XL, 2XL WILL NOT FIT!* Shelf is 12.5" or 16.5" from top of cabinet* This base comes with OFE APPLIANCE finished sides due to the cabinet most likely sitting forward from the rest of the run.	
27" Depth SKU	24" Depth SKU
OEB3302-35 H16.5	N/A
OEB3302-35 H12.5	N/A

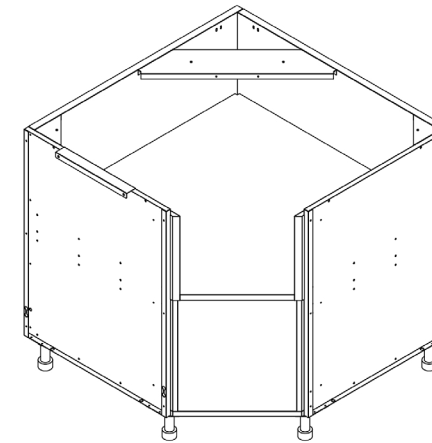
Note: Shelf and inside cavity are #4 brushed stainless steel and CANNOT be powder coated. OEB Cabinets have additional support for the weight of the smoker grill eggs (over 200lbs.).



SECTION A-A

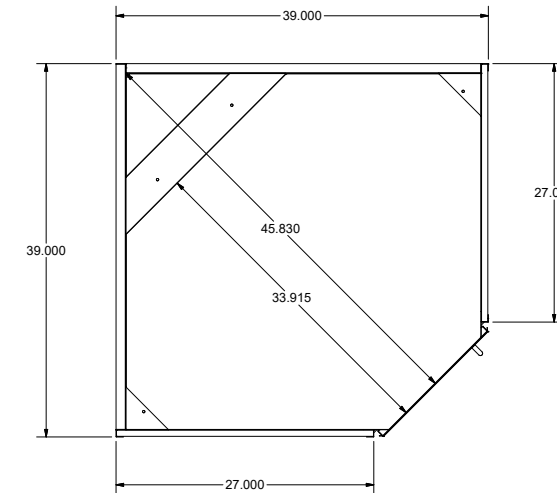
# Egg Base Cabinets - Diagonal Corner: DCBExx H16.5 or H12.5

[\\*Return to Table of Contents](#)



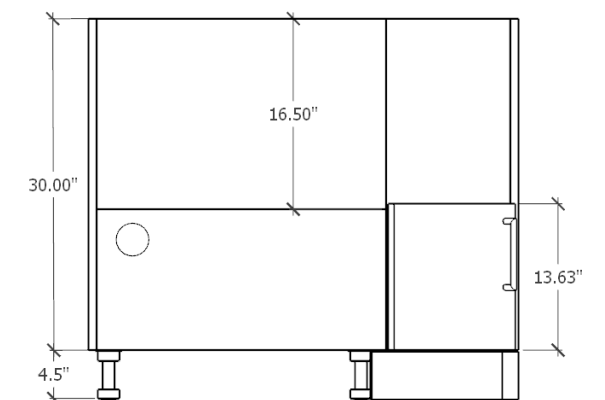
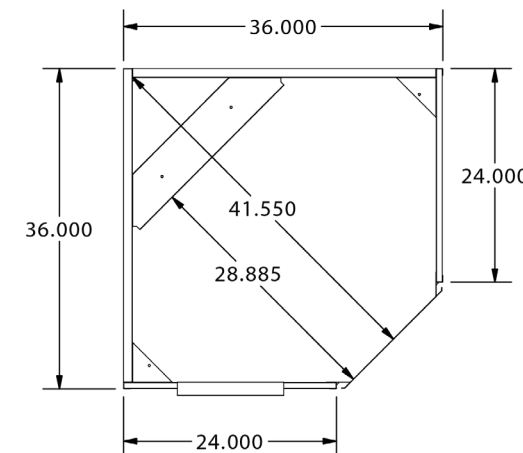
Product Description	
DCBExx H16.5: Diagonal Corner Egg Smoker Base, 1 Door. *Shelf is 16.5" from top of cabinet* Note: 1" wide or greater front fillers are recommended on either side of cabinet for clearance.	
27" Depth SKU	24" Depth SKU
DCBE39 H16.5-LH	DCBE36 H16.5-LH
DCBE39 H16.5-RH	DCBE36 H16.5-RH

Note: Shelf and inside cavity are #4 brushed stainless steel and CANNOT be powder coated. OEB Cabinets have additional support for the weight of the smoker grill eggs (over 200lbs.).



Product Description	
DCBExx H12.5: Diagonal Corner Egg Smoker Base, 1 Door. *Shelf is 12.5" from top of cabinet*. Note: 1" wide or greater front fillers are recommended on either side of cabinet for clearance.	
27" Depth SKU	24" Depth SKU
DCBE39 H12.5-LH	DCBE36 H12.5-LH
DCBE39 H12.5-RH	DCBE36 H12.5-RH

Note: Shelf and inside cavity are #4 brushed stainless steel and CANNOT be powder coated. OEB Cabinets have additional support for the weight of the smoker grill eggs (over 200lbs.).





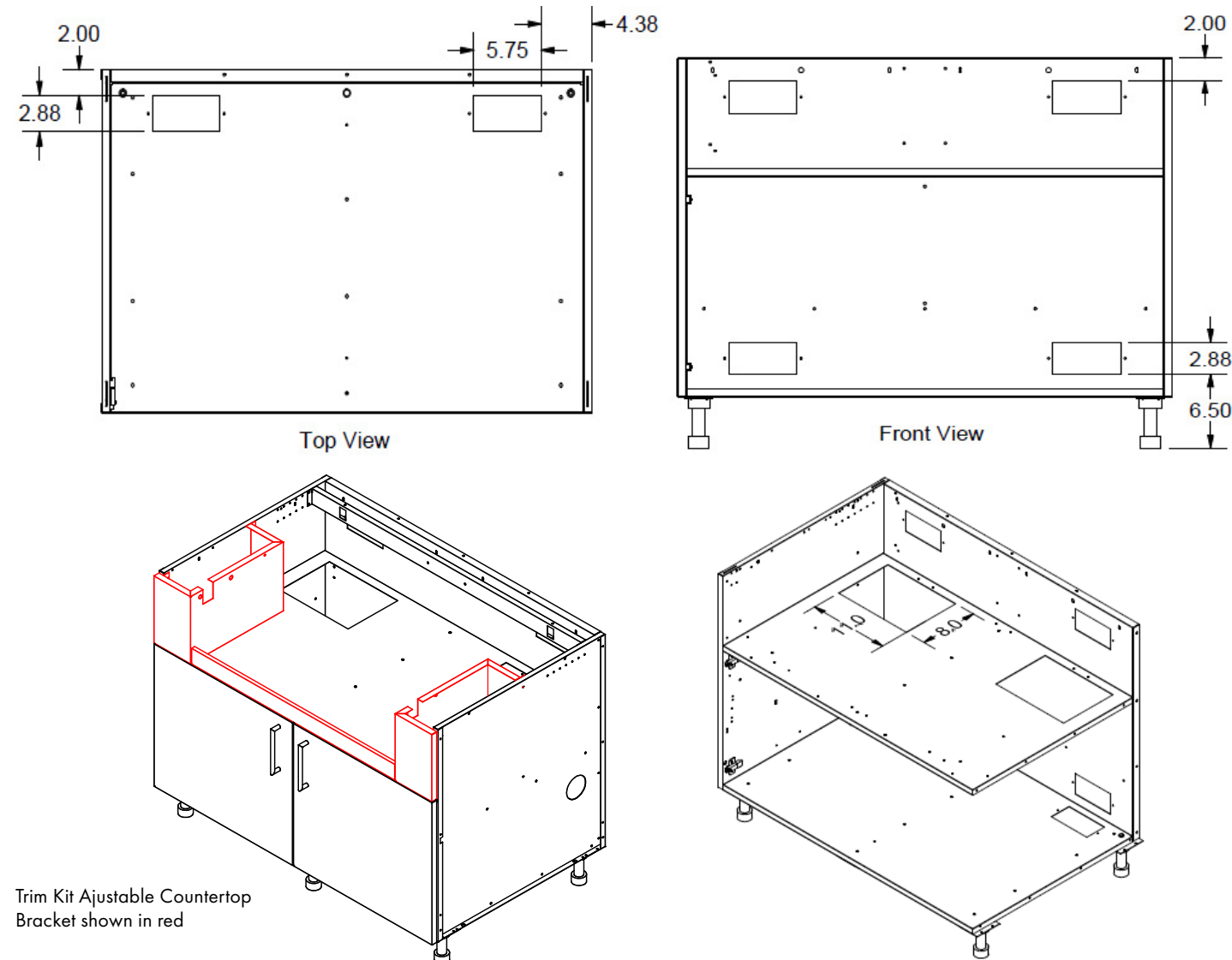
## Grill Cabinets - OGBxxxx

[\\*Return to Table of Contents](#)

- Available in widths from 30" - 62".
- Factory installed trim kits individually designed to accommodate all grill manufacturers.
- Cabinets available for additional cooking appliances such as range cooktops and Evo Grills.
- Grill Base or Grill/Warming Drawer Base specified MUST be 3-6" larger than the cutout width (i.e. 30"W grill cutout, 33-36" grill base).
- Some grill manufacturers (Wolf, Twin Eagles, Fire Magic) require a deeper cutout (11"H). This is denoted with a "H11" suffix. Example: OGB4802H11. Danver also offers an even deeper cutout and shelf (12.5"H). This is denoted with a "H12.5" suffix. Example: OGB4802H12.5. This shelf height is also needed when using a .75" countertop with a deep grill cutout.
- Pellet and charcoal smokers typically require a very large cutout and shelf (18.5"H).
- Gas appliance ventilation cutout dimensions are 2.88" x 5.75". Cutouts come with vented covers.

\*NOTE: While our cabinetry can house most grill models on the market, they are not approved for use with Argentine or Santa Maria style grills, and/or odd shaped pellet grill models and grills that have their own cart attachment, (e.g., Recteq). If you are unsure if a particular grill can be housed in our cabinetry, please contact Sales@danver.com for clarification.

\*NOTE: Extra depth cabinets are not available in all sizes, please contact: Sales@danver.com for specific needs.



## Grill Cabinets - Shelf Height & Cutout calculation

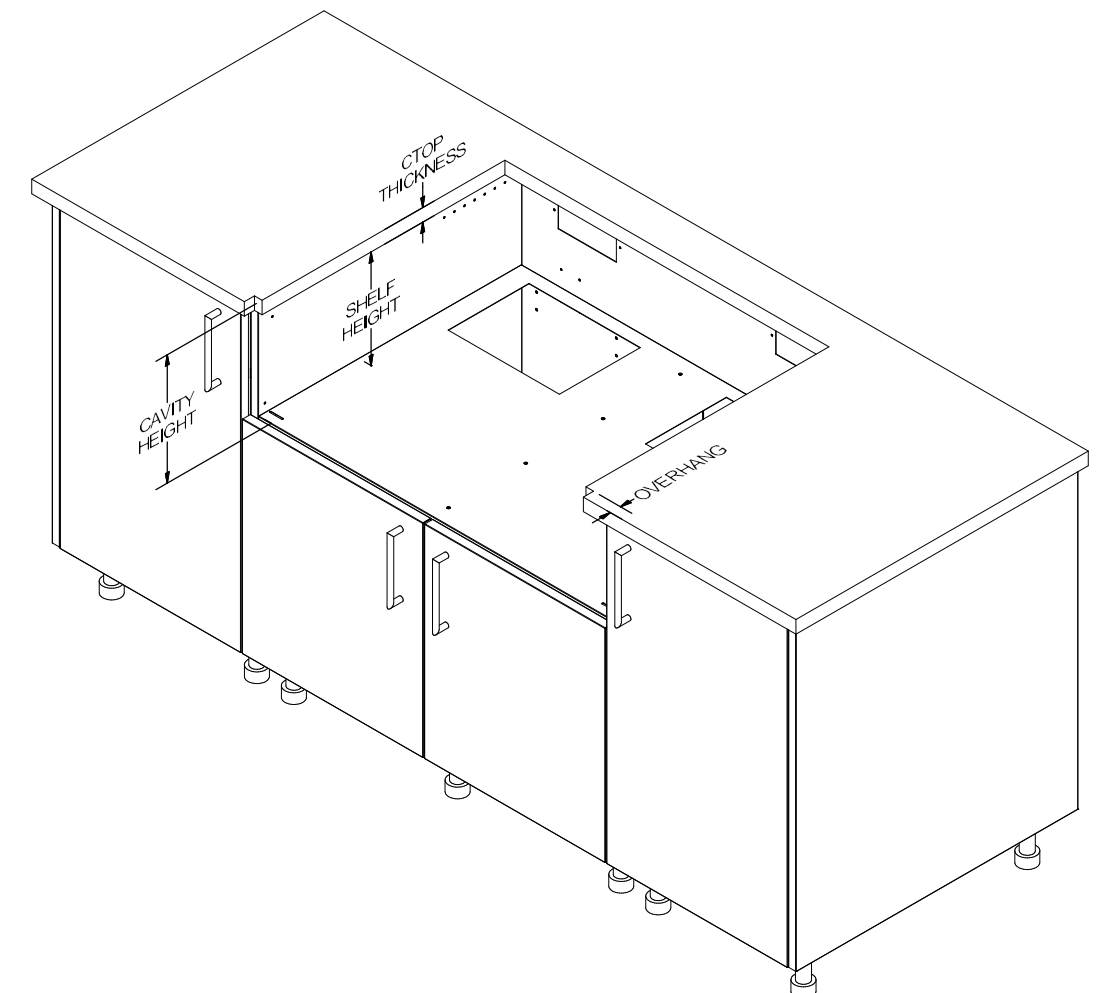
[\\*Return to Table of Contents](#)

Appliance Cabinet cutout height requirement is calculated as: **Shelf Height PLUS Counter Top Height MINUS Manufacturer Cutout Height**. If this calculation is a negative number, a cabinet with a deeper Shelf Height must be used. See example below for sizing.

- OBC/OBB/OGB/OGWxxxx standard appliance base **shelf height is 9.75"**
- OBC/OBB/OGB/OGWxxxxH11 appliance base **shelf height is 11"**
- OBC/OBB/OGBxxxxH12.5 appliance base **shelf height is 12.5"**
- OGBxxxxH15.5 grill base **shelf height is 15.5"**
- OGBxxxxH18.5 grill base **shelf height is 18.5"**

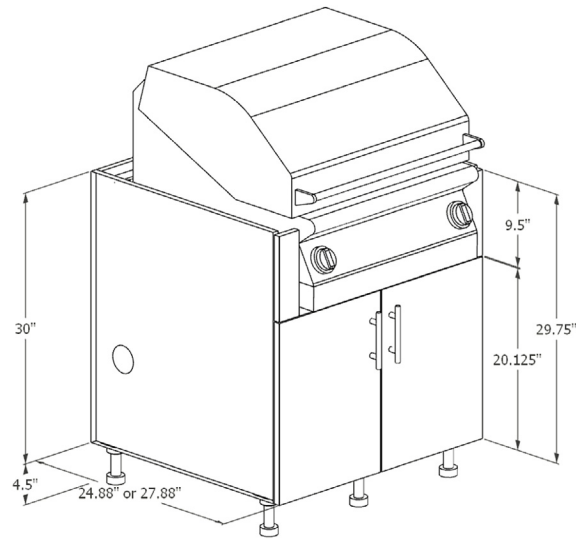
Appliance Base shelf height should be as close to the required Appliance cutout height as possible. Using a lower shelf height than required reduces the amount of usable cabinet storage space below the Appliance.

Example: Alfresco ALXE-42 40.5"W x 10.25"H x 23"D. The ALXE-42 installed with a 1.25" thick countertop will fit in a standard 9.75"H shelf depth Appliance cabinet. An 11"H shelf depth or greater should only be used in situations with multiple Appliances where required shelf heights differ.

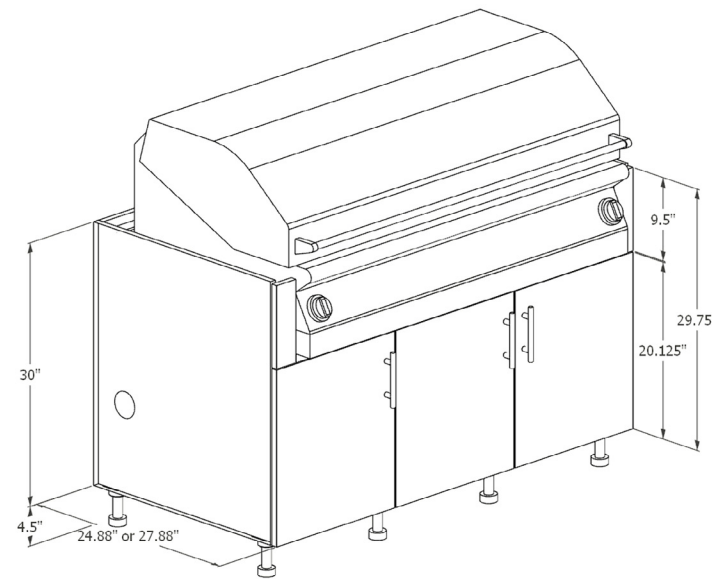


## Grill Cabinets - Doors: OGBxx02, OGBxx03

[\\*Return to Table of Contents](#)



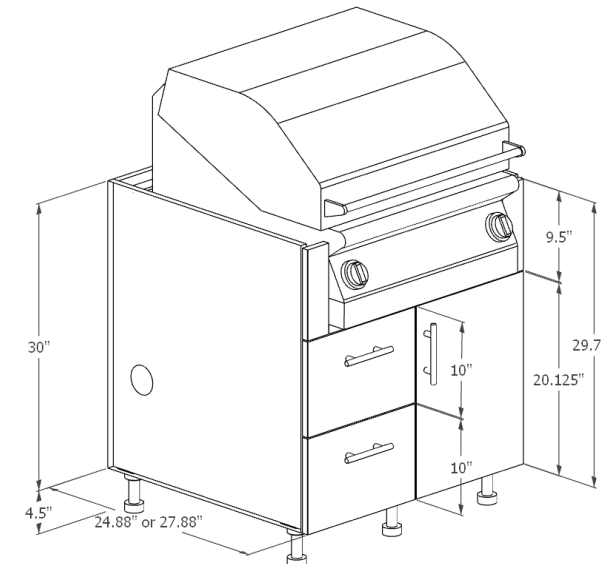
Product Description	
OGBxx02: Outdoor Grill Base, 2 Doors. 9.75"H grill shelf (9.5"H trim kit sides)	
27" Depth SKU	24" Depth SKU
OGB3002	OGB3002-24
OGB3302	OGB3302-24
OGB3602	OGB3602-24
OGB3902	OGB3902-24
OGB4202	OGB4202-24
OGB4502	OGB4502-24
OGB4802	OGB4802-24



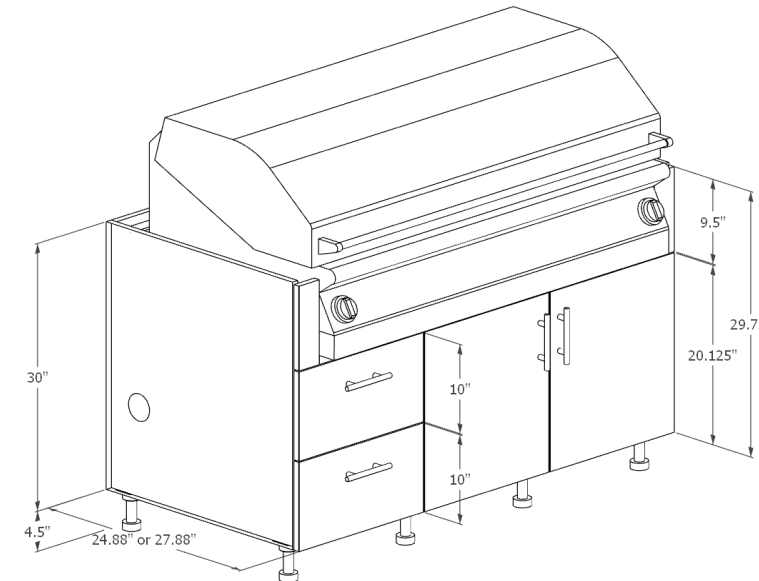
Product Description	
OGBxx03: Outdoor Grill Base, 3 Doors. 9.75"H grill shelf (9.5"H trim kit sides)	
27" Depth SKU	24" Depth SKU
OGB5403	OGB5403-24
OGB5803	OGB5803-24
OGB6203	OGB6203-24

## Grill Cabinets - Drawers/Doors: OGBxx21, OGBxx22, OGBxx41

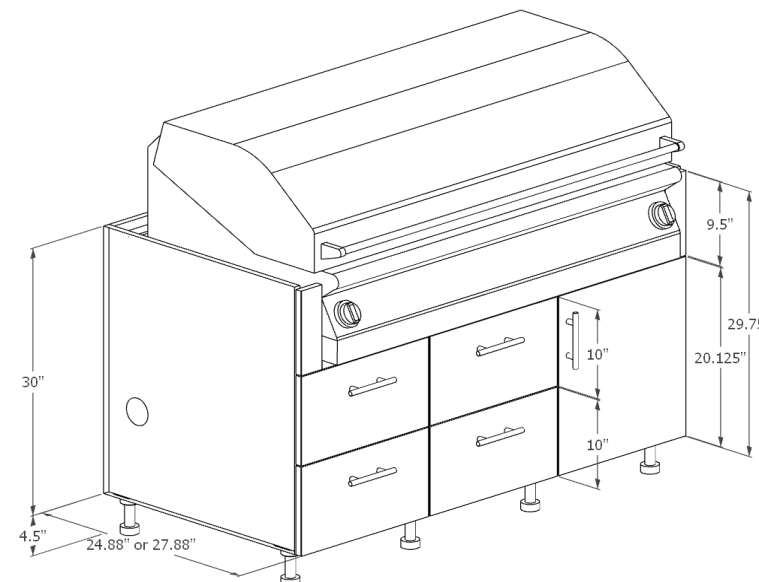
[\\*Return to Table of Contents](#)



Product Description	
OGBxx21: Outdoor Grill Base, 2 Drawers, 1 Door. 9.75"H grill shelf (9.5"H trim kit sides)	
27" Depth SKU	24" Depth SKU
OGB3021	OGB3021-24
OGB3321	OGB3321-24
OGB3621	OGB3621-24
OGB3921	OGB3921-24
OGB4221	OGB4221-24
OGB4521	OGB4521-24
OGB4821	OGB4821-24



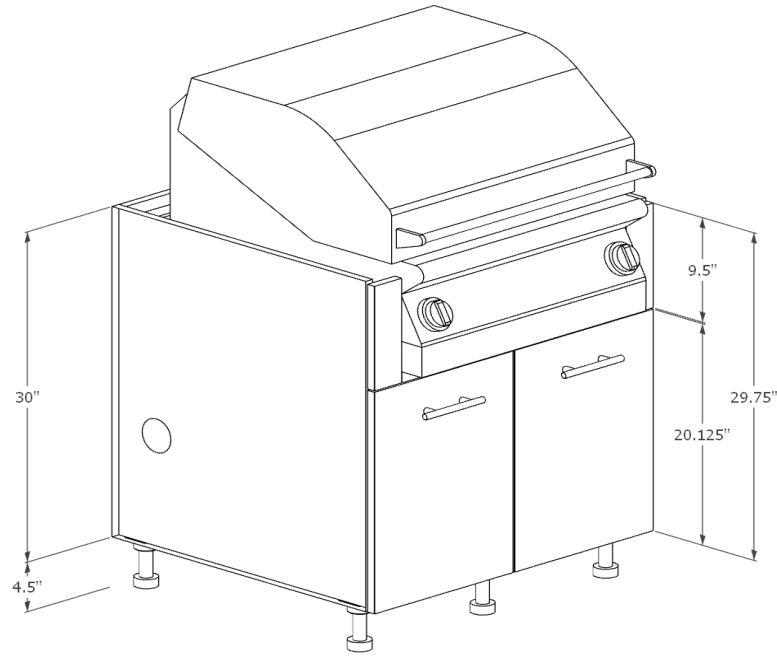
Product Description	
OGBxx22: Outdoor Grill Base 2 Drawers, 2 Doors. 9.75"H grill shelf (9.5"H trim kit sides)	
27" Depth SKU	24" Depth SKU
OGB5422	OGB5422-24
OGB5822	OGB5822-24
OGB6222	OGB6222-24



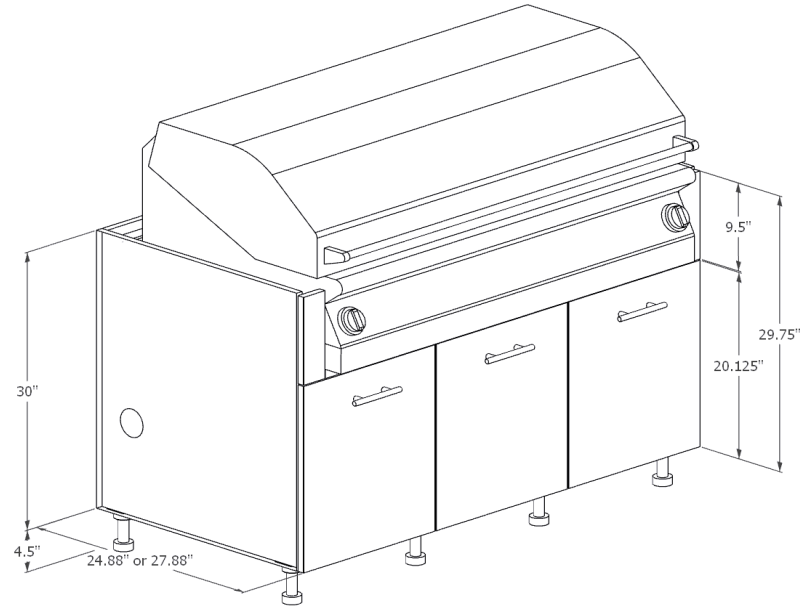
Product Description	
OGBxx41: Outdoor Grill Base, 4 Drawers, 1 Door. 9.75"H grill shelf (9.5"H trim kit sides)	
27" Depth SKU	24" Depth SKU
OGB5441	OGB5441-24
OGB5841	OGB5841-24
OGB6241	OGB6241-24

## Grill Cabinets - Full-Height Drawers: OGBxx20, OGBxx30

[\\*Return to Table of Contents](#)



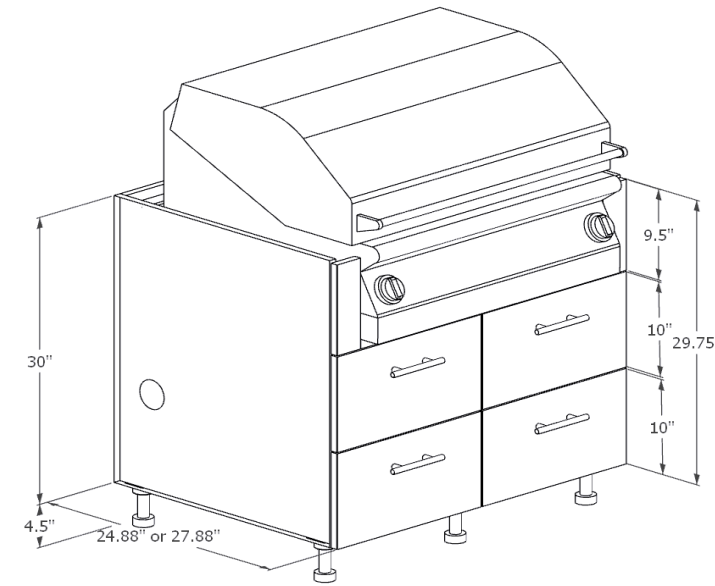
Product Description	
OGBxx20: Outdoor Grill Base, 2 Full-Height Drawers. 9.75"H grill shelf (9.5"H trim kit sides)	
27" Depth SKU	24" Depth SKU
OGB3020	OGB3020-24
OGB3320	OGB3320-24
OGB3620	OGB3620-24
OGB3920	OGB3920-24
OGB4220	OGB4220-24
OGB4520	OGB4520-24
OGB4820	OGB4820-24



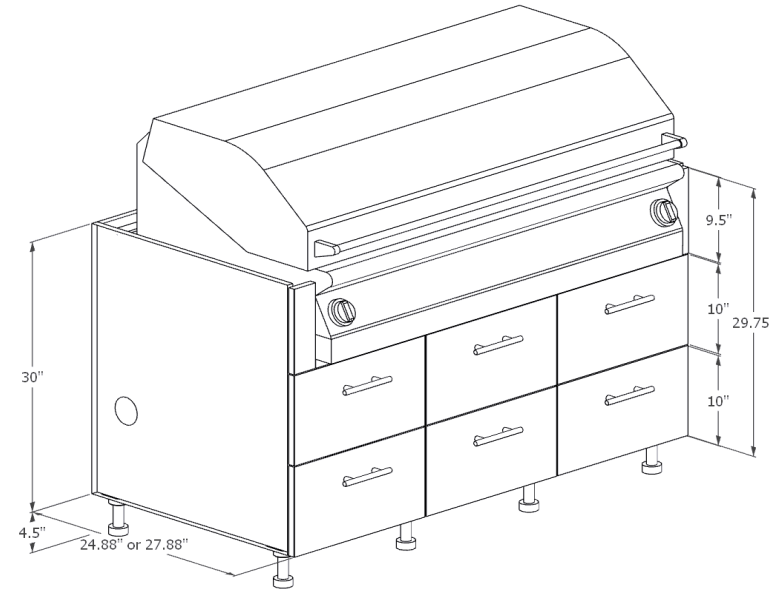
Product Description	
OGBxx30: Outdoor Grill Base, 3 Full-Height Drawers. 9.75"H grill shelf (9.5"H trim kit sides)	
27" Depth SKU	24" Depth SKU
OGB5430	OGB5430-24
OGB5830	OGB5830-24
OGB6230	OGB6230-24

## Grill Cabinets - Drawers: OGBxx40, OGBxx60

[\\*Return to Table of Contents](#)



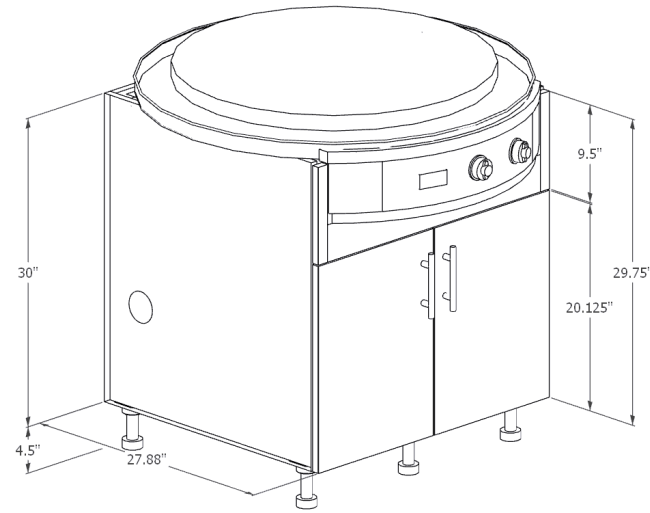
Product Description	
OGBxx40: Outdoor Grill Base, 4 Drawers. 9.75"H grill shelf (9.5"H trim kit sides)	
27" Depth SKU	24" Depth SKU
OGB3640	OGB3640-24
OGB3940	OGB3940-24
OGB4240	OGB4240-24
OGB4540	OGB4540-24
OGB4840	OGB4840-24



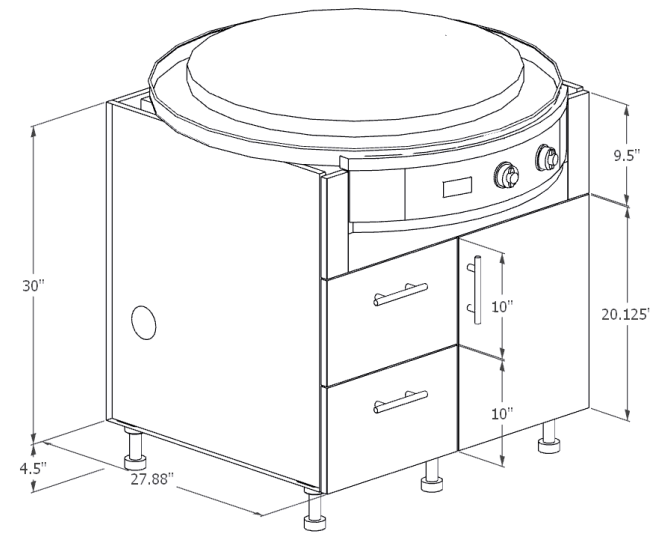
Product Description	
OGBxx60: Outdoor Grill Base, 6 Drawers. 9.75"H grill shelf (9.5"H trim kit sides)	
27" Depth SKU	24" Depth SKU
OGB5460	OGB5460-24
OGB5860	OGB5860-24
OGB6260	OGB6260-24

# Grill Cabinets - EVO: OGBxxxx-EVO

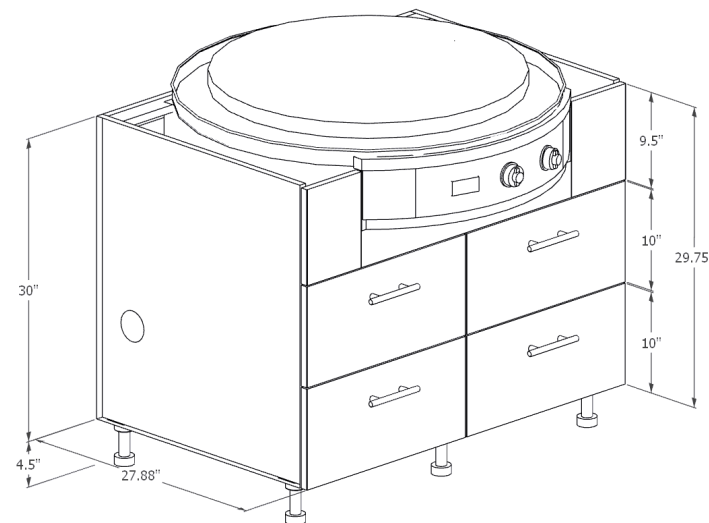
[\\*Return to Table of Contents](#)



Product Description	
OGBxx02-EVO: Outdoor Grill Base, 2 Doors. 9.75"H grill shelf (9.5"H trim kit sides), *countertop thickness must be 1.25"H*	
NOTE: EVO 25G Grill with a countertop thickness less than 1.25" will require a grill size of OGB33xx-EVO or larger. EVO 30G Grill must use a countertop thickness of 1.25" or thicker.	
27" Depth SKU	24" Depth SKU
OGB3302-EVO	N/A
OGB3602-EVO	N/A
OGB3902-EVO	N/A
OGB4202-EVO	N/A
OGB4802-EVO	N/A



Product Description	
OGBxx21-EVO: Outdoor Grill Base, 2 Drawers, 1 Door. 9.75"H grill shelf (9.5"H trim kit sides), *countertop thickness must be 1.25"H*	
NOTE: EVO 25G Grill with a countertop thickness less than 1.25" will require a grill size of OGB33xx-EVO or larger. EVO 30G Grill must use a countertop thickness of 1.25" or thicker.	
27" Depth SKU	24" Depth SKU
OGB3321-EVO	N/A
OGB3621-EVO	N/A
OGB3921-EVO	N/A
OGB4221-EVO	N/A

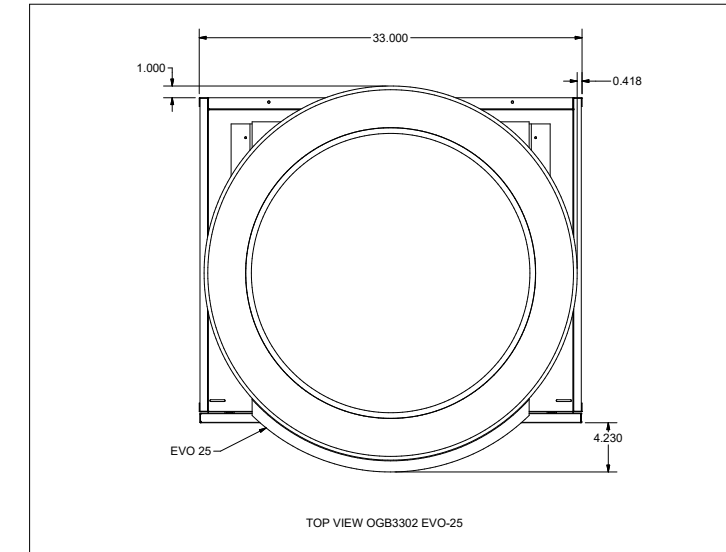


Product Description	
OGBxx40-EVO: Outdoor Grill Base, 4 Drawers. 9.75"H grill shelf (9.5"H trim kit sides), *countertop thickness must be 1.25"H*	
NOTE: EVO 25G Grill with a countertop thickness less than 1.25" will require a grill size of OGB33xx-EVO or larger. EVO 30G Grill must use a countertop thickness of 1.25" or thicker.	
27" Depth SKU	24" Depth SKU
OGB3340-EVO	N/A
OGB3640-EVO	N/A
OGB3940-EVO	N/A
OGB4240-EVO	N/A

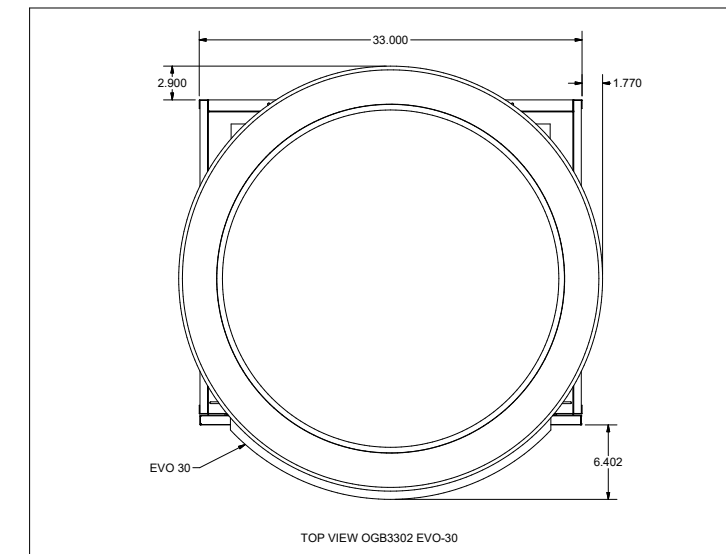
Note: 25" and 30" EVO grills installed in 33" wide base will overhang the cabinet sides and back slightly. Please see following page for top view and additional specifications.

# Grill Cabinets - EVO: OGB33xx-EVO details/top view

[\\*Return to Table of Contents](#)



Note: Top view of 25" EVO installed in OGB3302. There is no overhang on the cabinet sides but it does overhang by 1" on the cabinet back.

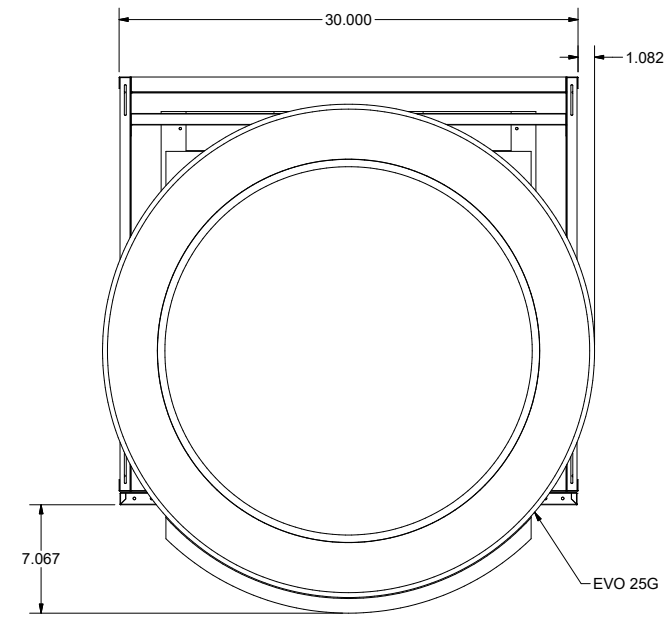


Note: Top view of 30" EVO installed in OGB3302. The grill overhangs 1.77" on the side as well as 2.9" on the cabinet back.

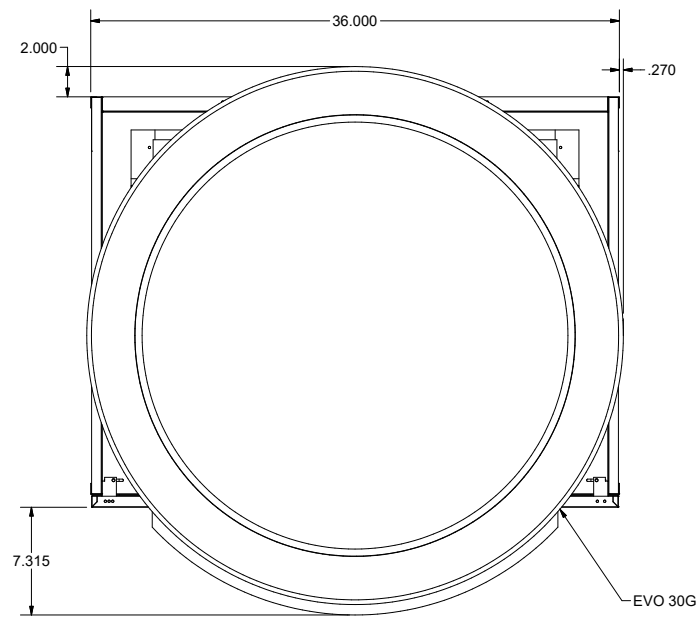
Note: If PPS PANELS are powder coated, the PPS SUPPORT MID and END parts will be powder coated as well.

## Grill Cabinets - EVO: OGBxx30 & xx36-EVO details/top view

[\\*Return to Table of Contents](#)



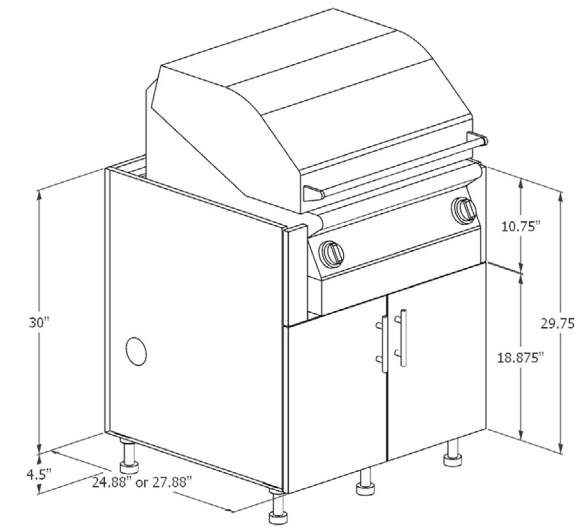
Note: Top view of 25" EVO installed in OGB30xx. There is a 1.08" overhang on the cabinet sides.



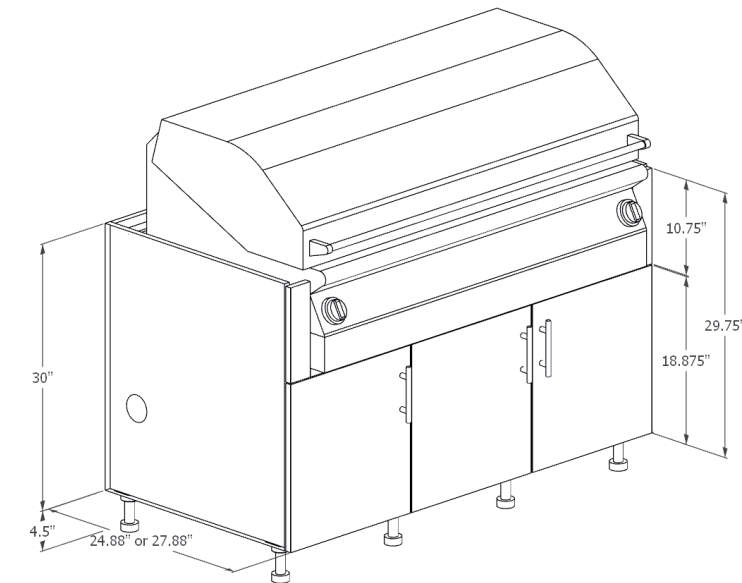
Note: Top view of 30" EVO installed in OGB36xx. The grill overhangs .27" on the sides as well as 2" in the back.

## Grill Cabinets - OGBxx02H11, OGBxx03H11

[\\*Return to Table of Contents](#)



Product Description	
OGBxx02H11: Outdoor Grill Base, 2 Doors, Deep. 11"H grill shelf (10.75"H trim kit sides)	
27" Depth SKU	24" Depth SKU
OGB3002H11	OGB3002H11-24
OGB3302H11	OGB3302H11-24
OGB3602H11	OGB3602H11-24
OGB4202H11	OGB4202H11-24
OGB4802H11	OGB4802H11-24

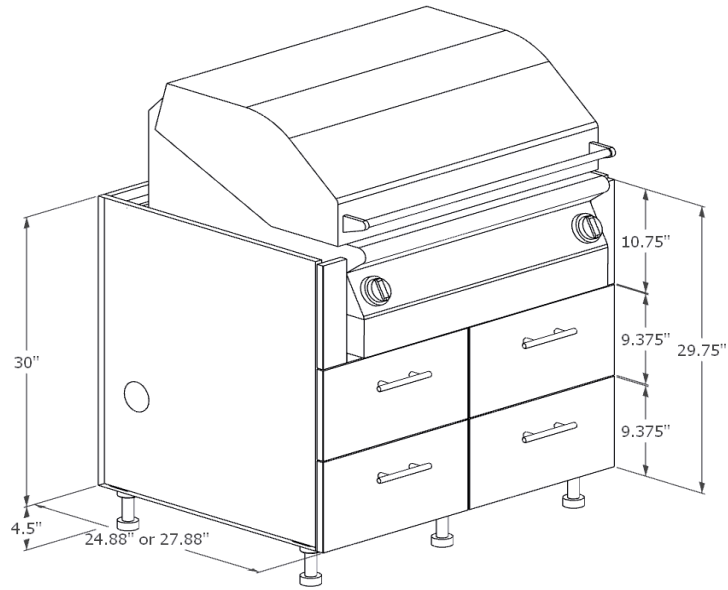


Product Description	
OGBxx03H11: Outdoor Grill Base, 3 Doors, Deep. 11"H grill shelf (10.75"H trim kit sides)	
27" Depth SKU	24" Depth SKU
OGB5403H11	OGB5403H11-24
OGB5803H11	OGB5803H11-24
OGB6203H11	OGB6203H11-24

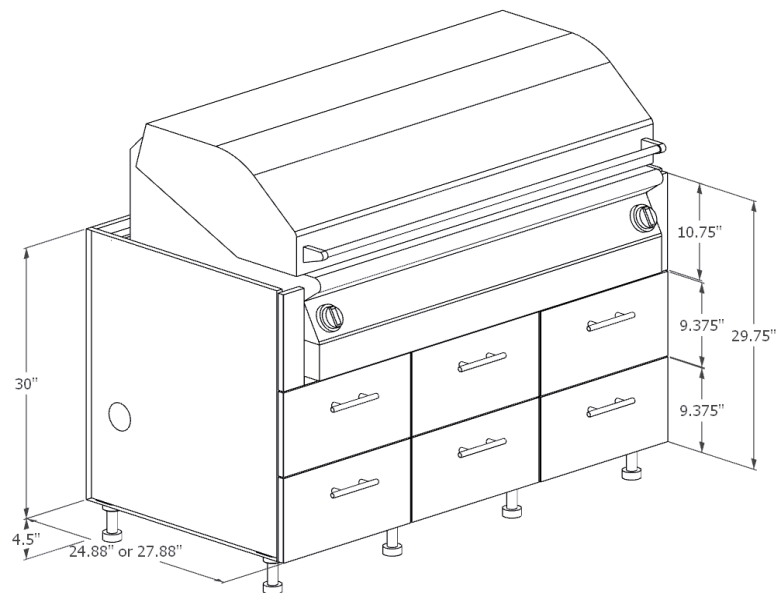


# Grill Cabinets - OGBxx40H11, OGBxx60H11

[\\*Return to Table of Contents](#)



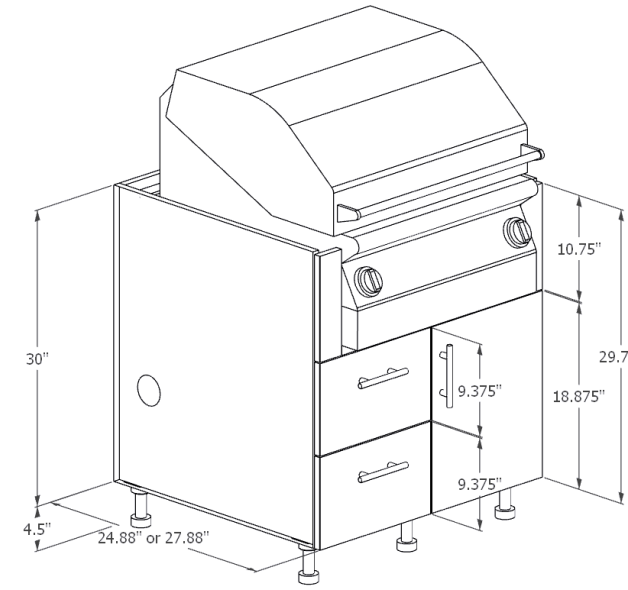
Product Description	
OGBxx40H11: Outdoor Grill Base, 4 Drawers, Deep. 11"H grill shelf (10.75"H trim kit sides)	
27" Depth SKU	24" Depth SKU
OGB3640H11	OGB3640H11-24
OGB3940H11	OGB3940H11-24
OGB4240H11	OGB4240H11-24
OGB4540H11	OGB4540H11-24
OGB4840H11	OGB4840H11-24



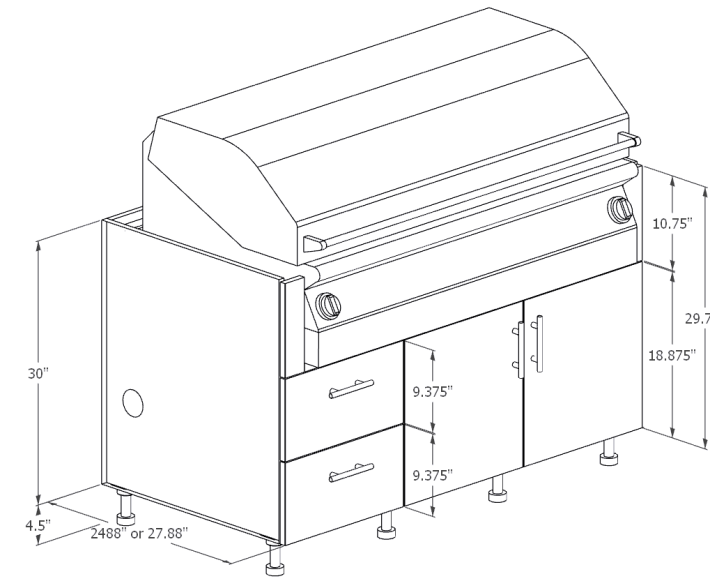
Product Description	
OGBxx60H11: Outdoor Grill Base, Deep, 6 Drawers. 11"H grill shelf (10.75"H trim kit sides)	
27" Depth SKU	24" Depth SKU
OGB5460H11	OGB5460H11-24
OGB5860H11	OGB5860H11-24
OGB6260H11	OGB6260H11-24

# Grill Cabinets - OGBxx21H11, xx22H11, xx41H11

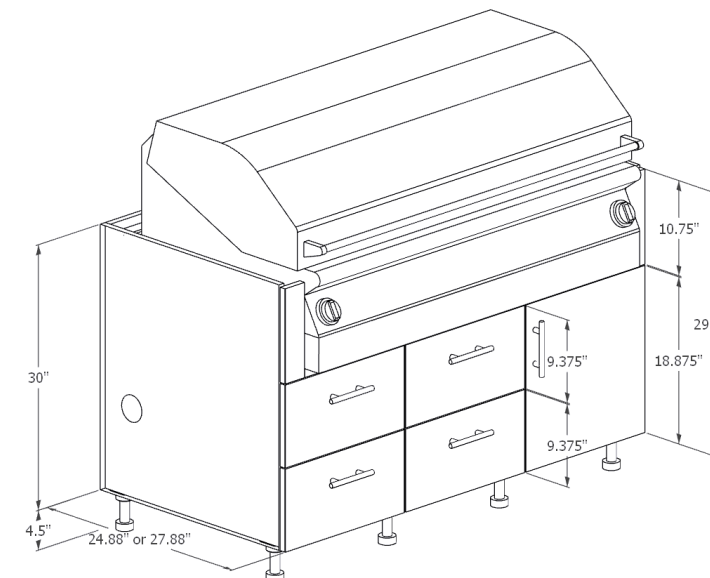
[\\*Return to Table of Contents](#)



Product Description	
OGBxx21H11: Outdoor Grill Base, 2 Drawers, 1 Door, Deep. 11"H grill shelf (10.75"H trim kit sides)	
27" Depth SKU	24" Depth SKU
OGB3021H11	OGB3021H11-24
OGB3321H11	OGB3321H11-24
OGB3621H11	OGB3621H11-24
OGB3921H11	OGB3921H11-24
OGB4221H11	OGB4221H11-24
OGB4521H11	OGB4521H11-24
OGB4821H11	OGB4821H11-24



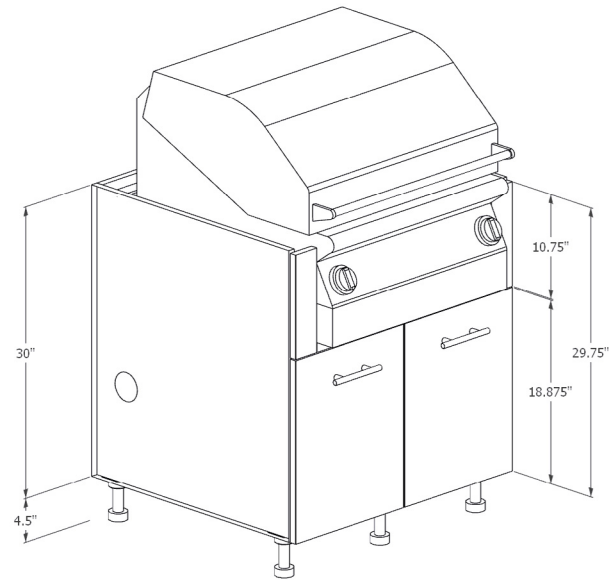
Product Description	
OGBxx22H11: Outdoor Grill Base, Deep, 2 Drawers, 2 Doors. 11"H grill shelf (10.75"H trim kit sides)	
27" Depth SKU	24" Depth SKU
OGB5422H11	OGB5422H11-24
OGB5822H11	OGB5822H11-24
OGB6222H11	OGB6222H11-24



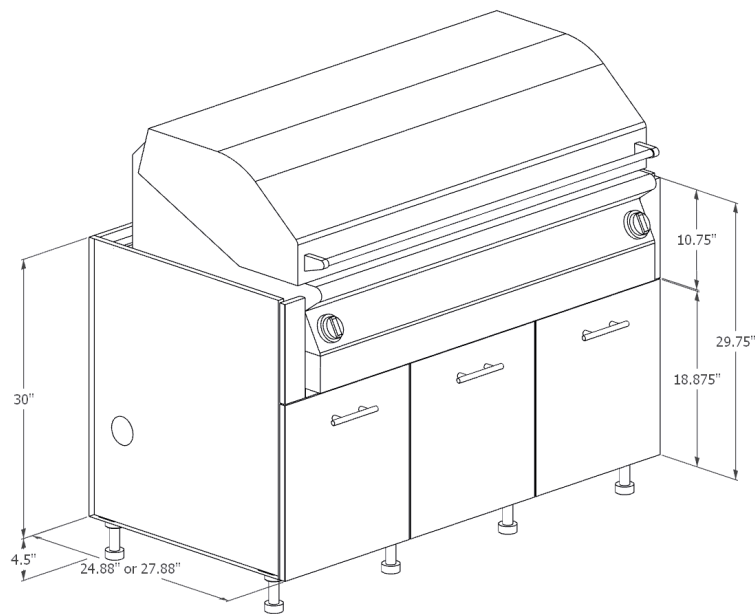
Product Description	
OGBxx41H11: Outdoor Grill Base, Deep, 4 Drawers, 1 Door. 11"H grill shelf (10.75"H trim kit sides)	
27" Depth SKU	24" Depth SKU
OGB5441H11	OGB5441H11-24
OGB5841H11	OGB5841H11-24
OGB6241H11	OGB6241H11-24

## Grill Cabinets - OGBxx20H11, OGBxx30H11

[\\*Return to Table of Contents](#)



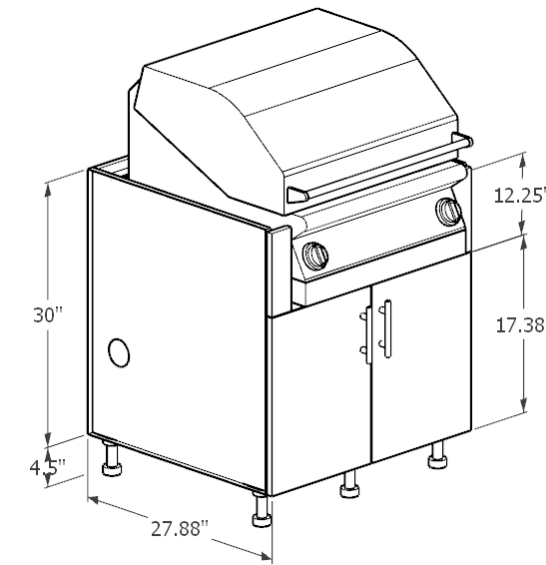
Product Description	
OGBxx20H11: Outdoor Grill Base, Deep, 2 Full-Height Drawers. 11"H grill shelf (10.75"H trim kit sides)	
27" Depth SKU	24" Depth SKU
OGB3020H11	OGB3020H11-24
OGB3320H11	OGB3320H11-24
OGB3620H11	OGB3620H11-24
OGB3920H11	OGB3920H11-24
OGB4220H11	OGB4220H11-24
OGB4520H11	OGB4520H11-24
OGB4820H11	OGB4820H11-24



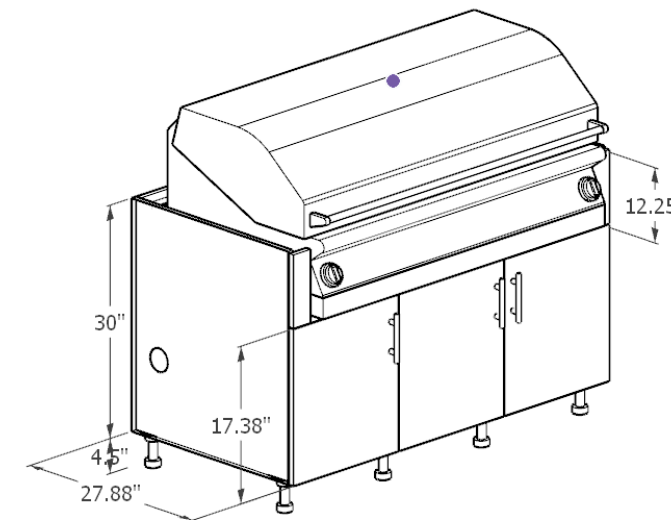
Product Description	
OGBxx30H11: Outdoor Grill Base, Deep, 3 Full-Height Drawers. 11"H grill shelf (10.75"H trim kit sides)	
27" Depth SKU	24" Depth SKU
OGB5430H11	OGB5430H11-24
OGB5830H11	OGB5830H11-24
OGB6230H11	OGB6230H11-24

## Grill Cabinets - OGBxx02H12.5, OGBxx03H12.5

[\\*Return to Table of Contents](#)



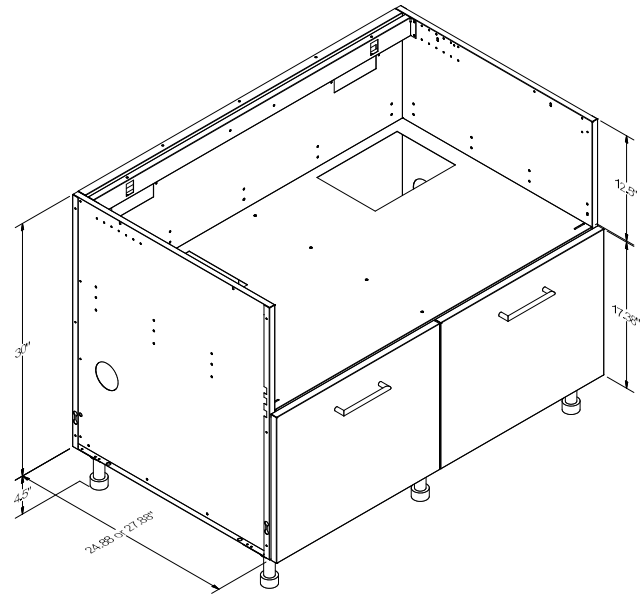
Product Description	
OGBxx02H12.5: Outdoor Grill Base, 2 Doors 12.5"H grill shelf (12.25"H trim kit sides)	
27" Depth SKU	24" Depth SKU
OGB3302H12.5	OGB3302H12.5-24
OGB3602H12.5	OGB3602H12.5-24
OGB3902H12.5	OGB3902H12.5-24
OGB4202H12.5	OGB4202H12.5-24
OGB4502H12.5	OGB4502H12.5-24
OGB4802H12.5	OGB4802H12.5-24



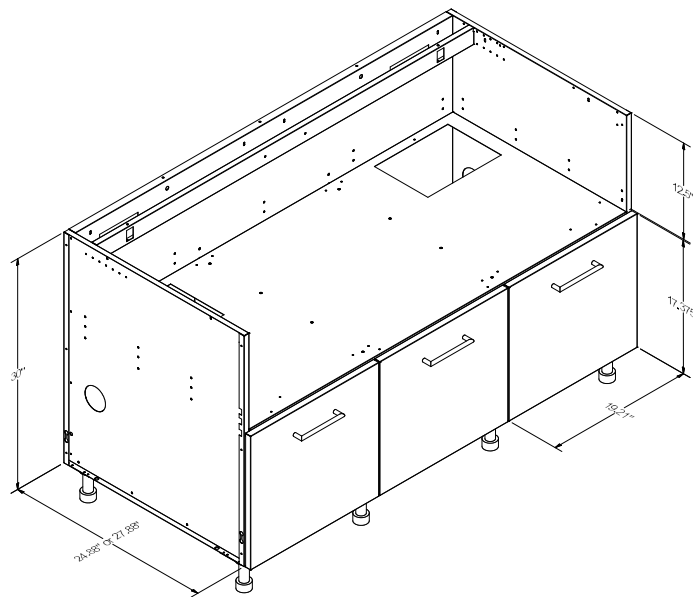
Product Description	
OGBxx03H12.5: Outdoor Grill Base, 3 Doors 12.5"H grill shelf (12.25"H trim kit sides)	
27" Depth SKU	24" Depth SKU
OGB5403H12.5	OGB5403H12.5-24
OGB5803H12.5	OGB5803H12.5-24
OGB6203H12.5	OGB6203H12.5-24

## Grill Cabinets - OGBxx20H12.5, OGBxx30H12.5

[\\*Return to Table of Contents](#)



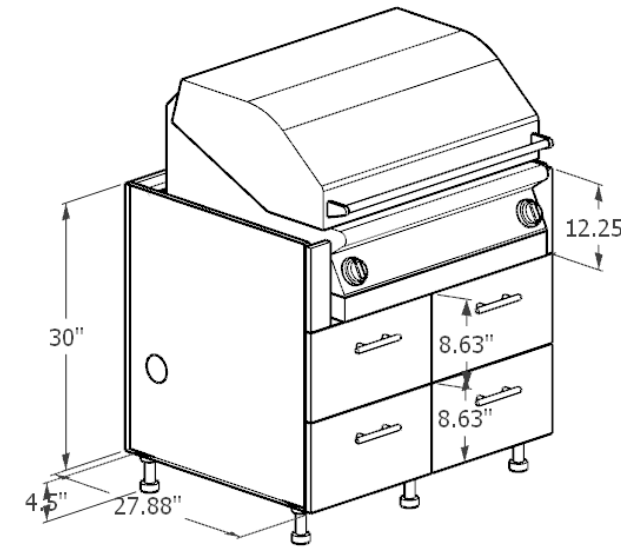
Product Description	
OGBxx20H12.5: Outdoor Grill Base, 2 Drawers 12.5"H grill shelf (12.25"H trim kit sides)	
27" Depth SKU	24" Depth SKU
OGB3020H12.5	OGB3020H12.5-24
OGB3320H12.5	OGB3320H12.5-24
OGB3620H12.5	OGB3620H12.5-24
OGB3920H12.5	OGB3920H12.5-24
OGB4220H12.5	OGB4220H12.5-24
OGB4520H12.5	OGB4520H12.5-24
OGB4820H12.5	OGB4820H12.5-24



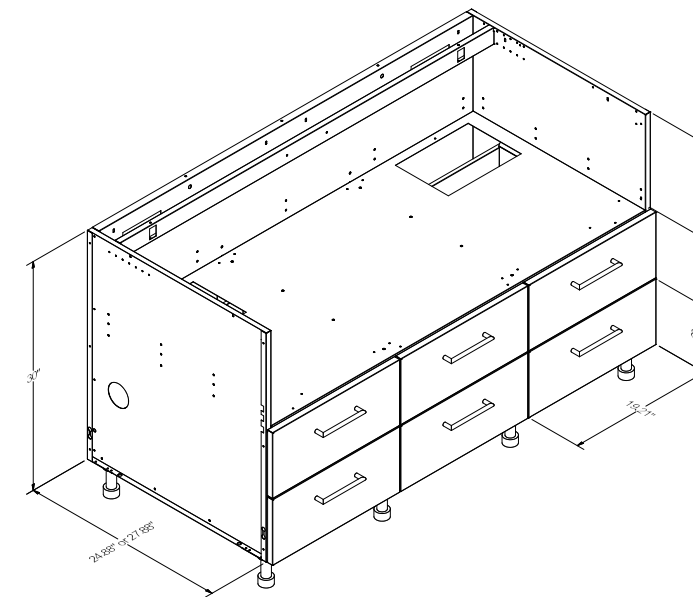
Product Description	
OGBxx30H12.5: Outdoor Grill Base, 3 Drawers. 12.5"H grill shelf (12.25"H trim kit sides)	
27" Depth SKU	24" Depth SKU
OGB5430H12.5	OGB5430H12.5-24
OGB5830H12.5	OGB5830H12.5-24
OGB6230H12.5	OGB6230H12.5-24

## Grill Cabinets - OGBxx40H12.5, OGBxx60H12.5

[\\*Return to Table of Contents](#)



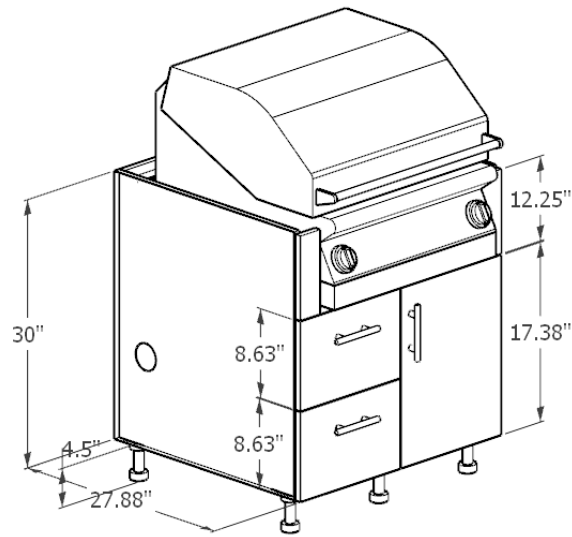
Product Description	
OGBxx40H12.5: Outdoor Grill Base, 4 Drawers 12.5"H grill shelf (12.25"H trim kit sides)	
27" Depth SKU	24" Depth SKU
OGB3640H12.5	OGB3640H12.5-24
OGB3940H12.5	OGB3940H12.5-24
OGB4240H12.5	OGB4240H12.5-24
OGB4540H12.5	OGB4540H12.5-24
OGB4840H12.5	OGB4840H12.5-24



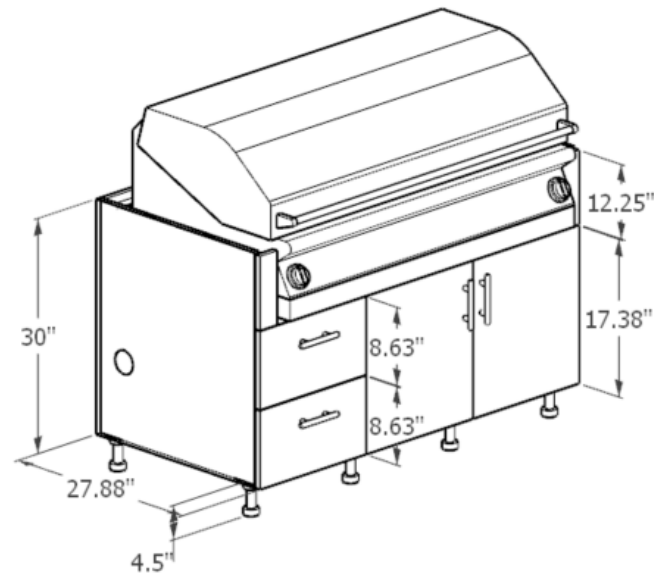
Product Description	
OGBxx60H12.5: Outdoor Grill Base, 6 Drawers 12.5"H grill shelf (12.25"H trim kit sides)	
27" Depth SKU	24" Depth SKU
OGB5460H12.5	OGB5460H12.5-24
OGB5860H12.5	OGB5860H12.5-24
OGB6260H12.5	OGB6260H12.5-24

# Grill Cabinets - OGBxx21H12.5, xx22H12.5, xx41H12.5

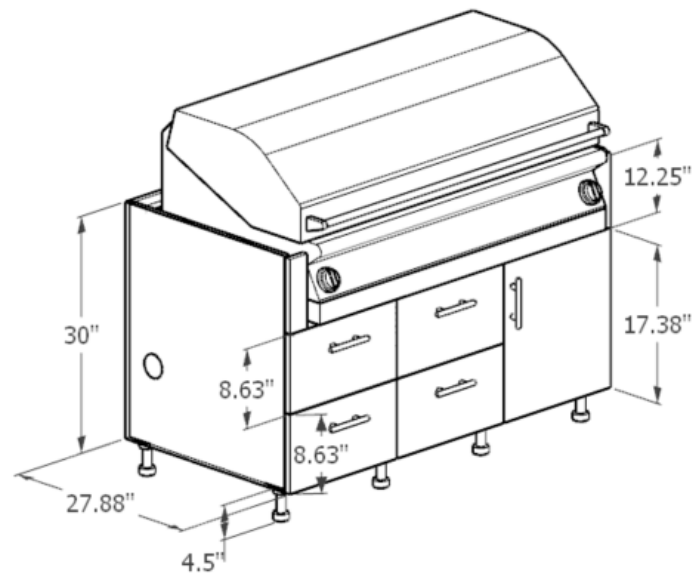
[\\*Return to Table of Contents](#)



Product Description	
OGBxx21H12.5: Outdoor Grill Base, 2 Drawers, 1 Door 12.5"H grill shelf (12.25"H trim kit sides)	
27" Depth SKU	24" Depth SKU
OGB3621H12.5	OGB3621H12.5-24
OGB3921H12.5	OGB3921H12.5-24
OGB4221H12.5	OGB4221H12.5-24
OGB4521H12.5	OGB4521H12.5-24
OGB4821H12.5	OGB4821H12.5-24



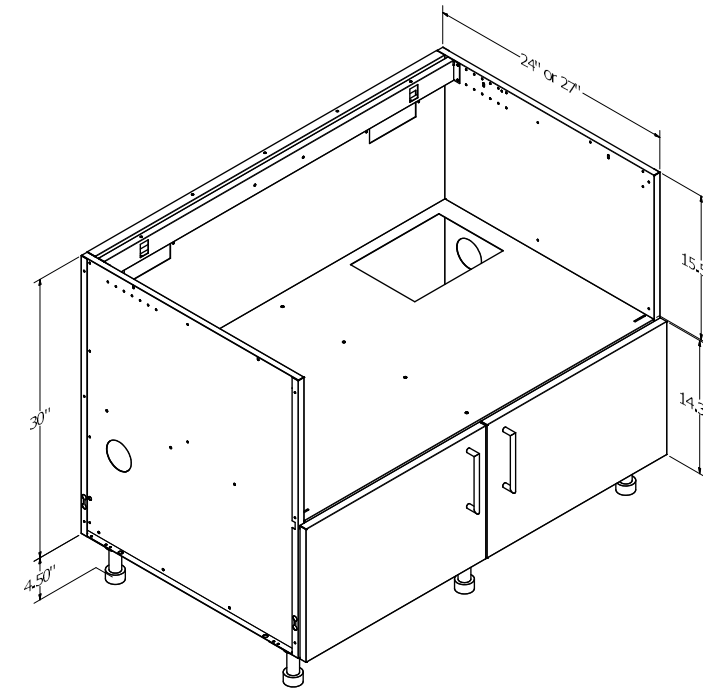
Product Description	
OGBxx22H12.5: Outdoor Grill Base, 2 Drawers, 2 Doors. 12.5"H grill shelf (12.25"H trim kit sides)	
27" Depth SKU	24" Depth SKU
OGB5422H12.5	OGB5422H12.5-24
OGB5822H12.5	OGB5822H12.5-24
OGB6222H12.5	OGB6222H12.5-24



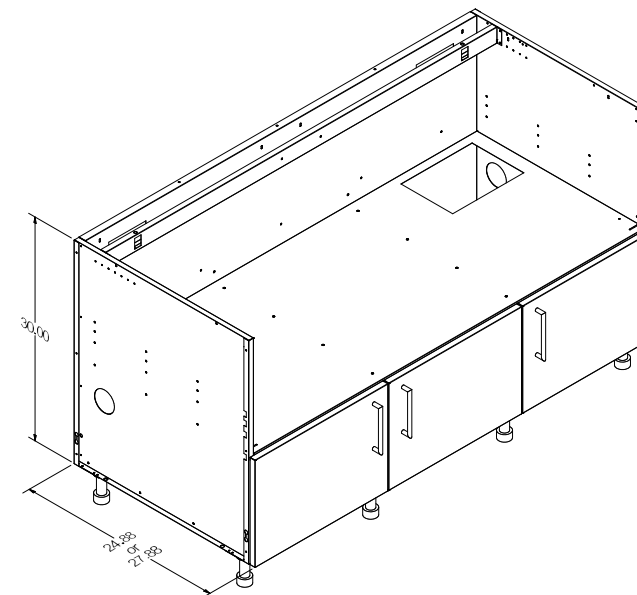
Product Description	
OGBxx41H12.5: Outdoor Grill Base, 4 Drawers, 1 Door. 12.5"H grill shelf (12.25"H trim kit sides)	
27" Depth SKU	24" Depth SKU
OGB5441H12.5	OGB5441H12.5-24
OGB5841H12.5	OGB5841H12.5-24
OGB6241H12.5	OGB6241H12.5-24

# Grill Cabinets - OGBxx02H15.5, OGBxx03H15.5

[\\*Return to Table of Contents](#)



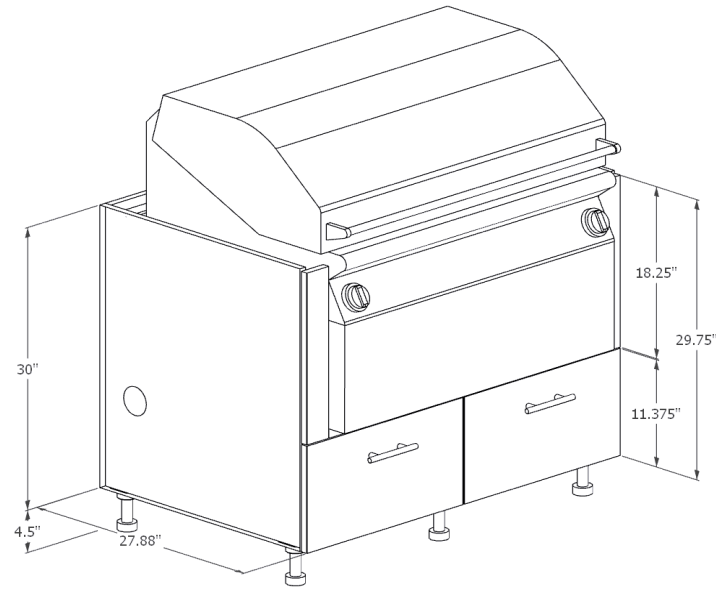
Product Description	
OGBxx02H15.5: Outdoor Grill Base, 2 Doors, Deep. 15.5"H grill shelf (15.25"H trim kit sides)	
27" Depth SKU	24" Depth SKU
OGB3002H15.5	OGB3002H15.5-24
OGB3302H15.5	OGB3302H15.5-24
OGB3602H15.5	OGB3602H15.5-24
OGB4202H15.5	OGB4202H15.5-24
OGB4802H15.5	OGB4802H15.5-24



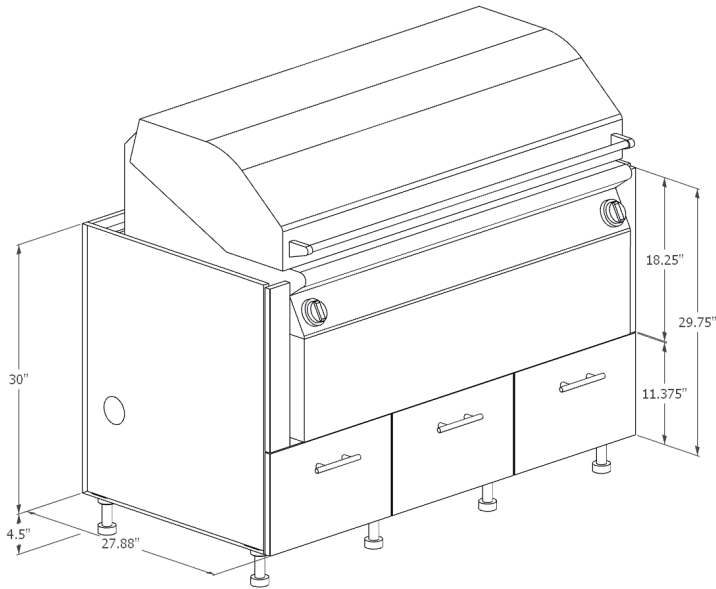
Product Description	
OGBxx03H15.5: Outdoor Grill Base, 3 Doors, Deep. 15.5"H grill shelf (15.25"H trim kit sides)	
27" Depth SKU	24" Depth SKU
OGB5403H15.5	OGB5403H15.5-24
OGB5803H15.5	OGB5803H15.5-24
OGB6203H15.5	OGB6203H15.5-24

## Grill Cabinets - OGBxx20H18.5, OGBxx30H18.5

[\\*Return to Table of Contents](#)



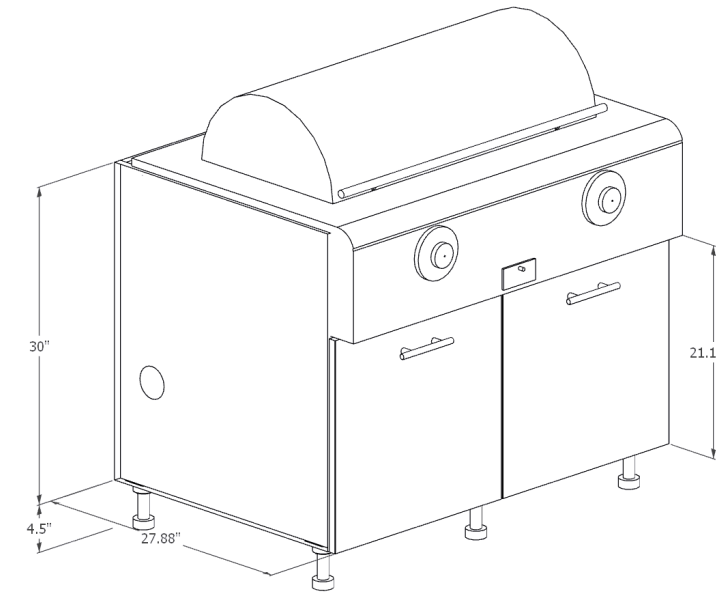
Product Description	
OGBxx20H18.5: Outdoor Grill Base 2 Drawers, extra deep shelf, for Hasty Bake grills and other extra deep cooking appliances. 18.50"H grill shelf (18.25"H trim kit sides)	
27" Depth SKU	24" Depth SKU
OGB3020H18.5	N/A
OGB3320H18.5	N/A
OGB3620H18.5	N/A
OGB3920H18.5	N/A
OGB4220H18.5	N/A
OGB4520H18.5	N/A
OGB4820H18.5	N/A



Product Description	
OGBxx30H18.5: Outdoor Grill Base, 3 Drawers, for Hasty Bake grills and other extra deep cooking appliances. 18.50"H grill shelf (18.25"H trim kit sides)	
27" Depth SKU	24" Depth SKU
OGB5430H18.5	N/A
OGB5830H18.5	N/A

## Grill Cabinets - OGBxx20-CALIBER ROCKWELL

[\\*Return to Table of Contents](#)

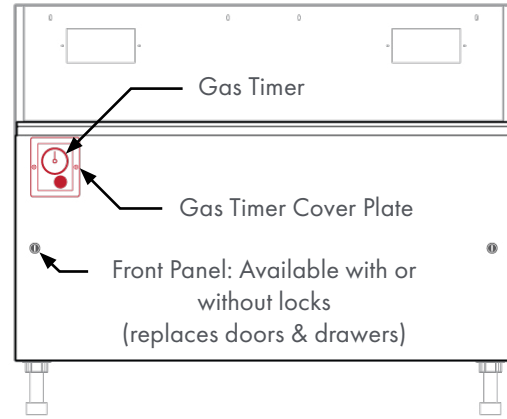


Product Description	
OGBxx20-CALIBER ROCKWELL: Outdoor Grill Base, 2 Drawers, 9.75"H grill shelf. Used ONLY for Caliber Rockwell grills of the same size, *NO TRIM KIT NEEDED! *this cabinet cannot be used on the end of a run, please call sales rep to discuss*	
27" Depth SKU	24" Depth SKU
OGB4220-CALIBER ROCKWELL	N/A
OGB4820-CALIBER ROCKWELL	N/A



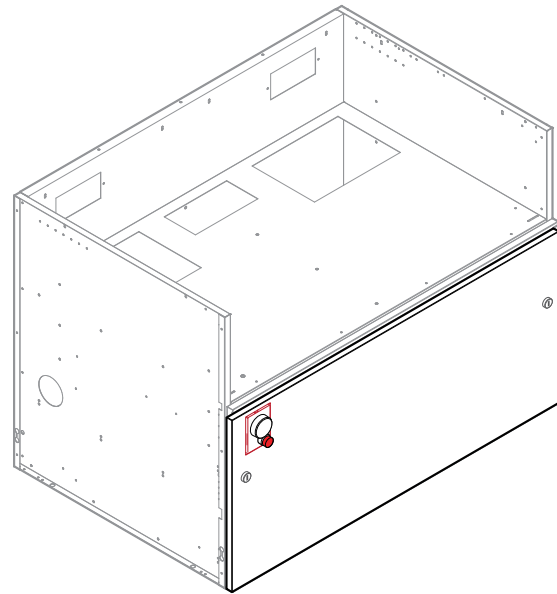
## Grill Cabinets - Gas Stop Timer: OGBxx00 GS, OGBxx00H11 GS

[\\*Return to Table of Contents](#)



Product Description	
OGBxx00 GS: Outdoor Grill Base, No Doors/Drawers, Full bottom Tecno-style Panel with 1-hour Gas Shutoff Timer included. 9.75"H grill shelf (9.5"H trim kit sides)	
27" Depth SKU	24" Depth SKU
OGB3300 GS	OGB3300-24 GS
OGB3600 GS	OGB3600-24 GS
OGB3900 GS	OGB3900-24 GS
OGB4200 GS	OGB4200-24 GS
OGB4500 GS	OGB4500-24 GS
OGB4800 GS	OGB4800-24 GS
OGB5400 GS	OGB5400-24 GS
OGB5800 GS	OGB5800-24 GS

Note: Gas Stop Timer bases 45"+ come with two identical cover plates split in the middle. The timer will remain on the left side when facing the base from the front.

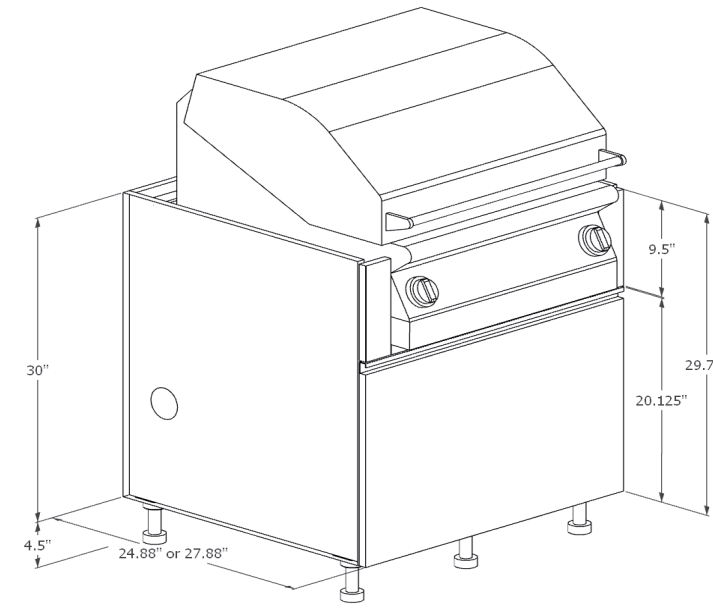


Product Description	
OGBxx00H11 GS: Outdoor Grill Base Deep, No Doors/Drawers, Full bottom Tecno-style Panel with 1-hour Gas Shutoff Timer included. 11"H grill shelf (10.75"H trim kit sides)	
27" Depth SKU	24" Depth SKU
OGB3300H11 GS	OGB3300H11-24 GS
OGB3600H11 GS	OGB3600H11-24 GS
OGB3900H11 GS	OGB3900H11-24 GS
OGB4200H11 GS	OGB4200H11-24 GS
OGB4500H11 GS	OGB4500H11-24 GS
OGB4800H11 GS	OGB4800H11-24 GS
OGB5400H11 GS	OGB5400H11-24 GS
OGB5800H11 GS	OGB5800H11-24 GS

Note: Gas Stop Timer bases 45"+ come with two identical cover plates split in the middle. The timer will remain on the left side when facing the base from the front.

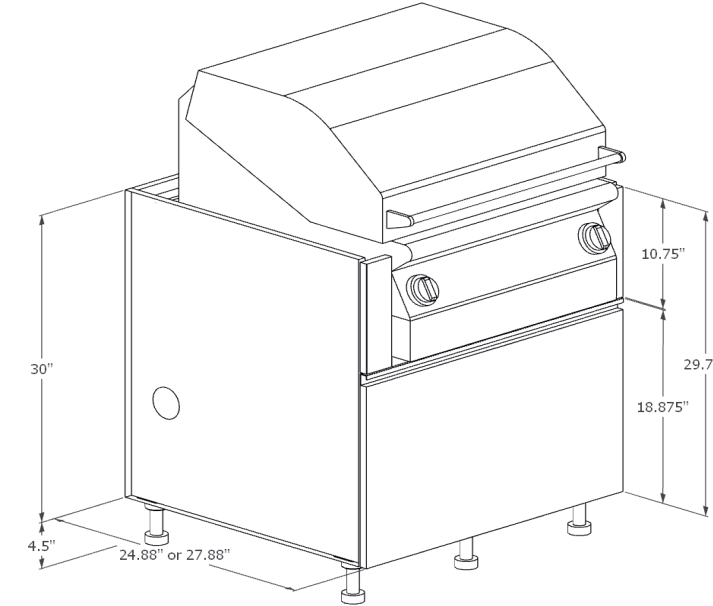
## Grill Cabinets - Tecno Style: OGBxx00, OGBxx00H11

[\\*Return to Table of Contents](#)



Product Description	
OGBxx00: Outdoor Grill Base, No Doors/Drawers, Full-Face Tecno-style Panel, installed on magnets with no hinges. 9.75"H grill shelf (9.5"H trim kit sides)	
27" Depth SKU	24" Depth SKU
OGB3300	OGB3300-24
OGB3600	OGB3600-24
OGB3900	OGB3900-24
OGB4200	OGB4200-24
OGB4500	OGB4500-24
OGB4800	OGB4800-24
OGB5400	OGB5400-24
OGB5800	OGB5800-24

Note: Tecno-style grill bases 45"+ come with two identical cover plates split in the middle. The timer will remain on the left side when facing the base from the front.

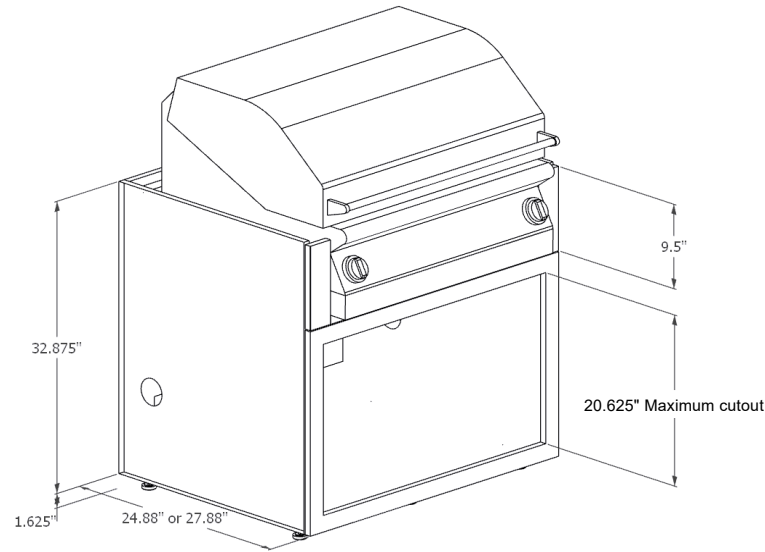


Product Description	
OGBxx00H11: Outdoor Grill Base Deep, No Doors/Drawers, Full-Face Tecno-style Panel, installed on magnets with no hinges. 11"H grill shelf (10.75"H trim kit sides)	
27" Depth SKU	24" Depth SKU
OGB3300H11	OGB3300H11-24
OGB3600H11	OGB3600H11-24
OGB3900H11	OGB3900H11-24
OGB4200H11	OGB4200H11-24
OGB4500H11	OGB4500H11-24
OGB4800H11	OGB4800H11-24
OGB5400H11	OGB5400H11-24
OGB5800H11	OGB5800H11-24

Note: Tecno-style grill bases 45"+ come with two identical cover plates split in the middle. The timer will remain on the left side when facing the base from the front.

# Grill/Large Insert Cabinets - OGFxx00

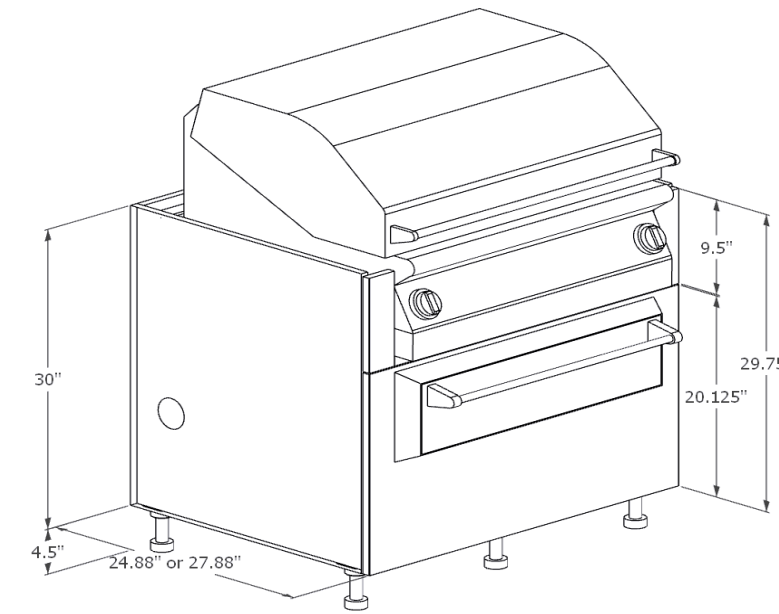
[\\*Return to Table of Contents](#)



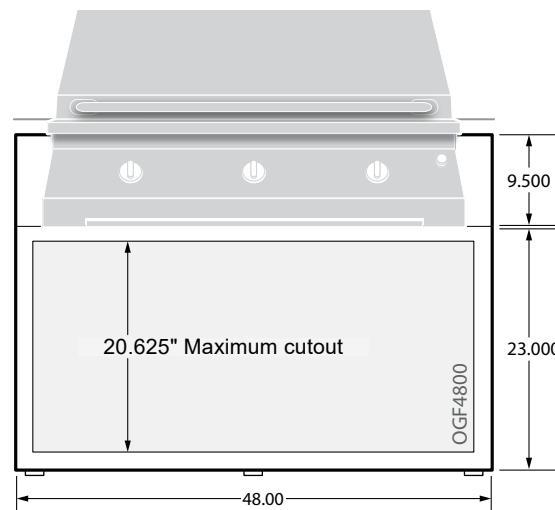
Product Description	
OGFxx00: Outdoor Grill Base for grill and large insert such as refrigerator or dry pantry. 9.75"H grill shelf (9.5"H trim kit sides).	
Max cutout height 20.625". Verify overall appliance dimensions to ensure proper fit.	
27" Depth SKU	24" Depth SKU
OGF3600	OGF3600-24
OGF4200	OGF4200-24
OGF4800	OGF4800-24
OGF5400	OGF5400-24
OGF6200	OGF6200-24

# Grill/Warming Drawer Cabinets - OGWxx00, OGWxx10

[\\*Return to Table of Contents](#)

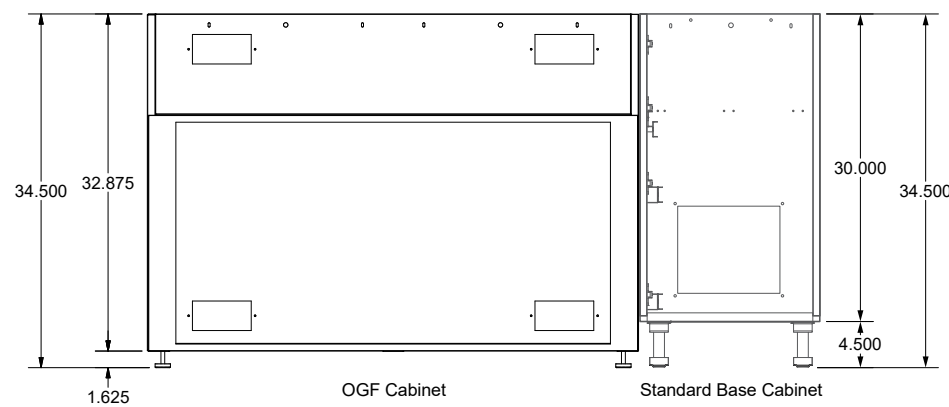
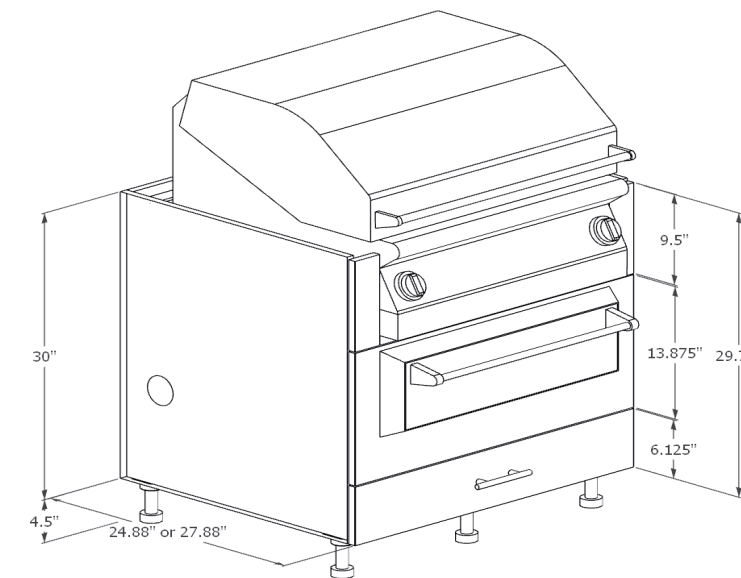


Product Description	
OGWxx00: Outdoor Grill Base for Warming Drawer Insert, No Doors or Drawers. 9.75"H grill shelf (9.5"H trim kit sides)	
*Includes spacers on bottom of cabinet to support appliance. Includes anti-tip bracket. Max cutout height is 17.75". Verify overall appliance dimensions to ensure proper fit.	
27" Depth SKU	24" Depth SKU
OGW3600	N/A
OGW4200	N/A
OGW4800	N/A



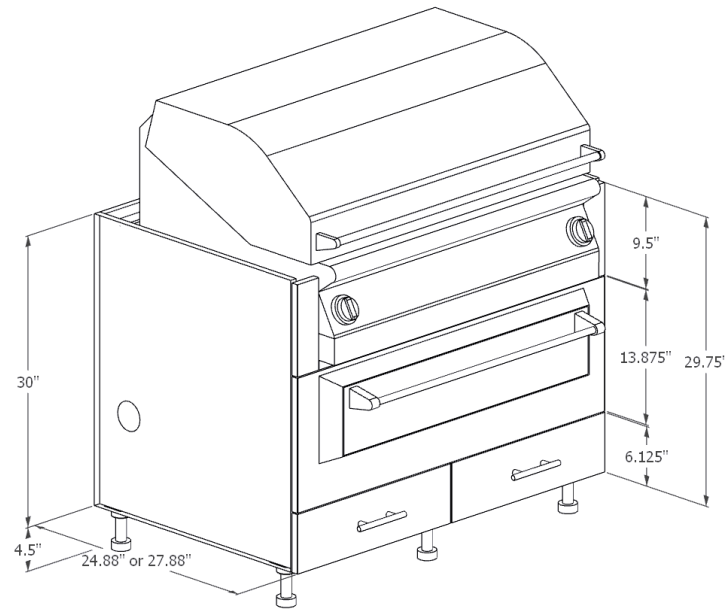
NOTE: OGF bases have a taller cabinet box than standard cabinets, adjustable leveling feet.

Product Description	
OGWxx10: Outdoor Grill Base for Warming Drawer Insert, 1 Drawer. 9.75"H grill shelf (9.5"H trim kit sides)	
*Includes spacers on bottom of cabinet to support appliance. Includes anti-tip bracket. Max cutout height is 10.375". Verify overall appliance dimensions to ensure proper fit.	
27" Depth SKU	24" Depth SKU
OGW3310	N/A
OGW3610	N/A

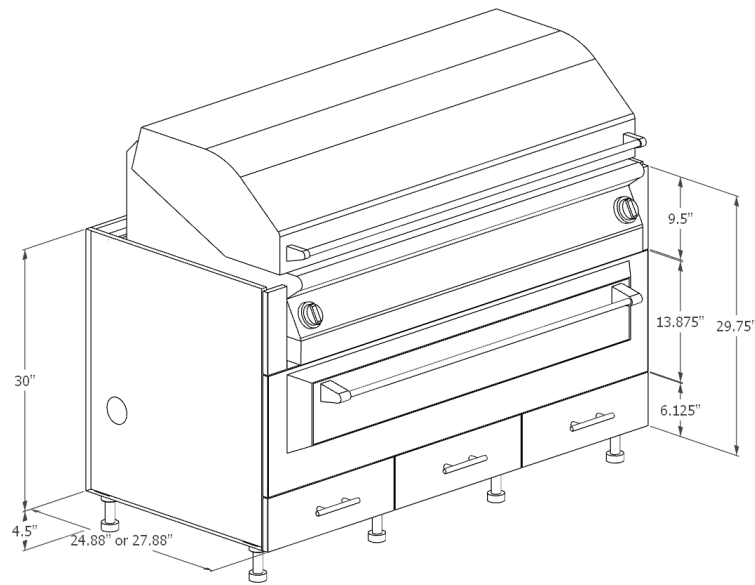


# Grill/Warming Drawer Cabinets - OGWxx20, OGWxx30

[\\*Return to Table of Contents](#)



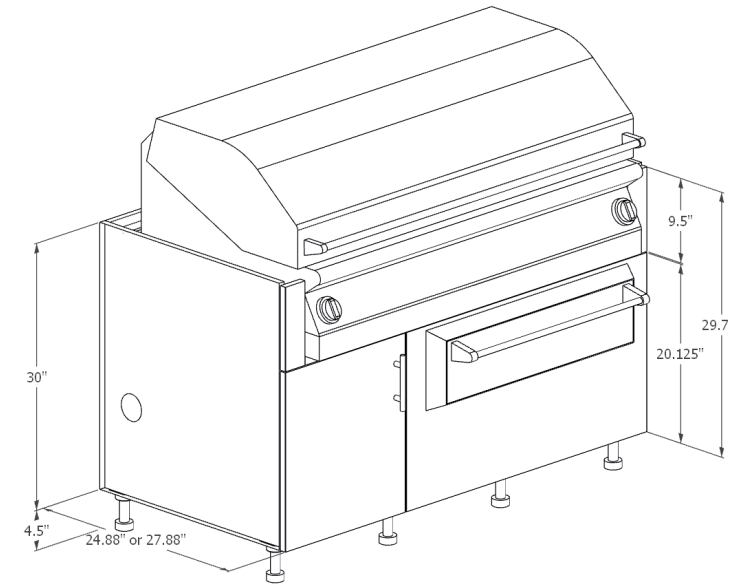
Product Description	
OGWxx20: Outdoor Grill Base for Warming Drawer Insert, 2 Drawers. 9.75"H grill shelf (9.5"H trim kit sides)	
*Includes spacers on bottom of cabinet to support appliance. Includes anti-tip bracket. Max cutout height is 10.375". Verify overall appliance dimensions to ensure proper fit.	
27" Depth SKU	24" Depth SKU
OGW4220	OGW4220-24
OGW4520	OGW4520-24
OGW4820	OGW4820-24
OGW5420	OGW5420-24



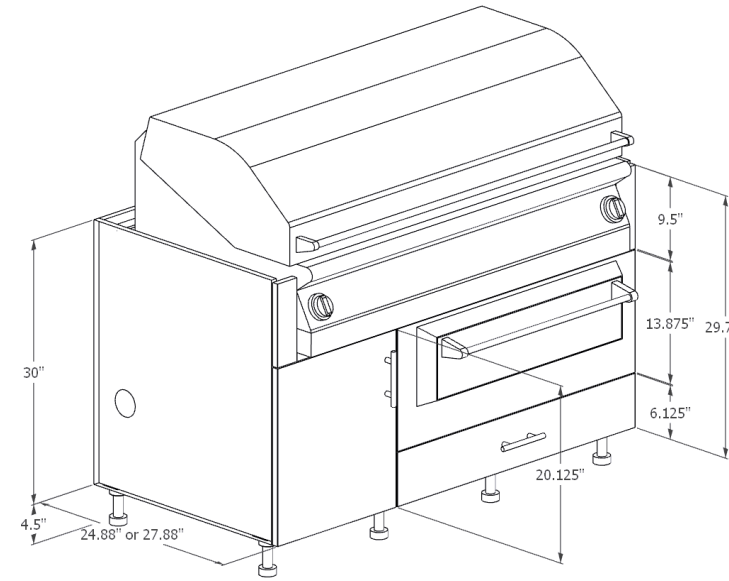
Product Description	
OGWxx30: Outdoor Grill Base for Warming Drawer Insert, 3 Drawers. 9.75"H grill shelf (9.5"H trim kit sides)	
*Includes spacers on bottom of cabinet to support appliance. Includes anti-tip bracket. Max cutout height is 10.375". Verify overall appliance dimensions to ensure proper fit.	
27" Depth SKU	24" Depth SKU
OGW5430	N/A
OGW5830	N/A
OGW6230	N/A

# Grill/Warming Drawer Cabinets - OGWxx01, xx11, xx21

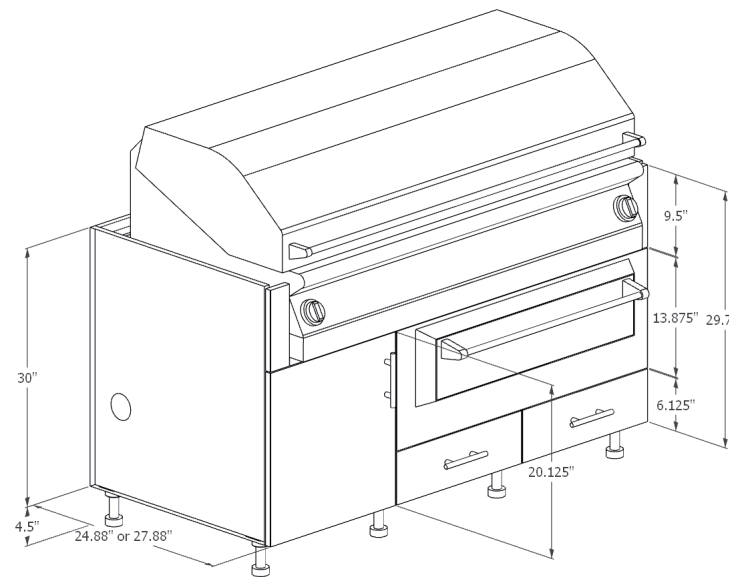
[\\*Return to Table of Contents](#)



Product Description	
OGWxx01: Outdoor Grill Base for Warming Drawer Insert, 1 Door.. 9.75"H grill shelf (9.5"H trim kit sides)	
*Includes spacers on bottom of cabinet to support appliance. Includes anti-tip bracket. Max cutout height is 17.75". Verify overall appliance dimensions to ensure proper fit.	
27" Depth SKU	24" Depth SKU
OGW5401	N/A
OGW5801	N/A
OGW6201	N/A



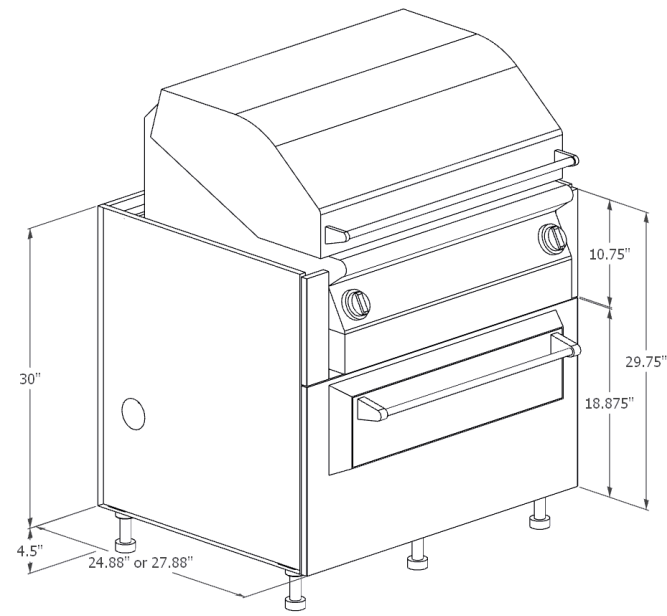
Product Description	
OGWxx11: Outdoor Grill Base for Warming Drawer Insert, 1 Door, 1 Drawer. 9.75"H grill shelf (9.5"H trim kit sides)	
*Includes spacers on bottom of cabinet to support appliance. Includes anti-tip bracket. Verify overall appliance dimensions to ensure proper fit.	
27" Depth SKU	24" Depth SKU
OGW5411	N/A



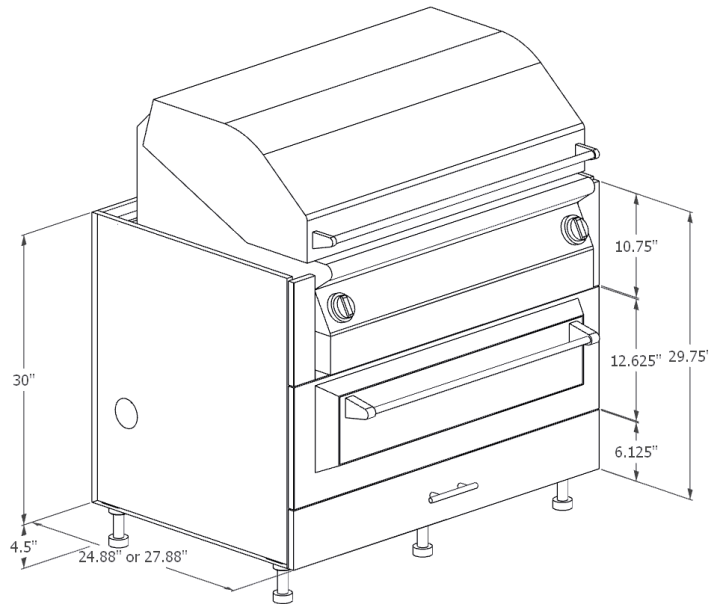
Product Description	
OGWxx21: Outdoor Grill Base, for Warming Drawer Insert, 1 Door, 2 Drawers. 9.75"H grill shelf (9.5"H trim kit sides)	
*Includes spacers on bottom of cabinet to support appliance. Includes anti-tip bracket. Verify overall appliance dimensions to ensure proper fit.	
27" Depth SKU	24" Depth SKU
OGW5421	N/A
OGW5821	N/A
OGW6221	N/A

# Grill/Warming Drawer Cabinets - OGWxx00H11, xx10H11

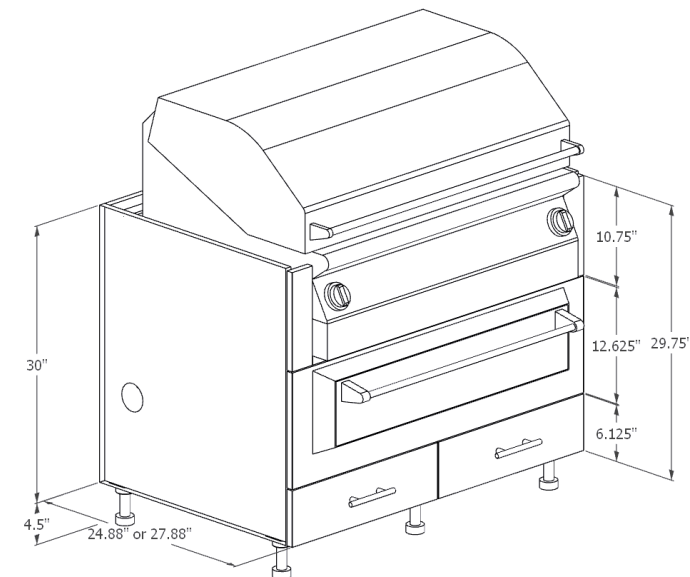
[\\*Return to Table of Contents](#)



Product Description	
OGWxx00D: Outdoor Grill Base, Deep, for Warming Drawer Insert, No Doors or Drawers. 11"H grill shelf (10.75"H trim kit sides)	
*Includes spacers on bottom of cabinet to support appliance. Includes anti-tip bracket. Max cutout height for warming drawer is 16.5". Verify overall appliance dimensions to ensure proper fit.	
27" Depth SKU	24" Depth SKU
OGW3600H11	N/A
OGW3900H11	N/A
OGW4200H11	N/A
OGW4500H11	N/A
OGW4800H11	N/A



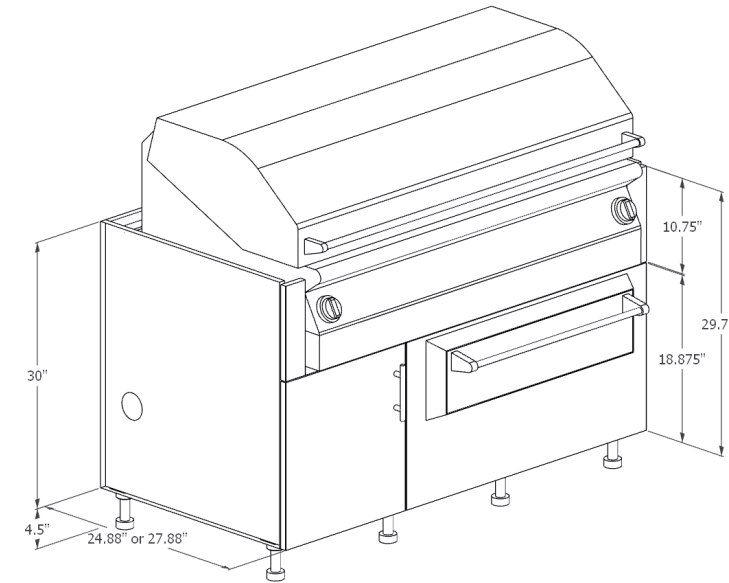
Product Description	
OGWxx10H11: Outdoor Grill Base, Deep, for Warming Drawer Insert, 1 Drawer. 11"H grill shelf (10.75"H trim kit sides)	
*Includes spacers on bottom of cabinet to support appliance. Includes anti-tip bracket. Max cutout height for warming drawer is 9.625". Verify overall appliance dimensions to ensure proper fit.	
27" Depth SKU	24" Depth SKU
OGW3310H11	N/A
OGW3610H11	N/A



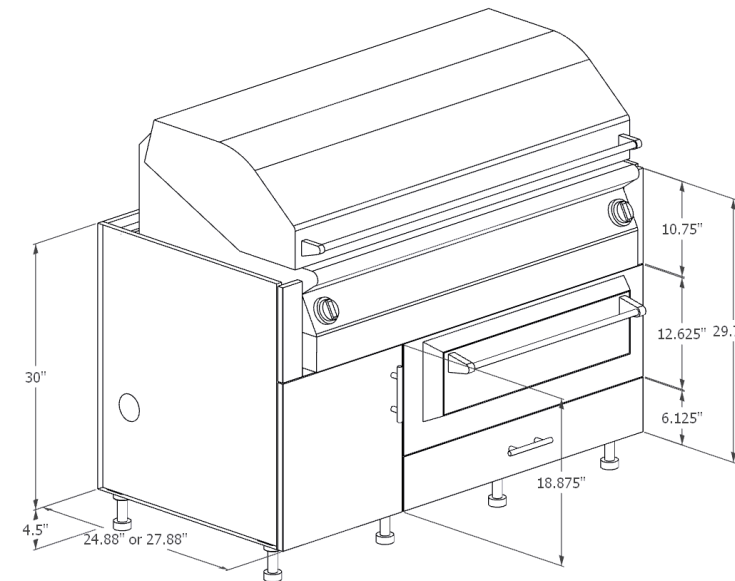
Product Description	
OGWxx20H11: Outdoor Grill Base, Deep, for Warming Drawer Insert, 2 Drawers. 11"H grill shelf (10.75"H trim kit sides)	
*Includes spacers on bottom of cabinet to support appliance. Includes anti-tip bracket. Max cutout height for warming drawer is 9.625". Verify overall appliance dimensions to ensure proper fit.	
27" Depth SKU	24" Depth SKU
OGW4220H11	N/A
OGW4820H11	N/A
OGW5420H11	N/A

# Grill/Warming Drawer Cabinets - OGWxx01H11, xx11H11, xx21H11

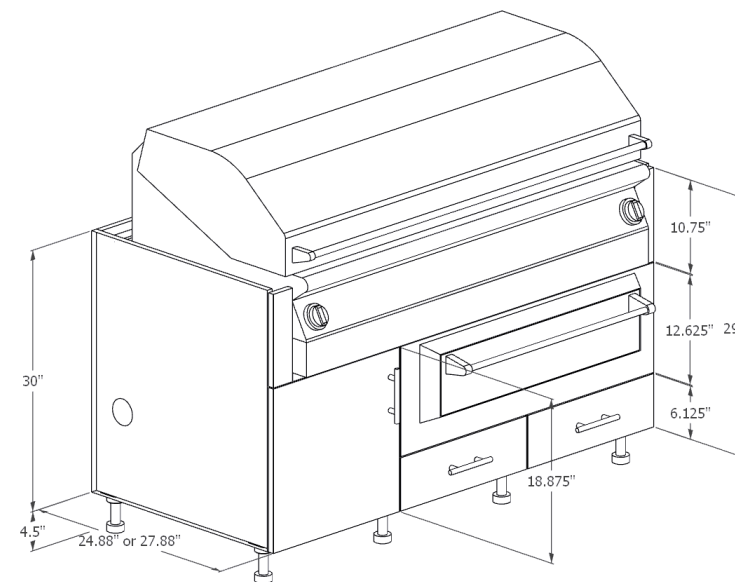
[\\*Return to Table of Contents](#)



Product Description	
OGWxx01H11: Outdoor Grill Base, Deep, for Warming Drawer Insert, 1 Door. 11"H grill shelf (10.75"H trim kit sides)	
*Includes spacers on bottom of cabinet to support appliance. Includes anti-tip bracket. Max cutout height for warming drawer is 16.5". Verify overall appliance dimensions to ensure proper fit.	
27" Depth SKU	24" Depth SKU
OGW5401H11	N/A
OGW5801H11	N/A
OGW6201H11	N/A



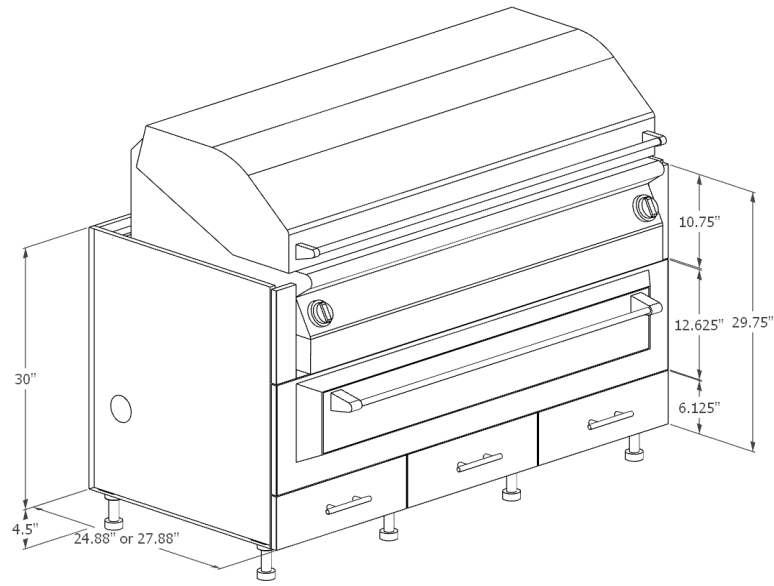
Product Description	
OGWxx11H11: Outdoor Grill Base, Deep, for Warming Drawer Insert, 1 Door, 1 Drawer. 11"H grill shelf (10.75"H trim kit sides)	
*Includes spacers on bottom of cabinet to support appliance. Includes anti-tip bracket. Verify overall appliance dimensions to ensure proper fit.	
27" Depth SKU	24" Depth SKU
OGW5411H11	N/A



Product Description	
OGWxx21H11: Outdoor Grill Base, Deep, for Warming Drawer Insert, 1 Door, 2 Drawers. 11"H grill shelf (10.75"H trim kit sides)	
*Includes spacers on bottom of cabinet to support appliance. Includes anti-tip bracket. Verify overall appliance dimensions to ensure proper fit.	
27" Depth SKU	24" Depth SKU
OGW5421H11	N/A
OGW5821H11	N/A
OGW6221H11	N/A

## Grill/Warming Drawer Cabinets - OGWxx30H11

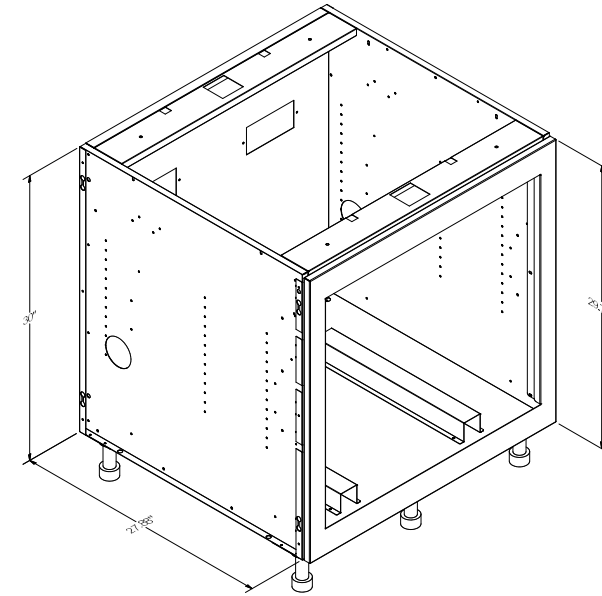
[\\*Return to Table of Contents](#)



Product Description	
OGWxx30H11: Outdoor Grill Base, Deep, for Warming Drawer Insert, 3 Drawers. 11"H grill shelf (10.75"H trim kit sides)	
*Includes spacers on bottom of cabinet to support appliance. Includes anti-tip bracket. Max cutout height for warming drawer is 9.625". Verify overall appliance dimensions to ensure proper fit.	
27" Depth SKU	24" Depth SKU
OGW5430H11	N/A
OGW5830H11	N/A
OGW6230H11	N/A

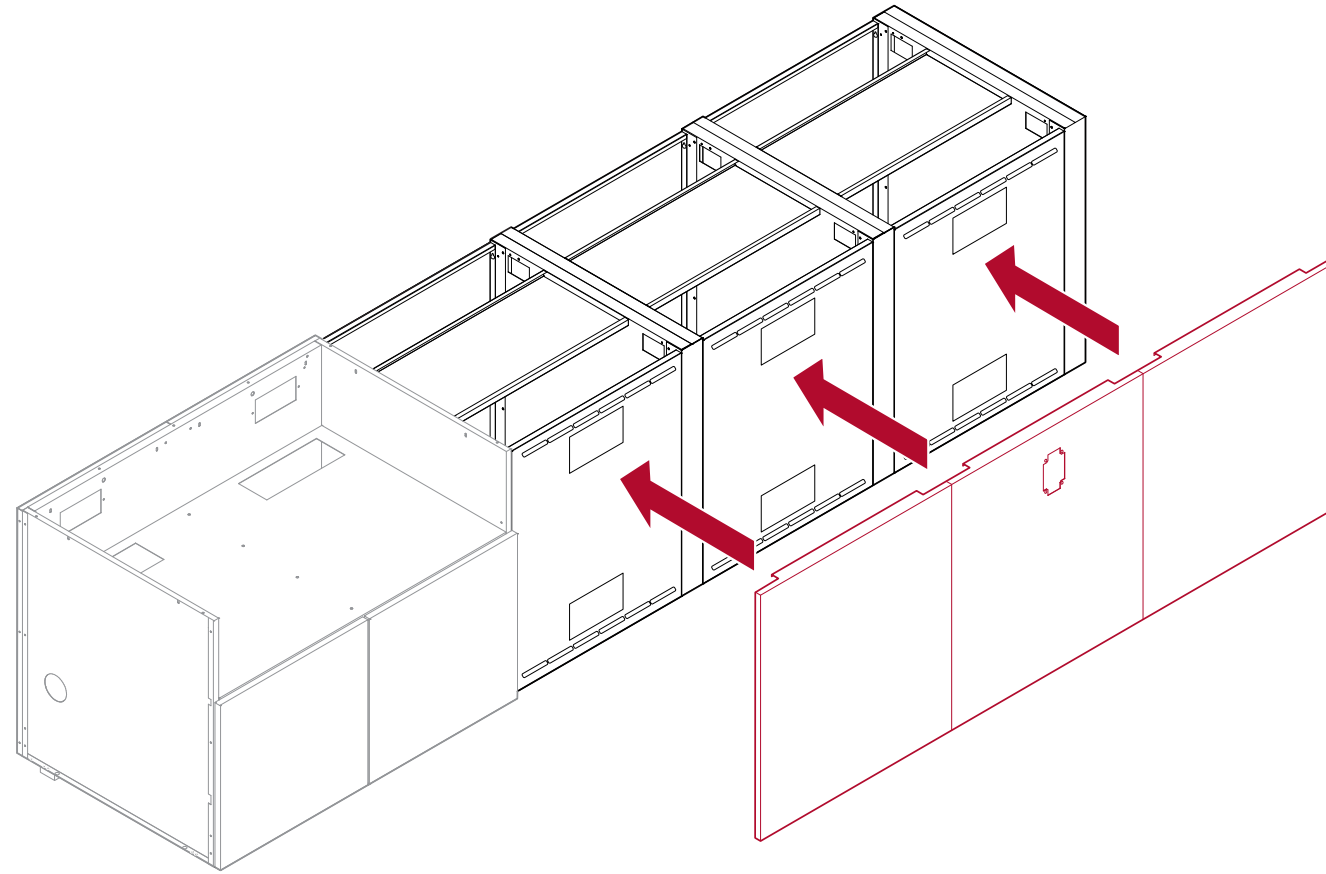
## Oven Base Cabinets - OOCxx00

[\\*Return to Table of Contents](#)



Product Description	
OOCxx00: 30"W x 27"D Base Oven Cabinet, full height oven front. Must specify built-in oven.	
*Includes spacers on bottom of cabinet to support appliance. Includes anti-tip bracket.	
27" Depth SKU	24" Depth SKU
OOC3000	OOC3000-24
OOC3600	OOC3600-24

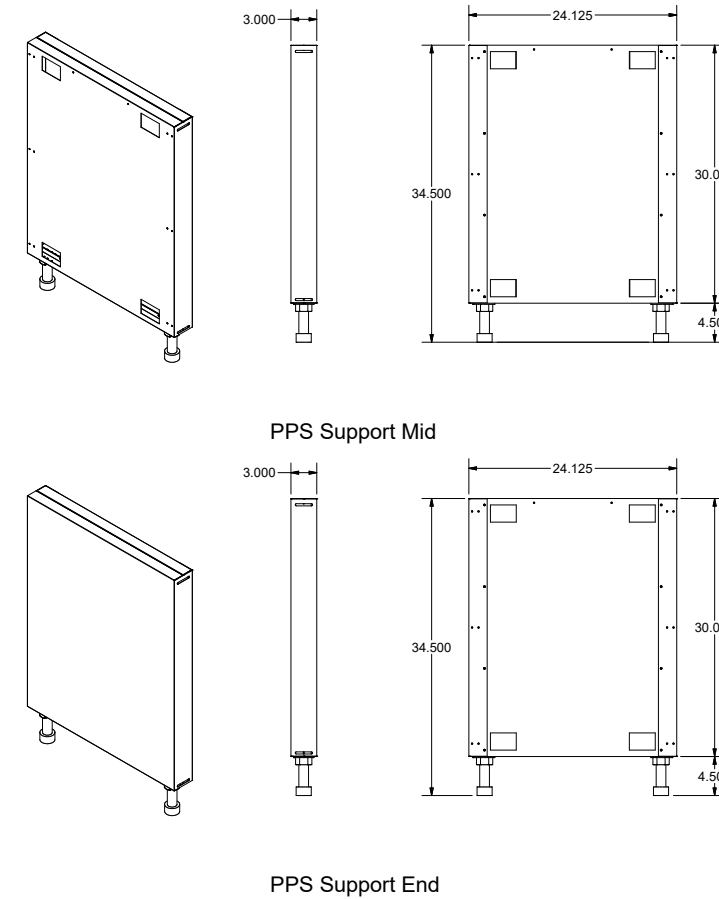




### Product Description

PPS – Post and Panel System: Using a combination of supports, spacers, and panels you can create countertop space without the additional cost of doors or drawers. These parts assemble to be stand-alone units or connect with base cabinets. Ideal for multi-family spaces, the supports can also be brought down to ADA compliant height with our available ADA legs.

36”H versions of all PPS parts are available as well, with an extra option of 18”D. 36”H PPS parts are designated with a -TALL at the end of the SKU.

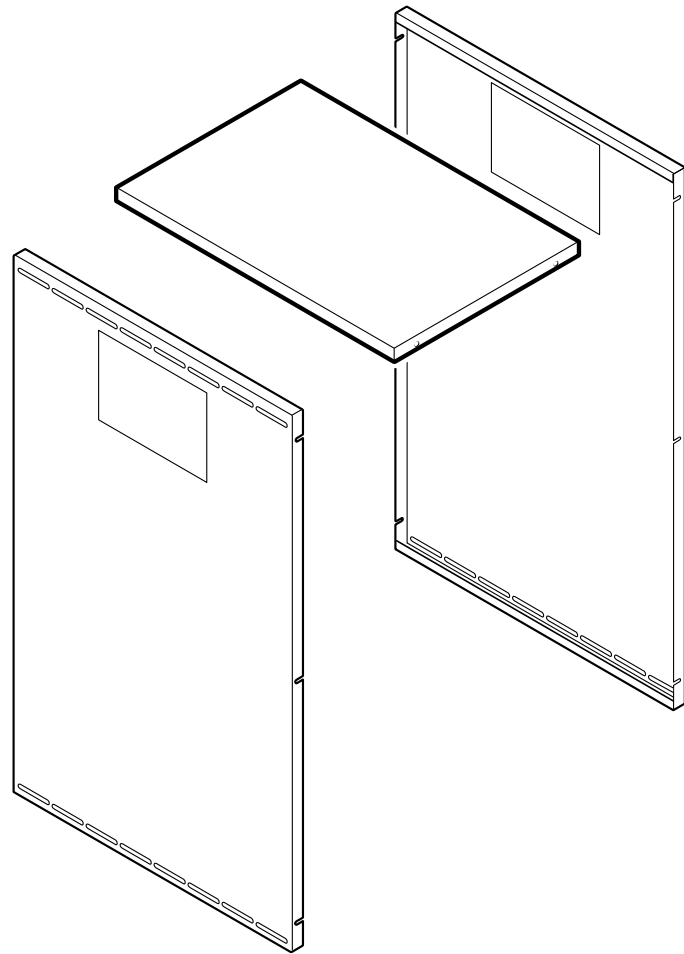


Note: If PPS PANELS are powder coated, the PPS SUPPORT MID and END parts will be powder coated as well.

18" Depth SKU	Description
PPS SUPPORT MID 18	3"W x 18"D x 30"H Middle supports (unfinished, hidden from view)
PPS SUPPORT MID 18-TALL	3"W x 18"D x 36"H Middle supports (unfinished, hidden from view)
PPS SUPPORT END 18-TALL	3"W x 18"D x 36"H End supports (one finished side for ending a run)
24" Depth SKU	Description
PPS SUPPORT MID 24	3"W x 24"D x 30"H Middle supports (unfinished, hidden from view)
PPS SUPPORT END 24	3"W x 24"D x 30"H End supports (one finished side for ending a run)
PPS SUPPORT MID 24-TALL	3"W x 24"D x 36"H Middle supports (unfinished, hidden from view)
PPS SUPPORT END 24-TALL	3"W x 24"D x 36"H End supports (one finished side for ending a run)
27" Depth SKU	Description
PPS SUPPORT MID 27	3"W x 27"D x 30"H Middle supports (unfinished, hidden from view)
PPS SUPPORT END 27	3"W x 27"D x 30"H End supports (one finished side for ending a run)
PPS SUPPORT MID 27-TALL	3"W x 27"D x 36"H Middle supports (unfinished, hidden from view)
PPS SUPPORT END 27-TALL	3"W x 27"D x 36"H End supports (one finished side for ending a run)

# Post and Panel System - PPS SPACERS & PANELS

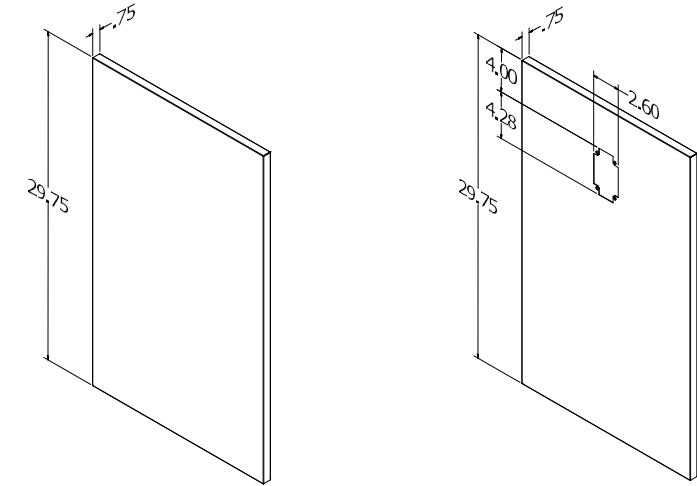
[\\*Return to Table of Contents](#)



Product Description	
Spacers consist of 3 panels that connect supports to each other, support to cabinet, or cabinets together.	
*NOTE: If PPS PANELS are powder coated, the PPS SPACER parts will be powder coated as well.	
Width	Spacer SKU
6"W	PPS SPACER 6
	PPS SPACER 6-TALL
9"W	PPS SPACER 9
	PPS SPACER 9-TALL
12"W	PPS SPACER 12
	PPS SPACER 12-TALL
15"W	PPS SPACER 15
	PPS SPACER 15-TALL
18"W	PPS SPACER 18
	PPS SPACER 18-TALL
21"W	PPS SPACER 21
	PPS SPACER 21-TALL
24"W	PPS SPACER 24
	PPS SPACER 24-TALL
27"W	PPS SPACER 27
	PPS SPACER 27-TALL
30"W	PPS SPACER 30
	PPS SPACER 30-TALL
33"W	PPS SPACER 33
	PPS SPACER 33-TALL
36"W	PPS SPACER 36
	PPS SPACER 36-TALL
39"W	PPS SPACER 39
	PPS SPACER 39-TALL
XX"W	PPS SPACER XX (specify)
	PPS SPACER XX-TALL
42"W	PPS SPACER 42
	PPS SPACER 42-TALL

# Post and Panel System - PPS PANELS

[\\*Return to Table of Contents](#)



(PPS PANELS Cont.)

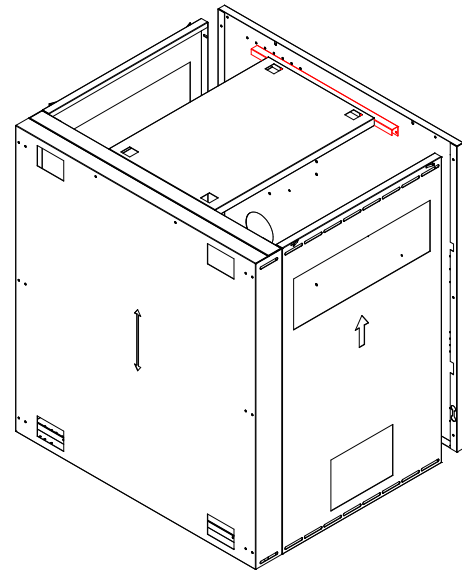
Product Description		
Finished panels hang over the spacers and supports for an even look, so specify panels based on total width of span. The finished panels are 3/4" thick and sit flush with door/drawer fronts on cabinets as well as back panels if used.		
Width	Panel SKU	Tall Panel SKU
9"W	PPS PANEL 9	PPS PANEL 9-TALL
	PPS PANEL 9 ELEC	PPS PANEL 9-TALL ELEC
	PPS PANEL 9 KW	PPS PANEL 9 KW-TALL
	PPS PANEL 9 VN	
12"W	PPS PANEL 12	PPS PANEL 12 TALL
	PPS PANEL 12 ELEC	PPS PANEL 12-TALL ELEC
	PPS PANEL 12 KW	PPS PANEL 12 KW-TALL
	PPS PANEL 12 VN	
15"W	PPS PANEL 15	PPS PANEL 15-TALL
	PPS PANEL 15 ELEC	PPS PANEL 15-TALL ELEC
	PPS PANEL 15 KW	PPS PANEL 15 KW-TALL
	PPS PANEL 15 VN	
18"W	PPS PANEL 18	PPS PANEL 18-TALL
	PPS PANEL 18 ELEC	PPS PANEL 18-TALL ELEC
	PPS PANEL 18 KW	PPS PANEL 18 KW-TALL
	PPS PANEL 18 VN	
21"W	PPS PANEL 21	PPS PANEL 21-TALL
	PPS PANEL 21 ELEC	PPS PANEL 21-TALL ELEC
	PPS PANEL 21 KW	PPS PANEL 21 KW-TALL
	PPS PANEL 21 VN	
24"W	PPS PANEL 24	PPS PANEL 24-TALL
	PPS PANEL 24 ELEC	PPS PANEL 24-TALL ELEC
	PPS PANEL 24 KW	PPS PANEL 24 KW-TALL
	PPS PANEL 24 VN	
27"W	PPS PANEL 27	PPS PANEL 27-TALL
	PPS PANEL 27 ELEC	PPS PANEL 27-TALL ELEC
	PPS PANEL 27 KW	PPS PANEL 27 KW-TALL
	PPS PANEL 27 VN	

Width	Panel SKU	Tall Panel SKU
30"W	PPS PANEL 30	PPS PANEL 30-TALL
	PPS PANEL 30 ELEC	PPS PANEL 30-TALL ELEC
	PPS PANEL 30 KW	PPS PANEL 30 KW-TALL
	PPS PANEL 30 VN	
33"W	PPS PANEL 33	PPS PANEL 33-TALL
	PPS PANEL 33 ELEC	PPS PANEL 33-TALL ELEC
	PPS PANEL 33 KW	PPS PANEL 33 KW-TALL
	PPS PANEL 33 VN	
36"W	PPS PANEL 36	PPS PANEL 36-TALL
	PPS PANEL 36 ELEC	PPS PANEL 36-TALL ELEC
	PPS PANEL 36 KW	PPS PANEL 36 KW-TALL
	PPS PANEL 36 VN	
39"W	PPS PANEL 39	PPS PANEL 39-TALL
	PPS PANEL 39 ELEC	PPS PANEL 39-TALL ELEC
42"W	PPS PANEL 42	PPS PANEL 42-TALL
	PPS PANEL 42 ELEC	PPS PANEL 42-TALL ELEC
45"W	PPS PANEL 45	PPS PANEL 45-TALL
	PPS PANEL 45 ELEC	PPS PANEL 45-TALL ELEC
48"W	PPS PANEL 48	PPS PANEL 48-TALL
	PPS PANEL 48 ELEC	PPS PANEL 48-TALL ELEC

## Post and Panel System - PPS CABINET CONNECTOR

[\\*Return to Table of Contents](#)



### Product Description

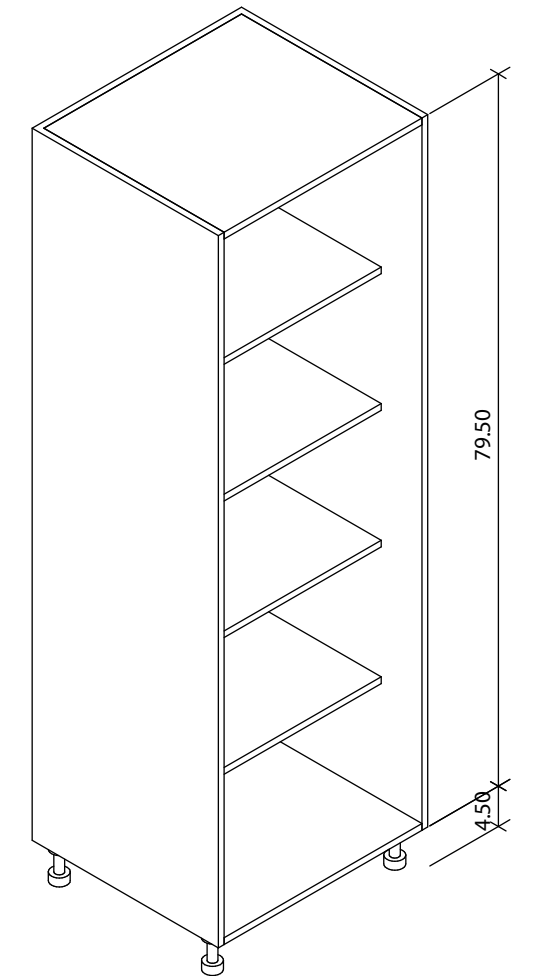
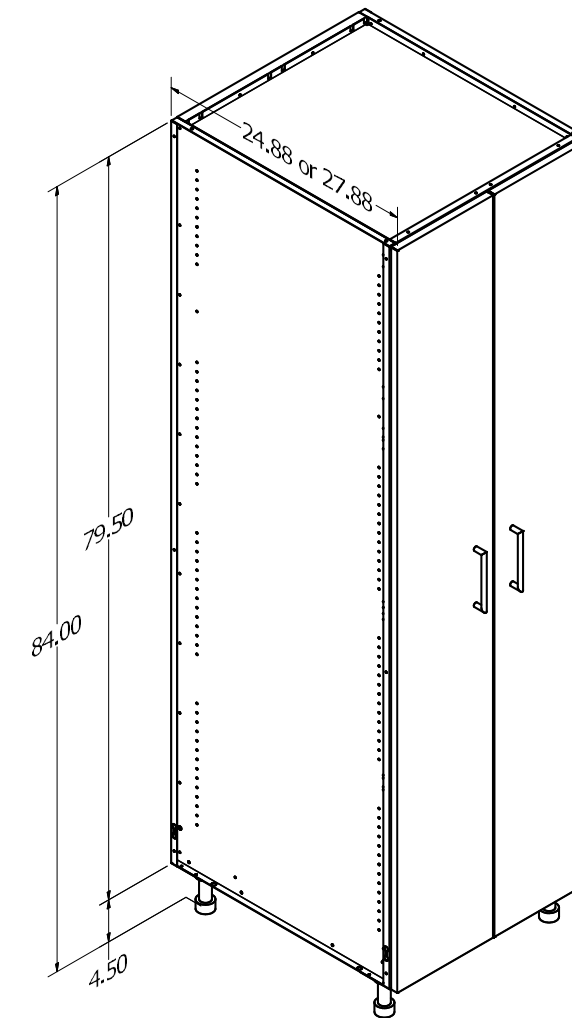
PPS CABINET CONNECTOR: Required when a PPS Spacer is attaching to a cabinet. One connector needed PER side when installed between two base cabinets.

Note: This part is not needed for connecting to ADA Sink Bases. Those cabinets have pre-drilled holes in the sides for accepting PPS Spacers.

## Tall Storage Cabinets - TBxxxz

[\\*Return to Table of Contents](#)

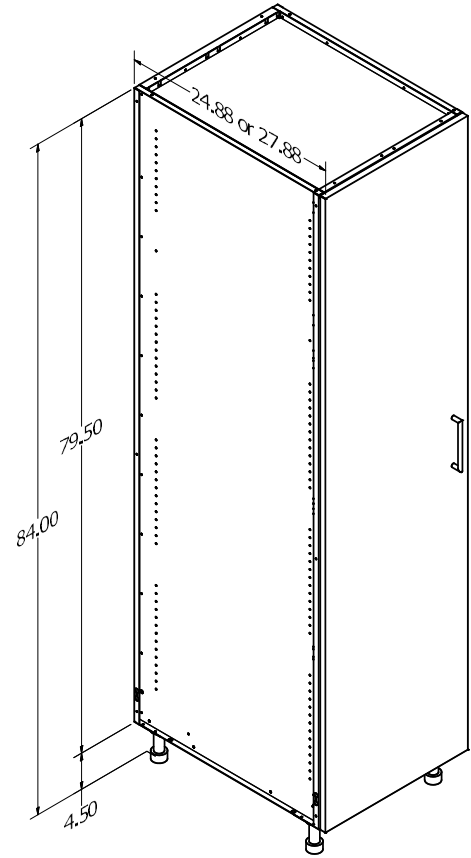
- Available in heights of 84", 90", and 96". The height includes the cabinet box and 4.5"H adjustable leg.
- 24"D and 27"D cabinet boxes only, 24.88"D and 27.88" with door fronts
- 84"H tall bases 18" or 21"W are available with a single Full-Height Door. 84"H tall bases 24"W and wider are available with 2 Full-Height Doors.
- 18"W and 21"W tall bases have 2 Doors (1 upper and 1 lower) at 90"H and 96"H, and there is an option for 2 doors at 84"H as well. 24"W and wider have 4 doors.
- Cabinets come standard with 4.50" adjustable legs.
- Black anodized toe kick may be ordered and cut on-site.
- Comes with 5 adjustable shelves (full height door) or 4 adjustable shelves (door at top).
- Flush and 3/4" thick finished side panels available.
- Tall base cabinets need to be secured to a back wall in the field.
- Note that default handle placement for lower doors is at the mid-point of the door's height.



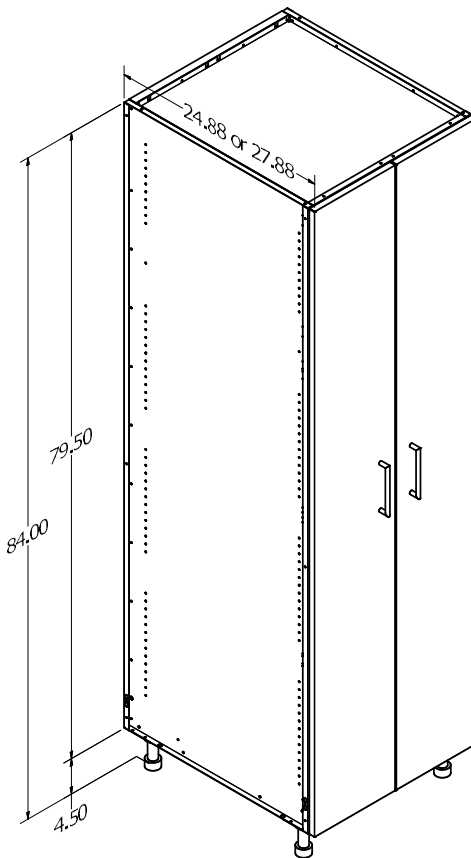
Door removed to show shelving

# Tall Storage Cabinets - Full-Height Doors: TBxx84-24-FHD

[\\*Return to Table of Contents](#)



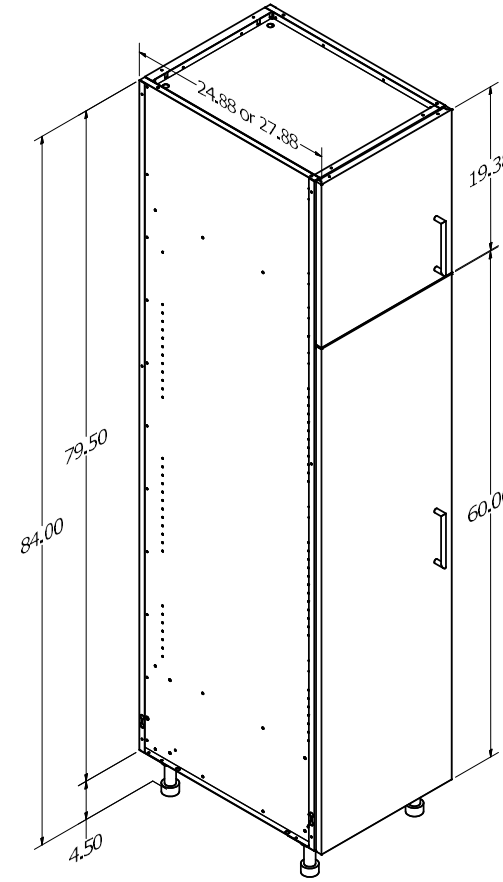
Product Description	
TBxx84-FHD: Tall base, 24" or 27" depth, 1 Full-Height Door. Hampton slab door only.	
24" Depth SKU	27" Depth SKU
TB1884-24-FHD-LH	TB1884-FHD-LH
TB1884-24-FHD-RH	TB1884-FHD-RH
TB2184-24-FHD-LH	TB2184-FHD-LH
TB2184-24-FHD-RH	TB2184-FHD-RH



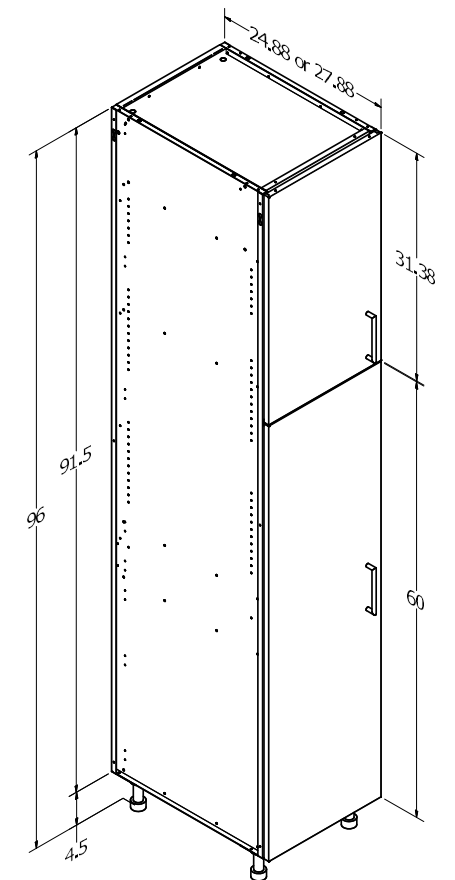
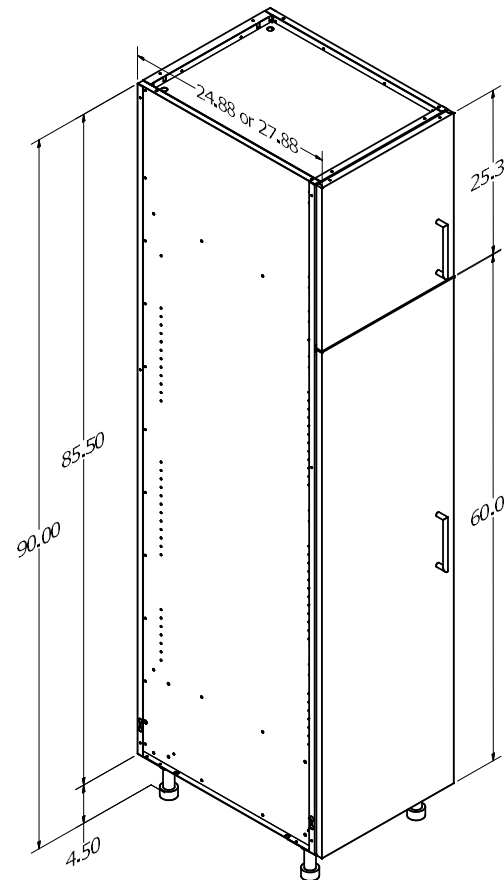
Product Description	
TBxx84-FHD: Tall base, 24" or 27" depth, 2 Full-Height Doors. Hampton slab doors only.	
24" Depth SKU	27" Depth SKU
TB2484-24-FHD	TB2484-FHD
TB2784-24-FHD	TB2784-FHD
TB3084-24-FHD	TB3084-FHD
TB3384-24-FHD	TB3384-FHD
TB3684-24-FHD	TB3684-FHD

# Tall Storage Cabinets - TBxxzz-24: 2 doors

[\\*Return to Table of Contents](#)

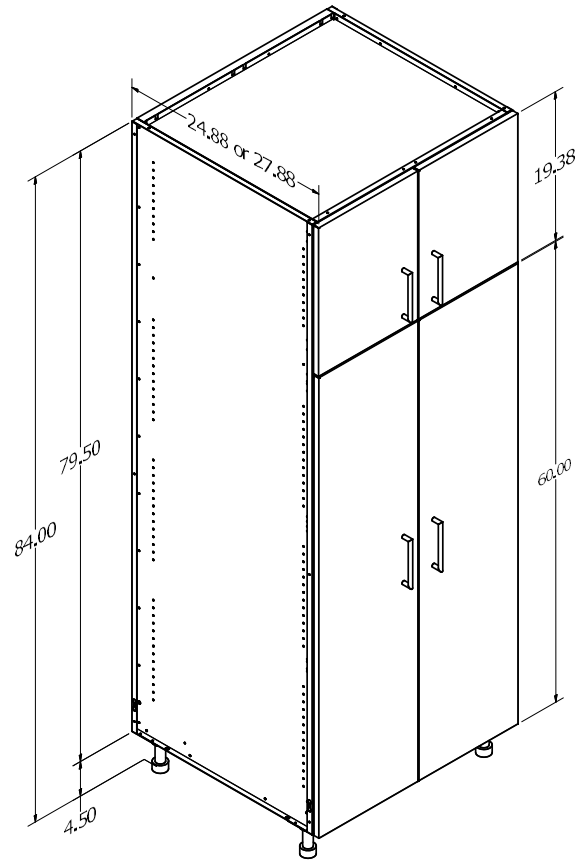


Product Description	
TB18xx, TB21xx: Tall base, 24" depth, 2 Doors, 1 Upper Door, 1 Lower Door. Hampton slab or Key West doors only.	
24" Depth SKU	
TB1884-24-LH	TB1884-24-RH
TB1890-24-LH	TB1890-24-RH
TB1896-24-LH	TB1896-24-RH
TB2184-24-LH	TB2184-24-RH
TB2190-24-LH	TB2190-24-RH
TB2196-24-LH	TB2196-24-RH



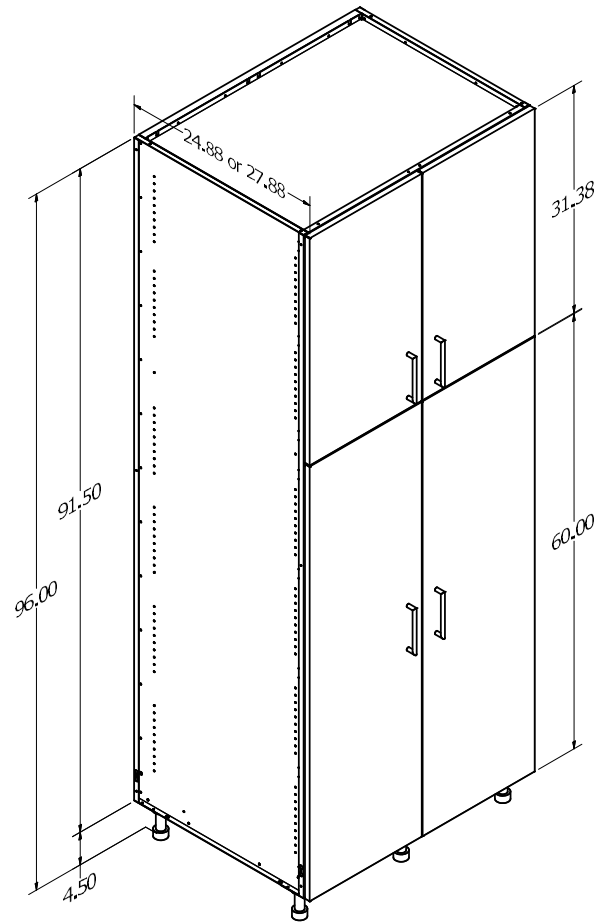
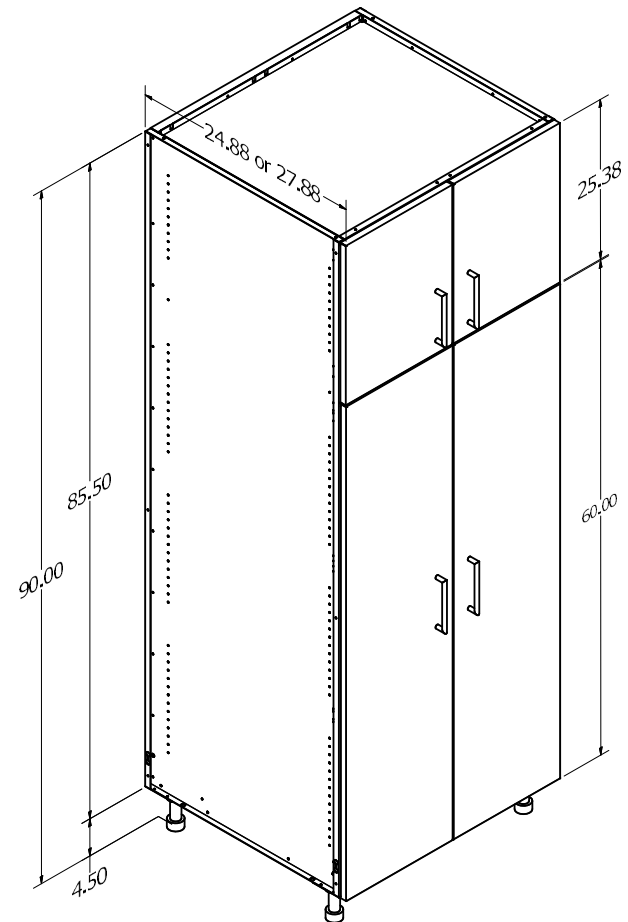
## Tall Storage Cabinets - TBxxzz-24: 4 doors

[\\*Return to Table of Contents](#)



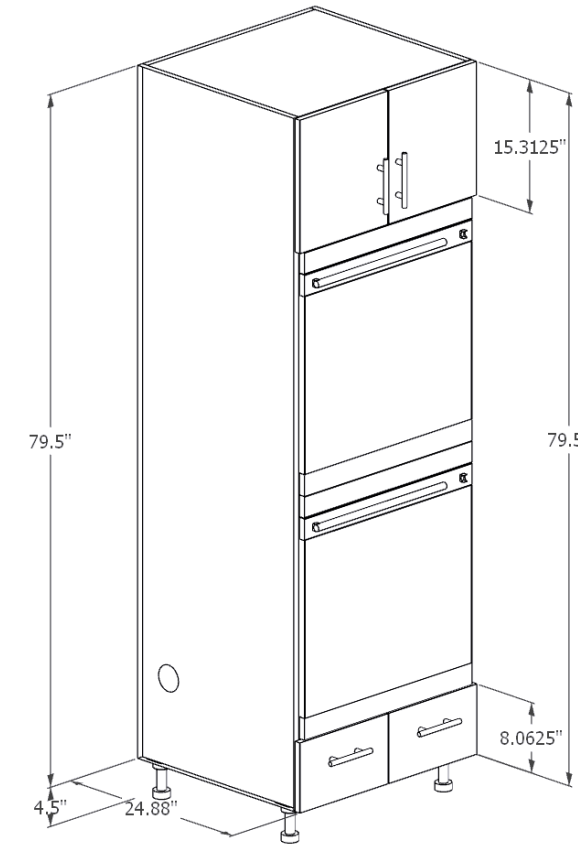
Product Description		
TBxxyy: Tall base, 24" depth, 4 Doors, 2 Upper Doors, 2 Lower Doors. Hampton slab or Key West doors only.		
84" Tall	90" Tall	96" Tall
TB2484-24	TB2490-24	TB2496-24
TB2784-24	TB2790-24	TB2796-24
TB3084-24	TB3090-24	TB3096-24
TB3384-24	TB3390-24	TB3396-24
TB3684-24	TB3690-24	TB3696-24

Product Description		
TBxxyy: Tall base, 27" depth, 4 Doors, 2 Upper Doors, 2 Lower Doors. Hampton slab or Key West doors only.		
84" Tall	90" Tall	96" Tall
TB2484	TB2490	TB2496
TB2784	TB2790	TB2796
TB3084	TB3090	TB3096
TB3384	TB3390	TB3396
TB3684	TB3690	TB3696



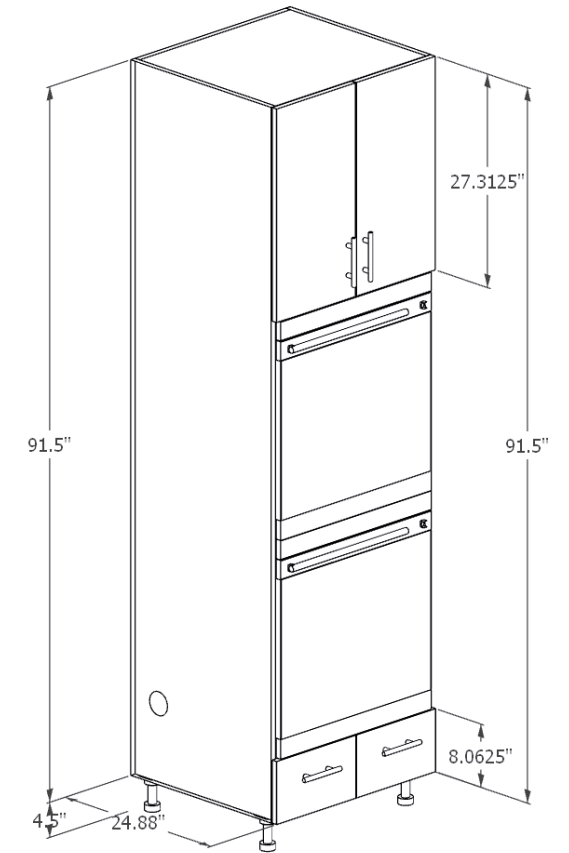
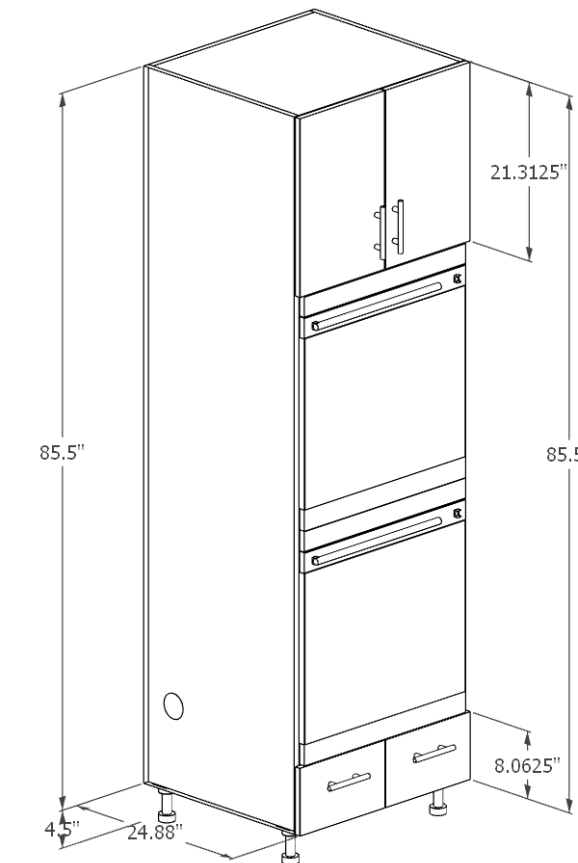
## Tall Oven Cabinets - TTxxzz-24: 2 Doors, 2 Drawers

[\\*Return to Table of Contents](#)



Product Description		
TTxxyy: Tall Oven Cabinet, 24" depth, 2 Upper Doors, 2 Lower Drawers. Specify ovens being used.		
84" Tall	90" Tall	96" Tall
TT2784-24	TT2790-24	TT2796-24
TT3084-24	TT3090-24	TT3096-24
TT3384-24	TT3390-24	TT3396-24
TT3684-24	TT3690-24	TT3696-24

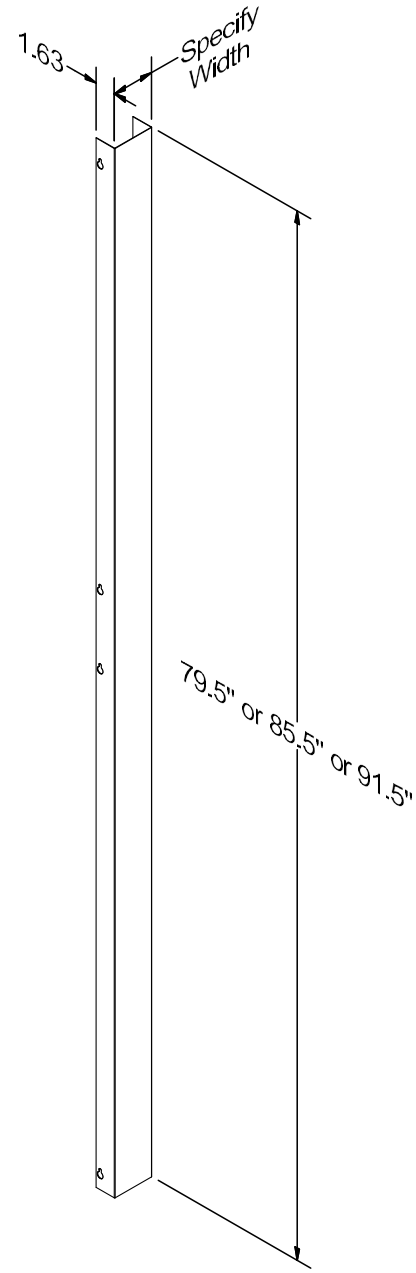
Product Description		
TTxxyy: Tall Oven Cabinet, 27" depth, 2 Upper Doors, 2 Lower Drawers. Specify ovens being used.		
84" Tall	90" Tall	96" Tall
TT3384	TT3390	TT3396
TT3684	TT3690	TT3696





# Tall Cabinet Accessories - Fillers: TFLF

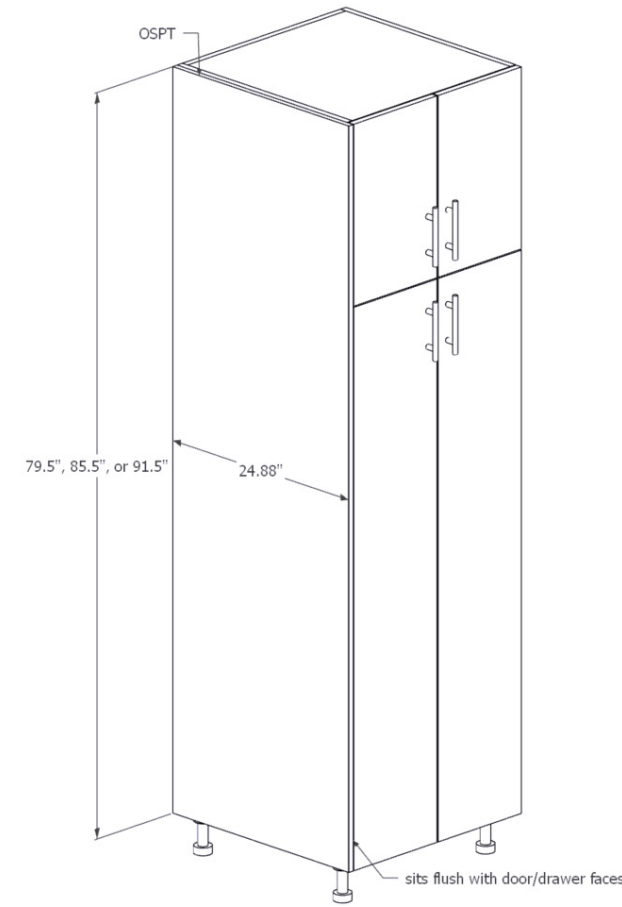
[\\*Return to Table of Contents](#)



Product Description	
TFLF: Tall base cabinet front filler for use with tall storage bases and tall oven bases. Sits flush with door/drawer faces. 1"W minimum, available in 1/8" increments as needed. Specify width and tall base height.	
Example SKUs:	
TFLF 2.88 84	
TFLF 4.50 96	
27" Depth SKU	Description
TFLF03XX	3"W Tall Front Filler. Specify 84", 90", or 96" height.
TFLF04XX	4"W Tall Front Filler. Specify 84", 90", or 96" height.
TFLFXXXX	Custom width Tall Front Filler. Engineering charges may apply. Contact Sales for more information. XX" Wide x XX" High

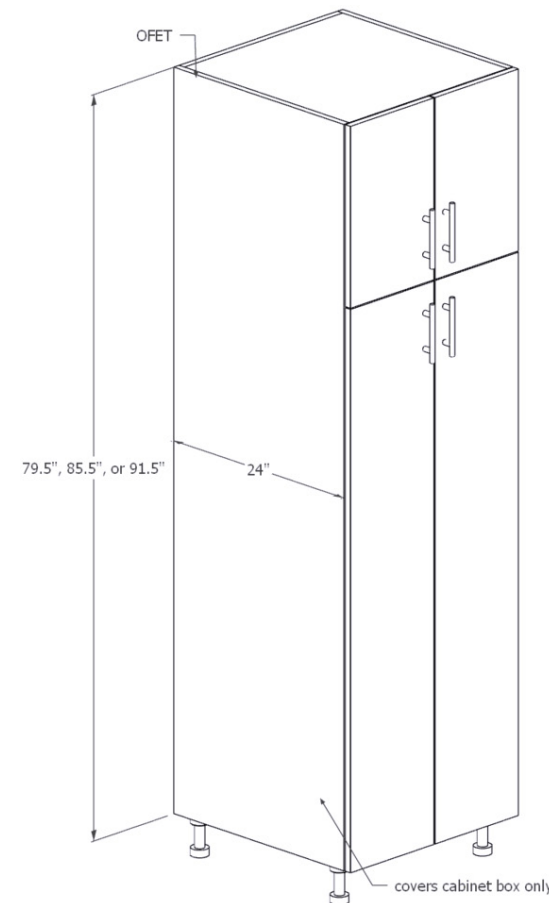
# Tall Cabinet Accessories - Side Panels: OSPT xxzzL/R

[\\*Return to Table of Contents](#)



Product Description		
OSPT: 3/4" Thick tall base side panel for tall storage bases and tall oven bases, 24.88"W x XX"H, sits flush with door/drawer faces, specify tall base height and side.		
SKU		
84"H Cabinet	90"H Cabinet	96"H Cabinet
OSPT 2484L	OSPT 2490L	OSPT 2496L
OSPT 2484R	OSPT 2490R	OSPT 2496R

Product Description		
OSPT: 3/4" Thick tall base side panel for tall storage bases and tall oven bases, 27.88"W x XX"H, sits flush with door/drawer faces, specify tall base height and side.		
SKU		
84"H Cabinet	90"H Cabinet	96"H Cabinet
OSPT 2784L	OSPT 2790L	OSPT 2796L
OSPT 2784R	OSPT 2790R	OSPT 2796R



Product Description		
OFET: Tall base flush side panel for tall storage bases and tall oven bases, 24"W x XX"H, sits flush to cabinet side, specify tall base height and side.		
SKU		
84"H Cabinet	90"H Cabinet	96"H Cabinet
OFET 2484L	OFET 2490L	OFET 2496L
OFET 2484R	OFET 2490R	OFET 2496R

Product Description		
OFET: Tall base flush side panel for tall storage bases and tall oven bases, 27"W x XX"H, sits flush to cabinet side, specify tall base height and side.		
SKU		
84"H Cabinet	90"H Cabinet	96"H Cabinet
OFET 2784L	OFET 2790L	OFET 2796L
OFET 2784R	OFET 2790R	OFET 2796R

# Cabinet Accessories: Nomenclature

[\\*Return to Table of Contents](#)

All Denver Accessories use nomenclature designed to help you find the desired part.

Cabinet Accessory nomenclature example:

OSP 27.88L: Left Side Panel 27.88" wide x 30"H, 3/4" thick (exact width of 27" cabinets).

<b>O</b>	<b>SP</b>	<b>27.88</b>	<b>L</b>	<b>or</b>	<b>*Part specific suffix*</b>
<b>Outside</b>	<b>Style</b>	<b>Width</b>	<b>Side</b>		<b>Denotes vents, pullout shelf, etc.</b>

Category

Accessory Style

Width (in inches)

Left or Right

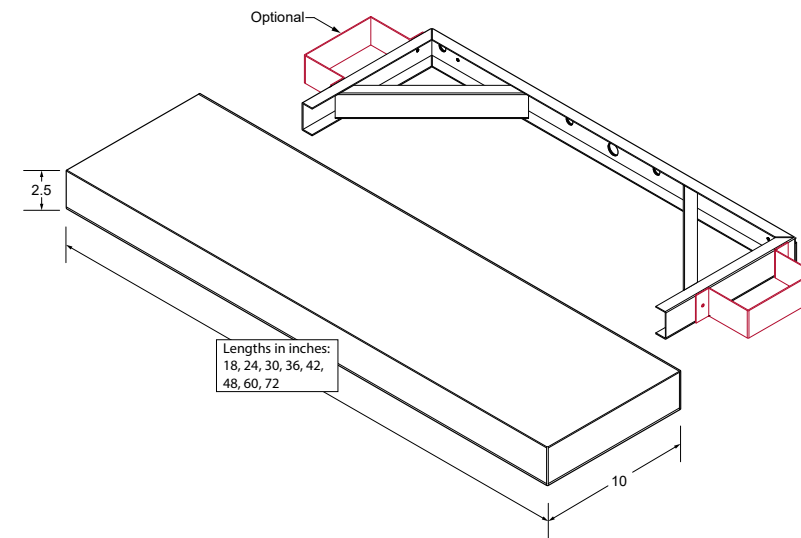
Ex: OBPV

Ex: OSHxxxP

Part Name	Description	Part Usage Summary
<b>FSxxB</b>	Floating Shelf	Wall mounted shelf with floating appearance to match cabinet fronts
<b>OAF90 xx</b>	Angled Front Filler 90 degrees	Front corner filler to attach two sides of L-shaped run
<b>OAR90 xx</b>	Angled Rear Filler 90 degrees	Rear corner filler with post, fills void and provides countertop support
<b>OBPVGFxx</b>	Back Panel Vented Galvanized	Applied to cabinet back as attachment point for Equal Back Panels
<b>OBPVxx</b>	Back Panel Vented	Finishes back of appliance cabinet, .75" depth
<b>OBPxx</b>	Back Panel (Non-vented)	Finishes back of non-appliance cabinet, .75" depth
<b>OBX</b>	Box Column	Used between two undercounter appliances as countertop support
<b>OBXF</b>	Box Column Filler	Skin that connects over front and back of OBX to increase width
<b>OCPs</b>	Countertop Pier Support	Used to create a bar area behind cabinets
<b>OCS</b>	Countertop Support	Support between cabinet and refrigerator box column
<b>OFE xxL/R OCS</b>	Flush End Left/Right for OCS	Notched for use on cabinet with OCS countertop span applied
<b>OFExxL</b>	Flush End Left	Applied to cabinet next to undercounter appliance or to end run
<b>OFF</b>	Full-Height Door Filler	4" deep cabinet with no back wall for easy access to area behind
<b>OFL</b>	Filler Rear	Used between two cabinets to fill rear space, .75" minimum
<b>OFLA</b>	Front Filler Adjustable	Filler that can be adjusted as needed, seam in middle
<b>OFLF</b>	Filler Front	Used between two cabinets to fill front space, .75" minimum
<b>OFLFxx END</b>	Filler Front End	Used to end run: one side attaches to cabinet, other to wall
<b>OFTS</b>	Fridge Top Spacer	Fills void between countertop and top of undercounter appliance
<b>OPP</b>	Propane Pullout Shelf	Used in opening under door appliance base to hold propane tank
<b>ORP</b>	Refrigerator Box Column	Ends run and supports countertop next to undercounter appliance
<b>ORPS</b>	Refrigerator Panel Skin	Connects over an ORP to increase depth
<b>ORS</b>	Refrigerator Spacer	Spacer for undercounter appliance, pick size .25" larger than cutout
<b>OSHxx</b>	Half-Depth Shelf	Additional shelf for standard bases, 15" deep
<b>OSHxxP</b>	Pullout Shelf	Used under door side of appliance base for easy access storage
<b>OSHxxxx</b>	Full-Depth Shelf	Additional shelf for standard bases, 24" or 27" deep
<b>OSP KW</b>	Side Panel Key West Door	Decorative panels to match any door front style (Venice, Louver, etc.)
<b>OSP xxL Extend</b>	Side Panel Left Extended	Extends past cabinet back to cover gap between wall and cabinet
<b>OSPxxL</b>	Side Panel Left	Applied to end of run to finish cabinet side
<b>OTKx</b>	Toe Kick	Black composite material to cover legs: 2", 4.38", and 6" heights
<b>OTPxx</b>	Trash Pullout	Used to convert standard door to trash pullout for base cabinets

# Miscellaneous - Floating Shelves: FSxxB

[\\*Return to Table of Contents](#)



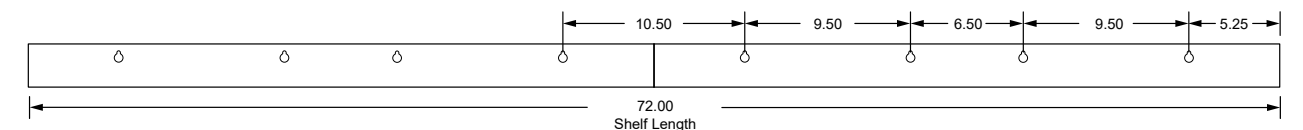
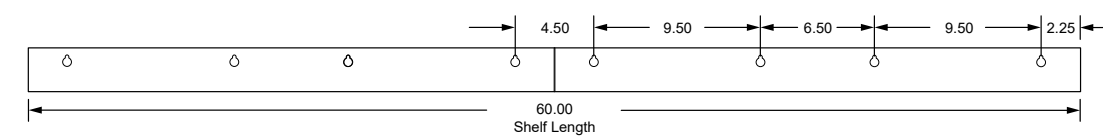
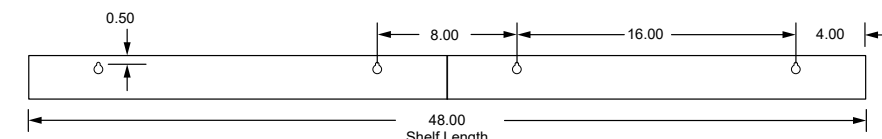
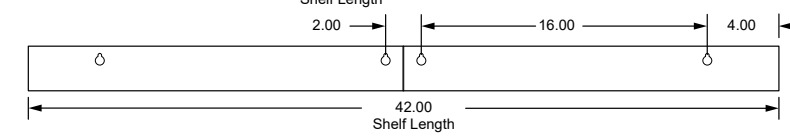
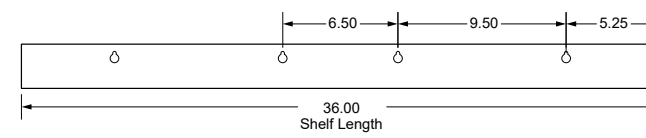
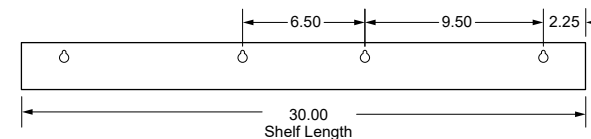
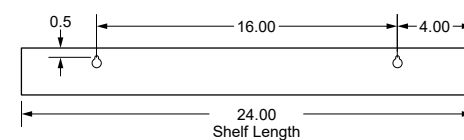
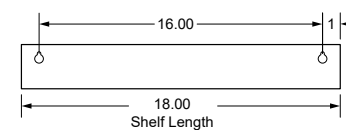
Product Description	
SKU	Bracket/Arm Configuration
Floating Shelf: xx"W x 2.5"H x 10"D	
FS18B	17.7" bracket, no arms
FS24B	17.7" bracket, 2 arms
FS30B	27.2" bracket, no arms
FS36B	27.2" bracket, 2 arms
FS42B	2x 17.7" brackets, 2 arms
FS48B	2x 17.7" brackets, 4 arms
FS60B	2x 27.2" brackets, no arms
FS72B	2x 27.2" brackets, 4 arms

**Note:** 3" Floating shelf arms pictured in red are automatically installed on brackets based on width (see table above).

Floating shelf bracket mounting

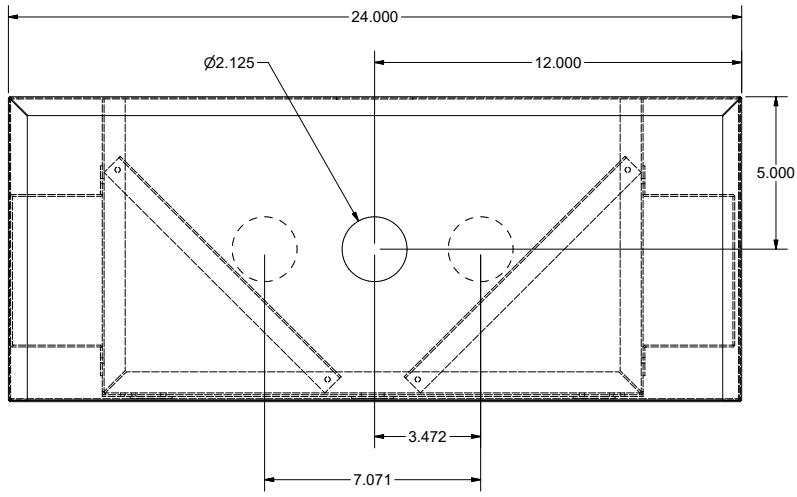
hole locations shown in left diagram.

Cannot be Wood Grain powder coated.

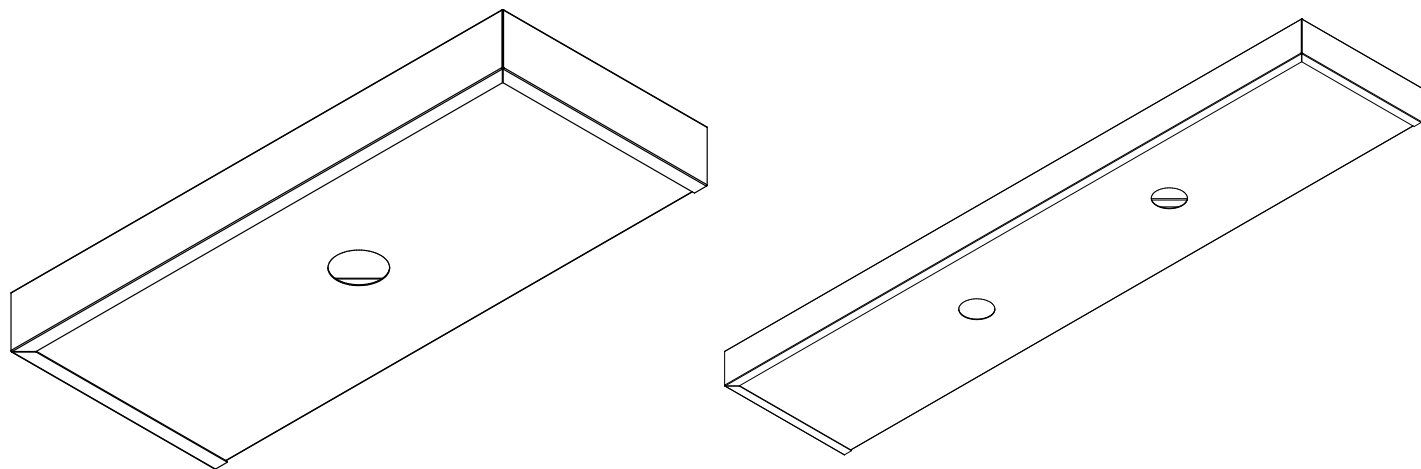
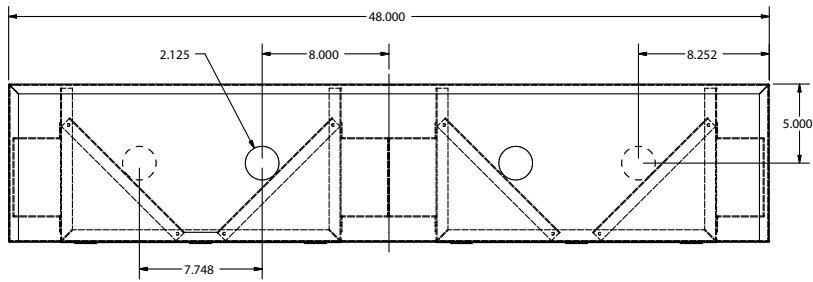


# Miscellaneous - Floating Shelves: Puck Lights

[\\*Return to Table of Contents](#)

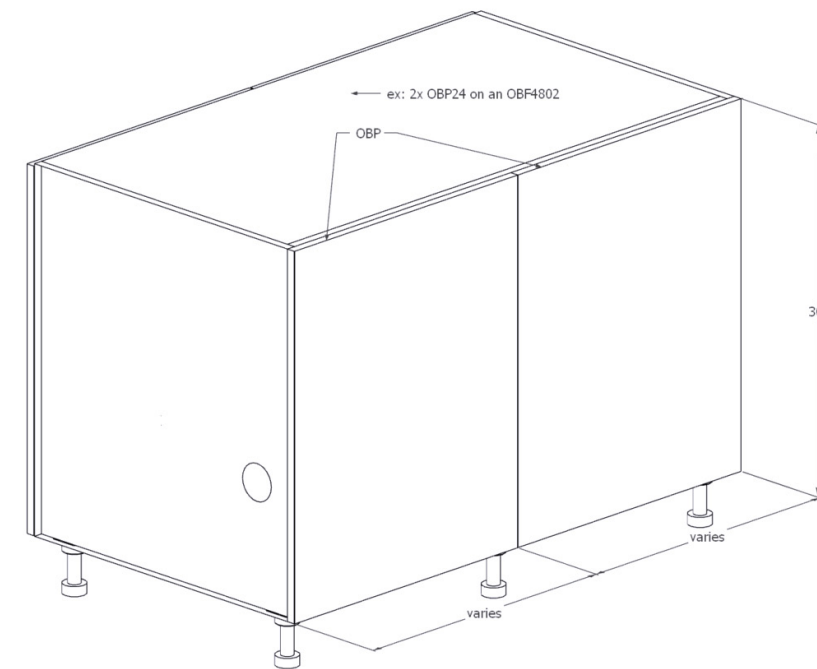
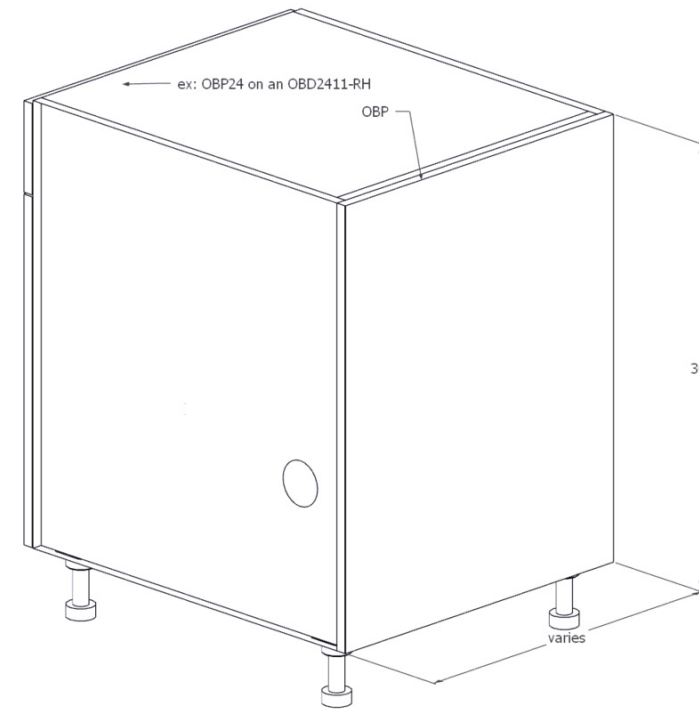


Product Description
Add Floating Shelf Puck light holes (specify number and location with drawing), lot charge per shelf.
<b>Note:</b> Puck light holes cannot be placed in the same location as internal mounting bracket(s). Engineering must verify hole placement is possible based on internal brackets shown in the diagrams to the left.
SKU
PUCK



# Cabinet Accessories - Back Panels: OBPxx

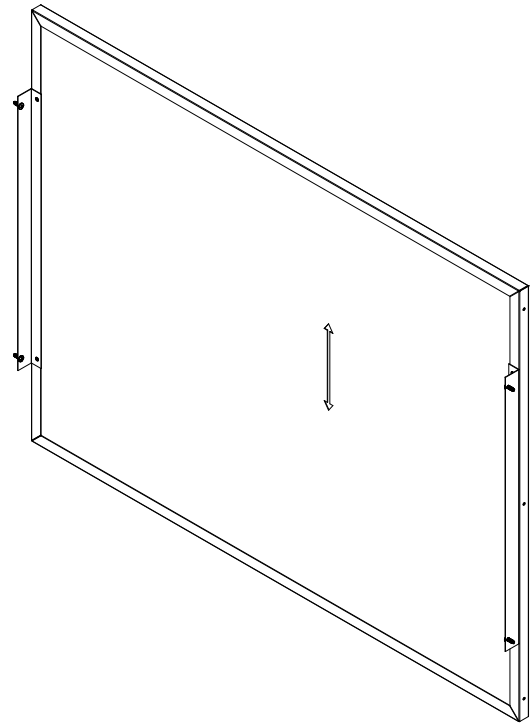
[\\*Return to Table of Contents](#)



Product Description	
OBP: 3/4" Thick back panel for base cabinets. Fits exact width of cabinet up to 39"W, wider cabinets use two smaller back panels (ex. OBF4202 uses two 21"W back panels).	
Note: Use standard OBP for ADA SINK SPACE.	
SKU	Description
OBP09	9" back panel
OBP12	12" back panel
OBP15	15" back panel
OBP18	18" back panel. Order 1 for an 18" or 2 for a 36" non-appliance cabinet.
OBP19.5	19 1/2" back panel. Order 2 for a 39" non-appliance cabinet.
OBP21	21" back panel. Order 1 for a 21" cabinet or 2 for a 42" cabinet.
OBP22	22" back panel. Order 3 for Galley sink - OBS6603.
OBP22.5	22 1/2" back panel. Order 2 for a 45" non-appliance cabinet.
OBP24	24" back panel. Order 1 for a 24" cabinet or 2 for a 48" cabinet.
OBP26	26" back panel. Order 2 for a 52" non-appliance cabinet.
OBP27	27" back panel
OBP30	30" back panel
OBP33	33" back panel
OBP36	36" back panel
OBP39	39" back panel

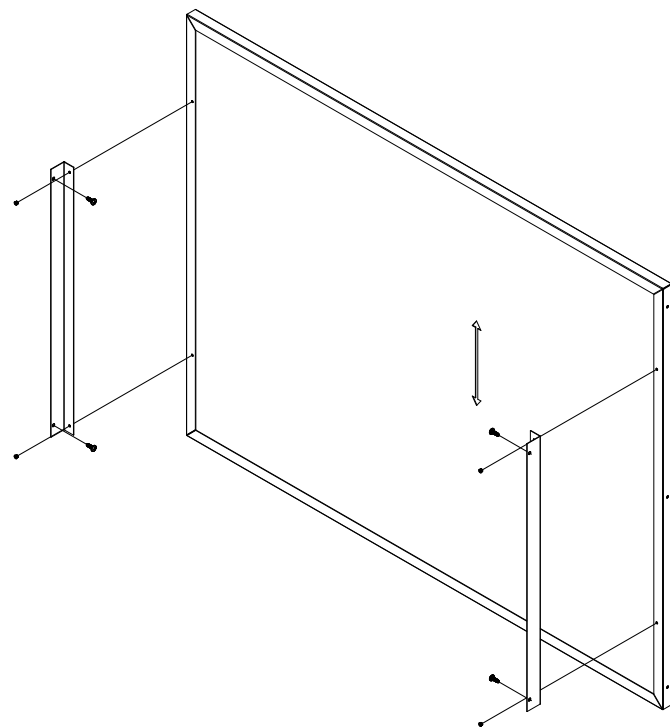
# Cabinet Accessories - ADA Back Panels

[\\*Return to Table of Contents](#)



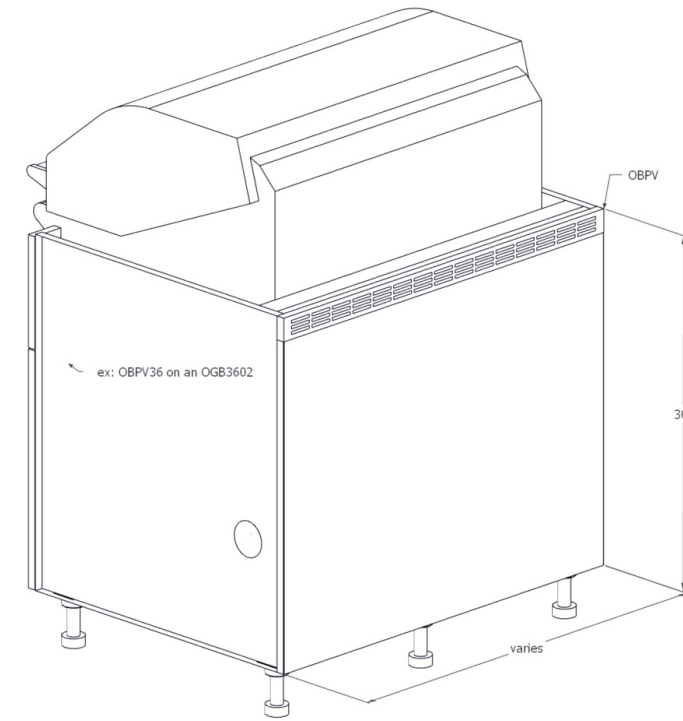
Product Description	
<p>OBP: 3/4" Thick back panel for base cabinets. Fits exact width of cabinet up to 39"W, wider cabinets use two smaller back panels (ex. OBF4202 uses two 21"W back panels).</p> <p>Note: Use OBPXX ADA SINK SPACE for ADA SINK SPACE applications.</p> <p>Note: OBPxx ADA EXTEND 6/8 panels are available for use on the bases next to Equal BPs.</p>	
SKU	Description
OBP36 ADA	36" back panel for OBS3600 ADA
OBP39 ADA	39" back panel for OBS3900 ADA
OBP42 ADA	42" back panel for OBS4200 ADA
OBP48 ADA	48" back panel for OBS4800 ADA

**Exploded View**

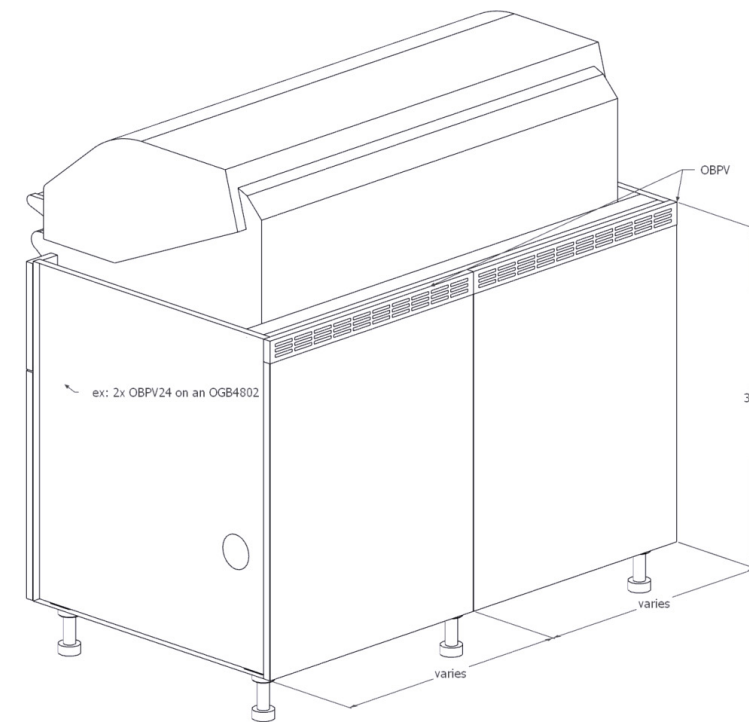


# Cabinet Accessories - Vented Back Panels: OBPV

[\\*Return to Table of Contents](#)

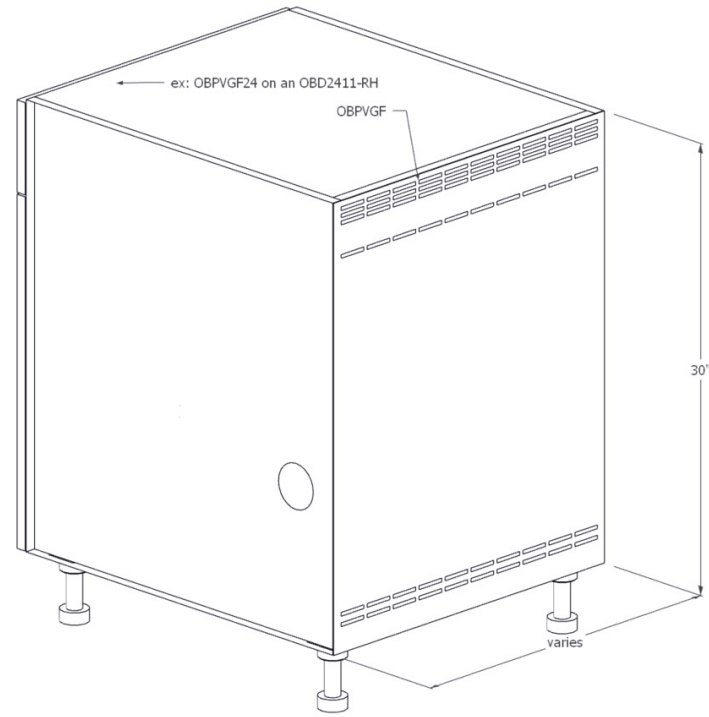


Product Description	
<p>OBPV: 3/4" Thick vented back panel for base cabinets. Use with cooking appliance cabinets (OGB, OBB, etc.), fits exact width of cabinet up to 36"W, wider cabinets use two smaller back panels (ex. OGB5841 uses two 29"W back panels).</p>	
SKU	Description
OBPV15	15" vented back panel
OBPV18	18" vented back panel. Order 1 for a side burner or 2 for a 36" grill cabinet.
OBPV21	21" vented back panel. Order 2 for a 42" grill cabinet.
OBPV24	24" vented back panel. Order 2 for a 48" grill cabinet.
OBPV24 OGF	24" vented back panel. Order 2 for a 48" OGF cabinet.
OBPV27	27" vented back panel. Order 2 for a 54" grill cabinet.
OBPV29	29" vented back panel. Order 2 for a 58" grill cabinet.
OBPV30	30" vented back panel
OBPV31	31" vented back panel. Order 2 for a 62" grill cabinet.
OBPV31 OGF	36" vented back panel. Order 2 for 62" OGF cabinet.
OBPV33	33" vented back panel
OBPV36	36" vented back panel
OBPV39	39" vented back panel.

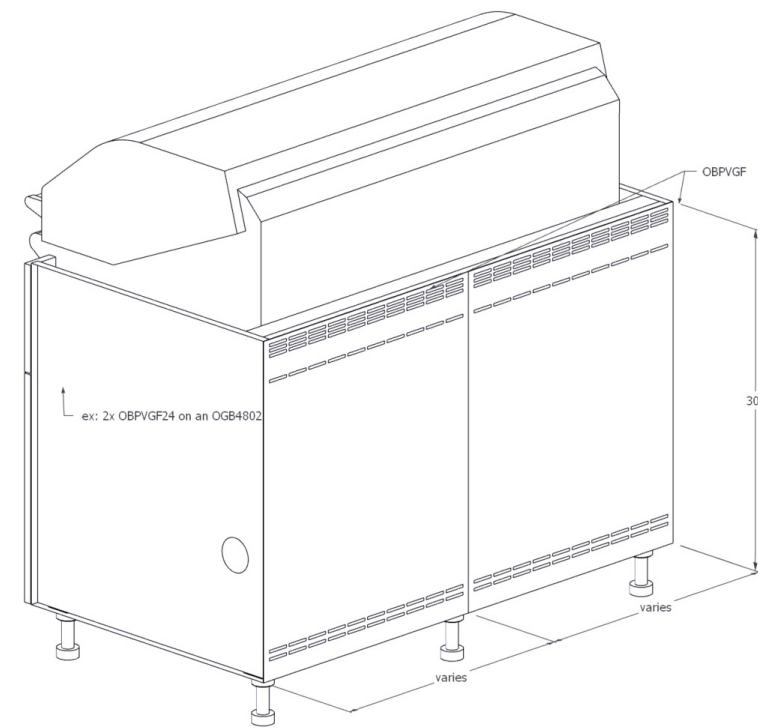


# Cabinet Accessories - Galvanized Vented Back Panels: OBPVGF

[\\*Return to Table of Contents](#)

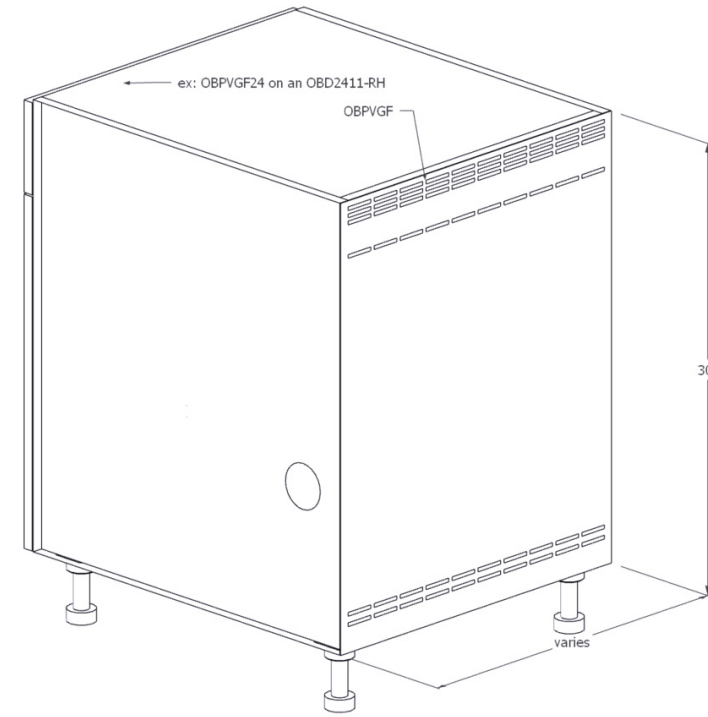


Product Description	
OBPVGF: Base cabinet galvanized flush back panel. Sits flush in cabinet back, used to fill in cabinet back for adhering waterfall countertops and other materials. Used in conjunction with Equal Back Panels and Extended Back Panels. Fits exact width of cabinet up to 39"W, wider cabinets use two smaller back panels.	
SKU	Description
OBPVGF09	Galvanized 9" filler back panel
OBPVGF12	Galvanized 12" filler back panel
OBPVGF15	Galvanized 15" filler back panel
OBPVGF18	Galvanized 18" filler back panel. Order 1 for an 18" side burner or 2 for a 36" grill cabinet.
OBPVGF21	Galvanized 21" filler back panel. Order 1 for an 21" side burner or 2 for a 42" grill cabinet.
OBPVGF22.5	Galvanized 22.5" filler back panel. Order 2 for a 45" cabinet.
OBPVGF24	Galvanized 24" filler back panel. Order 2 for a 48" grill cabinet.
OBPVGF27	Galvanized 27" back panel. Order 2 for a 54" grill cabinet.
OBPVGF29	Galvanized 29" filler back panel. Order 2 for a 58" grill cabinet.
OBPVGF30	Galvanized 30" filler back panel.
OBPVGF31	Galvanized 31" filler back panel. Order 2 for 62" OGF cabinet.
OBPVGF33	Galvanized 33" filler back panel
OBPVGF36	Galvanized 36" filler back panel
OBPVGF39	Galvanized 39" filler back panel

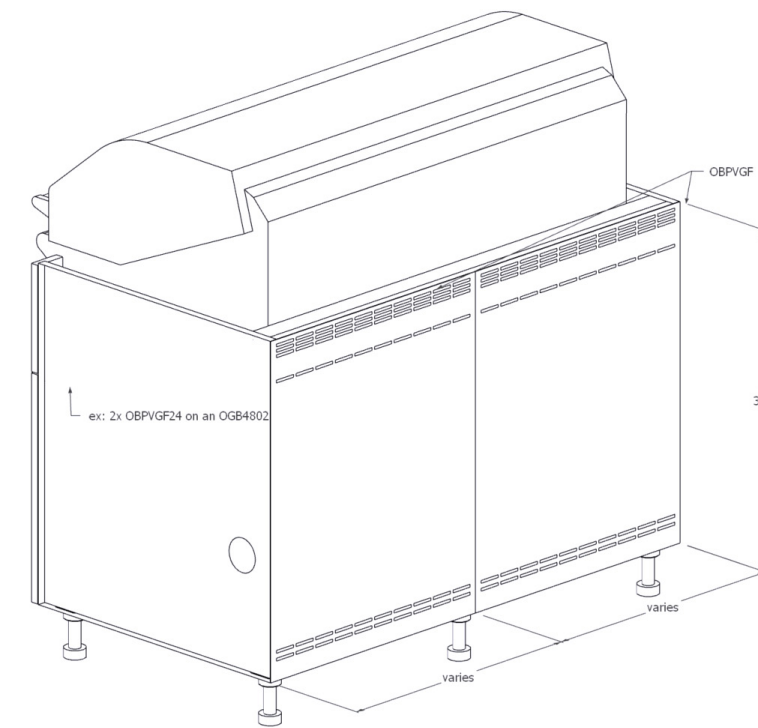


# Cabinet Accessories - OBPVGF 36H

[\\*Return to Table of Contents](#)



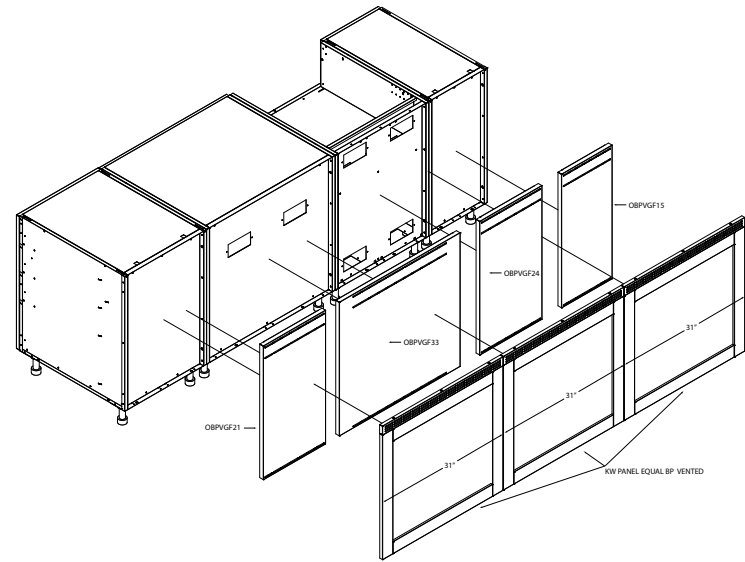
Product Description	
OBPVGF: Base cabinet galvanized flush back panel, 36"H for OBFWDxx36 cabinets. Sits flush in cabinet back, used to fill in cabinet back for adhering waterfall countertops and other materials. Used in conjunction with Equal Back Panels and Extended Back Panels. Fits exact width of cabinet up to 39"W, wider cabinets use two smaller back panels.	
SKU	Description
OBPVGF09 36H	Galvanized 9" filler back panel
OBPVGF12 36H	Galvanized 12" filler back panel
OBPVGF15 36H	Galvanized 15" filler back panel
OBPVGF18 36H	Galvanized 18" filler back panel. Order 1 for an 18" side burner or 2 for a 36" grill cabinet.
OBPVGF21 36H	Galvanized 21" filler back panel. Order 1 for an 21" side burner or 2 for a 42" grill cabinet.
OBPVGF24 36H	Galvanized 24" filler back panel. Order 2 for a 48" grill cabinet.
OBPVGF27 36H	Galvanized 27" back panel. Order 2 for a 54" grill cabinet.
OBPVGF30 36H	Galvanized 30" filler back panel.
OBPVGF33 36H	Galvanized 33" filler back panel
OBPVGF36 36H	Galvanized 36" filler back panel





# Cabinet Accessories - Equal Back Panels

[\\*Return to Table of Contents](#)

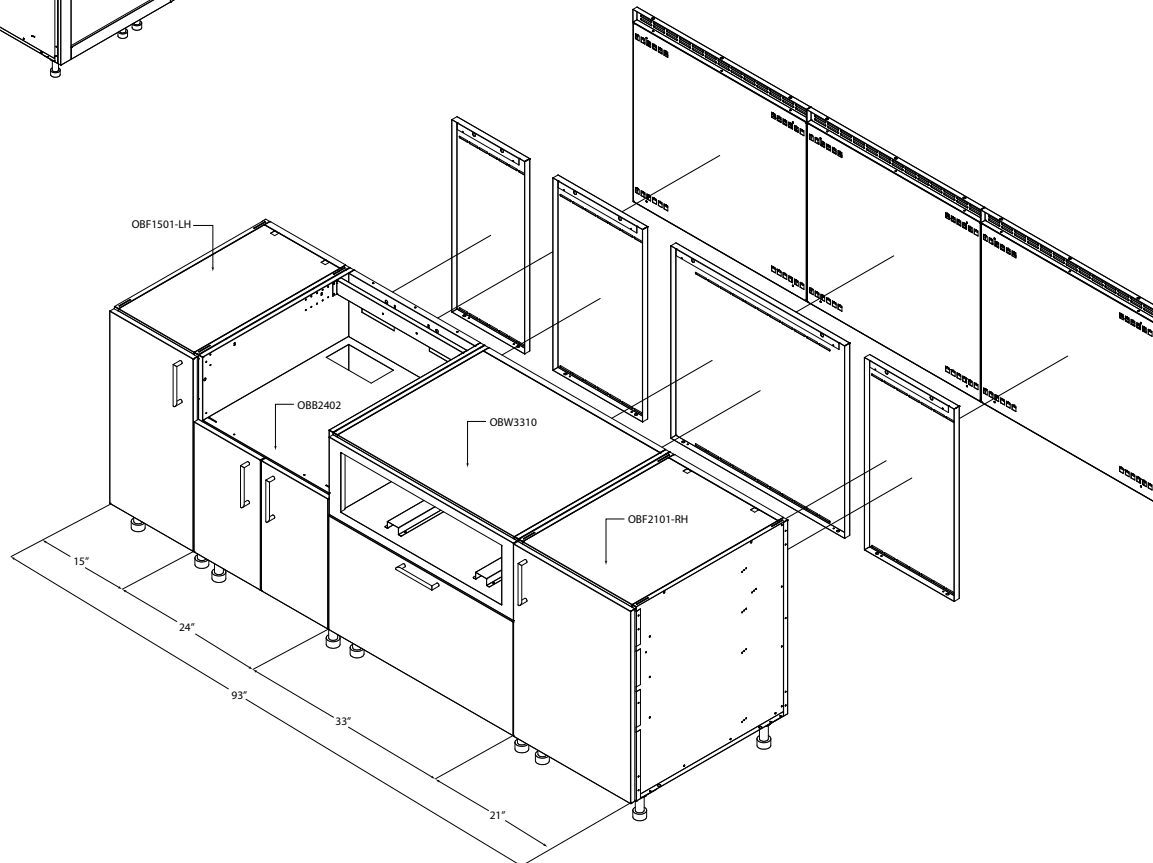
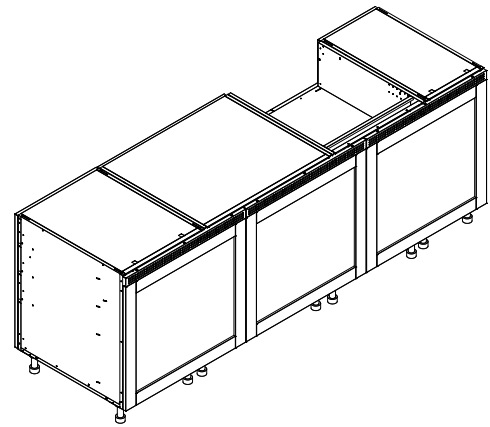


**Product Description**

Equal Back Panels: 3/4" Thick back panels for base cabinets made to match any door style. Widths 9"W - 36"W, custom made to equally span across a run. Must be ordered with OBPVGF galvanized filler back panels on corresponding cabinets for proper installation. Vented or non-vented depending on what cabinets they are being installed on.

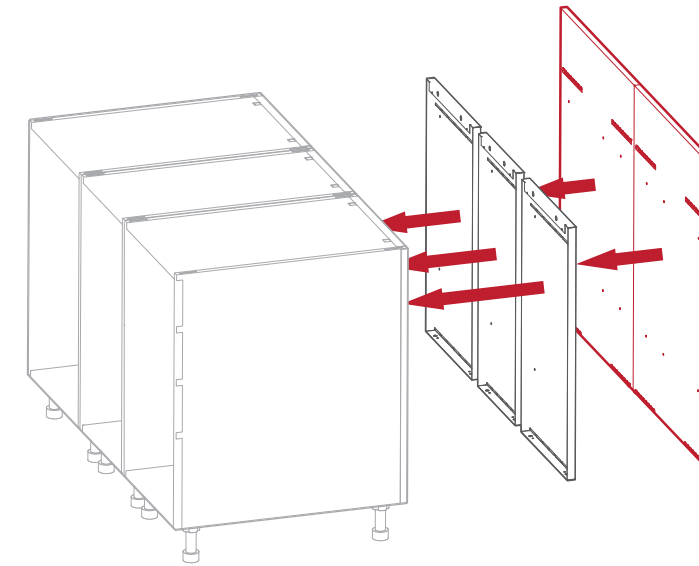
**Notes:** When used with OSP finished side panels, choose the depth of the cabinet with back panels (ex: OSP 28.63 for 27.88"D cabinets). When using Equal Back Panels with an OAR corner setup, one side will overhang by .75" to meet up with the equal panels on the other side.

SKU		
Door Style	Non-vented	Vented
Hampton	EQUAL BP HM PANEL	EQUAL BP HM PANEL VENTS
Key West	EQUAL BP KW PANEL	EQUAL BP KW PANEL VENTS
Key West Beadboard Center	EQUAL BP KW BB CENTER	EQUAL BP KW BB CENTER VENTS
Key West Louvered Center	EQUAL BP KW LV CENTER	EQUAL BP KW LV CENTER VENTS
Venice	EQUAL BP VN	EQUAL BP VN VENTS
Palm Beach	EQUAL BP PB PANEL	EQUAL BP PB PANEL VENTS



# Cabinet Accessories - Extended Equal Back Panels

[\\*Return to Table of Contents](#)

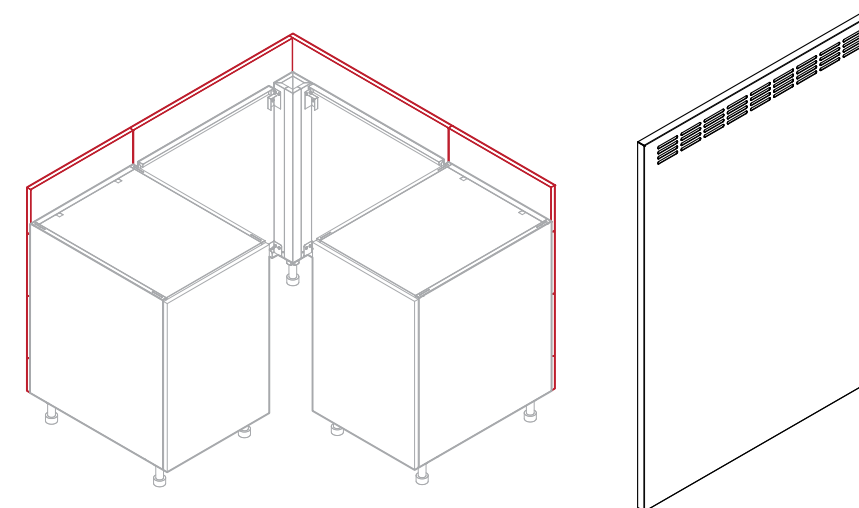
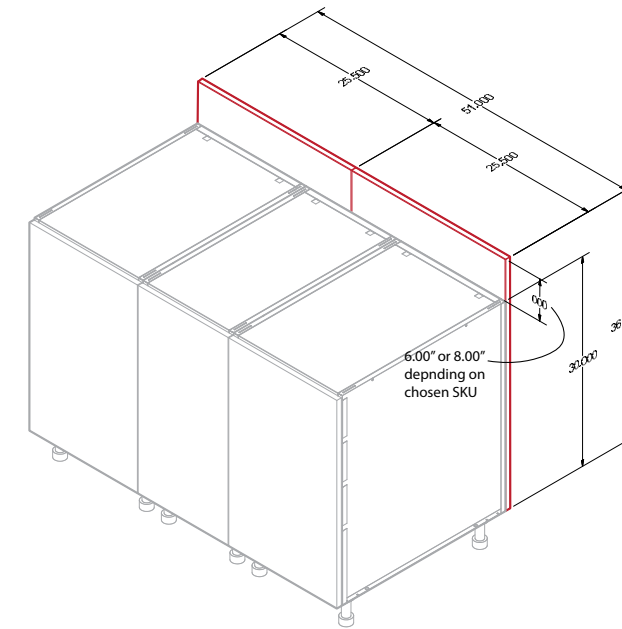


**Product Description**

EQUAL BP HM PANEL EXTEND VENTS or NO VENTS: 3/4" thick back panels for base cabinets that extend above cabinet tops. Height does not scale with countertop height, panels end 6" or 8" above the cabinet tops without any countertop. Widths 9"W - 36"W, custom made to span equally across a run. Must be ordered with OBPVGF galvanized filler back panels on corresponding cabinets to install. Vented or non-vented depending on cabinets installed on.

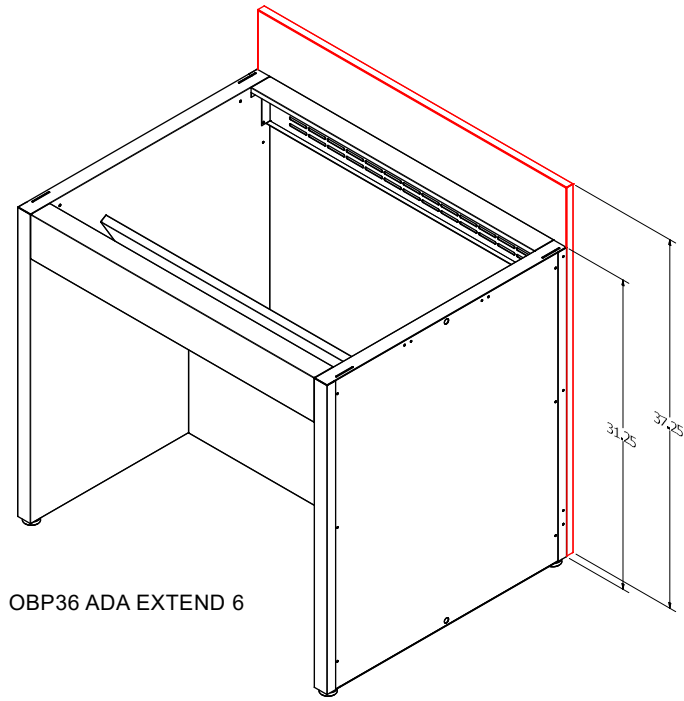
**Notes:** When used with OSP finished side panels, choose the depth of the cabinet without back panels. (Ex: OSP 27.88L or R for 27.88"D cabinets). When using Extended Back Panels with an OAR corner setup, one side will overhang by .75" to meet with equal panels on other side

SKU	Description
EQUAL BP HM PANEL EXTEND 6	Finished equal back panels that extend 6" above cabinet tops.
EQUAL BP HM PANEL EXTEND 6 VENTS	Finished vented equal back panels that extend 6" above cabinet tops.
EQUAL BP HM PANEL EXTEND 8	Finished equal back panels WITHOUT VENTS that extend 8" above cabinet tops (ADA height). This back panel can ONLY be used with the OCPS41 countertop support pier.
EQUAL BP HM PANEL EXTEND 8 VENTS	Finished equal back panels that extend 8" above cabinet tops (ADA height). This back panel can ONLY be used with the OCPS41 countertop support pier.

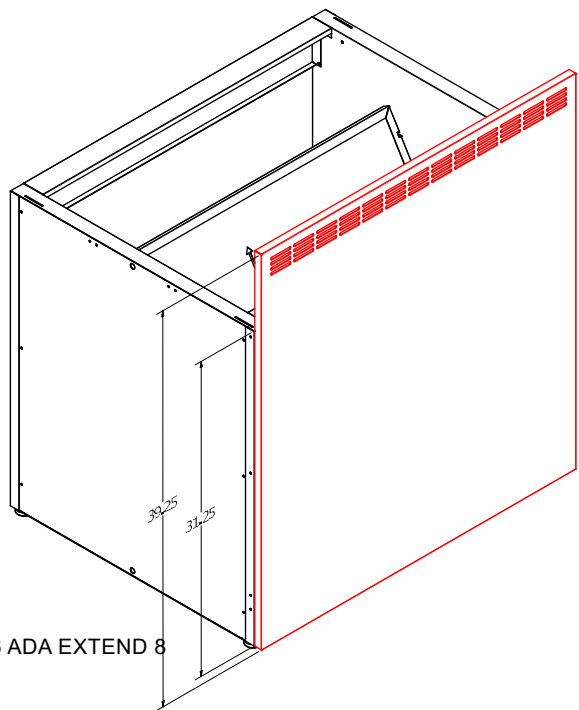


# Cabinet Accessories - ADA Extended Equal Back Panels

[\\*Return to Table of Contents](#)

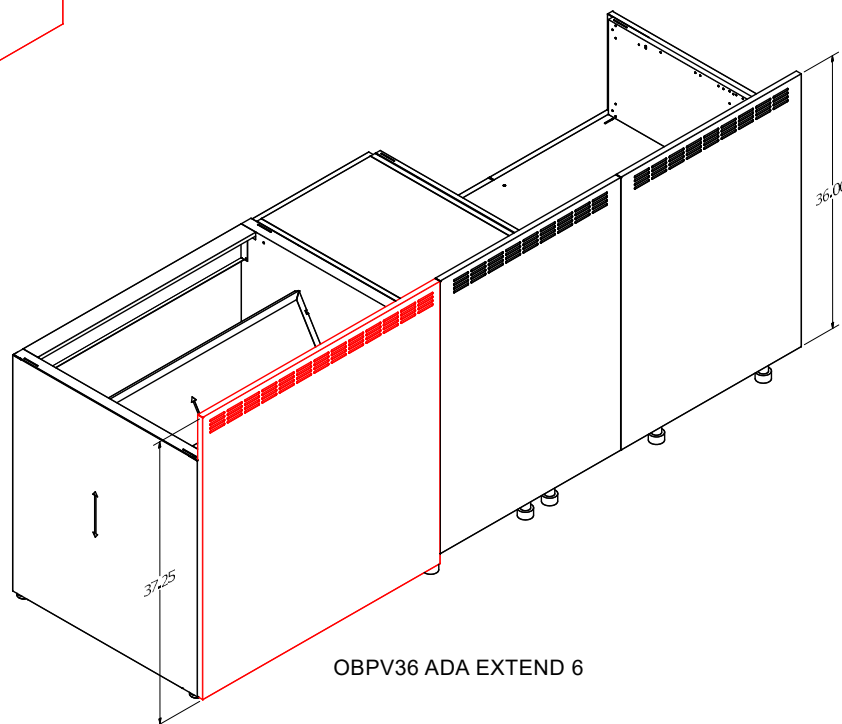


OBP36 ADA EXTEND 6



OBPV36 ADA EXTEND 8

Product Description	
OBPXX ADA EXTEND VENTS or NO VENTS: 3/4" thick back panels for ADA base cabinets that extend above cabinet tops. Height does not scale with countertop height, panels end 6" or 8" above the cabinet tops without any countertop. Fits exact width of cabinet up to 39"W, wider cabinets use two smaller equal back panels.	
Non-Vented SKU	Vented SKU
OBP36 ADA EXTEND 6	OBPV36 ADA EXTEND 6
OBP39 ADA EXTEND 6	OBPV39 ADA EXTEND 6
OBP42 ADA EXTEND 6	OBPV42 ADA EXTEND 6
OBP45 ADA EXTEND 6	OBPV45 ADA EXTEND 6
OBP48 ADA EXTEND 6	OBPV48 ADA EXTEND 6
OBP60 ADA EXTEND 6	OBPV60 ADA EXTEND 6
Non-Vented SKU	Vented SKU
OBP36 ADA EXTEND 8	OBPV36 ADA EXTEND 8
OBP39 ADA EXTEND 8	OBPV39 ADA EXTEND 8
OBP42 ADA EXTEND 8	OBPV42 ADA EXTEND 8
OBP45 ADA EXTEND 8	OBPV45 ADA EXTEND 8
OBP48 ADA EXTEND 8	OBPV48 ADA EXTEND 8
OBP60 ADA EXTEND 8	OBPV60 ADA EXTEND 8



OBPV36 ADA EXTEND 6

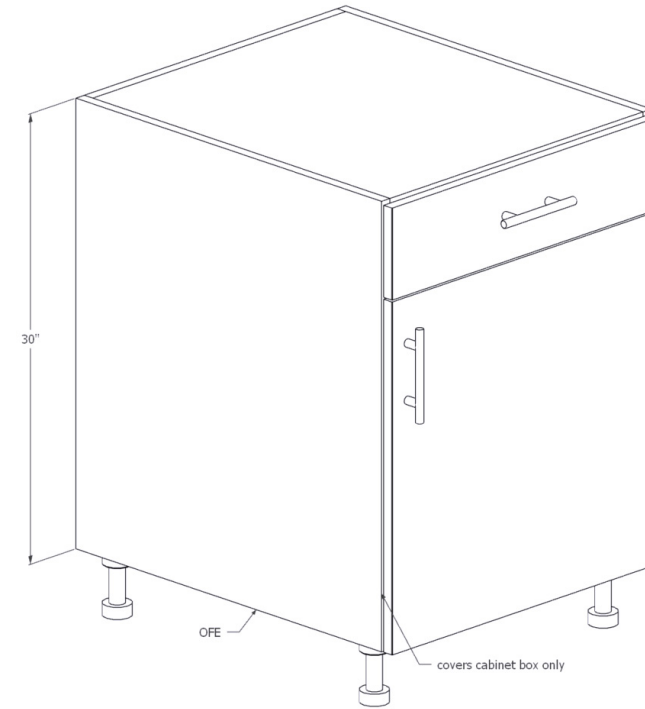
**Note:** These are to be used when there are extended height equal back panels being used in a run, in conjunction with an ADA Sink Base.

Galvanized back panels are not needed for application.

The EXTEND 8" panels are for an ADA application that uses OCPS41, 41E, 41-12 and 41-12E piers for use with barstools. If not using barstools, the EXTEND 6" on it's own, or paired with OCPS41 will work.

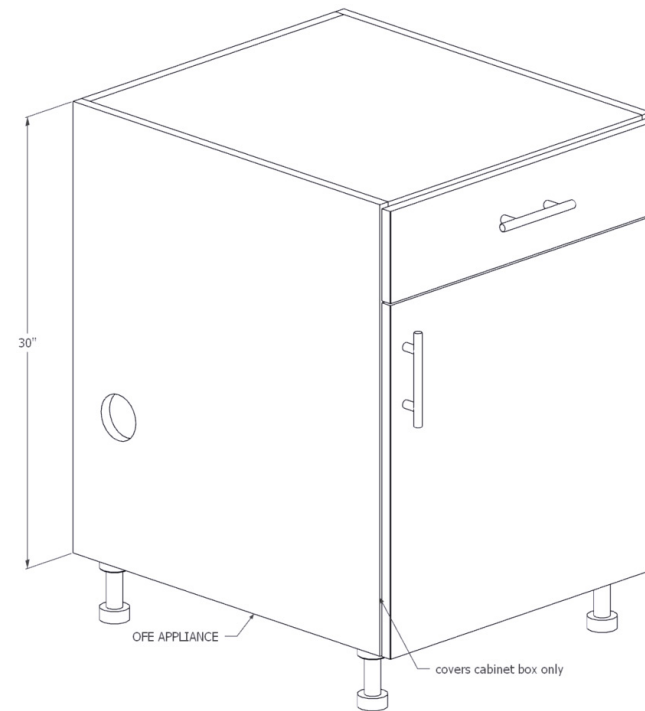
# Cabinet Accessories - Flush End Panels: OFE xxL/R, OFEGFxx

[\\*Return to Table of Contents](#)

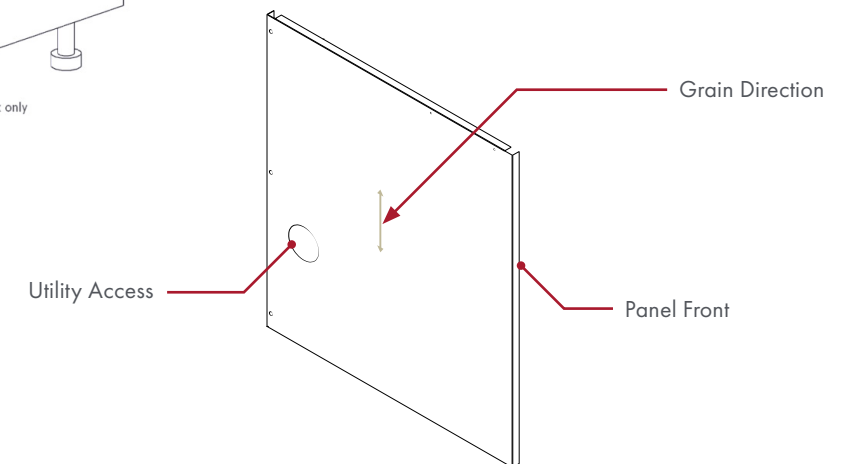


Product Description	
OFE: Base cabinet flush side panel. Sits flush to cabinet side, specify based on cabinet side and depth. No round access hole cutout or attachment holes for ORS.	
27" Depth SKU	24" Depth SKU
OFE 27L	OFE 24L
OFE 27R	OFE 24R

Product Description	
OFE APPLIANCE: Base cabinet flush side panel. Sits flush to cabinet side, has round knockout access hole for plumbing/electrical in rear of panel, used to finish a cabinet side adjacent to an undercounter appliance. Specify based on cabinet side and depth.	
27" Depth SKU	24" Depth SKU
OFE 27L APPLIANCE	OFE 24L APPLIANCE
OFE 27R APPLIANCE	OFE 24R APPLIANCE

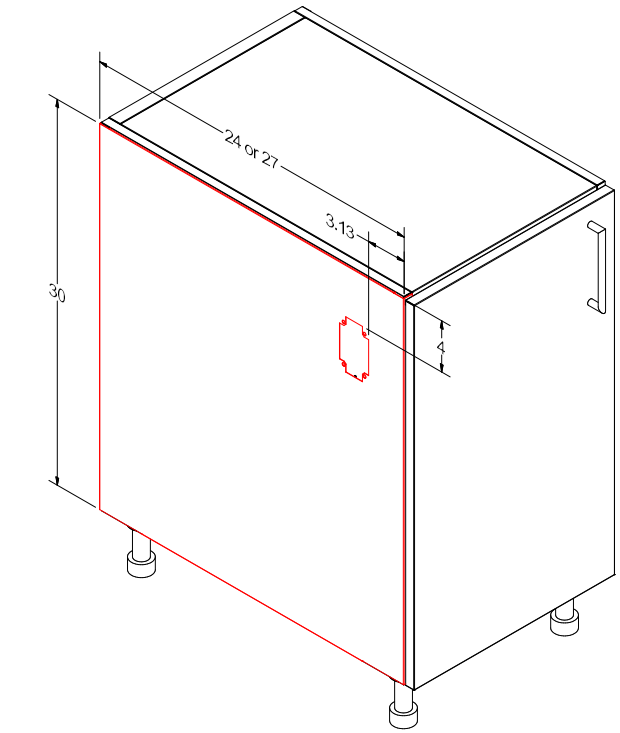


Product Description	
OFE GF: Base cabinet galvanized flush side panel. Sits flush in cabinet side, used to fill in cabinet side for adhering waterfall countertops and other materials. Specify based on cabinet depth.	
27" Depth SKU	24" Depth SKU
OFE GF27	OFE GF24

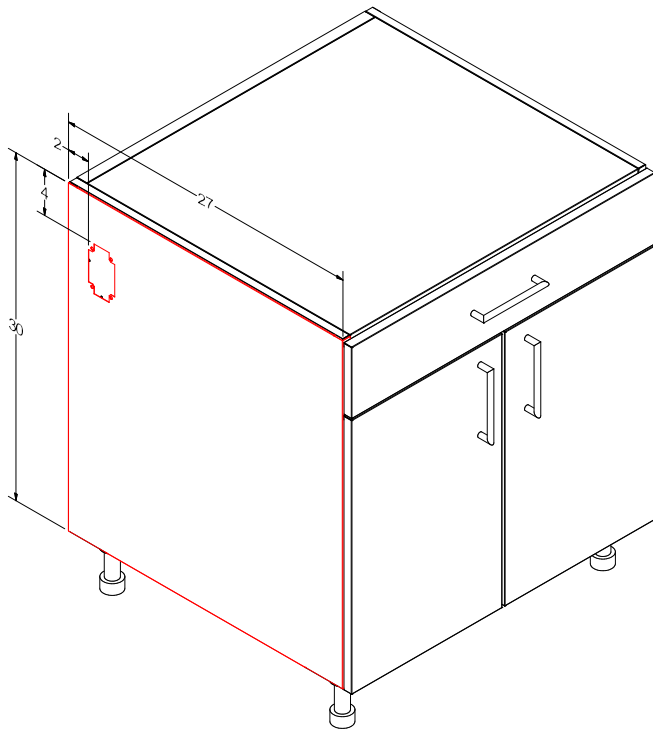


# Cabinet Accessories - Flush End Panels GFCl: OFE xxL/R ELEC

[\\*Return to Table of Contents](#)

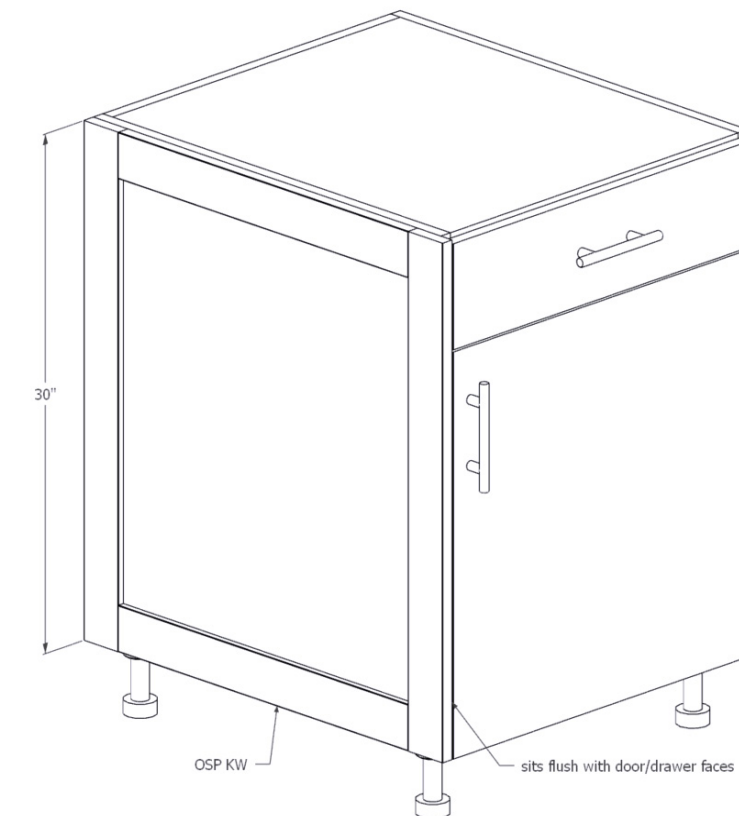
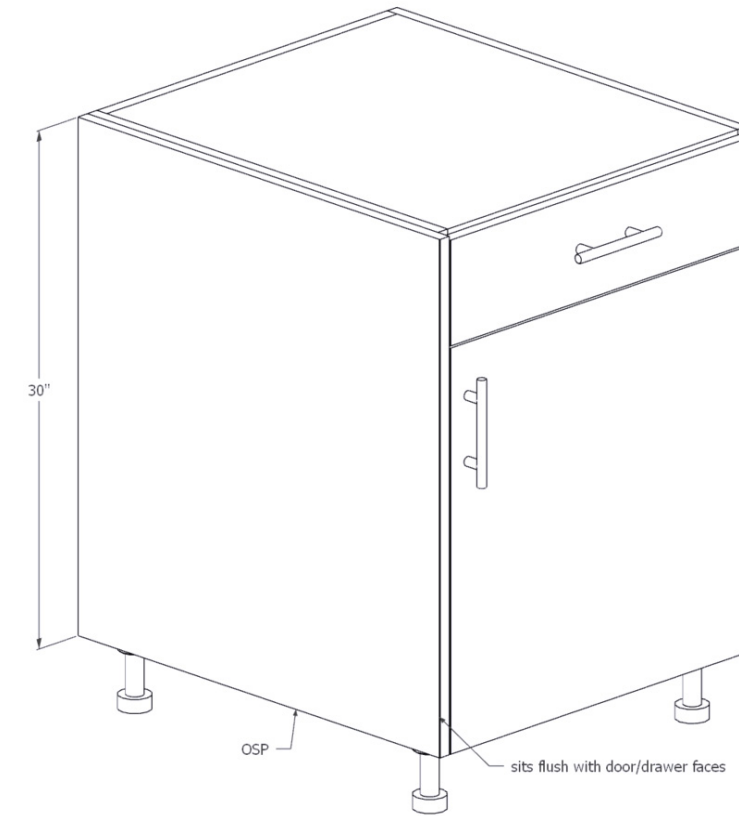


Product Description	
OFE xxL/R ELEC FRONT or REAR: Base cabinet flush side panel. Sits flush to cabinet side, specify based on cabinet side and depth. Choose Front or Rear GFCl cutout in standard location.	
27" Depth SKU	24" Depth SKU
OFE 27L ELEC FRONT	OFE 24L ELEC FRONT
OFE 27R ELEC FRONT	OFE 24R ELEC FRONT
OFE 27L ELEC REAR	
OFE 27R ELEC REAR	



# Cabinet Accessories - Side Panels: OSP xxL/R

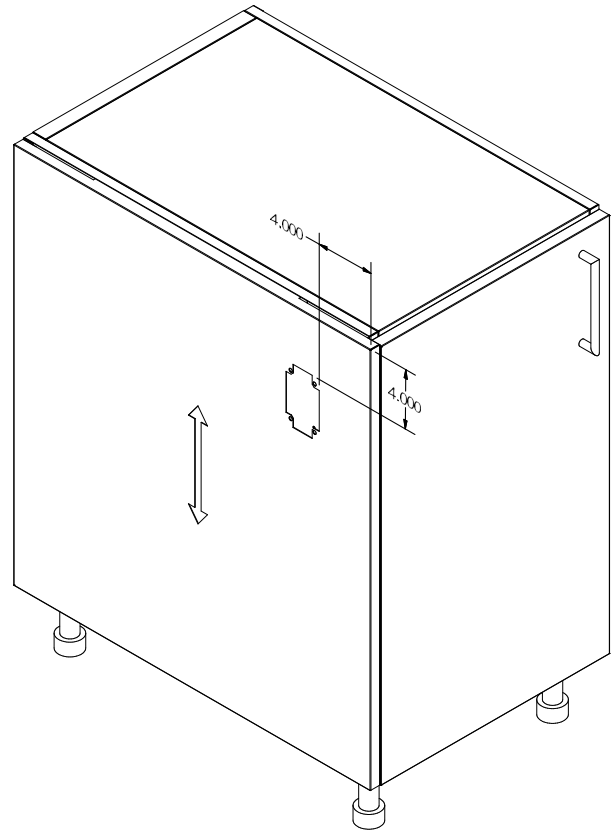
[\\*Return to Table of Contents](#)



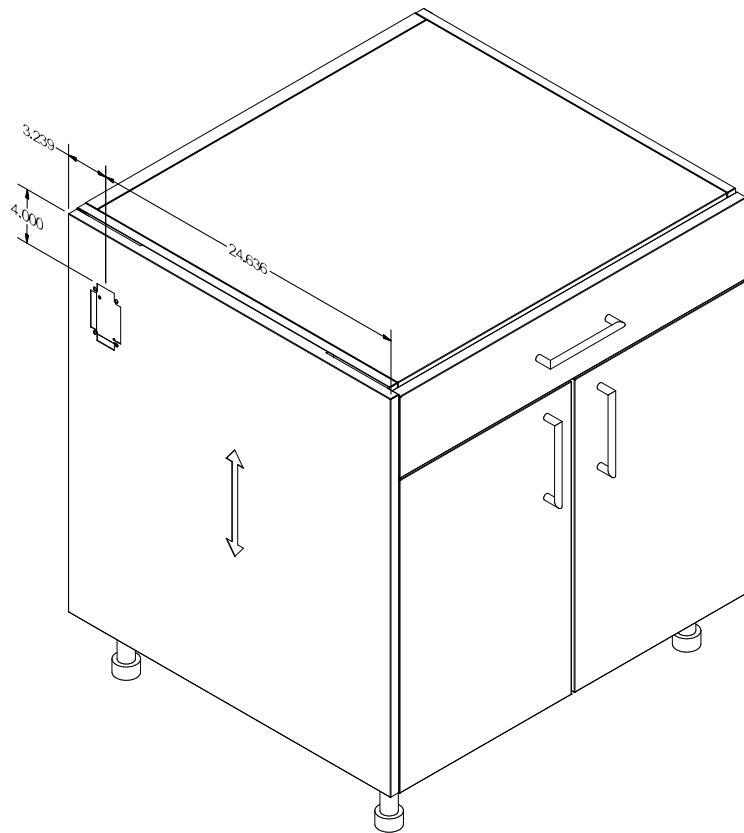
Product Description	
OSP: 3/4" Thick side panels for base cabinets. Panels sit flush with door/drawer faces and back panels if used. Specify based on cabinet side and depth (select .75" deeper for use with back panels).	
24" Depth SKU	
OSP 24.88L	
OSP 24.88R	
OSP 25.63L	24"D Cabinet with back panel
OSP 25.63R	24"D Cabinet with back panel
27" Depth SKU	
OSP 27.88L	
OSP 27.88R	
OSP 28.63L	27"D Cabinet with back panel
OSP 28.63R	27"D Cabinet with back panel
OSP panels can be made to match any door style.	
SKU Prefix	Door Style
OSP KW	Key West Panel
OSP KW BB	Key West Bead Board Center
OSP KW LV	Key West Louvered Center
OSP KW SG	Key West Seaglass Center (Sky Blue, Seafoam Green, or Cloud White)
OSP PB	Palm Beach Panel
OSP VN	Venice Panel

# Cabinet Accessories - Side Panels GFCI: OSP xxL/R ELEC

[\\*Return to Table of Contents](#)

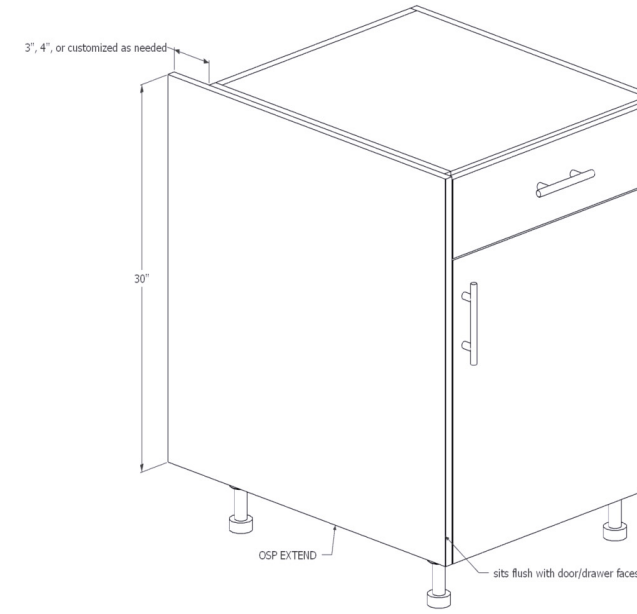


Product Description
OSP: 3/4" Thick side panels for base cabinets. Panels sit flush with door/drawer faces and back panels if used. Specify based on cabinet side and depth (select .75" deeper for use with back panels). Choose Front or Rear GFCI cutout in standard location.
24" Depth SKU
OSP 24.88L ELEC FRONT
OSP 24.88R ELEC FRONT
OSP 25.63L ELEC FRONT
OSP 25.63R ELEC FRONT
OSP 27.88L ELEC FRONT
OSP 27.88R ELEC FRONT
OSP 27.88L ELEC REAR
OSP 27.88R ELEC REAR
OSP 28.63L ELEC FRONT
OSP 28.63R ELEC FRONT
OSP 28.63L ELEC REAR
OSP 28.63R ELEC REAR



# Cabinet Accessories - Extended Side Panels: OSP EXTEND

[\\*Return to Table of Contents](#)

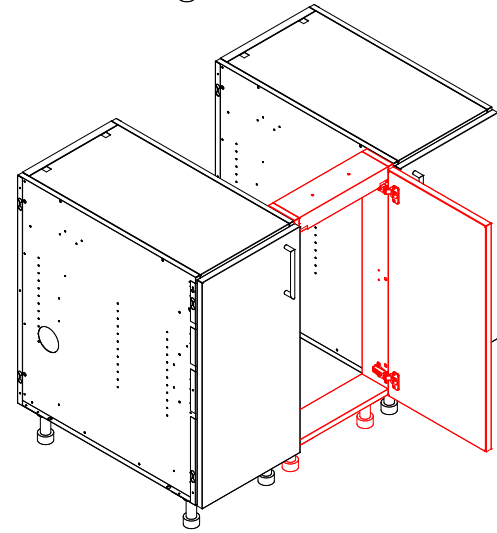
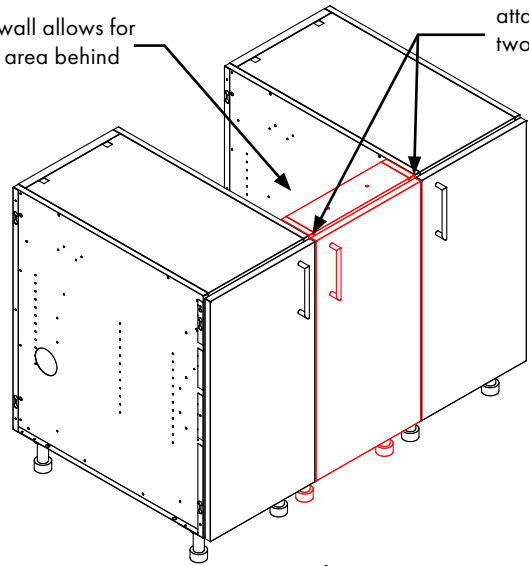


Product Description	
OSP EXTEND: 3/4" Thick side panels for base cabinetry, extends past the back of cabinet to cover gaps in back when cabinets are pulled forward from walls. Panels sit flush with door/drawer faces in front. 3" and 4" extended panels standard. Custom sizes also available, use "XX" SKU. Specify based on cabinet size and depth.	
27" Depth SKU	24" Depth SKU
OSP 27.88L EXTEND 3.0	OSP 24.88L EXTEND 3.0
OSP 27.88R EXTEND 4.0	OSP 24.88R EXTEND 4.0
Custom SKU	Note
OSP XXL/R EXTEND XX	XX"=Cabinet depth (24.88" or 27.88") x XX" extended depth needed

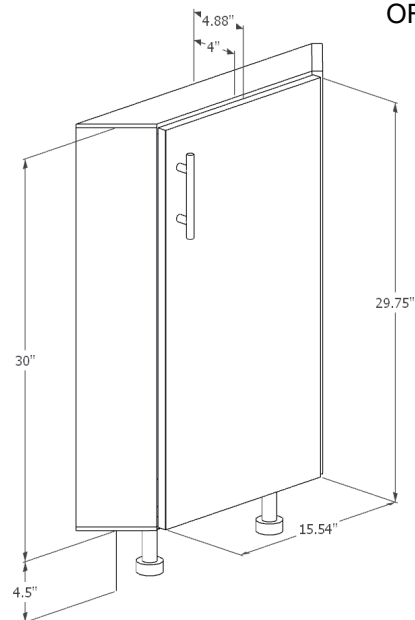
# Cabinet Accessories - Access Door Fillers: OFFxx

[\\*Return to Table of Contents](#)

no backwall allows for access to area behind  
attaches like a filler between two base cabinets

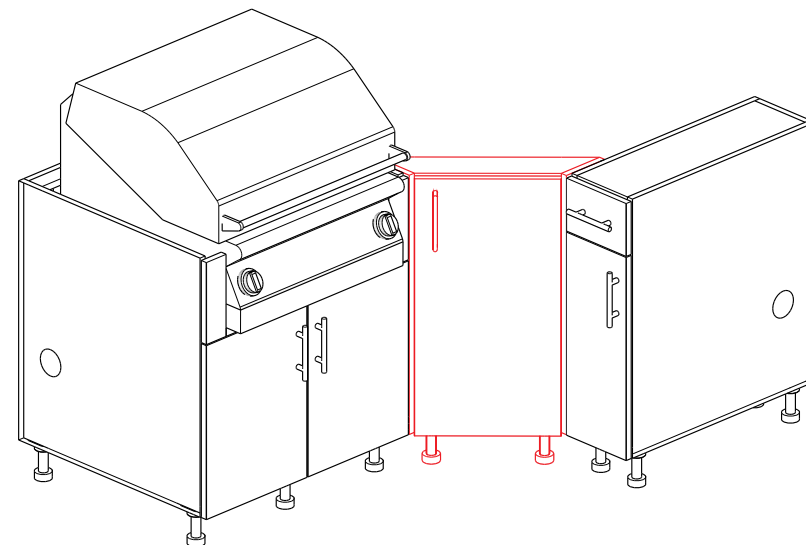


OFF CORNER



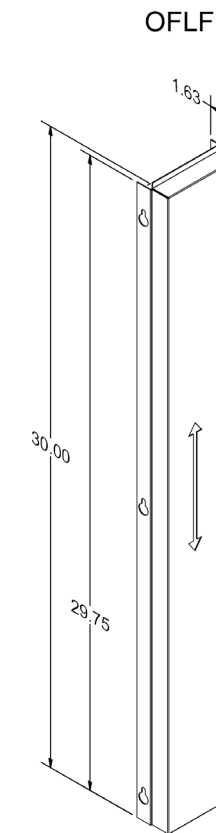
Product Description	
OFF: Full-Height door filler cabinet, 4"D with no back wall for easy access to area behind. 1 Door at 24"W and smaller, 2 doors at 27-36"W. Attaches between two base cabinets.	
*legs/toe kick/frame remain in place when door is opened*	
1 Door SKU	2 Door SKU
OFF09-LH / RH	OFF27
OFF12-LH / RH	OFF30
OFF15-LH / RH	OFF33
OFF18-LH / RH	OFF36
OFF21-LH / RH	
OFF24-LH / RH	

Product Description
OFF CORNER: Full-Height door filler cabinet, 4"D with no back wall for easy access to area behind. Installs in between two cabinets at a corner. 1 Door, specify hinge direction.
SKU
OFF15.5 CORNER

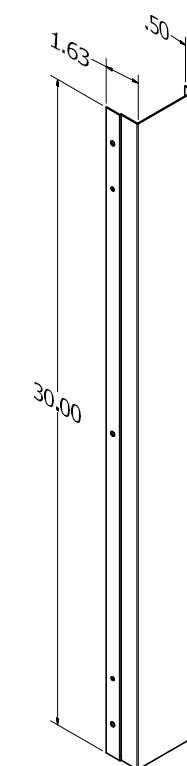


# Cabinet Accessories - Front Fillers: OFLFxx, OFLF ENDxx

[\\*Return to Table of Contents](#)



OFLF END



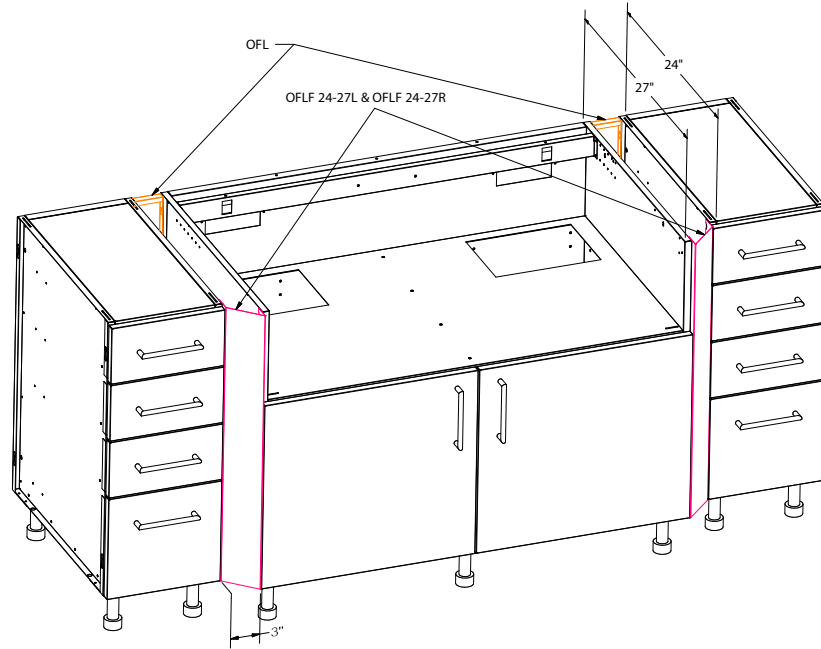
Product Description
OFLF: Front base cabinet filler, sits flush with door/drawer faces, joggle bends on both sides to attach between two base cabinets. 1"W minimum, available in 1/8" increments as needed. Example: OFLF 1.25
SKU
OFLFXX

Product Description
OFLF END: Front base cabinet end filler, sits flush with door/drawer faces, attaches between a base cabinet and a wall. 0.5"W minimum, available in 1/8" increments as needed. Joggle bend on one side to attach to cabinet, flat bend on other side for easy installation to wall, specify side. Example: OFLF END 2.00
SKU
OFLF END XX

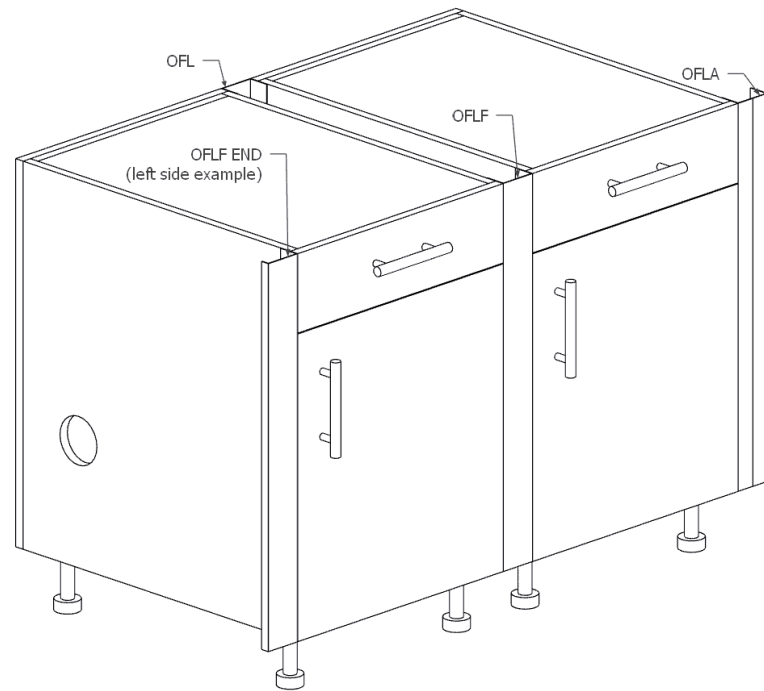


## Cabinet Accessories - Front Fillers: OFLF 24-27L/R, OFLA x-x

[\\*Return to Table of Contents](#)



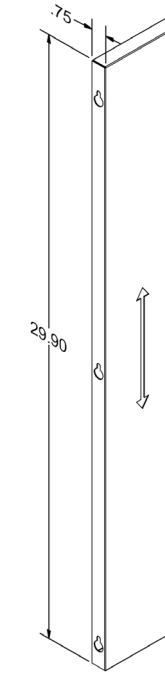
Product Description
OFLF: Front Filler with joggle bends, 29.75"H angled at 45 degrees to connect a 24"D cabinet to a 27"D cabinet or vice versa. Filler width is 4.25"W but it creates a 3"W gap between the cabinets where it connects.
SKU
OFLF 24-27L
OFLF 24-27R



Product Description
OFLA: Adjustable front base cabinet filler, 29.75"H, sits flush with door/drawer faces, joggle bends on both sides to attach between two base cabinets.
SKU
OFLA 1.0-1.50
OFLA 1.5-2.38
OFLA 2.0-3.5

## Cabinet Accessories - Rear Filler: OFLxx

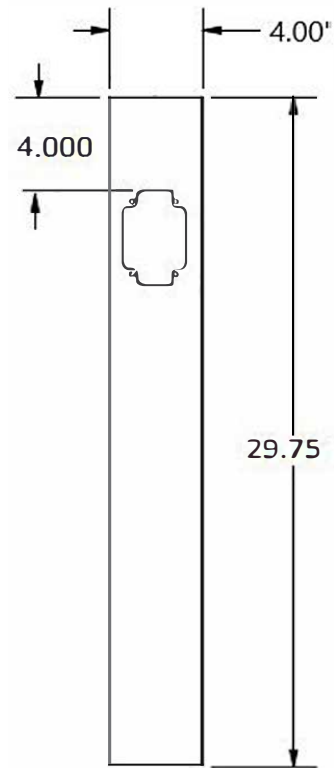
[\\*Return to Table of Contents](#)



Product Description
OFL: Rear base cabinet filler with two flat bends. Installs flush with cabinet back or back panels if present, attaches between two base cabinets. 1"W minimum, available in 1/8" increments as needed. Example: OFL 1.25
SKU
OFL XX

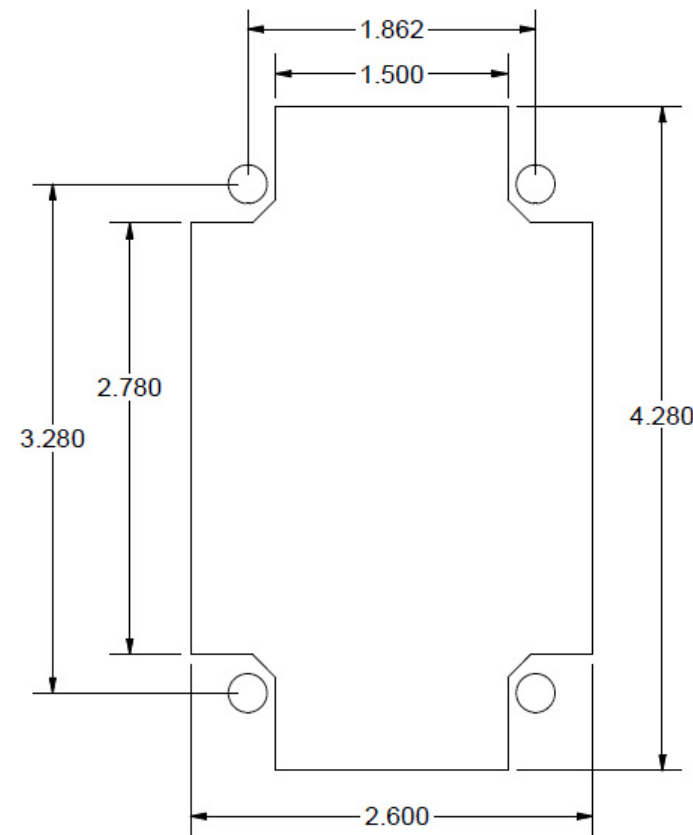
# Cabinet Accessories - Front/Rear Fillers with GFCI cutout

[\\*Return to Table of Contents](#)



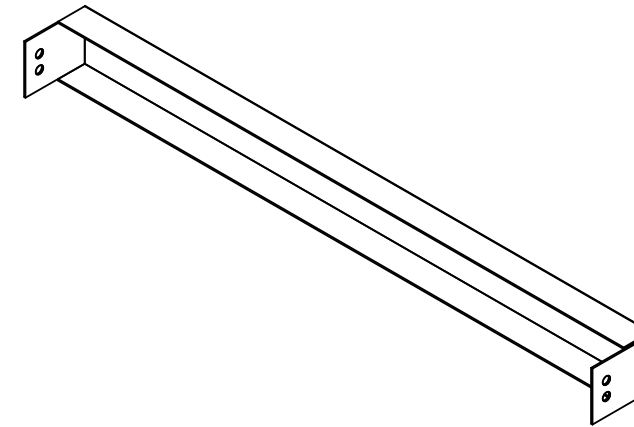
Product Description
OFLF ELEC: Front base cabinet filler, 29.75"H to sit flush with door/drawer faces, joggle bends on both sides to attach between two base cabinets. 1"W minimum, available in 1/8" increments as needed. Standard GFCI electrical cutout located 4" down from the top of the filler and centered.
*GFCI Outlet Box not provided.
SKU
OFLF 4.00 ELEC

Product Description
OFL ELEC: Rear base cabinet filler, installs flush with cabinet back or back panels if present, attaches between two base cabinets. 1"W minimum, available in 1/8" increments as needed. Standard GFCI electrical cutout located 4" down from the top of the filler and centered.
SKU
OFL 4.00 ELEC

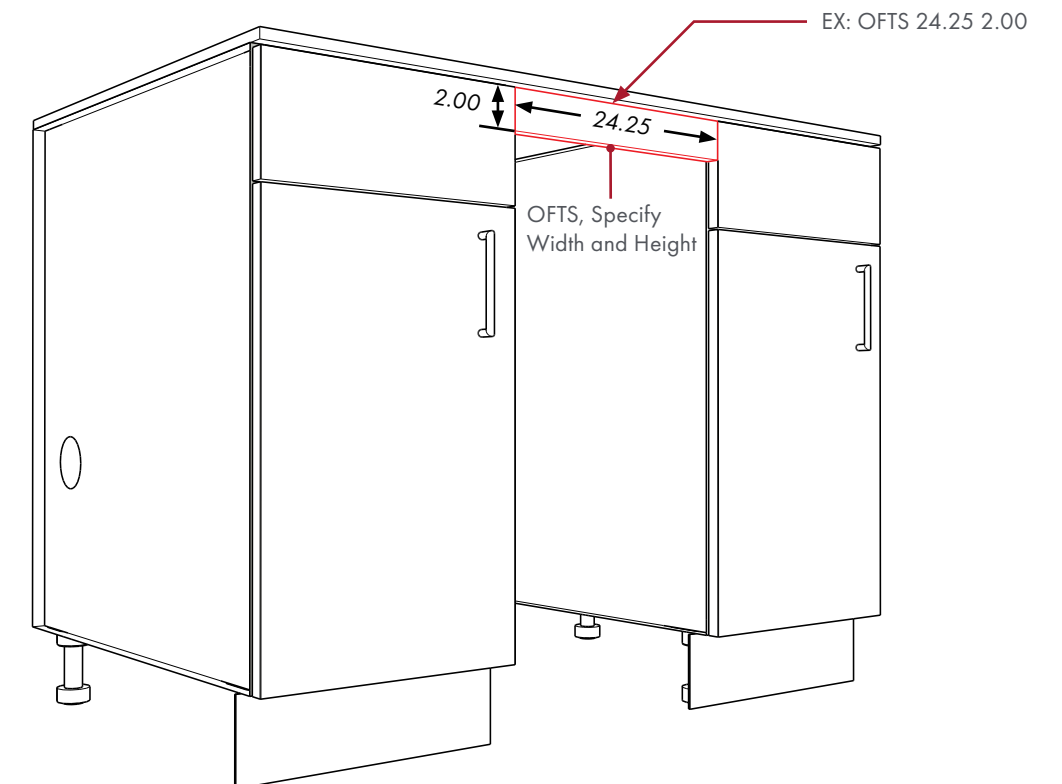
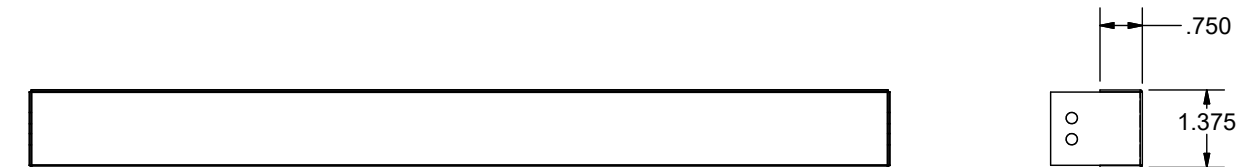
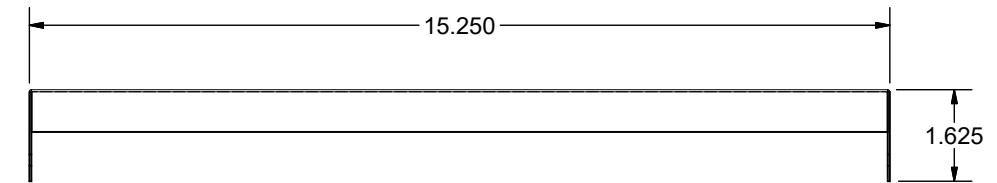


# Cabinet Accessories - Undercounter Appliance Filler: OFTS xx xx

[\\*Return to Table of Contents](#)



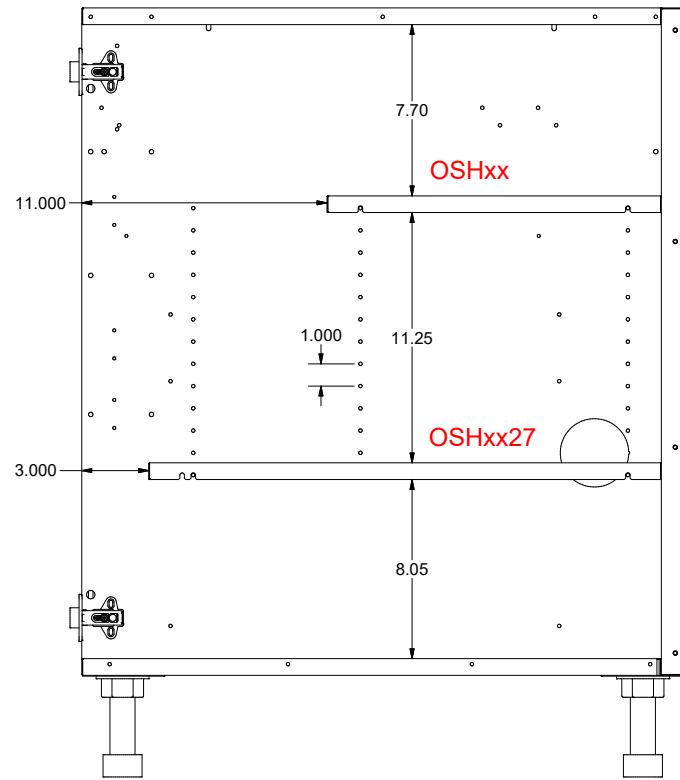
Product Description	
OFTS: Horizontal top spacer to fill gap between undercounter appliance top and countertop. Example SKU: OFTS 24.25 2.00	
SKU	Description
OFTS XX XX	XX" Wide x XX" High



# Cabinet Accessories - Half and Full-Depth Shelving: OSH

[\\*Return to Table of Contents](#)

We offer a variety of different shelving options including half-depth, full-depth, pullout, and heavy duty pullout shelves for ice chests. NOTE: Appliance shelves are installed in FIXED position and cannot be adjusted.



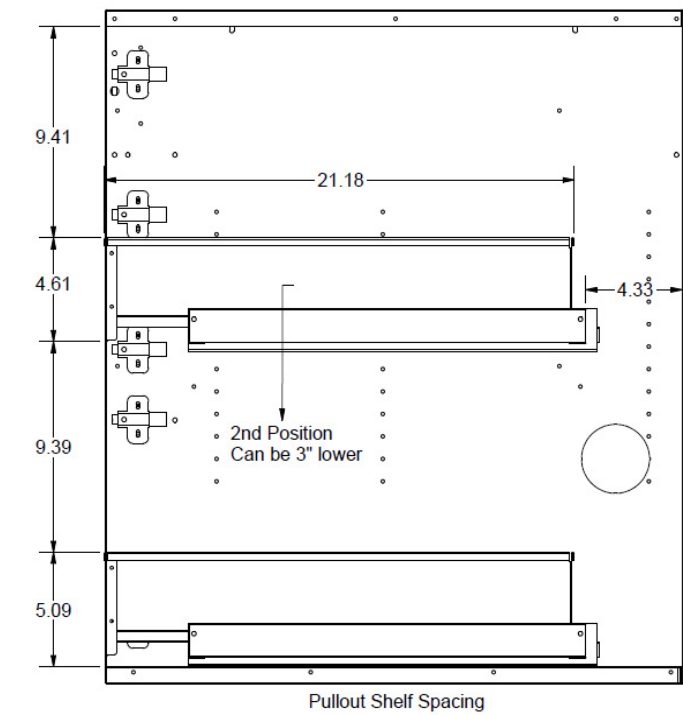
Product Description
OSHxx: Half-Depth Shelves, 15" deep.
27" Depth SKU
OSH12
OSH15
OSH16.5 (for 33"W grill bases)
OSH18
OSH19.3 (for 58"W grill bases)
OSH20.7 (for 62"W grill bases)
OSH21
OSH24
OSH27
OSH30
OSH33
OSH36
OSH39
OSH42
OSH45
OSH48

Product Description	
OSHxxyy: Full-Depth shelves (15" or 18" deep)	
18" Depth SKU	15" Depth SKU
OSH0918	OSH0915
OSH1218	OSH1215
OSH1518	OSH1515
OSH1818	OSH1815
OSH2118	OSH2115
OSH2418	OSH2415
OSH2718	OSH2715
OSH3018	OSH3015
OSH3318	OSH3315
OSH3618	OSH3615
OSH3918	OSH3915
OSH4218	OSH4215
OSH4518	OSH4515
OSH4818	OSH4815

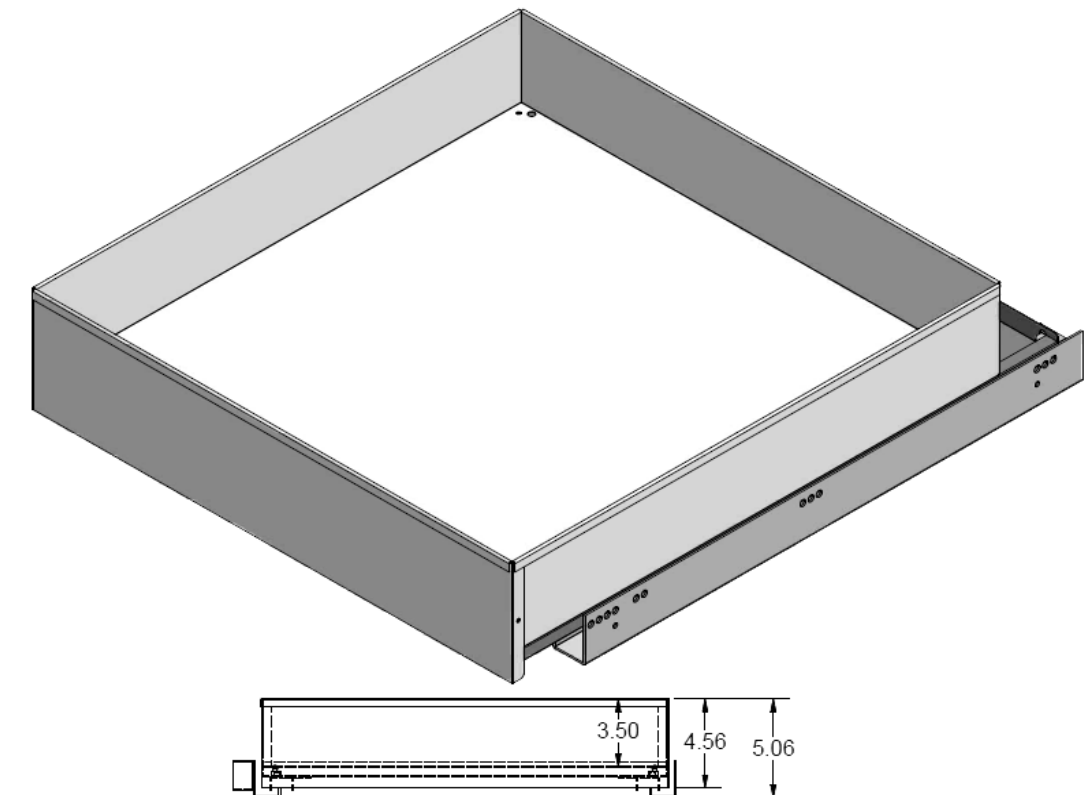
Product Description	
OSHxxyy: Full-Depth shelves (24" or 27" deep)	
27" Depth SKU	24" Depth SKU
OSH0927	OSH0924
OSH1227	OSH1224
OSH1527	OSH1524
OSH16.5-27	OSH16.5-24
OSH1827	OSH1824
OSH2127	OSH2124
OSH22.5-27	OSH22.5-24
OSH2427	OSH2424
OSH2727	OSH2724
OSH3027	OSH3024
OSH3327	OSH3324
OSH3627	OSH3624
OSH3927	OSH3924
OSH4227	OSH4224
OSH4527	OSH4524
OSH4827	OSH4824

# Cabinet Accessories - Pullout Shelving

[\\*Return to Table of Contents](#)

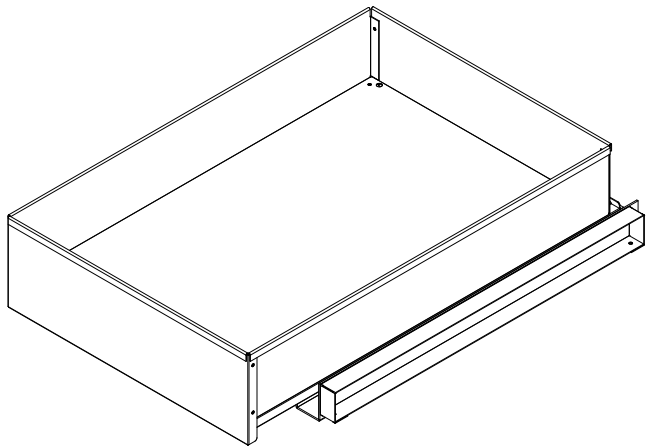


Product Description
OSHxxP: Pullout Shelf
Pullout SKU
OSH12P
OSH15P
OSH16.5P (for 33"W grill bases)
OSH18P
OSH19.3P (for 58"W grill bases)
OSH19.5P (for 39"W grill bases)
OSH20.7P (for 62"W grill bases)
OSH22.5P (for 45"W grill bases)
OSH21P
OSH24P
OSH27P
OSH30P
OSH33P
OSH36P
OSH39P
OSH42P
OSH45P
OSH48P



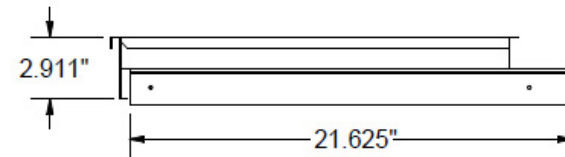
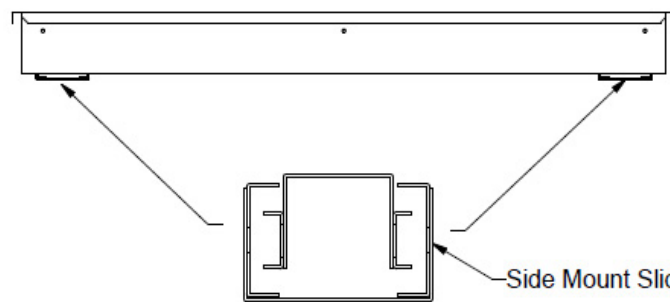
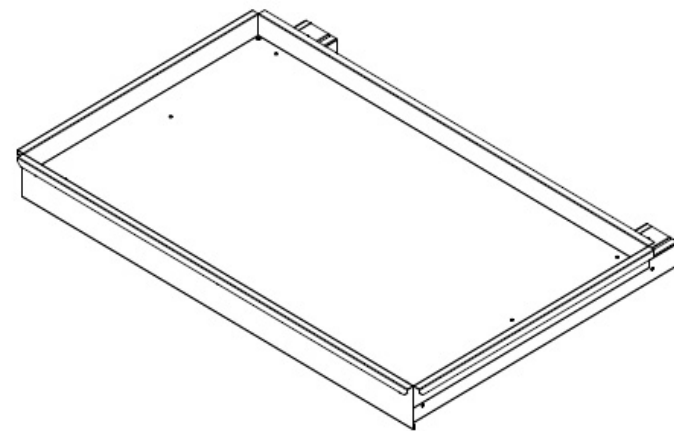
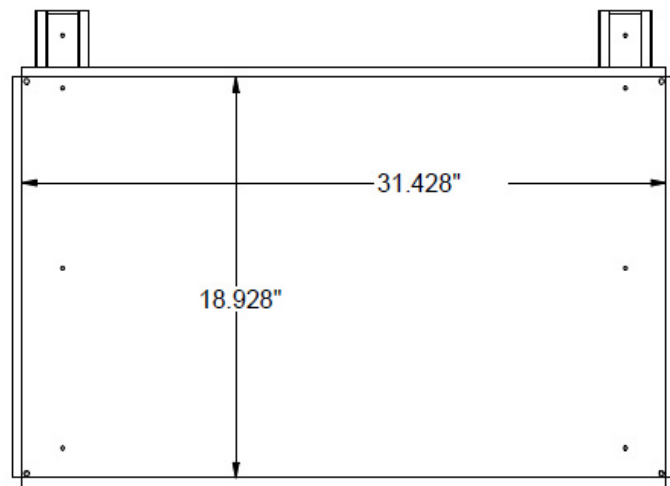
# Cabinet Accessories - Pullout Shelf for Ice Chest

[\\*Return to Table of Contents](#)



Product Description
OSHxxPCHEST: Pullout Shelf with heavy duty glides designed for ice chests, can hold up to 222 lbs.
27" and 24" Depth SKU
OSH21PCHEST
OSH24PCHEST
OSH27PCHEST
OSH30PCHEST
OSH33PCHEST
OSH36PCHEST
OSH39PCHEST
OSH42PCHEST
OSH45PCHEST
OSH48PCHEST

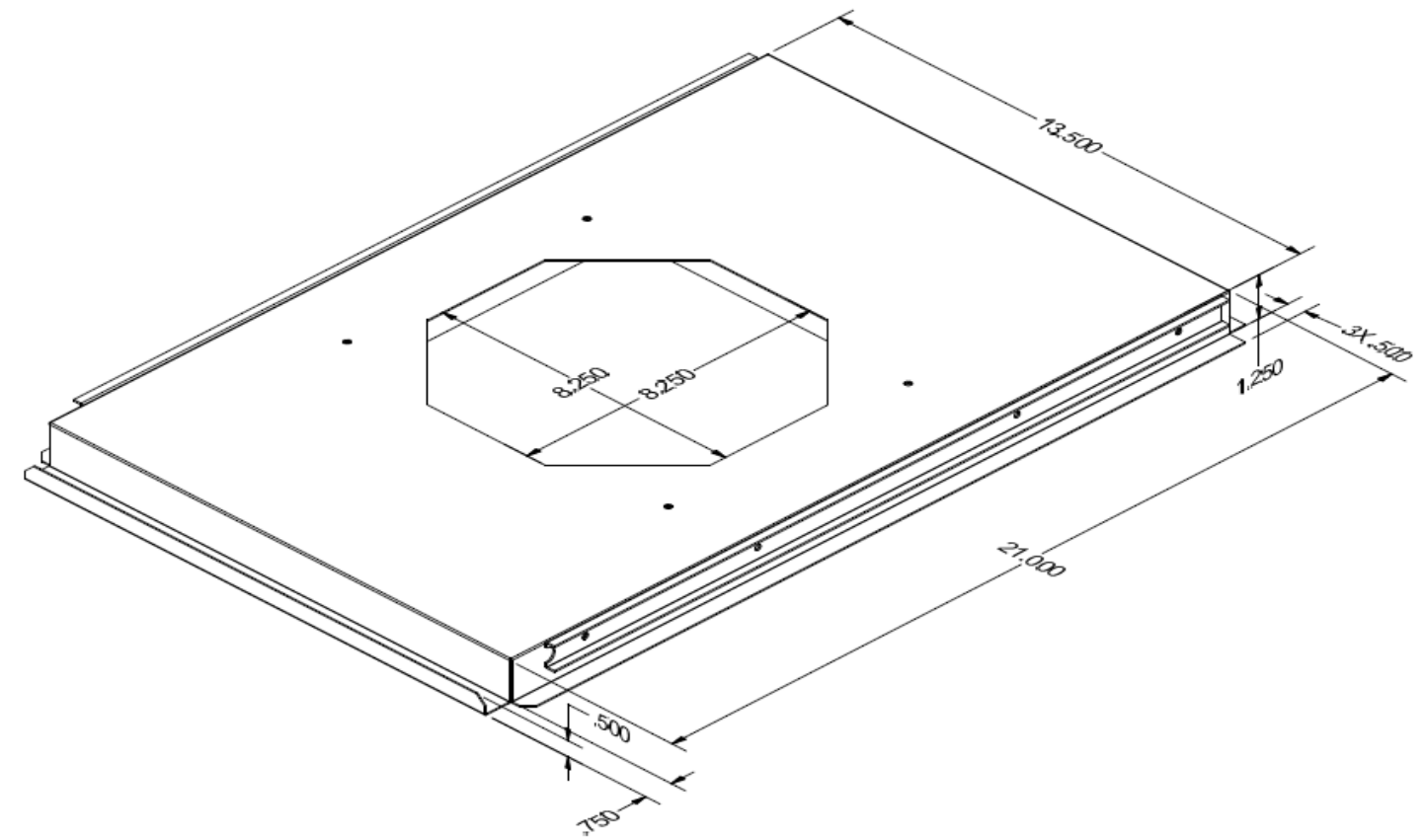
Ex. OSH36PCHEST, installs in 36"W cabinet



# Cabinet Accessories - Propane Pullout: OPPxx

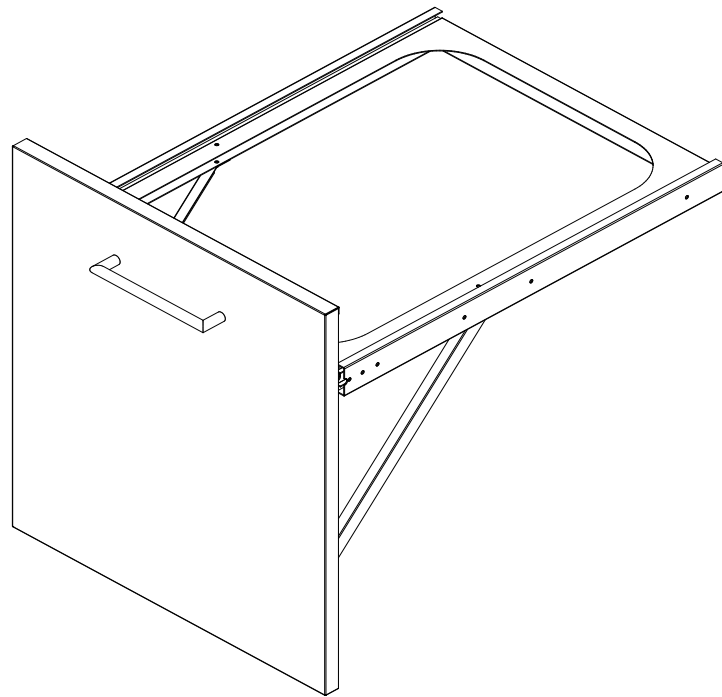
[\\*Return to Table of Contents](#)

Product Description	
OPPxx: Propane pullout accessory Designed to fit 18 - 30" wide OBB Side Burner cabinets and 33"-62"W OGB Grill Cabinets. <b>**CANNOT BE USED FOR LOW AND DEEP CABINETS!**</b>	
SKU	Description
OPP16.5	Propane Pullout for 1 side of 33" Grill Base
OPP18	Propane Pullout for 18" OBB or 36"/54" Grill Base
OPP19.33	Propane Pullout for 58" Grill cabinet
OPP20.67	Propane Pullout for 62" Grill cabinet
OPP21	Propane Pullout for 21" OBB or 1 side of 42" Grill Base
OPP22.5	Propane Pullout for 1 side of 45" Grill Base
OPP24	Propane Pullout for 24" OBB or 1 side of 48" Grill Base
OPP27	Propane Pullout for 27" OBB Side Burner Base
OPP30	Propane Pullout for 30" OBB Side Burner base

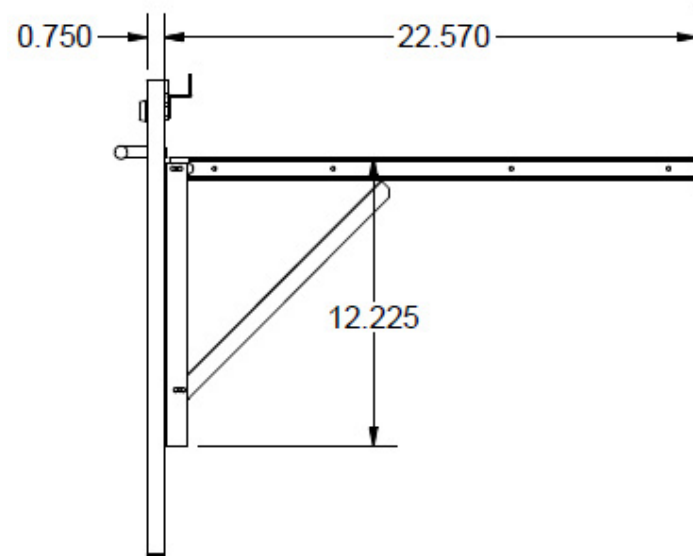


# Cabinet Accessories - Trash Pullout: OTP

[\\*Return to Table of Contents](#)



Product Description	
OTPxx and OTPxxH11: 28 quart Trash pullout accessory. Designed to fit 15 - 24" wide OBF, OBD, OBB Side Burner cabinets and 33"W, 36"W, 42"W and 48"W Grill Cabinets. Can hold up to 111 lbs.	
SKU	Description
OTP15	Single Trash for 15" cabinet or 1 side of 30" Grill cabinet
OTP15H11	Single Trash for 15" cabinet or 1 side of 30" Grill cabinet, for 11"H shelf
OTP16.5	Single Trash for 1 side of 33" Grill cabinet
OTP16.5H11	Single Trash for 1 side of 33" Grill cabinet, for 11"H shelf
OTP18	Double Trash for 18" cabinet or 36" Grill - side burner
OTP18H11	Double Trash for 18" cabinet or 36" Grill - side burner, for 11"H shelf
OTP19.33	Double Trash for 58" Grill cabinet
OTP19.33H11	Double Trash for 58" Grill cabinet, for 11"H shelf
OTP 19.5	Single Trash for 1 side of 39" Grill cabinet
OTP 19.5H11	Single Trash for 1 side of 39" Grill cabinet, for 11"H shelf
OTP20.67	Double Trash for 62" Grill cabinet
OTP20.67H11	Double Trash for 62" Grill cabinet, for 11"H shelf
OTP21	Double Trash for 21" cabinet or 1 side of 42" Grill cabinet
OTP21H11	Double Trash for 21" cabinet or 1 side of 42" Grill cabinet, for 11"H shelf
OTP 22.5	Single Trash for 1 side of 45" Grill cabinet
OTP 22.5H11	Single Trash for 1 side of 45" Grill cabinet, for 11"H shelf
OTP24	Double Trash
OTP24H11	Double Trash, for 11"H shelf
OTP27	Double Trash
OTP27H11	Double Trash, for 11"H shelf
OTP30	Double Trash
OTP30H11	Double Trash, for 11"H shelf
OTP33	Double Trash
OTP33H11	Double Trash, for 11"H shelf



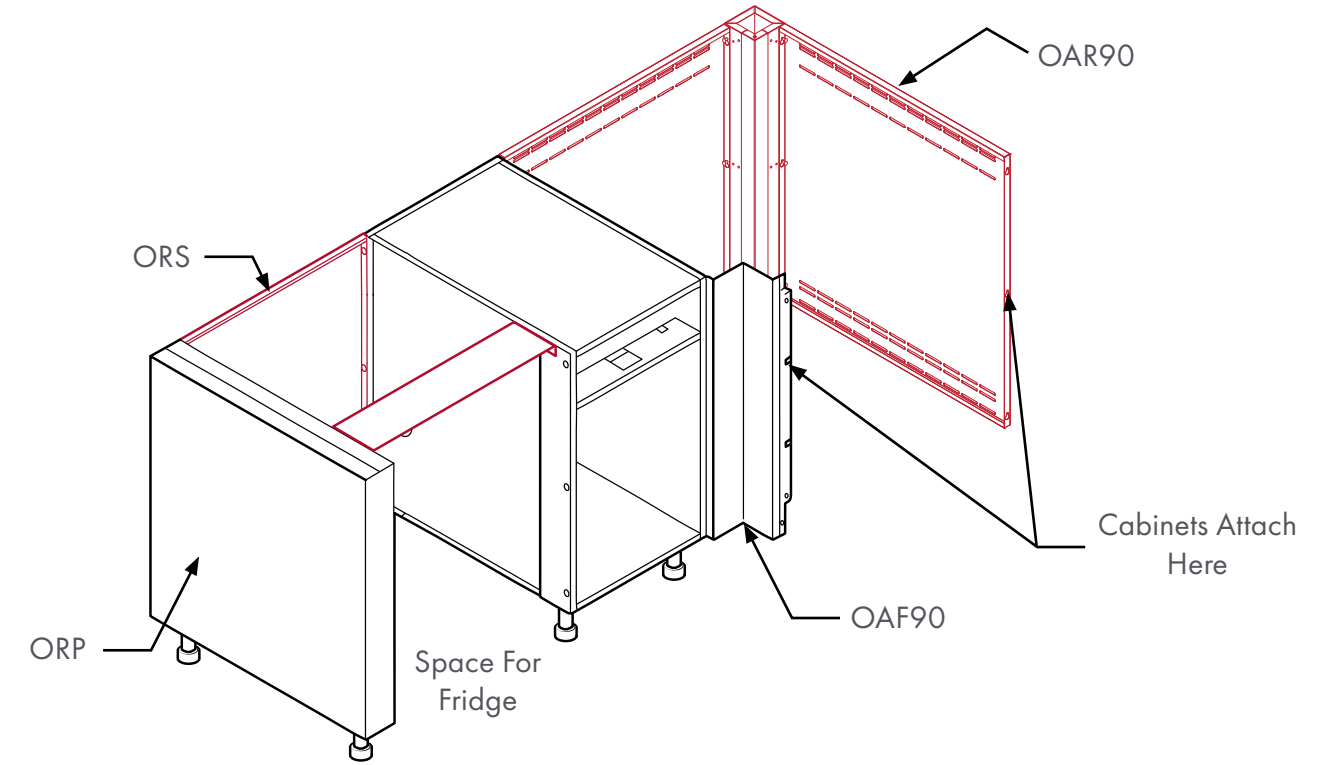
Note: optional lock shown at top on trash pullout image.

# Cabinet Accessories - Undercounter Appliance Parts

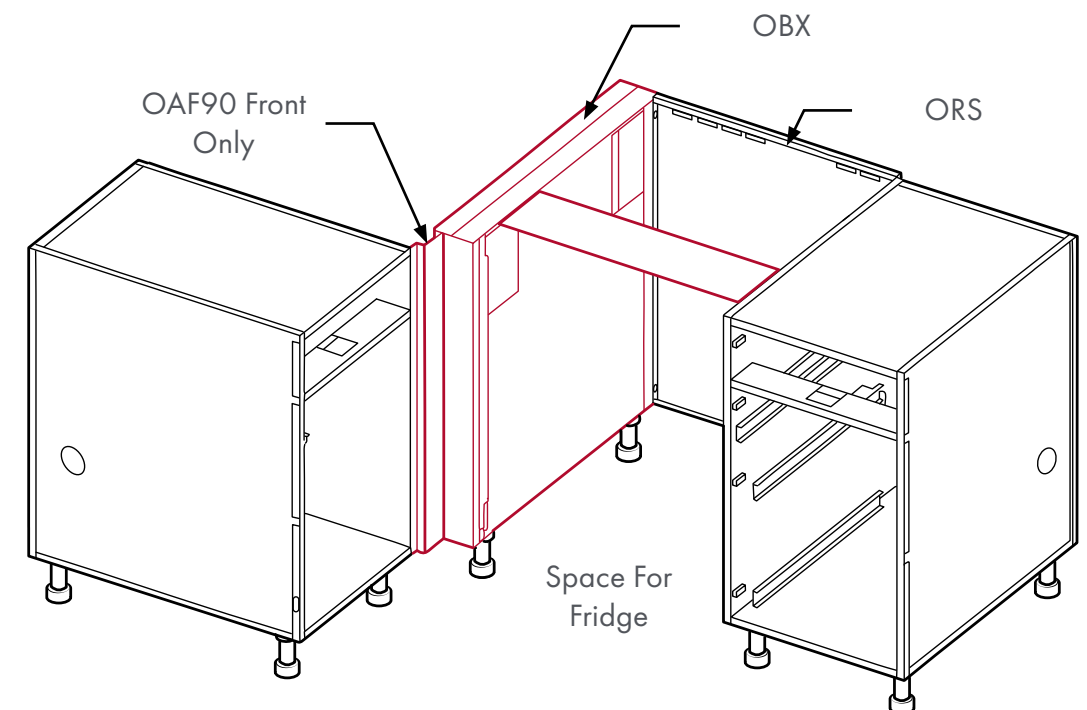
[\\*Return to Table of Contents](#)

We offer a variety of different options for designing corners, void spaces, and undercounter appliance areas.

See example below for how to fill a corner void to place refrigerator at end of run.



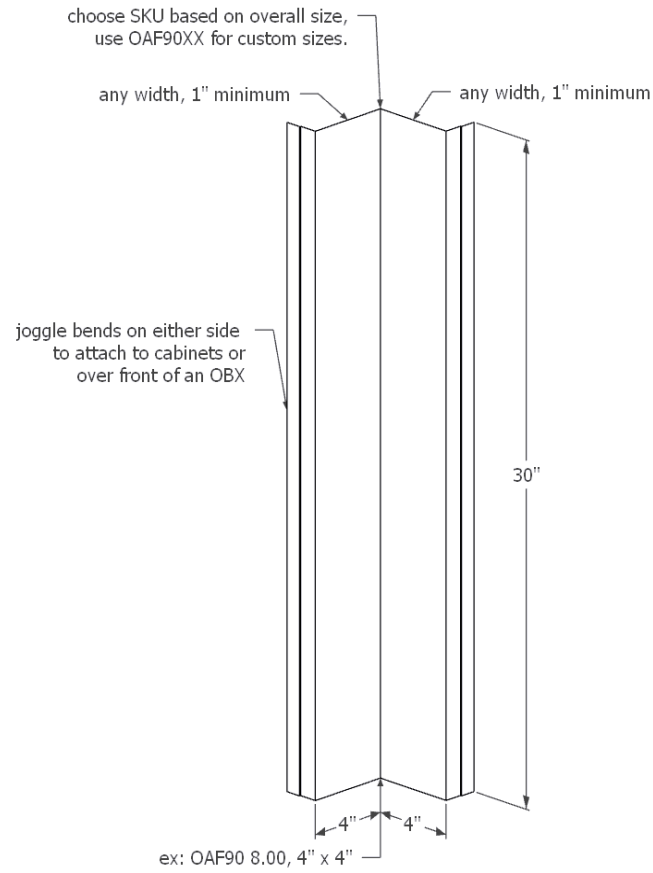
Example of how to place refrigerator next to corner.



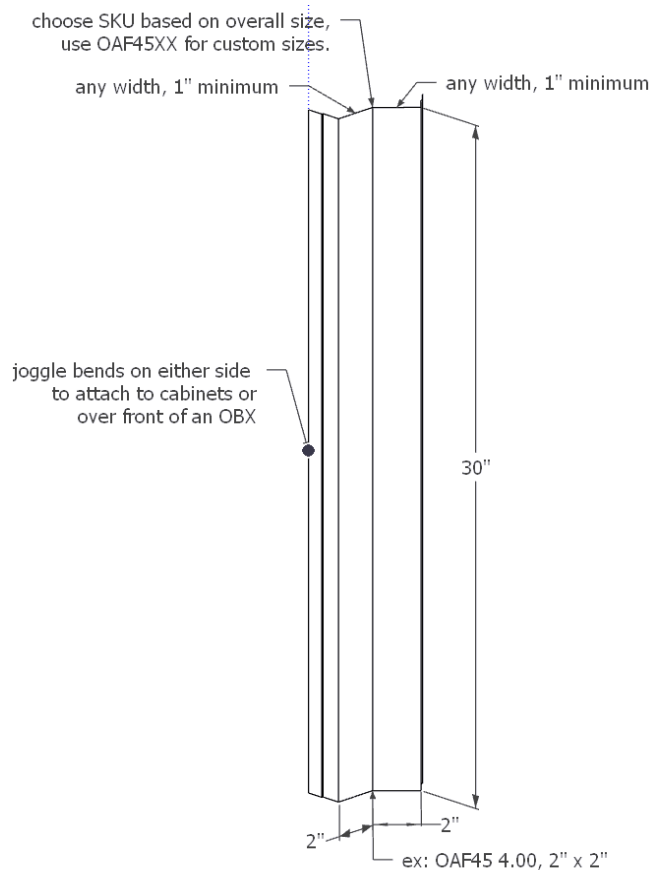


# Cabinet Accessories - Front Corner Fillers: OAF90/45xx

[\\*Return to Table of Contents](#)



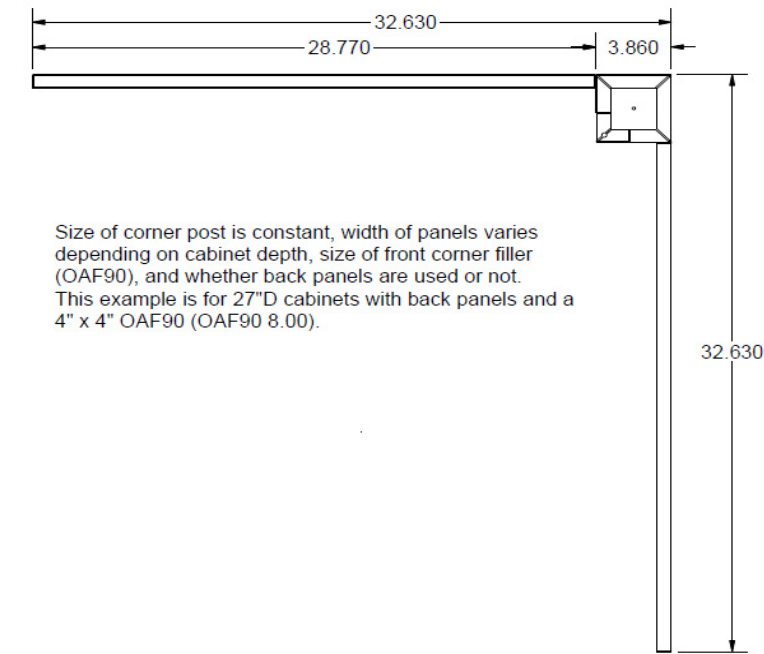
Product Description
OAF90: 90 degree front base corner filler, sits flush with door/drawer faces, attaches to two base cabinets, OBX columns, or a combination of the two depending on your design. SKUs are designated by overall filler width, specify each side of bend. 2"W overall minimum (1" minimum on either side of bend), available in 1/8" increments as needed.
Note: If an OBX is used at corner for creating an undercounter appliance space, the OAF90 will attach over the OBX (see Sample Layouts sheet at the beginning of this section).
Example: OAF90 8.00, 4" x 4"
Example: OAF90 9.50, 3.5" x 6"
SKU
OAF90XX



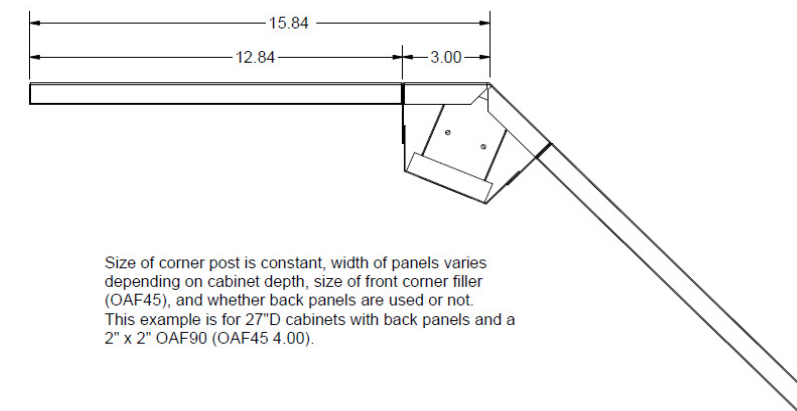
Product Description
OAF45: 45 degree front base corner filler, sits flush with door/drawer faces, attaches to two base cabinets, OBX columns, or a combination of the two depending on your design. SKUs are designated by overall filler width, specify each side of bend. 2"W overall minimum (1" minimum on either side of bend), available in 1/8" increments as needed.
Note: If an OBX is used at corner for creating an undercounter appliance space, the OAF45 will attach over the OBX (see Sample Layouts sheet at the beginning of this section).
Example: OAF45 4.00, 2" x 2"
Example: OAF45 7.25, 4.125" x 3.125"
SKU
OAF45XX

# Cabinet Accessories - Corner Void Support System: OAR90xx

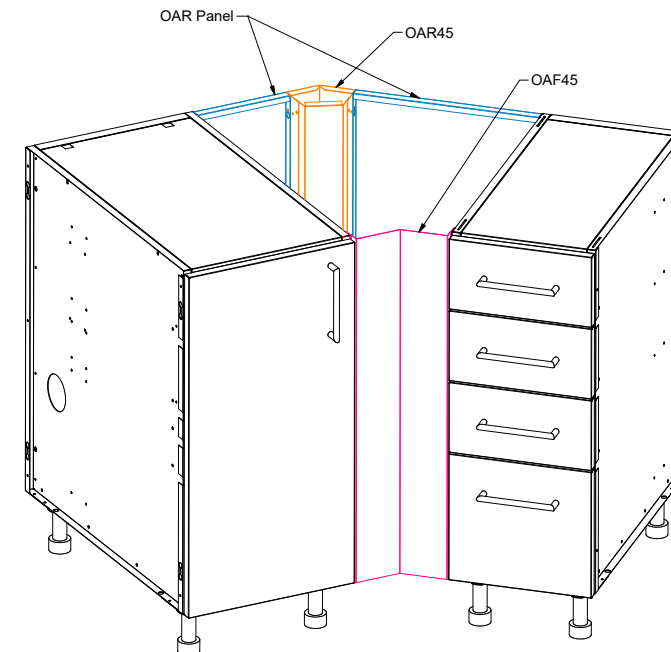
[\\*Return to Table of Contents](#)



Product Description	
OAR90: Rear corner support column with two back panels to attach in void where OAF90 front base corner filler is used. Post size is constant, panel sizes are based on front base corner filler size (OAF90). Single adjustable leg on column to match those on cabinetry, can be upgraded to SSLEG.	
27" Depth SKU	Description
OAR90XX NO VENT	Solid Panels
OAR90XX VENT	Vented Panels
OAR90XX EQUAL BP VENT	galvanized and vented panels, for use with Equal Back Panels and Extended Back Panels

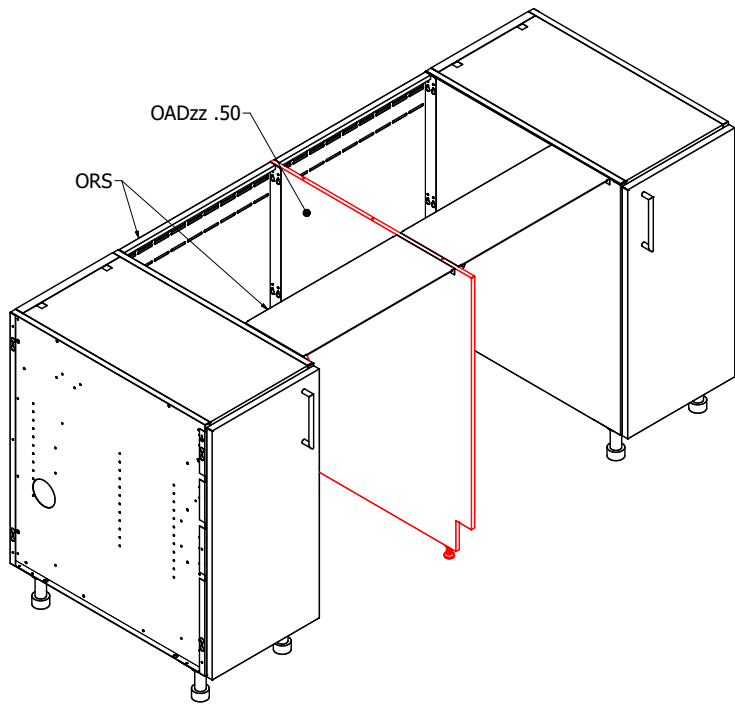


Product Description	
OAR45: Rear corner support column with two back panels to attach in void where OAF45 front base corner filler is used. Post size is constant, panel sizes are based on front base corner filler size (OAF45). Single adjustable leg on column to match those on cabinetry, can be upgraded to SSLEG.	
27" Depth SKU	Description
OAR45XX NO VENT	Solid Panels
OAR45XX VENT	Vented Panels
OAR45XX EQUAL BP VENT	Galvanized and vented panels, for use with Equal Back Panels and Extended Back Panels

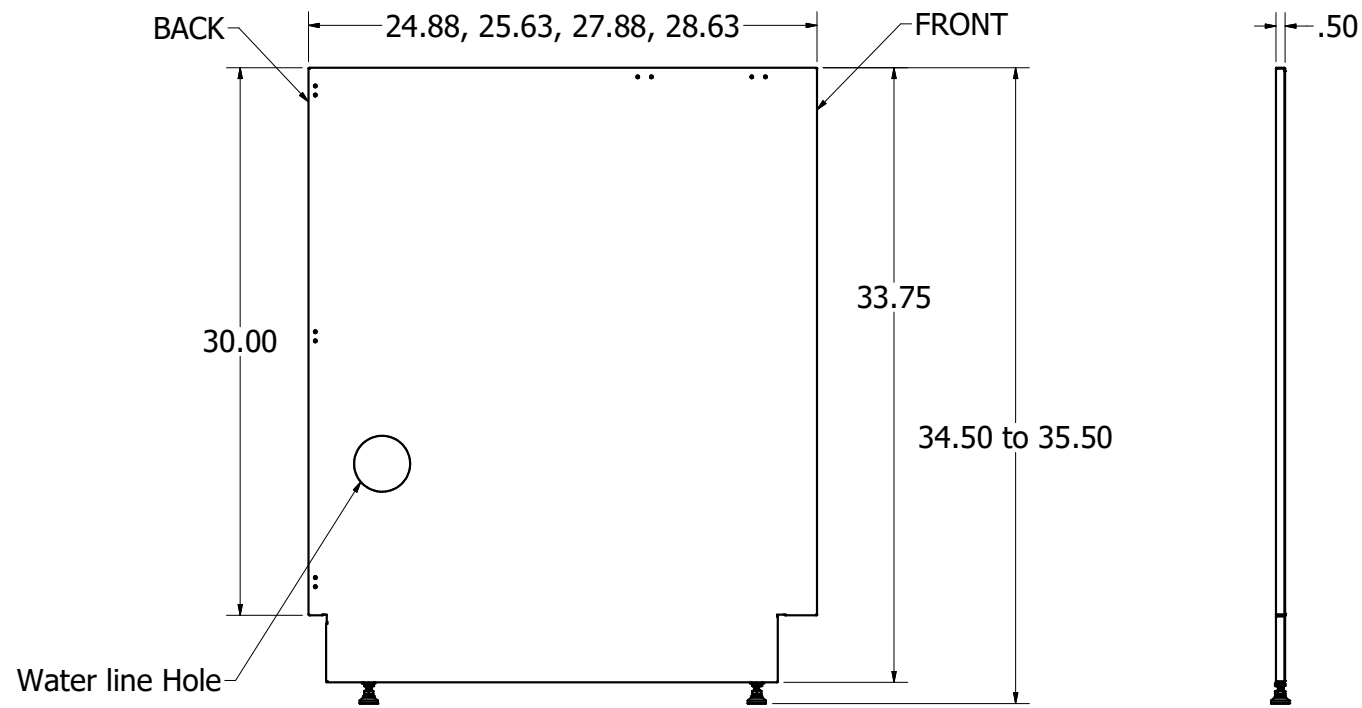


# Cabinet Accessories - OADzz .50 Outdoor Appliance Divider

[\\*Return to Table of Contents](#)

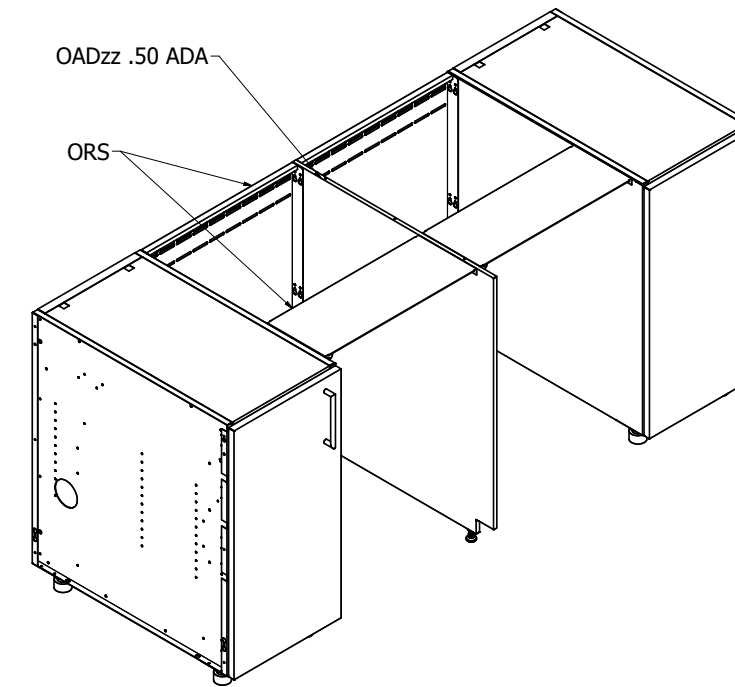


Product Description	
<p>OADzz .50: Appliance divider with notched toe. Height adjustability between 34.5-35.5" H. To be used in conjunction with ORS (refrigerator spacer). Limit two dividers between cabinets. Not compatible with an ORP at the end of a run. Requires 3/4" minimum countertop thickness. Countertop supplier to determined if additional countertop support is needed.</p> <p>Does not function as countertop support. Limit of two dividers between cabinets.</p>	
27" Depth SKU	Description
OAD24.88 .50	.5"W Appliance divider, 24.88"D to fill between undercounter appliances.
OAD25.63 .50	.5"W Appliance divider, 25.63"D to fill between undercounter appliances.
OAD27.88 .50	.5"W Appliance divider, 27.88"D to fill between undercounter appliances.
OAD28.63 .50	.5"W Appliance divider, 28.63"D to fill between undercounter appliances.

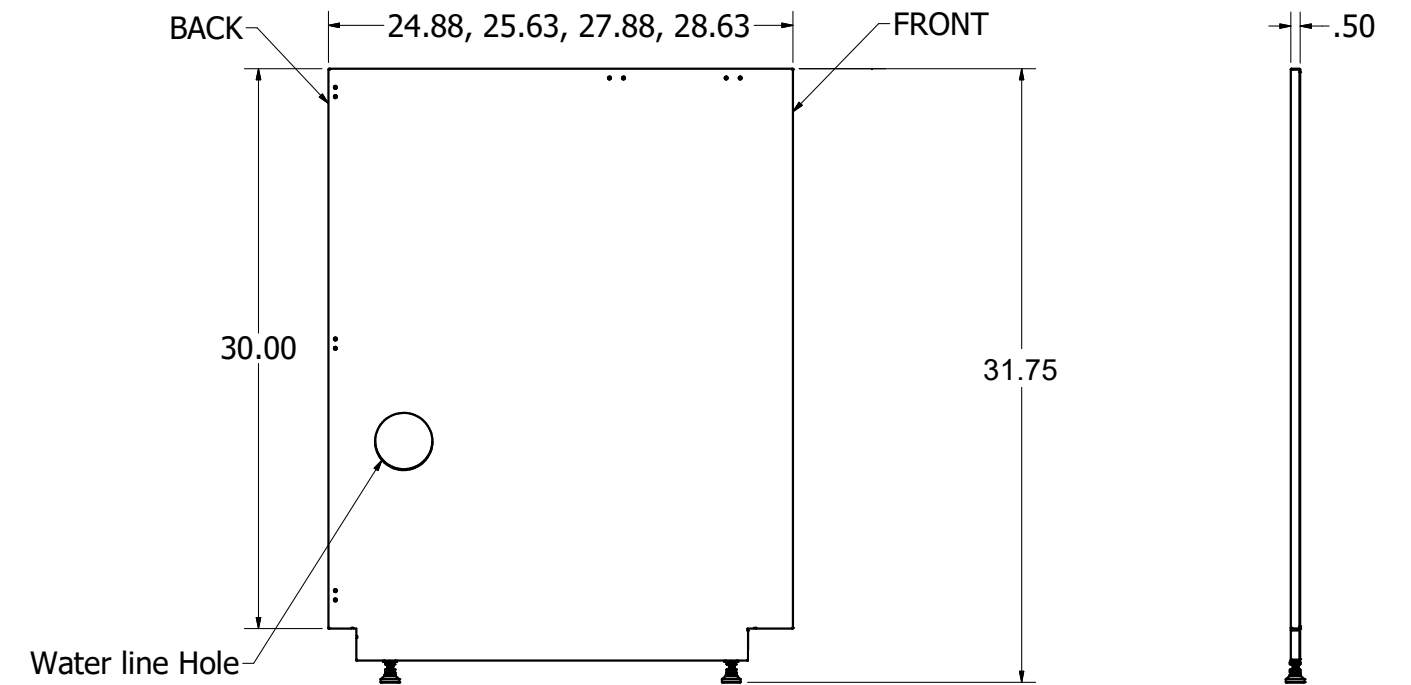


# Cabinet Accessories - OADzz .50 ADA Outdoor Appliance Divider

[\\*Return to Table of Contents](#)



Product Description	
<p>OADzz .50 ADA: ADA-compliant appliance divider with notched toe. Height adjustability between 32.5-33.5" H. To be used in conjunction with ORS (refrigerator spacer). Limit two dividers between cabinets. Not compatible with an ORP at the end of a run. Requires 3/4" minimum countertop thickness. Countertop supplier to determined if additional countertop support is needed.</p> <p>Does not function as countertop support. Limit of two dividers between cabinets.</p>	
27" Depth SKU	Description
OAD24.88 .50 ADA	.5"W Appliance divider, 24.88"D to fill between undercounter appliances.
OAD25.63 .50 ADA	.5"W Appliance divider, 25.63"D to fill between undercounter appliances.
OAD27.88 .50 ADA	.5"W Appliance divider, 27.88"D to fill between undercounter appliances.
OAD28.63 .50 ADA	.5"W Appliance divider, 28.63"D to fill between undercounter appliances.



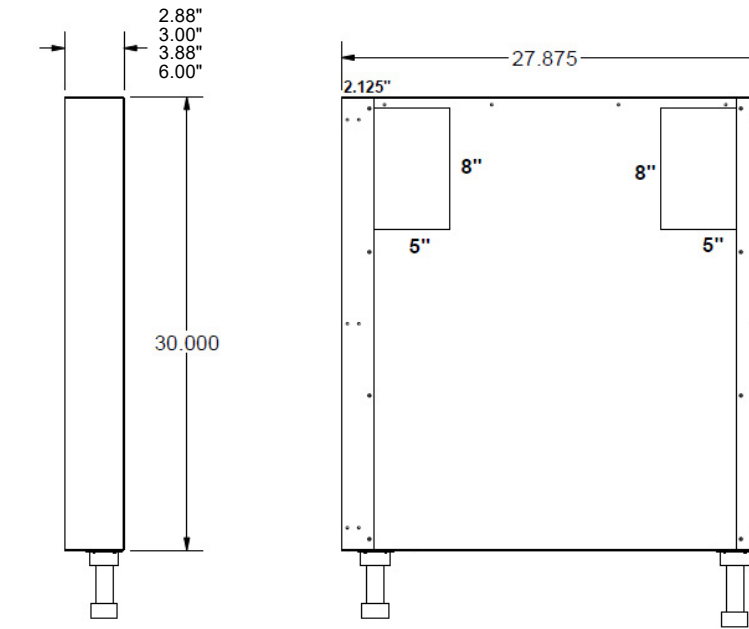
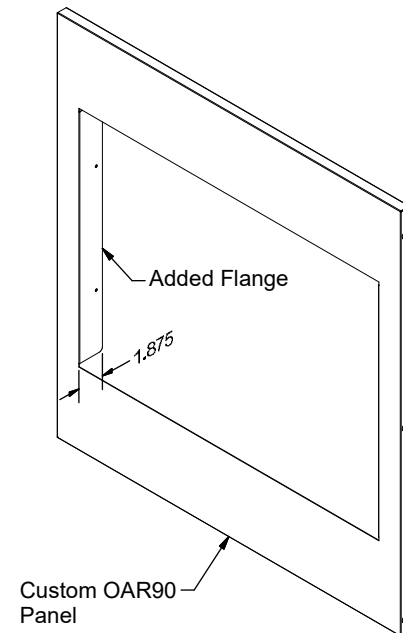
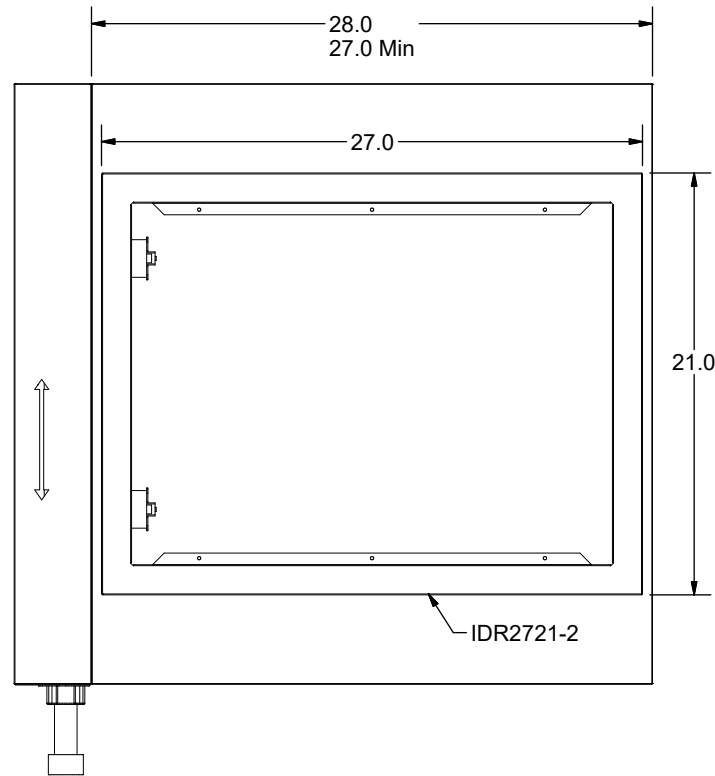
**OADzz .50 ADA**

Feet are adjustable to ensure level installation

# Cabinet Accessories - OAR90XX Insert No Vent/Vent Access

[\\*Return to Table of Contents](#)

Product Description	
<p>OAR90xx Insert No Vent (or Vent) Access:                      Rear corner support column with 2 non-vented back panels to attach in void where OAF front corner filler is used. One of the back panels (specify which side in notes and on drawing) comes with an insert (IDR2721-2, 27"W x 21"H Frame, Two Flush Access Doors) installed into it for access into corner. <b>*NOTE: Insert ALWAYS comes with a slab style door. If panel size is too small for that insert, the next largest insert will be used.*</b></p>	
27" Depth SKU	Description
OAR90XX INSERT NO VENT ACCESS	Solid Panels, IDR2721-2 in one panel
OAR90XX INSERT VENT ACCESS	Vented Panels, IDR2721-2 in one panel



Note: OBX has rectangular cutouts on one side, finished on front and back only.

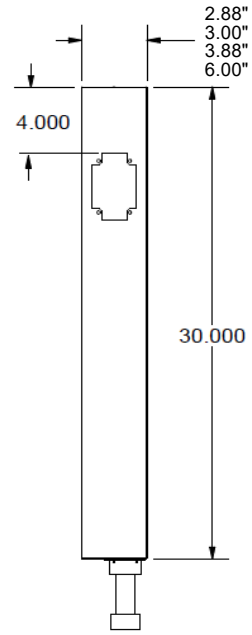
# Cabinet Accessories - Middle Box Columns: OBXzz.zz x.xx

[\\*Return to Table of Contents](#)

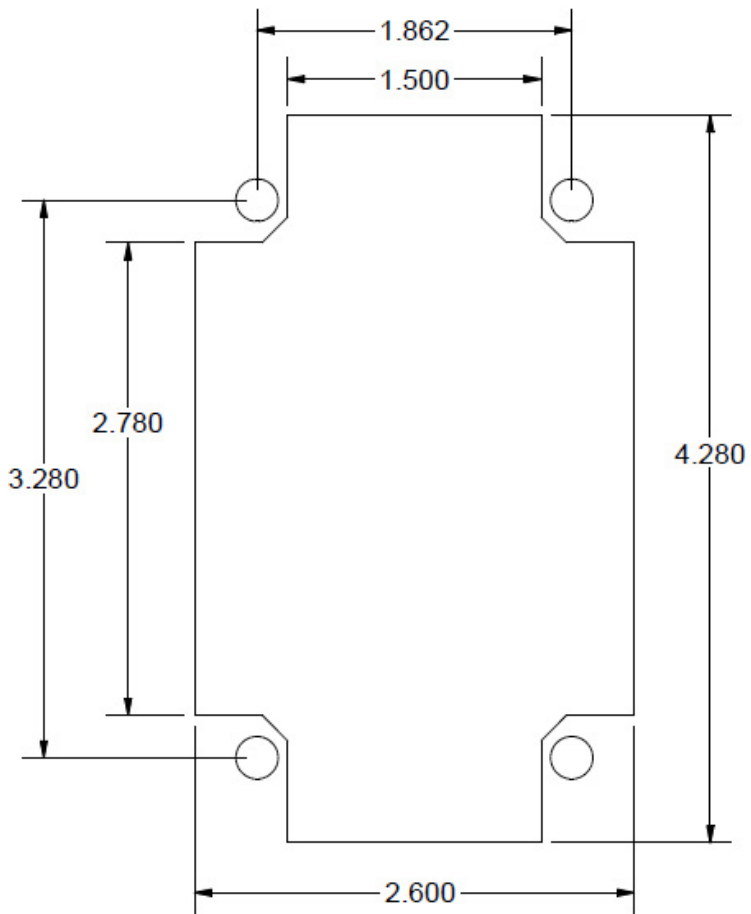
Product Description		
<p>OBXzz.zz x.xx: Column for countertop support for the middle of a run with an undercounter appliance. Attaches to a cabinet or another column via an ORS panel. Comes in two standard widths and four standard depths to match cabinets with or without back panels. Comes with two adjustable legs to match those on cabinetry.                      Example SKU: OBX27.88 2.88                      A tapered SSLEG can only be used with 3.88" widths.</p>		
SKU		
Prefix	Depth	Width
OBX	24.88	2.88
OBX	24.88	3.00
OBX	24.88	3.88
OBX	24.88	6.00
OBX	25.63	2.88
OBX	25.63	3.00
OBX	25.63	3.88
OBX	25.63	6.00
OBX	27.88	2.88
OBX	27.88	3.00
OBX	27.88	3.88
OBX	28.63	2.88
OBX	28.63	3.00
OBX	28.63	3.88
OBX	29.88	2.88
OBX	29.88	3.88
OBX	29.88	6.00
OBX	30.63	2.88
OBX	30.63	3.88
OBX	30.63	6.00
OBX	30.93	2.88

# Cabinet Accessories - ORP with electrical cutout

[\\*Return to Table of Contents](#)

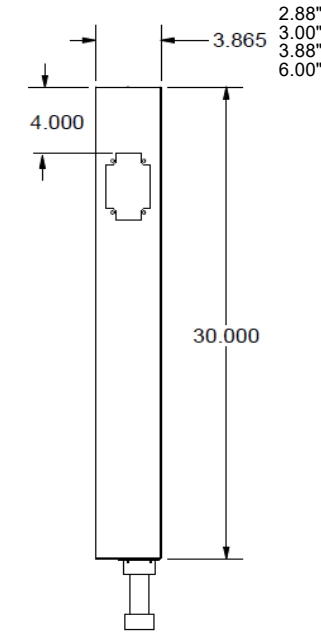


Product Description		
ORPzz.zz x.xx(L or R) ELEC:		
Same as standard ORP, but with a standard GFCI electrical cutout located 4" down from the top of the column and centered on front. Left and Right SKUs as cutout negates reversibility.		
*GFCI Outlet Box not provided.		
Example SKU: ORP27.88 3.88 ELEC		
SKU		
Prefix	Depth	Width/Side
ORP	24.88	3.88L ELEC
ORP	24.88	3.88R ELEC
ORP	24.88	6.00L ELEC
ORP	24.88	6.00R ELEC
ORP	25.63	3.88L ELEC
ORP	25.63	3.88R ELEC
ORP	25.63	6.00L ELEC
ORP	25.63	6.00R ELEC
ORP	27.88	3.88L ELEC
ORP	27.88	3.88R ELEC
ORP	27.88	6.00L ELEC
ORP	27.88	6.00R ELEC
ORP	28.63	3.88L ELEC
ORP	28.63	3.88R ELEC
ORP	28.63	6.00L ELEC
ORP	28.63	6.00R ELEC
ORP	29.88	3.88L ELEC
ORP	29.88	3.88R ELEC
ORP	30.63	3.88L ELEC
ORP	30.63	3.88R ELEC
ORP	35.88	3.88L ELEC
ORP	35.88	3.88R ELEC
ORP	35.88	6.00L ELEC
ORP	35.88	6.00R ELEC
ORP	36.63	3.88L ELEC
ORP	36.63	3.88R ELEC
ORP	36.63	6.00L ELEC
ORP	36.63	6.00R ELEC

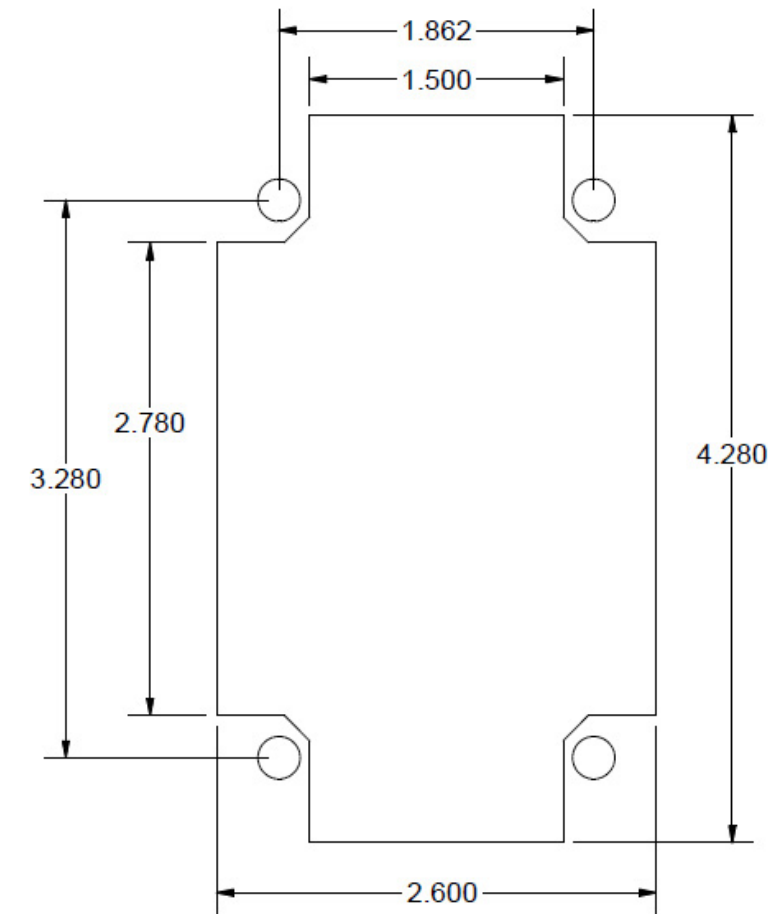


# Cabinet Accessories - OBX with electrical cutout

[\\*Return to Table of Contents](#)

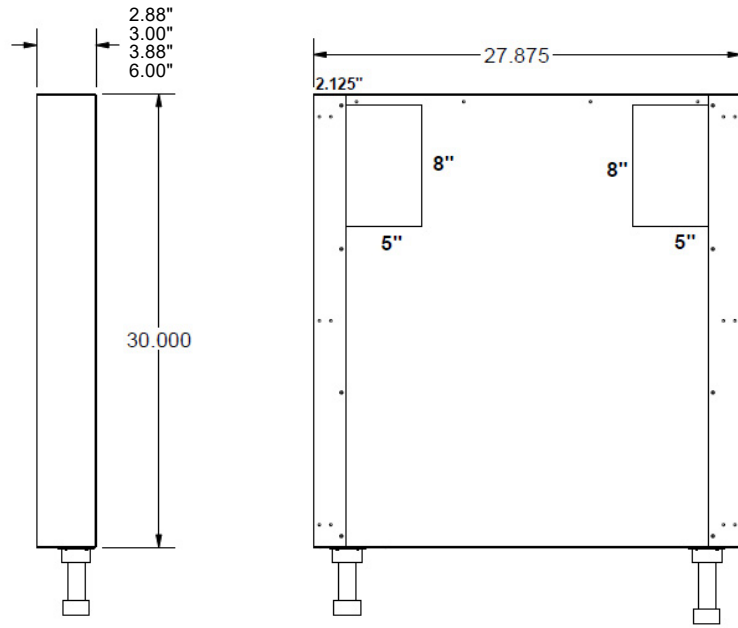


Product Description		
OBXzz.zz x.xx ELEC:		
Same as standard OBX, but with a standard GFCI electrical cutout located 4" down from the top of the column and centered on front.		
*GFCI Outlet Box not provided.		
Example SKU: OBX27.88 3.88 ELEC		
SKU		
Prefix	Depth	Width
OBX	24.88	3.88 ELEC
OBX	24.88	6.00 ELEC
OBX	25.63	3.88 ELEC
OBX	25.63	6.00 ELEC
OBX	27.88	3.88 ELEC
OBX	27.88	6.00 ELEC
OBX	28.63	3.88 ELEC
OBX	28.63	6.00 ELEC
OBX	29.88	3.88 ELEC
OBX	30.63	3.88 ELEC



# Cabinet Accessories - End Support Columns: ORPzz.zz x.xx

[\\*Return to Table of Contents](#)

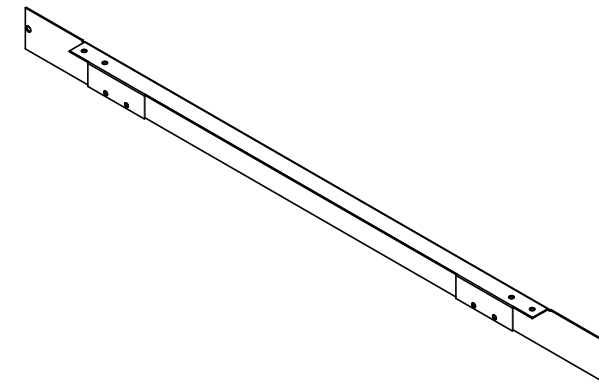


Note: ORP has rectangular cutouts on one side and is finished on front, back, and one side. Reversible for application on either end of a run.

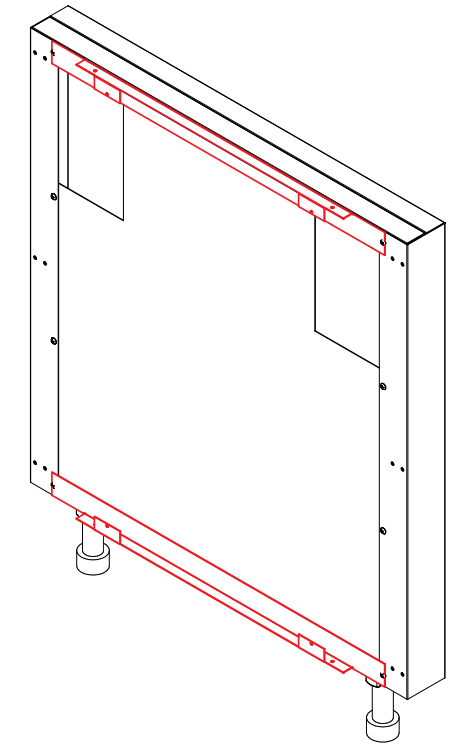
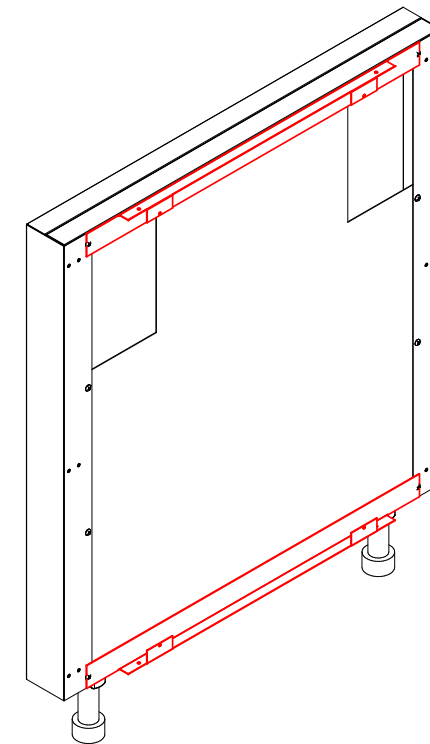
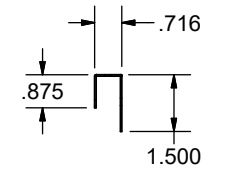
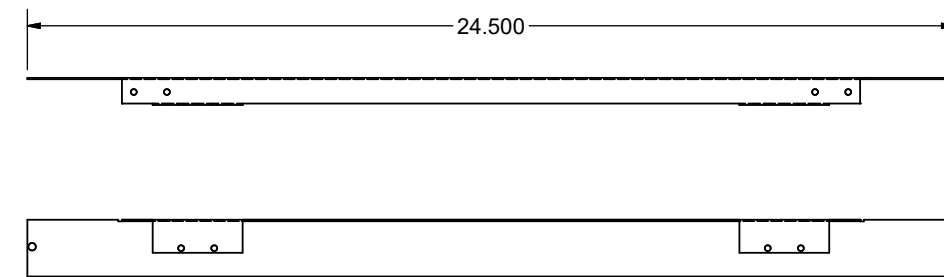
Product Description		
ORPzz.zz x.xx: Column for countertop support with one finished side for ending a run with an undercounter appliance. Attaches to a cabinet or another column via an ORS panel. Comes in two standard widths and four standard depths to match cabinets with or without back panels. Can be upgraded to match door styles on finished side. Comes with two adjustable legs to match those on cabinetry. Example SKU: ORP27.88 2.88 A tapered SSLEG can only be used with 3.88" widths.		
SKU		
Prefix	Depth	Width
ORP	24.88	2.88
ORP	24.88	3.00
ORP	24.88	3.88
ORP	24.88	6.00
ORP	25.63	2.88
ORP	25.63	3.00
ORP	25.63	3.88
ORP	25.63	6.00
ORP	27.88	2.88
ORP	27.88	3.00
ORP	27.88	3.88
ORP	28.63	2.88
ORP	28.63	3.00
ORP	28.63	3.88
ORP	29.88	2.88
ORP	29.88	3.88
ORP	29.88	6.00
ORP	30.63	2.88
ORP	30.63	3.88
ORP	30.63	6.00
ORP	30.93	2.88
ORP	35.88	2.88
ORP	35.88	3.88
ORP	35.88	6.00
ORP	36.63	2.88
ORP	36.63	3.88
ORP	36.63	6.00

# Cabinet Accessories - ORP Cabinet Connector xx

[\\*Return to Table of Contents](#)



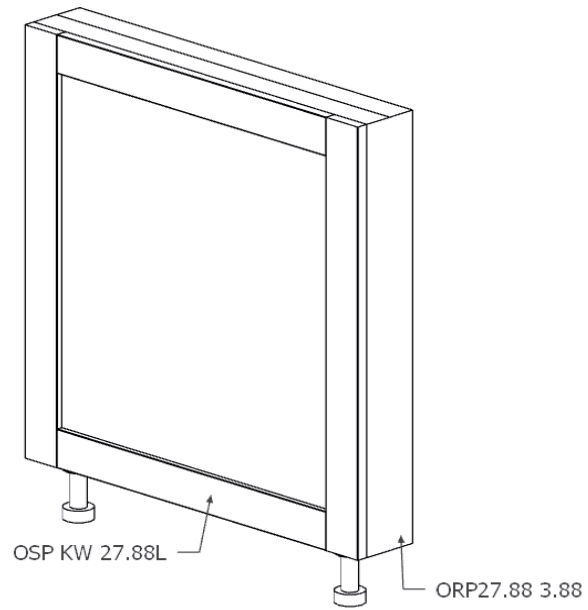
Product Description	
ORP Cabinet Connector: Bracket to connect an ORP or OBX countertop support column to adjacent cabinet at end of a run.	
SKU	
Prefix	Depth
ORP Cabinet Connector	24.88
ORP Cabinet Connector	25.63
ORP Cabinet Connector	27.88
ORP Cabinet Connector	28.63



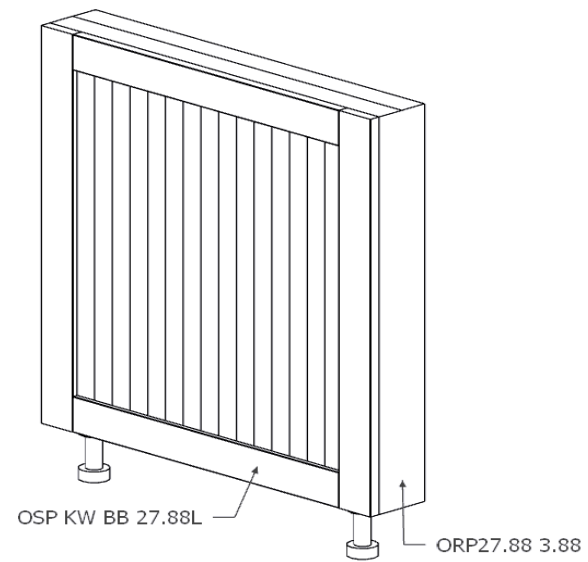


# Cabinet Accessories - ORP Decorative Side Panels: OSP xx yy

[\\*Return to Table of Contents](#)



ORP with Key West Panel side panel



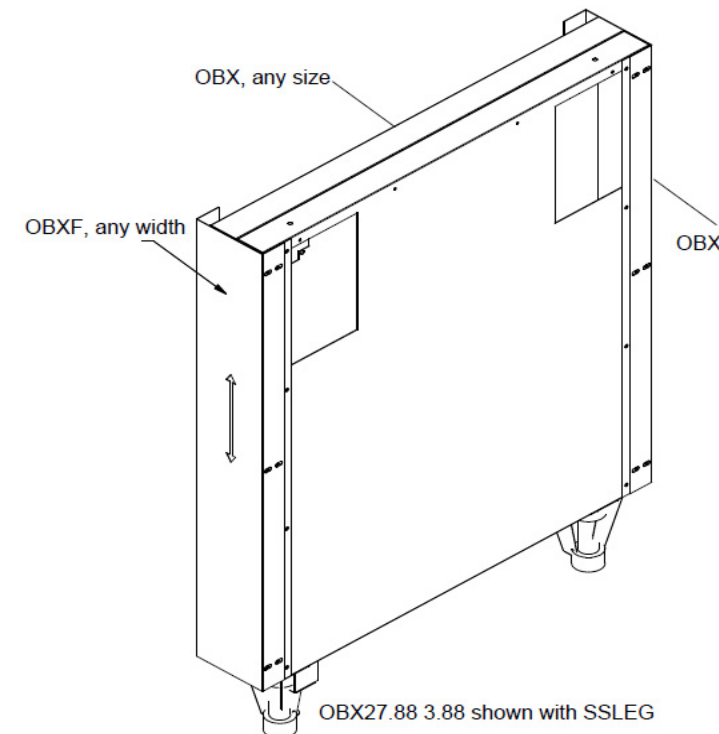
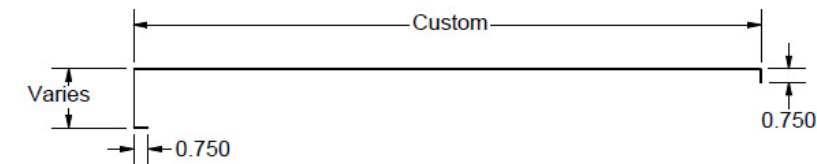
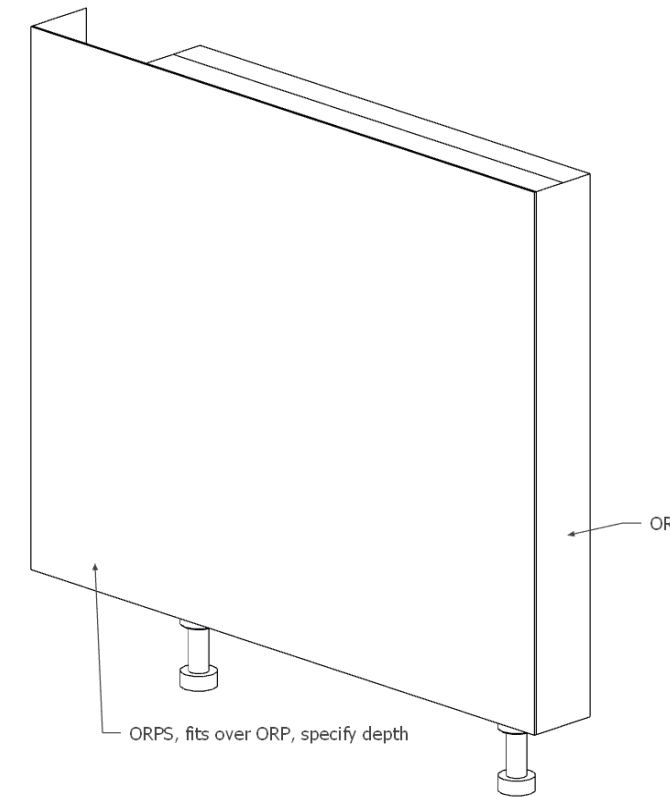
ORP with Key West Beadboard side panel

Product Description		
OSP: Decorative side panels to match door styles are available for installation on ORP columns. These are also able to be installed on the side of cabinets to finish them.		
KW: Key West Panel		
KW SG: Key West Seaglass Center		
KW BB: Key West Beadboard		
KW LV: Key West Louvered		
VN: Venice		
PB: Palm Beach Panel		
Example SKU: OSP KW BB 27.88		
SKU		
Prefix	Style	Widths
OSP	KW	24.88, 25.63, 27.88, 28.63
OSP	KW SG	24.88, 25.63, 27.88, 28.63
OSP	KW BB	24.88, 25.63, 27.88, 28.63
OSP	KW LV	24.88, 25.63, 27.88, 28.63
OSP	VN	24.88, 25.63, 27.88, 28.63
OSP	PB	24.88, 25.63, 27.88, 28.63

# Cabinet Accessories - ORP Depth Skin: ORPS

[\\*Return to Table of Contents](#)

## OBX Width Skin: OBXF

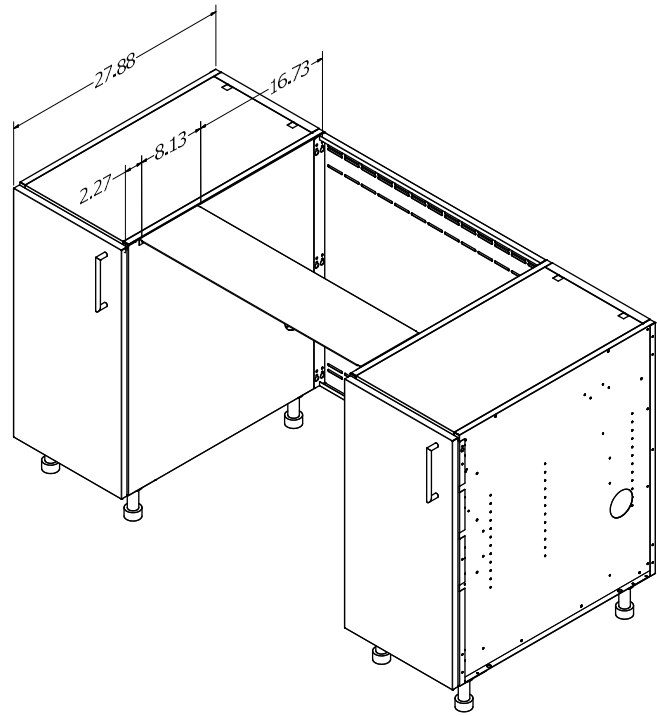


Product Description	
ORPS: Left/Right skin that connects over an ORP to increase depth. <b>NOTE: Custom sizes created as needed. List width of ORP that the skin is attaching to followed by the depth increase.</b> <b>Example: ORPS27.88 2.88 (=ORP width) 3.00 (=depth increase)</b>	
27" Depth SKU	Description
ORPSXX XX XXL	Custom Left skin to connect to increase depth of ORP (first two dimensions are ORP depth and width).
ORPSXX XX XXR	CUSTOM Right skin to connect to increase depth of ORP (first two dimensions are ORP depth and width).

Product Description	
OBXF: Skins that connect over the front and back of an OBX to increase width. Order 2 if a filler is needed for both the front and back of the OBX. <b>NOTE: Available in any width in 1/8" increments. Some SKUs already programmed, see table below. Use OBXF XX for custom sizes as needed.</b>	
27" Depth SKU	Description
OBXF 3.00	3.00"W Skin
OBXF 3.50	3.50"W Skin
OBXF 3.88	3.88"W Skin
OBXF 4.75	4.75"W Skin
OBXF 5.25	5.25"W Skin
OBXF 5.38	5.38"W Skin
OBXF 5.63	5.63"W Skin
OBXF 5.88	5.88"W Skin
OBXF 6.00	6.00"W Skin
OBXF 6.25	6.25"W Skin
OBXF 7.25	7.25"W Skin
OBXF 8.00	8.00"W Skin
OBXF XX	Custom Width Skin

# Cabinet Accessories - Undercounter Appliance Spacers: ORS

[\\*Return to Table of Contents](#)



**Product Description**

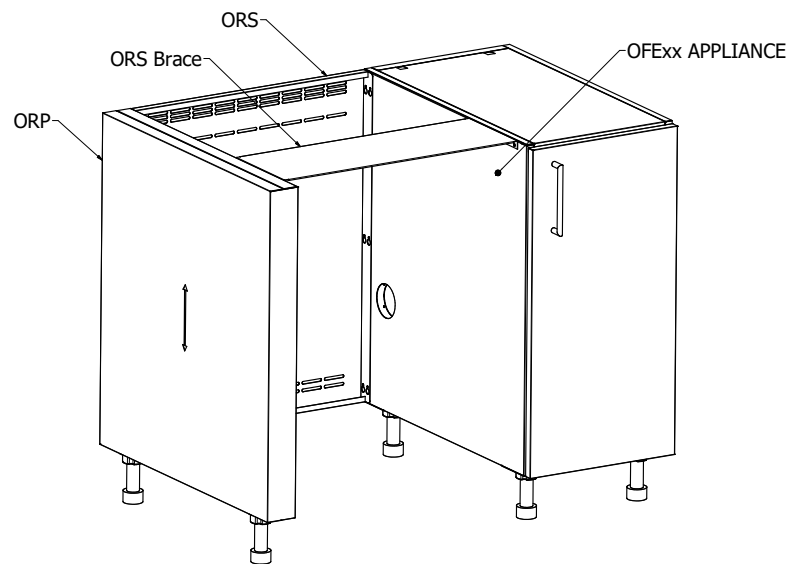
ORSxx: Rear vented spacer panel used to "lock-in" exact size opening for undercounter appliances. Used as a back panel for undercounter appliance space when needed.

Available in 1/8" increments, custom widths available, contact Sales for information. Brace is 8" deep and matches width of spacer.

Non-Vented versions of all sizes are available.

Attaches between two cabinets, two ORP or OBX columns, or a cabinet and ORP or OBX.

Vented SKU	Non-Vented SKU
ORS15	ORS15 NV
ORS15.25	ORS15.25 NV
ORS15.50	ORS15.50 NV
ORS18	ORS18 NV
ORS18.25	ORS18.25 NV
ORS20.25	ORS20.25 NV
ORS20.50	ORS20.50 NV
ORS20.75	ORS20.75 NV
ORS21	ORS21 NV
ORS21.25	ORS21.25 NV
ORS21.75	ORS21.75 NV
ORS22	ORS22 NV
ORS22.25	ORS22.25 NV
ORS23	ORS23 NV
ORS23.75	ORS23.75 NV
ORS24	ORS24 NV
ORS24.25	ORS24.25 NV
ORS24.50	ORS24.50 NV
ORS24.75	ORS24.75 NV
ORS26.25	ORS26.25 NV
ORS27.25	ORS27.25 NV
ORS28.25	ORS28.25 NV
ORS28.50	ORS28.50 NV
ORS29	ORS29 NV
ORS30	ORS30 NV
ORS30.25	ORS30.25 NV
ORS30.75	ORS30.75 NV
ORS31.50	ORS31.50 NV
ORS33	ORS33 NV
ORS36	ORS36 NV
ORS36.38	ORS36.38 NV
ORS38	ORS38 NV
ORS39	ORS39 NV
ORS39.38	ORS39.38 NV
ORS48	ORS48 NV



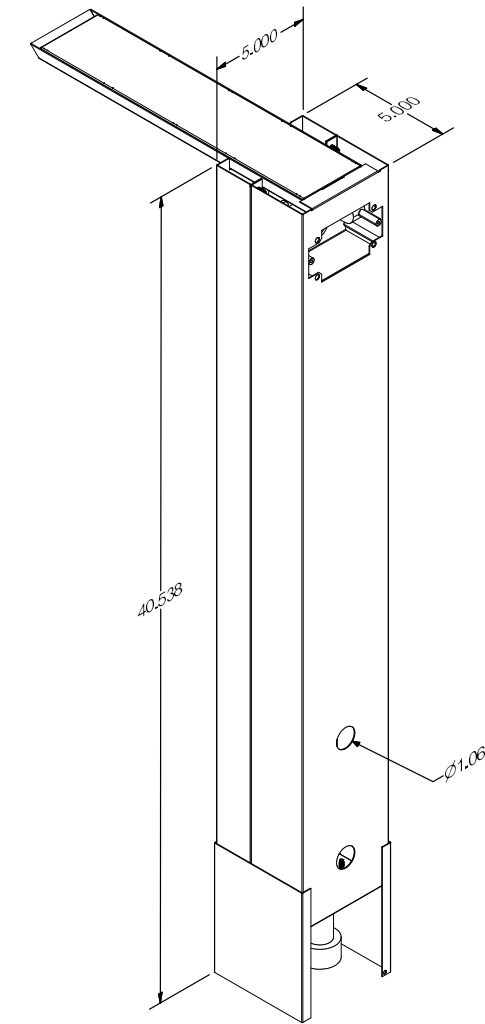
EXAMPLE: ORS24.25 used as a spacer, creating an opening for an appliance, attached between a cabinet and an ORP column.

ORS Brace ships with the ORS. OFE Appliance panel(s) must be ordered to install the brace.

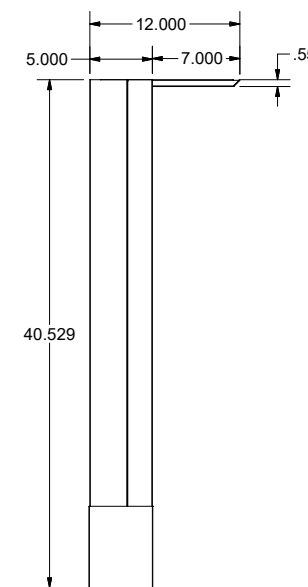
# Cabinet Accessories - Countertop Support Piers: OCPSxx

[\\*Return to Table of Contents](#)

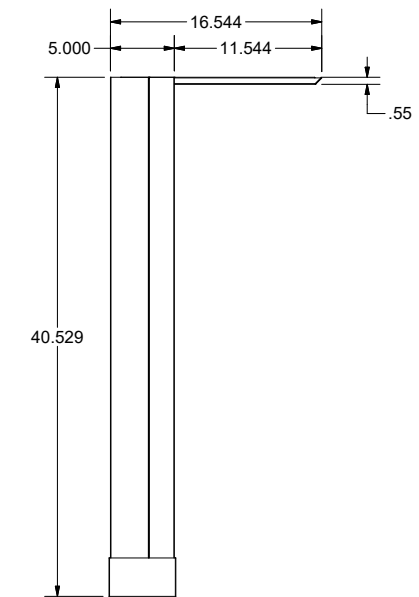
OCPS41E (electrical cutout)



Product Description
OCPS: Raised countertop support piers for creating a bar behind cabinets, 5"W x 5"D, 34.5", and 41" heights available. Comes with standard height adjustable feet and sliding bracket to cover them. Uses arm to support countertop. Does not require OCP SPAN.
*GFCI Outlet Box not provided.
Standard SKU
OCPS34.5
OCPS34.5-12
OCPS41
OCPS41-12
With Electrical Cutout SKU
OCPS41E-12
OCPS41E



OCPS41-12 (NO electrical cutout)



OCPSxx (NO electrical cutout)

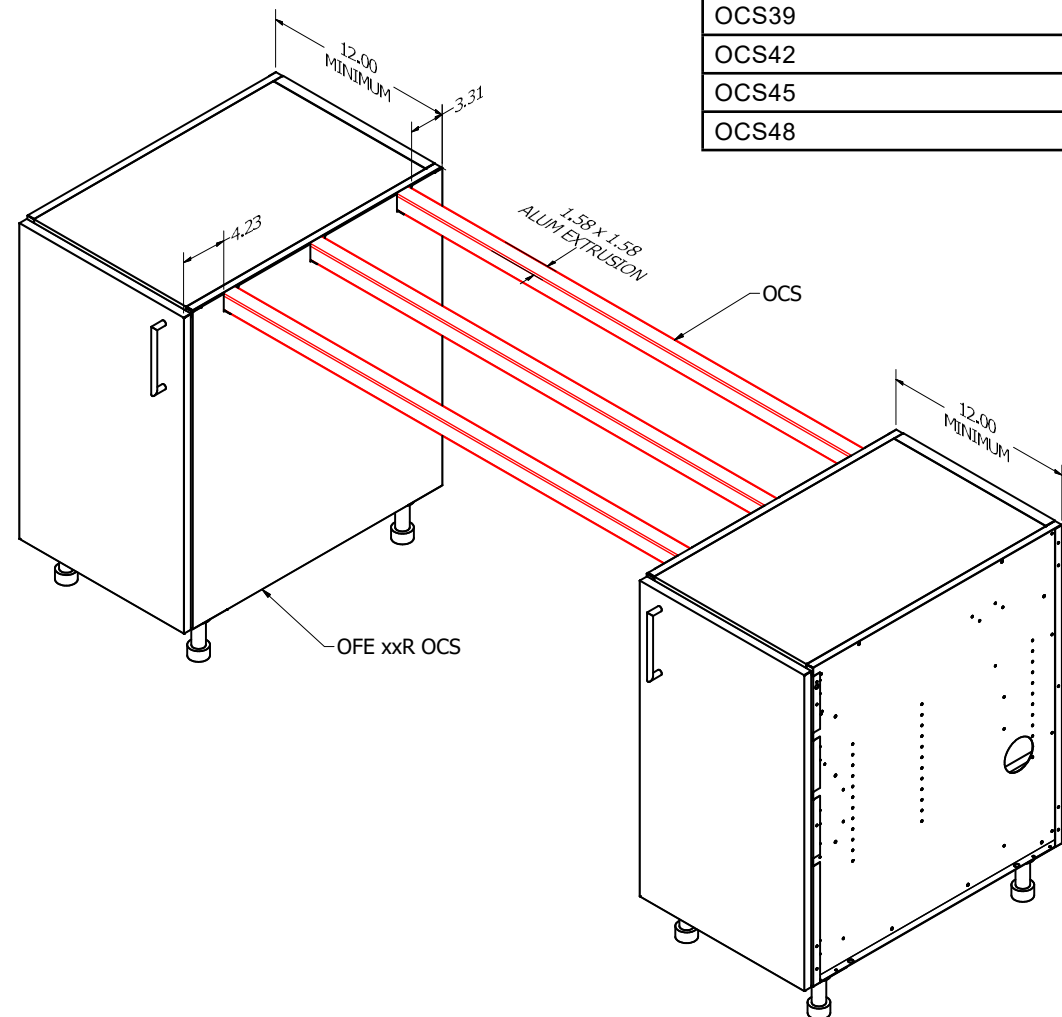
# Cabinet Accessories - Countertop Span Support: OCSxx

[\\*Return to Table of Contents](#)

Note: **OCS countertop support spacers are cut 1.5" longer than size listed.** They are designed to fit inside OFE XXL/R OCS by .75".

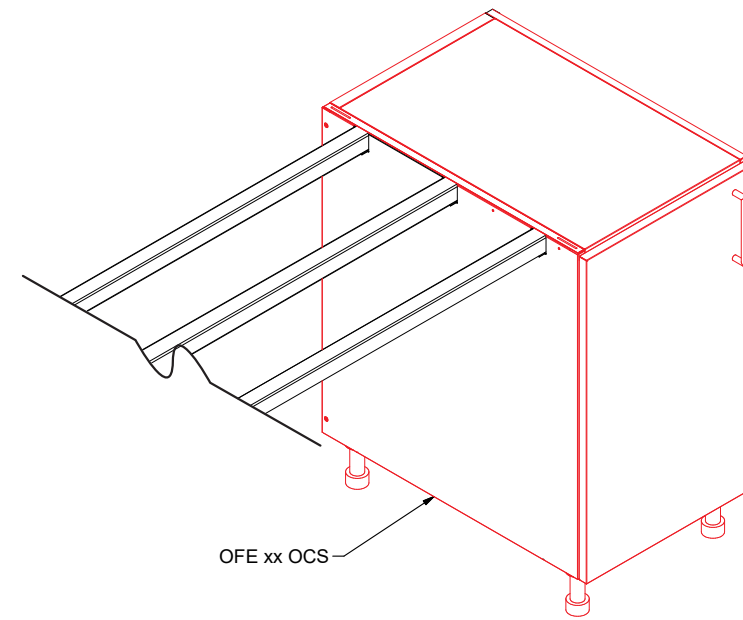
Ex: OCS30 supports are cut to **31.5" long**.

Product Description
The OCS Brace Kit is used to support countertop material. The three 1.58" x 1.58" square aluminum extrusions insert .75" into each adjacent cabinet using an OFE XXL/R OCS (flush finished side panel ready to receive the OCS kit see). The kit can only be used in between two cabinets, the minimum allowable width of the cabinets is 12" wide for proper structure and support.
*While the extrusions are durable, our company does not warranty that the Brace Kit will prevent countertop from cracking. Please refer to your countertop fabricator to verify usage with particular countertop material.*
<b>If using an OCS to end a run, choose a small 12" wide cabinet like OBF1201 or OBD1211 then finish the side using an OFE OCS part. (See OFE XXL/R OCS)</b>
SKU
OCS30
OCS33
OCS36
OCS39
OCS42
OCS45
OCS48



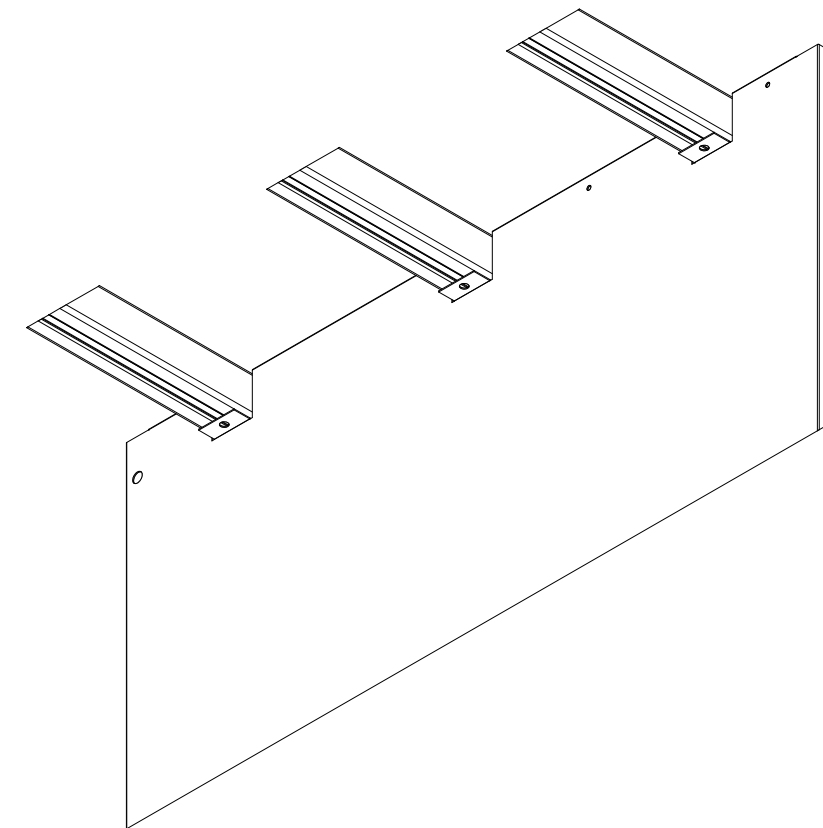
# Cabinet Accessories - Countertop Flush Ends: OFE xxL/R OCS

[\\*Return to Table of Contents](#)



Product Description	
OFE: Base cabinet flush side panel. Sits flush to cabinet side, specify based on cabinet side and depth. *Notched for use with OCS countertop support span*	
27" Depth SKU	24" Depth SKU
OFE 27L OCS	OFE 24L OCS
OFE 27R OCS	OFE 24R OCS

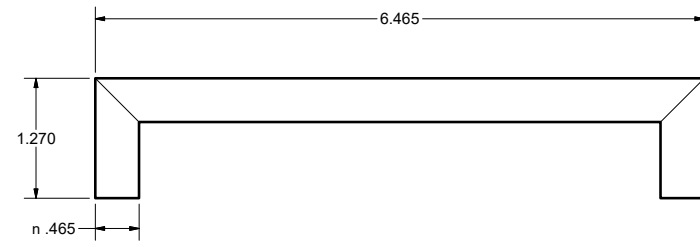
OFE xxL OCS notch detail:



# Miscellaneous - Handles

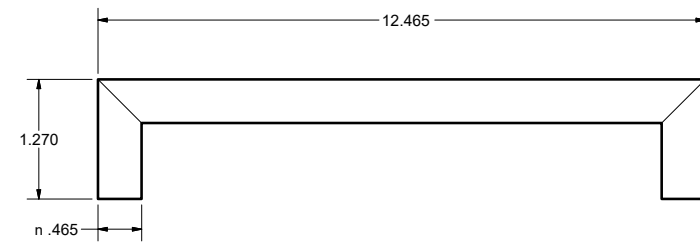
[\\*Return to Table of Contents](#)

## Standard Handle



Product Description
All Danver, Brown Jordan, and Trex Outdoor Kitchens cabinets come drilled and assembled with our standard stainless steel handle unless otherwise noted on the order. <b>6" center to center.</b> NOTE: Pulls can be powder coated any finish except wood grain finishes using the PC HANDLES part.

## Overlay Panel Handle



Product Description
All Danver, Brown Jordan, and Trex Outdoor Kitchens overlay panels come drilled for our standard stainless steel overlay handle unless otherwise noted on the order. <b>12" center to center.</b> NOTE: Handles can be powder coated any finish except wood grain finishes using the PC HANDLES part.

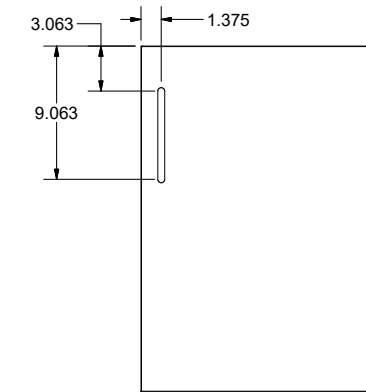


NOTE: For use on appliance overlay panels only

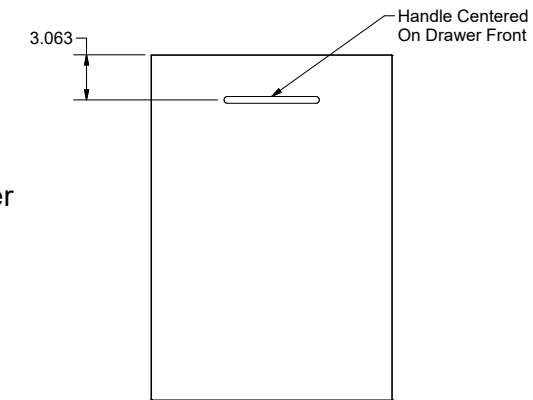
# Miscellaneous - Hampton, Key West Handle Placement

[\\*Return to Table of Contents](#)

Hampton Door



Hampton Drawer

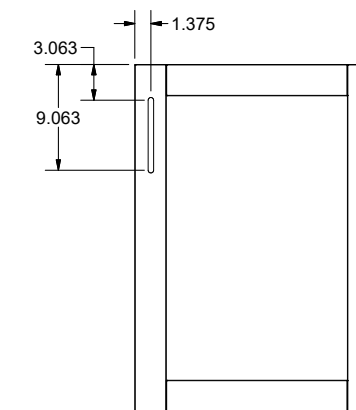


## Hampton (slab) handle placement

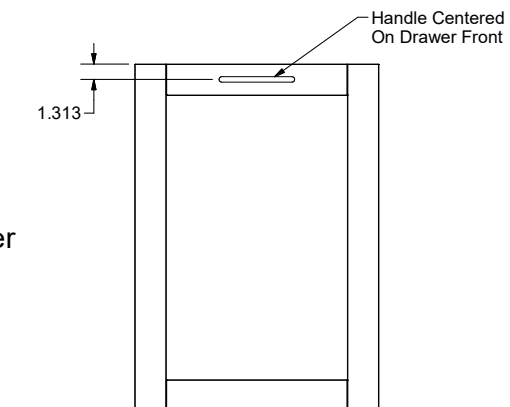
Note: Vertical knob hole placement is 3.063" from door top, 1.375" from side. Horizontal knob placement is centered on the door in the same location as pulls from the top.

Hampton Drawer handle placement will match door placement. Smaller slab drawers under 7"H will be centered.

Key West Door  
Beadboard Door  
Louver Door



Key West Drawer  
Beadboard Drawer  
Louver Drawer



## Key West handle placement

Note: Louver, Beadboard, Palm Beach, and Rio style doors have the same handle placement as Key West.

Note: Vertical knob hole placement is 3.063" from door top, 1.375" from side. Horizontal knob placement is centered on the door in the same location as pulls from the top.

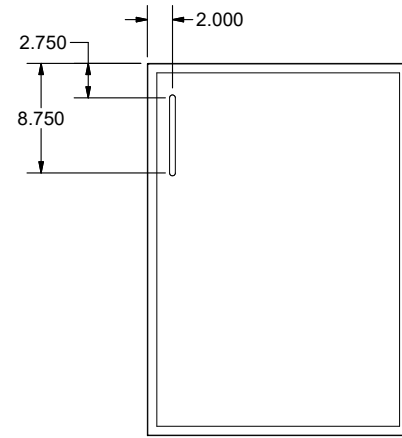
Key West drawer handle placement will match door placement. Smaller slab drawers under 7"H will be centered.

**Note:** Vertical wall cabinet handle placement is the same as base cabinets but handles are placed at the bottom of each door.

# Miscellaneous - Venice Handle Placement

[\\*Return to Table of Contents](#)

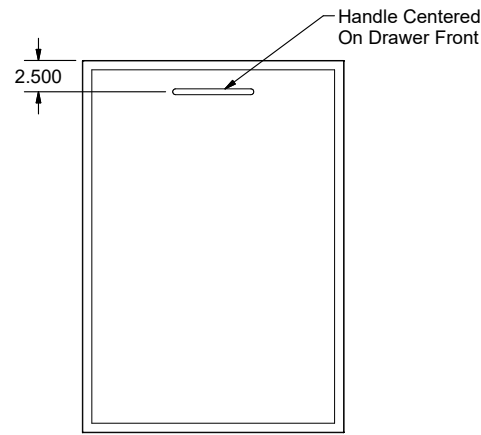
Venice Door



## Venice handle placement

Note: Vertical knob hole placement is 2.75" from door top, 2" from side. Horizontal knob placement is centered on the door in the same location as pulls from the top.

Venice Drawer

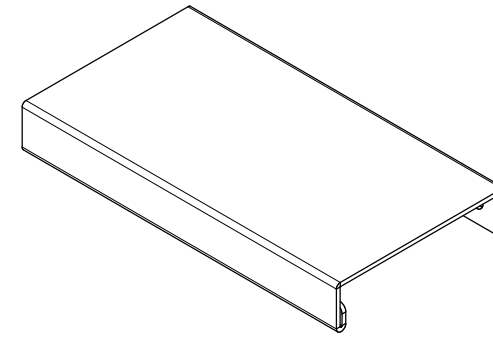


Venice drawer handle placement will match door placement. Smaller slab drawers under 7"H will be centered.

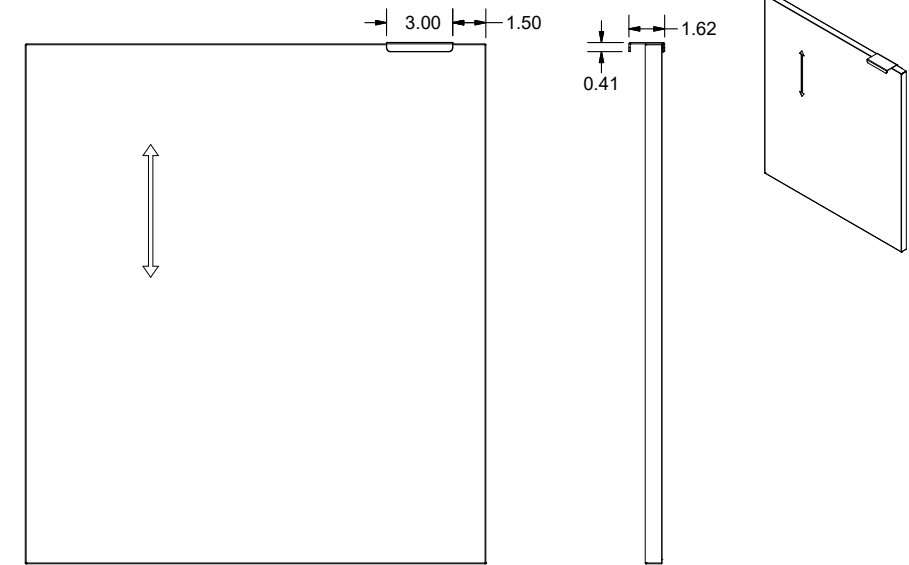
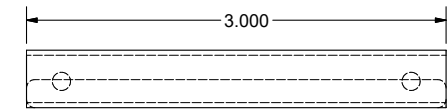
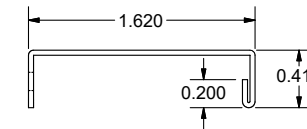
**Note:** Vertical wall cabinet handle placement is the same as base cabinets but handles are placed at the bottom of each door.

# Miscellaneous - Pull Tab Handles

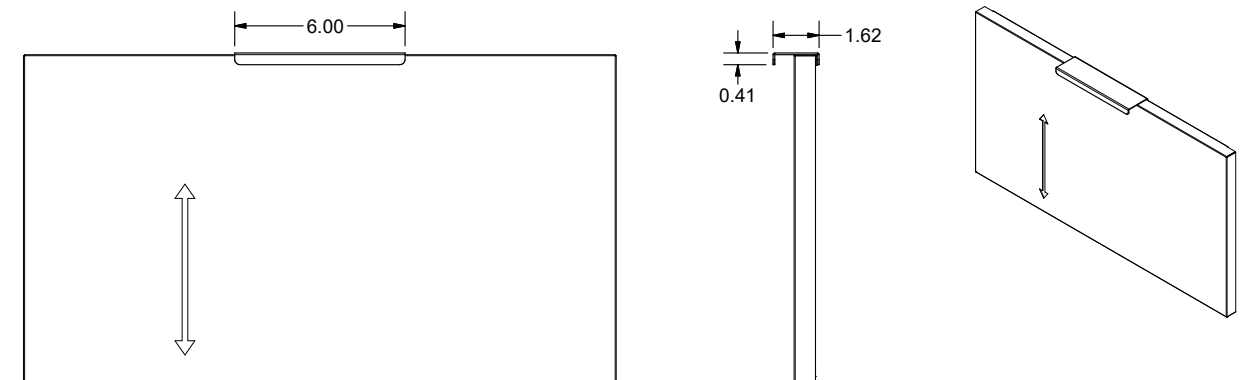
[\\*Return to Table of Contents](#)



Product Description
PULL TAB: Stainless steel tab pull, can be powder coated. Top Center install on drawers. Top Edge install on doors.
*** MADE IN HOUSE - cannot be installed Vertically or on Inserts or overlay panels.***
Notes
Door pulls: 3" wide, 1 5/8" deep, 3/8" tab
Drawer pulls: 6" wide, 1 5/8" deep, 3/8" tab



Pull tab placement on slab door.

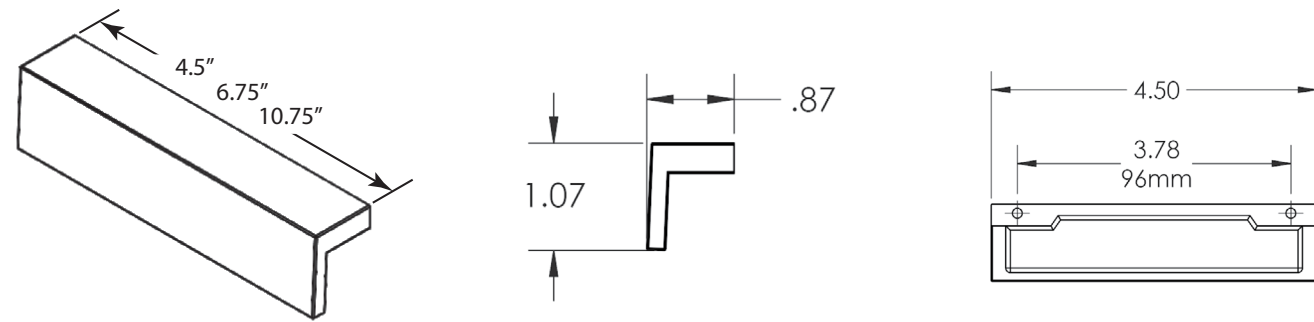


Pull tab placement on slab drawer.



# Handles - Ashley Norton 'L' Pull

[\\*Return to Table of Contents](#)

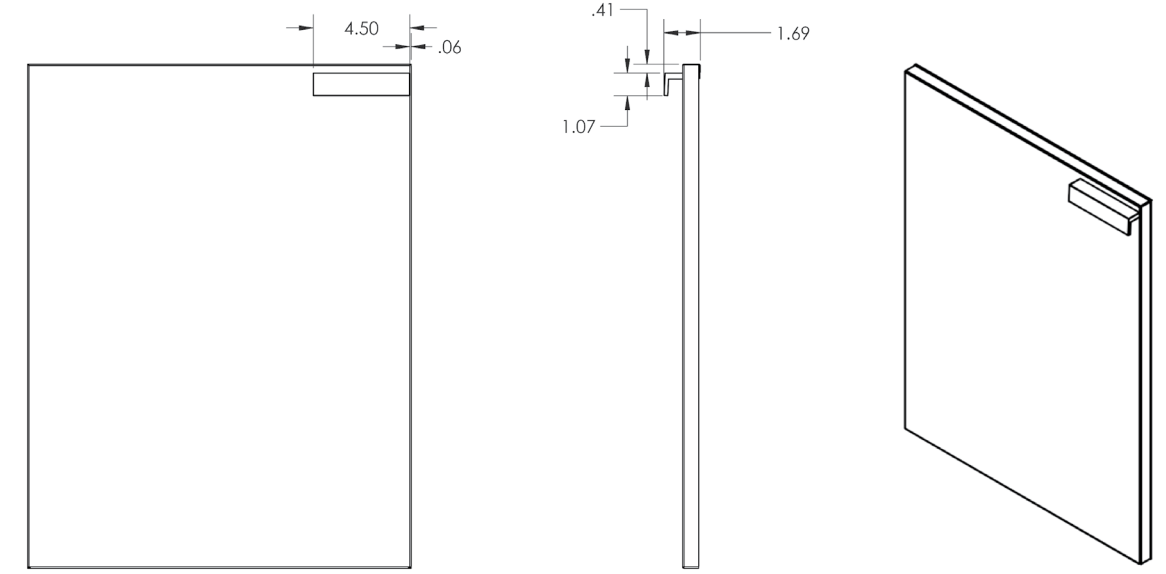


Product Description
L PULL: Solid Bronze L pull, available in five patinas (Dark Bronze, Black, Medium-White Bronze, Natural Bronze, and White Bronze). Top install on doors, center install on drawers.
***Can only be installed as shown per specification.***
***Only available on Hampton Door Style***
Notes
Door pulls: 4-1/2" wide, 7/8" projection, 1-1/8" height
Drawer pulls: 6-3/4" wide, 7/8" projection, 1-1/8" height
Appliance panel pulls: 10-3/4" wide, 7/8" projection, 1-1/8" height

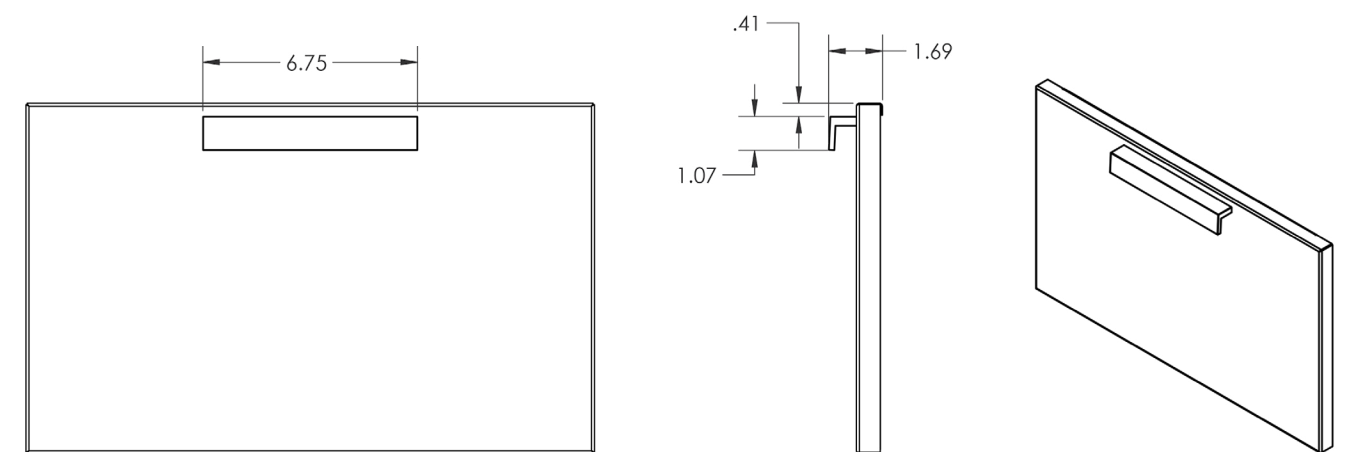
Refer to the following page for placement specs

# Handles - Ashley Norton 'L' Pull - Door Application

[\\*Return to Table of Contents](#)

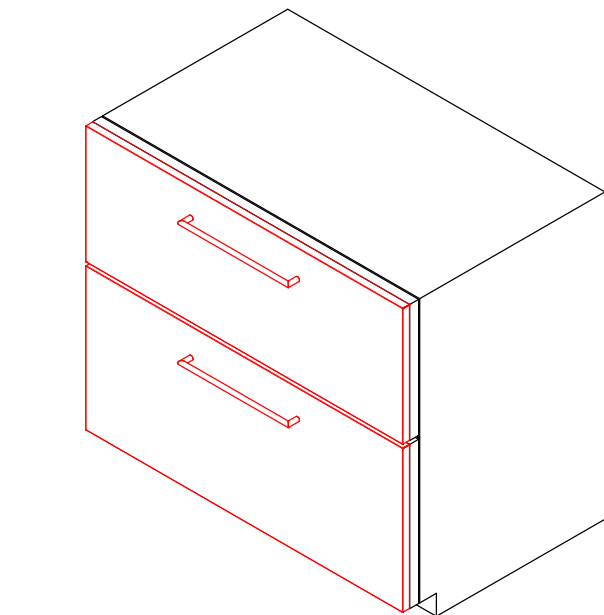
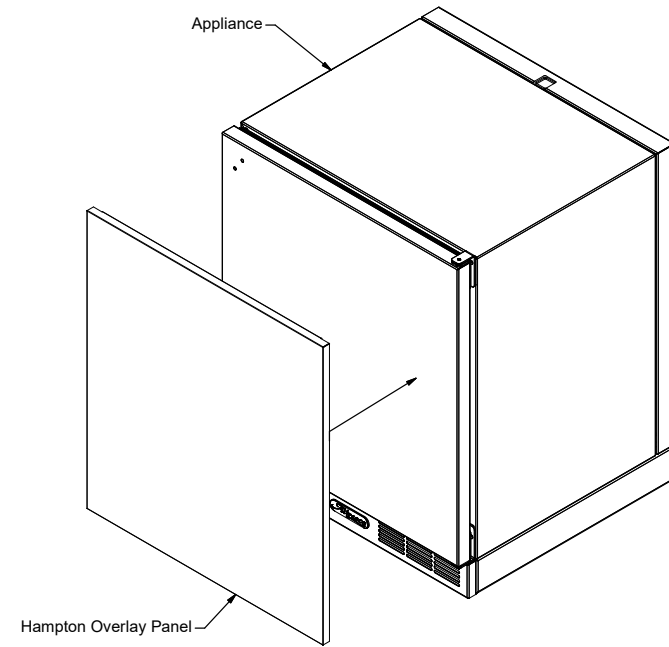


# Handles - Ashley Norton 'L' Pull - Drawer Application



# Miscellaneous - Appliance Overlay Panels

[\\*Return to Table of Contents](#)



**Product Description**

Panels made to match any door/drawer style for most outdoor rated panel ready appliances such as refrigerators, ice makers, beverage centers, etc. Glass door frames in the Key West or Rio style are also possible. Please submit manufacturer specifications for panel(s) when requesting a kitchen quote.

Example SKU:  
True 15 URB-LH. This panel is used for a True 15" refrigerator, Hampton (slab) door style, left-hinged.

\*\*\*Overlay panels are made at 29.75"H to match our cabinet fronts. Because every appliance is different, Overlay panels may mount higher or lower on the appliance door to stay aligned with the adjacent cabinet doors. Overlay panels are manufactured without mounting holes and will need to be drilled on-site.\*\*\*

NOTE: No Locks Available for Overlay Panels

**SAMPLE SKUs**

Manufacturer	Width	Door Style	Hinge
TRUE	24	KW	-LH
PERLICK	15	VN	-RH
PERLICK	24	GLASS RIO	-LH
SUMMIT	24	HM	-LH
SUB-ZERO	24	KW SG	-RH

**SAMPLE SKU ADA**

Manufacturer	Width	Door Style	Hinge
TRUE ADA	24	KW	-LH

**SAMPLE SKU DRAWER**

Manufacturer	Width	Drawers	Door Style
PERLICK	24	2	HM

**DOOR STYLE NOMENCLATURE**

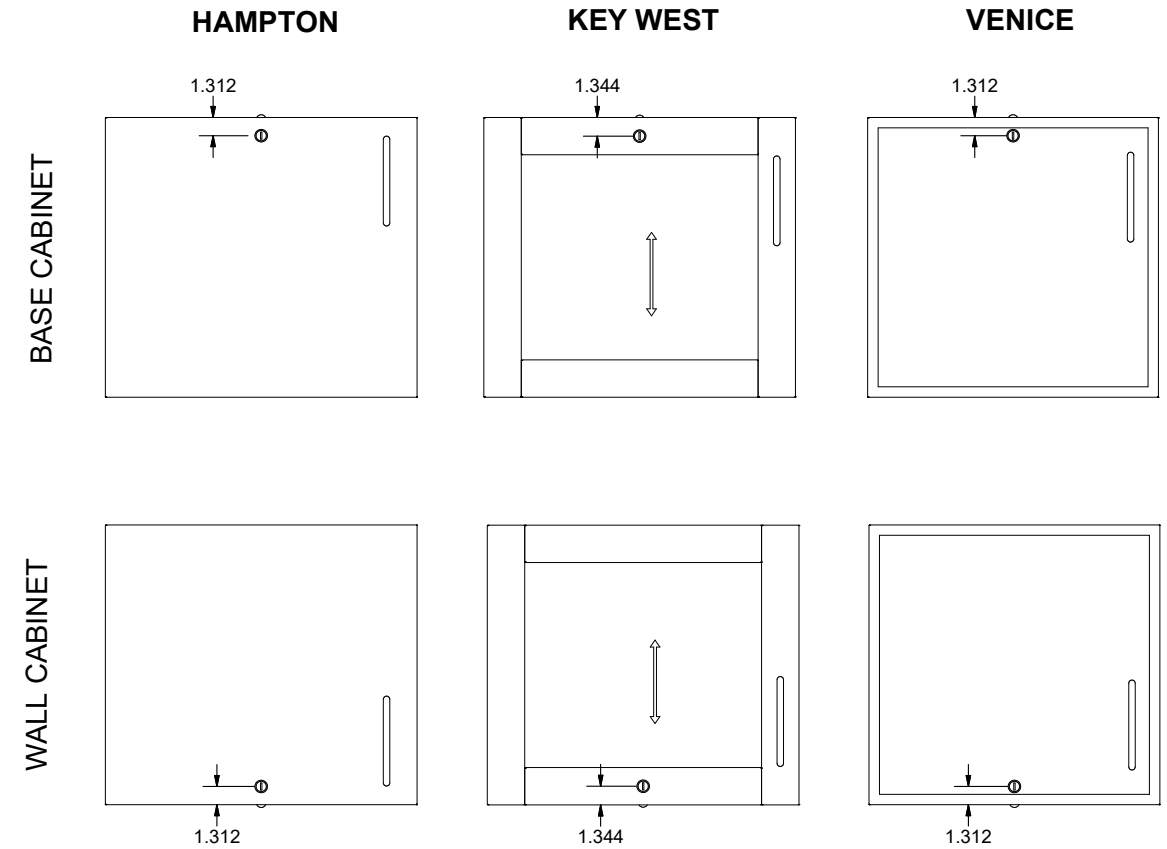
Abbreviation	Door Style
HM	Hampton
VN	Venice
KW	Key West
KW BB	Key West Beadboard
KW LV	Key West Louver
KW OFG	Key West Open For Glass
PB	Palm Beach
TECNO	Tecno
GLASS RIO	Rio

# Miscellaneous - Locks

[\\*Return to Table of Contents](#)

**Product Description**

LOCK: Add keyed lock to Hampton, Key West, Palm Beach, or Pull Tab doors. **Can be applied to Key West doors but NOT drawers or trash pullouts.**



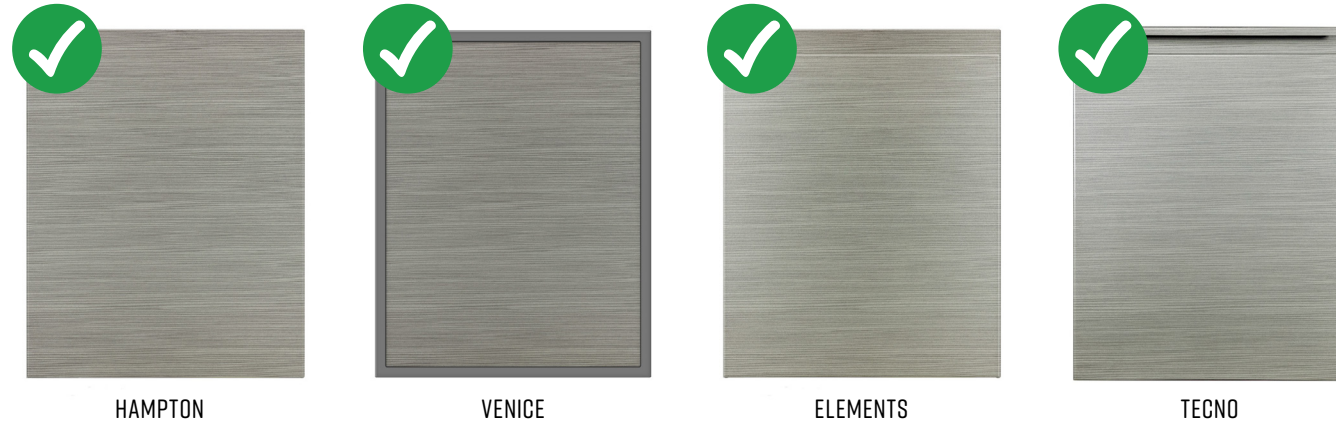
## Lock placement: Drawers

1. Hampton, Venice, and Rio style doors all have centered lock placement above the handle.
2. Locks are unavailable on all Key West drawer variations due to the handle conflicting with the lock.

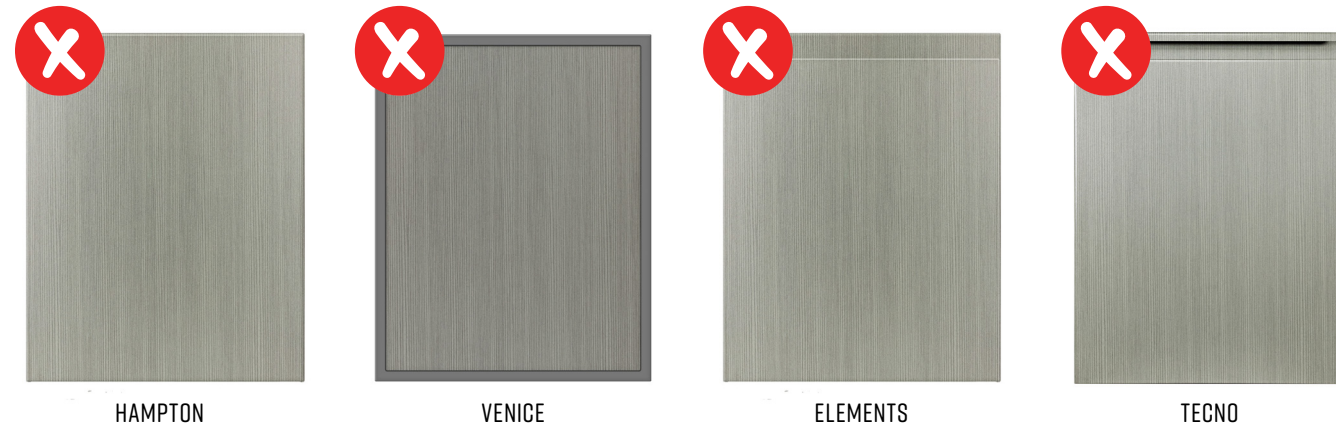
### HORIZON WOOD GRAIN CORRECT USAGE

ONLY USE IN HORIZONTAL GRAIN PATTERN

ONLY FOR USE ON HAMPTON, VENICE (CENTER PANEL ONLY), ELEMENTS & TECNO DOOR STYLES



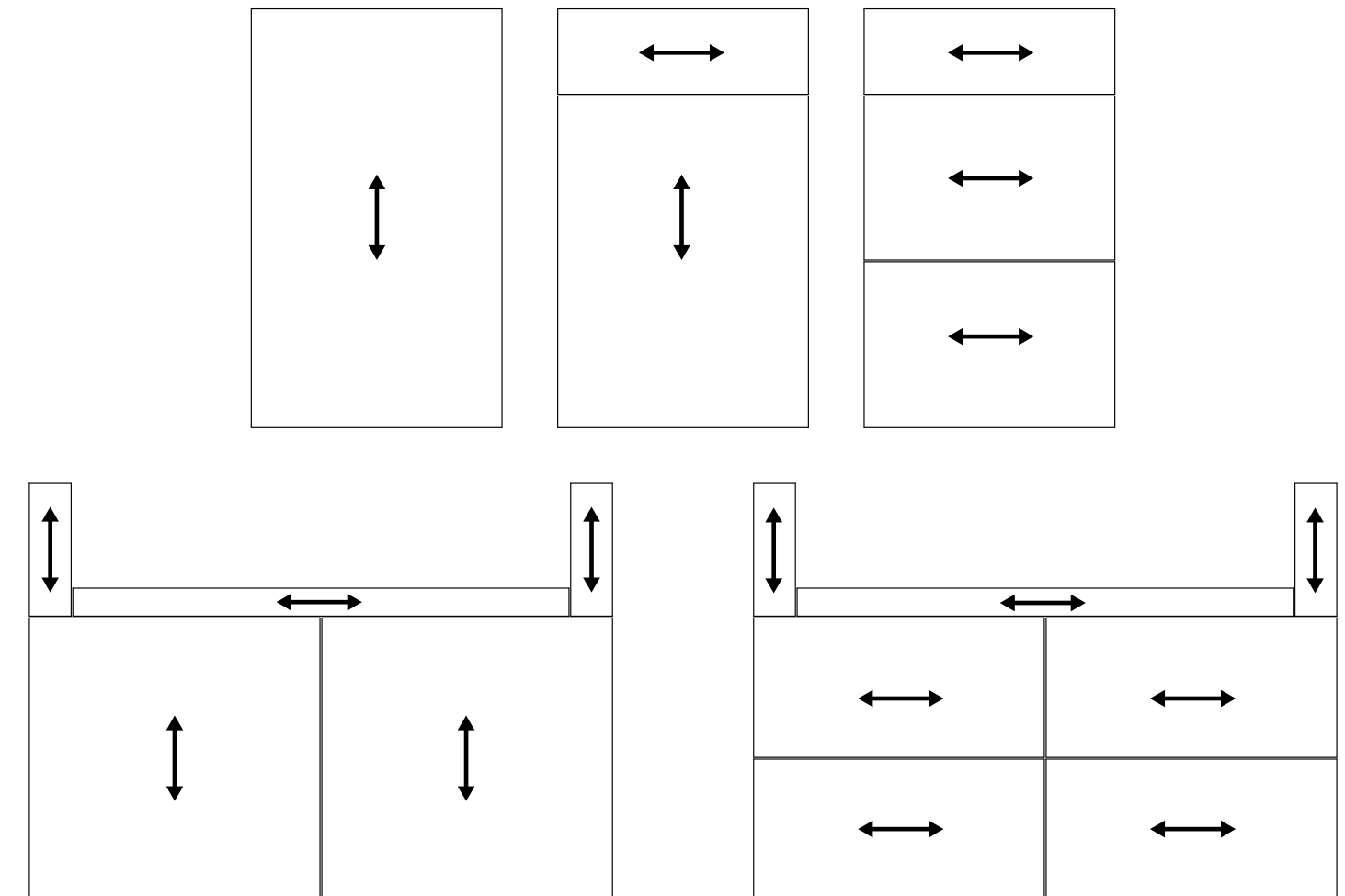
NO VERTICAL GRAIN DIRECTION



NO OTHER DOOR STYLES

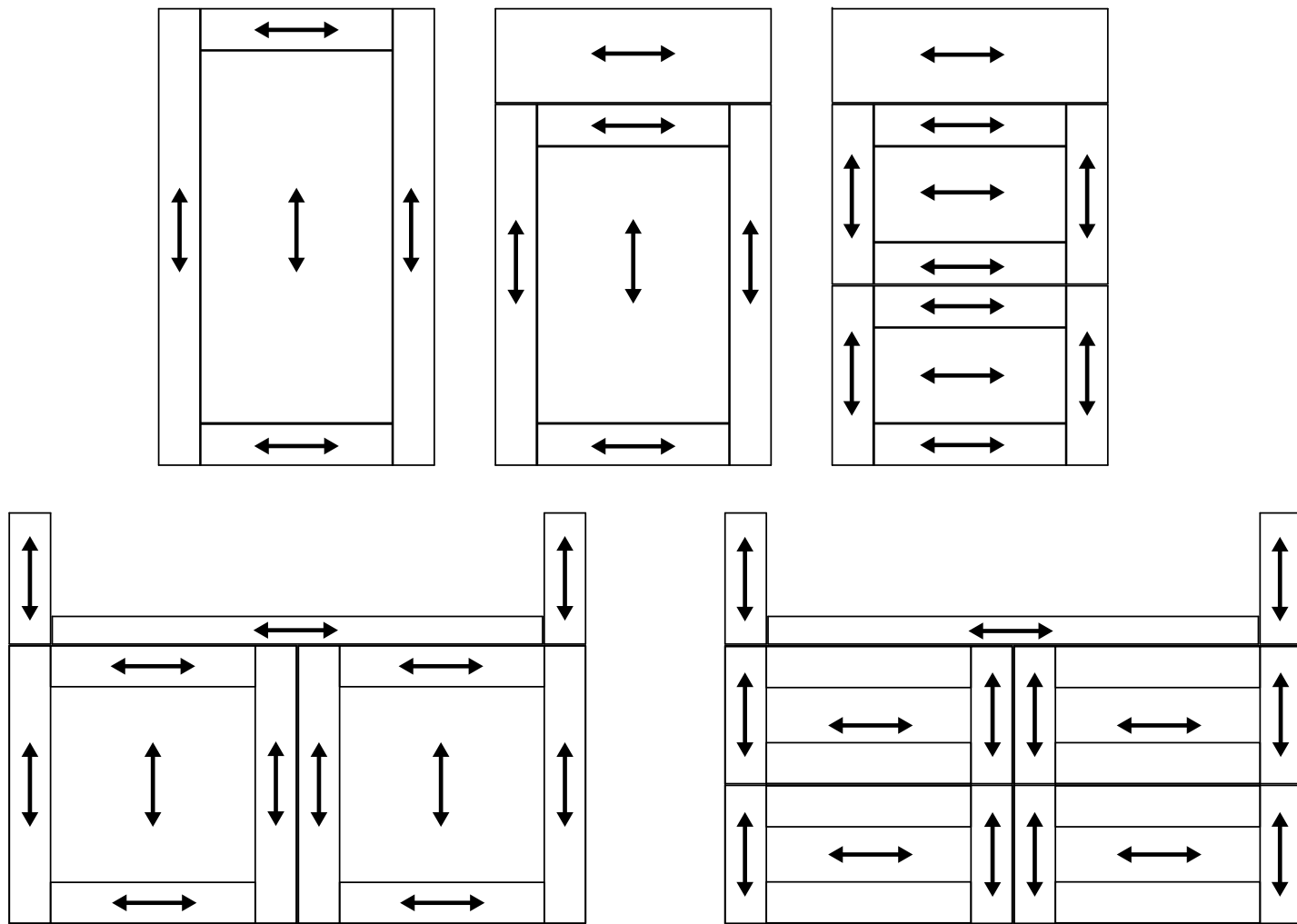


### Wood grain direction: Hampton Slab & Rio Door styles

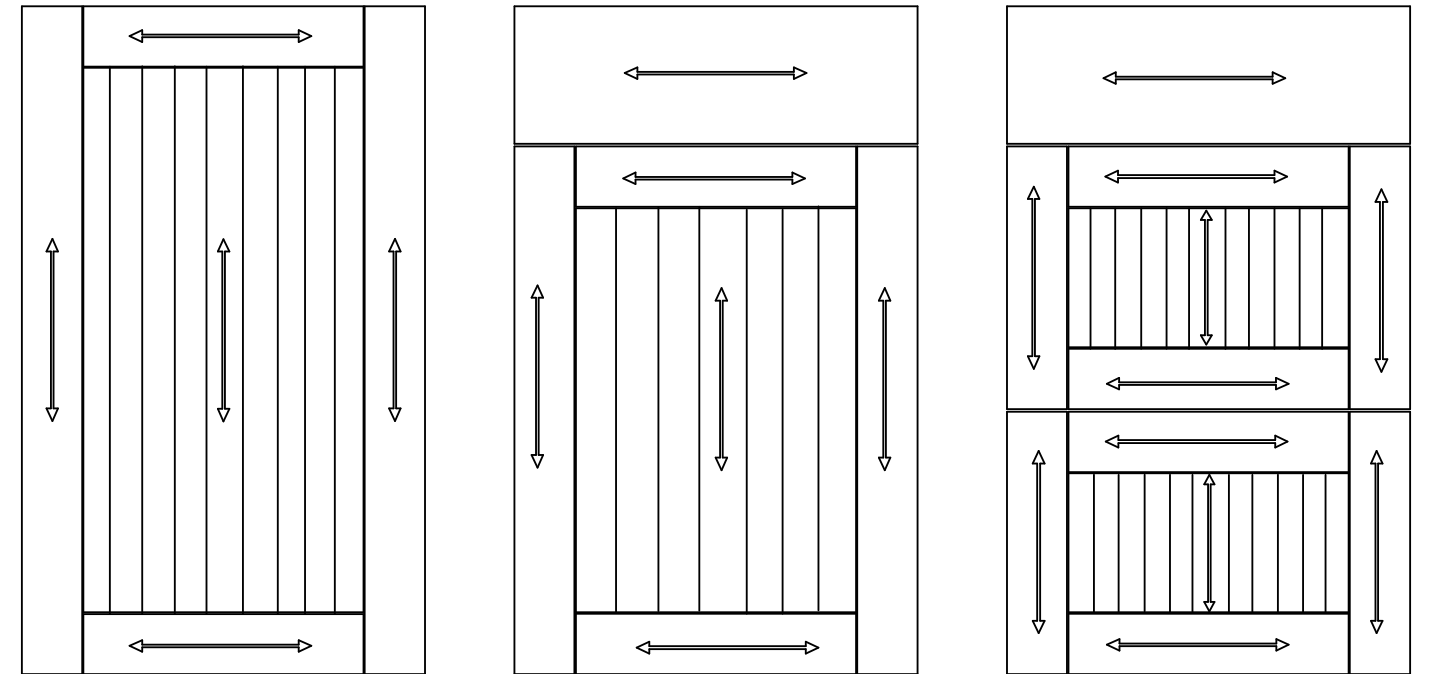


Note: All panels finished in #4 Brushed Stainless Steel will have vertical grain.

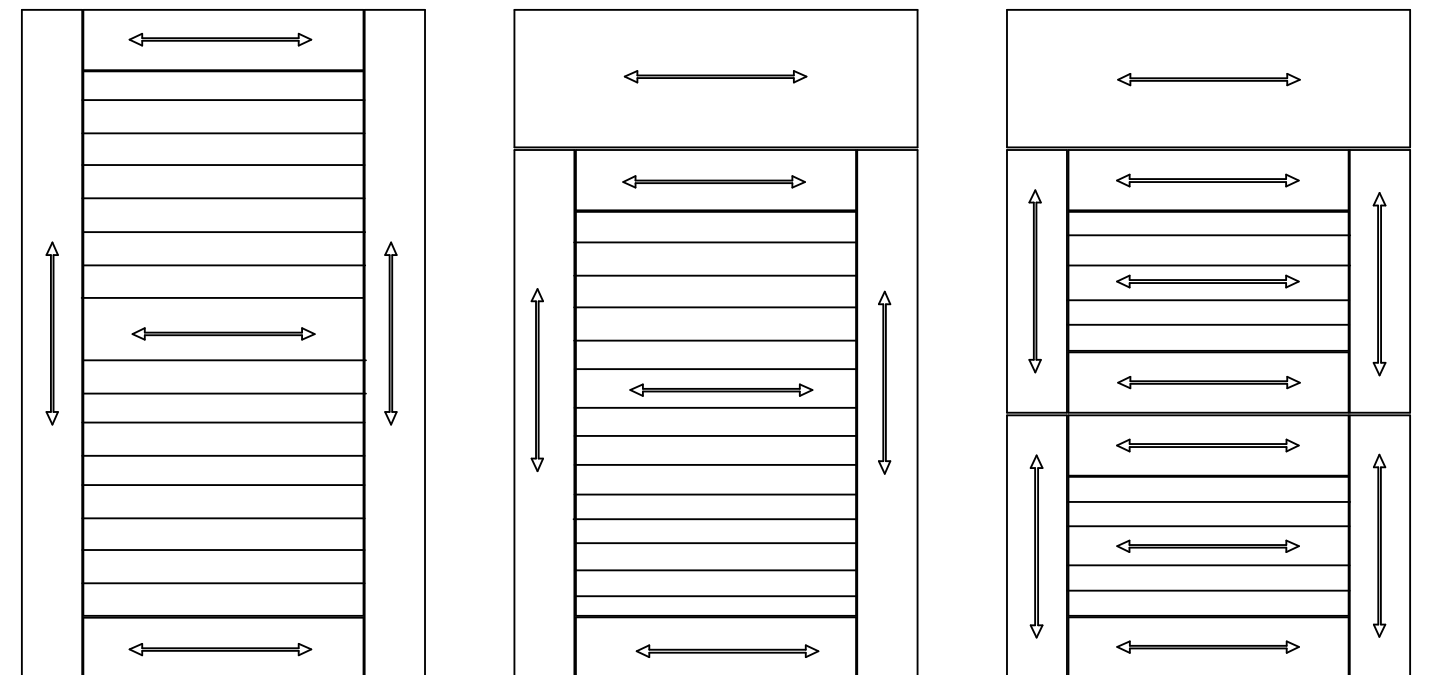
Wood grain direction: Key West Door Style



Wood grain direction: Key West Beadboard Door Style

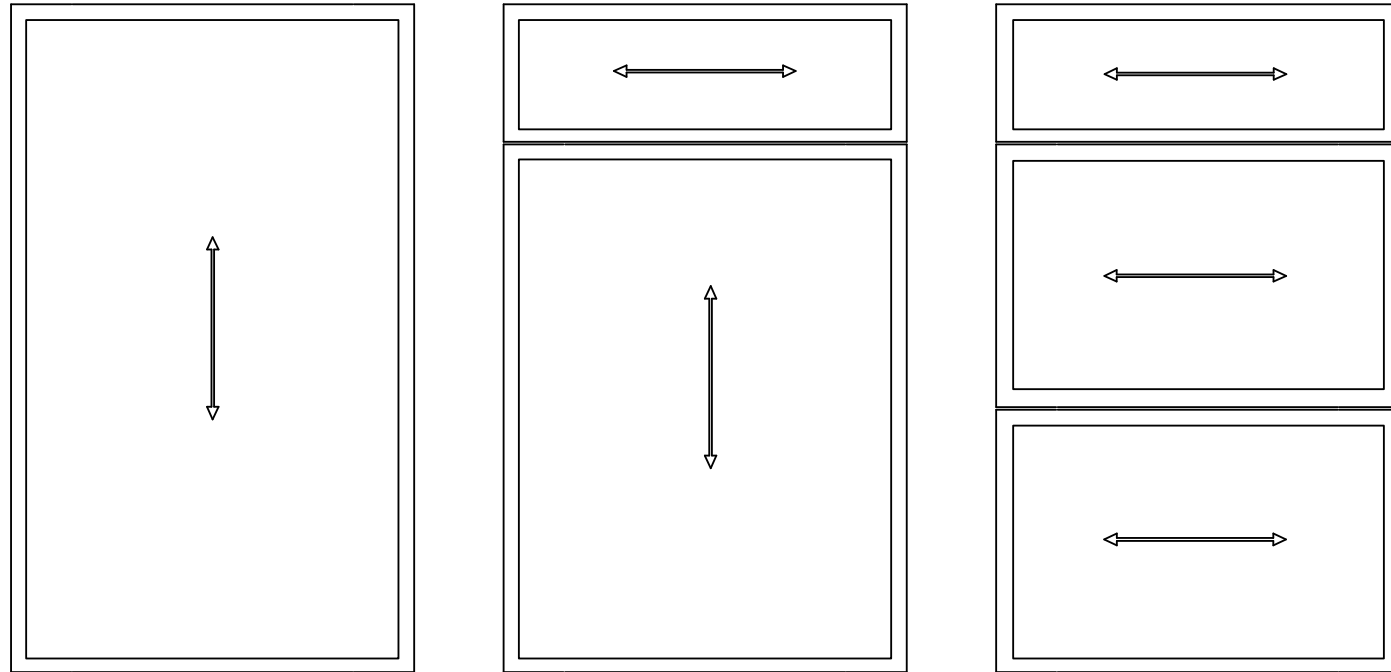


Wood grain direction: Key West Louver Door Style



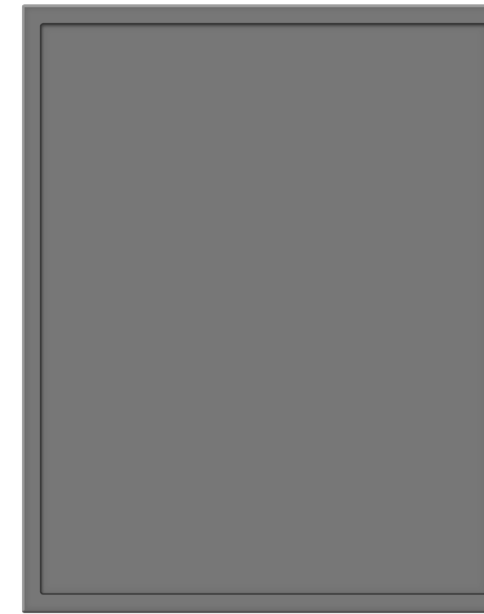
Note: All panels finished in #4 Brushed Stainless Steel will have vertical grain.

**Wood grain direction: Venice Door Style**

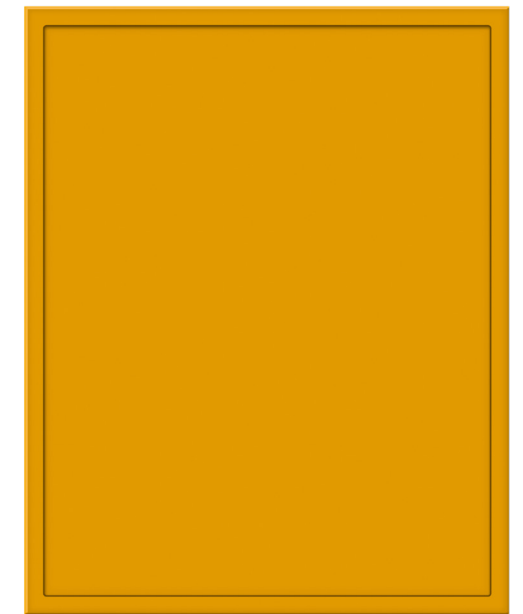


**Note:** Venice doors can ONLY have the center panel wood grain powder coated and the frame left as stainless steel or powder coated a standard color. Wood grain centers are coated with standard vertical orientation shown above.

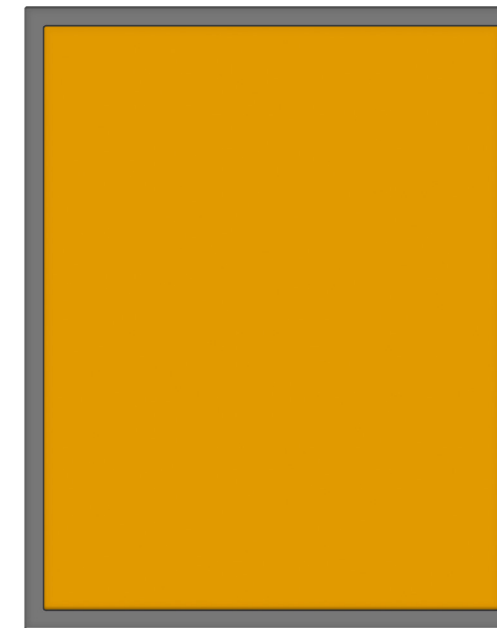
**Note:** All panels finished in #4 Brushed Stainless Steel will have vertical grain.



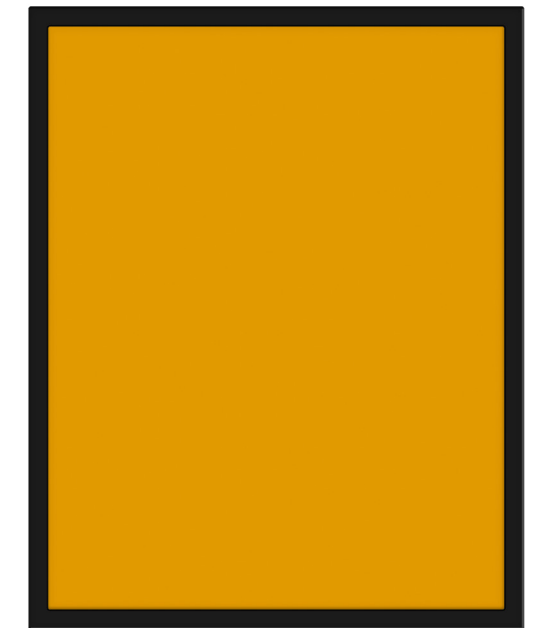
**Option 1: Stainless Steel Frame and Center Panel**  
Center & Frame: Stainless Steel



**Option 2: Powder Coated Frame and Center - Single Color**  
Center & Frame: Primary Color



**Option 3: Stainless Frame with Powder Coated Center Panel**  
Center: Primary Color, Frame: Stainless Steel



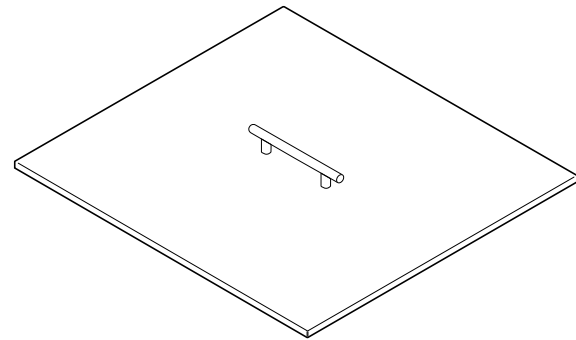
**Option 4: Powder Coated Center Panel with Complementary Frame**  
Center: Primary Color, Frame: Secondary Color

**Note:** powder coat finishes are available for the center panel and will be used on the accessories - trim kits, fillers, side/back panels, etc. All panels finished in #4 Brushed Stainless Steel will have vertical grain.  
All powder coat finishes can be used on frame *except for wood grain finishes*.



## Miscellaneous - Sink Covers: SCxxzz

[\\*Return to Table of Contents](#)

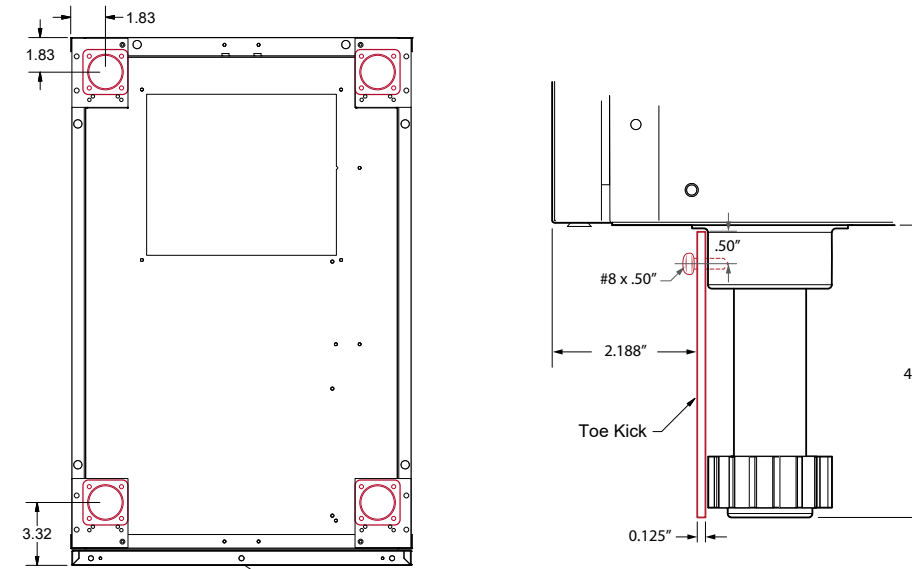


Product Description
SC: Stainless 304 sink covers with handles to match cabinets. Can be powder coated to match cabinets. Custom sizes available, please contact sales. *Size listed is inside dimension* Ex: 21"W x 16"H
SKU
SC2116
SC2121
SC2422
SC3222
SC3422
SC3822
SC4322

## Miscellaneous - Standard & ADA Legs

[\\*Return to Table of Contents](#)

### Typical cabinet leg location.



Bottom View

Side View

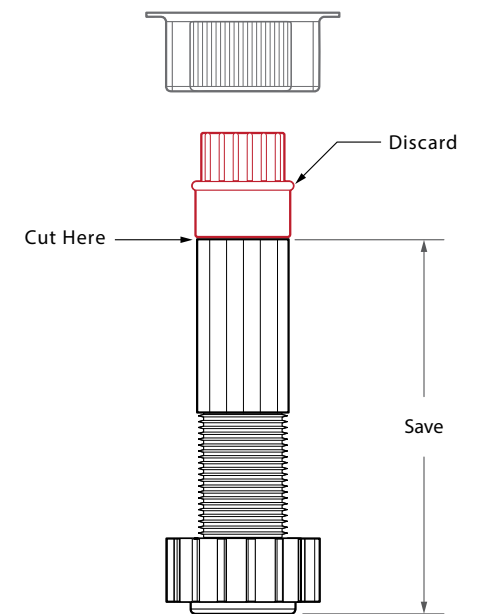
Our standard cabinet leg is adjustable from **3.75" to 5.75"**

Standard legs that have been cut to ADA height are adjustable from **2" to 3.25"**.

### Modification of Standard Legs

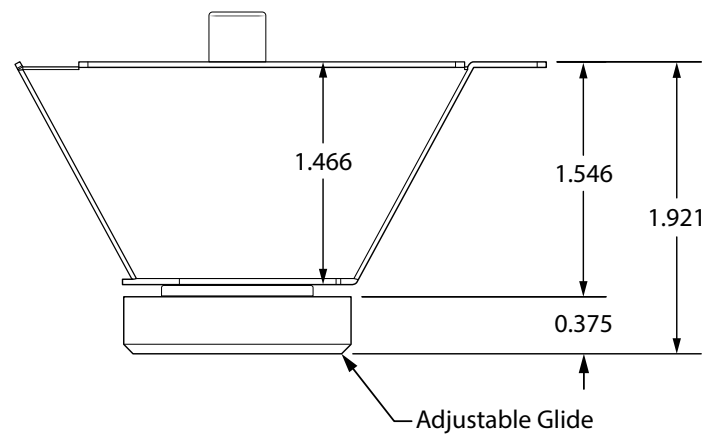
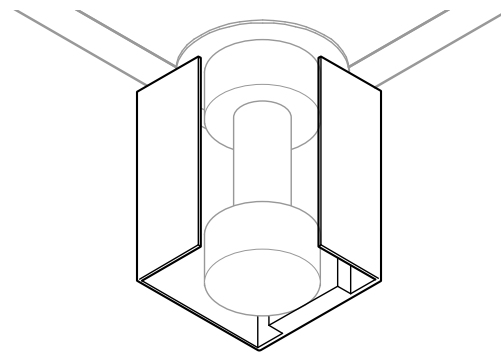
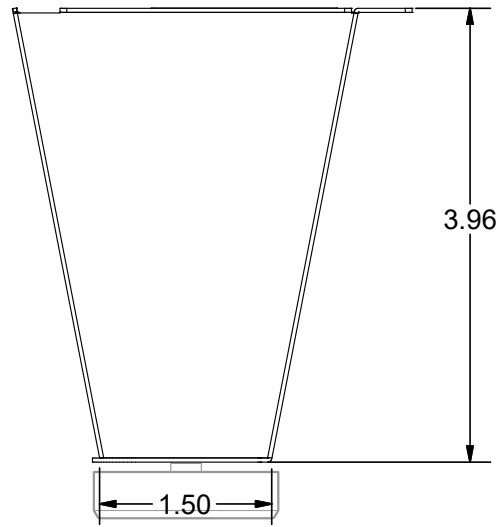
Standard legs can be modified if the cabinet needs to sit below our standard minimum leg height (i.e. ADA application). This modification will allow the legs to be at a reduced height but still afford the ability for adjustment, ensuring correct leveling of cabinets.

Refer to the Cabinet Installation Instructions for complete information.



# Miscellaneous - Stainless Legs: SSLEG

[\\*Return to Table of Contents](#)



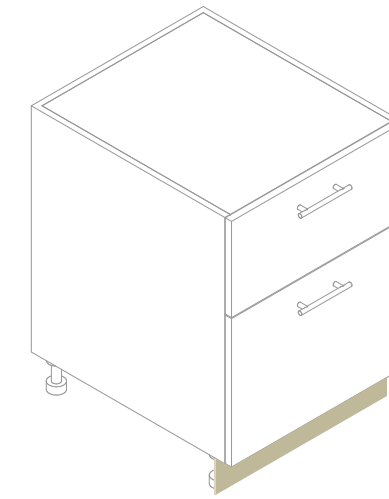
Product Description	
<p>SSLEG options: A wide range of Stainless Steel leg covers are available. ADA compliant leg and wall cabinet leg modifier kits are also available. Stainless legs can be powder coated to match cabinetry.</p>	
SKU	Description
SSLEG	<p>Exposed 4.5"-5.25" high stainless steel tapered leg. Number required based on cabinet sizes, either 4, 6, or 8 (54" and above). REPLACES LEGS.</p> <p>NOTE: Cannot be used for ORP/OBX units smaller than 3.88"W. Should only be used on a level deck.</p>
SSLEG COVER	<p>Square stainless cover for standard legs where no toe kick preferred. NOTE: Cannot be used for ORP/OBX units smaller than 3.88"W</p>
SSLEG COVER ADJ	<p>Adjustable square stainless steel leg cover: 3" minimum - 5.62" maximum height. NOTE: Cannot be used for ORP/OBX units smaller than 3.88"W</p>
SSLEG COVER DOUBLE	<p>Square stainless cover to cover 2 standard legs</p>
ADA SSLEG	<p>Exposed 2"-2.75" high stainless steel tapered leg for ADA compliant cabinet. Number required based on cabinet sizes, either 4, 6, or 8 (54" and above). REPLACES STANDARD LEGS.</p> <p>NOTE: Cannot be used for ORP or OBX units smaller than 3.88"W. Should only be used on a level deck.</p>

# Miscellaneous - Toe Kick: OTKx

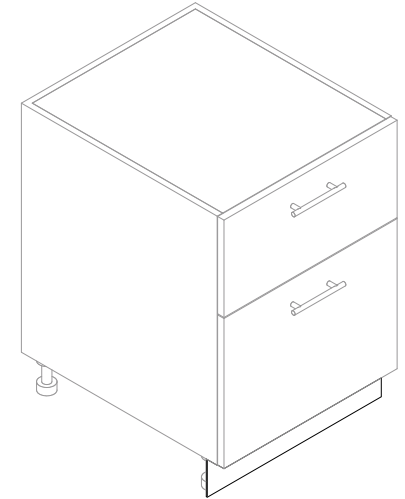
[\\*Return to Table of Contents](#)



Black Toe Kick



Stainless Steel Toe Kick



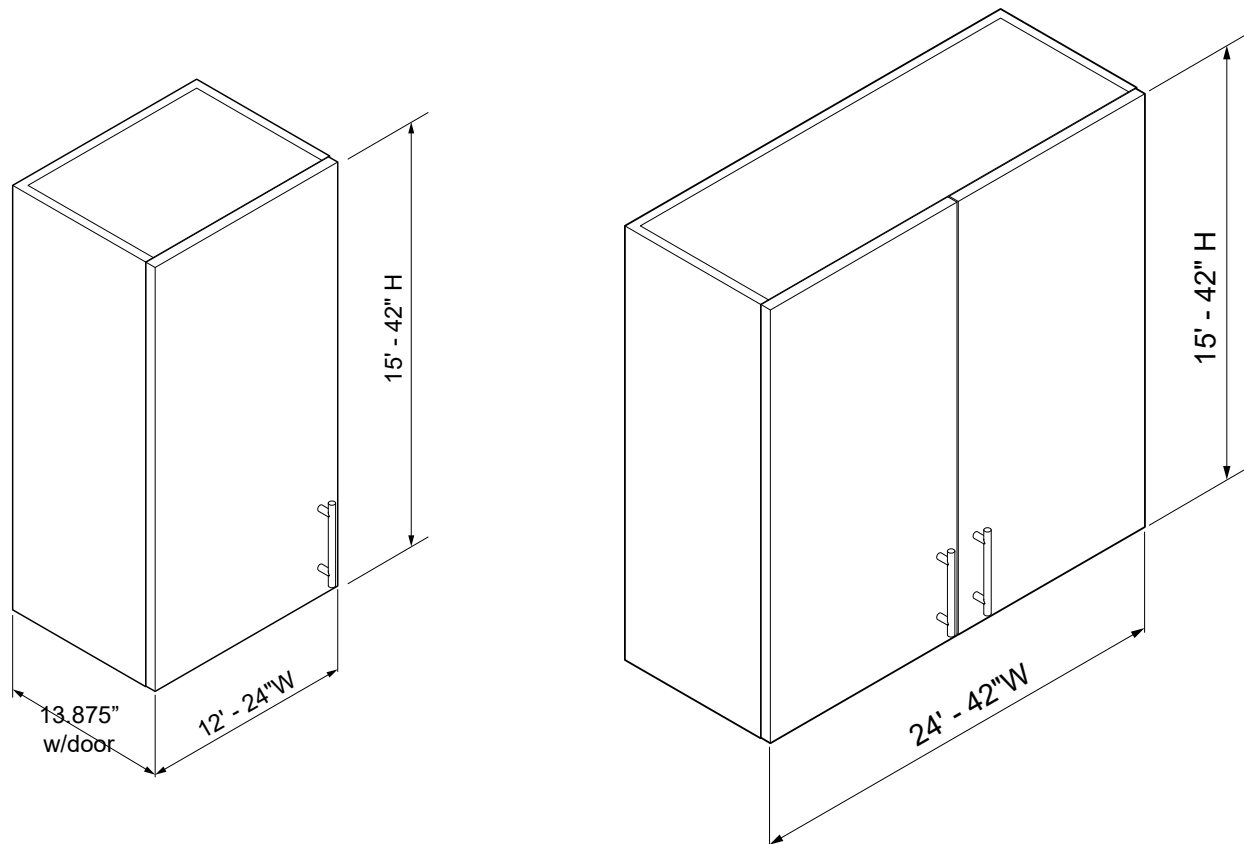
Powder Coated Aluminum Toe Kick

Product Description				
<p>Toe Kick: .125" thick aluminum black toe kick cover with PVC core.</p> <p>Upgrade to .090" thick anodized aluminum toe kick cover with matching powder coat finish or .036" thick 316 Marine Grade Stainless steel toe kick cover without powder coat.</p>				
Finish	84" Length of Toe Kick	Splice for Connecting Straight Run	45 Degree Corner Splice	90 Degree Corner Splice
2" H Black Finish	OTK2	OTK2 SPLICE	OTK2 CORNER 45	OTK2 CORNER 90
2" H 316 Stainless Steel	OTK2-SS 316	OTK2-SS 316 SPLICE	OTK2-SS 316 CORNER 45	OTK2-SS 316 CORNER 90
2" H Aluminum with Powder Coat Finish	OTK2-AL PAINTED	OTK2-AL SPLICE PAINTED	OTK2-AL CORNER 45 PAINTED	OTK2-AL CORNER 90 PAINTED
4.38" H Black Finish	OTK4	OTK4 SPLICE	OTK4 CORNER 45	OTK4 CORNER 90
4.38" H 316 Stainless Steel	OTK4-SS 316	OTK4-SS 316 SPLICE	OTK4-SS 316 CORNER 45	OTK4-SS 316 CORNER 90
4.38" H Aluminum with Powder Coat Finish	OTK4-AL PAINTED	OTK4-AL SPLICE PAINTED	OTK4-AL CORNER 45 PAINTED	OTK4-AL CORNER 90 PAINTED
6" H Black Finish	OTK6	OTK6 SPLICE	OTK6 CORNER 45	OTK6 CORNER 90
6" H 316 Stainless Steel	OTK6-SS 316	OTK6-SS 316 SPLICE	OTK6-SS 316 CORNER 45	OTK6-SS 316 CORNER 90
6" H Aluminum with Powder Coat Finish	OTK6-AL PAINTED	OTK6-AL SPLICE PAINTED	OTK6-AL CORNER 45 PAINTED	OTK6-AL CORNER 90 PAINTED

# Wall Cabinets

[\\*Return to Table of Contents](#)

- Available in 3" increments from 12" to 48" wide.
- Standard heights range from 12" to 42".
- Cabinet depth is 13" (13.88" including door).
- Two doors are furnished with cabinets from 24" to 48" in width.
- Includes 0-3 shelves depending on the height of the cabinets: **15"H**=no shelf, **18-24"H**=1 shelf, **30-36"H**=2 shelves, **39-42"H**=3 shelves.
- Wall units require **PVC CLEAT** material on top and bottom notches to be hung.
- Every wall cabinet comes with:
  - top and bottom finished panels
  - standard stainless bar pulls
- The wall cabinet line includes diagonal corner and blind corner wall cabinet options.
- Finished side panels are optional and are available in two configurations:
  - Flush to the cabinet side (WFE) or .75" thick panel flush to the face of the door (WSP). Doors may be ordered in different styles or open for glass (OFG).
  - Wall cabinetry may also be fitted with standard or stainless legs and used as shallow depth base cabinets (accessory part name: WALL LEG KIT).



# Wall Cabinets & Accessories: Nomenclature

[\\*Return to Table of Contents](#)

- All Denver Wall cabinets use specific nomenclature designed to help you find the specific type needed.
- Wall cabinets and Wall accessories begin with "**W**".
- Standard wall cabinet depth is 13".
- Specify "**-24**" after the part number for 24" depth cabinets. Example: **WS2421-24**.

Single Door Wall Cabinet part nomenclature; example:

WS1821-RH: 18" Single Door Cabinet			
<b>WS</b>	<b>18</b>	<b>21</b>	<b>RH</b>
<b>Style</b>	<b>Width</b>	<b>Height</b>	<b>Hinge</b>
Style	Cabinet Width in inches	Cabinet Height in inches	Left or Right Hand

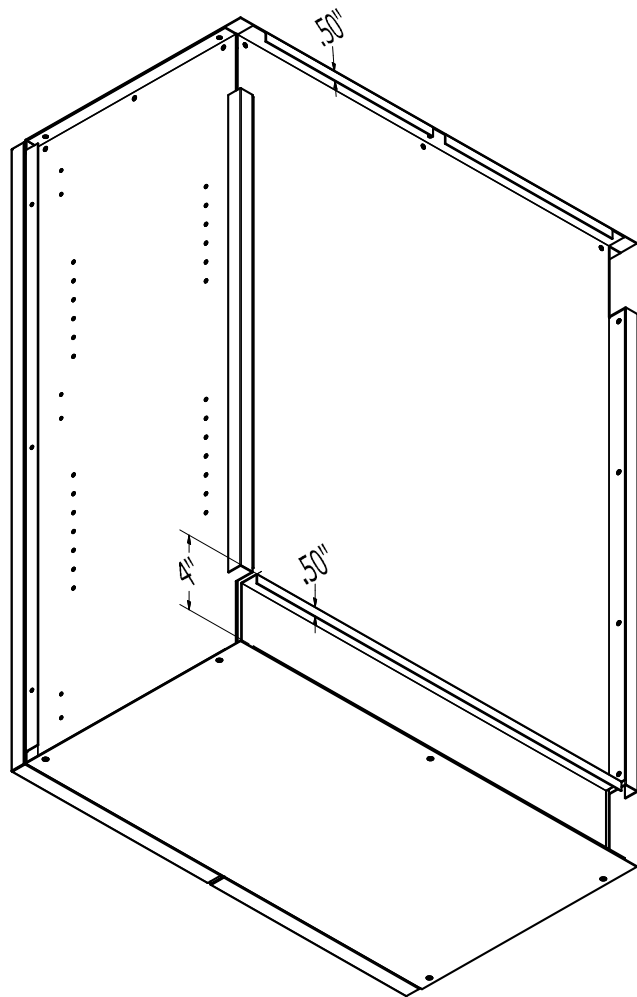
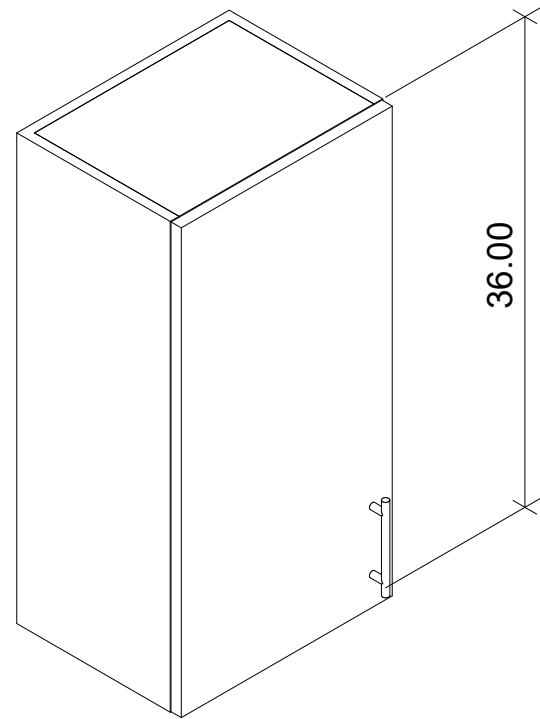
Double Door Wall Cabinet part nomenclature; example:

WS3636: 36" Double Door Cabinet		
<b>WS</b>	<b>36</b>	<b>36</b>
<b>Style</b>	<b>Width</b>	<b>Height</b>
Style	Cabinet Width in inches	Cabinet Height in inches

Wall Part Name	Description	Wall Part Usage Summary
<b>PVC CLEAT</b>	Cleat material	60"L x 3"H, used as anchor point to mount wall cabinets.
<b>WBxxxx</b>	Wall Blind Corner	Blind wall cabinet used in a corner void.
<b>WDCxx</b>	Wall Diagonal Corner	Wall cabinet used to fill a corner.
<b>WFC xx yy</b>	Wall Filler Corner	Corner filler with top and bottom pieces included to fill corner void.
<b>WFExxL/R</b>	Wall Flush End Left or Right	Applied to wall cabinet to end run, does not add any width.
<b>WFL yy xx</b>	Wall Filler Front	Used between two wall cabinets to fill space, .75" minimum.
<b>WFL END yy xx</b>	Wall Filler Front End	Used between a wall cabinet and a wall, .5" minimum.
<b>WMCxxxx</b>	Wall Microwave Cabinet	Wall cabinet used to house microwave.
<b>WSP DECORATIVE</b>	Wall Decorate Side Panel	Decorative panels to match any door front style (Venice, Louver, etc.)
<b>WSPxxL/R</b>	Wall Side Panel Left or Right	Applied to end of Wall run to finish cabinet side, adds .75" width.

# Wall Cabinets - Single door: WSxxzz-LH/RH

[\\*Return to Table of Contents](#)

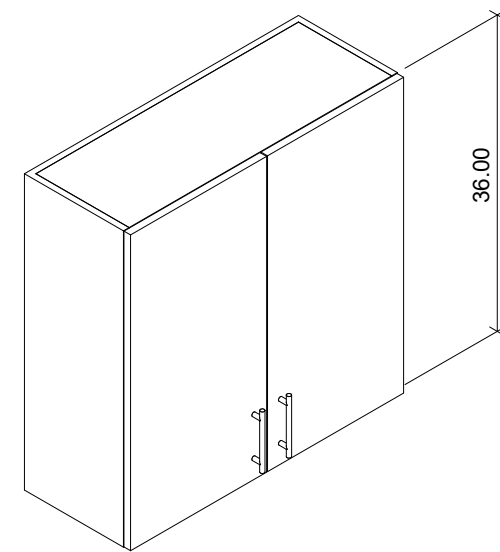


Rear View

Product Description	
WS: Single Door Wall Cabinets	
15" Height SKU	18" Height SKU
WS1215-LH	WS1218-LH
WS1215-RH	WS1218-RH
WS1515-LH	WS1518-LH
WS1515-RH	WS1518-RH
WS1815-LH	WS1818-LH
WS1815-RH	WS1818-RH
WS2115-LH	WS2118-LH
WS2115-RH	WS2118-RH
21" Height SKU	24" Height SKU
WS1221-LH	WS1224-LH
WS1221-RH	WS1224-RH
WS1521-LH	WS1524-LH
WS1521-RH	WS1524-RH
WS1821-LH	WS1824-LH
WS1821-RH	WS1824-RH
WS2121-LH	WS2124-LH
WS2121-RH	WS2124-RH
27" Height SKU	30" Height SKU
WS1227-LH	WS1230-LH
WS1227-RH	WS1230-RH
WS1527-LH	WS1530-LH
WS1527-RH	WS1530-RH
WS1827-LH	WS1830-LH
WS1827-RH	WS1830-RH
WS2127-LH	WS2130-LH
WS2127-RH	WS2130-RH
33" Height SKU	36" Height SKU
WS1233-LH	WS1236-LH
WS1233-RH	WS1236-RH
WS1533-LH	WS1536-LH
WS1533-RH	WS1536-RH
WS1833-LH	WS1836-LH
WS1833-RH	WS1836-RH
WS2133-LH	WS2136-LH
WS2133-RH	WS2136-RH
39" Height SKU	42" Height SKU
WS1239-LH	WS1242-LH
WS1239-RH	WS1242-RH
WS1539-LH	WS1542-LH
WS1539-RH	WS1542-RH
WS1839-LH	WS1842-LH
WS1839-RH	WS1842-RH
WS2139-LH	WS2142-LH
WS2139-RH	WS2142-RH

# Wall Cabinets - Double door: WSxxzz

[\\*Return to Table of Contents](#)

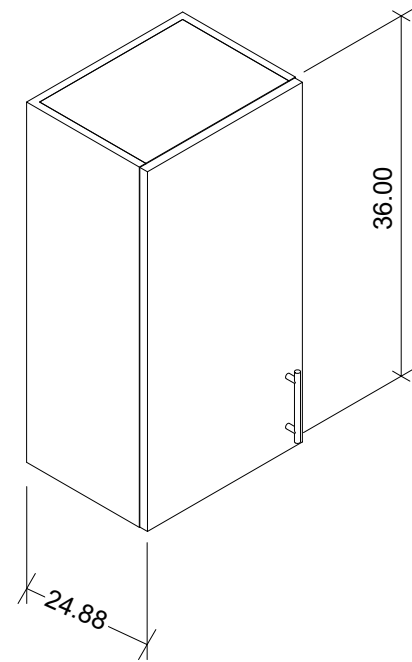


Product Description	
WS: Double Door Wall Cabinets	
12" Height SKU	18" Height SKU
WS3612	
15" Height SKU	18" Height SKU
WS2415	WS2418
WS2715	WS2718
WS3015	WS3018
WS3315	WS3318
WS3615	WS3618
WS3915	WS3918
WS4215	WS4218
21" Height SKU	24" Height SKU
WS2421	WS2424
WS2721	WS2724
WS3021	WS3024
WS3321	WS3324
WS3621	WS3624
WS3921	WS3924
WS4221	WS4224

Product Description	
WS: Double Door Wall Cabinets	
27" Height SKU	30" Height SKU
WS2427	WS2430
WS2727	WS2730
WS3027	WS3030
WS3327	WS3330
WS3627	WS3630
WS3927	WS3930
WS4227	WS4230
33" Height SKU	36" Height SKU
WS2433	WS2436
WS2733	WS2736
WS3033	WS3036
WS3333	WS3336
WS3633	WS3636
WS3933	WS3936
WS4233	WS4236
WS4536	WS4536
39" Height SKU	42" Height SKU
WS2439	WS2442
WS2739	WS2742
WS3039	WS3042
WS3339	WS3342
WS3639	WS3642
WS3939	WS3942
WS4239	WS4242
WS4539	WS4542
WS4839	WS4842

# Wall Cabinets - 24" Deep: WSxxzz-24

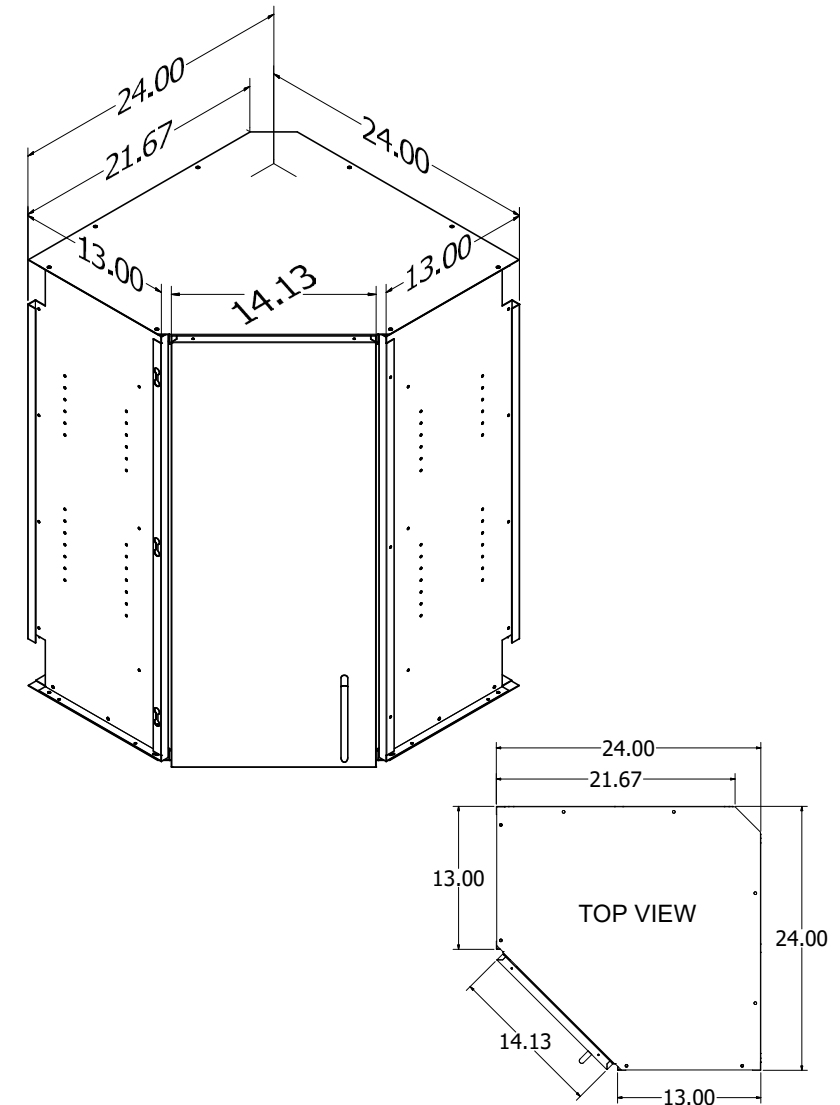
[\\*Return to Table of Contents](#)



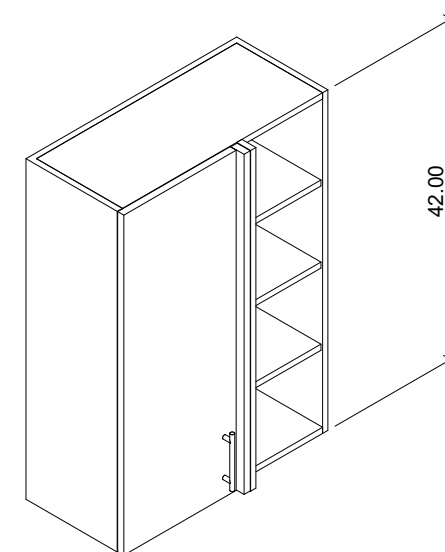
Product Description	
WS: 24" DEEP Double or Single Door Wall Cabinets	
12" Height SKU	
WS2412-24	
WS3012-24	
WS3612-24	
15" Height SKU	18" Height SKU
WS1515-24 (single)	WS1518-24 (single)
WS3315-24	WS3018-24
WS3615-24	WS3318-24
21" Height SKU	24" Height SKU
WS2421-24	WS1224-24
WS3321-24	WS3324-24
WS3621-24	WS3624-24
30" Height SKU	36" Height SKU
WS2430-24	WS2436-24
39" Height SKU	42" Height SKU
WS3039-24	WS3042-24

# Wall Cabinets - Diagonal Corner: WDCxx, Blind Corner: WBxxzz

[\\*Return to Table of Contents](#)



Product Description	
WDC: Diagonal Corner Wall Cabinets 13" deep to align with other Wall Cabinets, XX"H. 1 door.	
SKU	
WDC15-LH	
WDC15-RH	
WDC18-LH	
WDC18-RH	
WDC21-LH	
WDC21-RH	
WDC24-LH	
WDC24-RH	
WDC27-LH	
WDC27-RH	
WDC30-LH	
WDC30-RH	
WDC36-LH	
WDC36-RH	
WDC42-LH	
WDC42-RH	

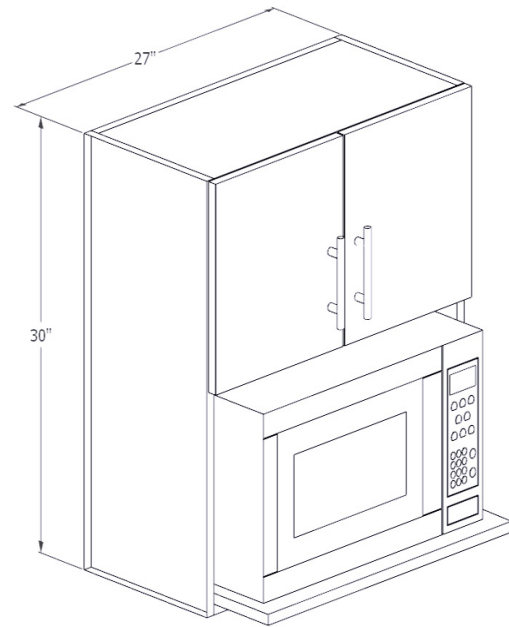


Product Description	
WB: Blind Corner Wall Cabinets, 13"D, 1 door.	
24" Height SKU	30" Height SKU
WB2724-LH	WB2730-LH
WB2724-RH	WB2730-RH
WB3024-LH	WB3030-LH
WB3024-RH	WB3030-RH
36" Height SKU	42" Height SKU
WB2736-LH	WB2742-LH
WB2736-RH	WB2742-RH
WB3036-LH	WB3042-LH
WB3036-RH	WB3042-RH



# Wall Cabinets - Microwave Cabinet: WMCxxzz

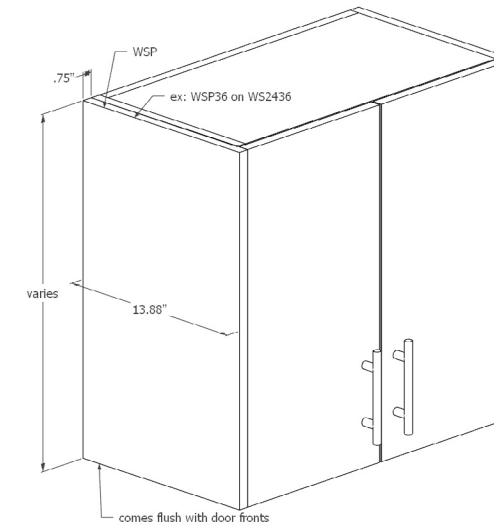
[\\*Return to Table of Contents](#)



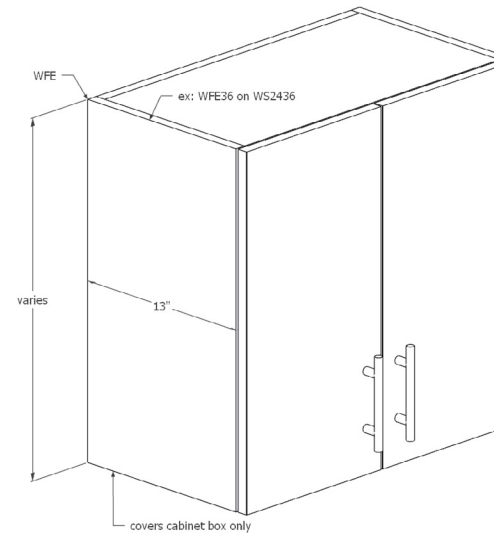
Product Description	
WMC: Wall Microwave Cabinets with 18"D shelf, #4 finish in 13.5" microwave area, 2 doors	
30" Height SKU	33" Height SKU
WMC2730	WMC2733
WMC3030	
36" Height SKU	42" Height SKU
WMC2436	WMC2742
WMC2736	WMC3042
WMC3036	

# Wall Accessories - Side Panels: WSP, Flush End Panels: WFE

[\\*Return to Table of Contents](#)



**Note:** Decorative side panels to match door fronts can be applied using Part: **WSP DECORATIVE L/R** and filling in the height (randging from 15"-42" in 3" increments), depth (13.88" or 24.88"), side (left or right), and door style.



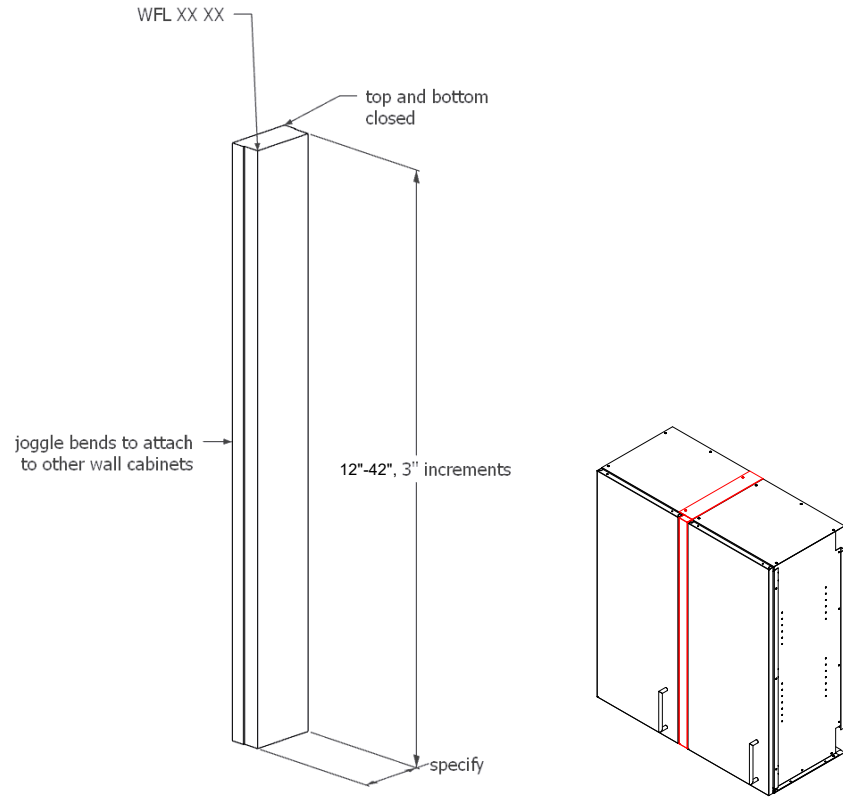
Product Description		
WSP: 3/4" Thick side panels for wall cabinets. XX"H, panels sit flush with door/drawer faces. Specify based on cabinet side and height.		
Example SKUs: WSP15L, WSP24R, WSP36L, WSP42R		
Wall Cabinet Side Panel Nomenclature		
Example: WSP15L		
WSP	XX	X
<b>Prefix</b>	<b>Height</b>	<b>Side</b>

Product Description
Decorative Wall Side Panel. <b>SPECIFY</b> which Wall Cabinet this is being installed on and Door style. Pricing TBD by sales--match decorative OSP cost based on door style.
Wall Cabinet Side Panel SKUs
<b>WSP DECORATIVE L</b>
<b>WSP DECORATIVE R</b>

Product Description
WFE: Flush side panels for wall cabinets. 13"W, panels sit flush with cabinet box. Specify based on cabinet side and height.
Example SKUs: WFE18L, WFE21R, WFE33L, WFE39R

# Wall Accessories - Front Fillers: WFL

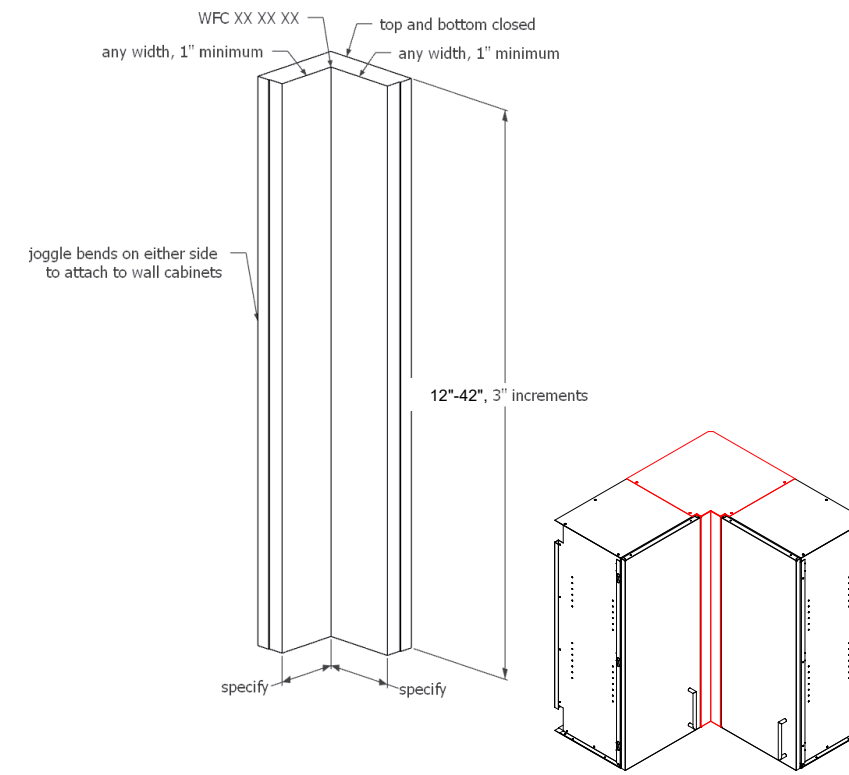
[\\*Return to Table of Contents](#)



Product Description		
WFL: Wall cabinet front filler, sits flush with door faces, attaches between two wall cabinets. 1"W minimum, available in 1/8" increments as needed.		
Wall Cabinet Front Filler Nomenclature		
Example: WFL 30 3.75		
WFL	XX	XX
Prefix	Height	Width
Example SKUs: WFE18L, WFE21R, WFE33L, WFE39R		

# Wall Accessories - Corner Fillers: WFC, WFL END

[\\*Return to Table of Contents](#)



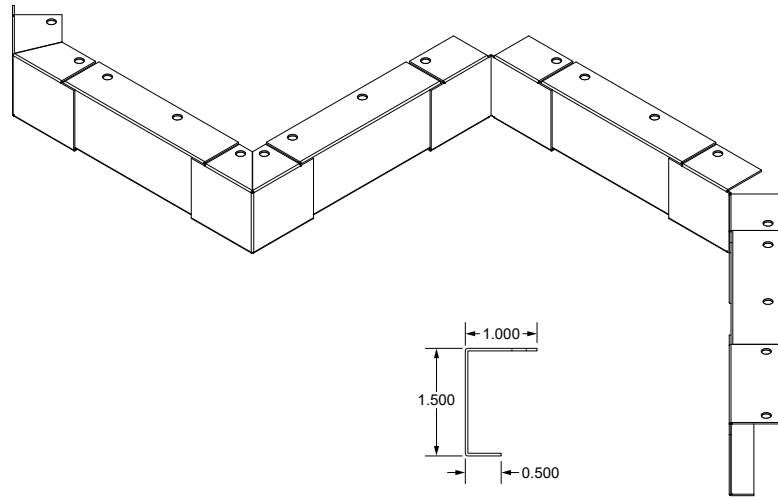
Product Description			
WFC: Wall cabinet front 90-degree corner filler, sits flush with door faces, attaches between two wall cabinets. 2"W overall, 1"W minimum on each side of bend, available in 1/8" increments as needed.			
Wall Cabinet Front Filler Nomenclature			
Example: WFC 24 3.63 2.00			
WFC	XX	XX	XX
Prefix	Height	Left Dim.	Right Dim.
Example SKUs: WFC 18 4.00 4.00, WFC 36 3.50 3.00			



Product Description		
WFL END: Front wall cabinet end filler, sits flush with door faces, attaches between a wall cabinet and a wall. 0.5"W minimum, available in 1/8" increments as needed. Joggle bend on one side to attach to cabinet, flat bend on other side for easy installation to wall, specify side.		
Wall Cabinet Front End Filler Nomenclature		
Example: WFL END 30 3.75		
WFL	XX	XX
Prefix	Height	Width
Example SKUs: WFL END 30 2.88, WFL END 42 2.13		

# Wall Accessories - Light Rail: WLR xx yy zz, PVC Cleat

[\\*Return to Table of Contents](#)

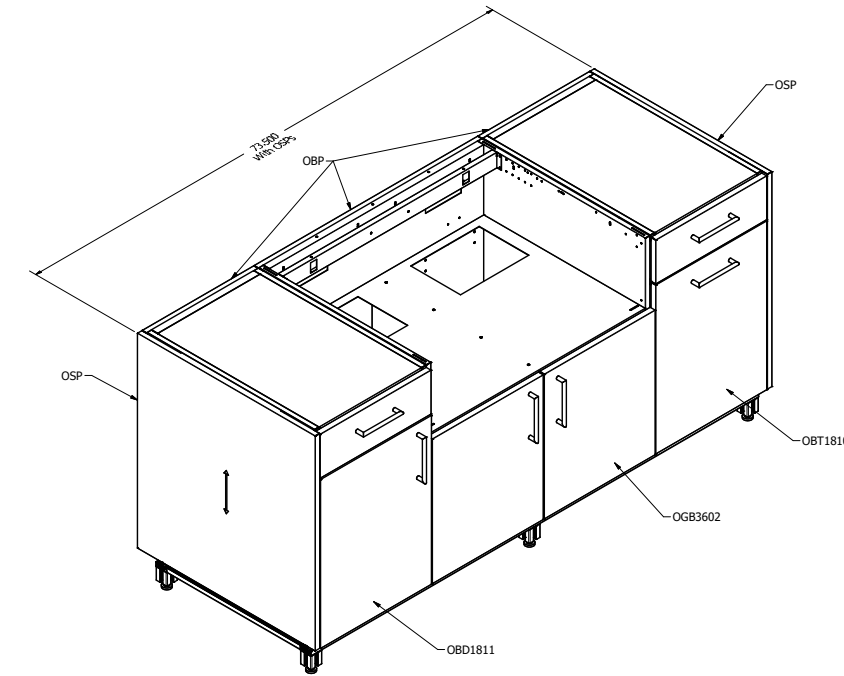


Product Description		
Light Rail – Stainless light rail for wall cabinets. Comes in 84" lengths, cut onsite as needed. Can be powder coated to match cabinets.		
SKU		
Light Rail	1.5"H	3.0"H
Straight Length	WLR STRAIGHT 1.5	WLR STRAIGHT 3.0
90-degree inside corner	WLR 90 IN 1.5	WLR 90 in 3.0
90-degree outside corner	WLR 90 OUT 1.5	WLR 90 OUT 3.0
135-degree inside corner	WLR 135 IN 1.5	WLR 135 IN 3.0
135-degree outside corner	WLR 135 OUT 1.5	WLR 135 OUT IN 3.0
Straight Splice	WLR SPLICE 1.5	WLR SPLICE 3.0

Product Description
PVC Cleat: Required cleat for hanging wall cabinets. Comes in 60" x 3"H lengths, cut onsite as needed.

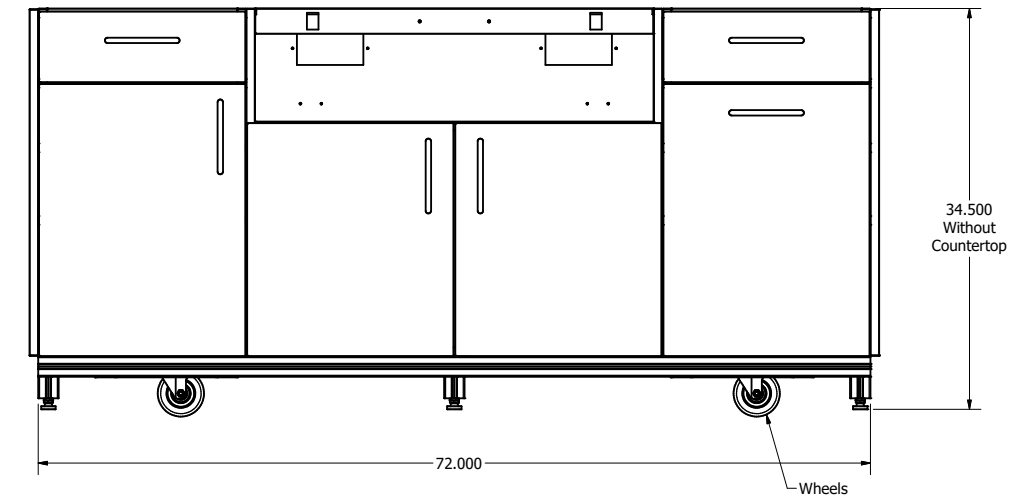
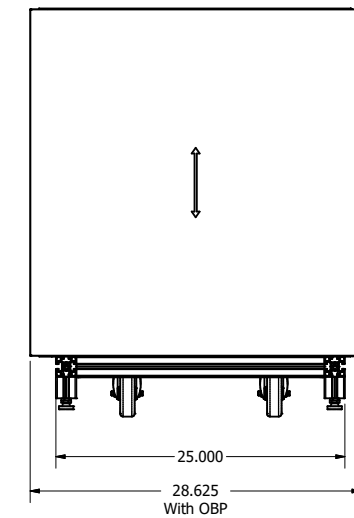
# Rolling Carts

[\\*Return to Table of Contents](#)



6' Rolling Cart W/Cabinets

Product Description
Rolling Cart w/ locking glides. Add individual 27" depth cabinets and choose applicable options including Rolling Cart Skid. Equal Back Panels (any door style) required for stability.
SKU
ROLLING CART 48"
ROLLING CART 54"
ROLLING CART 60"
ROLLING CART 66"
ROLLING CART 72"



6' Rolling Cart W/Cabinets

# Island Insert Cabinets

[\\*Return to Table of Contents](#)

Designers and builders of masonry island kitchens are now offered a complete line of door, drawer/drawer, drawer combinations and pullout cabinetry to construct a totally functional kitchen. The line features the optional Clean-Stor® box that attaches to door fronts to create useful storage and organization. The Clean-Stor box eliminates the infamous “masonry black hole” that lurks behind access doors. The steel construction is superior to presently used insert materials that are subject to warping, rotting and mildew. The Clean-Stor box comes with a shelf and provides clean dry storage.

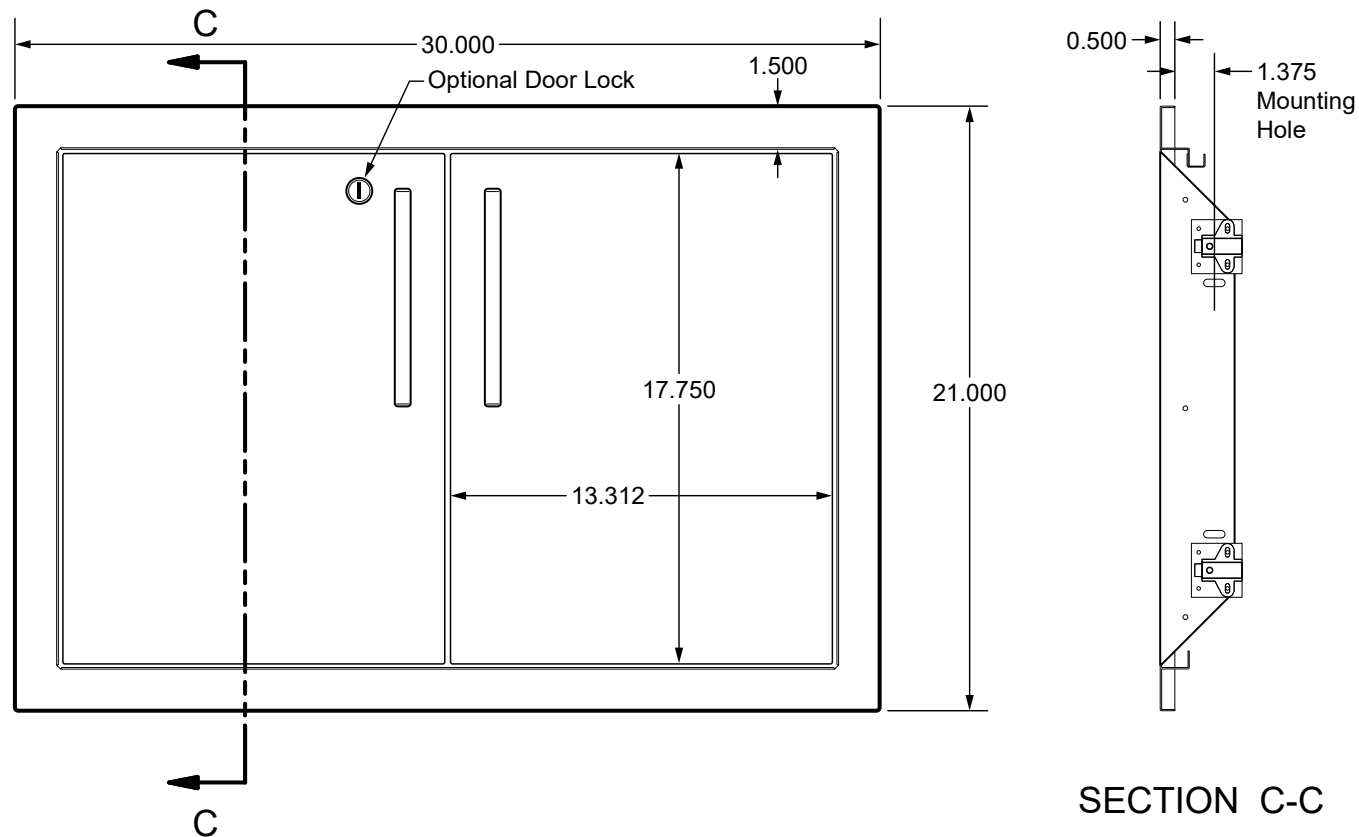
Doors exhibit the same stainless quality, “heft & weight” and solid close as the modular cabinetry line allowing additional design flexibility by using both lines to create the ideal kitchen while retaining a consistent “look”.

Door and drawer faces can be upgraded to any door style and be powder coated to compliment your outdoor kitchen.

The insert line includes:

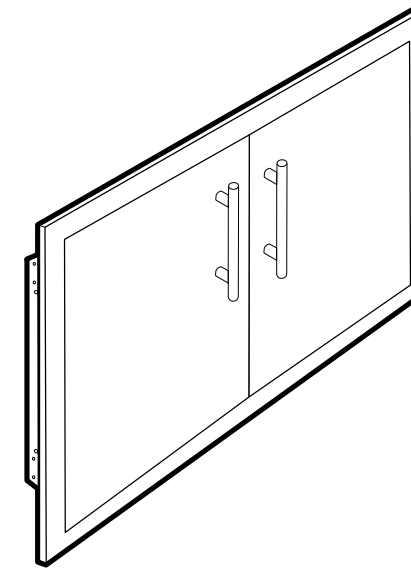
- One and Two Drawer Units
- Door and Drawer Combination Units
- One and Two Door (and frame) Units
- Paper Towel Dispenser
- Trash and Propane Pullouts

Access Door Inserts may be purchased with just the frame and doors or combined with the “Clean-Stor” box as a complete unit.



# Island Insert Cabinets - Access Doors: IDRxxzz-1, IDRxxzz-2

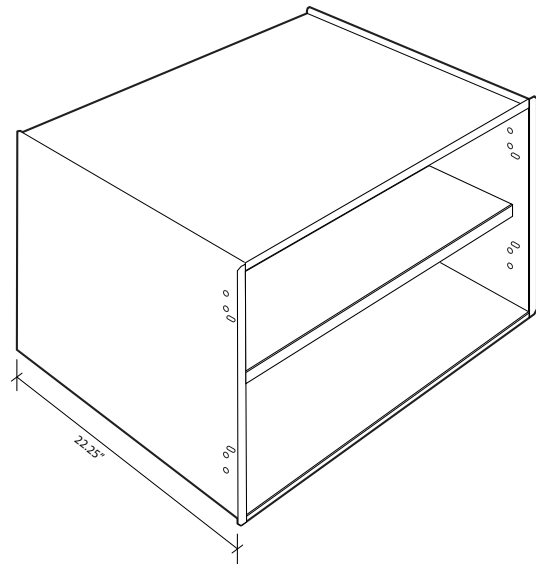
[\\*Return to Table of Contents](#)



Product Description		
IDR: Access Door		
SKU		
SKU	Description	Cut Out Size
IDR1621-1	16"W x 21"H Frame, One Flush Access Door	13 <sup>5</sup> / <sub>8</sub> "W x 19 <sup>1</sup> / <sub>2</sub> "H
IDR1725-1	17"W x 25"H Frame, One Flush Access Door	14 <sup>5</sup> / <sub>8</sub> "W x 23 <sup>1</sup> / <sub>2</sub> "H
IDR2121-1	21"W x 21"H Frame, One Flush Access Door	18 <sup>5</sup> / <sub>8</sub> "W x 19 <sup>1</sup> / <sub>2</sub> "H
IDR2721-2	27"W x 21"H Frame, Two Flush Access Doors	24 <sup>5</sup> / <sub>8</sub> "W x 19 <sup>1</sup> / <sub>2</sub> "H
IDR3021-2	30"W x 21"H Frame, Two Flush Access Doors	27 <sup>5</sup> / <sub>8</sub> "W x 19 <sup>1</sup> / <sub>2</sub> "H
IDR3025-2	30"W x 25"H Frame, Two Flush Access Doors	27 <sup>5</sup> / <sub>8</sub> "W x 23 <sup>1</sup> / <sub>2</sub> "H
IDR3621-2	36"W x 21"H Frame, Two Flush Access Doors	33 <sup>5</sup> / <sub>8</sub> "W x 19 <sup>1</sup> / <sub>2</sub> "H
IDR4221-2	42"W x 21"H Frame, Two Flush Access Doors	39 <sup>5</sup> / <sub>8</sub> "W x 19 <sup>1</sup> / <sub>2</sub> "H

# Island Insert Cabinets - Clean-Stor® Box with Shelf

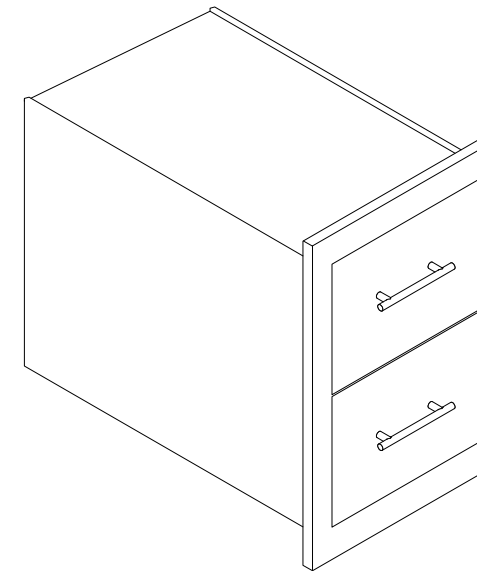
[\\*Return to Table of Contents](#)



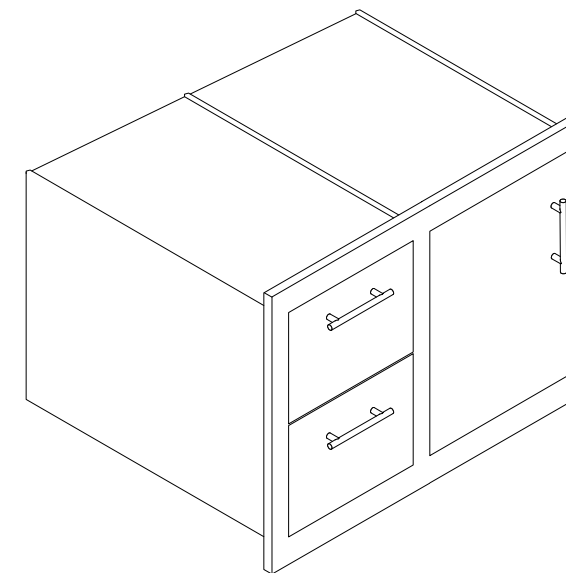
Product Description	
Galvanized Storage Box to install behind frame (order at the same time as Access Doors). NOTE: All Clean-Stor® boxes are 22¼" Deep	
24" Depth SKU	Description
IDR1621-B	Clean-Stor® storage box for IDR1621
IDR1725-B	Clean-Stor® storage box for IDR1725
IDR2121-B	Clean-Stor® storage box for IDR2121
IDR2721-B	Clean-Stor® storage box for IDR2721
IDR3021-B	Clean-Stor® storage box for IDR3021
IDR3025-B	Clean-Stor® storage box for IDR3025
IDR3621-B	Clean-Stor® storage box for IDR3621
IDR4221-B	Clean-Stor® storage box for IDR4221

# Island Insert Cabinets - Clean-Stor® Box Drawer Sets: IDWxxzz

[\\*Return to Table of Contents](#)



Product Description		
IDW: Drawer Sets		
SKU		
SKU	Description	Cut Out Size
IDW1621-2	16"W x 21"H Frame, Two Drawers w/box	13 <sup>5</sup> / <sub>8</sub> "W x 19 <sup>1</sup> / <sub>2</sub> "H
IDW1630-3	16"W x 30"H Frame, Two Drawers w/box	13 <sup>5</sup> / <sub>8</sub> "W x 28 <sup>1</sup> / <sub>2</sub> "H

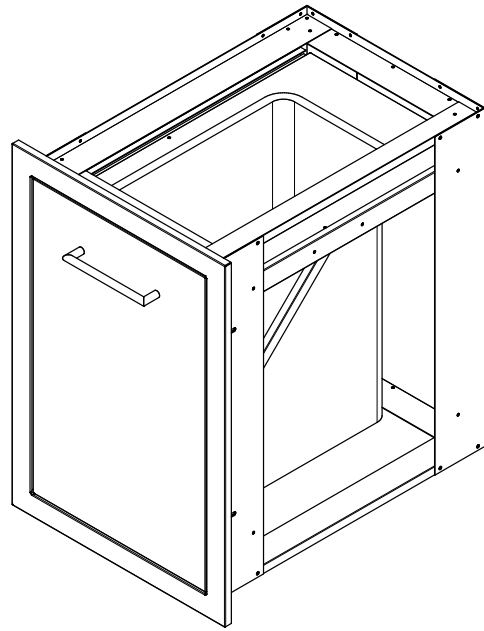


Product Description		
IC: Door and Drawer Sets		
SKU		
SKU	Description	Cut Out Size
IC3021-21	30"W x 21"H Frame, Two Drawers, One door, 2 Separate boxes. Specify drawers on left or right of door.	27 <sup>5</sup> / <sub>8</sub> "W x 19 <sup>1</sup> / <sub>2</sub> "H



# Island Insert Cabinet - Accessories

[\\*Return to Table of Contents](#)



Product Description		
Insert: Accessories		
SKU		
SKU	Description	Cut Out Size
ITR1725	17"W x 25"H Frame with Trash Pull Out	14 <sup>5</sup> / <sub>8</sub> "W x 23 <sup>1</sup> / <sub>2</sub> "H
IPR1725	17"W x 25"H Frame with Propane Pull Out	14 <sup>5</sup> / <sub>8</sub> "W x 23 <sup>1</sup> / <sub>2</sub> "H
IPT1711	17"W x 11"H Paper Towel Dispenser	15 <sup>1</sup> / <sub>2</sub> "W x 8 <sup>5</sup> / <sub>8</sub> "H

