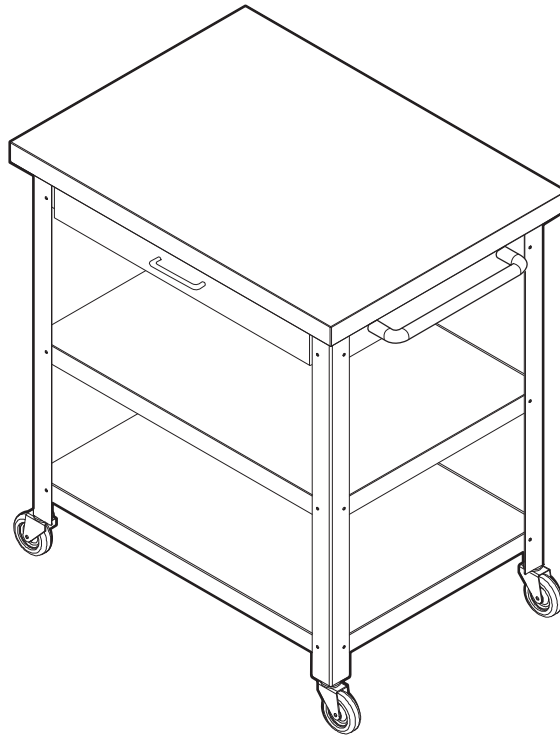


Danver™



Assembly Guide: Stainless Steel Kitchen Cart

IMPORTANT: READ FIRST

- DO NOT climb on unit.
- DO NOT step or sit on shelves or drawers.
- Check the parts list to make sure all parts are included and in good condition.
- Read and follow each step carefully. It is very important that each step of instruction is performed in the correct order.
- To clean the product, use a general purpose cleaner and a soft cloth.

Stainless Steel Cleaning

The following are some important tips on cleaning your stainless steel:

- There are a number of reliable stainless steel cleaners on the market
- Use only alkaline, alkaline-chlorinated or non-chloride cleaners
- Avoid hydrochloric acid (muriatic acid) on your stainless steel
- Always use a non-abrasive cleaning tool such as a soft cloth or plastic scouring pad
- Avoid steel pads, wire brushes and scrapers
- Always clean in the direction of the polishing marks by locating the lines or grain and scrub in a motion parallel to them
- If you do end up using a chlorinated cleaner, be sure to rinse thoroughly and dry it, immediately
- Air dry your equipment

LIMITED 5 YEAR WARRANTY

Danver warrants this product to be free from defects in material and workmanship and agrees to remedy any such defect. This warranty covers five years from date of original purchase. This is solely limited to the repair or replacement of defective furniture components and no assembly labor is included.

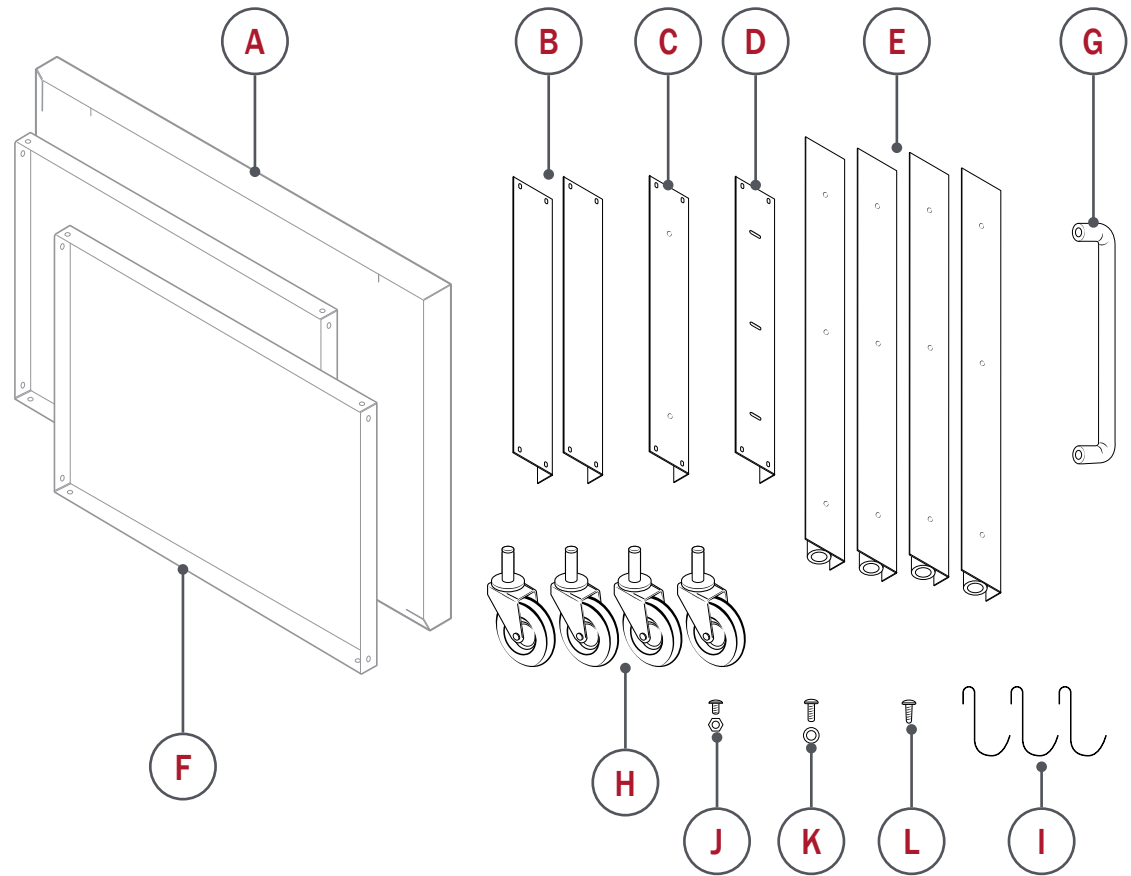
This warranty does not apply to any product which has been improperly assembled, subjected to misuse or abuse or which has been altered or repaired in any way. Liability for consequential damages is excluded to the extent exclusion is permitted by law. This warranty gives you specific legal rights. Additional warranty rights may be provided by law in some areas.

To obtain warranty services, purchaser must present original bill of sale. Components repaired or replaced are warranted through the remainder of the original warranty period only. The defective components will be repaired or replaced without charge, subject to the terms and conditions described above.

INSTALLATION SITE PREP

Parts List:

ITEM	DESCRIPTION	QTY.
A	Top*	1
B	Front/Back Skirt	2
C	Towel Bar Skirt**	1
D	Utensil Hanger Skirt	1
E	Legs	4
F	Shelves	2
G	Towel Bar**	1
H	Casters	4
I	Utensil Hanger Hook	3
J	Small Screw & Nut	34
K	Large Screw & Washer (located in handle)	2
L	Wood Screws	14



Basic Notes on Installation:

Required Tools:		
Pair of pliers	#2 Phillips head manual screw driver	Medium sized Slot head manual screw driver

- Work in a spacious area, preferably on a carpet or rug.

* Danver does not provide tops other than stainless steel. Carts can be ordered without a top so that you may install a custom top of your choice. Wood screws not provided for topless carts.

** C0322 model only

INSTALLATION TIPS AND SITE PREP

Installation Resources:

For additional resources, such as installation videos, PDF instructions and cleaning guides, visit:

danver.com/resources

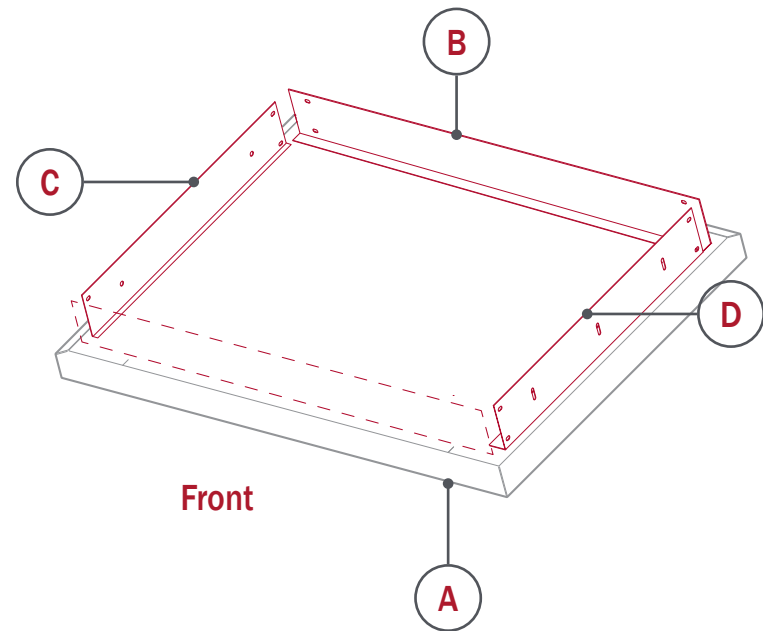
ASSEMBLY: Top and Skirt

Compare and verify product number(s) on box(es) to the order and packing list.
Carefully unpack cabinets.

1. Pre-drill hole if needed, 1/8" dia. x 1" deep maximum. Only drill the hole for the optional drawer (if needed).
2. Place the Top (A), face down on a clean, flat surface.
3. Place the short side of the Front Skirt (B) on the underside of the Top with the Skirt long side facing the outer edge of the Top.
4. Fasten the Front Skirt using 3 wood screws (L).

NOTE: The Front Skirt is not used if the optional Drawer has been purchased.

5. Repeat for the Back Skirt (B).
6. Repeat for the Handle Bar Skirt (C) and the Tool Hanger Skirt (D), using 2 wood screws (L).



ASSEMBLY: Handle Bar (C3022 only)

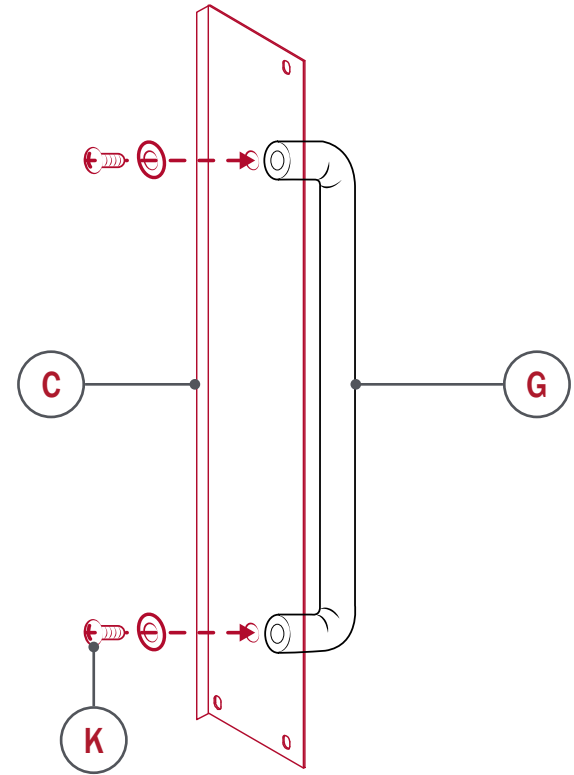
1. Install the Towel Bar (G) using the Large Screws and Washers (K).

NOTE: The screw and washer arrive inserted into the Handle Bar.

2. Place the washer over the screw.

3. Install by placing the screw/washer through the Towel Skirt (C) into the Towel Bar (G).

4. Repeat for the opposite end.

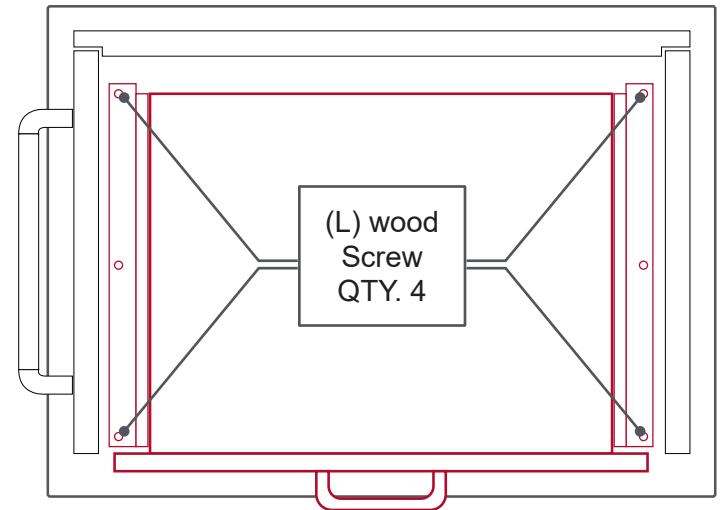
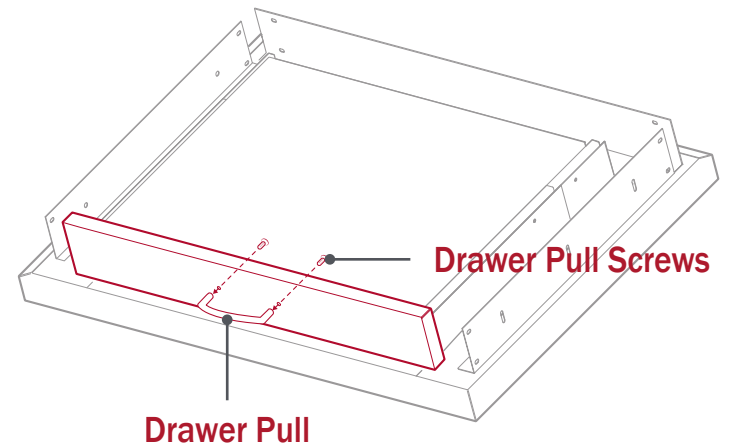


ASSEMBLY: Optional Drawer

Follow these steps only if you have the optional add-on drawer.

Required Items: Drawer and 4 - wood screws (L)

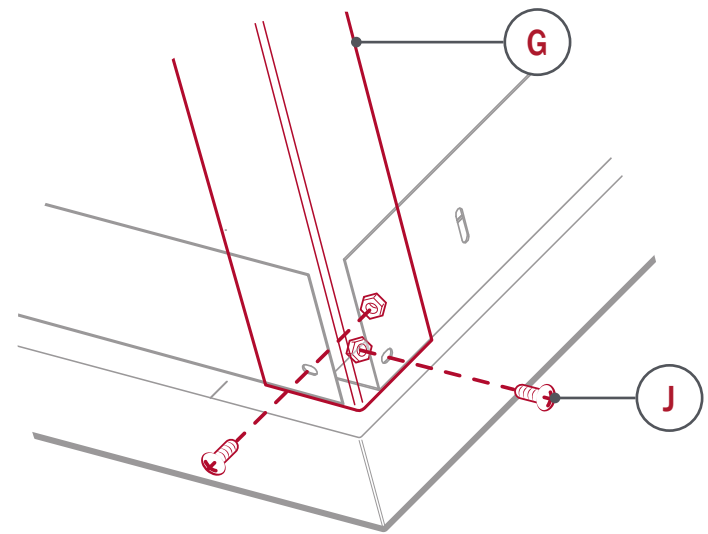
1. Attach the Drawer Pull to the front of the Drawer using the screws provided with the Drawer Pull.
2. Place the Drawer with the open side down on the Top (A) with the Drawer front at the opening vacated by the Front Skirt.
3. Align the four mounting holes and use 4 wood screws (L) to fasten the drawer to the Top (A).



ASSEMBLY: Legs

1. Place one leg at a corner formed by two skirts from the outside, setting the leg on the bottom of the Top (A).

NOTE: Observe the proper leg orientation. The caster end of the leg should be the end that is up.



2. Use a straight head screwdriver to fasten 2 - Small screws and nuts (J). Place the screw head on the outside of the leg, and the nuts on the inside of the skirt.
3. Repeat for all legs.

ASSEMBLY & INSTALLATION: Shelving

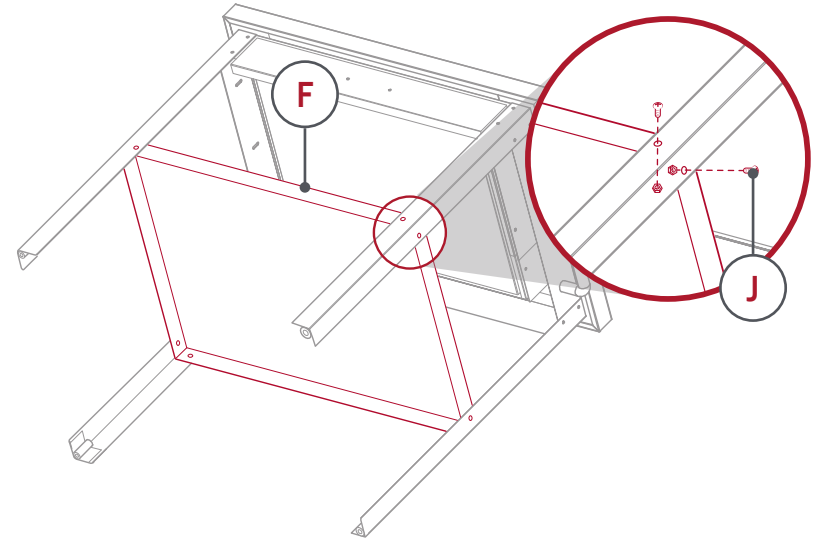
Middle Shelf

1. Place the cart onto one side.

NOTE: Place the grill cabinet on the level surface first since it is the most difficult to move around.

2. Place one Shelf in the middle of the legs with the open side facing the caster end of the legs. Align the holes in the shelf with the holes in the middle of the legs.
3. Use 2- Small screws and nuts (J) to fasten the shelf to the legs. Do not tighten.

NOTE: Place the screw from the outside of the legs and the nut from the inside of the shelf. Rotate the cart as needed to install all screws.

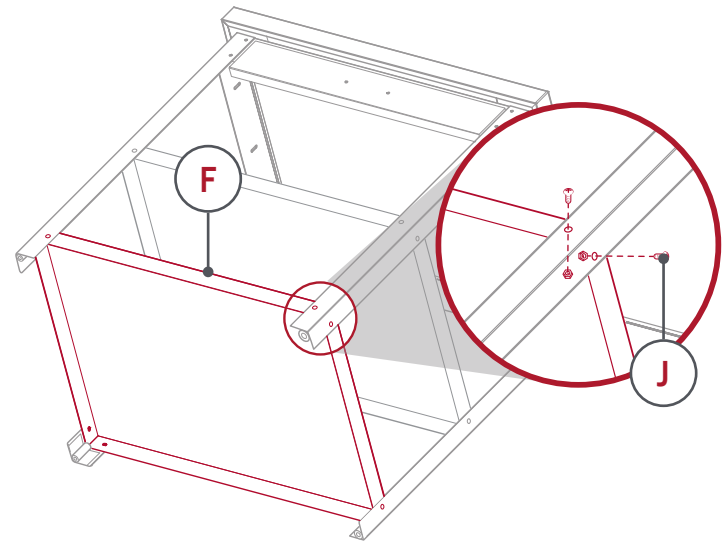


Lower Shelf

4. Place second Shelf at the end of the legs with the open side facing the caster end of the legs. Align the holes in the shelf with the middle holes in the legs.
5. Use 2- Small screws and nuts (J) to fasten the shelf to the legs. Do not tighten.

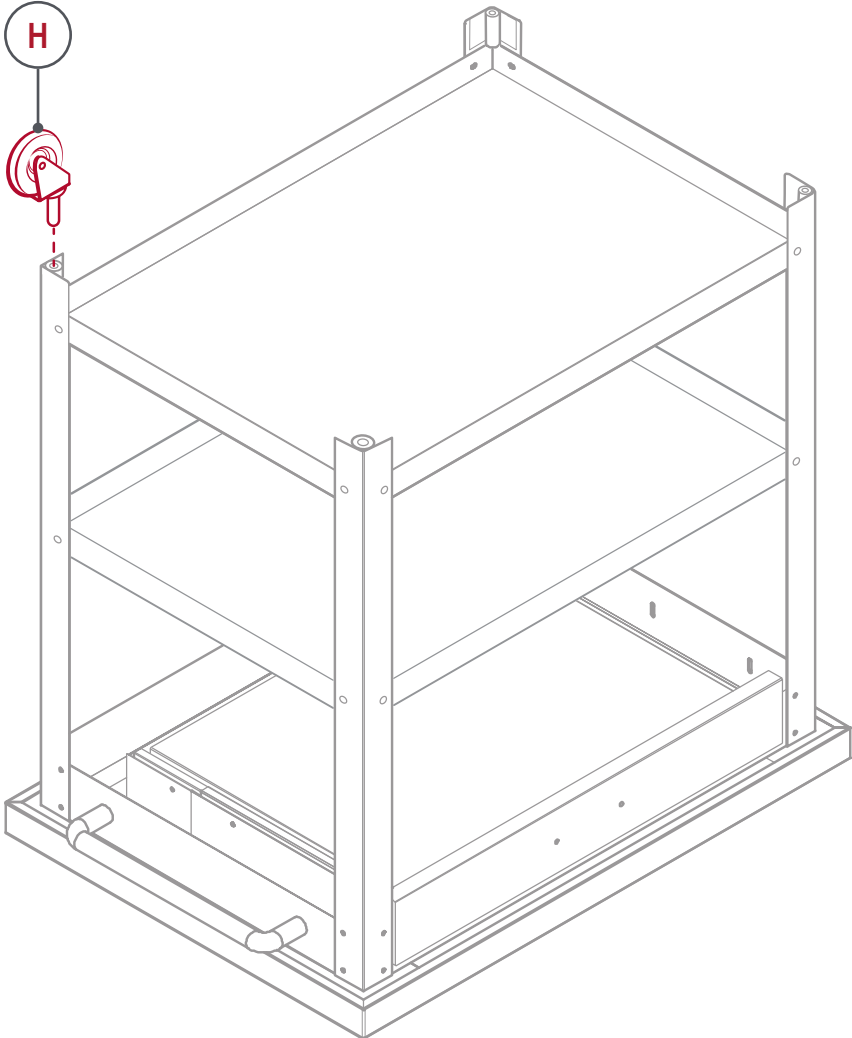
NOTE: Place the screw from the outside of the legs and the nut from the inside of the shelf. Rotate the cart as needed to install all screws.

6. Place the cart with the Top (A) down. Install the remaining screws and nuts to the Legs and Shelves. Fully Tighten all shelving screws.



ASSEMBLY: Casters

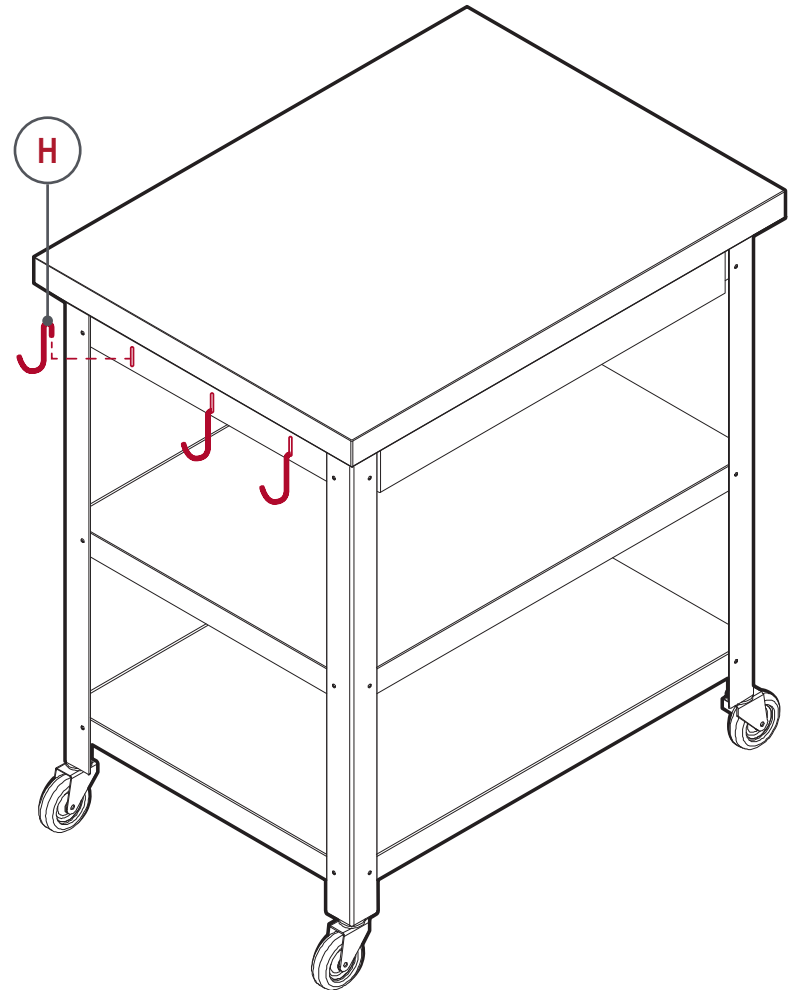
- 1. Insert the stem end of the caster (H) into the hole at the end of each leg. Press firmly until it seats.



ASSEMBLY & INSTALLATION: Cabinet Installation/Joining Cabinets

1. Move the casters into the locked position. Carefully flip the cart onto the casters.
2. Hang the small loop end of the Utensil Hanger Hook with the oblong opening in the Utensil hanger skirt.
3. View the completed cart.

Note: If your cart appears “Out of square”, loosen the small screws and nuts (J) fastening the legs and adjust until square and tighten.



NOTES

NOTES

NOTES

NOTES

