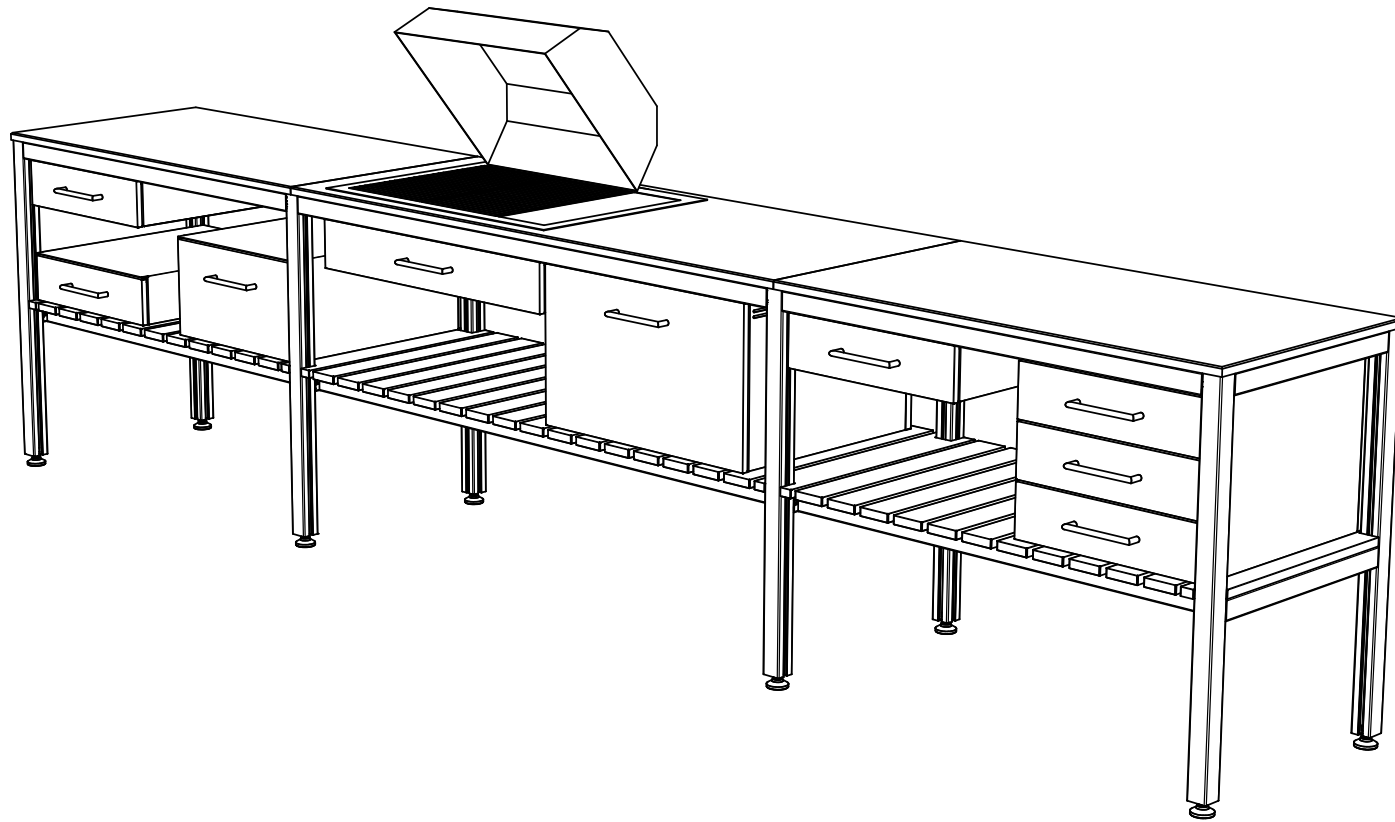


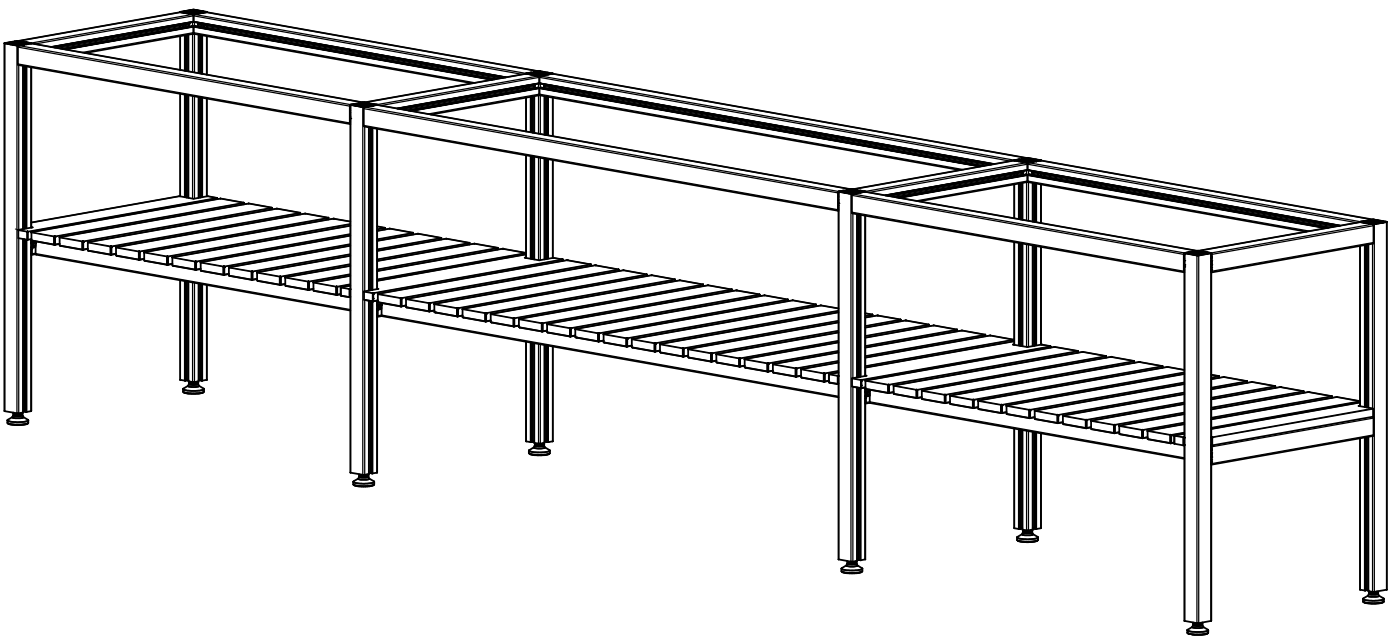
**Danver™**



# Assembly Guide: Cosmopolitan Kitchen

# TABLE OF CONTENTS

IMPORTANT: READ FIRST	3
Stainless Steel Cleaning	3
Unboxing   Hardware   Required Tools	4
Assembly: Single Kitchen Section	5
Assembly: Attaching Kitchen Sections	11
Assembly: Attaching Shelf Accessory	18
Assembly: Attaching Top Mount Accessory	26



# IMPORTANT: READ FIRST

---

- **DO NOT climb on unit.**
- **DO NOT step or sit on shelves or drawers.**
- **Read and follow each step carefully. It is very important that each step is performed in the correct order.**

## Stainless Steel Cleaning

The following are some important tips on cleaning your stainless steel:

- There are a number of reliable stainless steel cleaners on the market
- Use only alkaline, alkaline-chlorinated or non-chloride cleaners
- Avoid hydrochloric acid (muriatic acid) on your stainless steel
- Always use a non-abrasive cleaning tool such as a soft cloth or plastic scouring pad
- Avoid steel pads, wire brushes and scrapers
- Always clean in the direction of the polishing marks by locating the lines or grain and scrub in a motion parallel to them
- If you do end up using a chlorinated cleaner, be sure to rinse thoroughly and dry it, immediately
- Air dry your equipment

## Resources

For additional resources, such as installation videos, PDF instructions or cleaning guides, visit: [danver.com/resources](http://danver.com/resources)

# Unboxing

---

## Unboxing Instructions

- Ensure a clear and safe space for assembly.
- Remove Ends, Transitions, Rails and Shelf from box.
- Locate and remove the hardware kits.
- Make sure adequate hardware is present for number of sections purchased

## Hardware

DESCRIPTION	QTY.
T-Bolts	4 per Section
M8 Flange Nuts	4 per Section
1/4-20 Bolts	4 per Shelf Accessory

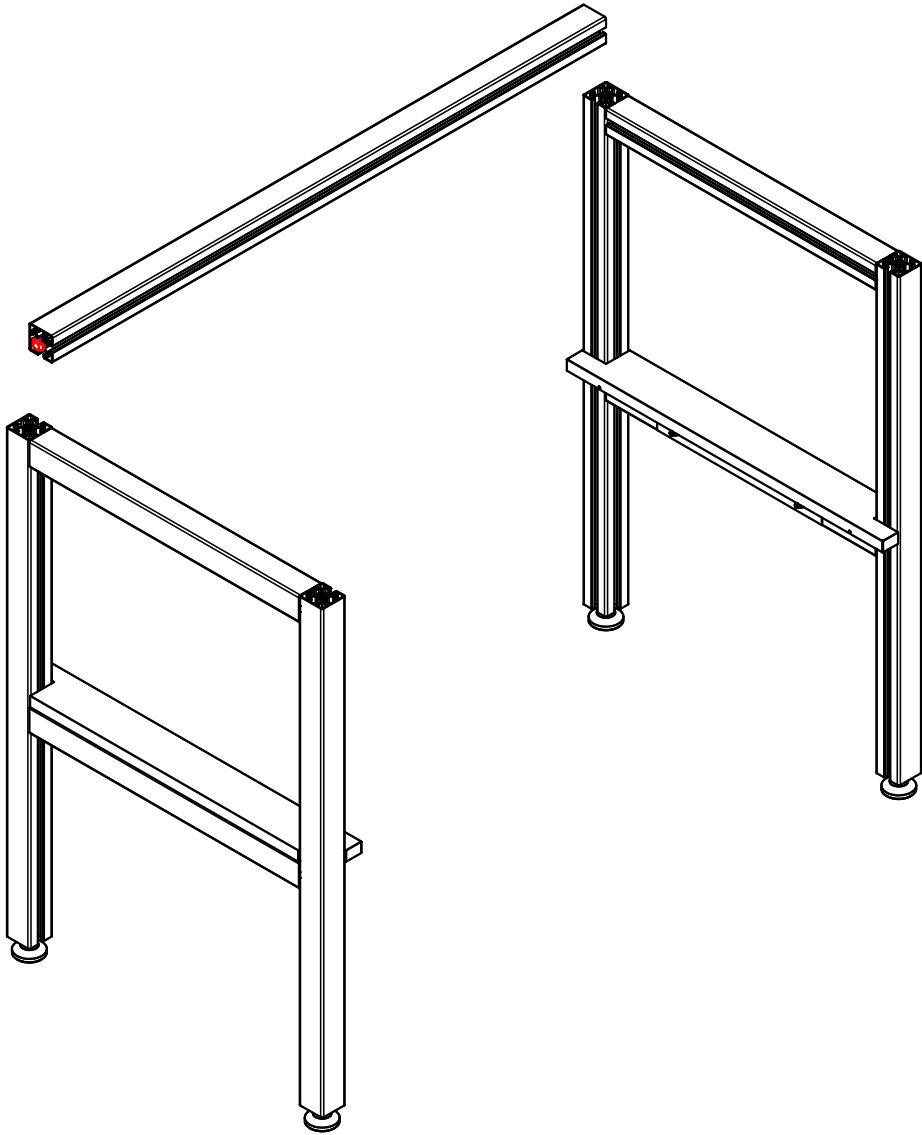
## Required Tools

- Allen Wrench (provided)
- Power Screw Driver with #2 Phillips Head Bit
- #2 Phillips head manual screw driver
- Adjustable Wrench
- Level

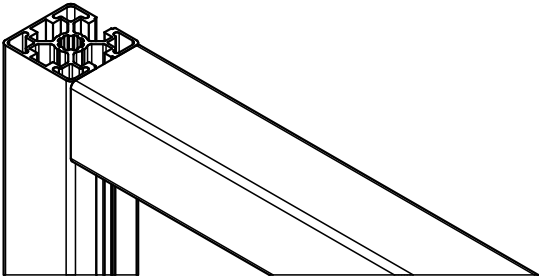
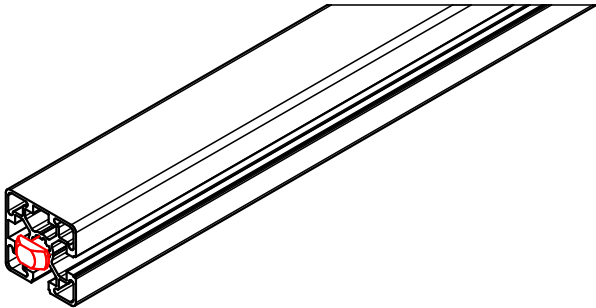
# ASSEMBLY: Single Kitchen Section



Two people are required for this step

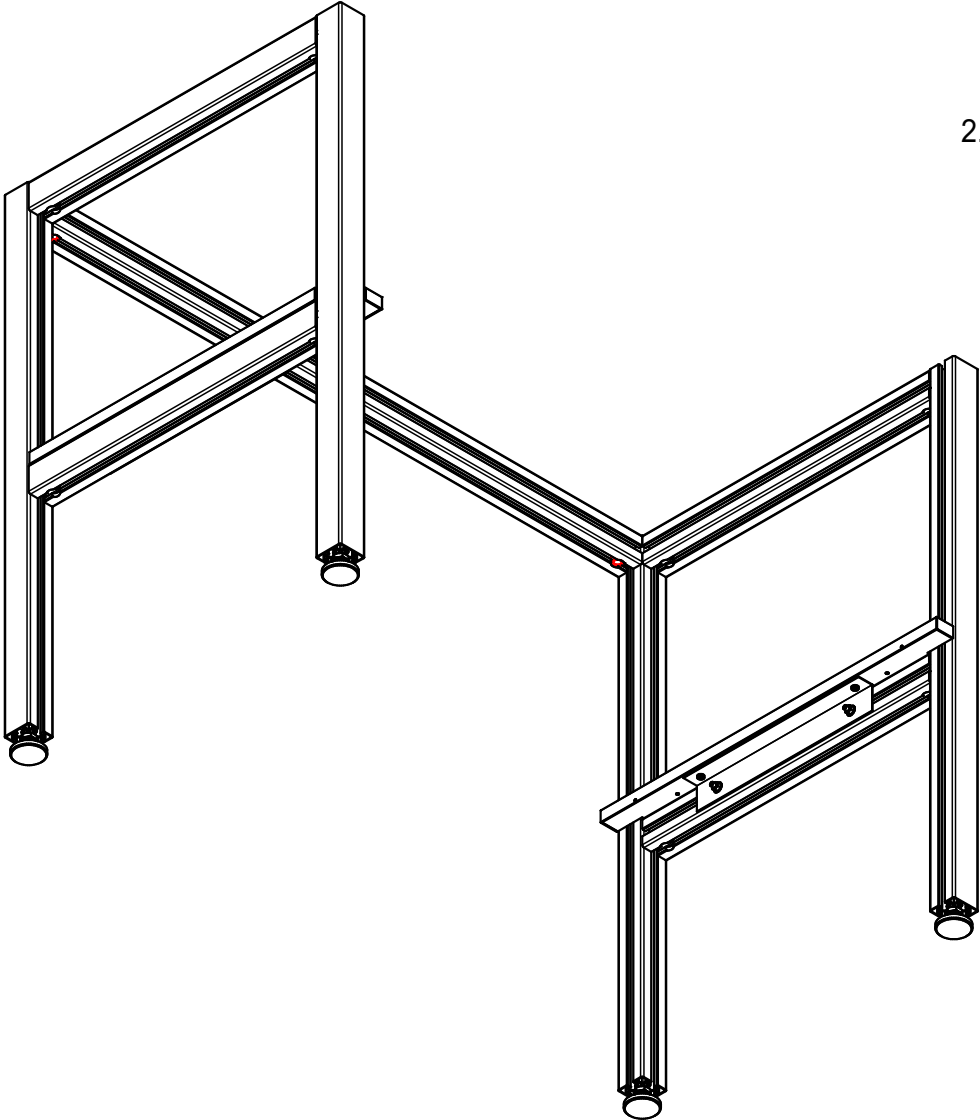


1. Slide Connectors on Rail into Channels on Legs.

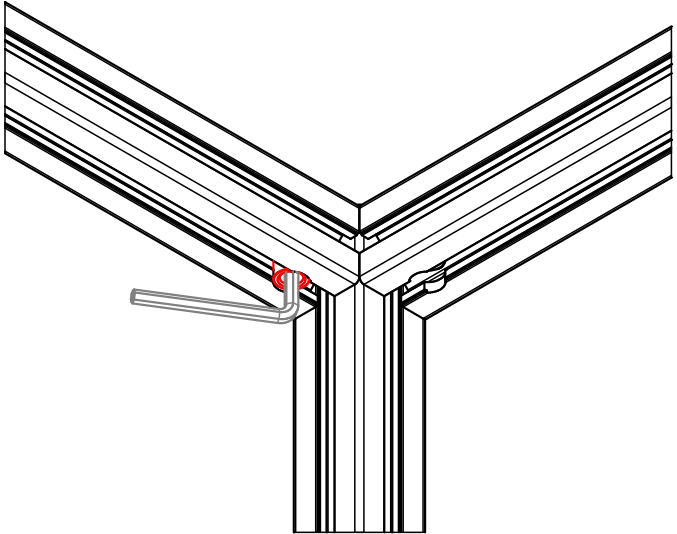


# ASSEMBLY: Single Kitchen Section

---

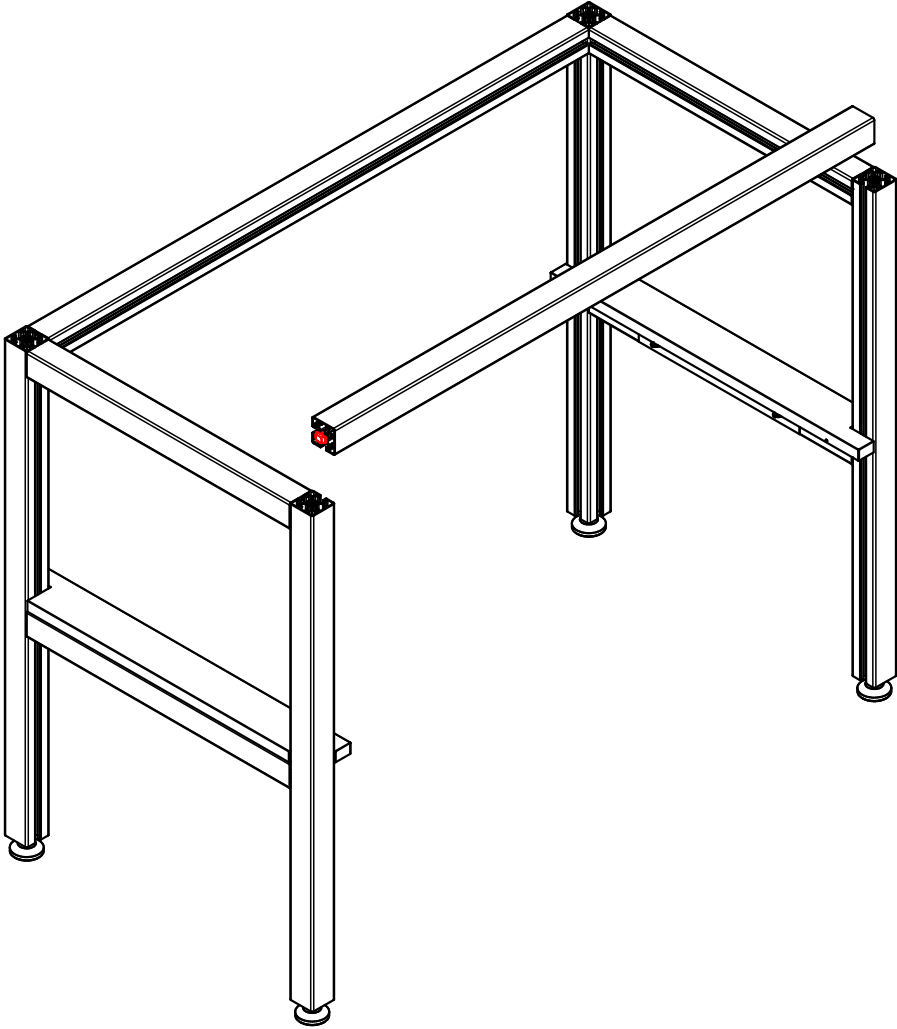


2. Align Rail Flush with Top of Leg and Tighten Connectors (2x).

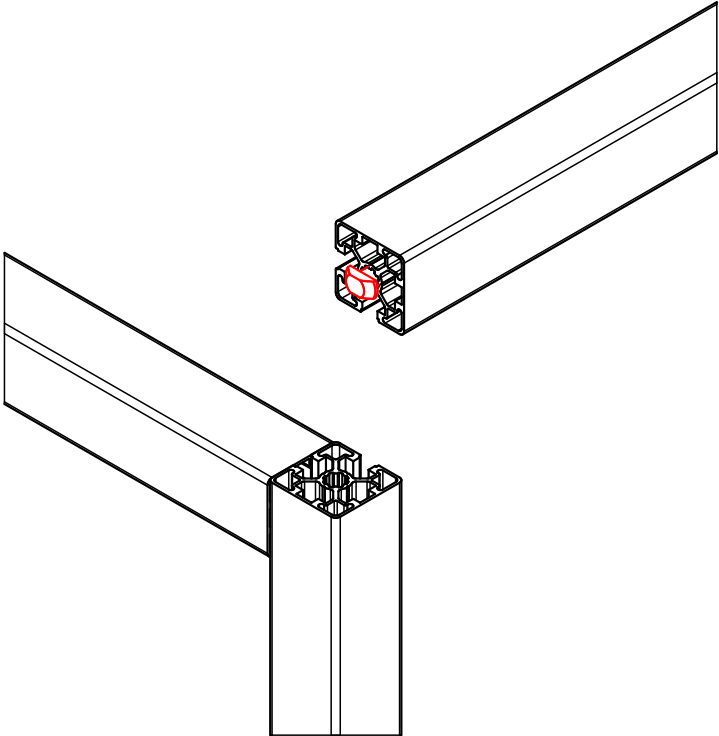


# ASSEMBLY: Single Kitchen Section

---

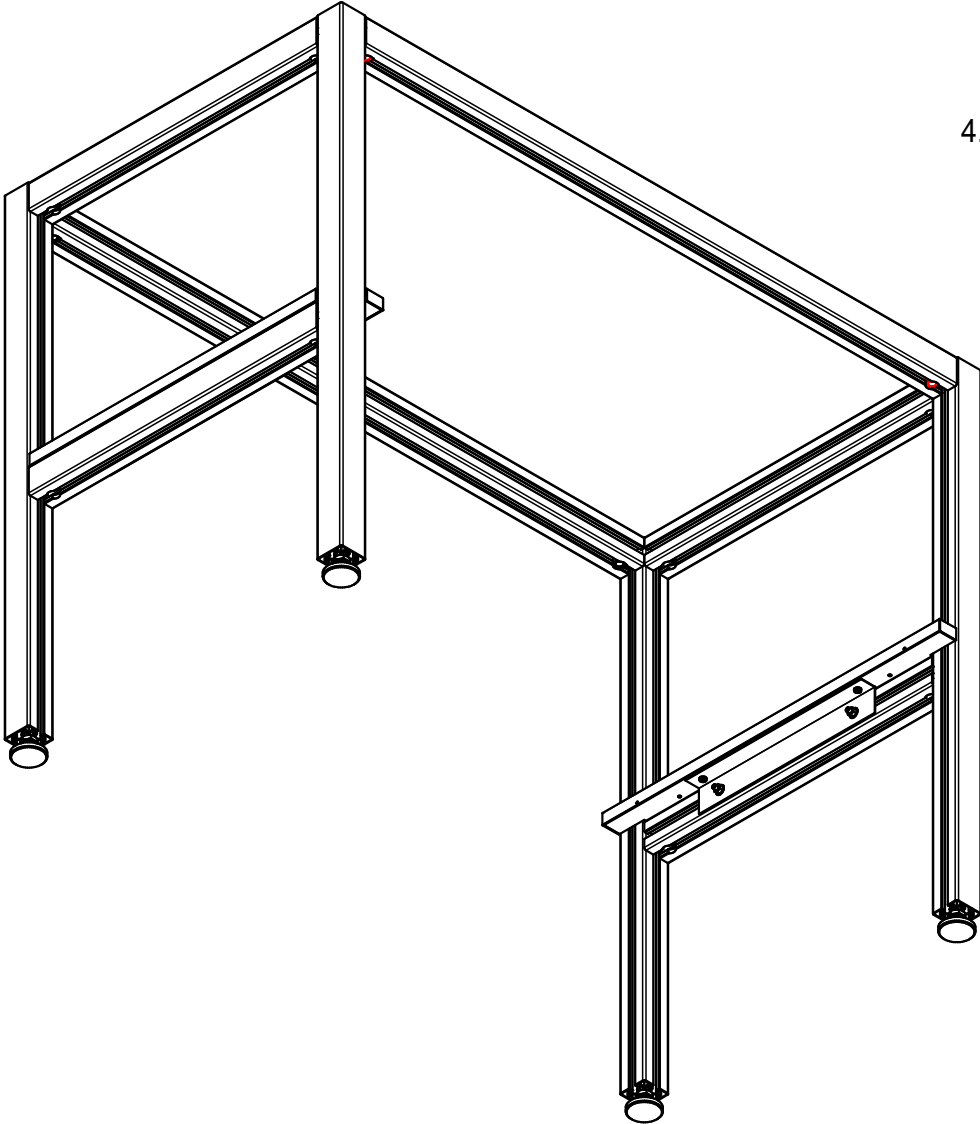


3. Slide Connectors on Rail into Channels on Legs.

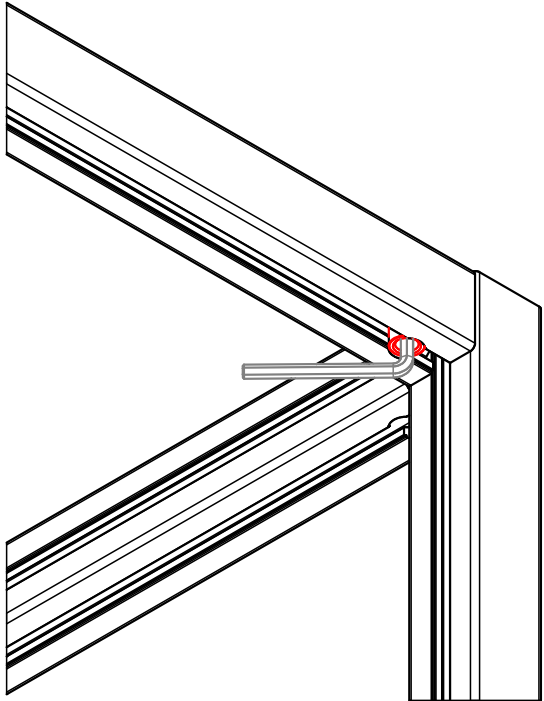


# ASSEMBLY: Single Kitchen Section

---



4. Align Rail Flush with Top of Leg and Tighten Connectors (2x).

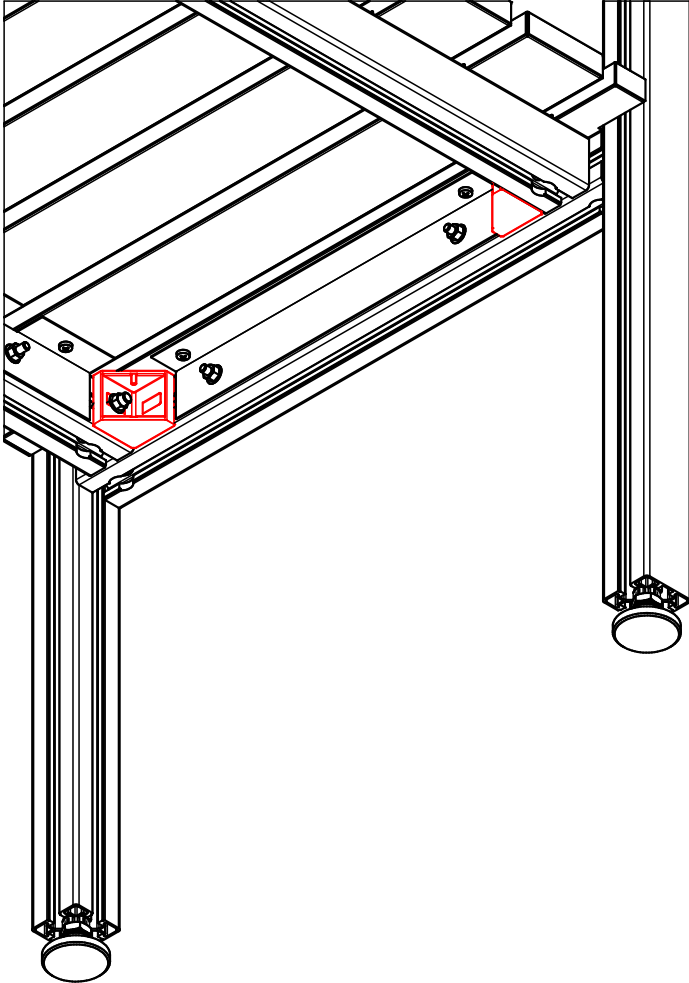
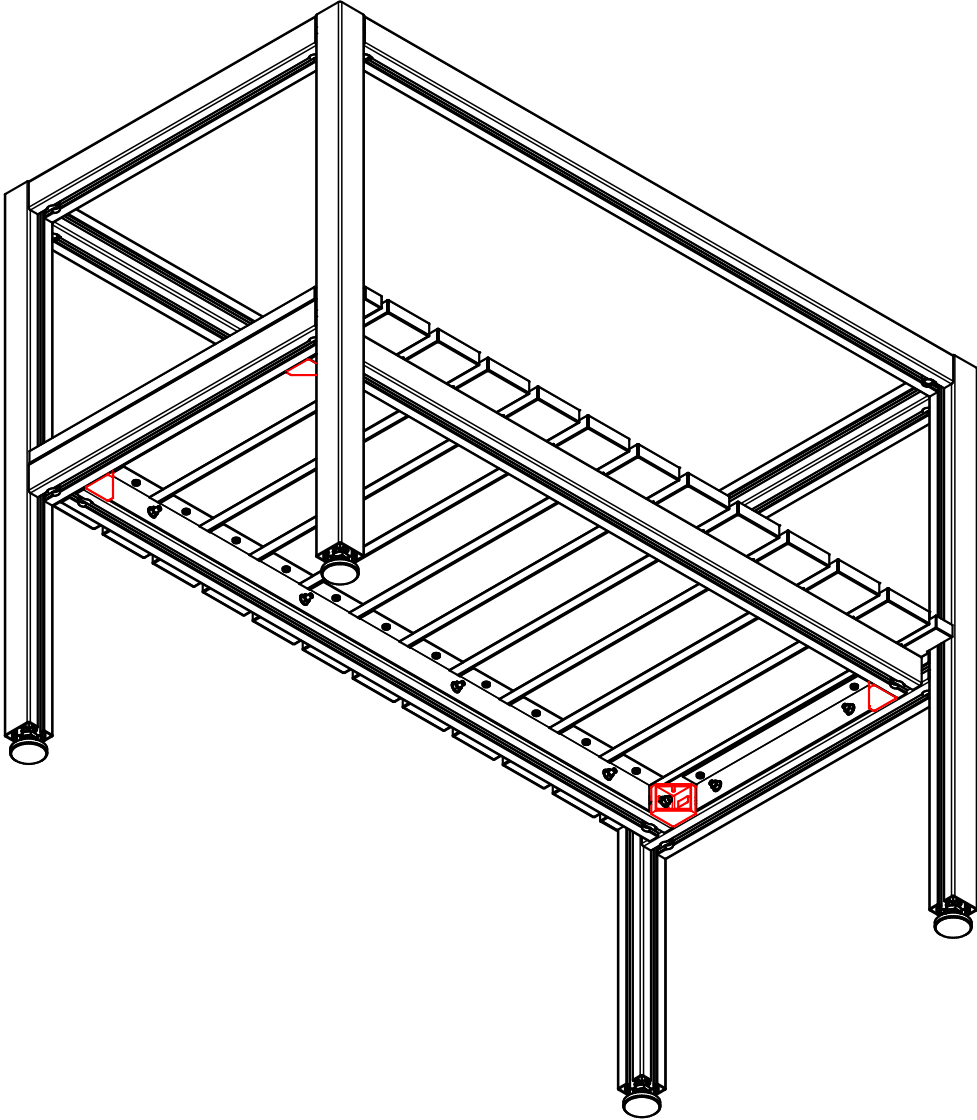




# ASSEMBLY: Single Kitchen Section

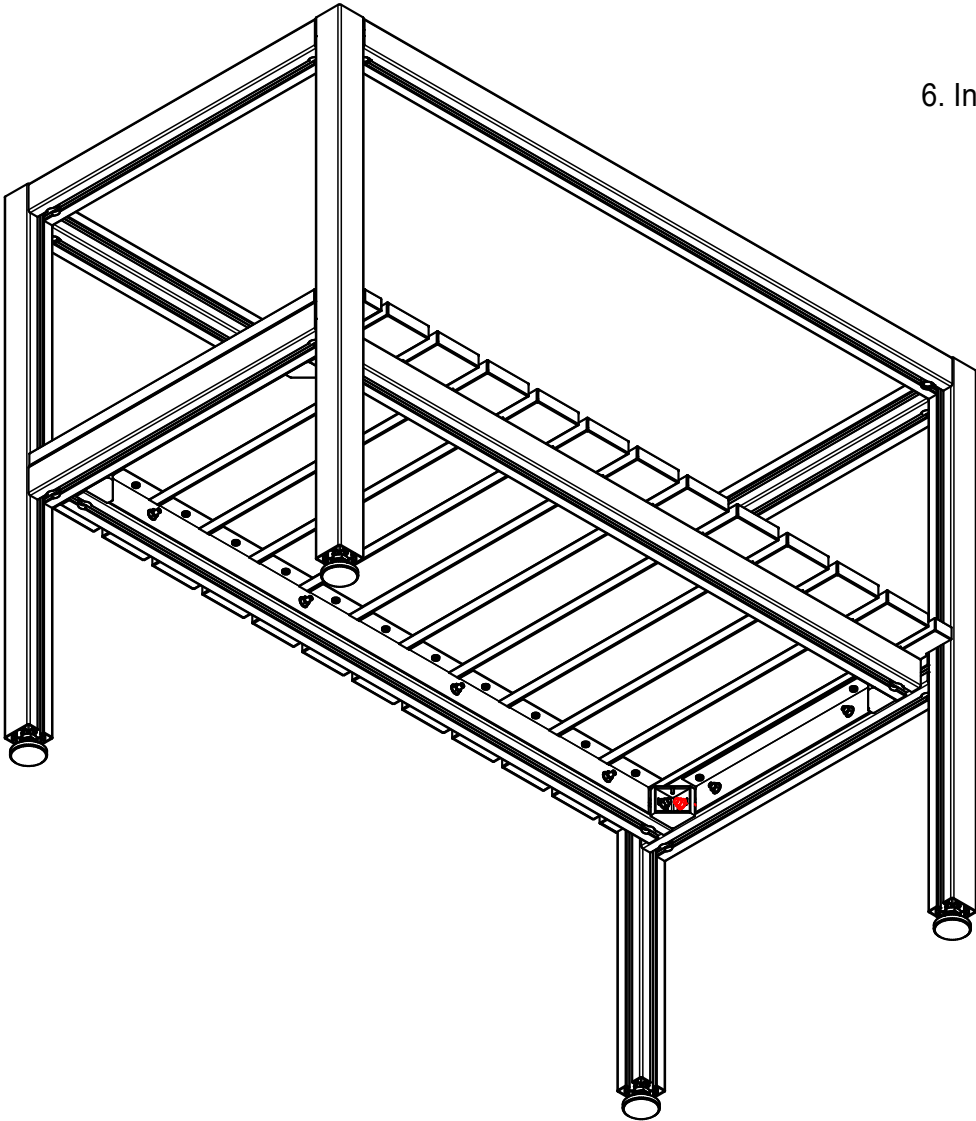
---

5. Align Gussets on Shelf with Lower Crossmembers on Ends.

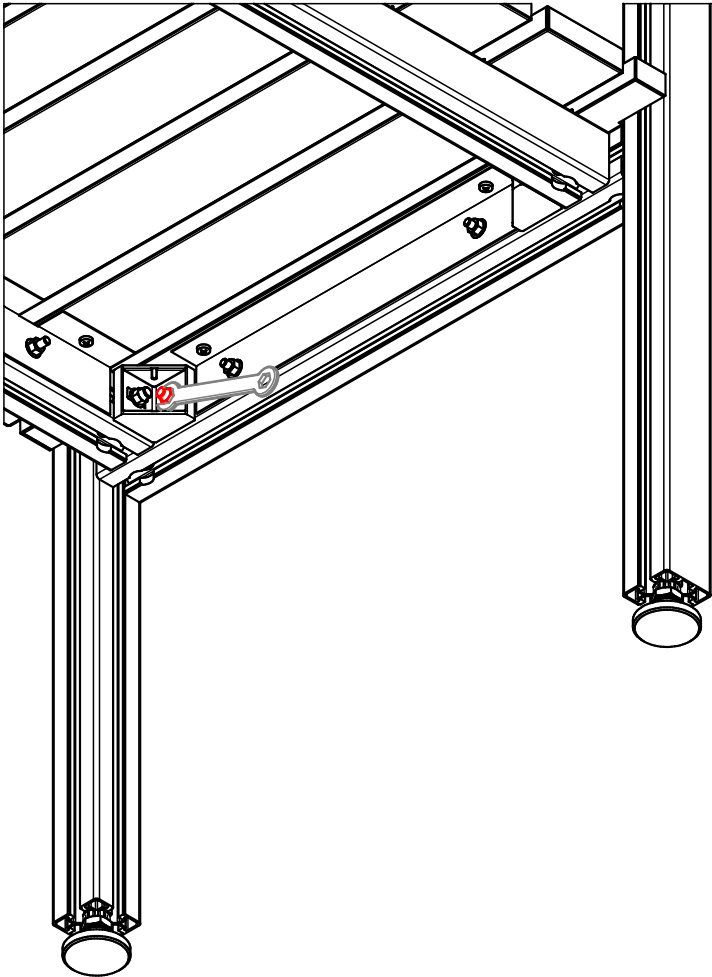


# ASSEMBLY: Single Kitchen Section

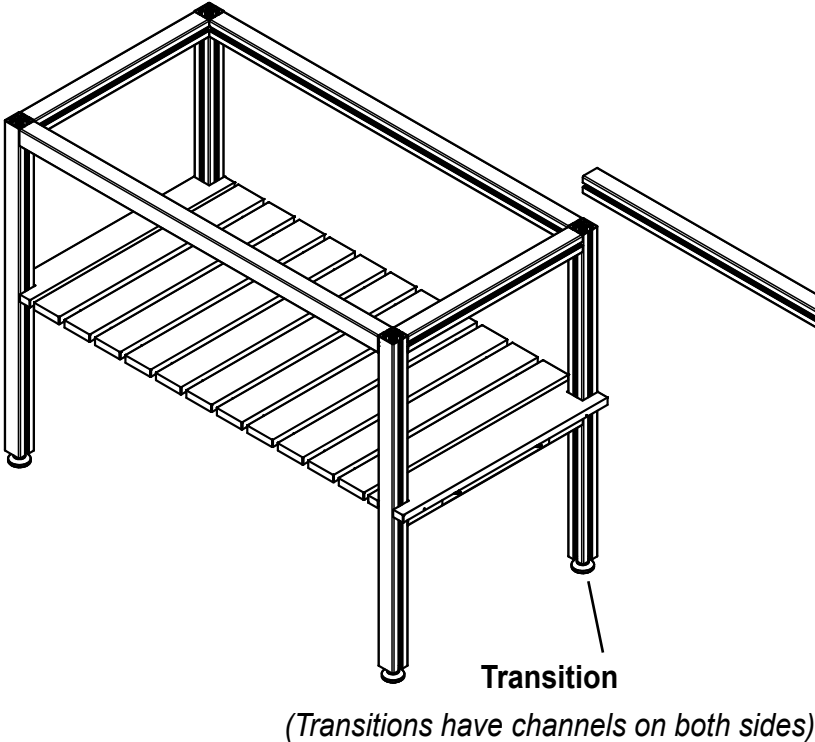
---



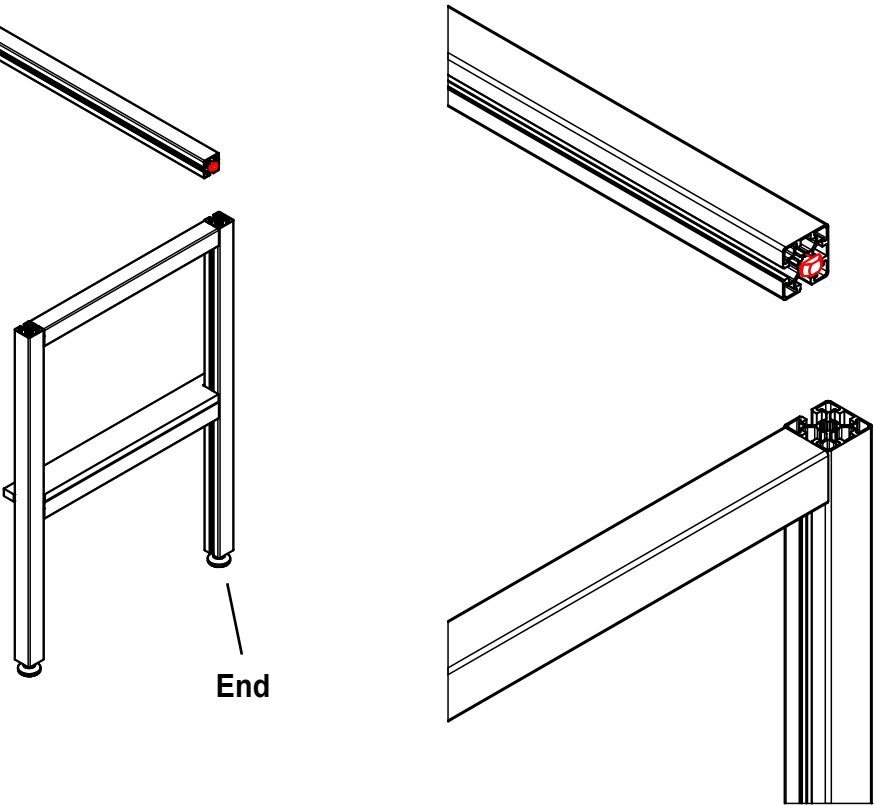
6. Insert T-Bolts (4x) into Gussets. Secure with M8 Flange Nuts (4x)



# ASSEMBLY: Attaching Kitchen Sections



1. Slide Connectors on Rail into Channels on Legs.

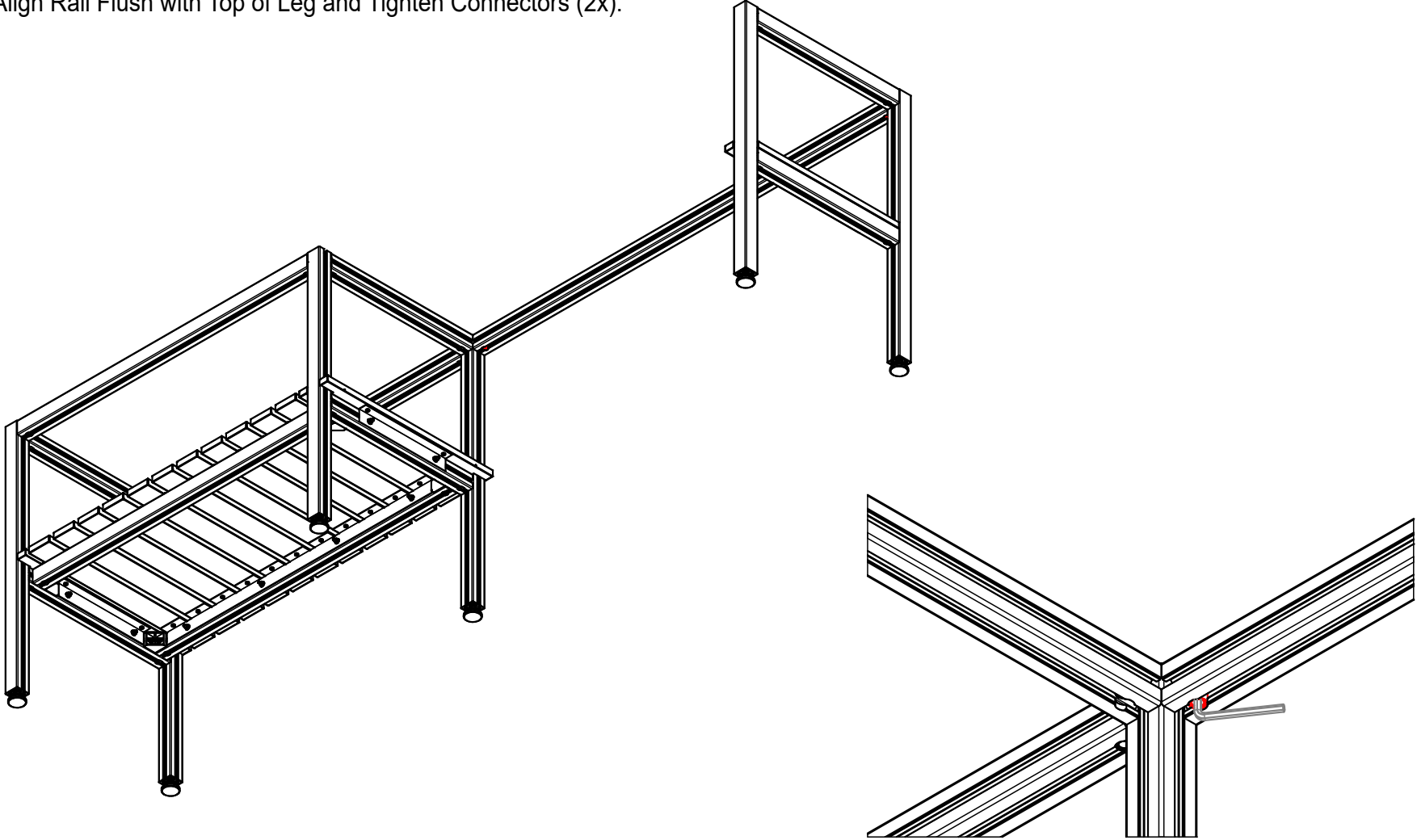


Two people are required for this step

# ASSEMBLY: Attaching Kitchen Sections

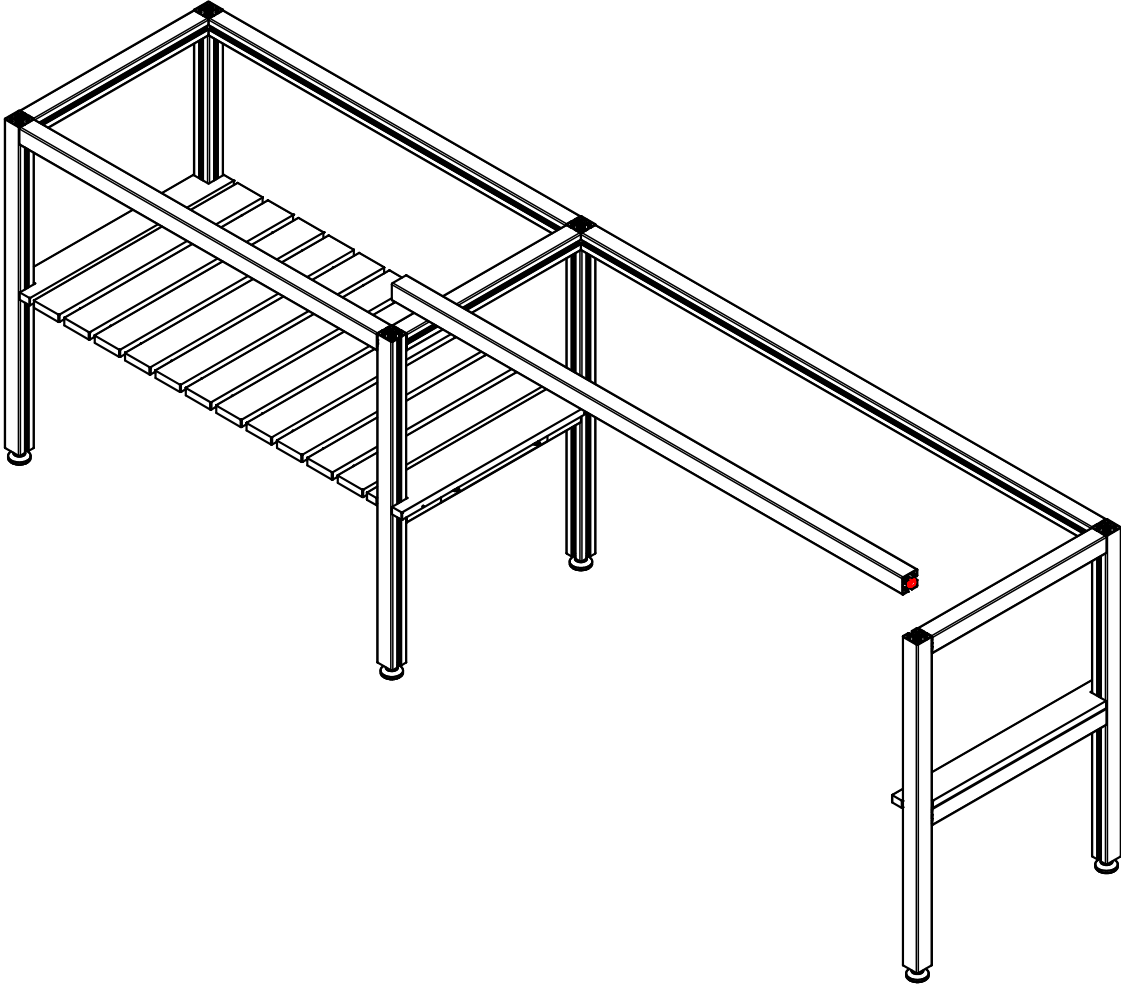
---

2. Align Rail Flush with Top of Leg and Tighten Connectors (2x).

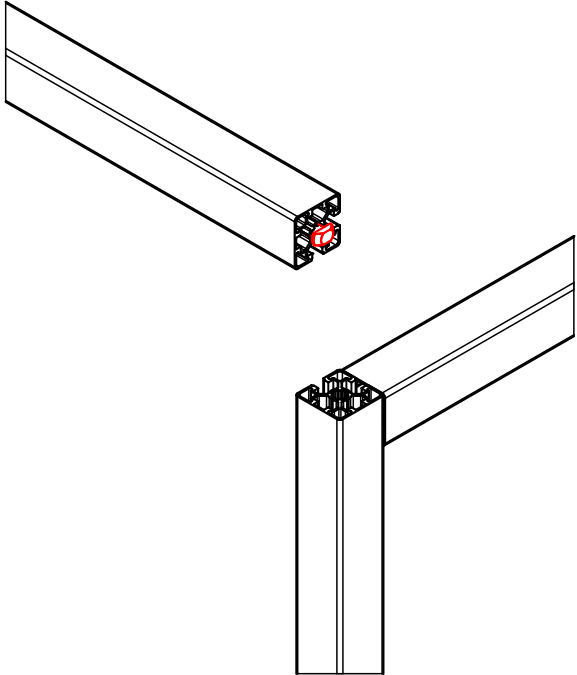


# ASSEMBLY: Attaching Kitchen Sections

---



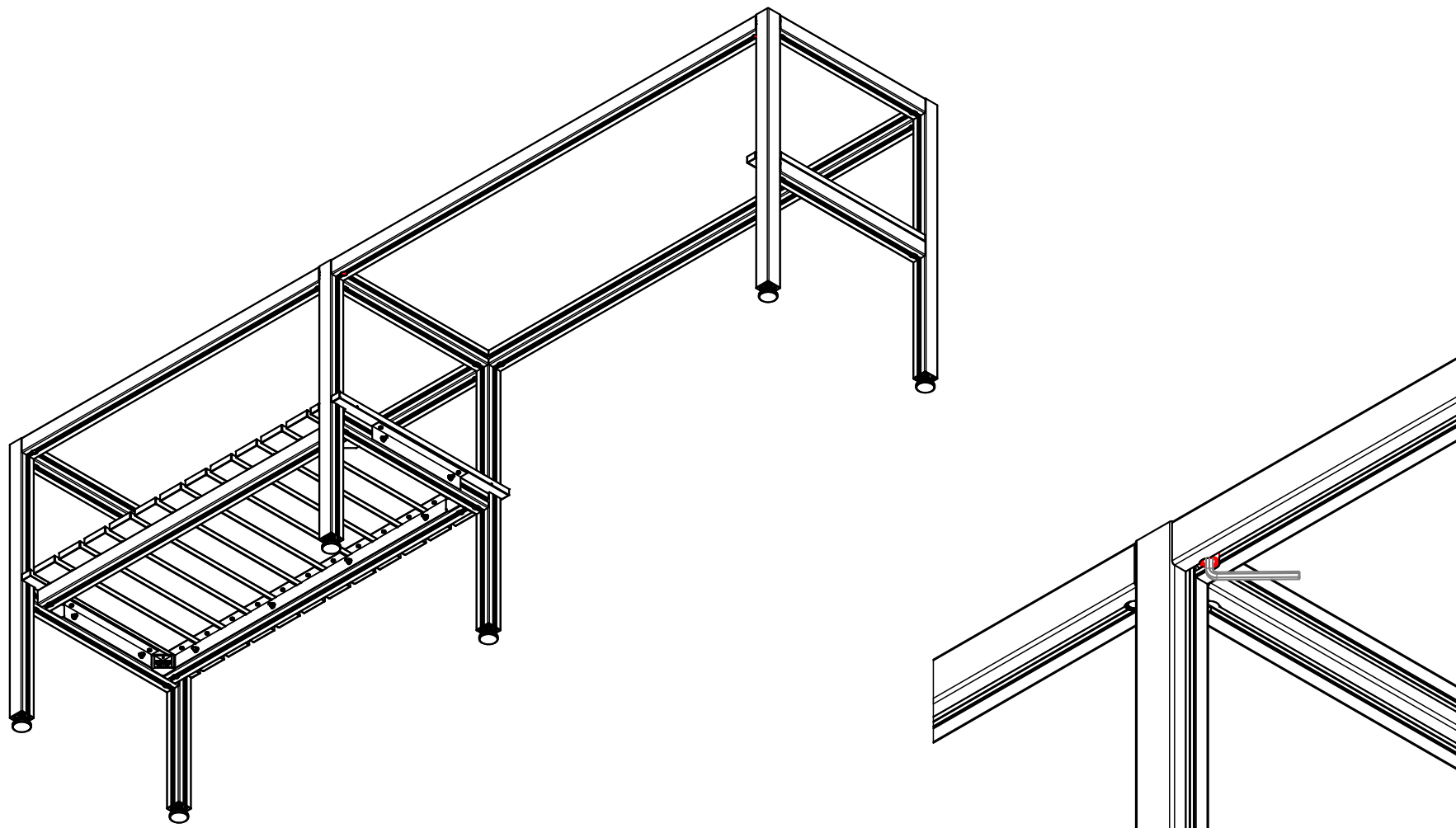
3. Slide Connectors on Rail into Channels on Legs.



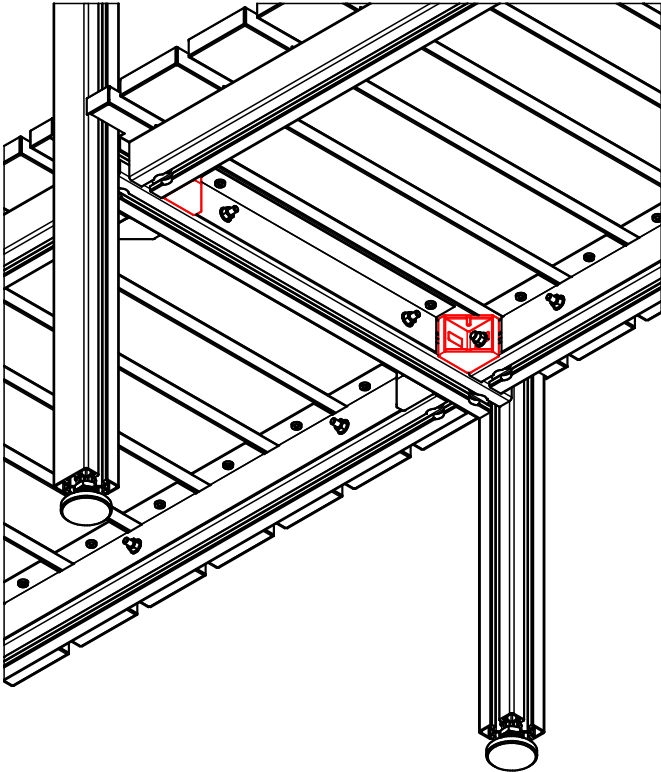
# ASSEMBLY: Attaching Kitchen Sections

---

4. Align Rail Flush with Top of Leg and Tighten Connectors (2x).



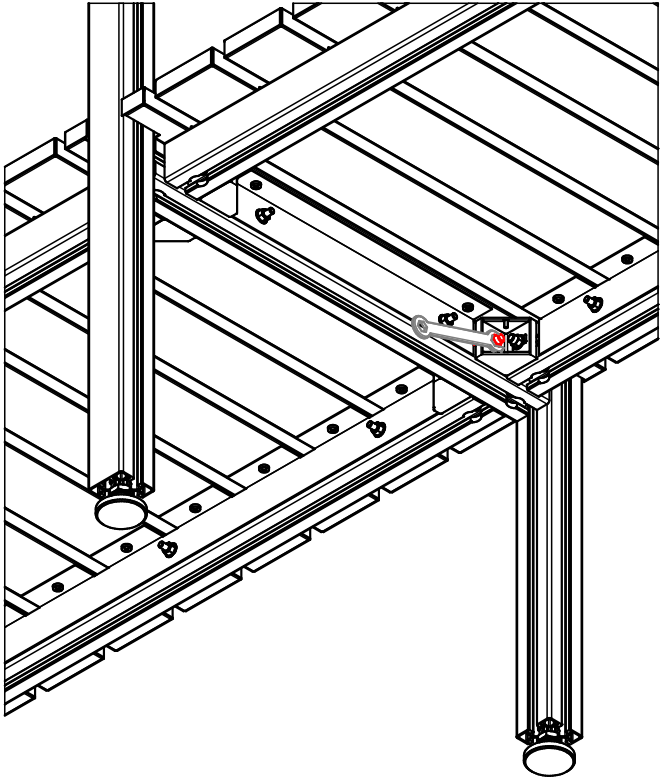
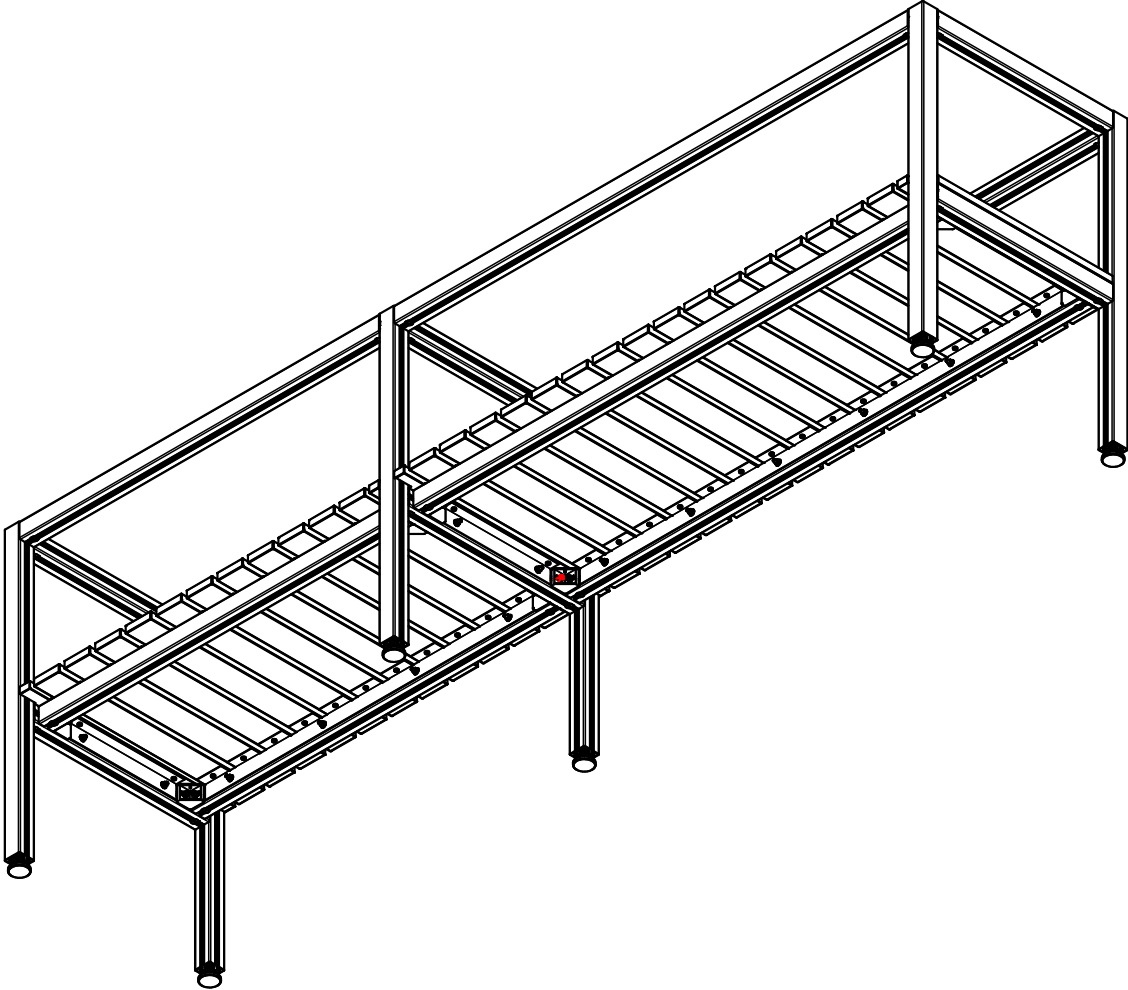
# ASSEMBLY: Attaching Kitchen Sections



5. Align Gussets on Shelf with Lower Crossmembers on Ends.

# ASSEMBLY: Attaching Kitchen Sections

---

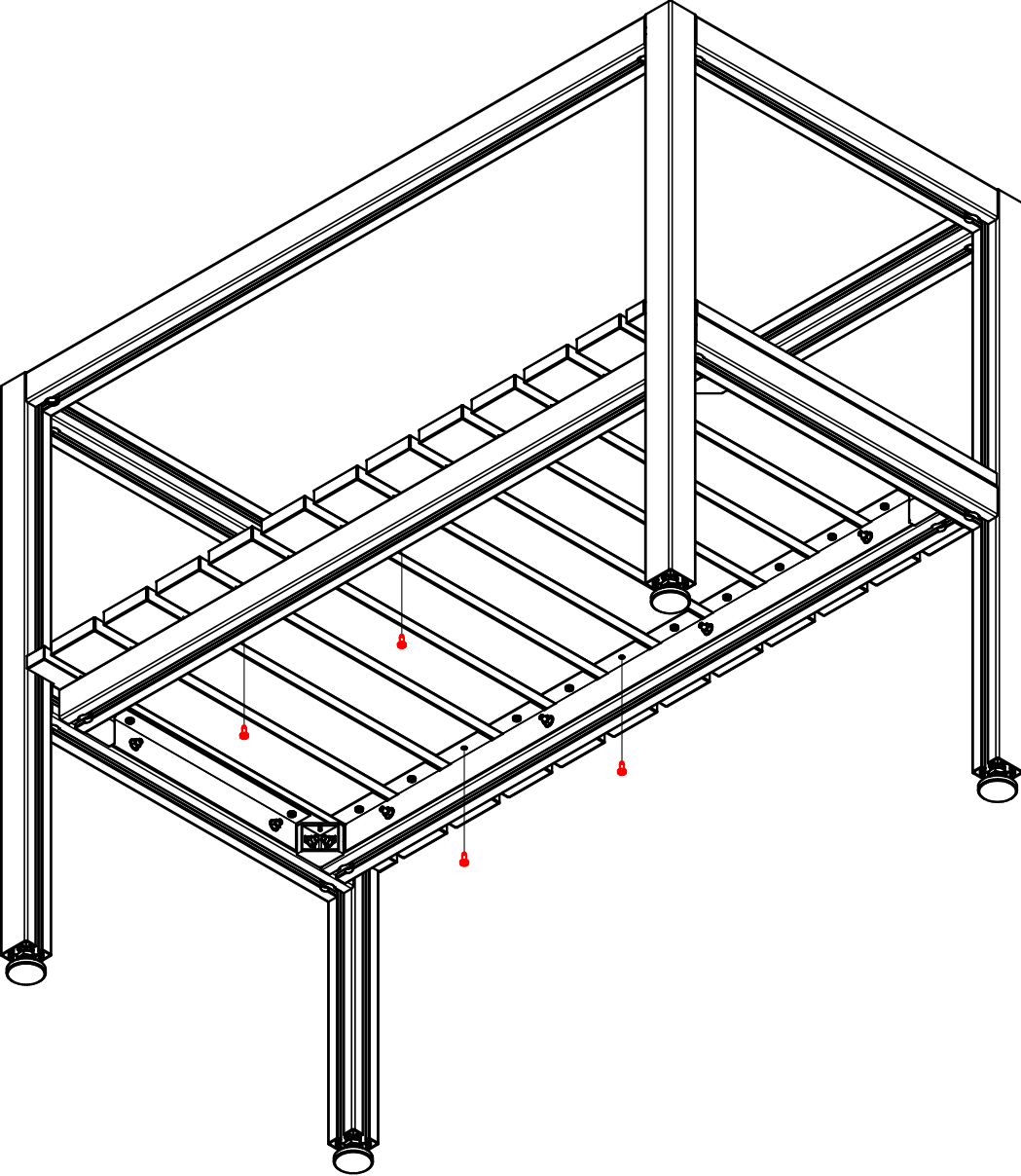


6. Insert T-Bolts (4x) into Gussets. Secure with M8 Flange Nuts (4x)



# ASSEMBLY: Attaching Shelf Accessory

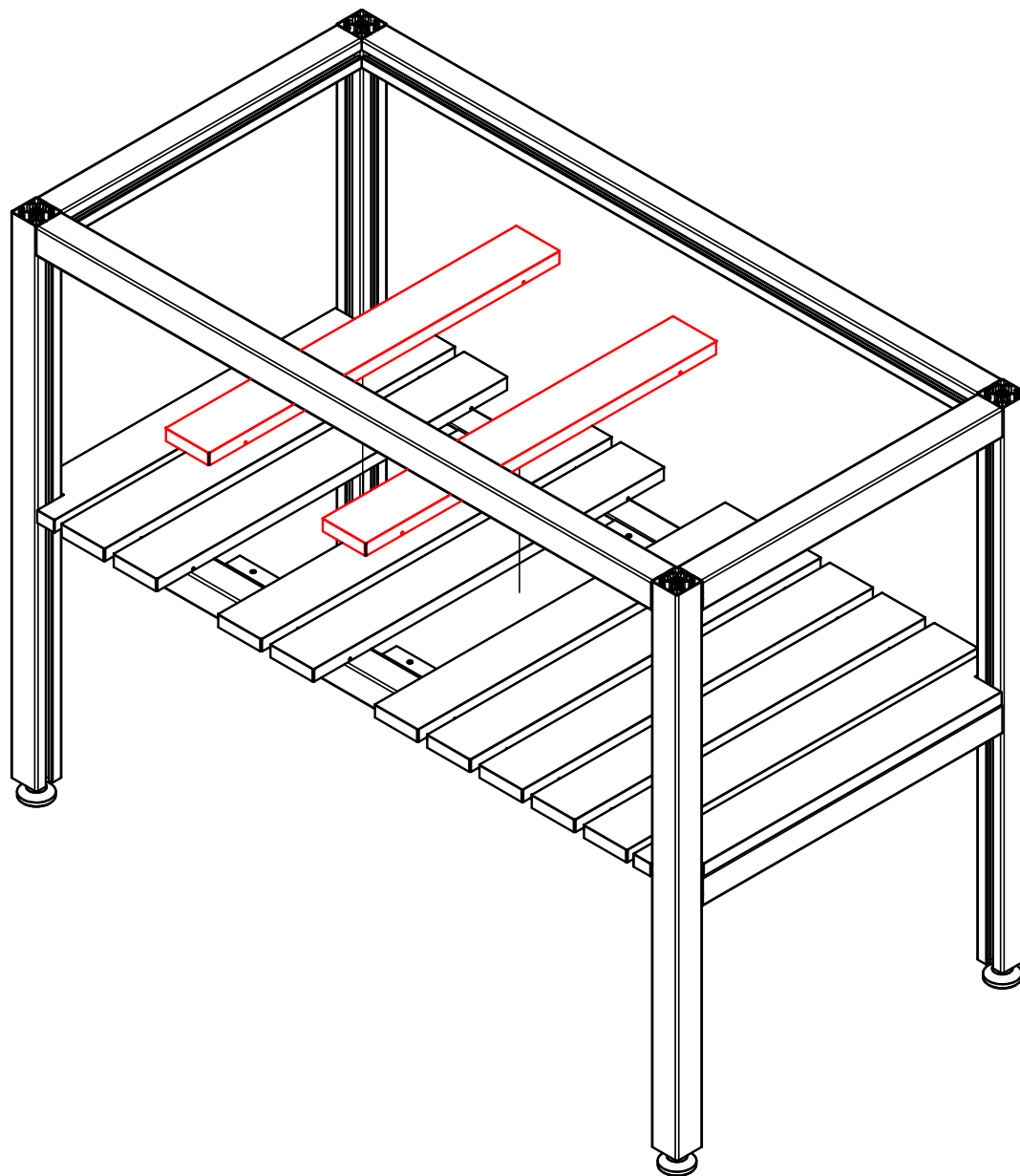
---



1. Remove Screws (4x) from Required Slats.

## ASSEMBLY: Attaching Shelf Accessory

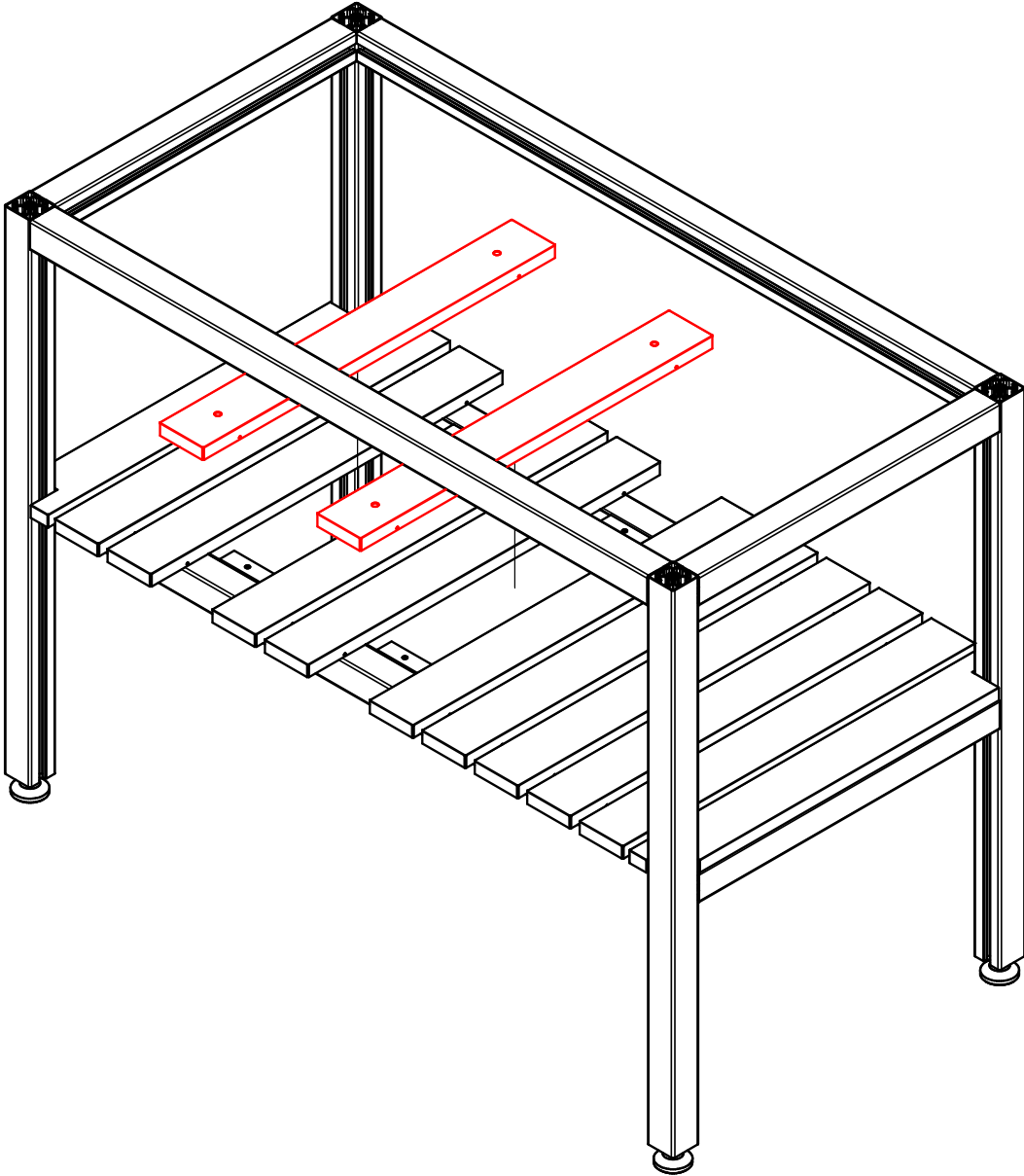
---



2. Remove Original Slats from Shelf.

# ASSEMBLY: Attaching Shelf Accessory

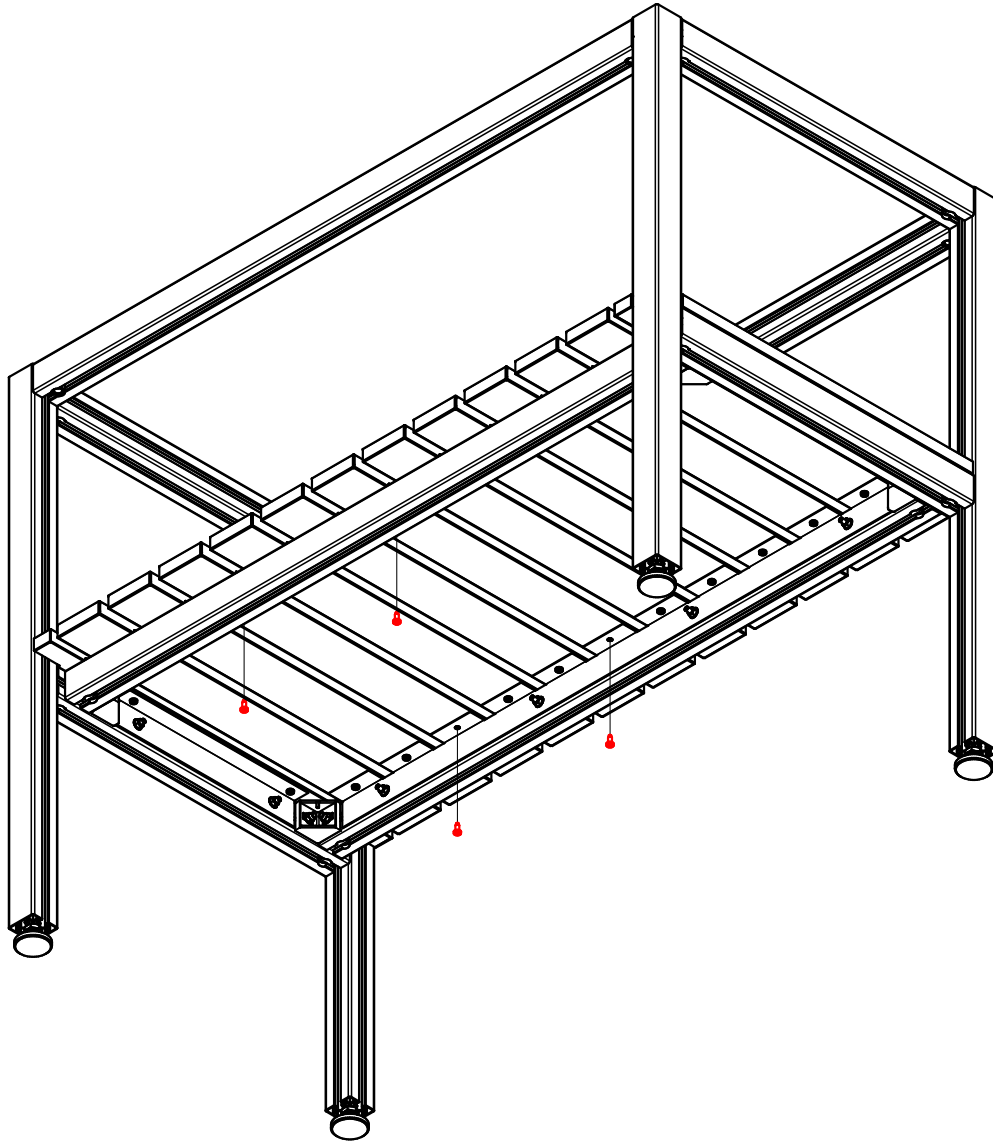
---



3. Place Attachment Slats on Shelf

## ASSEMBLY: Attaching Shelf Accessory

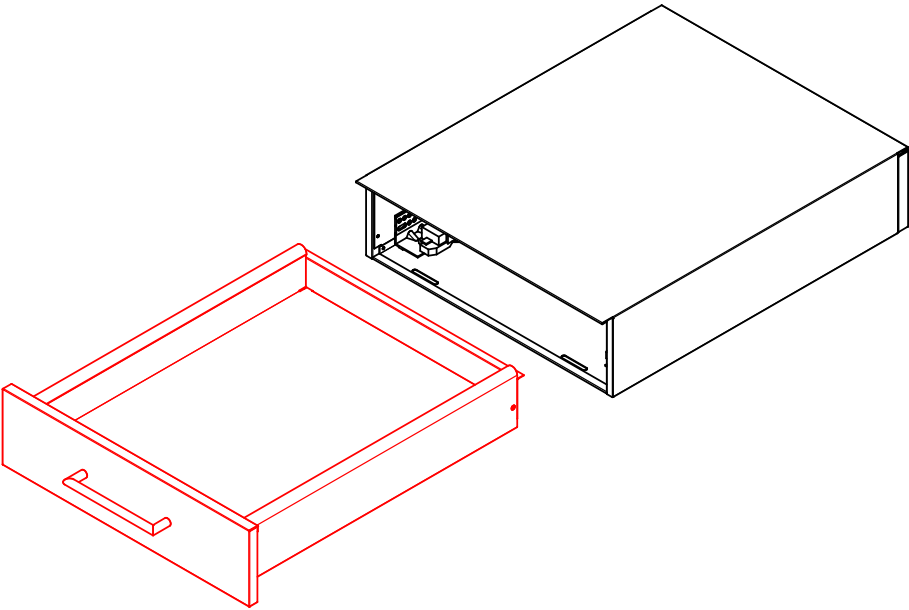
---



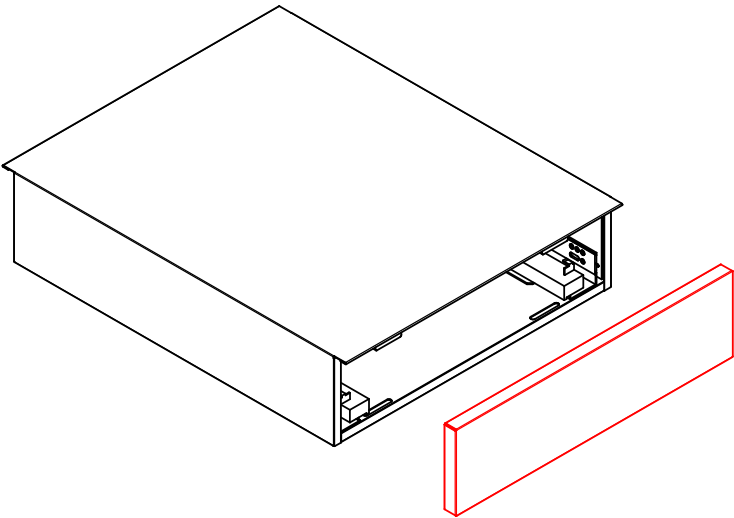
4. Fasten Attachment Slats to Shelf with Screws (4x).

# ASSEMBLY: Attaching Shelf Accessory

---



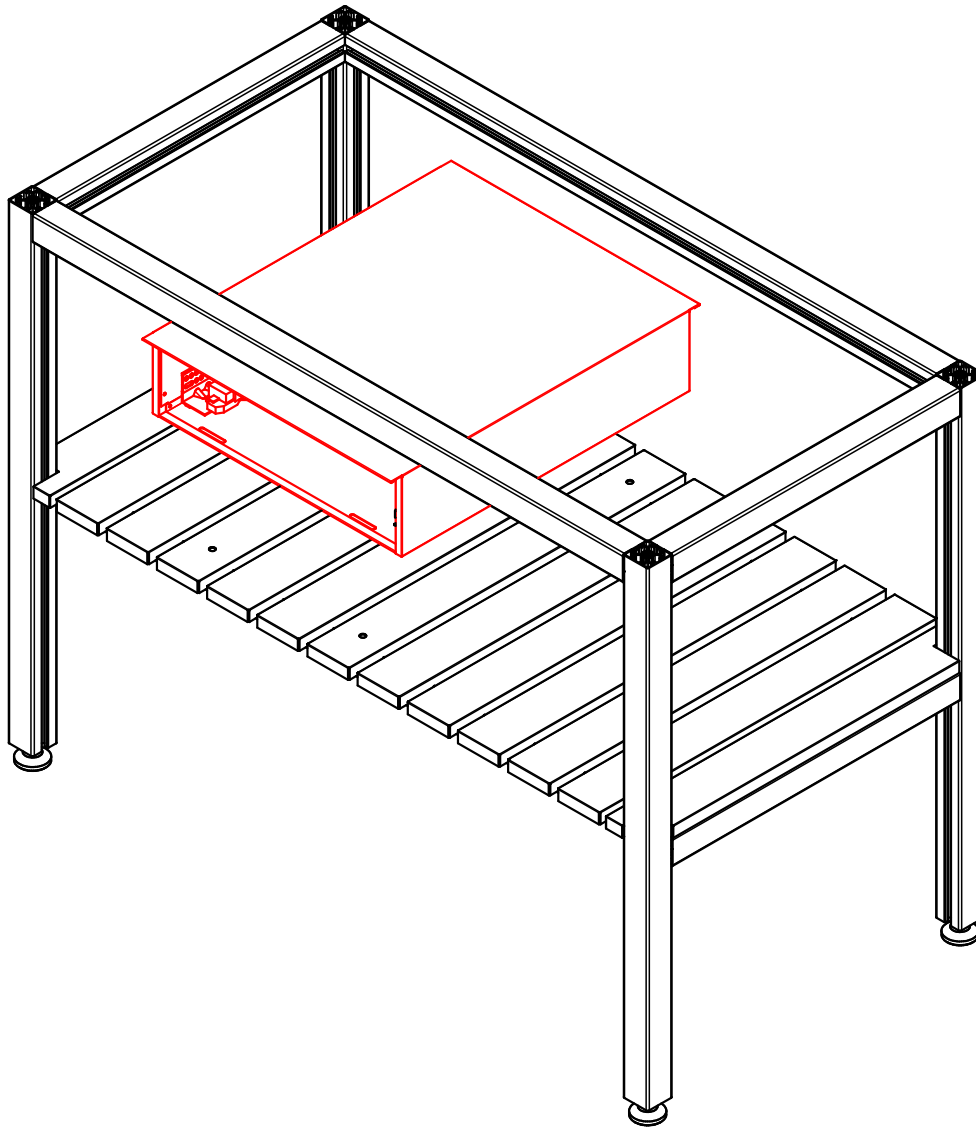
5. Remove Drawer(s) from Storage Box.



6. Remove Magnetic Back Panel from Storage Box.

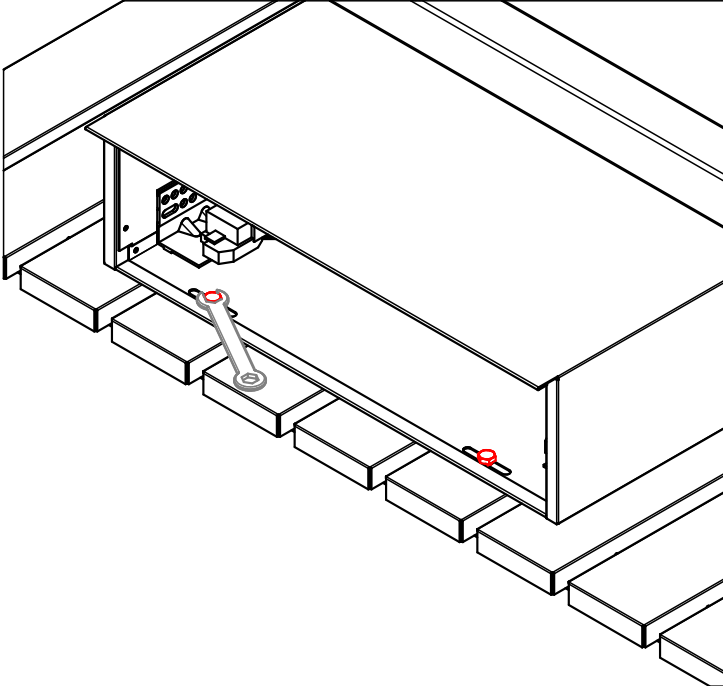
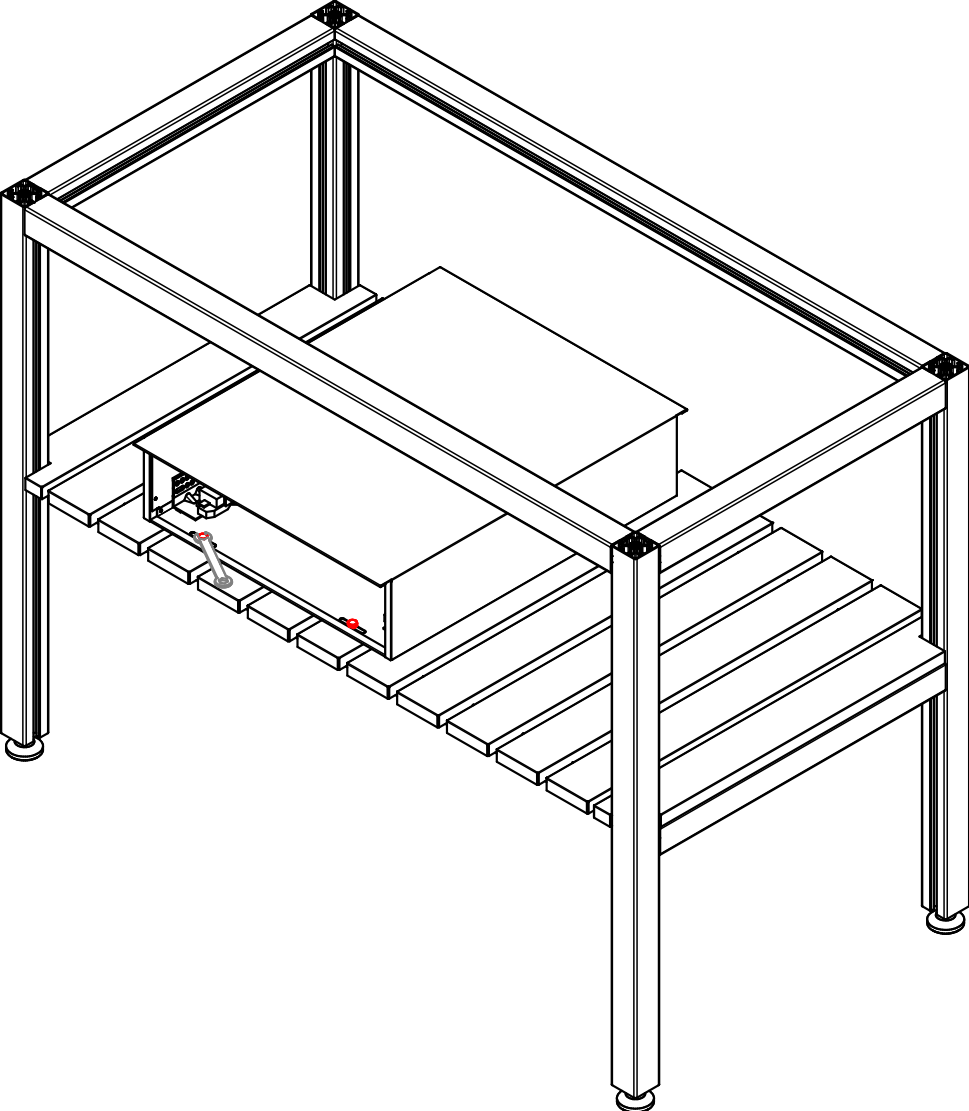
## ASSEMBLY: Attaching Shelf Accessory

---



7. Place Storage Box on Shelf, Align Slots on Bottom of Storage Box with Holes on Attachment Slats.

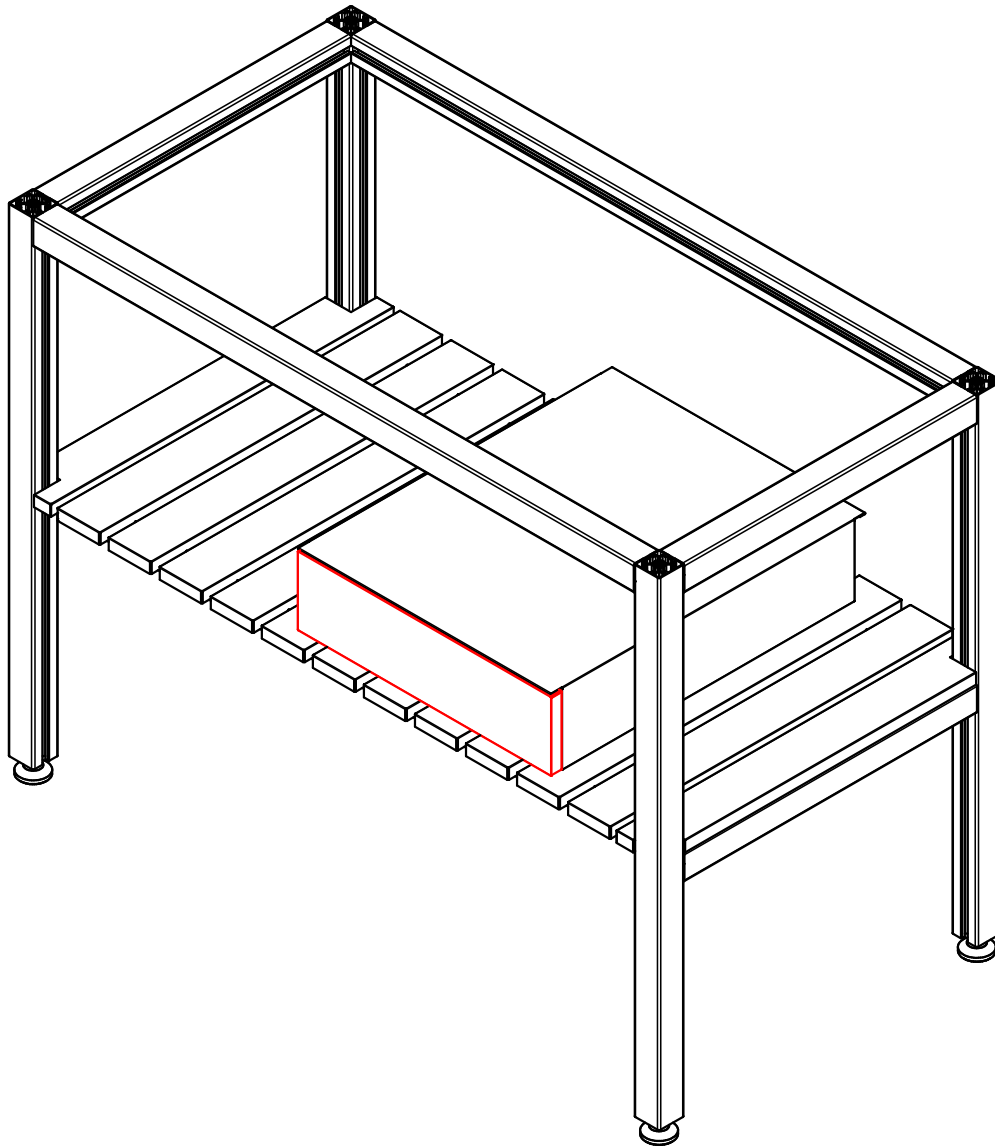
# ASSEMBLY: Attaching Shelf Accessory



8. Fasten Storage Box to Shelf using 1/4-20 Bolts (4x).

## ASSEMBLY: Attaching Shelf Accessory

---

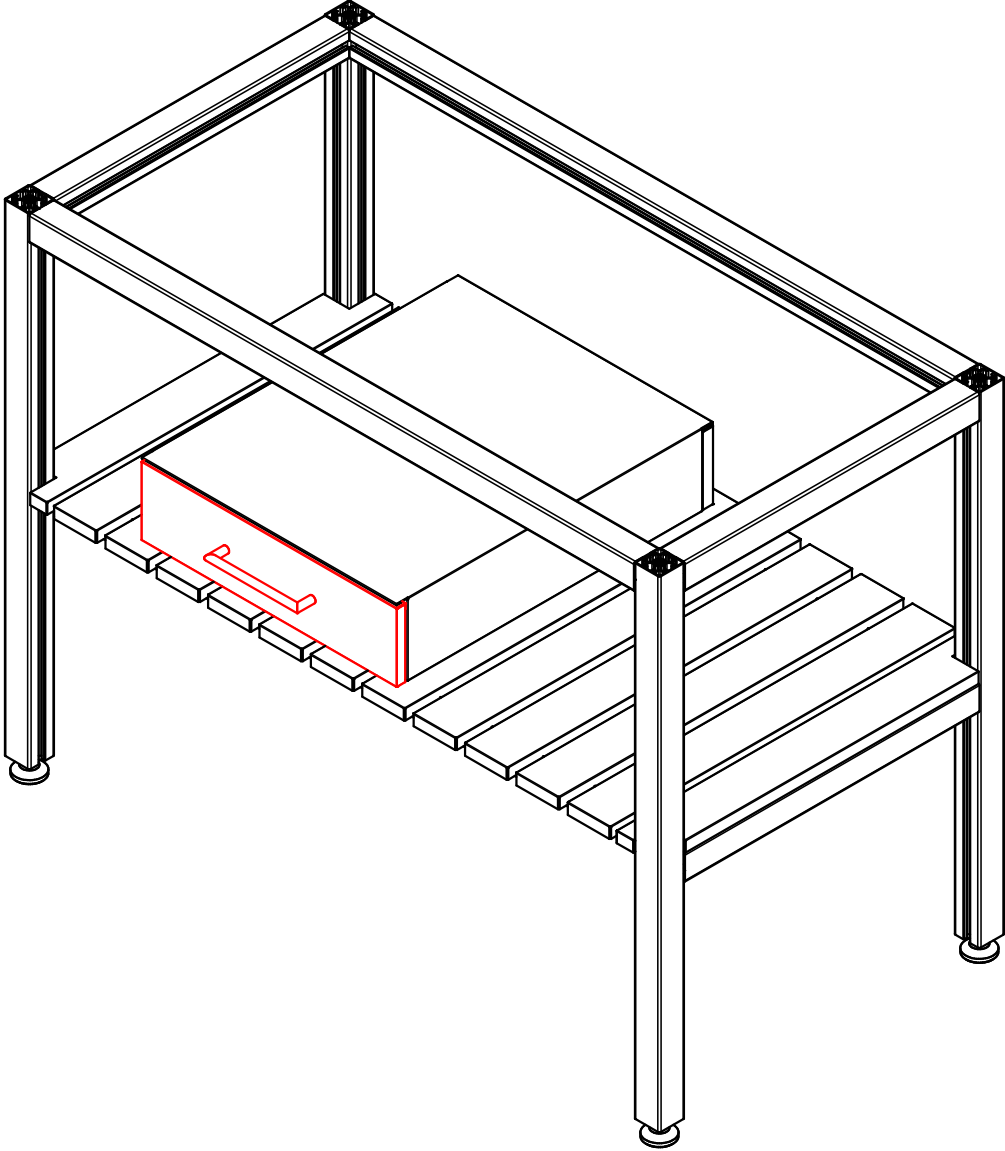


9. Reattach Magnetic Back Panel to Storage Box.



# ASSEMBLY: Attaching Shelf Accessory

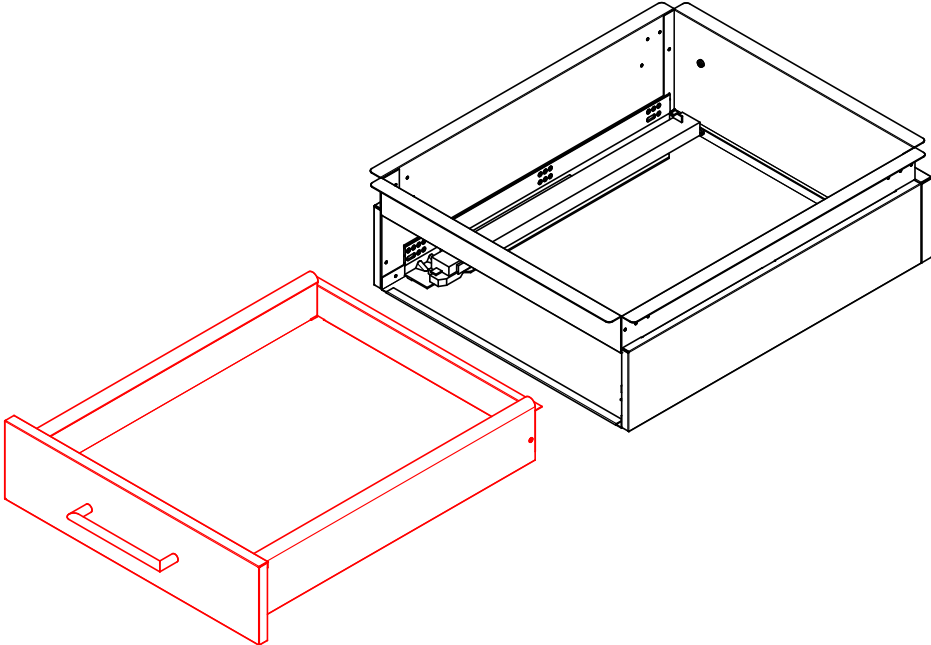
---



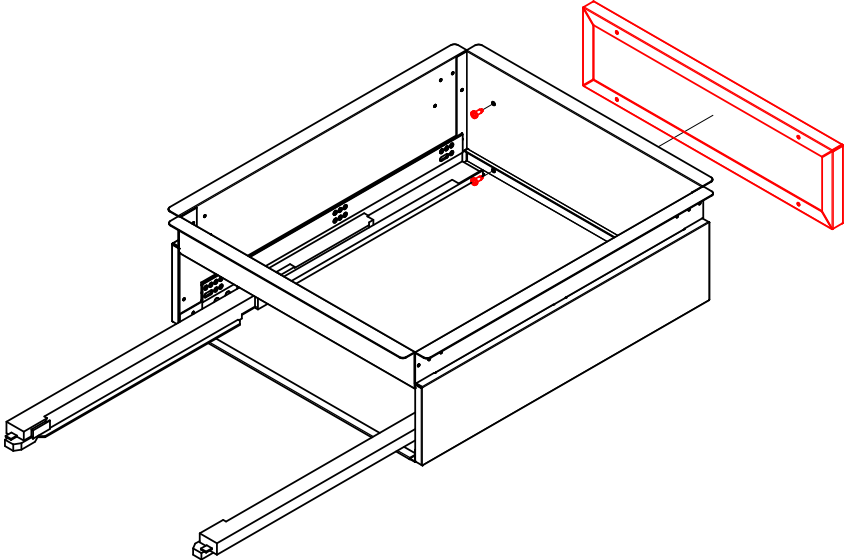
10. Reattach Drawers to Storage Box.

# ASSEMBLY: Attaching Top Mount Accessory

---



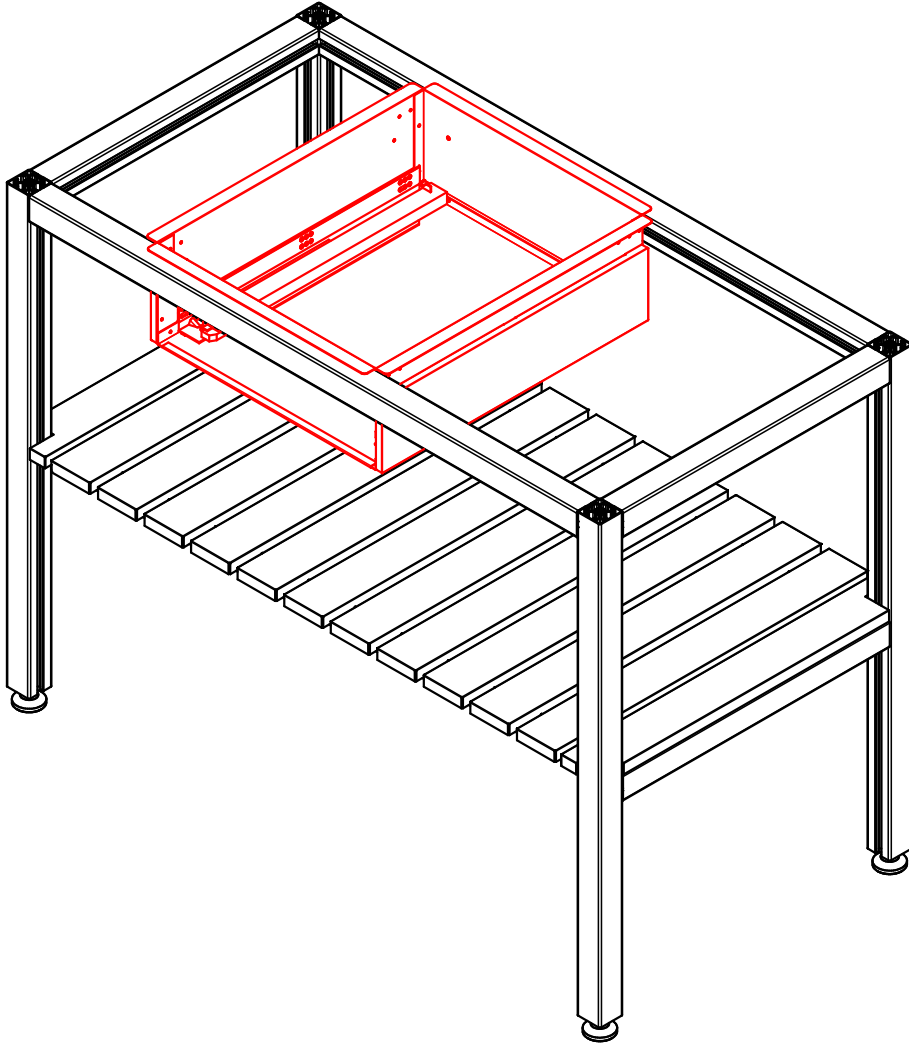
1. Remove Drawer from Storage Box.



2. Remove #10 Screws (4x) from back, remove back panel.

## ASSEMBLY: Attaching Top Mount Accessory

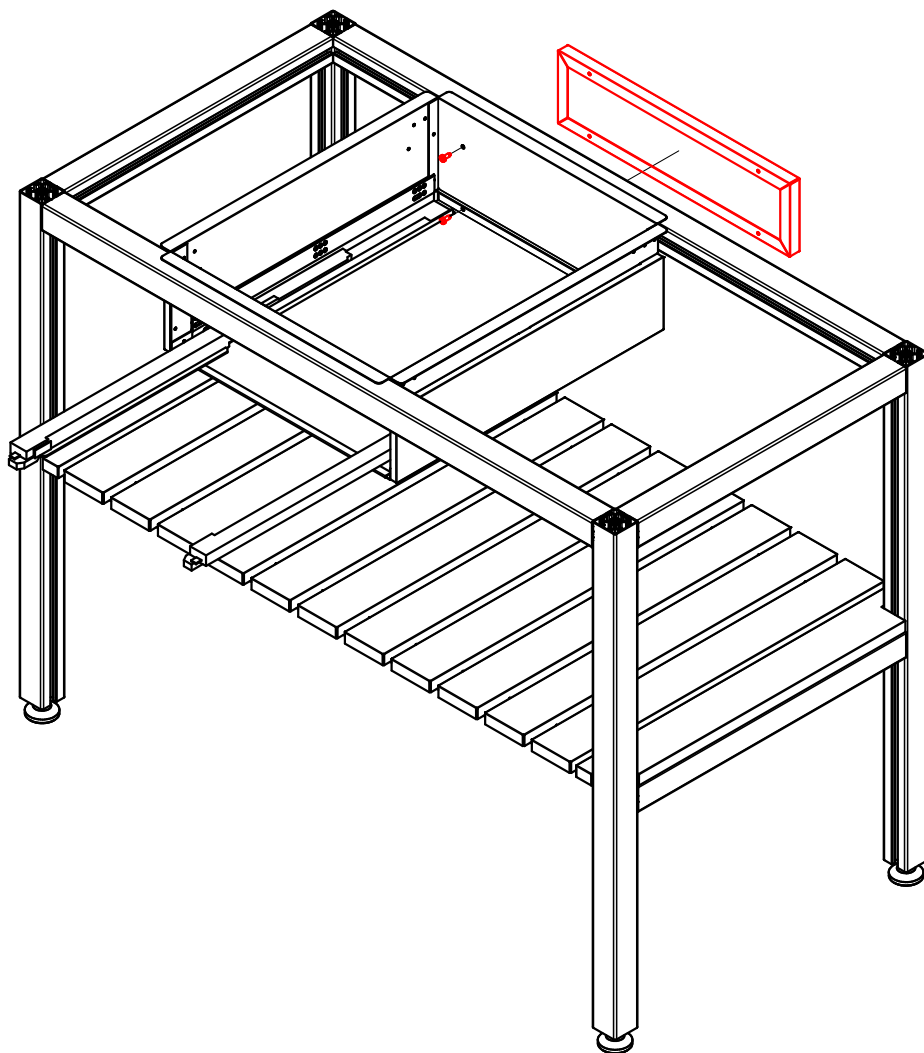
---



3. Place Top-Mounted Accessory between Upper Rails.

## ASSEMBLY: Attaching Top Mount Accessory

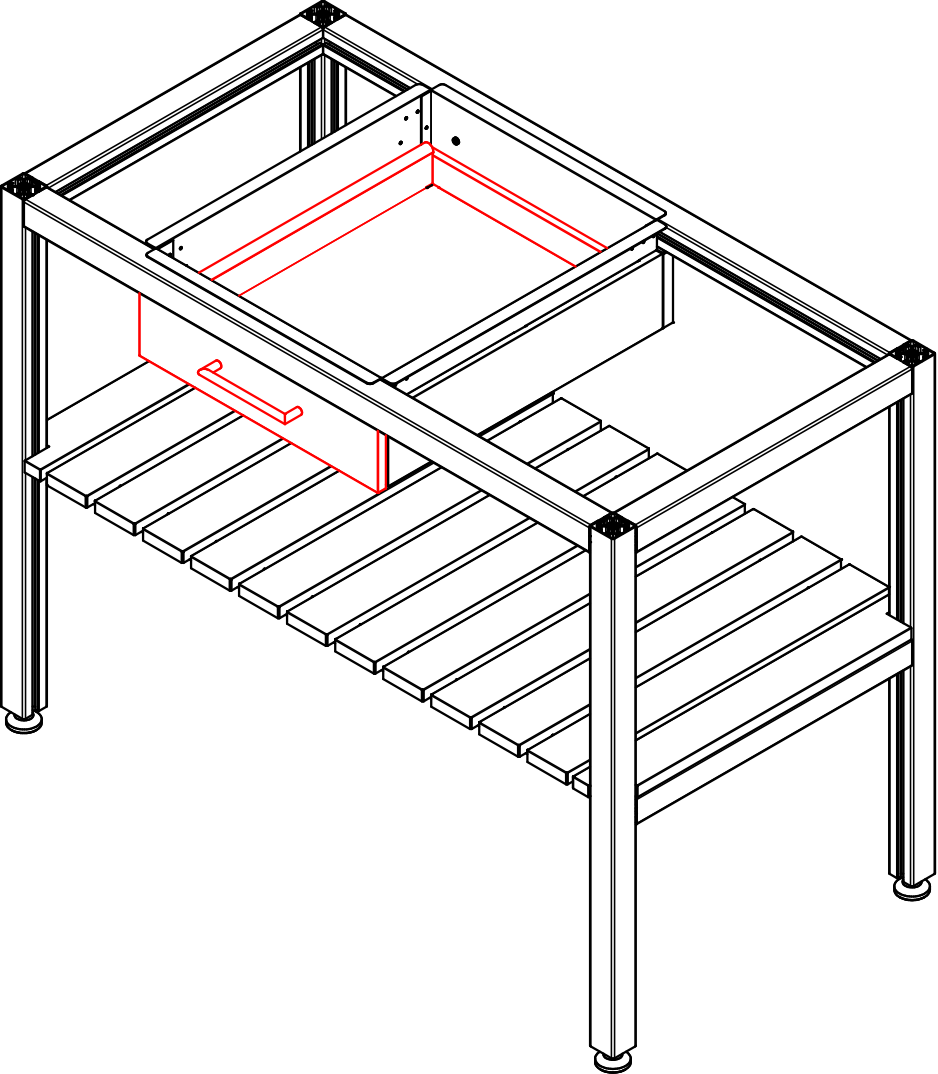
---



4. Reattach Back Panel using #10 Screws (4x).

# ASSEMBLY: Attaching Top Mount Accessory

---



5. Reattach Drawer to Storage Box.

